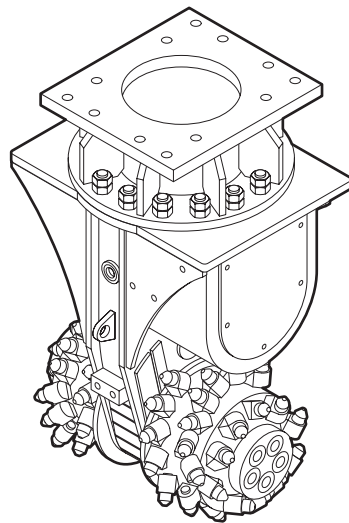


ER 2000 X

Spare parts list Transverse Drum Cutters

ER 2000 X s/n DGR264274 -



General information

This spare parts list applies to the following:

Description

ER 2000 - 1 X

ER 2000 - 2 X

ER 2000 - 3 X

Use only authorized parts. Any damage or malfunction caused by the use of unauthorized parts is not covered by Warranty or Product Liability. Any unauthorized use or copying of the contents or any part thereof is prohibited. This applies in particular to trademarks, model denominations, part numbers, and drawings.

Instructions for use

This spare parts list contains no safety regulations and is merely intended to assist in the ordering of spare parts.

For information about operating, servicing, or repairing, the relevant Safety and operating instructions must be consulted at all costs.

Please observe the safety instructions listed in the relevant Safety and operating instructions!

Service, repair and wear part kits

Label kit 1

Mechanical

Transverse Drum Cutter, part 13
Transverse Drum Cutter, part 27
Transverse Drum Cutter, part 39
HATCON 11
Tightening torques 13
Dimensions 15

Options / accessories

Picks and retainers kits 16
Tools for picks 21
Optional equipment 23

Service, repair and wear part kits Label kit

NO EXPLODED VIEW
AVAILABLE
FOR THIS BOM

Item	Part No.	Name	Qty	L
KIT	3311004677	Label kit	1	

Item	Part No.	Name	Qty	L
1	3311003071	Cutter drum (left)	1	
4	3311000583	Plug	2	
5	3311000584	Seal	2	
10	3311002534	Output shaft	2	
11	3311000585	Lock ring	3	
12	3311000389	Output cogwheel	1	
13	3311002335	Housing (output shaft)	2	
14	3311000326	Sealing cover	2	
15	3311000951	Rotatable upper part	1	
16	3311000654	Lock ring	4	
18	3311000586	Inner race (tapered roller bearing)	4	
19	3311000588	Outer race (tapered roller bearing)	4	
20	3311000589	Seal	2	
21	3311004173	Shaft nut	2	
23	3311002498	Allen screw	48	
24	3311000628	Allen screw	16	
25	3311000591	Allen screw	8	
26	3311000592	Usit-ring	24	
27	3311000593	O-ring	2	
28	3311000594	O-ring	2	
30	3311000390	Bolt	1	
31	3311000391	Idle cogwheel	1	
32	3311000392	Cover	1	
35	3311000655	Cylindrical roller bearing	2	
37	3311000557	Allen screw	14	
38	3311000656	O-ring	2	
39	3311000651	O-ring	1	
40	3311000682	Allen screw	32	
45	3311000393	Drive shaft	1	
47	3311000394	Spur gear	1	
48	3311001598	Cover	1	
49	3311000395	Flange (motor)	1	
53	3311000689	Tapered roller bearing	1	
54	3311000657	Tapered roller bearing	1	
59	3311000658	O-ring	1	
60	3311000691	O-ring	1	
63	3311000692	Seal	1	

Item	Part No.	Name	Qty	L
65	3311001204	Motor complete	1	A
65	3311001205	Motor complete	1	B
65	3311001206	Motor complete	1	C
66	3311002938	Cover	2	
67	3311001960	Clamping sleeve	16	
68	3311002951	Cover (motor)	1	
69	3311000502	Hexagon head screw	11	
70	3311000532	Pair of lock washers	11	
71	3311000341	Centering pin	1	
72	3311000342	Plate (centering pin)	1	
73	3311002937	Allen screw	1	
74	3311001065	Allen screw	4	
75	3311001961	Allen screw	16	
76	3311000535	Hexagon head nut	16	
77	3311000507	Hexagonal screw	8	
79	3311000143	Cover (motor)	1	
81	3311001101	Distribution housing (motor)	1	
82	3311002963	Cam ring	1	A
82	3311000189	Cam ring	1	B
82	3311000190	Cam ring	1	C
83	3311001122	Cover	1	
85	3311002964	Cylinder block	1	
86	3311000203	Tension pin (motor)	2	
87	3311000502	Hexagon head screw	5	
88	3311000683	Allen screw	14	
90	3311000537	O-ring	1	
91	3311000687	O-ring	2	
92	3311000204	Fitting sleeve (motor)	2	
93	3311000505	Hex head screw	4	
94	3311000508	Hex nut	4	
500	3315439145	PROTECTIVE PLUG HATCON	4	D
580		HATCON	1	E

Comments for Page: Transverse Drum Cutter, part 1

A | ER 2000 - 1X

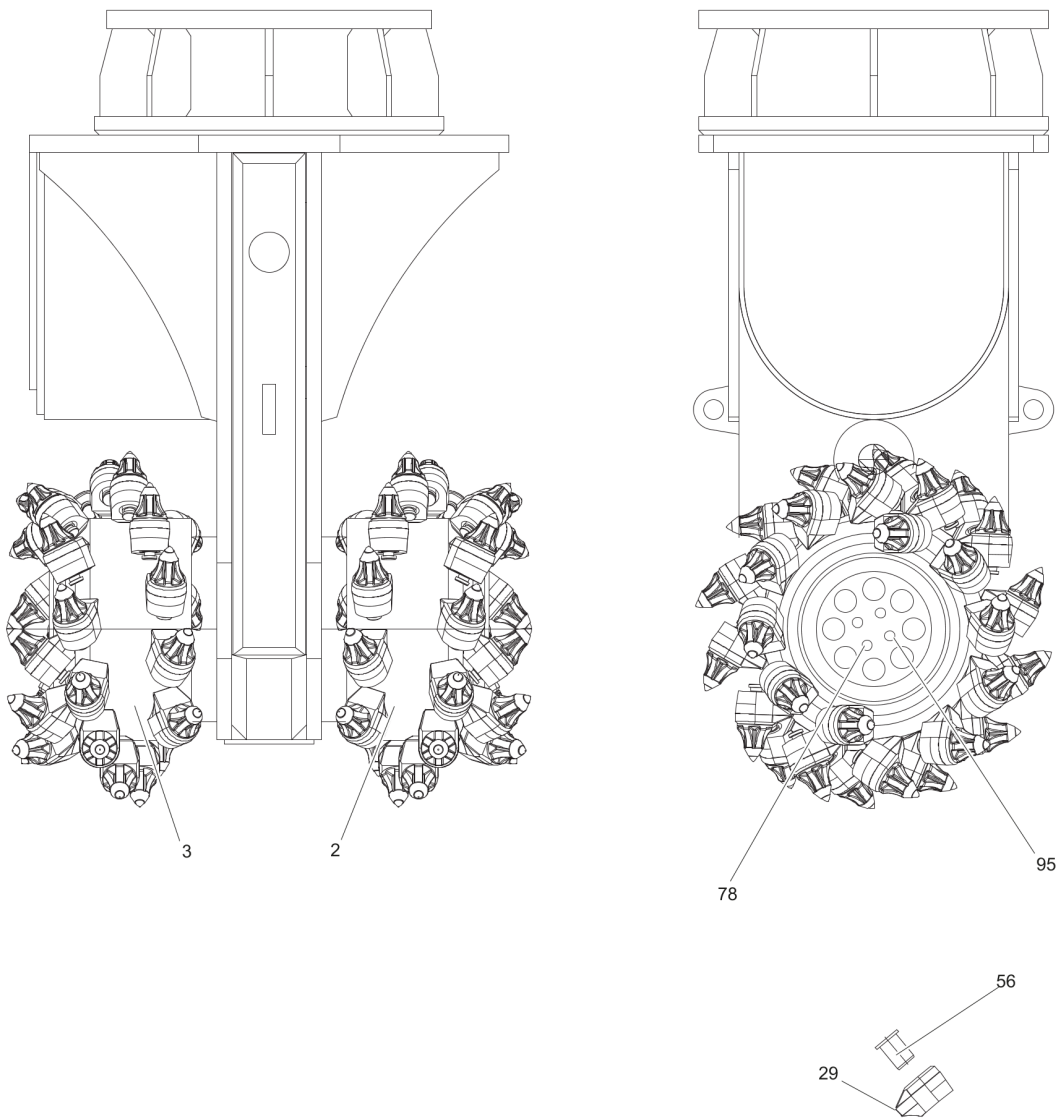
B | ER 2000 - 2X

C | ER 2000 - 3X

D | only for drum cutters without HATCON

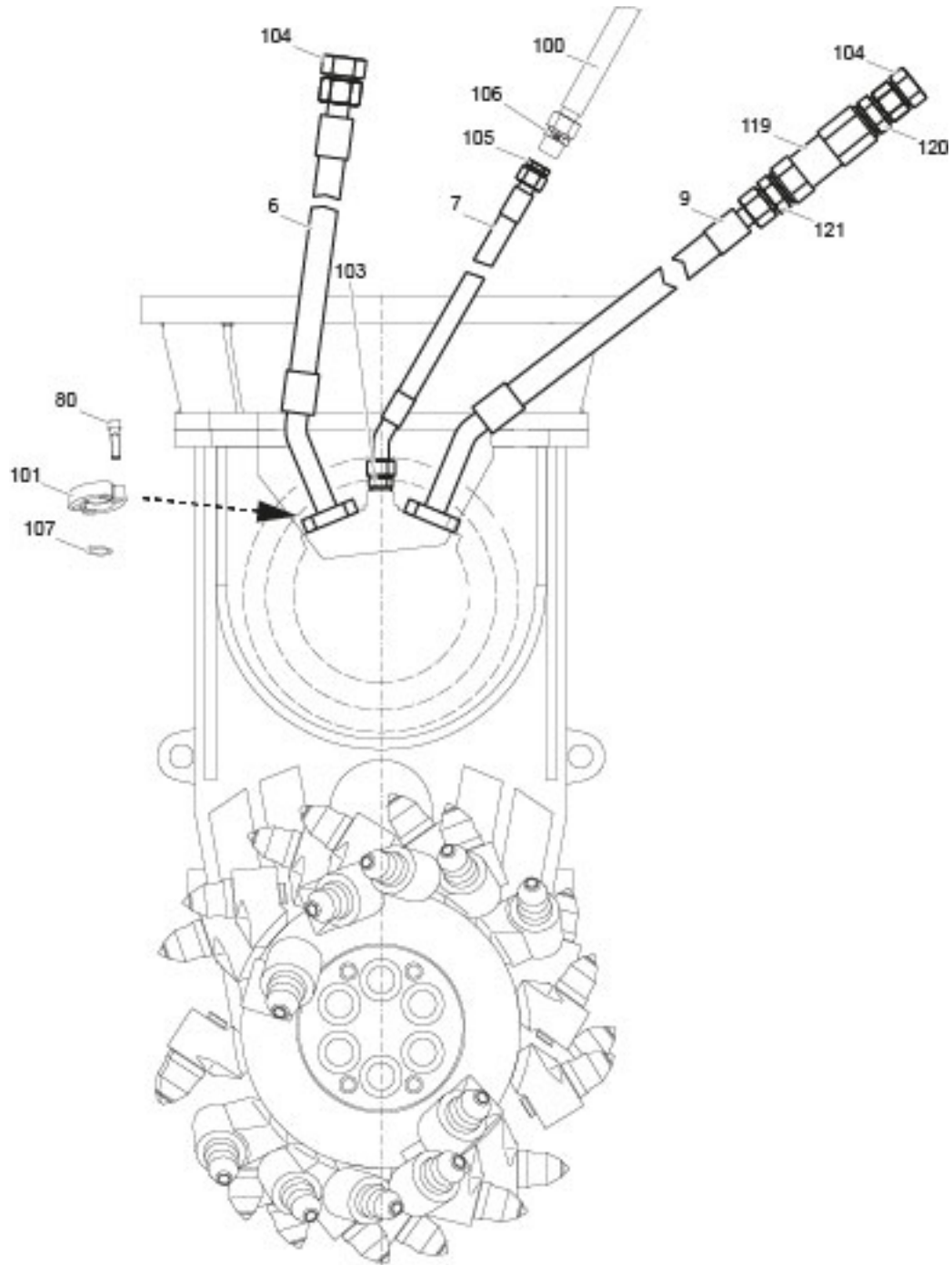
E | only for drum cutters with HATCON / see separate chapter

Mechanical Transverse Drum Cutter, part 2



Item	Part No.	Name	Qty	L
2	3311003071	Cutter drum (left)	1	
3	3311003072	Cutter drum (right/motor)	1	
29	3311000792	Pick box	56	
56	3311000801	Wear sleeve	56	
78	3311000551	Allen screw	8	
95	3311000533	Pair of lock washers	8	

Mechanical Transverse Drum Cutter, part 3



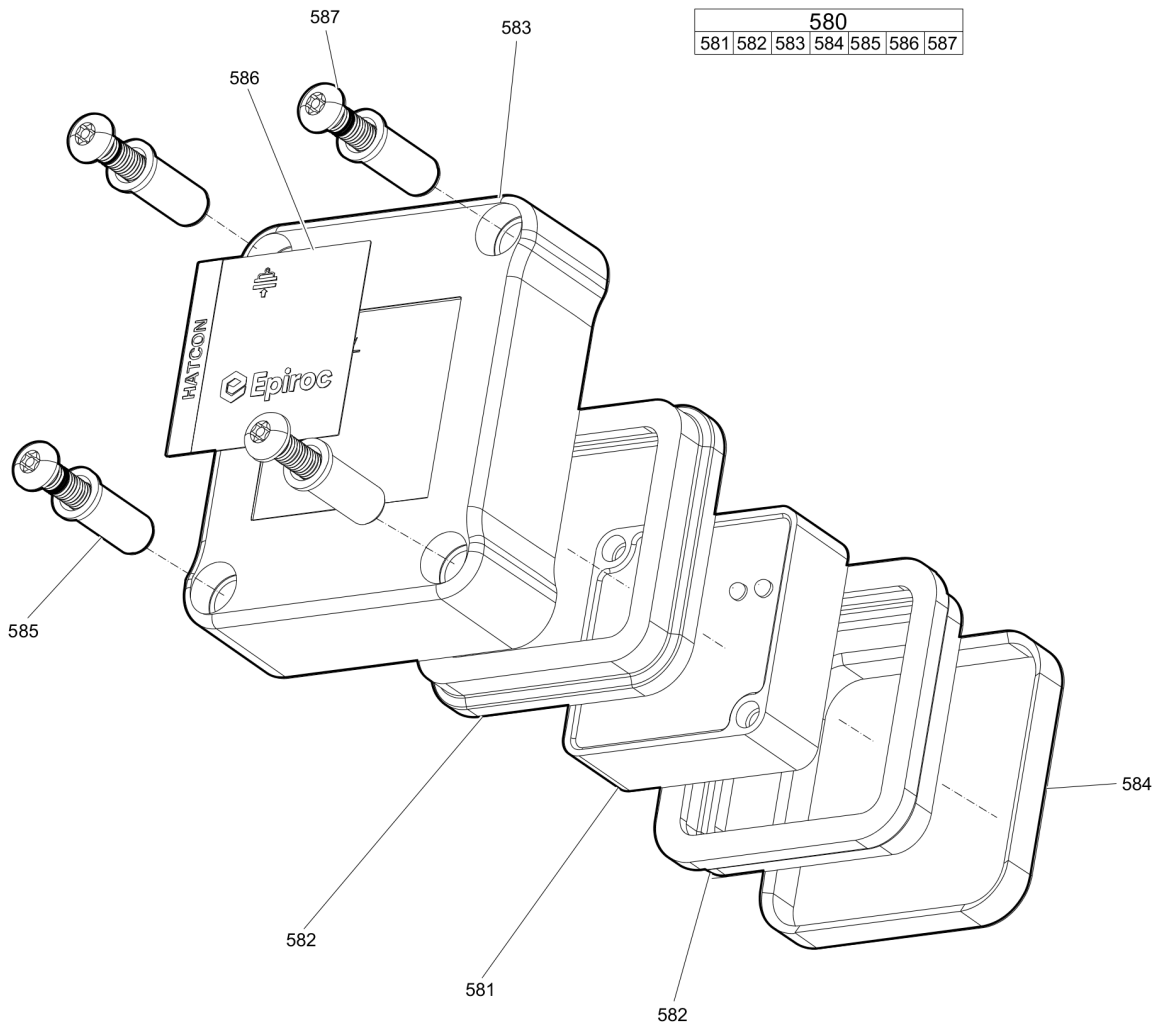
Item	Part No.	Name	Qty	L
KIT	3311004932	Hose kit metric, 2.5 m (Standard)	1	
6	3311004929	Hydraulic hose	1	
7	3311000244	Hydraulic hose	1	
9	3311004929	Hydraulic hose	1	
80	3311000536	Allen screw	8	
100	3311001582	Hydraulic hose	1	
101	3311000170	Flange	4	
103	3311000099	Fitting	1	
104	3311000118	Plug	2	
105	3311000119	Plug	1	
106	3311000120	Fitting	1	
107	3311000556	O-ring	2	
119	3311002965	Check valve	1	
120	3311000085	Fitting	1	
121	3311000086	Fitting	1	
KIT	3311005353	Hose kit JIC, 2.5 m (Optional)	1	
6	3311005334	Hydraulic hose	1	
7	3311005335	Hydraulic hose	1	
9	3311005336	Hydraulic hose	1	
80	3311000536	Allen screw	8	
100	3311005337	Hydraulic hose	1	
101	3311000170	Flange	4	
103	3311002210	Fitting	1	
104	3311002745	Plug	2	
105	3311002747	Plug	1	
106	3311002211	Fitting	1	
107	3311000556	O-ring	2	
119	3311002965	Check valve	1	
120	3311002744	Fitting	1	
121	3311003016	Fitting	1	

Comments for Page: Transverse Drum Cutter, part 3

(L)OCAL REMARKS

A | see chapter Options / accessories

Mechanical HATCON



Item	Part No.	Name	Qty	L
580(581-587)		HATCON	1	A
581		TRACKING MODULE HATCON	1	
582	3315439130	DAMPER HATCON	2	
583	3315439110	HOUSING TYPE 1 HATCON	1	
584	3315439140	LOCK RING HATCON	1	
585	3315439120	SLEEVE HATCON	4	
586	3315439100	PRODUCT LABEL HATCON	1	
587	3315442600	SCREW HATCON	4	

Comments for Page: HATCON

A | part number see chapter "Optional equipment"

Mechanical Tightening torques

NO EXPLODED VIEW
AVAILABLE
FOR THIS BOM

Item	Part No.	Name	Qty	L
75	-	Allen screw - 560 Nm (413 ft lbf)	-	A
76	-	Hexagon head screw - 1428 Nm (1053 ft lbf)	-	B
587	-	SCREW HATCON - 22 Nm (16 ft lbf)	-	C

Comments for Page: Tightening torques

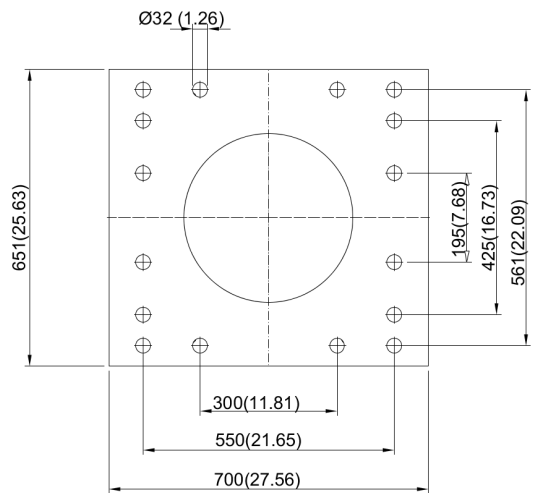
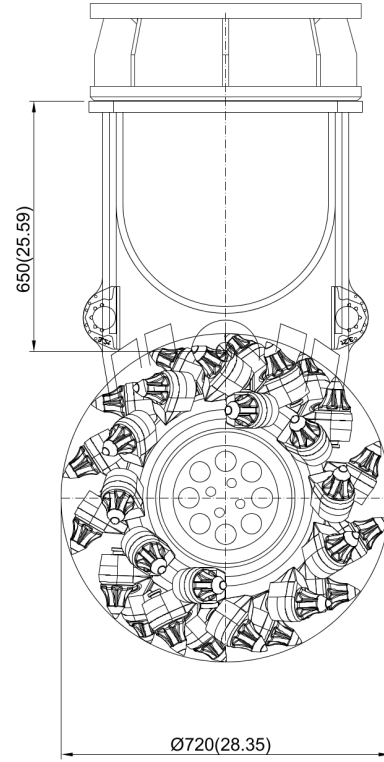
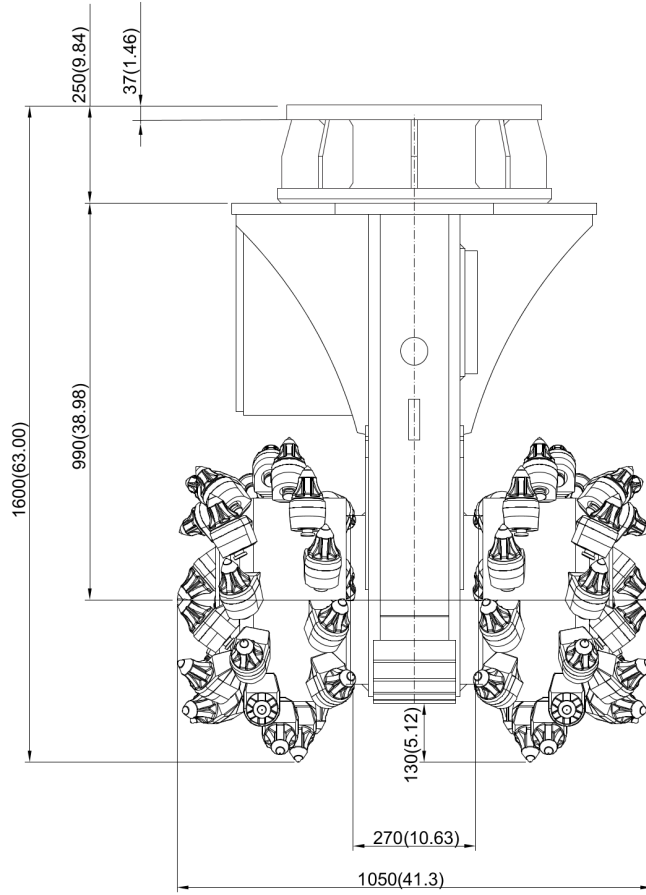
(L)OCAL REMARKS

A | Allen key size 19

B | Open-ended wrench size 46

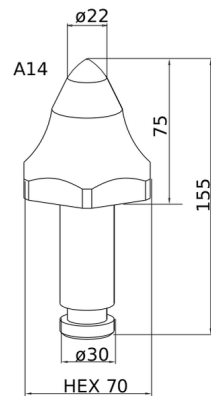
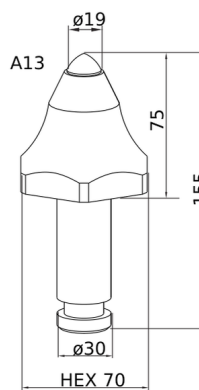
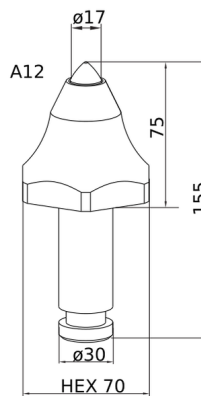
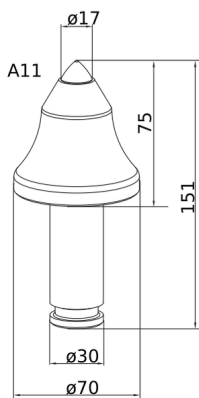
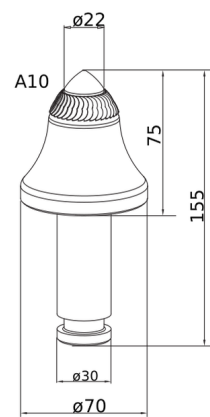
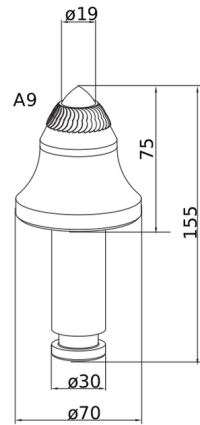
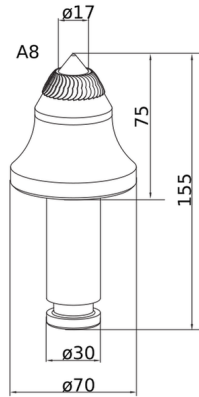
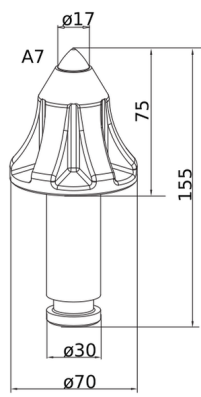
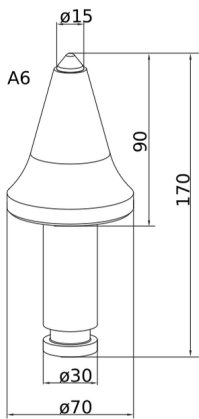
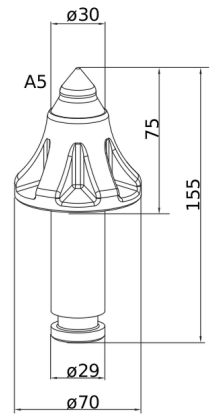
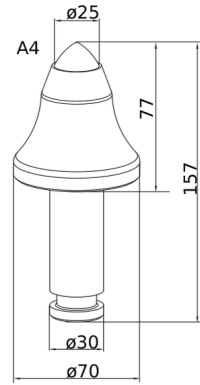
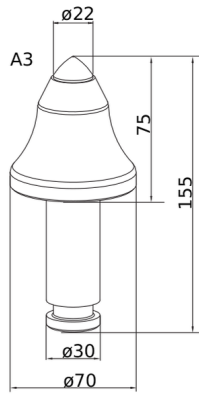
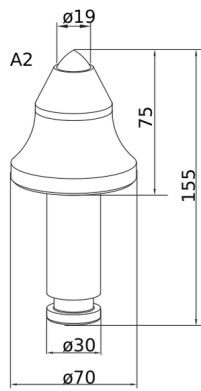
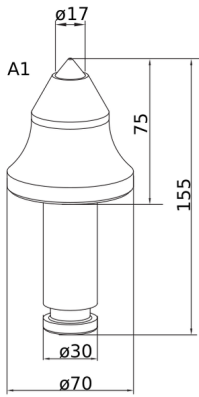
C | Security bit HATCON

Mechanical Dimensions



This page intentionally left blank

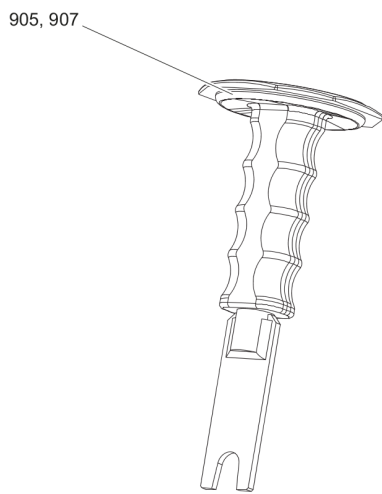
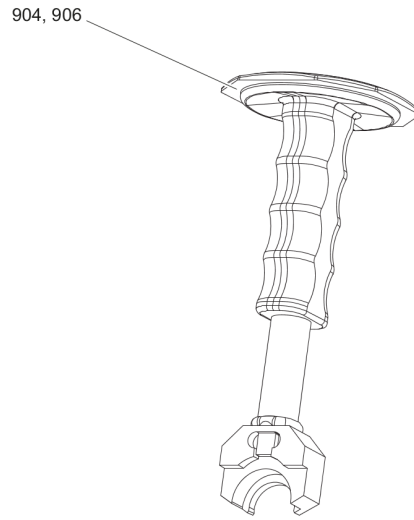
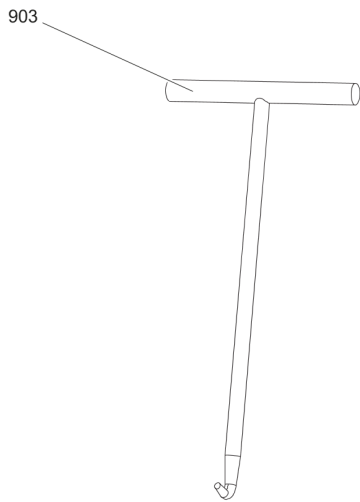
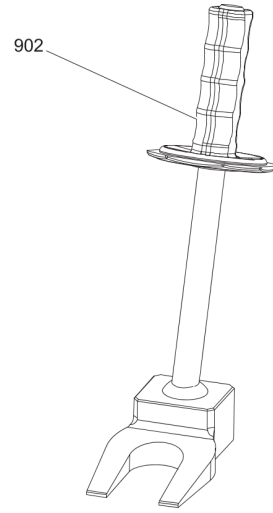
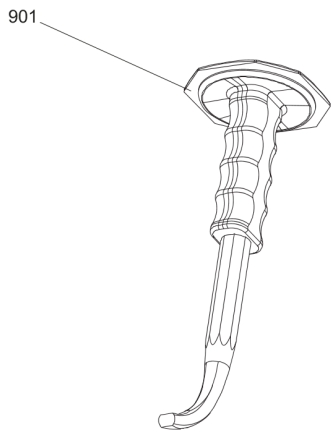
Options / accessories Picks and retainers kits



Item	Part No.	Name	Qty	L
1	3311006195	Picks and retainers kit	1	
A1		HexPick 17/30	10	
B	3311000978	Quick snap	10	
2	3311006298	Picks and retainers kit	1	
A1		HexPick 17/30	10	
C	3311002869	Retainer clip	10	
3	3311006196	Picks and retainers kit	1	
A2		HexPick 19/30	10	
B	3311000978	Quick snap	10	
4	3311006299	Picks and retainers kit	1	
A2		HexPick 19/30	10	
C	3311002869	Retainer clip	10	
5	3311006351	Picks and retainers kit	10	
A3		HexPick 22/30	10	
B	3311000978	Quick snap	10	
6	3311006698	Picks and retainers kit	1	
A3		HexPick 22/30	10	
C	3311002869	Retainer clip	10	
7	3311004575	Picks and retainers kit	1	
A4		ER17/75/70/30 Q	10	
B	3311000978	Quick snap	10	
8	3311004606	Picks and retainers kit	1	
A4		ER17/75/70/30 Q	10	
C	3311002869	Retainer clip	10	
9	3311004576	Picks and retainers kit	1	
A5		ER19/75/70/30 Q	10	
B	3311000978	Quick snap	10	
10	3311004607	Picks and retainers kit	1	
A5		ER19/75/70/30 Q	10	
C	3311002869	Retainer clip	10	
11	3311004577	Picks and retainers kit	1	
A6		ER22/75/70/30 Q	10	
B	3311000978	Quick snap	10	
12	3311004608	Picks and retainers kit	1	
A6		ER22/75/70/30 Q	10	
C	3311002869	Retainer clip	10	

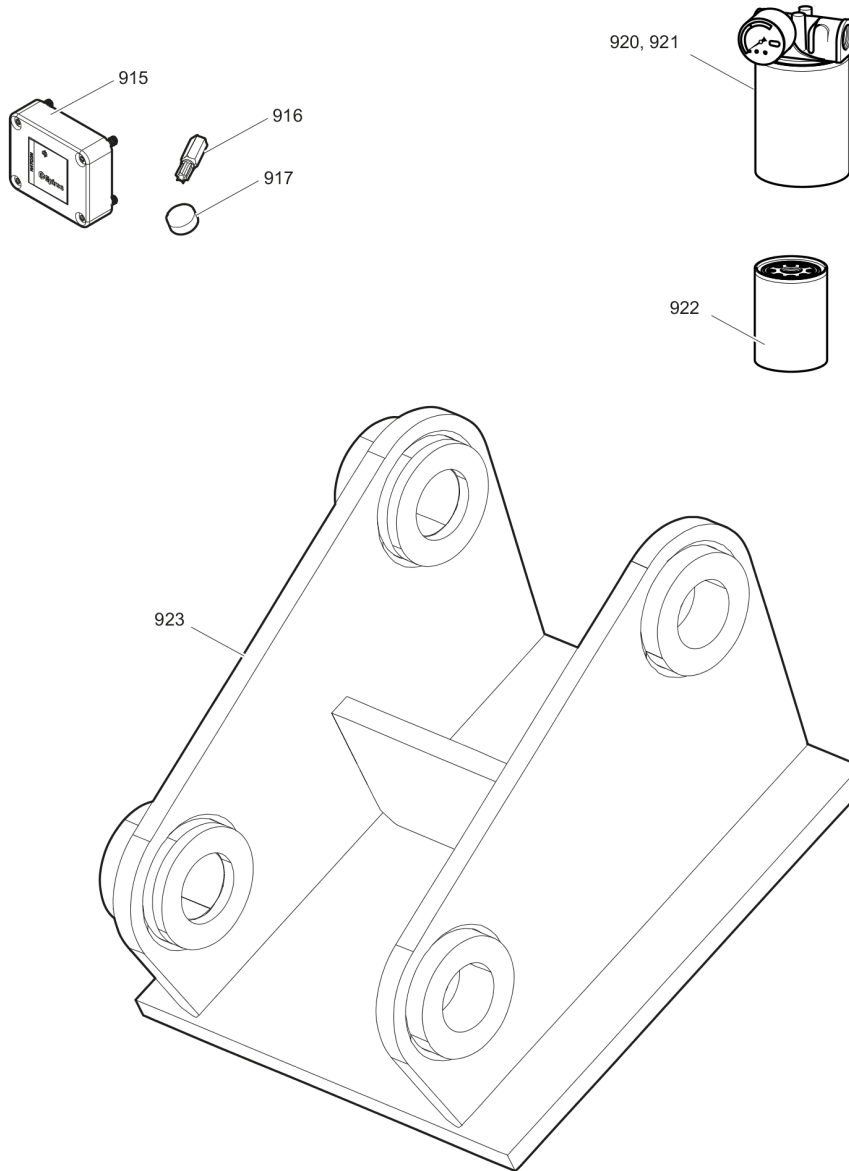
Item	Part No.	Name	Qty	L
13	3311004578	Picks and retainers kit	1	
A7		ER25/75/70/30 Q	8	
B	3311000978	Quick snap	8	
14	3311004609	Picks and retainers kit	1	
A7		ER25/75/70/30 Q	8	
C	3311002869	Retainer clip	8	
15	3311004579	Picks and retainers kit	1	
A8		ER30/77/70/30 Q	10	
B	3311000978	Quick snap	10	
16	3311004613	Picks and retainers kit	1	
A8		ER30/77/70/30 Q	10	
C	3311002869	Retainer clip	10	
17	3311004580	Picks and retainers kit	1	
A9		ER15/90/70/30 Q	10	
B	3311000978	Quick snap	10	
18	3311004614	Picks and retainers kit	1	
A9		ER15/90/70/30 Q	10	
C	3311002869	Retainer clip	10	
19	3311004581	Picks and retainers kit	1	
A10		ER17/75/70/30 QE	10	
B	3311000978	Quick snap	10	
20	3311004615	Picks and retainers kit	1	
A10		ER17/75/70/30 QE	10	
C	3311002869	Retainer clip	10	
21	3311004582	Picks and retainers kit	1	
A11		ER17/75/70/30 PQ	10	
B	3311000978	Quick snap	10	
22	3311004616	Picks and retainers kit	1	
A11		ER17/75/70/30 PQ	10	
C	3311002869	Retainer clip	10	
23	3311004583	Picks and retainers kit	1	
A12		ER19/75/70/30 PQ	10	
B	3311000978	Quick snap	10	
24	3311004617	Picks and retainers kit	1	
A12		ER19/75/70/30 PQ	10	
C	3311002869	Retainer clip	10	

Options / accessories Tools for picks



Item	Part No.	Name	Qty	L
901	3311000989	Knock out tool	1	
902	3311002872	Knock out tool for stuck picks	1	
903	3311000980	Puller tool for quick snap retainers	1	
904	3311004217	Mounting toolfor retaining clips	1	
905	3311004218	Dismantling toolfor retaining clips	1	
906	3311002876	Mounting toolfor retaining clips (ER17/75/70/30 C)	1	
907	3311002195	Dismantling toolfor retaining clips (ER17/75/70/30 C)	1	

Options / accessories Optional equipment



Item	Part No.	Name	Qty	L
915	3315442520	HATCON KIT 1 (LTE)	1	A
916	3315439105	SECURITY BIT HATCON	1	
917	3315439106	MAGNET HATCON	1	
920	3311003111	Hydraulic filter set for leakage oil, metric	1	
921	3311003195	Hydraulic filter set for leakage oil, JIC	1	
922	3311003087	Filter cartridge for leakage oil, metric and JIC	1	
	3311005189	Water spray kit	1	
923		ADAPTER PLATE matching the carrier. Consult the authorized Customer Center/Dealer in your area.	1	

Comments for Page: Optional equipment

A | with item 916 and 917

Any unauthorized use or copying of the contents or any part thereof is prohibited.
This applies in particular to trademarks, model denominations, part numbers, and drawings.