



Atlas Copco

PARTS LIST

MODEL: DML



Read the instruction manual before operating this equipment.

The Distributer/Dealer serving the area in which your equipment is working will be able to give you the BEST and FASTEST SERVICE of Genuine Replacement Parts.

IMPORTANT:

Be sure the parts book which you are ordering parts from is the parts book for the Drill needing the replacement parts!
Each parts book is CUSTOM MADE to a specific Drill.
All parts books have a Drill SERIAL NUMBER and MODEL DESCRIPTION on the header of each parts page. All Drills have a SERIAL NUMBER welded on the frame at the drilling end of the MAIN FRAME or CHASSIS.

YOU MUST USE THE CORRECT PARTS BOOK TO INSURE CORRECT PARTS IDENTIFICATION.

Continuing Product Improvement and advancement of product design may cause changes to your Drill which may not be reflected in this Parts/Service Manual. Production models may vary in some detail. Drilling Solutions reserves the right to modify or make changes without notice or obligation.

Parts Ordering Instructions

By giving complete information, you will enable us to fill your order correctly and avoid unnecessary delays!

When ordering Replacement Parts, specify:

1. Unit **Serial Number**
2. The **Name** of each part as listed
3. The **Part Number** as listed in your Partsbook.
4. **Quantity** of parts desired.

Refer all communications concerning this unit to our nearest Branch Office, Distributor, Dealer or Agent

WARNING IN THE MANUAL

CALIFORNIA PROPOSITION 65 INFORMATION

**TO CALIFORNIA CUSTOMERS AND
TO CUSTOMERS SELLING DIESEL ENGINE EQUIPMENT
INTO OR FOR USE IN CALIFORNIA**

CALIFORNIA

Proposition 65 Warning

Diesel engine exhaust and some of its constituents are known to the State of California to cause cancer, birth defects and other reproductive harm.

This page is intentionally blank.

Table of Contents

TABLE OF CONTENTS

FRAME/CHASSIS	1
57615767 WELDMENT,MAINFRAME,DML	3
57546137 DECK ASSY-DML,VERT REC	5
57590804 DECKING ASM,DM45/50/L	7
57214587 LADDER	11
57674947 DECK ASM,REAR PLATFORM	13
57598690 LADDER,DECKING	15
57546152 HANDRAIL INSTL,VERT REC	17
57491284 STEP INSTL-DC SIDE	19
57505455 ENCLOSURE,AREA POWERPACK	21
 UNDERCARRIAGE/TRACKS	 23
57483661 TRACK ASSY-CAT330W/Y&AMT	25
57483653 UNDERCARRIAGE,330S W/Y&A	27
57522922 FRONT IDLER GROUP	29
57457319 RH TRACK ADJUSTER GROUP	31
57457327 LH TRACK ADJUSTER GROUP	33
57457434 RECOIL SPRING GROUP	35
57457442 FRONT IDLER	37
57522930 ROLLER GROUP	39
57457566 CARRIER ROLLER GROUP	41
57564213 ROLLER GROUP,SFLG	43
57457673 TRACK GROUP	45
57457194 FINAL DRIVE GROUP	47
57563561 GUARD GROUP-TCK MOT	51
57522989 GUARD GROUP, TRACK GUIDE	53
57522971 GUARD GROUP, TRACK GUIDE	55
 JACKS	 57
57501967 JACK ASSY, FRONT	59
57502387 JACK ASSY, REAR	61
57488868 CYLINDER HYDRAULIC	63
57205007 VALVE,COUNTERBALANCE	65

Table of Contents

TABLE OF CONTENTS

CAB/CONSOLE	67
57668196 CAB,INST TIER 2	69
57668220 CAB,EXTENDED TIER 2	73
57561656 DOOR ASSY - CURB SIDE	81
57561664 DOOR ASSY - TOWER SIDE	83
57554644 AIR CONDITIONER, ASSY	85
57554685 PACKAGE KIT, 805 IR	87
57554693 SWITCH ASSY, IR AP	89
57554669 COIL ASSY, HTR	91
57554651 COIL ASSY	93
57554677 FILTER W/ PREFIL & ELBOW	95
57214470 STEP, CAB	97
57632218 HEATER ASSEMBLY,QSX	99
57656209 AIR COND,INSTL-QSX/DML	103
57639478 GAUGES & CONTROLS	107
DERRICK/TOWER	115
57518441 TOWER ASSY, COMMONS	117
57518466 TOWER ASSY UNIQUES, 30FT	123
57497562 WELDMNT,TOWER-30FT,TELE	127
57423006 BLOCK-PIVOT ASSY-R.H.	129
57423014 BLOCK-PIVOT ASSY-L.H.	131
57518508 PIPING, TOWERUNIQUE-30FT	133
57562639 ROTARY HEAD,COMMONS,NEW	137
57395444 HOUSING, MACHINED-R.H.	145
57209637 MOTOR,HYDRAULIC	147
54472170 KIT,RETAINING RING	151
57519878 ROTARY HEAD-HI SPEED	153
57445660 ROD CATCHER ASSY	155
57594657 ROD CHANGER ASM,30'STD	157
57199093 CYLINDER, HYDRAULIC	165
57228470 HOLDER ASSY,5 ROD-30'	167
57572984 MOTOR & GEAR REDUCER ASM	169
56255318 SUB,SPINDLE-4 BECO,29 LG	177
57536393 BREAKOUT, SLIDING	179
57562654 TIMING SHAFT	183

Table of Contents

POWERPACK/ENGINE	185
57639510 ENGINE ASM,QSX15,530HP	187
57656217 WIRING,ENGINE QSX 1 STR	193
57665705 COOLER ASM,TIER 2	197
57639940 PIPING,CAC CUM DML	201
57643652 SUPPORT,CAC PIPING	203
57639932 PIPING,RADIATOR CUM DML	205
57643637 EXHAUST INSTL QSX	209
57421513 MOUNTING, POWERPACK BASE	211
 AIR CLEANERS	 213
57639544 AIR CLNR ASM XL1200QSX15	215
57496556 AIR FILTER - 08	219
 FUEL SYSTEM	 221
57651432 TANK & PIPING,FUEL 380GL	223
57665697 COOLER,FUEL,P,QSX,DM45	227
57661852 INJECTION,ETHER ASSY	229
 COMPRESSOR/AIR SYSTEM	 233
57640005 AIREND ASSEMBLY	235
57433773 VALVE, BUTTERFLY-8	237
57661803 PIPING,COMPRESSOR CNTRL	239
57546202 VALVE BLOWDOWN ASSY	247
57661605 COC,P,XL1200/285MM,DML	249
57569766 TANK,REC.VERTICAL ASSY	255
57546228 MANIFOLD,UPPER	259
57546236 MANIFOLD,LOWER	261
57569808 PIPING,REC TO COMP.	263
57471880 PIPING, RECEIVER TO TOWER	265

TABLE OF CONTENTS

Table of Contents

HYDRAULIC SYSTEM 267

- 57651226 DRIVE,MAIN HYD-ELEC 269
 - 57392003 PUMP,DOUBLE-HYDRAULIC 275
 - 57352536 PUMP,DRIVE 3-HOLE 279
- 57661746 PIPING,MAIN HYD CL TIER2 281
 - 57450751 VALVE ASSY, DIVERTER 291
 - 57106429 VALVE, DIVERTER 293
 - 50630656 FILTER, MAGNETIC 295
 - 57576969 VALVE ASSY-DR/PR CONTROL 297
- 57482564 PIPING,HYDRAULIC TANK 299
 - 57582322 RESERVOIR,HYDRAULIC 305
 - 52254885 FILTER, HYDRAULIC 309
 - 52259363 FILTER ASSY-HYD 311
- 57501983 JACKS, PIPING 313
- 57501991 OVERPRESSURE CONTROLS 315
- 57519902 SWITCH-HEAD DECEL 317
- 56255441 PIPING, PROPEL-CAT 319
- 57536450 PULLDOWN CONTROL 323
- 56245673 PIPING, ROD CHANGER, 30'ELEC 325
- 57448136 VALVE, REGEN-LP 327
- 57535957 ROD INDEX PIPING 329
- 57518482 PIPING, TOWER COMMONS 331
- 57661597 PIPING,FAN/HOC,54" 337
- 57656811 TOWER RAISE CYL & PIP 341
 - 54578539 CYLINDER,HYD-TWR RAISE 345
- 57533127 PINNING, TOWER 349
- 57656795 VALVE INSTL,6 SPOOL 353
 - 57656787 VALVE ASSEMBLY,6 SPOOL 355
 - 57581894 VALVE ASSY,VPL6 359
- 57535908 VALVE, 9 SPOOL-INST,ELEC 363
 - 57394991 VALVE, 9-SPOOL,24V COILS 365
- 57535858 WRENCH CYLINDER 367
 - 57039810 KIT,SEAL 371

TABLE OF CONTENTS

Table of Contents

ELECTRICAL SYSTEM	373
57639411 WIRING,BASIC ELEC	375
57541930 LIGHTS,NIGHT-9 LIGHT PKG	379
56245384 WIRING,STD, ELEC RIG	383
57651382 WIRING DIAGRAM QSX	387
 OPTIONS	 391
56250863 DUST COLLECTOR, 4500ELEC	393
57641441 DUST COLLECTOR FC4500	399
57003782 MOTOR,HYDRAULIC	401
52233194 CAM RING ASM	403
52179488 PLATE,PORT	405
52179595 SEAL KIT	407
57644775 BRACKET INSTALLATION	409
57582397 CURTAIN,DUST-ANGLE,DML	411
54418991 CYLINDER-HYD,DUSTCURTAIN	419
54454087 KIT,SEAL-HYD,CYL	421
56245152 INDICATOR, JACK UP	423
57651374 BATTERY INSTL,W/JUMP STR	429
57244386 LUBE, FRAME & TRACK	433
57503443 LUBE SYSTEM	437
57531543 NO BUMP ROD CHANGER PIPING	441
57475840 PIPING, QUICK FILL	445
57554206 ROD SEAL 6-1/4 PIPE	447
57519779 DUST SEAL, 6-1/4" PIPE	449
56243165 ANGLE DRILL 0-20DEG,ELEC	451
56250301 ROD SUPPORT ASY,ELEC,MAN	453
57423808 CYLINDER, HYDRAULIC	457
57425043 SEAL KIT	459

TABLE OF CONTENTS

Table of Contents

TOOLS/ACCESSORIES 461

- 57215303 DECALS INST'L-DML 463
- 56246671 NPLATES,CONSOLE,CUM,ELE 467
- 57147910 DECALS, SAFETY 469
 - 57311151 MANUAL, SAFETY-DM45/50/L 475
- 57328221 FILTER KIT, FIELD REPLACE 477
- 50421908 PAINT & SUPPLIES 479
- 57518334 ROD TOOLS, 6.25 PIPE 481
 - 50260314 WRENCH,CHAIN-5.313-6.25 483
 - 50021120 TONG ASSY-W/FLAT INSERTS 485
 - 50021138 CHAIN ASSY 487
 - 50245281 GUN, BLOW-WITH 25' HOSE 489
- 7750 ACCESS 491

TABLE OF CONTENTS

Table of Contents

This page is intentionally blank.

TABLE OF CONTENTS

FRAME/CHASSIS

SECTION

FRAME/CHASSIS

This page is intentionally blank.

SECTION

FRAME/CHASSIS

57615767 WELDMENT,MAINFRAME,DML

SUPPORT,TOWER-DM45/50/L 57582355

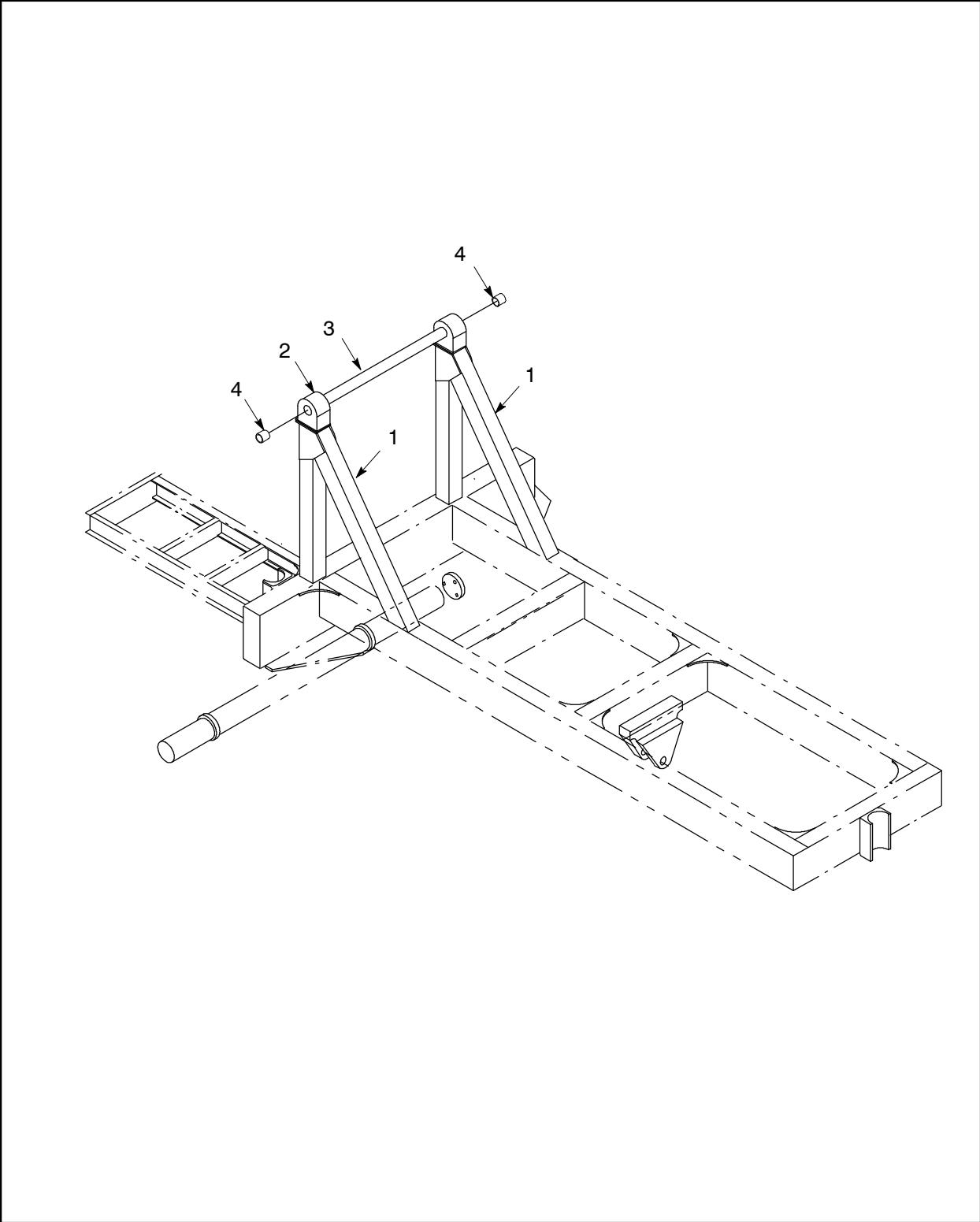


Figure 1 :WELDMENT,MAINFRAME,DML
ILLUSTRATION REV 000

57615767 WELDMENT,MAINFRAME,DML

- 001 ----- 57582355----- 1----- EA----SUPPORT,TOWER-DM45/50/L
- 57092579----- 0.12 -- LB ----- GREASE,EPO
- 002 ----- 57398232----- 2----- EA----- BLOCK, TOWER SUPPORT
- 003 ----- 57399925----- 1----- EA----- SHAFT, TOWER SUPPORT
- 004 ----- 57559072----- 2----- EA----- BUSHING,PIVOT TWRSUPPORT

SUPPORT,TOWER-DM45/50/L 57582355

57546137 DECK ASSY-DML,VERT REC

DECK ASSY-DML,VERT REC 57546137

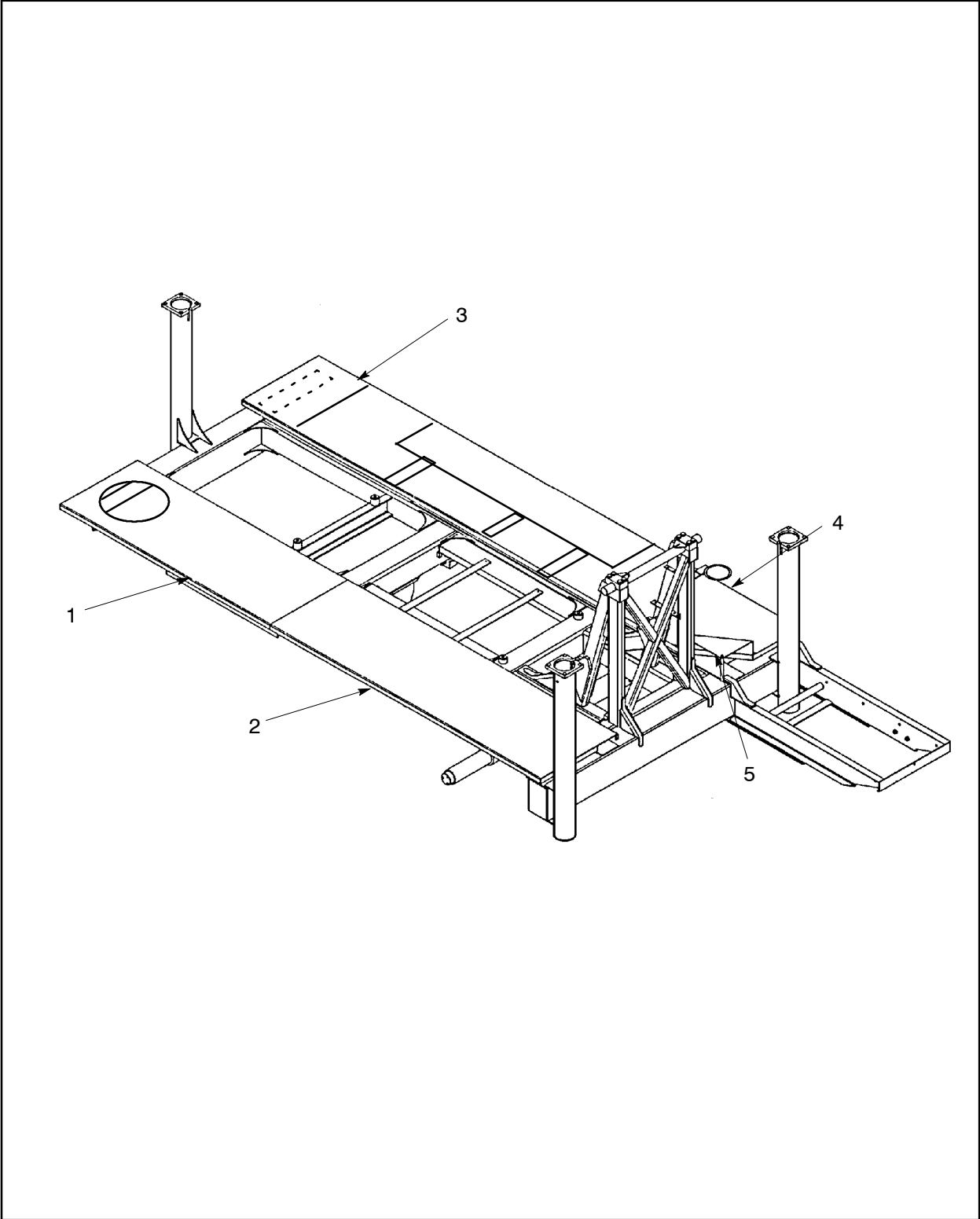


Figure 2 :DECK ASSY-DML,VERT REC
C57546137 REV 001

57546137 DECK ASSY-DML,VERT REC

REF.	PART NO.	QTY.	UNIT	DESCRIPTION
001	57546004	1	EA	DECKING,DML
002	57471914	1	EA	DECKING,FRONT-DCS,DML
003	57471930	1	EA	DECKING,REAR-CS,DML
004	57471948	1	EA	DECKING,FRONT-CS,DML
005	57394025	1	EA	SUPPORT, DECK CAB SIDE

DECK ASSY-DML,VERT REC 57546137

57590804 DECKING ASM,DM45/50/L

DECKING ASM,DM45/50/L
57590804

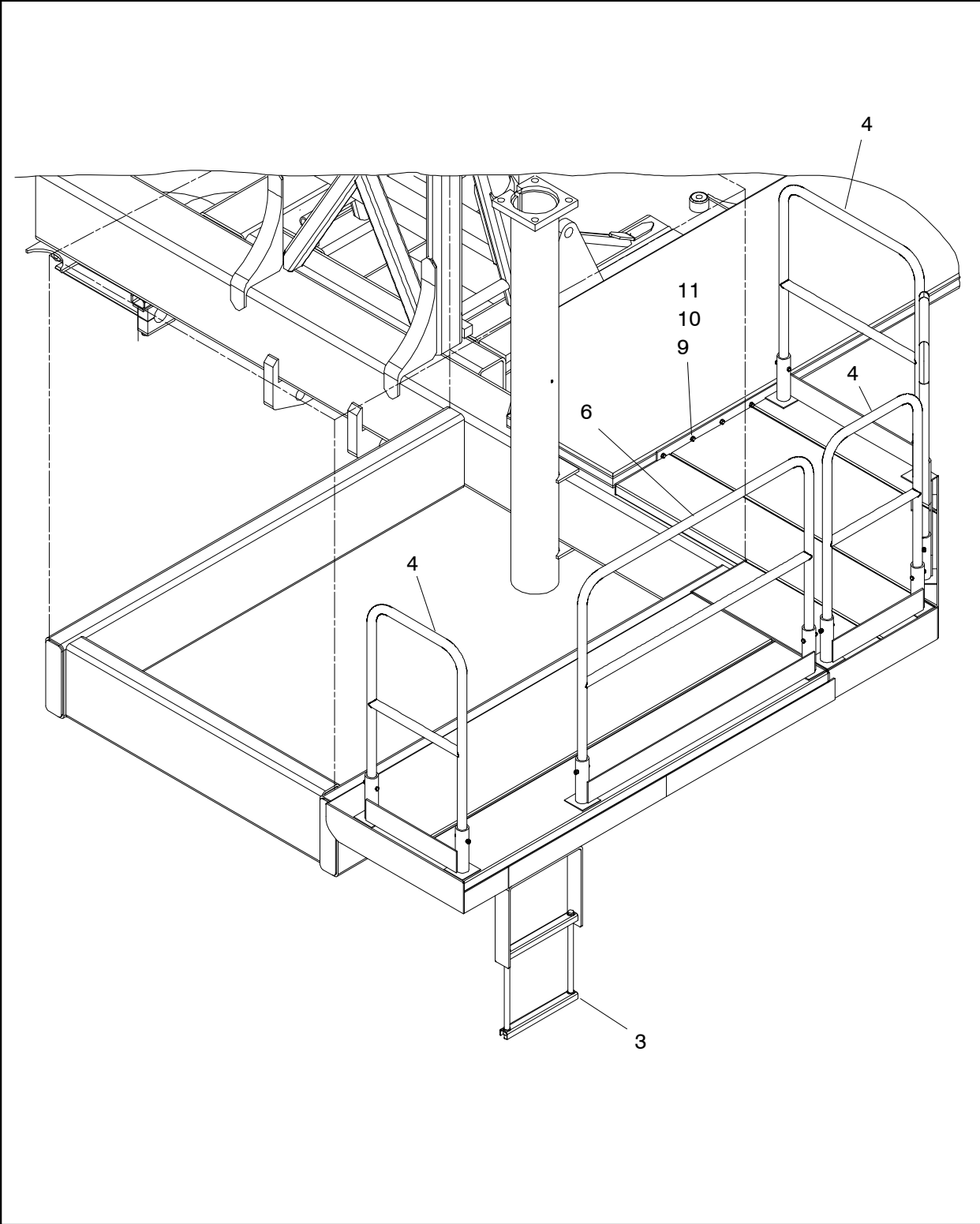
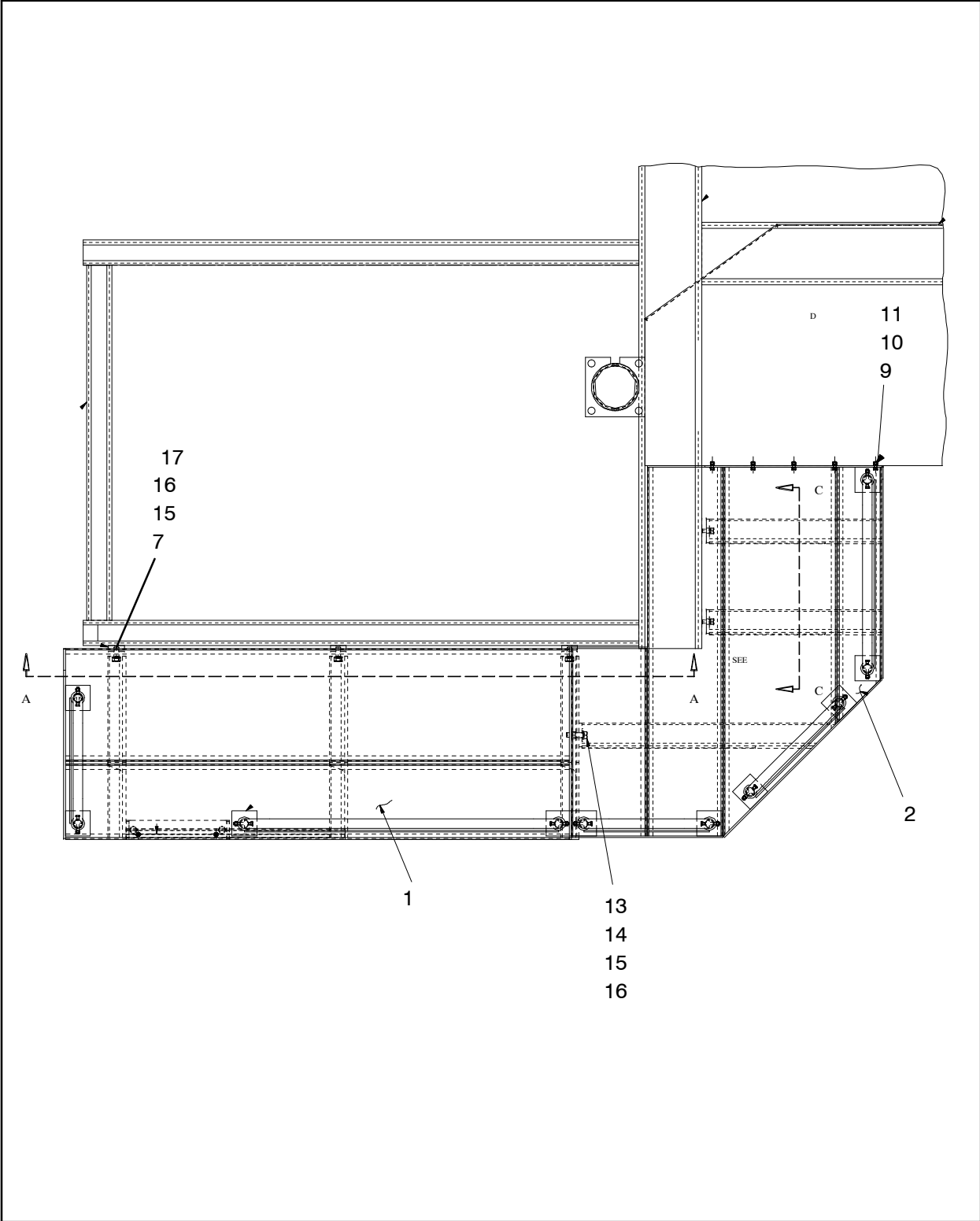


Figure 3 :DECKING ASM,DM45/50/L
E57590804 REV 000

57590804 DECKING ASM,DM45/50/L



DECKING ASM,DM45/50/L
57590804

Figure 4 :DECKING ASM,DM45/50/L
E57590804 REV 000

57590804 DECKING ASM,DM45/50/L

DECKING ASM,DM45/50/L 57590804

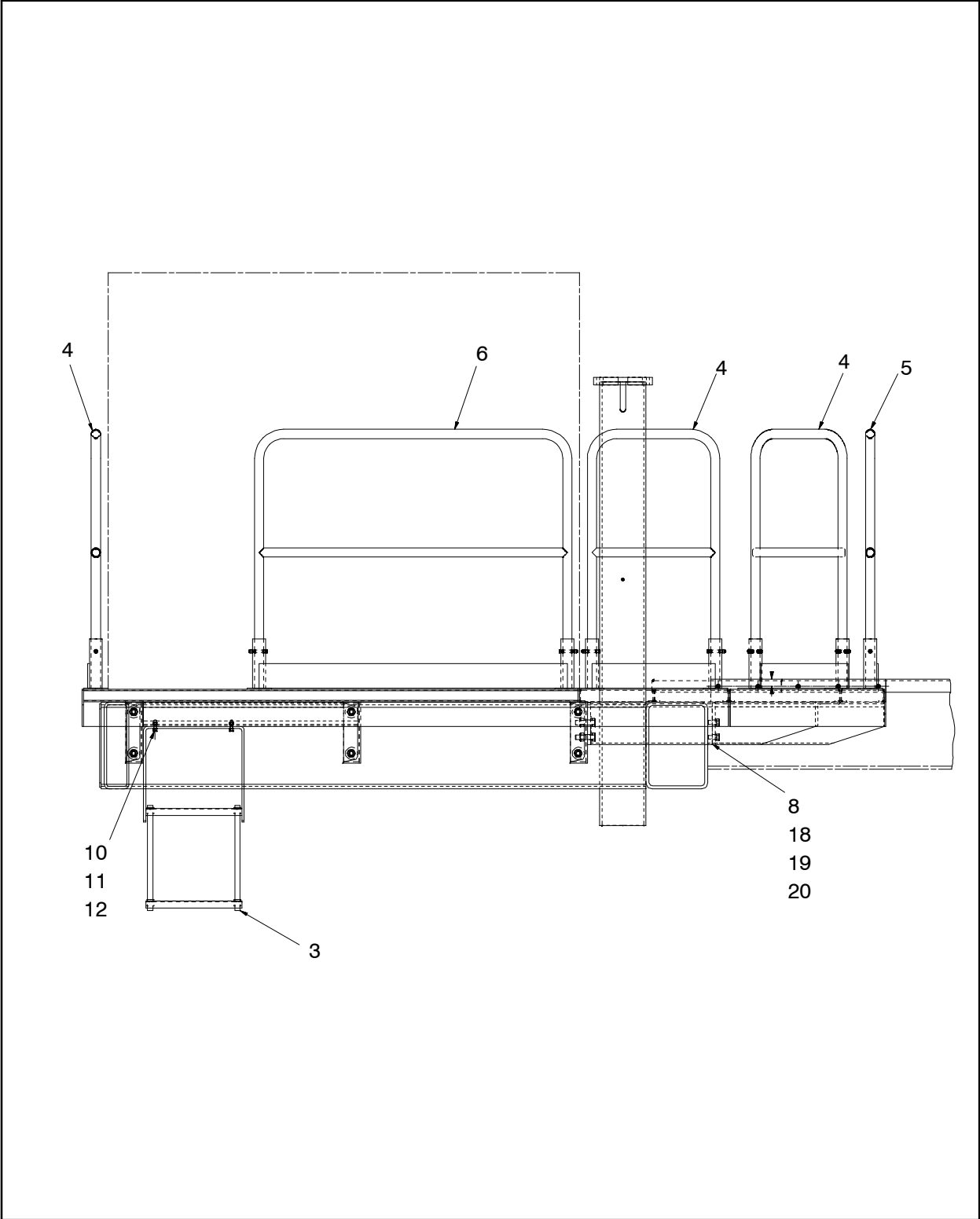


Figure 5 :DECKING ASM,DM45/50/L
E57590804 REV 000

57590804 DECKING ASM,DM45/50/L

REF.	PART NO.	QTY.	UNIT	DESCRIPTION
001	57590788	1	EA	DECKING,SIDE DM45/50/L
002	57590796	1	EA	DECKING,REAR DM45/50/L
003	57214587	1	EA	LADDER (See figure 6)
004	57533622	3	EA	HANDRAIL ASSY-20 CNTDIST
005	57424392	1	EA	HANDRAIL ASSY-30 CNTDIST
006	57424418	1	EA	HANDRAIL ASSY-50 CNTDIST
007	57588535	3	EA	BRACKET,MTG,SIDE DECK
008	57573958	2	EA	PLATE,MTG REAR DECKING
009	95920674	5	EA	SCREW, CAP-3/8-16 X 1
010	95922894	7	EA	NUT, HEX-3/8-16
011	95937413	7	EA	WASHER, LOCK-3/8 PLATED
012	95934584	2	EA	SCREW, CAP-3/8-16 X1-1/2
013	95104659	2	EA	SCREW, CAP-3/4-10 X2-3/4
014	95077822	2	EA	NUT, HEX-3/4-10
015	95081808	8	EA	WASHER, LOCK-3/4
016	95069571	8	EA	WASHER, FLAT-3/4
017	95104642	6	EA	SCREW, CAP-3/4-10 X1-3/4
018	95104436	4	EA	SCREW, CAP-5/8-11 X1-1/2
019	95209425	4	EA	WASHER, LOCK-5/8
020	95094314	4	EA	WASHER, FLAT-5/8

DECKING ASM,DM45/50/L 57590804

57214587 LADDER

DECKING ASM,DM45/50/L 57590804

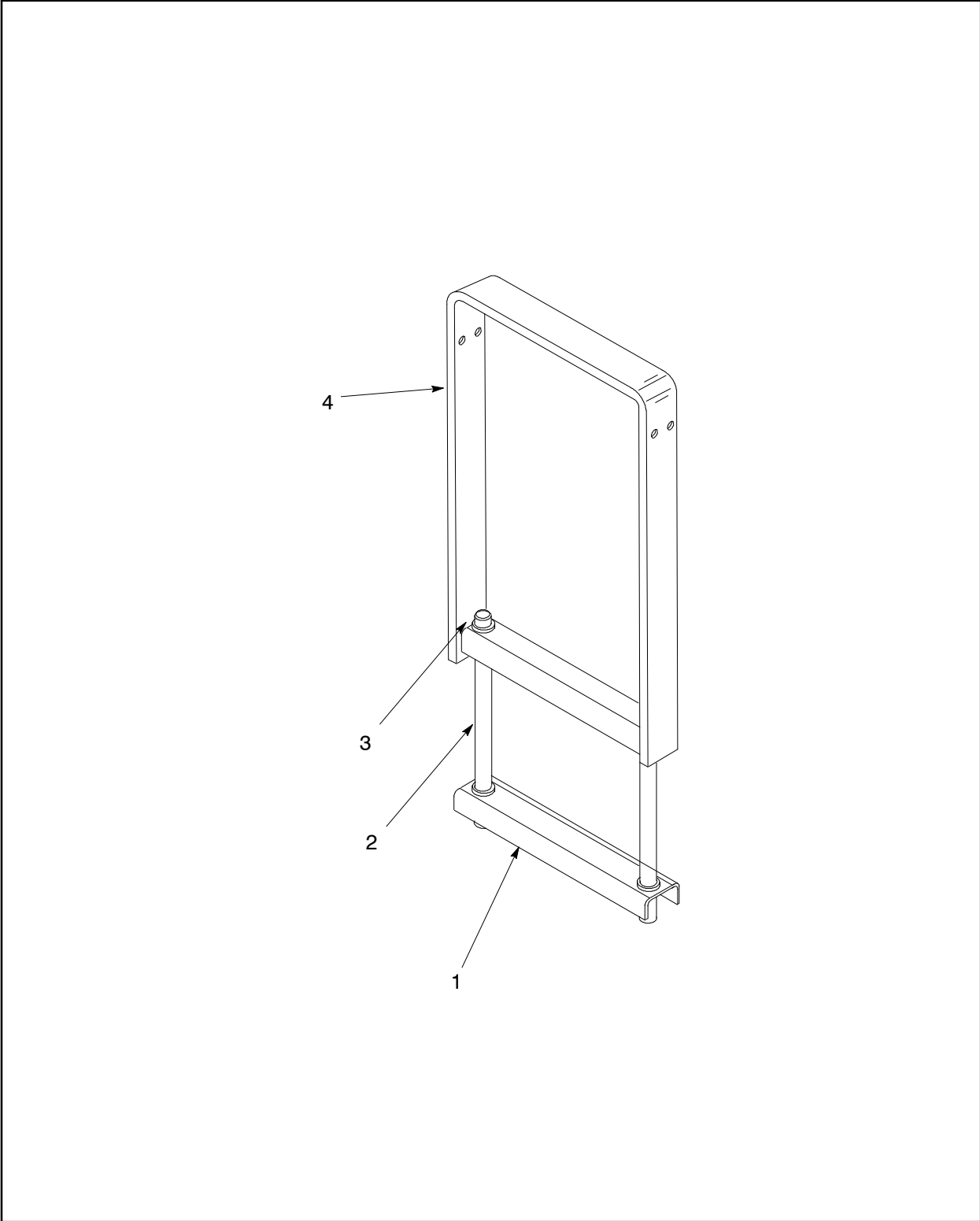


Figure 6 :LADDER
C57214587 REV 002

57214587 LADDER

REF.	PART NO.	QTY.	UNIT	DESCRIPTION
001	57047847	2	EA	RUNG LADDER
002	57068587	4	EA	PIPE
003	57214603	2	EA	WIRE ROPE-7/8 DIA.
004	57214595	1	EA	PLATE, SUPPORT

DECKING ASM,DM45/50/L 57590804

57674947 DECK ASM,REAR PLATFORM

DECK ASM,REAR PLATFORM
57674947

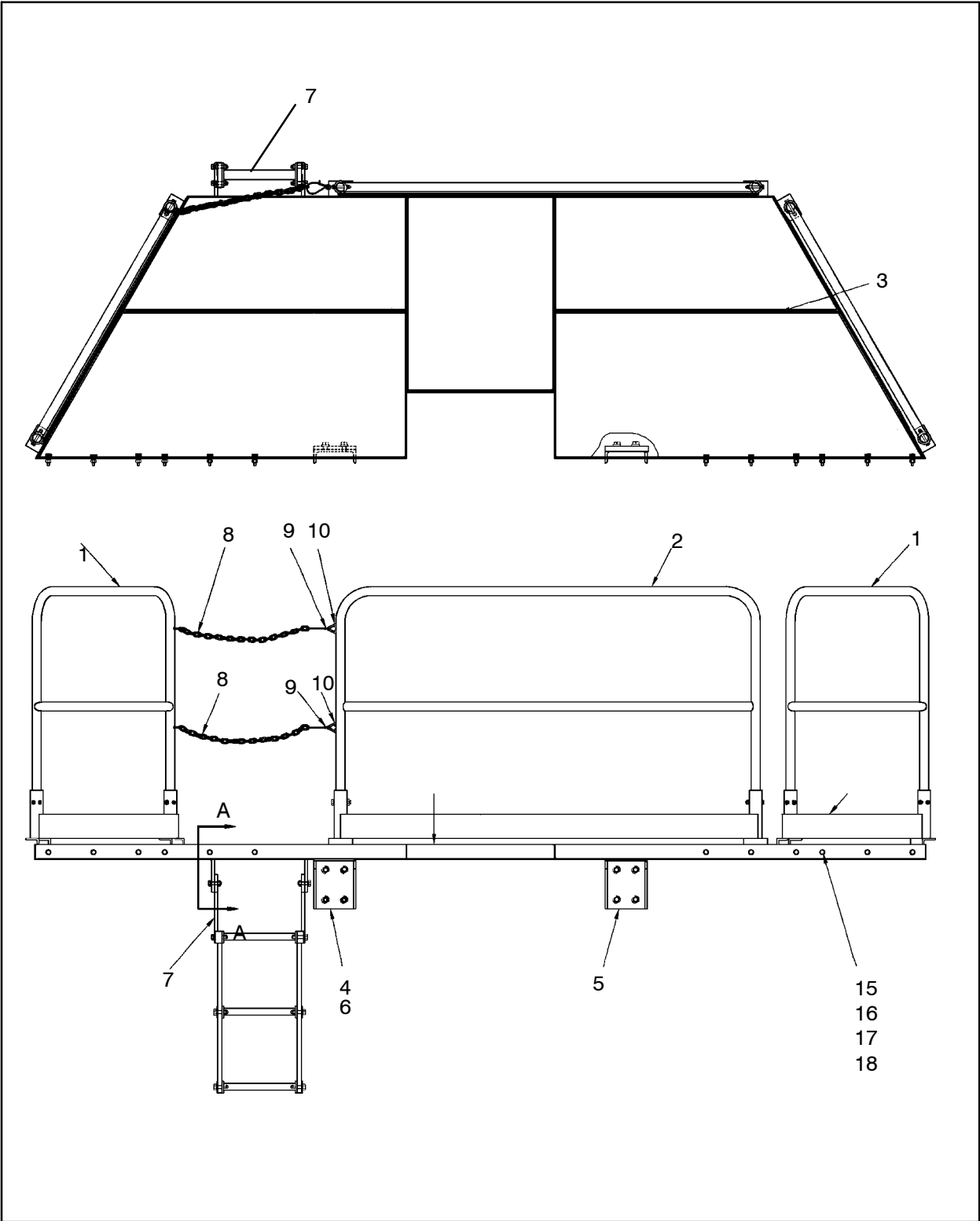
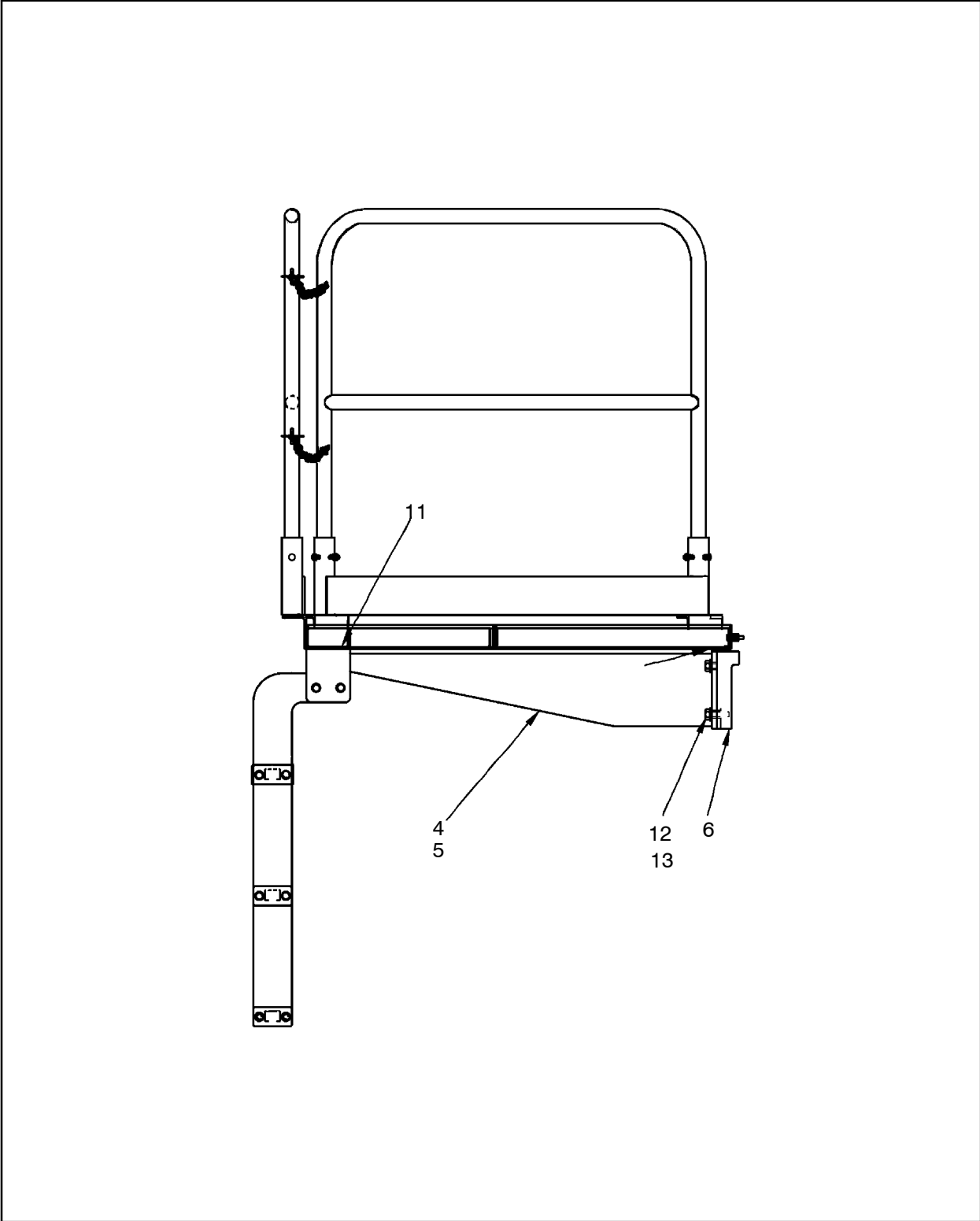


Figure 7 :DECK ASM,REAR PLATFORM
D57674947 REV 000

57674947 DECK ASM,REAR PLATFORM



DECK ASM,REAR PLATFORM
57674947

Figure 8 :DECK ASM,REAR PLATFORM
D57674947 REV 000

57674947 DECK ASM,REAR PLATFORM

DECK ASM,REAR PLATFORM
57674947

REF.	PART NO.	QTY.	UNIT	DESCRIPTION
001	57622243	2	EA	HANDRAIL
002	57455859	1	EA	HANDRAIL – 70
003	57480873	1	EA	FRAME PLATFORM
004	57455941	1	EA	SUPPORT – L.H.
005	57455958	1	EA	SUPPORT – R.H.
006	57455966	2	EA	BRACKET
	95922928	4	EA	● - NUT,HEX,FINISHED
007	57598690	1	EA	LADDER,DECKING (See figure 9)
008	50699321	50.00	IN	CHAIN, BULK – 3/16 COIL
009	57376246	2	EA	HOOK, SAFETY SNAP
010	56801053	2	EA	LINK
011	57074726	1	EA	ANGLE
012	95934378	8	EA	CAPSCREW,HEX – HEAD,PLATED
013	95352415	8	EA	WASHER, LOCK – 3/4
015	95934584	12	EA	SCREW, CAP – 3/8 – 16 X1 – 1/2
016	95922654	12	EA	WASHER, LOCK – 3/8 HVYPLTD
017	95922373	24	EA	WASHER, FLAT – 3/8
018	95923223	12	EA	NUT,ELASTIC LOCK – 3/8 – 16

57674947 DECK ASM,REAR PLATFORM

This page is intentionally blank.

DECK ASM,REAR PLATFORM 57674947

57598690 LADDER,DECKING

DECK ASM,REAR PLATFORM
57674947

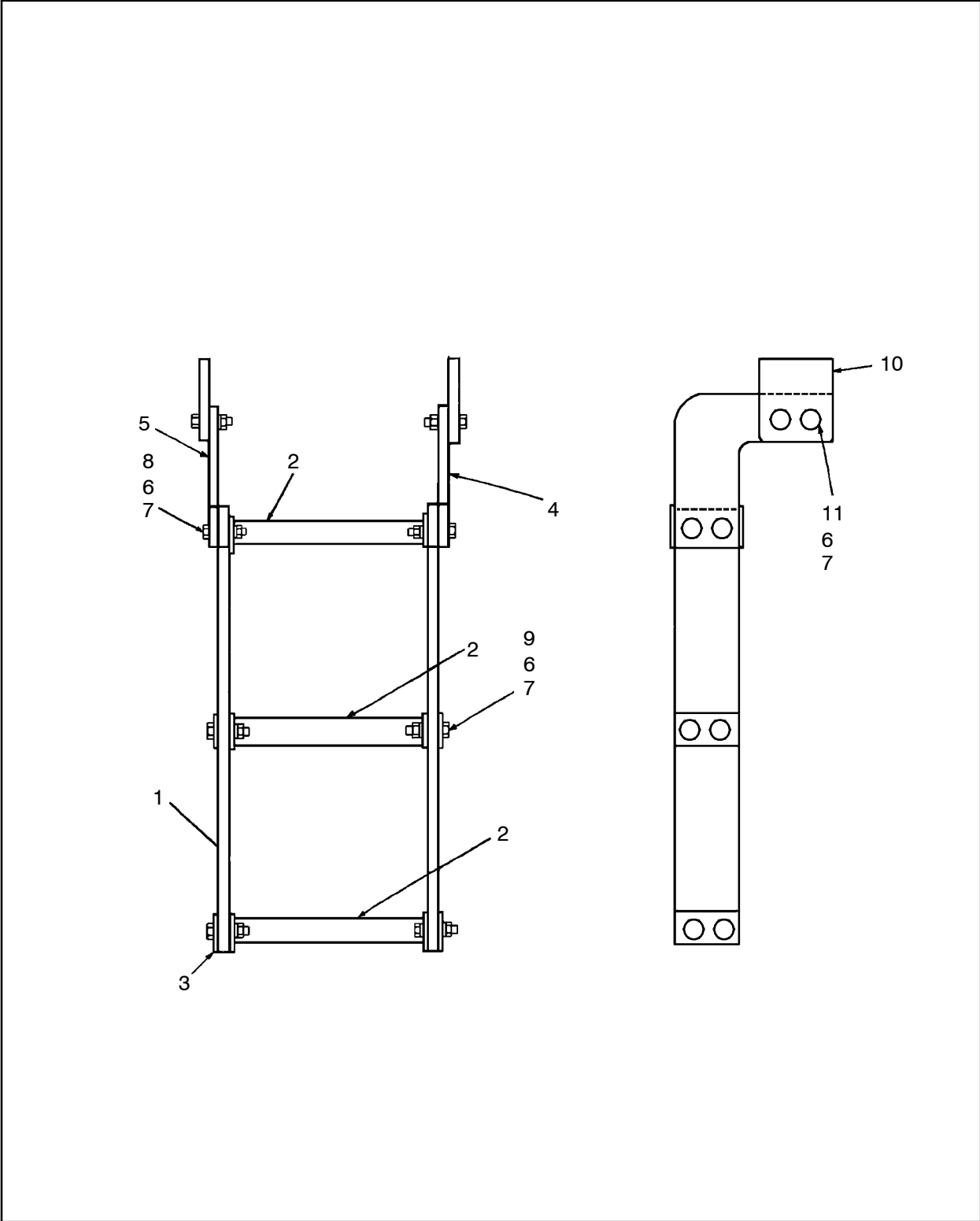


Figure 9 :LADDER,DECKING
C57598690 REV 000

57598690 LADDER,DECKING

REF.	PART NO.	QTY.	UNIT	DESCRIPTION
001	57596918	2	EA	BELTING,LADDER
002	57596900	3	EA	LADDER,STEP
003	57598708	4	EA	PLATE,LOCK-LADDER
004	57598716	1	EA	BRACKET,LH,MTG-LADDER
005	57598724	1	EA	BRACKET,RH,MTG-LADDER
006	95934733	16	EA	WASHER,LOCK
007	95922902	16	EA	NUT,HEX,FINISHED,PLATED
008	95104204	4	EA	CAPSCREW,HEX HEAD
009	95934469	8	EA	CAPSCREW,HEX HEAD
010	57596926	2	EA	PLATE,MTG-LADDER
011	95934451	4	EA	SCREW,CAP,HEXHEAD,PLATED

DECK ASM,REAR PLATFORM

57674947

57546152 HANDRAIL INSTL,VERT REC

HANDRAIL INSTL,VERT REC 57546152

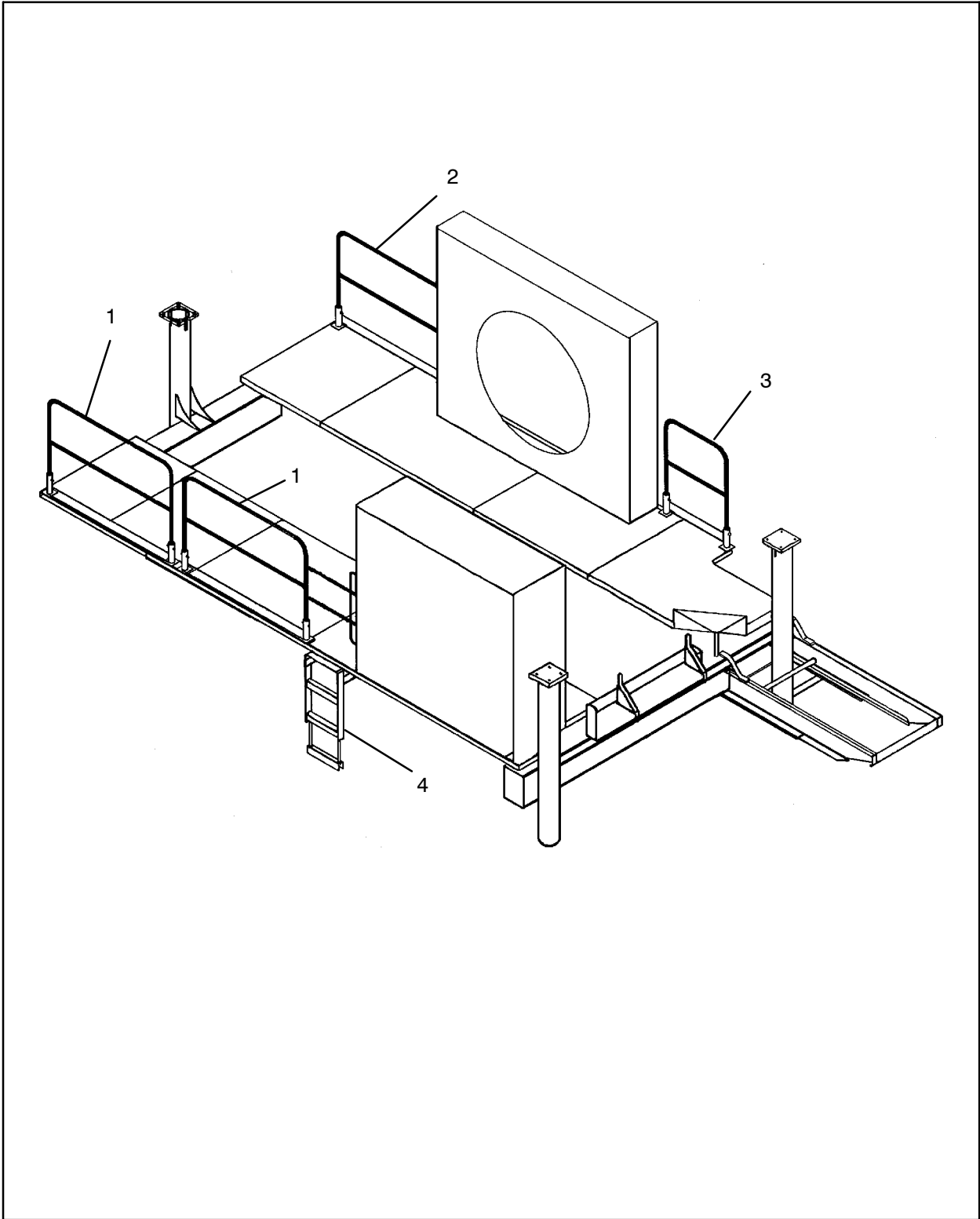


Figure 10 :HANDRAIL INSTL,VERT REC
E57546152 REV 000

57546152 HANDRAIL INSTL,VERT REC

REF.	PART NO.	QTY.	UNIT	DESCRIPTION
001	57471989	2	EA	HANDRAIL ASSY-60 CNTDIST
002	57424418	1	EA	HANDRAIL ASSY-50 CNTDIST
003	57424392	1	EA	HANDRAIL ASSY-30 CNTDIST
004	57491284	1	EA	STEP INSTL-DC SIDE

(See figure 11)

HANDRAIL INSTL,VERT REC 57546152

57491284 STEP INSTL-DC SIDE

HANDRAIL INSTL, VERT REC 57546152

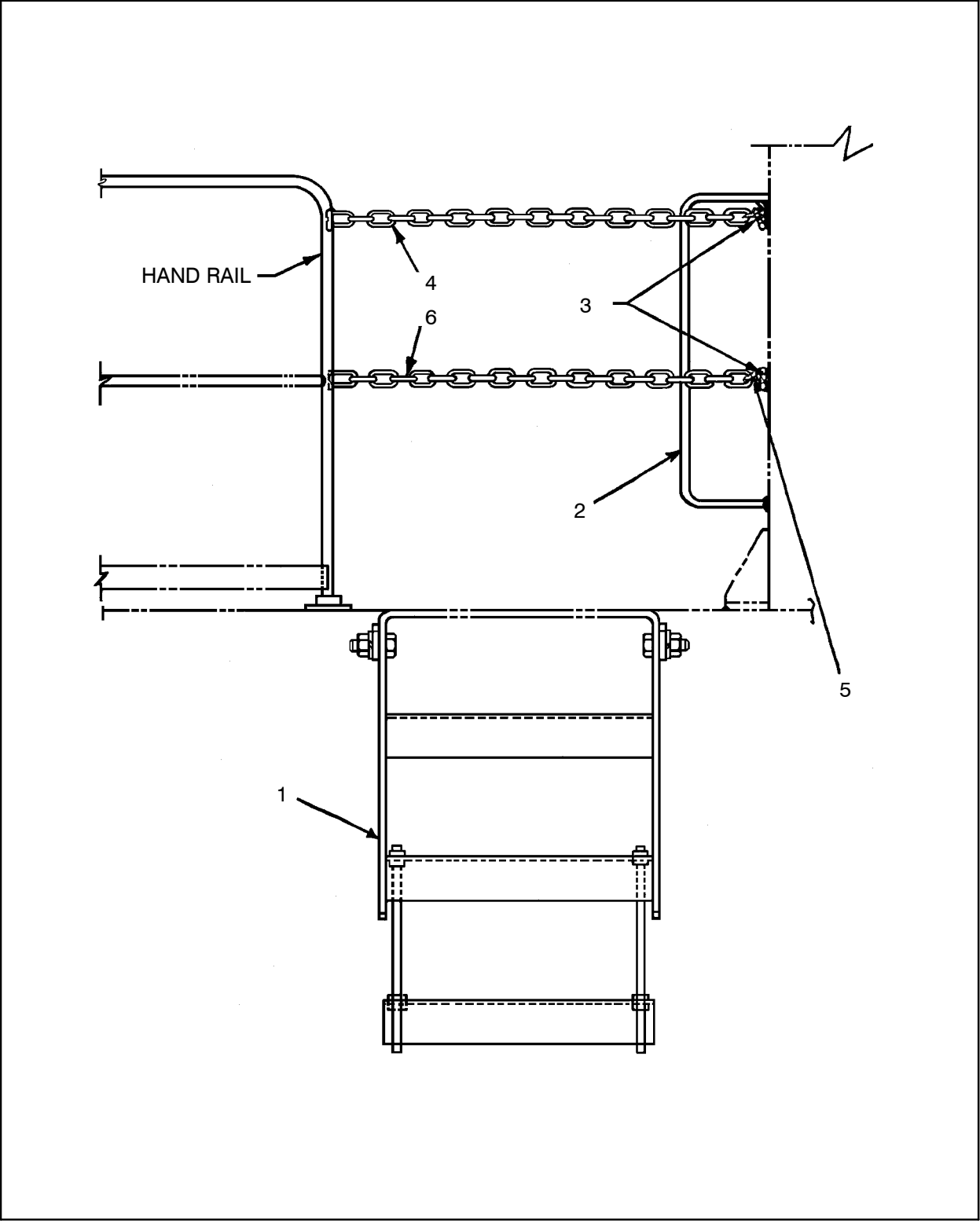


Figure 11 :STEP INSTL-DC SIDE
C57491284 REV 01

57491284 STEP INSTL-DC SIDE

REF.	PART NO.	QTY.	UNIT	DESCRIPTION
001	57491276	1	EA	LADDER, STEP-DC SIDE
002	57455271	1	EA	HANDLE, STEP
003	56801053	2	EA	LINK
004	50699321	30.00	IN	CHAIN, BULK-3/16 COIL
005	57376246	2	EA	HOOK, SAFETY SNAP
006	50699321	30.00	IN	CHAIN, BULK-3/16 COIL

HANDRAIL INSTL, VERT REC 57546152

57505455

ENCLOSURE,AREA POWERPACK

ENCLOSURE,AREA POWERPACK
57505455

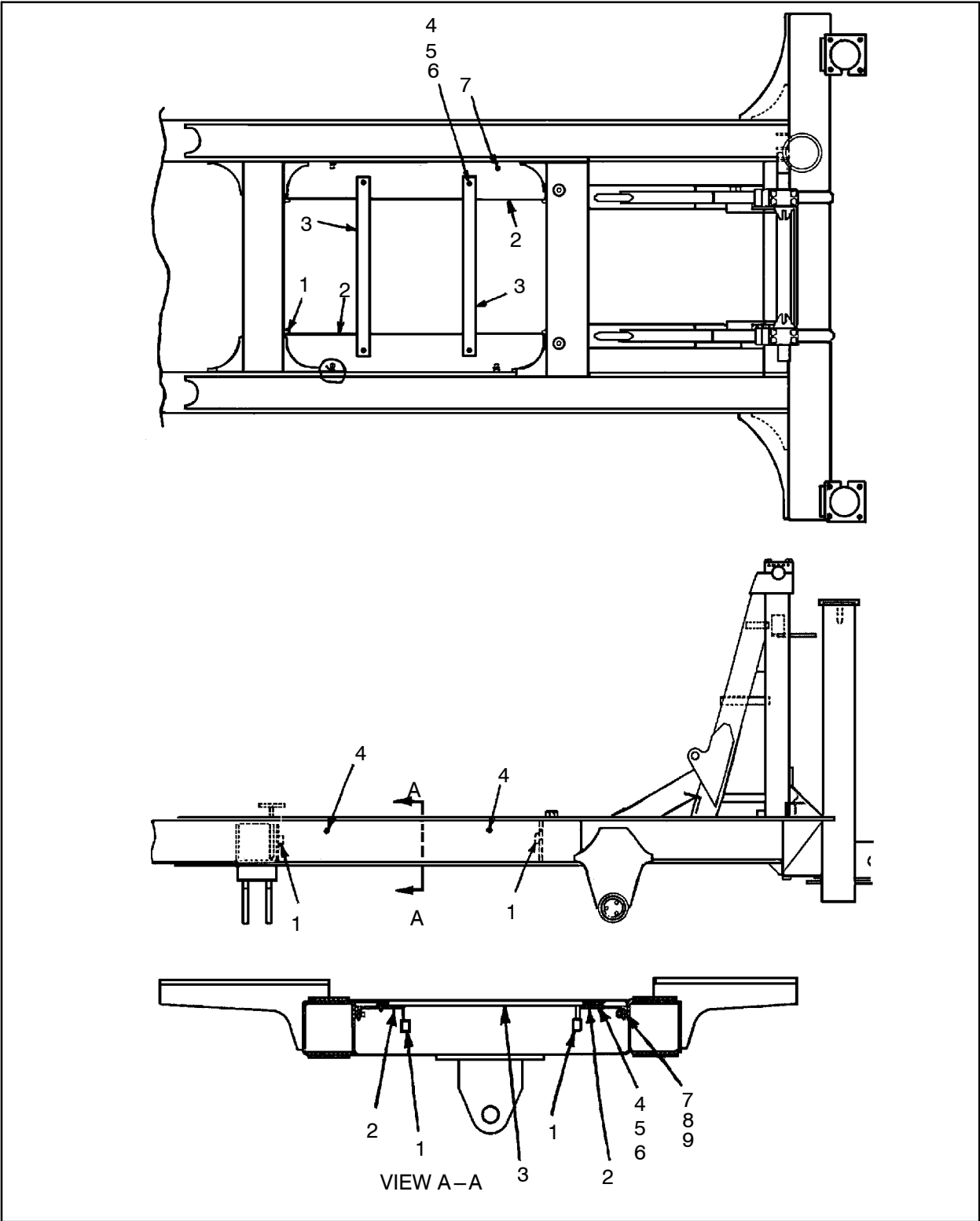


Figure 12 :ENCLOSURE,AREA POWERPACK
E57505455 REV 000

57505455 ENCLOSURE,AREA POWERPACK

REF.	PART NO.	QTY.	UNIT	DESCRIPTION
001	57009193	4	EA	BAR, SQUARE
002	57422768	2	EA	ENCLOSURE, POWER PACK
003	57481251	2	EA	STRAP, ENCLOSURE-PWRPACK
004	95920724	4	EA	SCREW, CAP-1/4-20 X1-1/2
005	95934766	4	EA	WASHER, LOCK, HELICAL
006	95931564	4	EA	NUT, HEX, FINISHED
007	95934378	4	EA	CAPSCREW, HEX-HEAD, PLATED
008	95922928	4	EA	NUT, HEX, FINISHED
009	95934691	4	EA	WASHER, LOCK, HELICAL

ENCLOSURE, AREA POWERPACK
57505455

UNDERCARRIAGE/TRACKS

SECTION

UNDERCARRIAGE/TRACKS

This page is intentionally blank.

SECTION

UNDERCARRIAGE/TRACKS

57483661 TRACK ASSY – CAT330W/Y&AMT

TRACK ASSY – CAT330W/Y&AMT
57483661

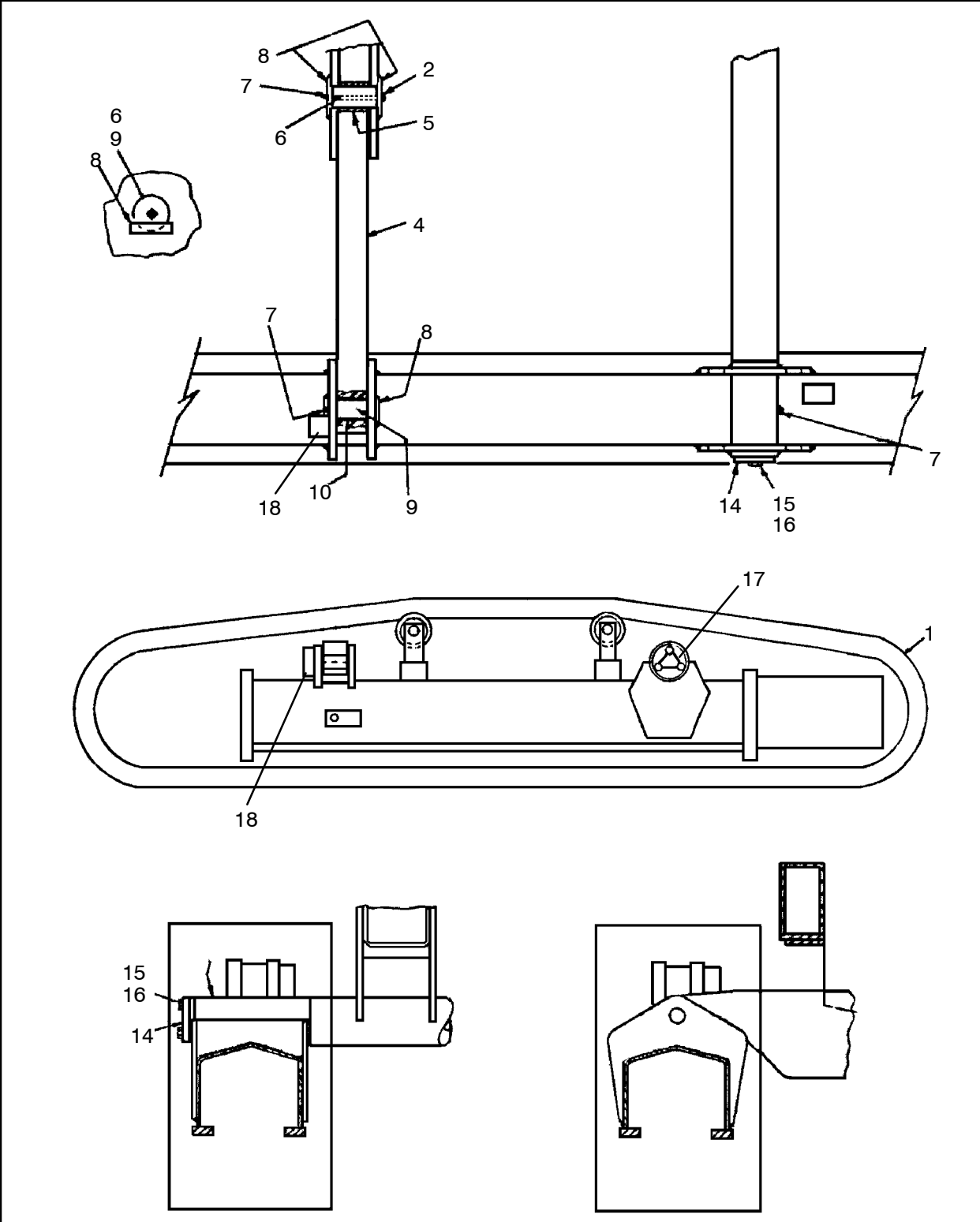


Figure 12 :TRACK ASSY – CAT330W/Y&AMT
D57483661 REV 02

57483661 TRACK ASSY – CAT330W/Y&AMT

REF.	PART NO.	QTY.	UNIT	DESCRIPTION
001	57483653	1	EA	UNDERCARRIAGE,330S W/Y&A (See figure 13)
002	95201281	1	EA	FITTING, LUBE
004	57383077	1	EA	YOKE,OSCILLATION – DML
005	57180184	1	EA	BUSHING, CENTER
006	57180168	1	EA	PIN, CENTER
007	95201281	6	EA	FITTING, LUBE
008	56901853	6	EA	BAR, FLAT
009	57188112	2	EA	PIN, END YOKE
010	57309791	2	EA	BUSHING, YOKE END
014	58249608	2	EA	CAP,END
015	95443164	6	EA	SCREW,CAP
016	95359436	6	EA	WASHER, LOCK – 1
017	50344605	3.00	FT	WIRE, LOCK
018	57559387	2	EA	BRACKET, GREASE FITTING

TRACK ASSY – CAT330W/Y&AMT
57483661

57483653 UNDERCARRIAGE,330S W/Y&A

TRACK ASSY - CAT330W/Y&AMT
57483661

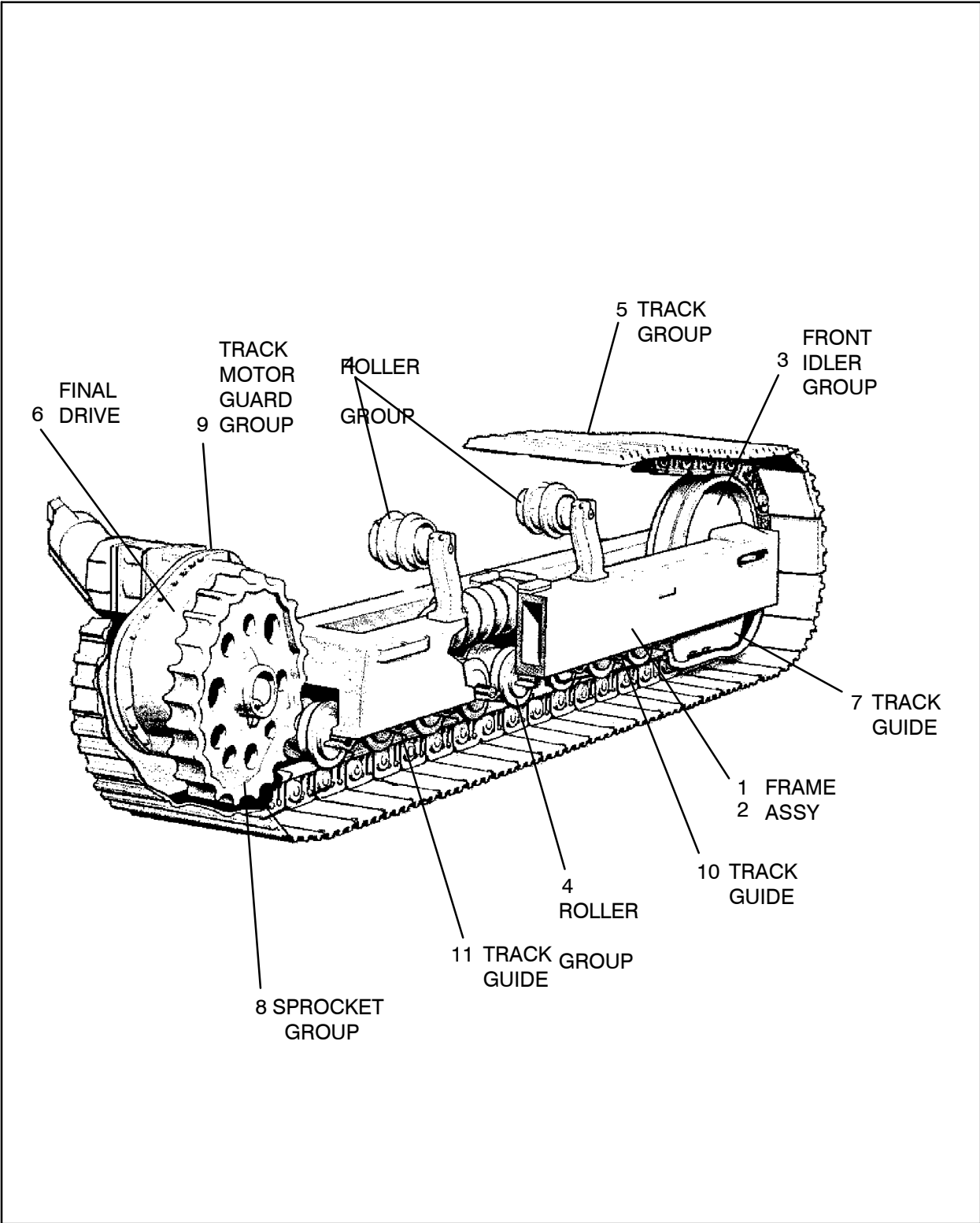


Figure 13 :UNDERCARRIAGE,330S W/Y&A
C57483653 REV 000

57483653 UNDERCARRIAGE,330S W/Y&A

REF.	PART NO.	QTY.	UNIT	DESCRIPTION
001	57566408	1	EA	FRAME ASSY,RH
002	57566416	1	EA	FRAME ASSY,LH
003	57522922	2	EA	FRONT IDLER GROUP (See figure 14)
004	57522930	2	EA	ROLLER GROUP (See figure 19)
005	57457673	2	EA	TRACK GROUP (See figure 22)
006	57522914	2	EA	FINAL DRIVE
	57457178	1	EA	● - DRIVE GROUP
	57416927	1	EA	● - PROPEL MOTOR
	57457194	1	EA	● - FINAL DRIVE GROUP (See figure 23)
	57457186	40	EA	● - WASHER
	57356776	40	EA	● - BOLT
007	57522955	2	EA	GUARD GROUP, TRACK GUIDE
	57457806	1	EA	● - GUARD ASSY
	57457814	4	EA	● - BOLT
	57457186	4	EA	● - WASHER
008	57522906	2	EA	SPROCKET GROUP
	57457152	1	EA	● - SPROCKET
	57457160	16	EA	● - BOLT
009	57563561	1	EA	GUARD GROUP-TCK MOT (See figure 24)
010	57522989	1	EA	GUARD GROUP, TRACK GUIDE (See figure 25)
011	57522971	1	EA	GUARD GROUP, TRACK GUIDE (See figure 26)

TRACK ASSY - CAT330W/Y&AMT
57483661

57522922 FRONT IDLER GROUP

TRACK ASSY - CAT330W/Y&AMT
57483661

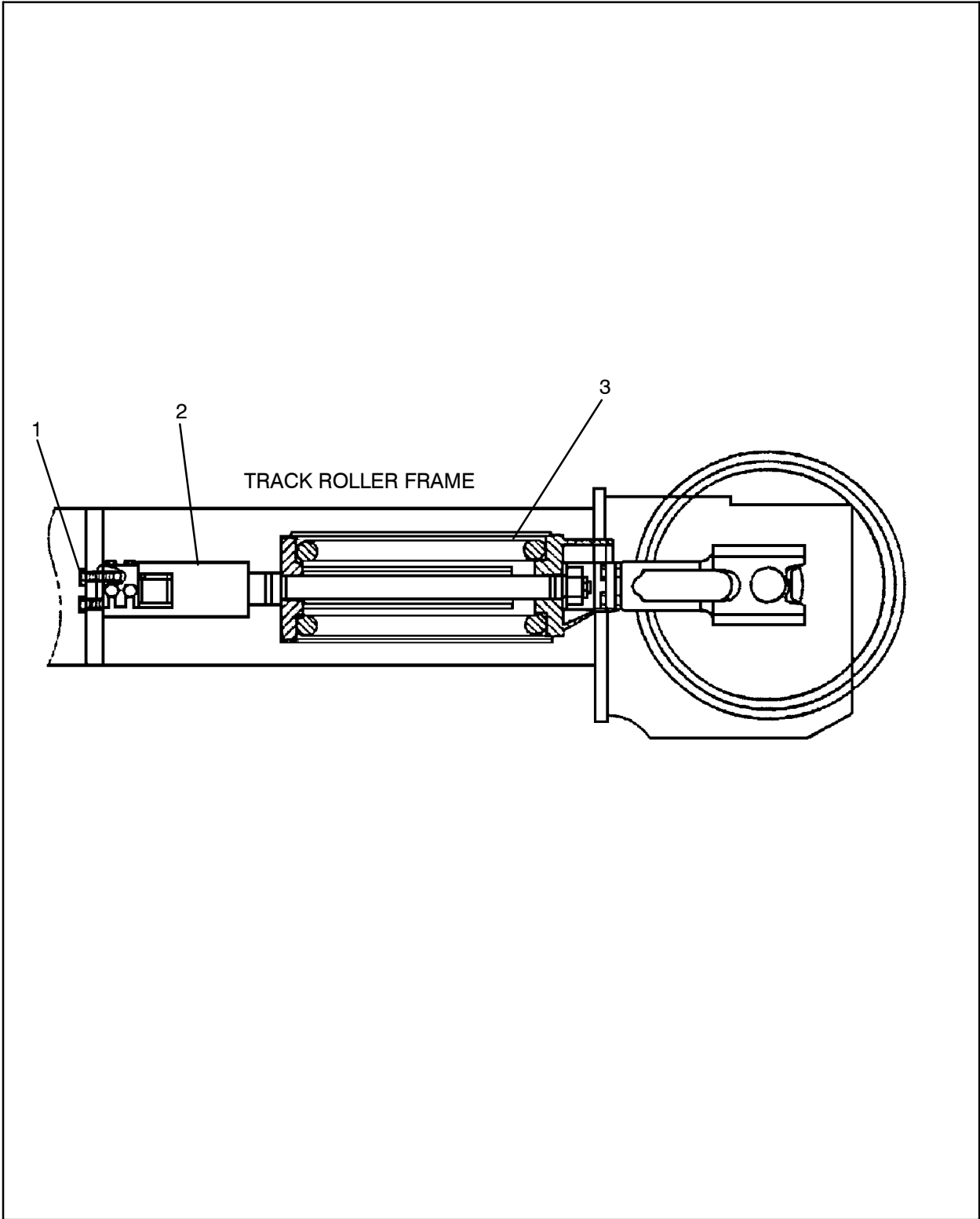


Figure 14 :FRONT IDLER GROUP
C57522922 REV 000

57522922 FRONT IDLER GROUP

REF.	PART NO.	QTY.	UNIT	DESCRIPTION
001	57356479	4	EA	BOLT
002	57457319	1	EA	RH TRACK ADJUSTER GROUP <i>(See figure 15)</i>
002	57457327	1	EA	LH TRACK ADJUSTER GROUP <i>(See figure 16)</i>
003	57457335	2	EA	FRONT IDLER GROUP
	57457434	1	EA	●- RECOIL SPRING GROUP <i>(See figure 17)</i>
	57355026	4	EA	●- BOLT
	57457442	1	EA	●- FRONT IDLER <i>(See figure 18)</i>

TRACK ASSY - CAT330W/Y&AMT

57483661

57457319 RH TRACK ADJUSTER GROUP

TRACK ASSY - CAT1330W/Y&AMT
57483661

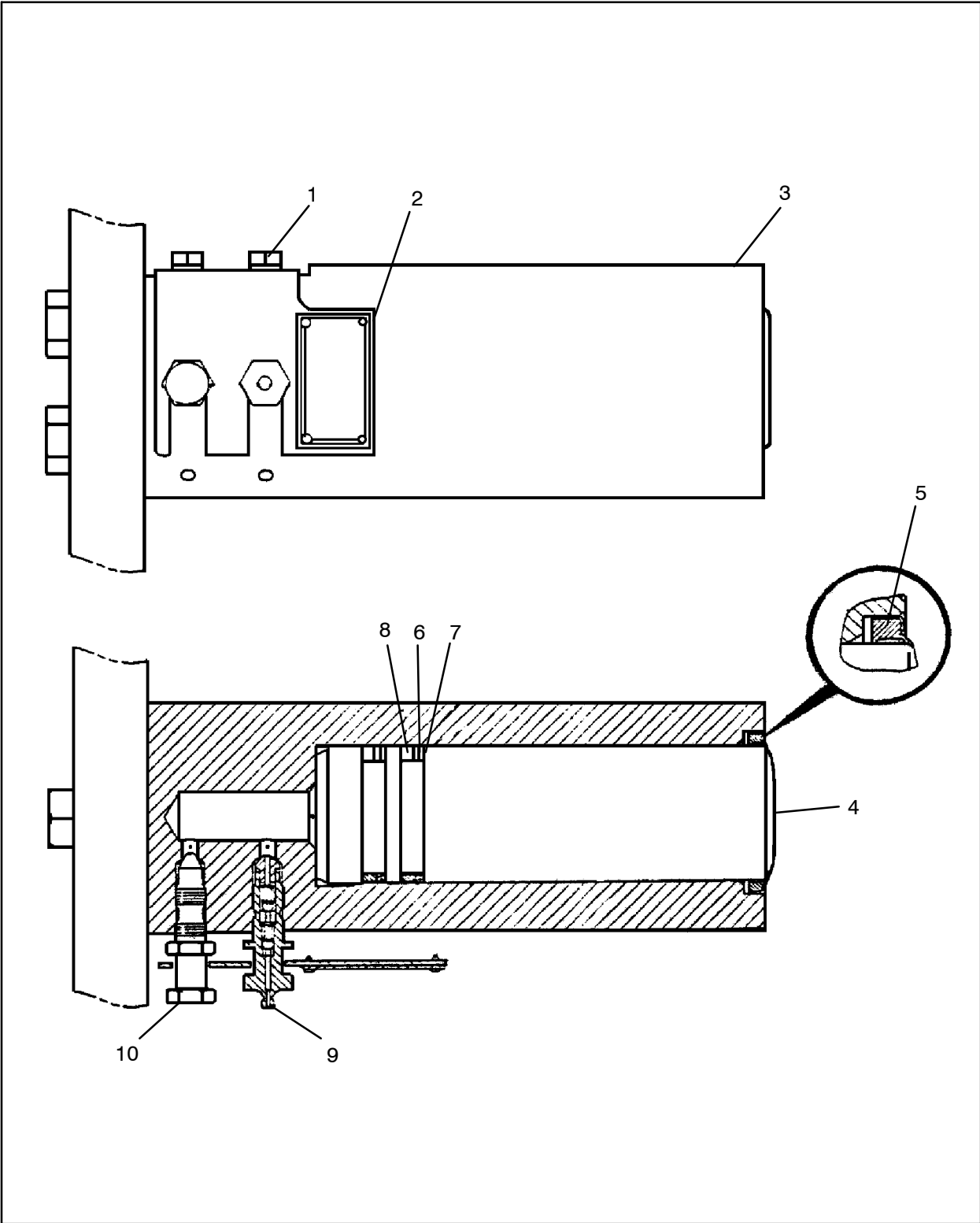


Figure 15 :RH TRACK ADJUSTER GROUP
C57457319 REV 000

57457319 RH TRACK ADJUSTER GROUP

REF.	PART NO.	QTY.	UNIT	DESCRIPTION
001	57356511	2	EA	BOLT
002	57563355	1	EA	PLATE ASSY,RH,WARNING
003	57457368	1	EA	CYLINDER
004	57457384	1	EA	PISTON
005	57457376	1	EA	SEAL, LIP TYPE
006	57457392	2	EA	RING
007	57457400	2	EA	RING
008	57457418	2	EA	O-RING SEAL
009	57563389	1	EA	VALVE,FILL
010	50416551	1	EA	VALVE

TRACK ASSY - CAT330W/Y&AMT
57483661

57457327 LH TRACK ADJUSTER GROUP

TRACK ASSY - CAT1330W/Y&AMT
57483661

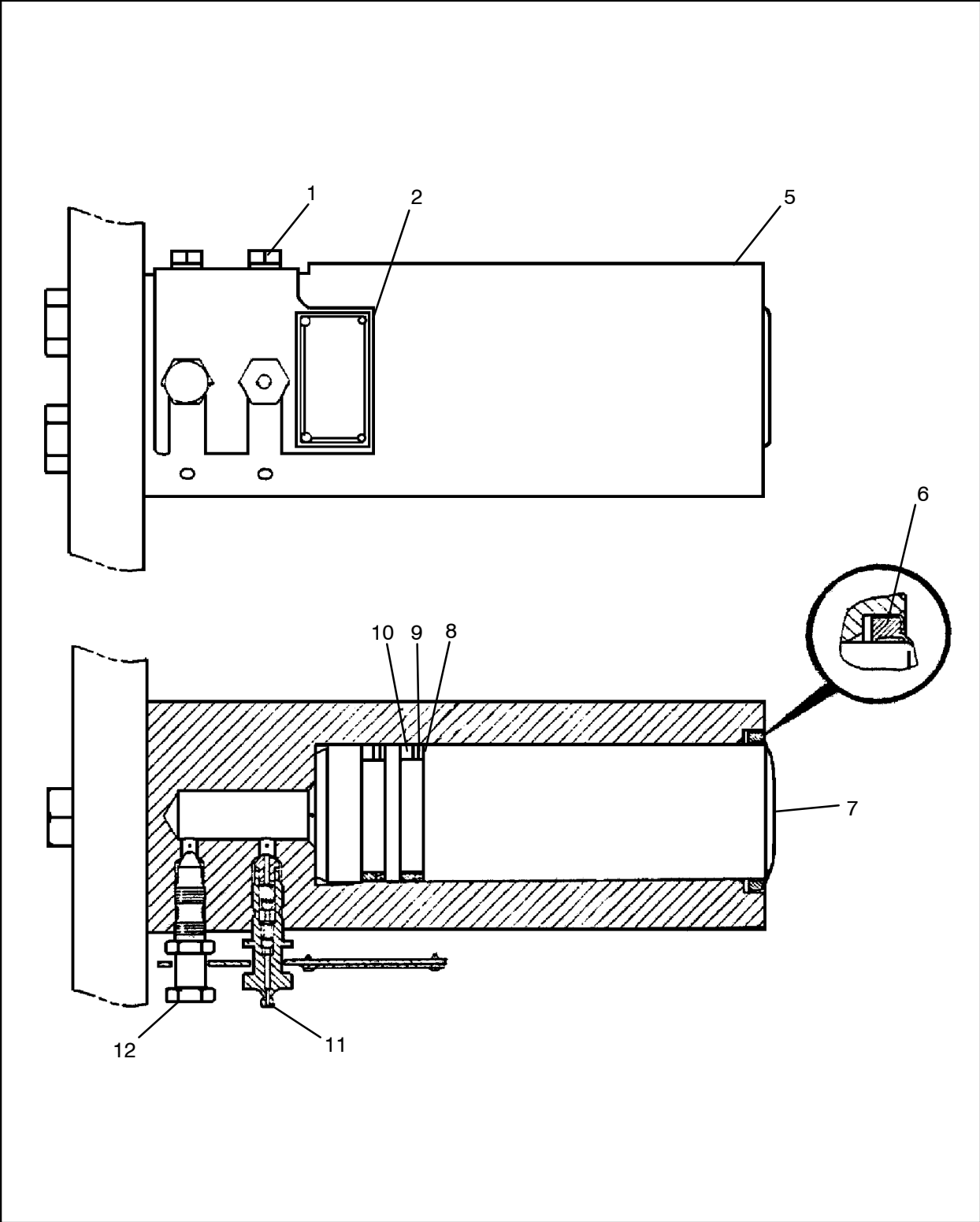


Figure 16 :LH TRACK ADJUSTER GROUP
A57388084 REV 00

57457327 LH TRACK ADJUSTER GROUP

REF.	PART NO.	QTY.	UNIT	DESCRIPTION
001	57356511	2	EA	BOLT
002	57457350	1	EA	WARNING PLATE ASSY-LH
005	57457368	1	EA	CYLINDER
006	57457376	1	EA	SEAL, LIP TYPE
007	57457384	1	EA	PISTON
008	57457392	2	EA	RING
009	57457400	2	EA	RING
010	57457418	2	EA	O-RING SEAL
011	57456691	1	EA	VALVE
012	50416551	1	EA	VALVE

TRACK ASSY - CAT330W/Y&AMT
57483661

57457434 RECOIL SPRING GROUP

TRACK ASSY - CAT330W/Y&AMT
57483661

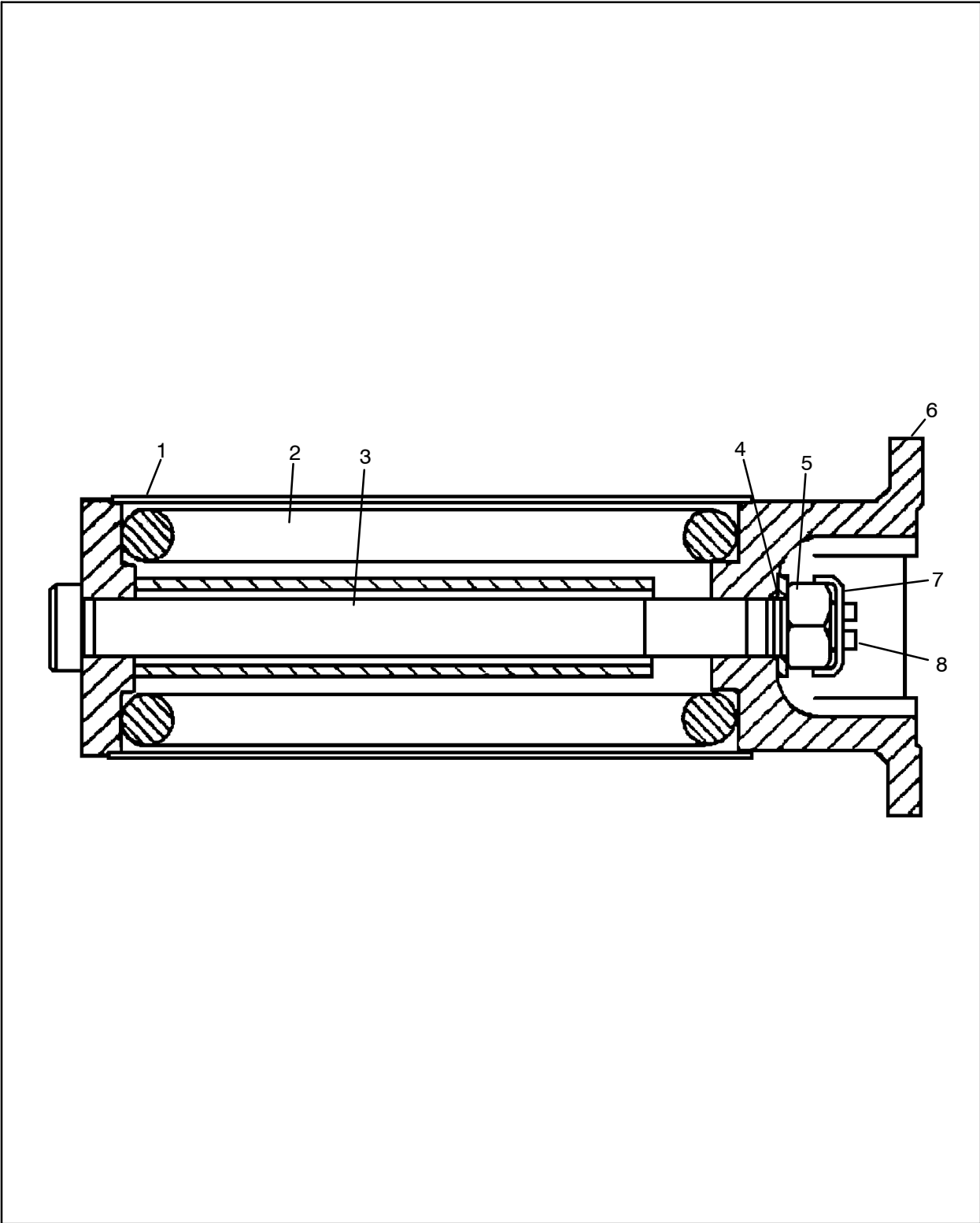


Figure 17 :RECOIL SPRING GROUP
C57457434 REV 000

57457434 RECOIL SPRING GROUP

REF.	PART NO.	QTY.	UNIT	DESCRIPTION
001	57457459	1	EA	SUPPORT ASSEMBLY
002	57457467	1	EA	SPRING
003	57457475	1	EA	ROD
004	57356669	1	EA	WASHER-HARD
005	57356677	1	EA	NUT
006	57457491	1	EA	SUPPORT
007	57356693	1	EA	STRIP
008	57356701	2	EA	BOLT-SOCKETHEAD

TRACK ASSY - CAT330W/Y&AMT
57483661

57457442 FRONT IDLER

TRACK ASSY - CAT330W/Y&AMT
57483661

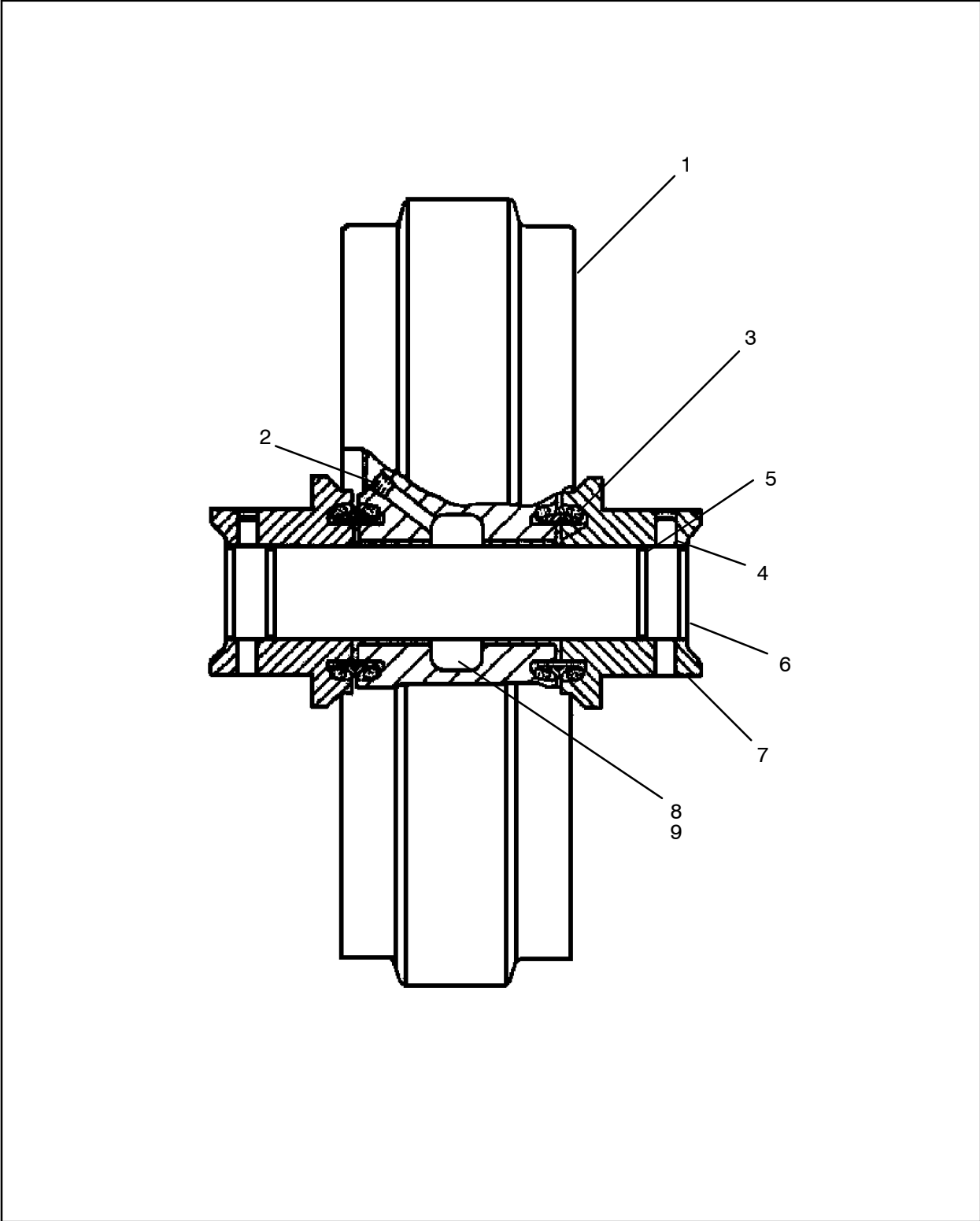


Figure 18 :FRONT IDLER
C57457442 REV 000

57457442 FRONT IDLER

REF.	PART NO.	QTY.	UNIT	DESCRIPTION
001	57564338	1	EA	IDLER ASSEMBLY
	57564353	1	EA	● - IDLER ASSEMBLY
	57564346	2	EA	● - BEARING,IDLER
002	57356768	1	EA	PLUG-PIPE
003	57564304	2	EA	SEAL GROUP,DUO CONE
	57566325	2	EA	● - SEAL,RING
	57026841	2	EA	● - RING
	57566317	1	EA	● - SEAL GROUP,DUO CONE
004	57457525	2	EA	PIN
005	57102352	2	EA	SEAL
006	57457533	1	EA	SHAFT
007	57457541	2	EA	BEARING, FRAME IDLER
008	57564320	1	EA	HUB ASSY,IDLER
009	57564312	1	EA	HUB ASSY,IDLER

TRACK ASSY - CAT330W/Y&AMT

57483661

57522930 ROLLER GROUP

TRACK ASSY - CAT330W/Y&AMT
57483661

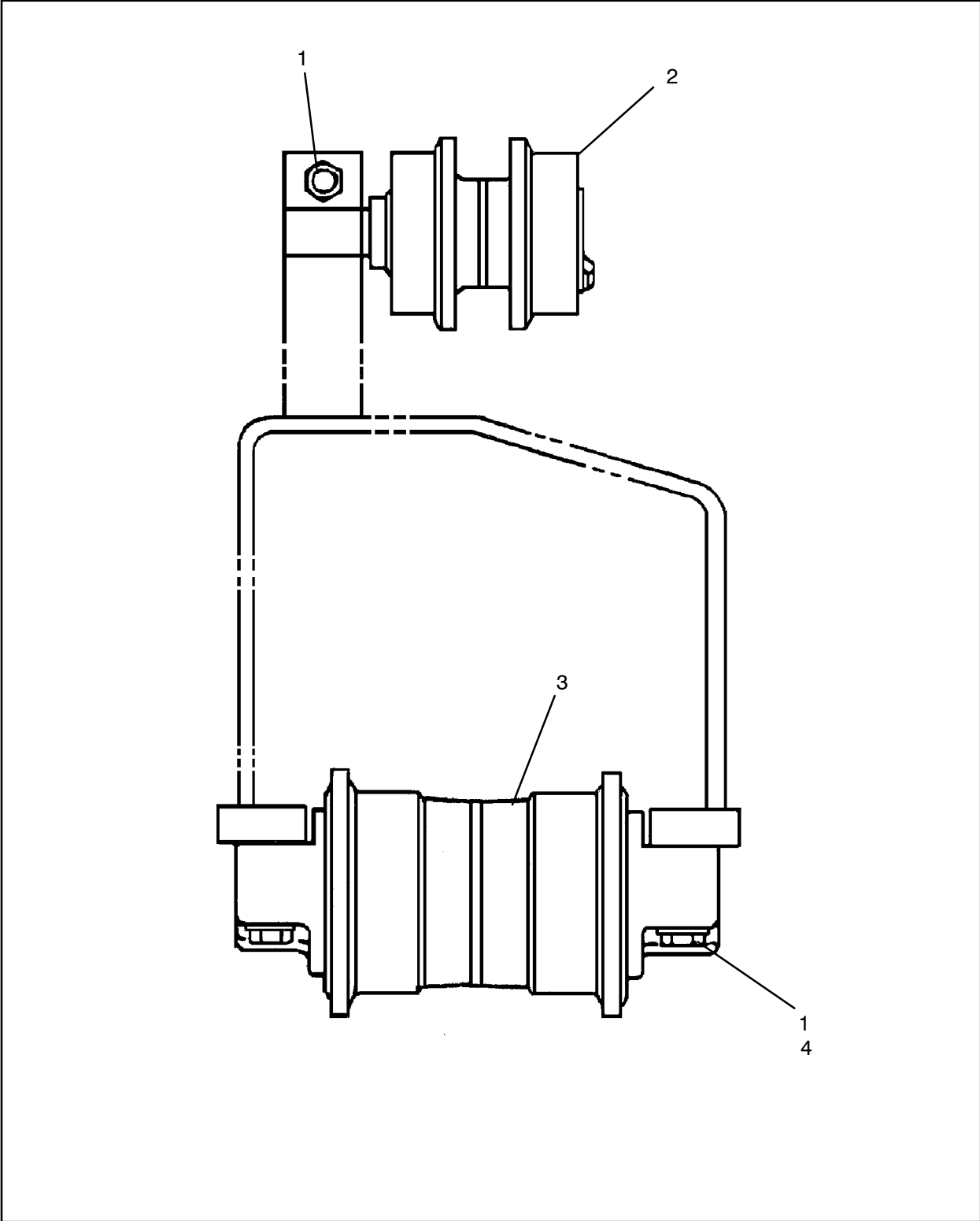


Figure 19 :ROLLER GROUP
C57522930 REV 000

57522930 ROLLER GROUP

REF.	PART NO.	QTY.	UNIT	DESCRIPTION
001	57457558	60	EA	BOLT
002	57457566	4	EA	CARRIER ROLLER GROUP (See figure 20)
003	57564213	14	EA	ROLLER GROUP,SFLG (See figure 21)
004	57457186	56	EA	WASHER

TRACK ASSY - CAT330W/Y&AMT
57483661

57457566 CARRIER ROLLER GROUP

TRACK ASSY - CAT1330W/Y&AMT
57483661

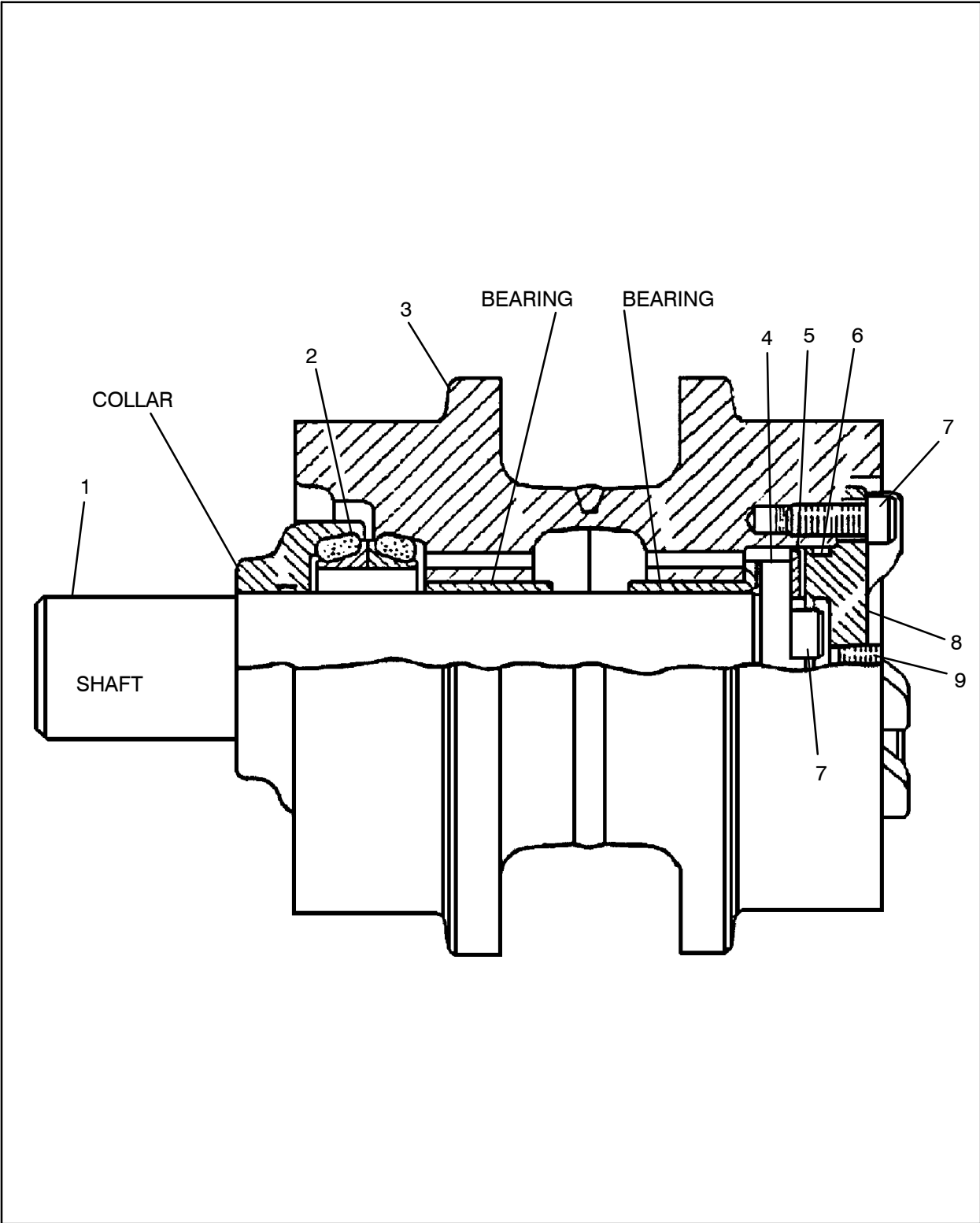


Figure 20 :CARRIER ROLLER GROUP
C57457566 REV 000

57457566 CARRIER ROLLER GROUP

REF.	PART NO.	QTY.	UNIT	DESCRIPTION
001	57457590	1	EA	SHAFT ASSY
	57562985	1	EA	● - SHAFT,TCK ROLLER
	57562993	1	EA	● - COLLAR-RLR END
002	57563009	1	EA	SEAL GROUP
003	57457608	1	EA	ROLLER & BEARING ASSY
	57563017	1	EA	● - RIM AS-CARR RLR
	57563033	1	EA	● - BEARING-CARR RLR
	57563025	1	EA	● - BEARING-CARR RLR
004	57356859	1	EA	RETAINER
005	57356867	1	EA	WASHER-THRUST
006	50727429	1	EA	SEAL
007	57356875	5	EA	BOLT-SOCKETHEAD
008	57356834	1	EA	COVER-CARRIER ROLLER
009	57356768	1	EA	PLUG-PIPE

TRACK ASSY - CAT330W/Y&AMT
57483661

57564213 ROLLER GROUP,SFLG

TRACK ASSY - CAT330W/Y&AMT
57483661

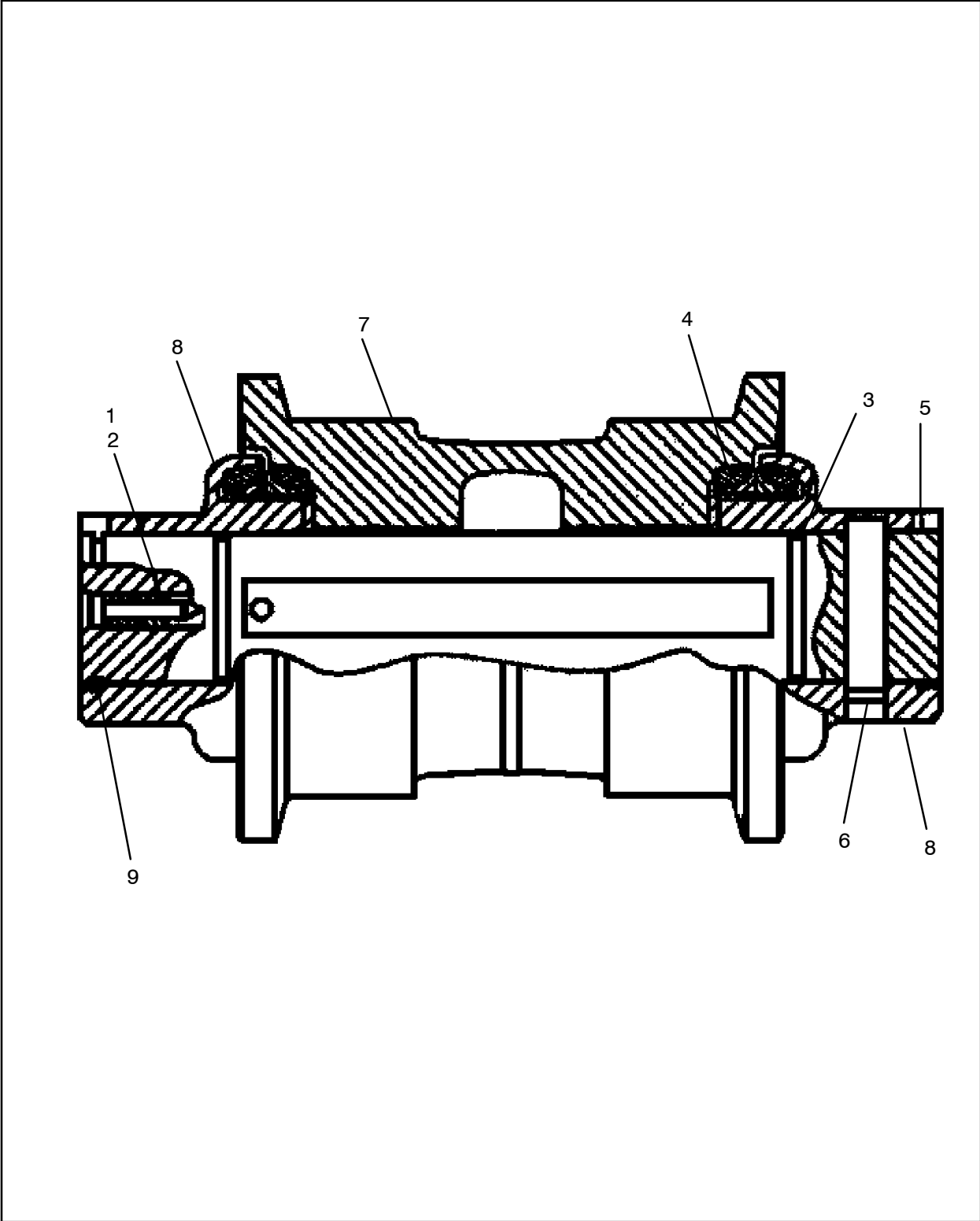


Figure 21 :ROLLER GROUP,SFLG
C57564213 REV 000

57564213 ROLLER GROUP,SFLG

REF.	PART NO.	QTY.	UNIT	DESCRIPTION
001	57356883	1	EA	STOPPER-RUBBER
002	57356891	1	EA	PLUG-CLEAR
003	57027310	2	EA	SEAL
004	57564254	2	EA	SEAL GROUP,DUO CONE
005	57564247	1	EA	SHAFT,TRACK ROLLER
006	57457632	1	EA	PIN
007	57457640	1	EA	ROLLER & BEARING ASSY
	57564239	1	EA	●- RIM ASSY,SFLG
	57564221	2	EA	●- BEARING,SLEEVE
008	57457657	2	EA	COLLAR
009	57457665	1	EA	RING
011	57564262	1	EA	ROLLER GROUP,SFLG

TRACK ASSY - CAT330W/Y&AMT

57483661

57457673 TRACK GROUP

TRACK ASSY - CAT1330W/Y&AMT
57483661

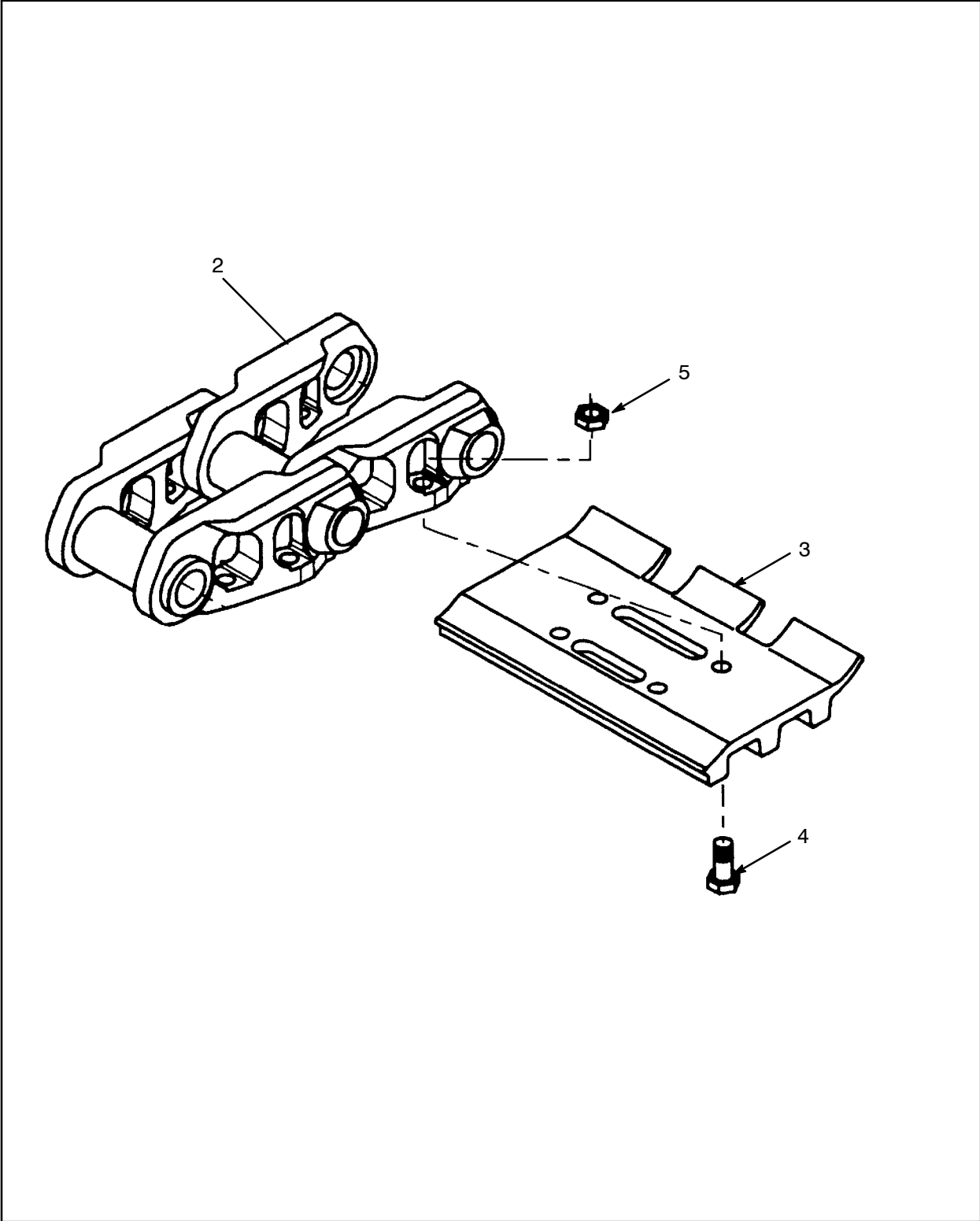


Figure 22 :TRACK GROUP
C57457673 REV 000

57457673 TRACK GROUP

REF.	PART NO.	QTY.	UNIT	DESCRIPTION
002	57566424	1	EA	TRACK GROUP
003	57418006	45	EA	SHOE, TRACK
004	57417982	180	EA	BOLT, TRACK
005	57417990	180	EA	NUT, TRACK

TRACK ASSY - CAT330W/Y&AMT
57483661

57457194 FINAL DRIVE GROUP

TRACK ASSY - CAT330W/Y&AMT
57483661

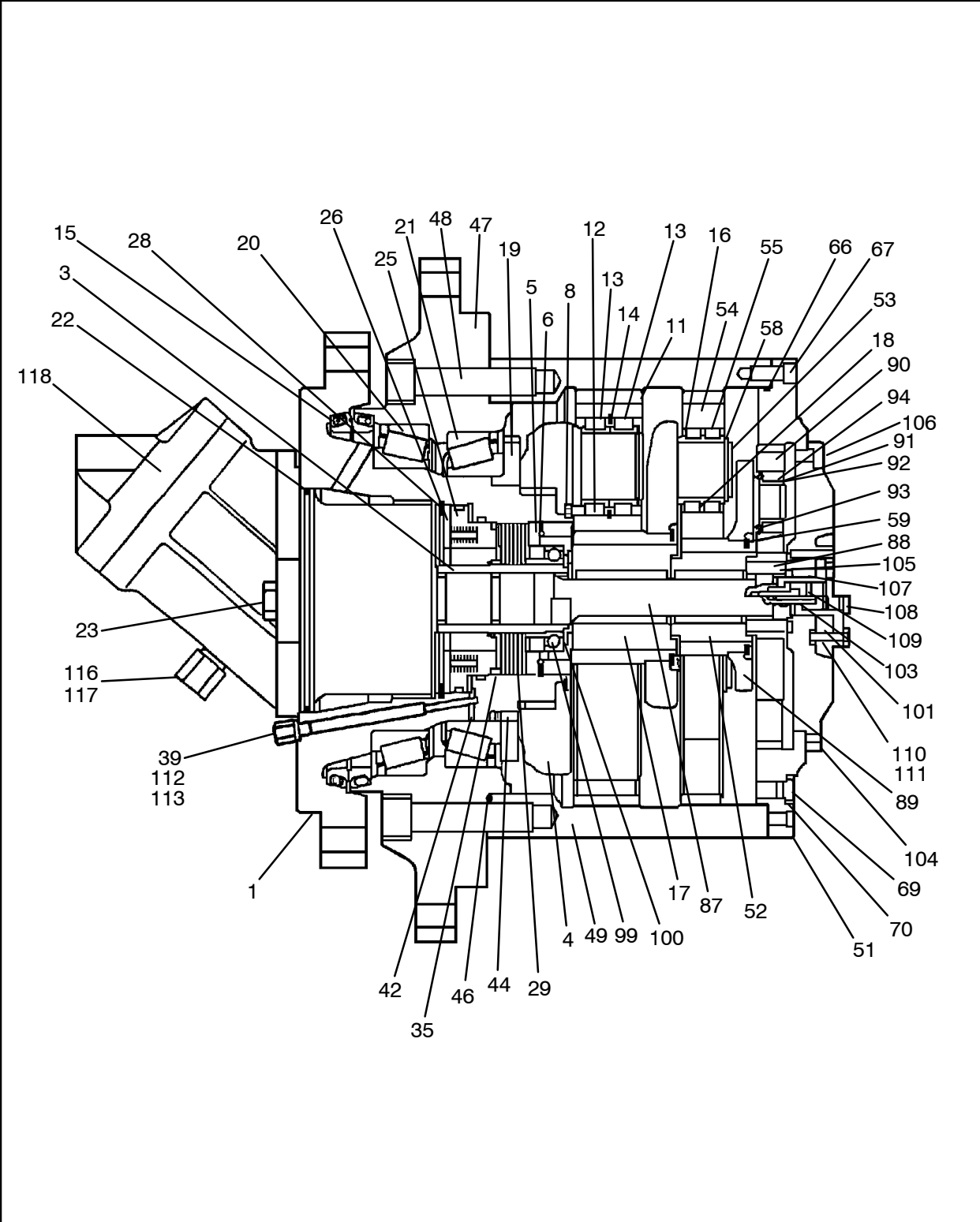


Figure 23 :FINAL DRIVE GROUP
B57457194 REV00

57457194 FINAL DRIVE GROUP

REF.	PART NO.	QTY.	UNIT	DESCRIPTION
001	57552960	1	EA	SPINDLE
003	57552978	1	EA	COUPLER
004	57552986	1	EA	CARRIER, PLANET
005	57552994	1	EA	RING, PILOT
006	57552440	1	EA	RING, SNAP
008	57553018	1	EA	RING, SNAP
011	57553026	5	EA	PLANET GEAR
012	57553034	10	EA	PLANET BEARING
013	57553042	10	EA	LOCATING RING
014	57553059	5	EA	RING, SNAP
015	57553067	1	EA	SEAL, FACE
016	57553075	5	EA	RING, SNAP
017	57553083	1	EA	GEAR, SUN
018	57553091	1	EA	RING, SNAP
019	57553109	1	EA	NUT, SHAFT
020	57553117	1	EA	BEARING, TAP ROLLER
021	57553125	1	EA	BEARING, TAP ROLLER
022	57553133	1	EA	RING, O
023	57552556	2	EA	BOLT, HEX HEAD
025	57552572	1	EA	PISTON
026	57552580	1	EA	PLATE, BACK UP
028	57552598	1	EA	RING, SNAP
029	57457293	1	EA	KIT-DISC(BRAKE)
035	57457301	1	EA	KIT-SEAL(BRAKE)
039	57552622	1	EA	PLUG, CAP
042	57552630	1	EA	PLUG, EXPANDING
044	57553224	2	EA	PIN, DOWEL
046	57553232	1	EA	RING, O
047	57553240	1	EA	FLANGE, INTERMEDIATE
048	57553257	24	EA	BOLT, SOCKET HEAD
049	57553265	1	EA	GEAR, RING
051	57553273	1	EA	COVER, RING GEAR
052	57553281	1	EA	GEAR, SUN
053	57553299	1	EA	CARRIER, PLANET
054	57553307	3	EA	PLANET GEAR
055	57553315	3	EA	PLANET BEARING
058	57552481	3	EA	RING, SNAP

TRACK ASSY - CAT330W/Y&AMT
57483661

57457194 FINAL DRIVE GROUP

TRACK ASSY - CAT330W/Y&AMT
57483661

REF.	PART NO.	QTY.	UNIT	DESCRIPTION
059	57553331	1	EA	RING, SNAP
066	57553349	1	EA	RING, O
067	57553356	12	EA	BOLT, SOCKET HEAD
069	57552747	2	EA	PLUG, SCREW
070	57552754	2	EA	RING, SEAL
087	57553380	1	EA	SHAFT, INPUT
088	57553398	1	EA	GEAR, SUN
089	57553406	1	EA	CARRIER, PLANET
090	57553414	3	EA	PLANET GEAR
091	57553422	3	EA	PLANET BEARING
092	57553430	3	EA	RING, SNAP
093	57553448	6	EA	LOCATING RING
094	57553455	6	EA	RING, SNAP
099	57553463	1	EA	BEARING, BALL
100	57553471	1	EA	WASHER, THRUST
101	57552820	1	EA	SLEEVE, LOCATING
103	57552846	1	EA	SLEEVE, SHIFT
104	57552812	1	EA	COVER
105	57553513	1	EA	WASHER, THRUST
106	57552879	12	EA	BOLT, HEX HEAD
107	57552887	1	EA	O-RING
108	57552895	1	EA	PLUG, SCREW
109	57552853	1	EA	BOLT, SOCKET HEAD
110	57553562	2	EA	BOLT, HEX HEAD
111	57552911	2	EA	BOLT, HEX HEAD
112	57552929	1	EA	ADAPTER
113	57552937	1	EA	RING, SEAL
116	57552242	1	EA	ADAPTER
117	57552259	1	EA	RING, SEAL
118	57552267	1	EA	MOTOR, HYDRAULIC

57457194 FINAL DRIVE GROUP

This page is intentionally blank.

TRACK ASSY - CAT330W/Y&AMT
57483661

57563561 GUARD GROUP – TCK MOT

TRACK ASSY – CAT330W/Y&AMT
57483661

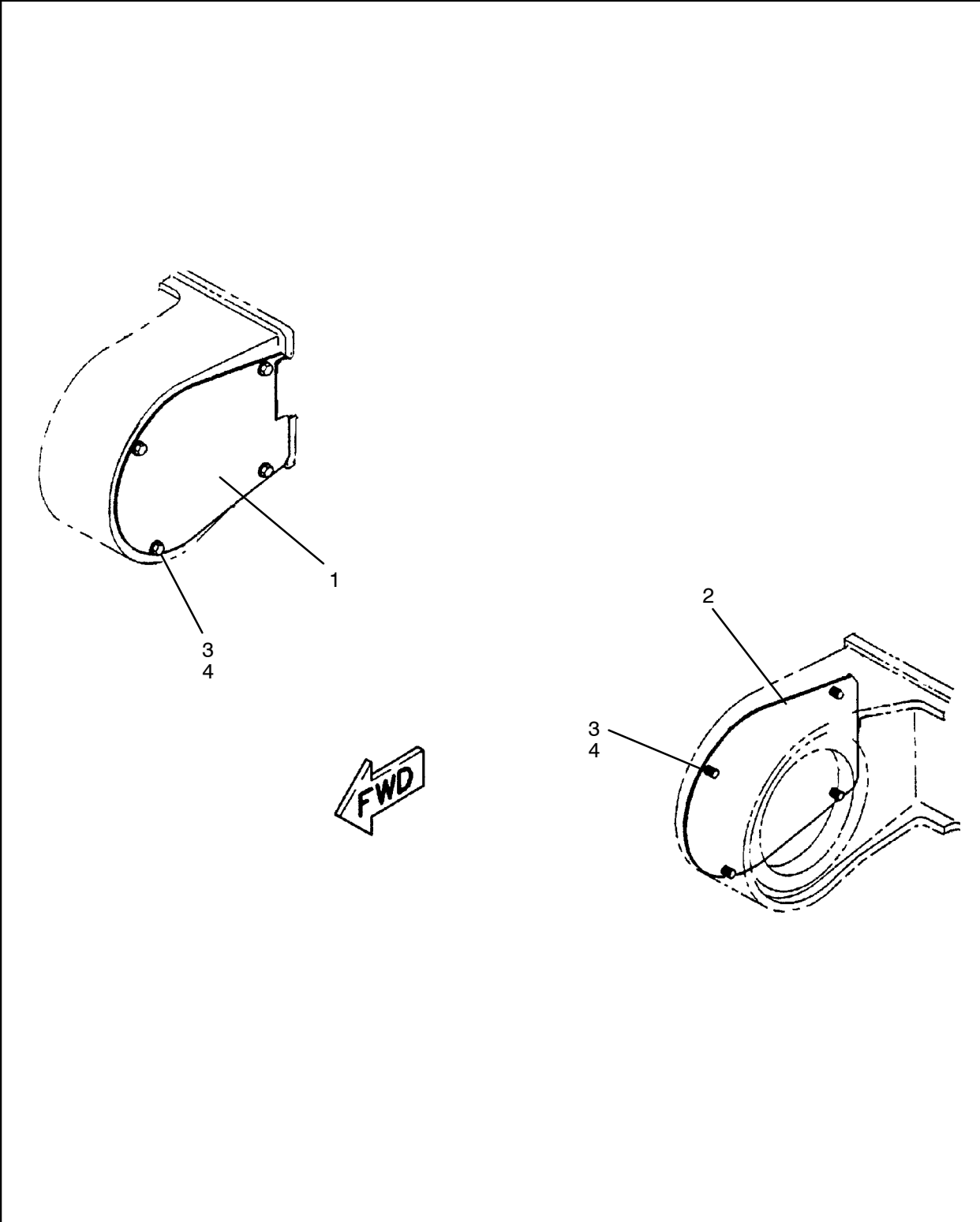


Figure 24 :GUARD GROUP– TCK MOT
C57563561 REV 000

57563561 GUARD GROUP – TCK MOT

REF.	PART NO.	QTY.	UNIT	DESCRIPTION
001	57457780	1	EA	COVER ASSY
002	57457798	1	EA	COVER ASSY
003	57357097	10	EA	WASHER
004	57457772	10	EA	BOLT

TRACK ASSY – CAT330W/Y&AMT
57483661

57522989 GUARD GROUP, TRACK GUIDE

TRACK ASSY - CAT1330W/Y&AMT
57483661

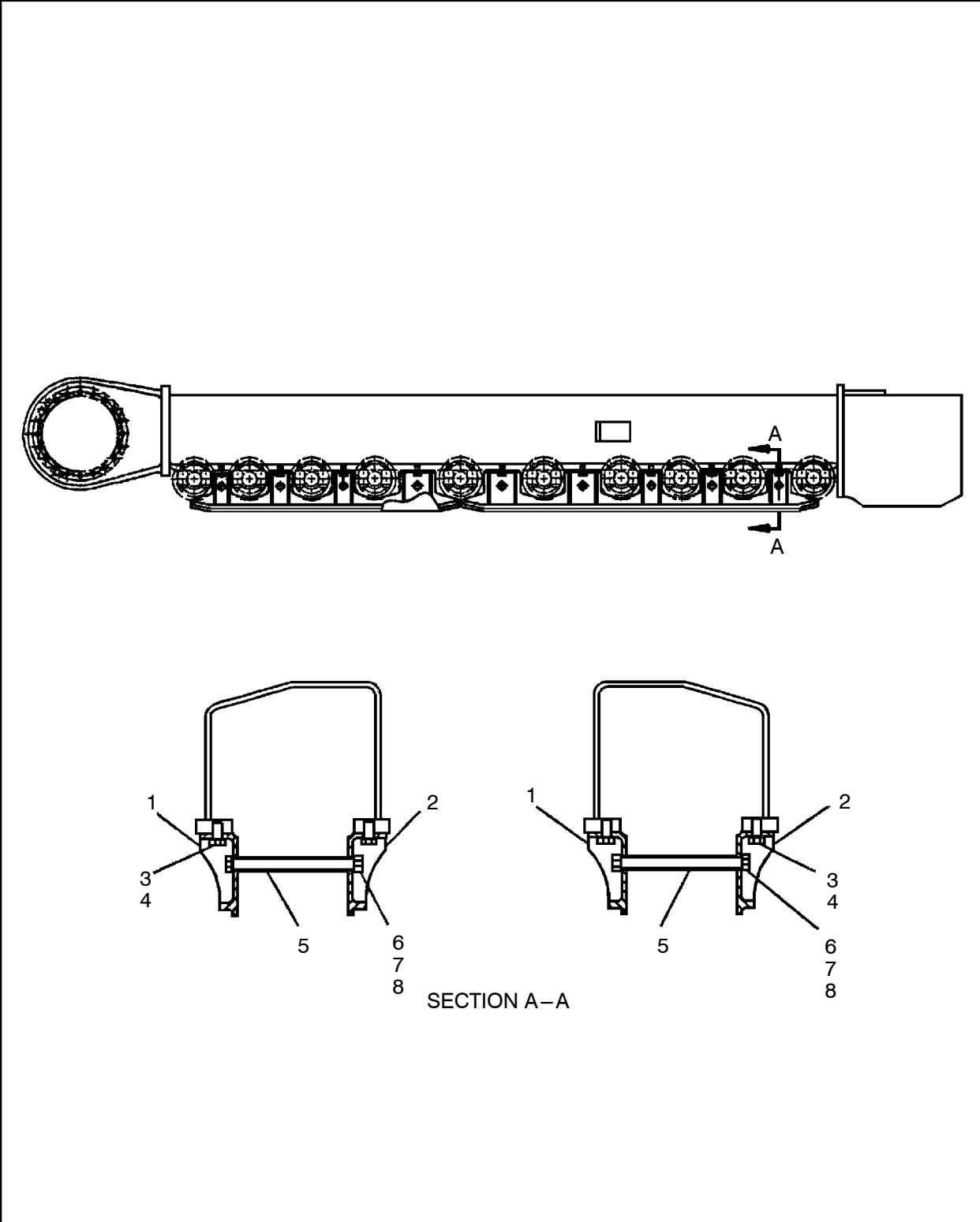


Figure 25 :GUARD GROUP, TRACK GUIDE
C57522989 REV 000

57522989 GUARD GROUP, TRACK GUIDE

REF.	PART NO.	QTY.	UNIT	DESCRIPTION
001	57457830	2	EA	GUARD ASSY, TRACK GUIDE
002	57457822	2	EA	GUARD ASSY, TRACK GUIDE
003	57457814	12	EA	BOLT
004	57457186	12	EA	WASHER
005	57457848	6	EA	PIPE
006	57457855	6	EA	BOLT
007	57357691	6	EA	NUT
008	57355075	12	EA	WASHER-PLATED

TRACK ASSY - CAT330W/Y&AMT
57483661

57522971 GUARD GROUP, TRACK GUIDE

TRACK ASSY - CAT330W/Y&AMT
57483661

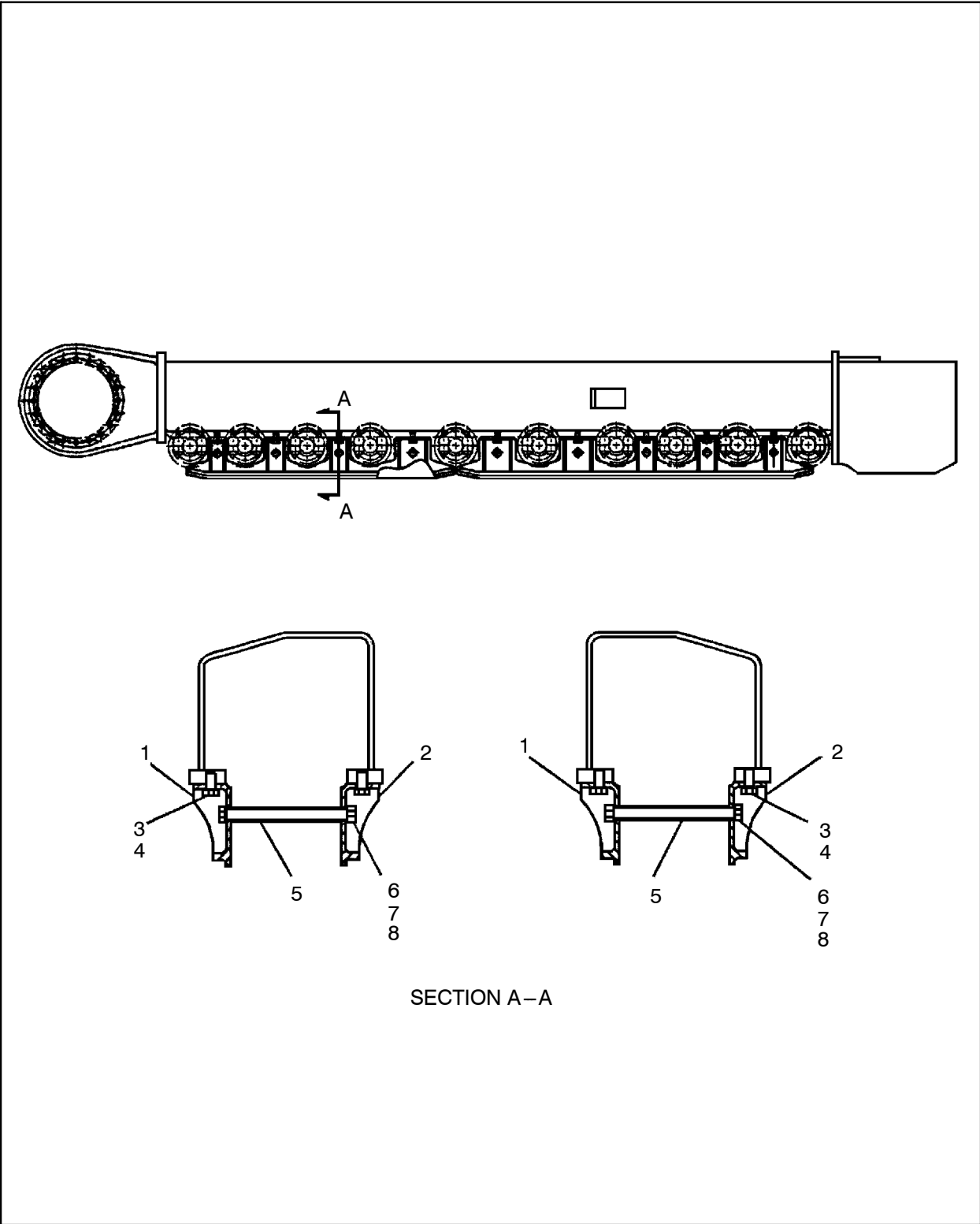


Figure 26 :GUARD GROUP, TRACK GUIDE
C57522971 REV 000

57522971 GUARD GROUP, TRACK GUIDE

REF.	PART NO.	QTY.	UNIT	DESCRIPTION
001	57457822	2	EA	GUARD ASSY, TRACK GUIDE
002	57457830	2	EA	GUARD ASSY, TRACK GUIDE
003	57457814	12	EA	BOLT
004	57457186	12	EA	WASHER
005	57457848	6	EA	PIPE
006	57457855	6	EA	BOLT
007	57357691	6	EA	NUT
008	57355075	12	EA	WASHER-PLATED

TRACK ASSY - CAT330W/Y&AMT
57483661

JACKS

SECTION

JACKS

This page is intentionally blank.

SECTION

JACKS

57501967 JACK ASSY, FRONT

JACK ASSY, FRONT
57501967

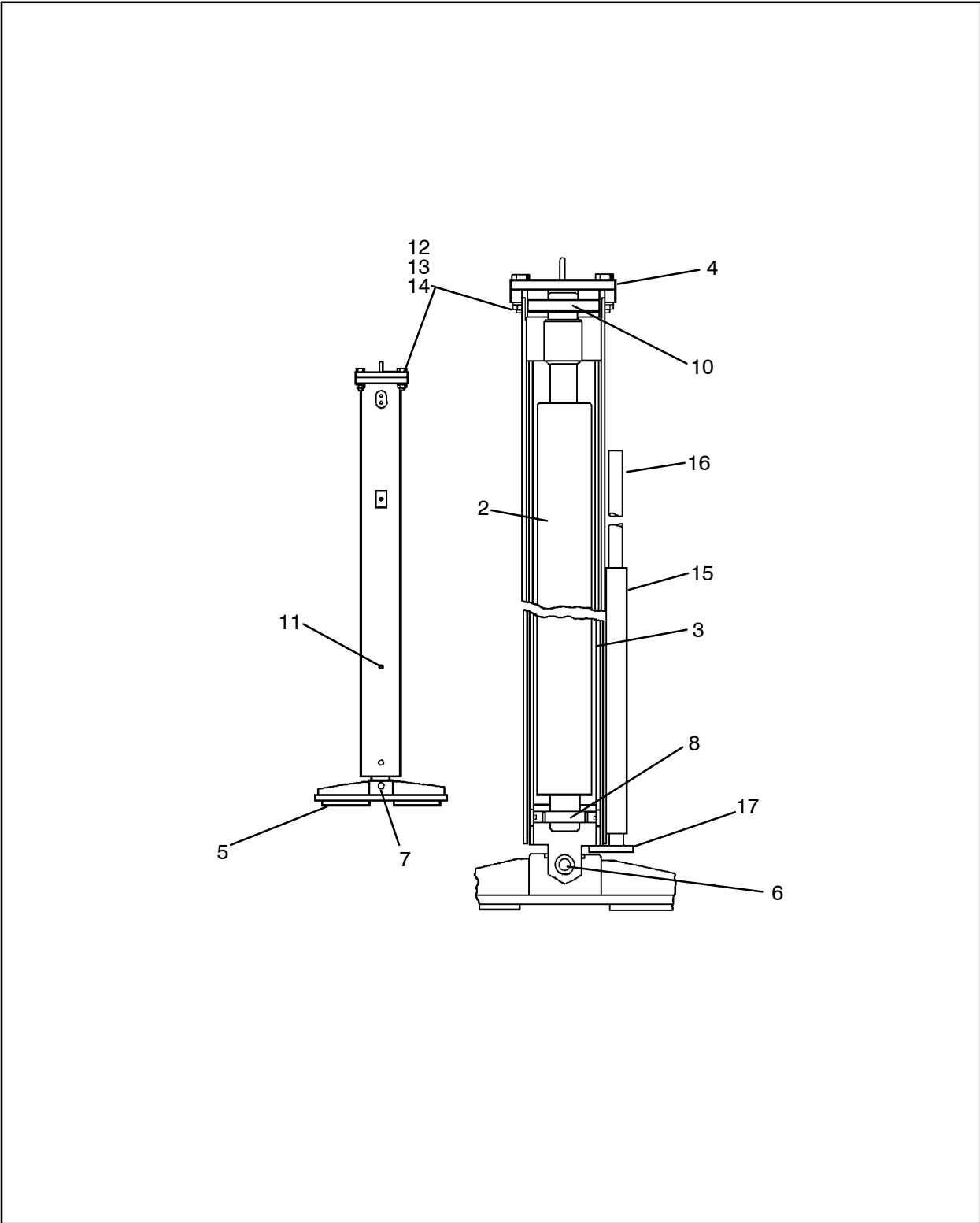


Figure 21 :JACK ASSY, FRONT
E57199655 REV03

57501967 JACK ASSY, FRONT

REF.	PART NO.	QTY.	UNIT	DESCRIPTION
002	57488868	2	EA	CYLINDER HYDRAULIC (See figure 24)
003	50072347	2	EA	SLIDE
	50105832	1	EA	●- ANCHOR D
	95101457	2	EA	●- PLUG PIPE
004	50173467	2	EA	CAP
005	57196735	2	EA	JACK FOOT PAD
006	95403036	2	EA	SCREW, CAP-1-8 X 8
007	95077244	2	EA	NUT,HEX STOP-1 -8
008	50067834	2	EA	PIN
010	50171941	2	EA	PIN, ANCHOR
011	95201547	4	EA	FITTING,LUBE
012	95395489	8	EA	SCREW, CAP-1-8 X 3-1/2
013	95228169	8	EA	WASHER, LOCK-1
014	95077749	8	EA	NUT, HEX-1 -8
015	95341798	2	EA	PIPE
016	50462324	2	EA	GUIDE
017	50462332	2	EA	PLATE

JACK ASSY, FRONT
57501967

57502387 JACK ASSY, REAR

JACK ASSY, REAR
57502387

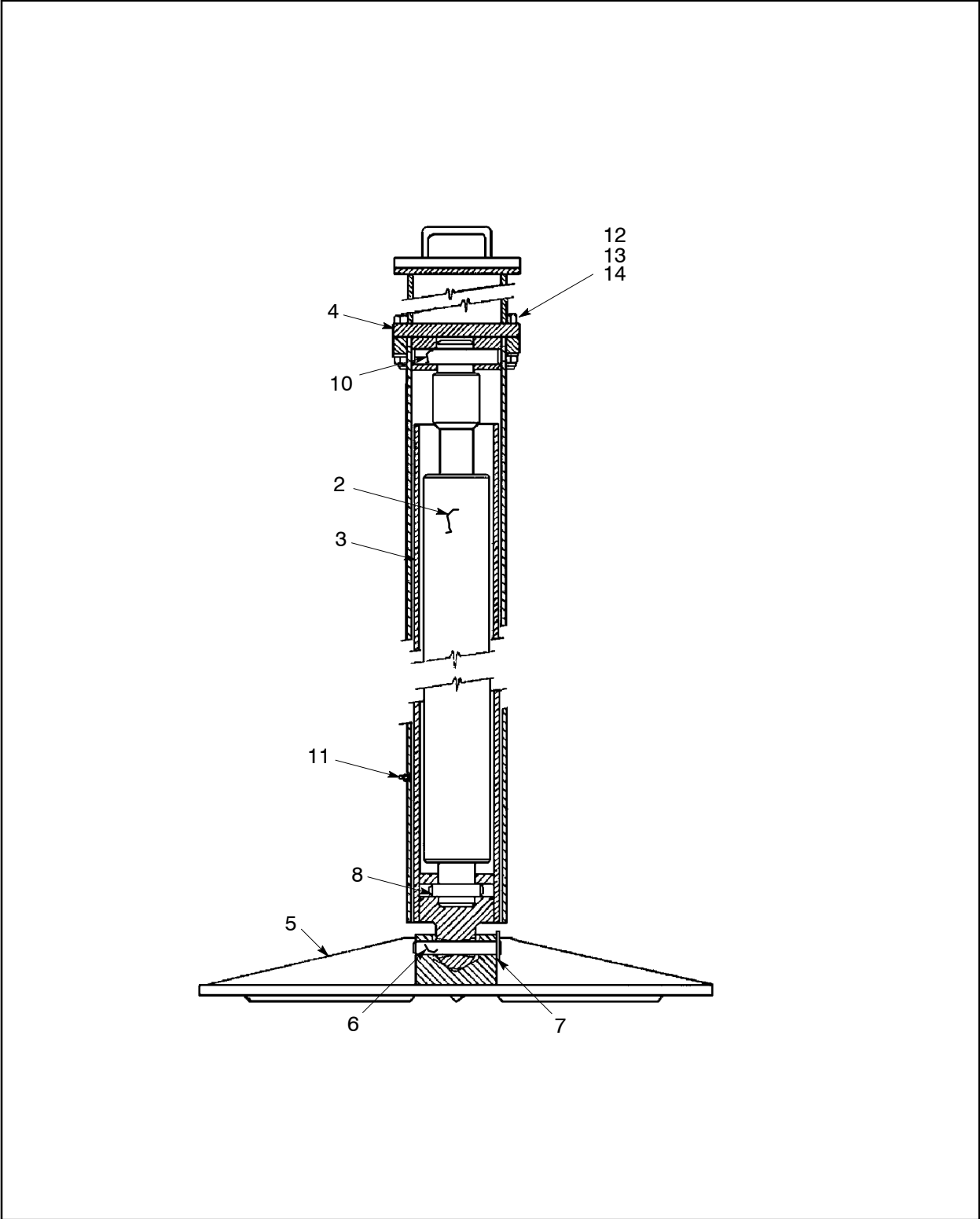


Figure 23 :JACK ASSY, REAR
E57392409 REV02

57502387 JACK ASSY, REAR

REF.	PART NO.	QTY.	UNIT	DESCRIPTION
002	57488868	1	EA	CYLINDER HYDRAULIC <i>(See figure 24)</i>
003	50072347	1	EA	SLIDE
	50105832	1	EA	●- ANCHOR D
	95101457	2	EA	●- PLUG PIPE
004	57396111	1	EA	CAP, CROSSHEAD-REAR JACK
005	57196735	1	EA	JACK FOOT PAD
006	95403036	1	EA	SCREW, CAP-1-8 X 8
007	95077244	1	EA	NUT,HEX STOP-1 -8
008	50067834	1	EA	PIN
010	50171941	1	EA	PIN, ANCHOR
011	95201547	2	EA	FITTING,LUBE
012	95395489	4	EA	SCREW, CAP-1-8 X 3-1/2
013	95228169	4	EA	WASHER, LOCK-1
014	95077749	4	EA	NUT, HEX-1 -8

JACK ASSY, REAR
57502387

57488868 CYLINDER HYDRAULIC

JACK ASSY, REAR
57502387

- 21 PLUG
- 24 PLUG

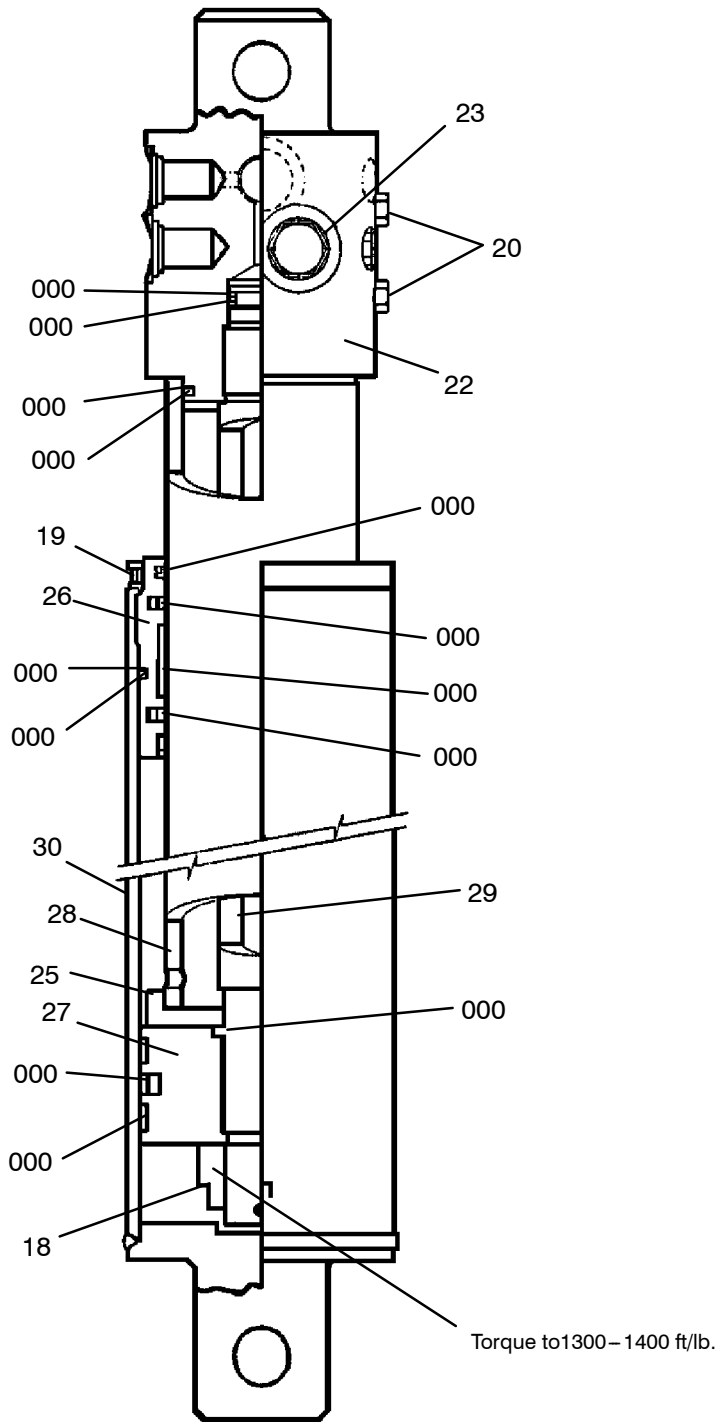


Figure 24 :CYLINDER HYDRAULIC
C57488868 REV01

57488868 CYLINDER HYDRAULIC

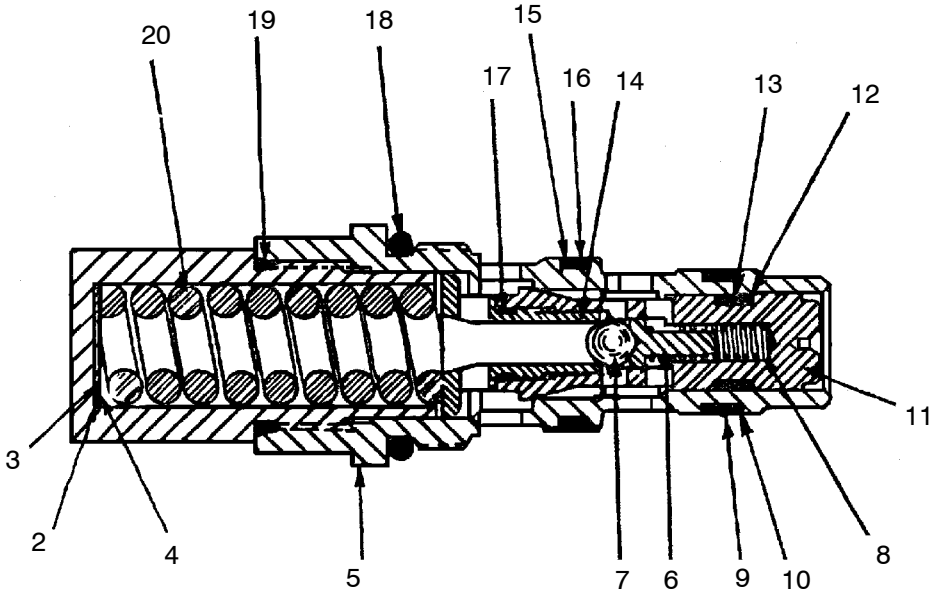
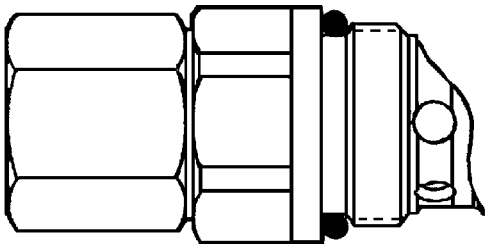
REF.	PART NO.	QTY.	UNIT	DESCRIPTION
000	57510927	1	EA	SEAL KIT-CYLINDER
	57520850	1	EA	●- BACK-UP
	57520868	1	EA	●- O-RING
	57520876	2	EA	●- BACK-UP
	57244832	1	EA	●- O-RING
	57520884	1	EA	●- O-RING
	57520892	2	EA	●- RING, INGRESSION
	57245177	1	EA	●- SEAL ASSY
	57245185	2	EA	●- SLYDRING
	57520900	1	EA	●- O-RING
	57520918	1	EA	●- BACK-UP
	57245532	1	EA	●- STEPSEAL
	57245540	1	EA	●- SLYDRING
	57520926	1	EA	●- SEAL, ROD
	57520934	1	EA	●- BACK-UP
	57520942	1	EA	●- RING, CONTAMINATION
	57520959	1	EA	●- WIPER
018	57181240	1	EA	LOCKNUT
019	57060352	2	EA	SCREW, SET-CLEVIS
020	57244915	6	EA	PLUG, PORT
021	57224156	2	EA	PLUG, PORT
022	57520967	1	EA	BLOCK, VALVE
023	57205007	2	EA	VALVE, COUNTERBALANCE
024	57244972	2	EA	DRILL PLUG
025	57183618	1	EA	SPACER, PISTON
026	57520975	1	EA	HEAD
027	57520983	1	EA	PISTON
028	57181232	1	EA	ROD TUBE
029	57181059	1	EA	ROD-TUBE
030	57245573	1	EA	TUBE ASSY

(See figure 25)

JACK ASSY, REAR
57502387

57205007 VALVE, COUNTERBALANCE

21 -SEAL KIT, VALVE INCLUDES ITEMS 5,10,12,13,15,16,17,18,19



JACK ASSY, REAR
57502387

Figure 25 :VALVE, COUNTERBALANCE
D57205007 REV 001

57205007 VALVE, COUNTERBALANCE

REF.	PART NO.	QTY.	UNIT	DESCRIPTION
002	54479910	1	EA	SHIM
003	54479928	1	EA	SHIM
004	54479936	1	EA	SHIM
005	54479944	1	EA	BODY,CARTRIDGE
006	54479951	1	EA	SPRING,END
007	54479969	1	EA	BALL
008	54479977	1	EA	SPRING
009	54479985	1	EA	O-RING
010	54479993	2	EA	RING,BACKUP
011	54480009	1	EA	POPPET
012	59337212	2	EA	RING,BACKUP
013	59375030	1	EA	O-RING
014	54480017	1	EA	PLUG,SEAT
015	54480025	1	EA	RING,BACKUP
016	54480041	1	EA	O-RING
017	54480058	1	EA	O-RING
018	59374934	1	EA	O-RING
019	59941393	1	EA	O-RING
020	54480066	1	EA	SPRING
021	57240814	1	EA	SEAL KIT, VALVE

JACK ASSY, REAR
57502387

CAB/CONSOLE

SECTION

CAB/CONSOLE

This page is intentionally blank.

SECTION

CAB/CONSOLE

57668196 CAB,INST TIER 2

CAB,INST TIER 2
57668196

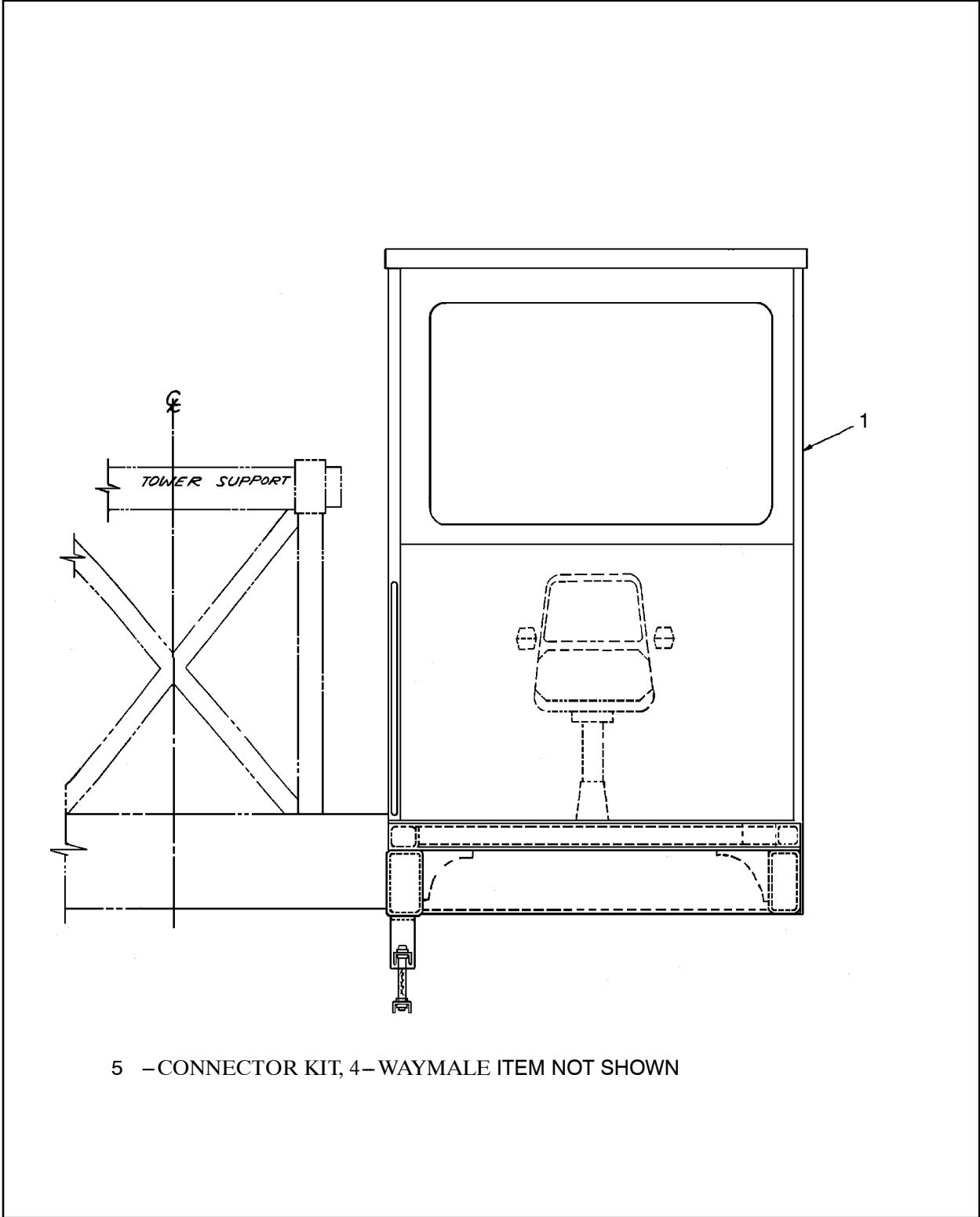


Figure 28 :CAB,INST TIER 2
D57596595 REV 004

57668196 CAB,INST TIER 2

CAB,INST TIER 2
57668196

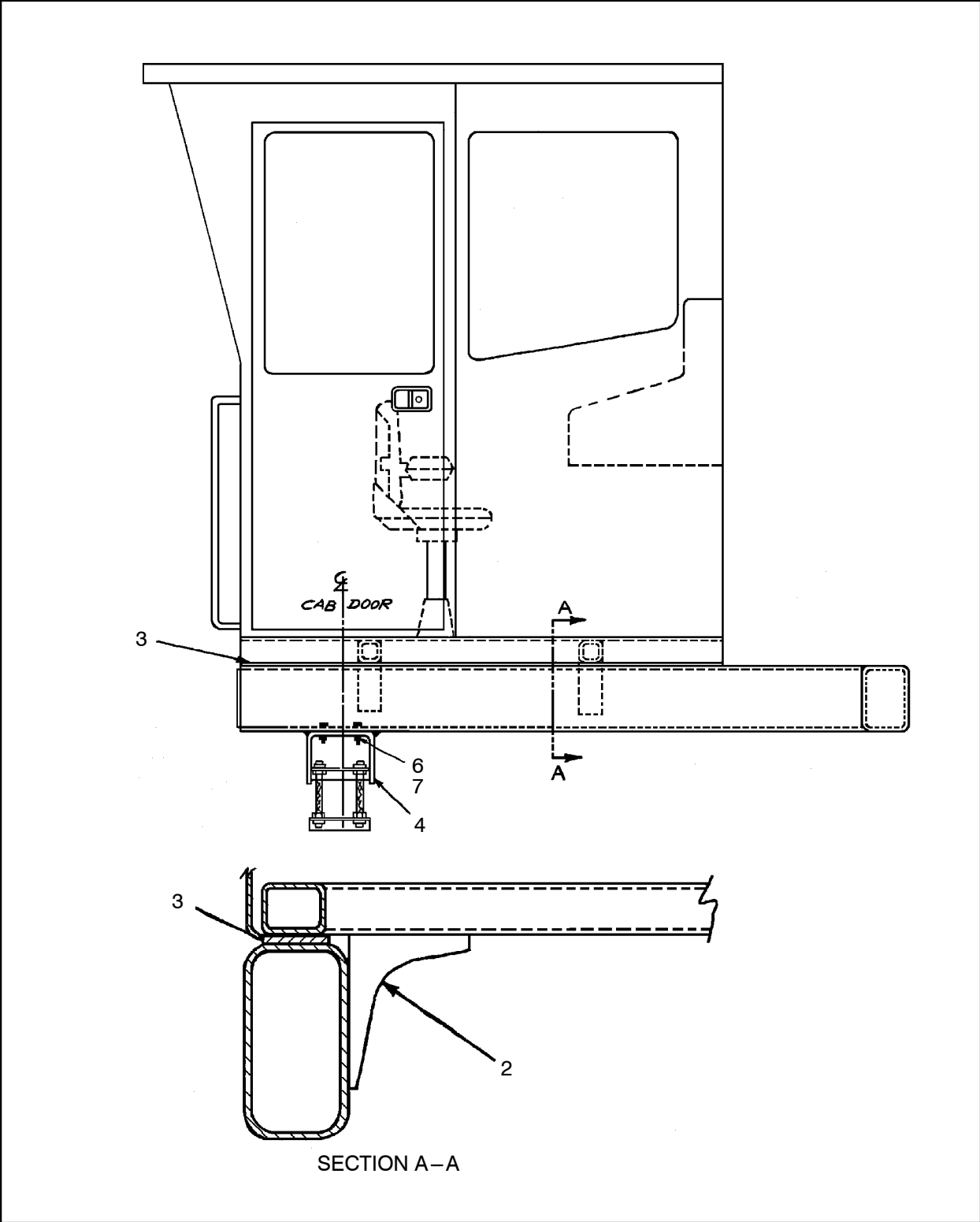


Figure 29 :CAB,INST TIER 2
D57596595 REV 004

57668196 CAB,INST TIER 2

REF.	PART NO.	QTY.	UNIT	DESCRIPTION
001	57668220	1	EA	CAB,EXTENDED TIER 2 (See figure 30)
002	57588519	4	EA	GUSSET,CAB MTG,DM45/50/L
003	57068942	160.00	IN	RUBBER STRIP, 1/4 X4
004	57214470	1	EA	STEP,CAB (See figure 44)
005	57367872	1	EA	CONNECTOR KIT, 4-WAYMALE
006	95934733	2	EA	WASHER,LOCK
007	95934659	2	EA	SCREW,CAP,HEX

CAB,INST TIER 2
57668196

57668196 CAB,INST TIER 2

This page is intentionally blank.

CAB,INST TIER 2
57668196

57668220 CAB,EXTENDED TIER 2

CAB,INST TIER 2
57668196

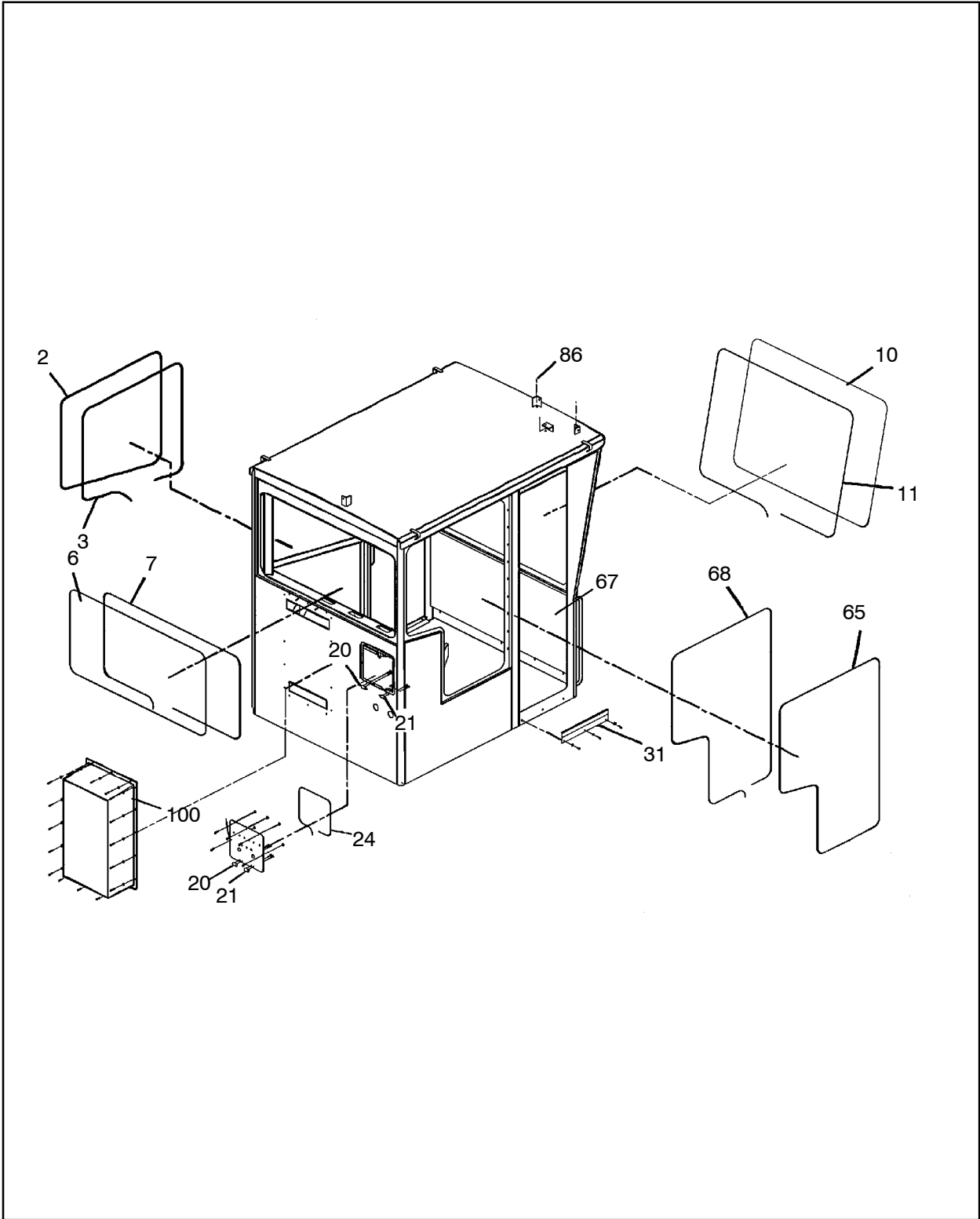
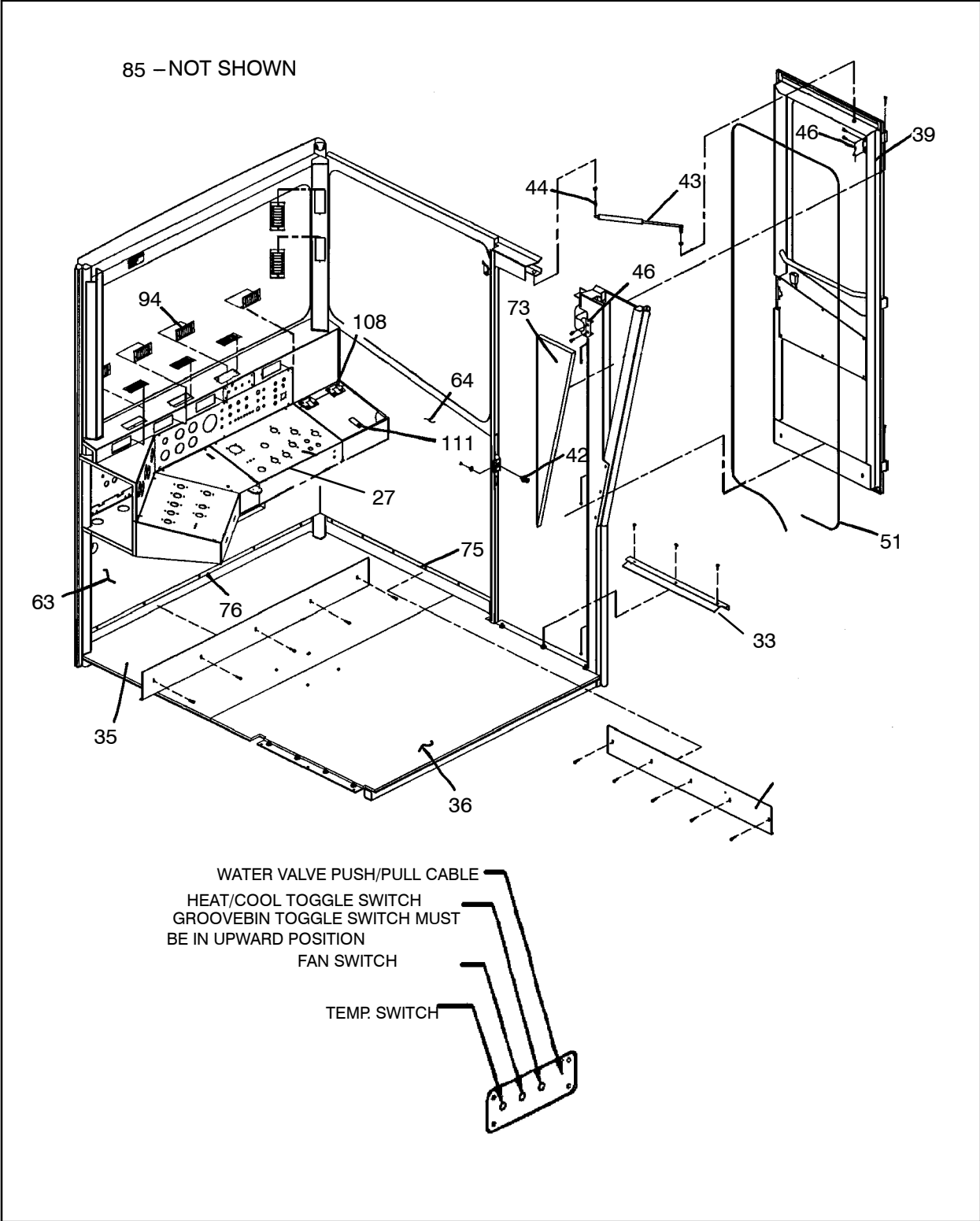


Figure 30 :CAB,EXTENDED TIER 2
C56246077 REV 004

57668220 CAB,EXTENDED TIER 2



CAB,INST TIER 2
57668196

Figure 31 :CAB,EXTENDED TIER 2
C56246077 REV 004

57668220 CAB,EXTENDED TIER 2

CAB,INST TIER 2
57668196

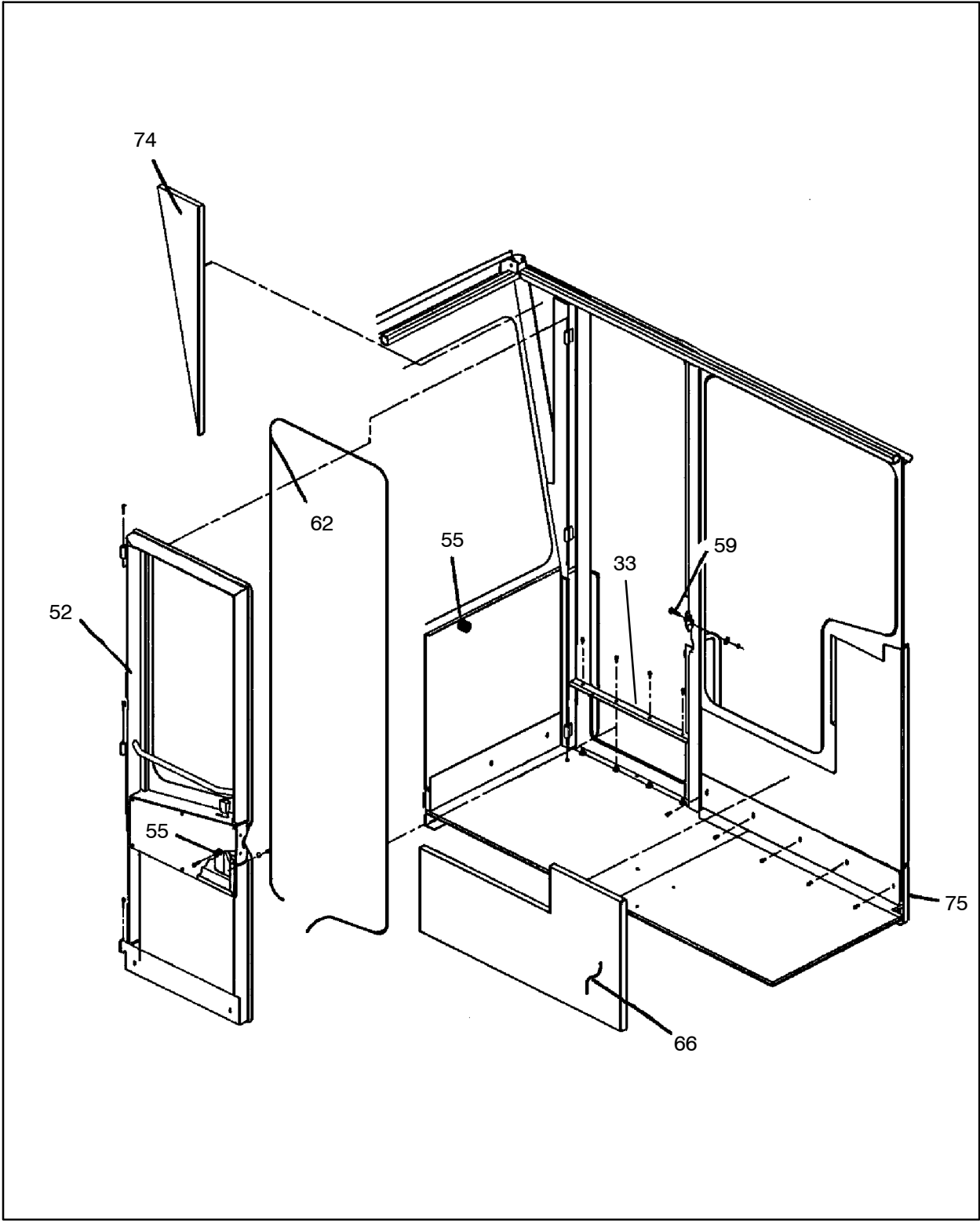
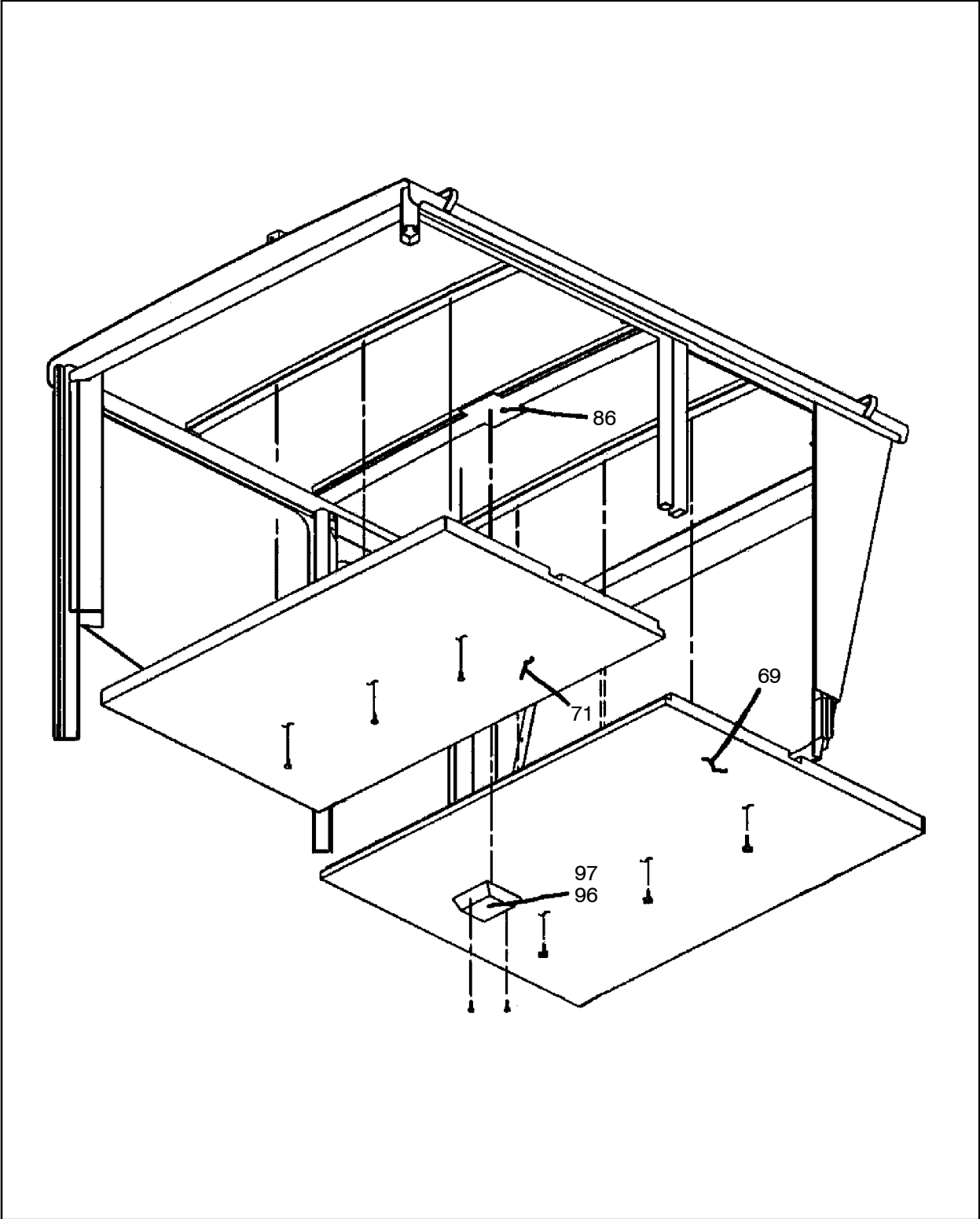


Figure 32 :CAB,EXTENDED TIER 2
C56246077 REV 004

57668220 CAB,EXTENDED TIER 2



CAB,INST TIER 2
57668196

Figure 33 :CAB,EXTENDED TIER 2
C56246077 REV 004

57668220 CAB,EXTENDED TIER 2

CAB,INST TIER 2
57668196

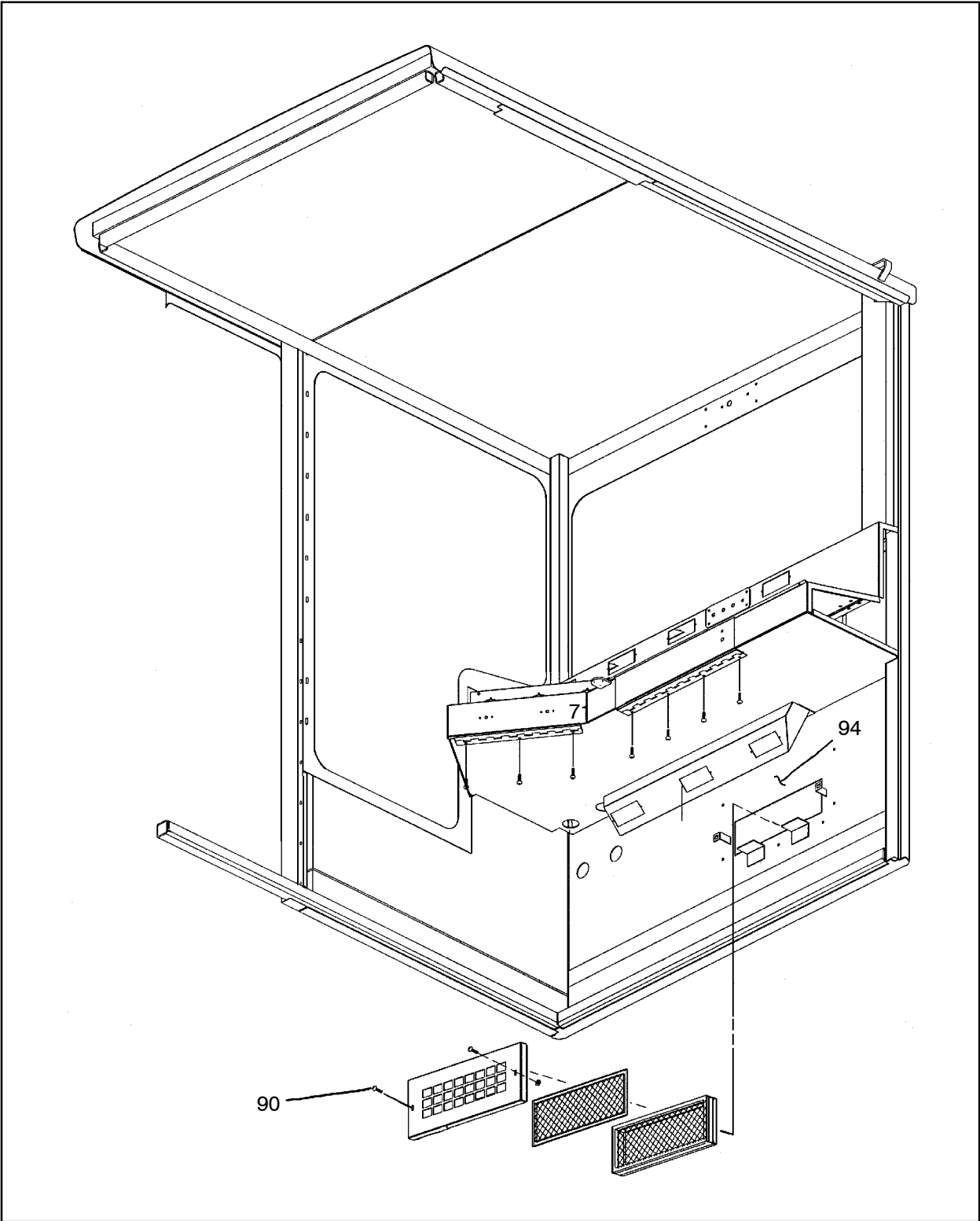


Figure 34 :CAB,EXTENDED TIER 2
C56246077 REV 004

57668220 CAB,EXTENDED TIER 2

CAB,INST TIER 2
57668196

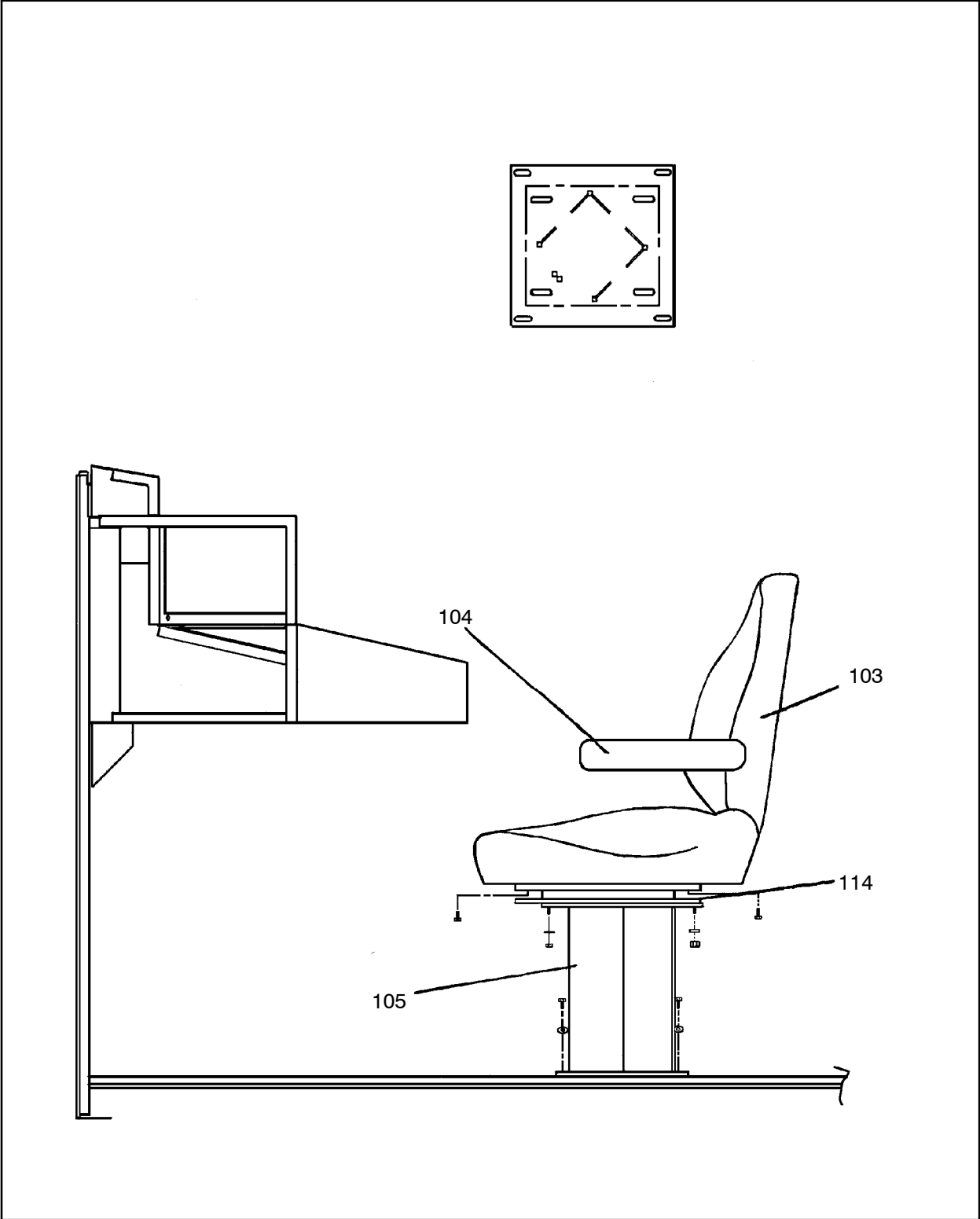


Figure 35 :CAB,EXTENDED TIER 2
C56246077 REV 004

57668220 CAB,EXTENDED TIER 2

CAB,INST TIER 2
57668196

REF.	PART NO.	QTY.	UNIT	DESCRIPTION
002	57540916	1	EA	GLASS,WINDOW-CURB SIDE
003	57540981	14.00	FT	RUBBER,WINDOW-OFFSET
006	57561599	1	EA	GLASS-WINDOW,REAR
007	57540981	15.00	FT	RUBBER,WINDOW-OFFSET
010	57561607	1	EA	GLASS-WINDOW,FRONT
011	57540981	17.00	FT	RUBBER,WINDOW-OFFSET
020	57561615	1	EA	HINGE ASSY-RH,HOSE PANEL
021	57561623	1	EA	HINGE ASSY-LH,HOSE PANEL
024	57561631	5.00	FT	FOAM, GASKET
027	57668188	1	EA	PANEL,ENGINE CONTROLS
031	54589866	1	EA	THRESHOLD,R.H. DOOR
033	54589874	1	EA	THRESHOLD,L.H. DOOR
035	57541013	1	EA	FLOORMAT, FRONT
036	57561649	1	EA	FLOORMAT, REAR
039	57561656	1	EA	DOOR ASSY- CURB SIDE (See figure 36)
042	57540973	1	EA	BOLT, STRIKER
043	57561672	1	EA	SPRING,GAS-DOOR CURBSIDE
044	57561680	2	EA	STUD-DOOR SPRING
046	57561698	1	EA	RESTRAINT-DOOR
051	57541005	19.00	FT	SEAL, BULB-90 DEGREE
052	57561664	1	EA	DOOR ASSY - TOWER SIDE (See figure 37)
055	57561706	1	EA	HOLDER SET - DOOR
059	57540973	1	EA	BOLT, STRIKER
062	57541005	19.00	FT	SEAL, BULB-90 DEGREE
063	57561714	1	EA	FORM - FRONT
064	57561722	1	EA	FOAM - CURB SIDE
065	57540908	1	EA	GLASS,WINDOW-TOWER SIDE
066	57561730	1	EA	FOAM - TOWER SIDE
067	57561748	1	EA	FOAM - REAR
068	57540981	18.00	FT	RUBBER,WINDOW-OFFSET
069	57561755	1	EA	FOAM - ROOF, REAR
071	57561763	1	EA	FOAM - ROOF, FRONT
073	57561771	1	EA	FOAM,REAR-CURB SIDE
074	57561789	1	EA	FOAM,REAR-TOWER SIDE
075	57561797	2	EA	FOAM,SIDES-KICK PLATE
076	57561805	2	EA	FOAM,FRONT/REAR-KICK PL
085	57561813	1	EA	HARNESS, WIRE-CAB

57668220 CAB,EXTENDED TIER 2

REF.	PART NO.	QTY.	UNIT	DESCRIPTION
086	57561821	5	EA	GROMMET – ROOF
090	54537139	7	EA	SCREW,CAPTIVE,QUICK OPEN
094	52106457	12	EA	LOUVER, AURORA
096	57561839	1	EA	DOMELIGHT – ROOF
097	57561847	1	EA	BULB – DOMELIGHT
100	57554644	1	EA	AIR CONDITIONER, ASSY <i>(See figure 38)</i>
103	57569444	1	EA	SEAT,OPERATOR
104	57561854	1	EA	ARMREST KIT – SEAT,CAB
105	57561862	1	EA	PEDESTAL – SEAT
108	57561888	2	EA	HINGE,TOOL BOX, CAB
111	57561896	1	EA	LATCH – TOOL BOX,CAB
114	57561870	1	EA	SWIVEL ASSY – SEAT

CAB,INST TIER 2
57668196

57561656 DOOR ASSY- CURB SIDE

CAB,INST TIER 2
57668196

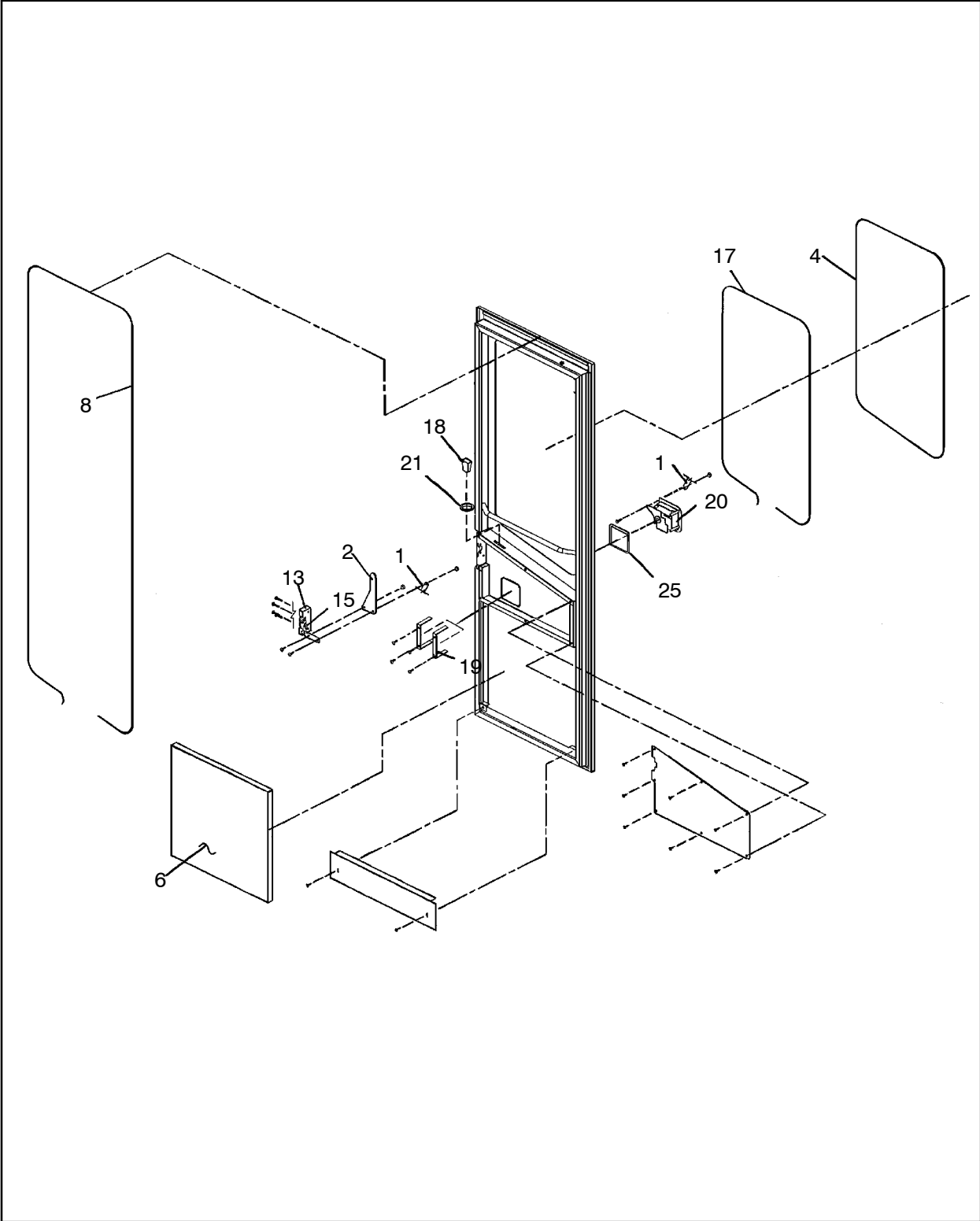


Figure 36 :DOOR ASSY- CURB SIDE
C57561656 REV000

57561656 DOOR ASSY- CURB SIDE

REF.	PART NO.	QTY.	UNIT	DESCRIPTION
001	57541070	1	EA	LINKAGE, LATCH
002	57541062	1	EA	LATCH, INSIDE RELEASE
004	57541021	1	EA	GLASS,DOOR- CURB SIDE
006	57561557	1	EA	FOAM- CURB SIDE DOOR
008	57541005	19.00	FT	SEAL, BULB-90 DEGREE
013	52106606	1	EA	LATCH, CAM
015	57561565	1	EA	SPRING,TENSION- DOORLATCH
017	57540999	12.00	FT	RUBBER, WINDOW- DOOR
018	57541047	1	EA	GRIP, HAND
019	52106630	1	EA	BRACKET, MOUNTING
020	57541054	1	EA	LATCH, PADDLE- CURB SIDE
021	57561573	1	EA	GROMMET- DOOR GRIP
025	57561581	1	EA	GASKET- DOOR LATCH

CAB,INST TIER 2
57668196

57561664 DOOR ASSY – TOWER SIDE

CAB,INST TIER 2
57668196

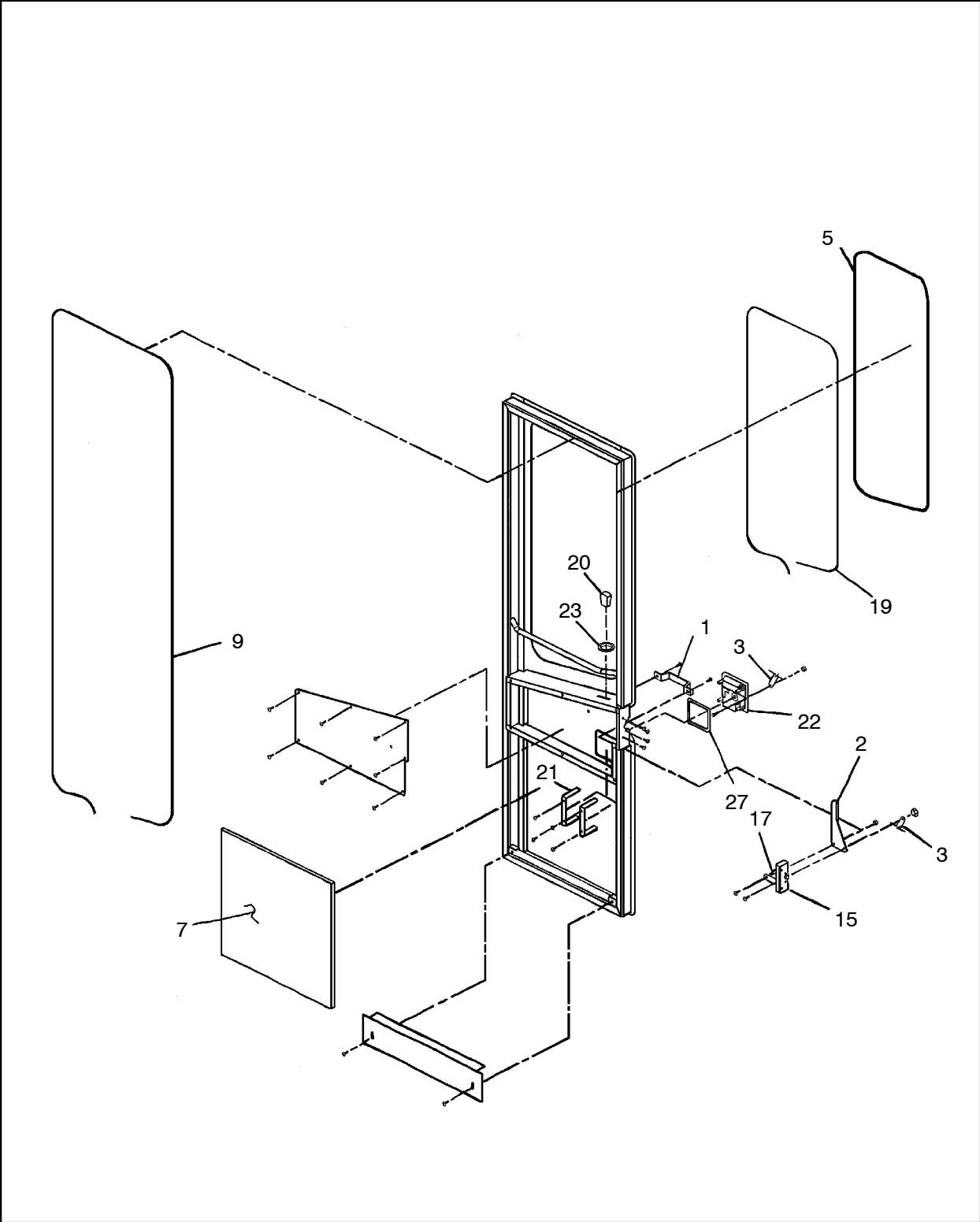


Figure 37 :DOOR ASSY – TOWER SIDE
C57561664 REV000

57561664 DOOR ASSY – TOWER SIDE

REF.	PART NO.	QTY.	UNIT	DESCRIPTION
001	57561532	1	EA	HANDLE, GRAB – TWR SIDE DOOR
002	57541062	1	EA	LATCH, INSIDE RELEASE
003	57541070	1	EA	LINKAGE, LATCH
005	57541088	1	EA	GLASS, DOOR – TOWER SIDE
007	57561540	1	EA	FOAM – TOWER SIDE DOOR
009	57541005	19.00	FT	SEAL, BULB – 90 DEGREE
015	52106606	1	EA	LATCH, CAM
017	57561565	1	EA	SPRING, TENSION – DOOR LATCH
019	57540999	12.00	FT	RUBBER, WINDOW – DOOR
020	57541047	1	EA	GRIP, HAND
021	52106630	2	EA	BRACKET, MOUNTING
022	57541112	1	EA	LATCH, PADDLE – TOWER SIDE
023	57561573	1	EA	GROMMET – DOOR GRIP
027	57561581	1	EA	GASKET – DOOR LATCH

CAB, INST TIER 2
57668196

57554644 AIR CONDITIONER, ASSY

CAB,INST TIER 2
57668196

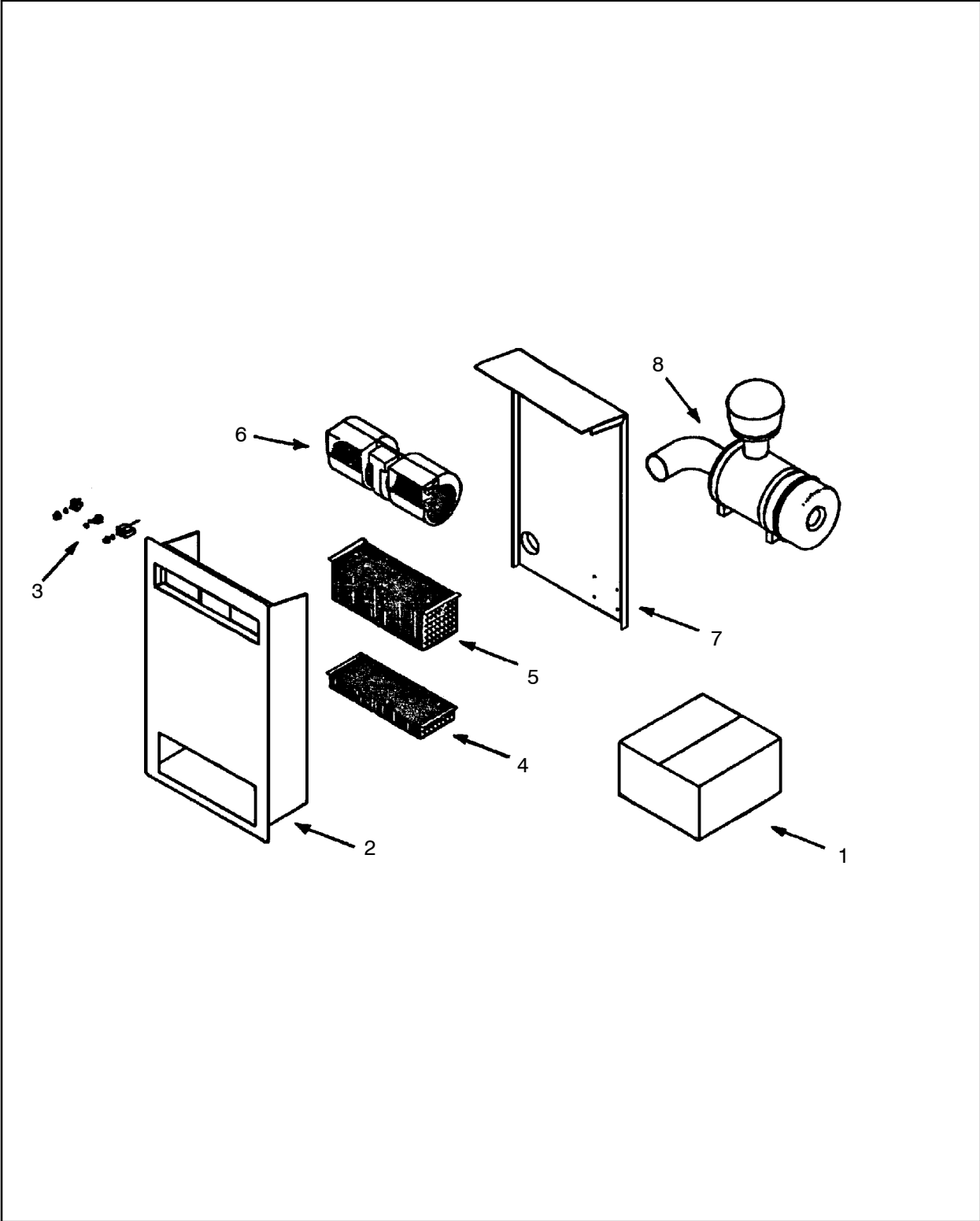


Figure 38 :AIR CONDITIONER, ASSY
C57554644 REV 001

57554644 AIR CONDITIONER, ASSY

REF.	PART NO.	QTY.	UNIT	DESCRIPTION	
001	57554685	1	EA	PACKAGE KIT, 805 IR	(See figure 39)
002	57555666	1	EA	HOUSING, REAR	
003	57554693	1	EA	SWITCH ASSY, IR AP	(See figure 40)
004	57554669	1	EA	COIL ASSY, HTR	(See figure 41)
005	57554651	1	EA	COIL ASSY	(See figure 42)
006	57516379	1	EA	BLOWER ASSEMBLY	
	57516130	1	EA	• - MOTOR, BLOWER	
	57554818	1	EA	• - BLOWER ASSY W/O MOTOR	
	57554826	1	EA	• - RESISTOR, 4 SPADE	
007	57555674	1	EA	HOUSING, FRONT COVER	
008	57554677	1	EA	FILTER W/ PREFIL & ELBOW	(See figure 43)

CAB, INST TIER 2
 57668196

57554685 PACKAGE KIT, 805 IR

CAB,INST TIER 2
57668196

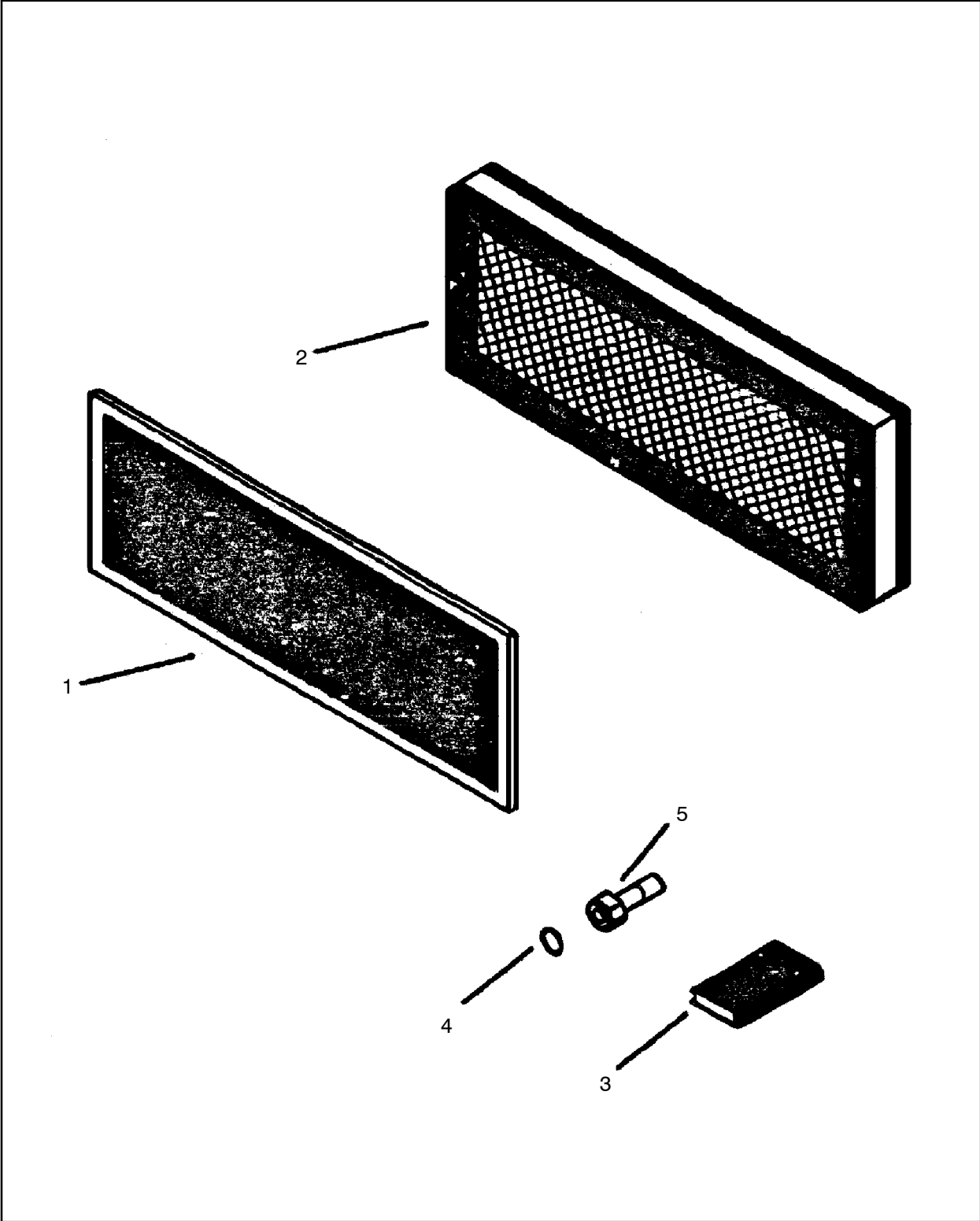


Figure 39 :PACKAGE KIT, 805 IR
B57554685 REV 000

57554685 PACKAGE KIT, 805 IR

REF.	PART NO.	QTY.	UNIT	DESCRIPTION
001	57516106	1	EA	FILTER, MAIN
002	57516098	1	EA	PREFILTER
003	57554834	2	EA	TUBE, KAZOO
004	57554735	2	EA	O-RING, #8
005	57554768	2	EA	FITTING STR/301, HEATER

CAB,INST TIER 2
57668196

57554693 SWITCH ASSY, IR AP

CAB,INST TIER 2
57668196

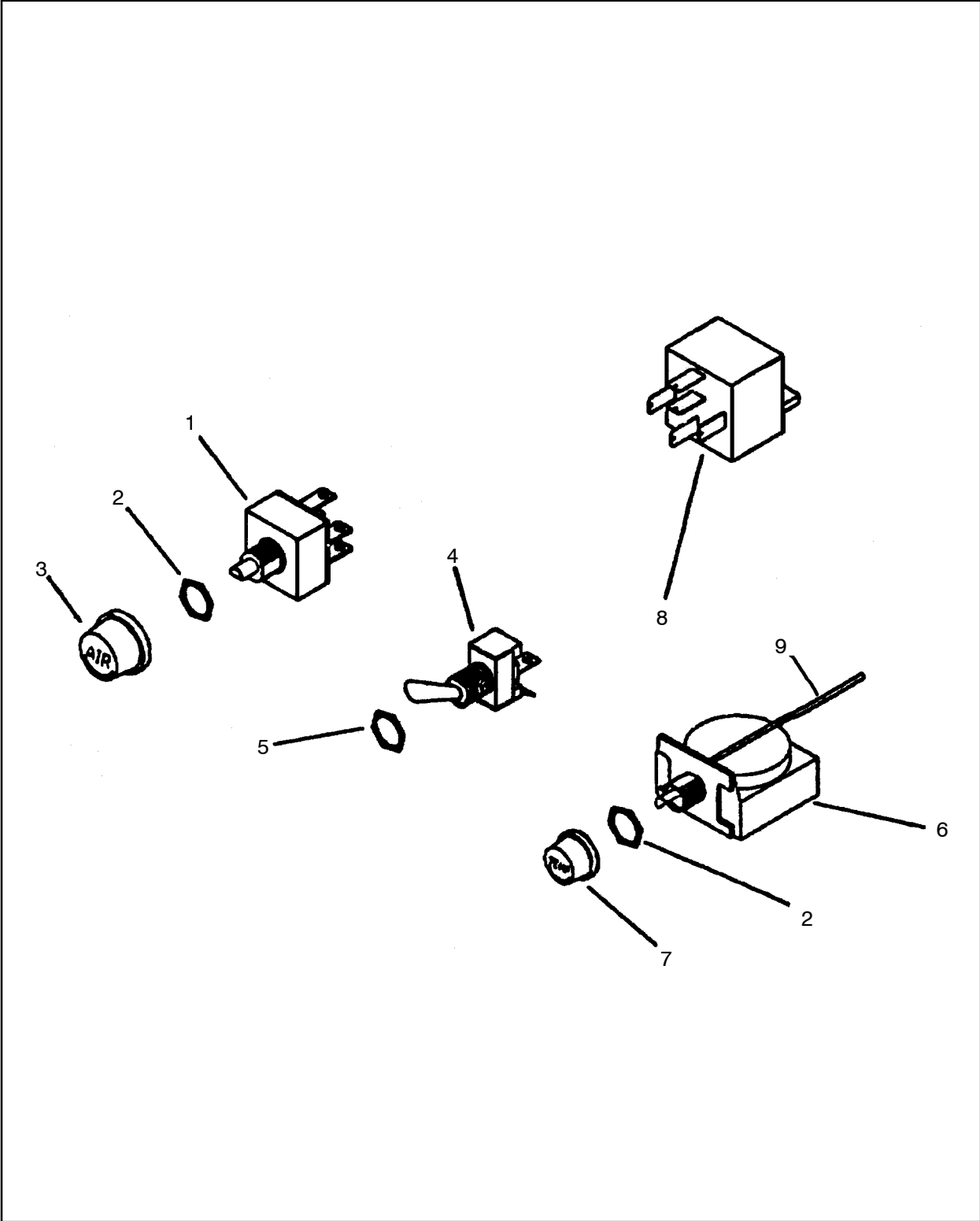


Figure 40 :SWITCH ASSY, IR AP
B57554693 REV 000

57554693 SWITCH ASSY, IR AP

REF.	PART NO.	QTY.	UNIT	DESCRIPTION
001	57477937	1	EA	SWITCH, ROTARY
002	57554875	2	EA	SWITCH NUT STANDARD
003	57477945	1	EA	KNOB, TEMPERATURE
004	57554842	1	EA	SWITCH, TOGGLE WIRE LEAD
005	57554883	1	EA	SWITCH NUT, HEAT/COOL
006	57554859	1	EA	THERMOSTAT, ROTARY
007	57477929	1	EA	KNOB, FAN
008	57516619	1	EA	RELAY
009	57554891	1	EA	HARNESS,WIRE,INTERNAL

CAB,INST TIER 2
57668196

57554669 COIL ASSY, HTR

CAB,INST TIER 2
57668196

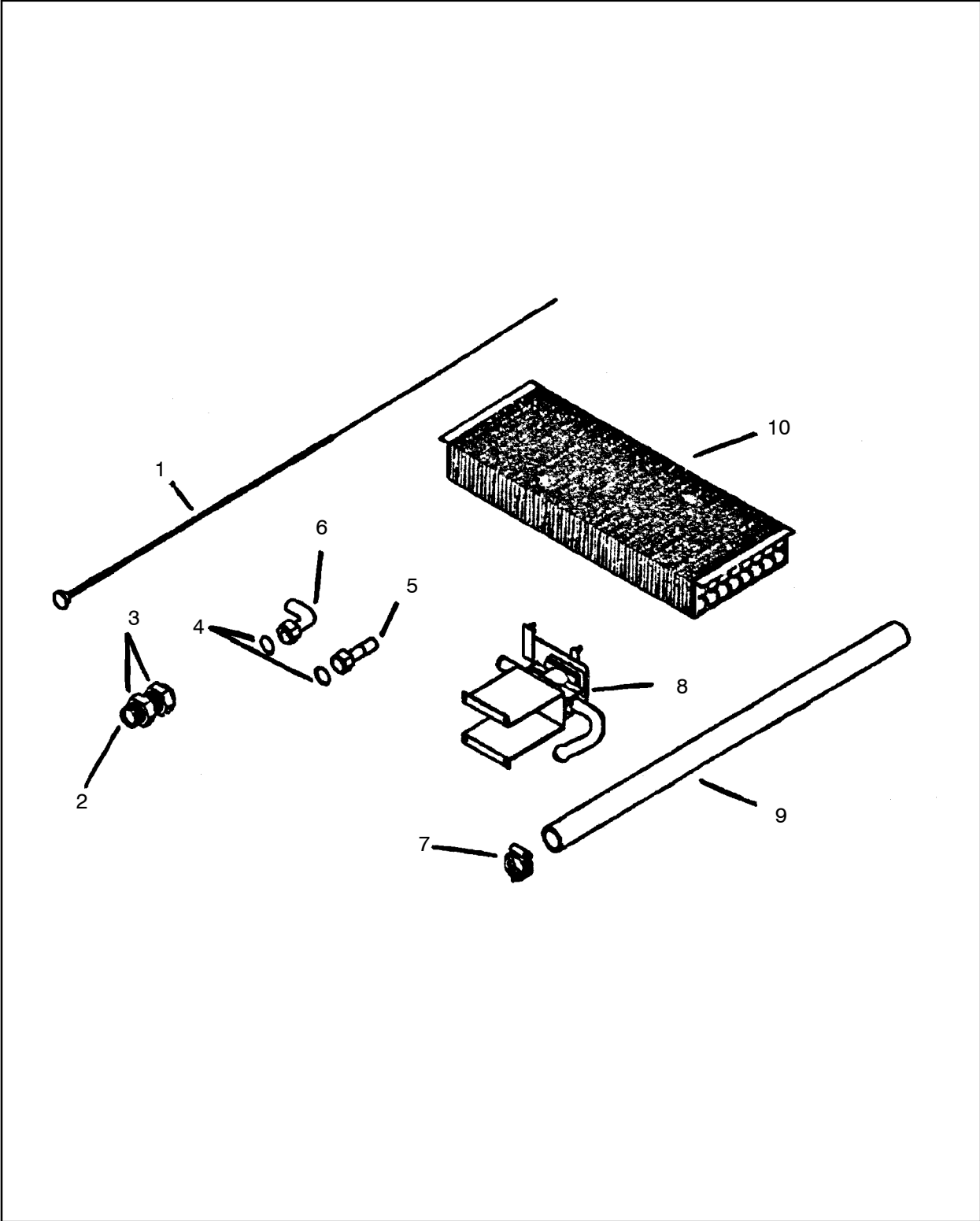


Figure 41 :COIL ASSY, HTR
B57554669 REV 000

57554669 COIL ASSY, HTR

REF.	PART NO.	QTY.	UNIT	DESCRIPTION
001	57554792	1	EA	CABLE, WATER VALVE
002	57554784	2	EA	FITTING BLKHD
003	57555682	4	EA	NUT, HEX JAM 3/4-16
004	57554735	2	EA	O-RING, #8
005	57554768	1	EA	FITTING STR/301, HEATER
006	57555690	1	EA	HEATER FITTING
007	57555708	6	EA	HOSE CLAMP, 10/12
008	57554750	1	EA	VALVE ASSY, WATER
009	57555716	2	EA	HEATER HOSE, 5/8
010	57554776	1	EA	COIL, HEATER

CAB,INST TIER 2
57668196

57554651 COIL ASSY

CAB,INST TIER 2
57668196

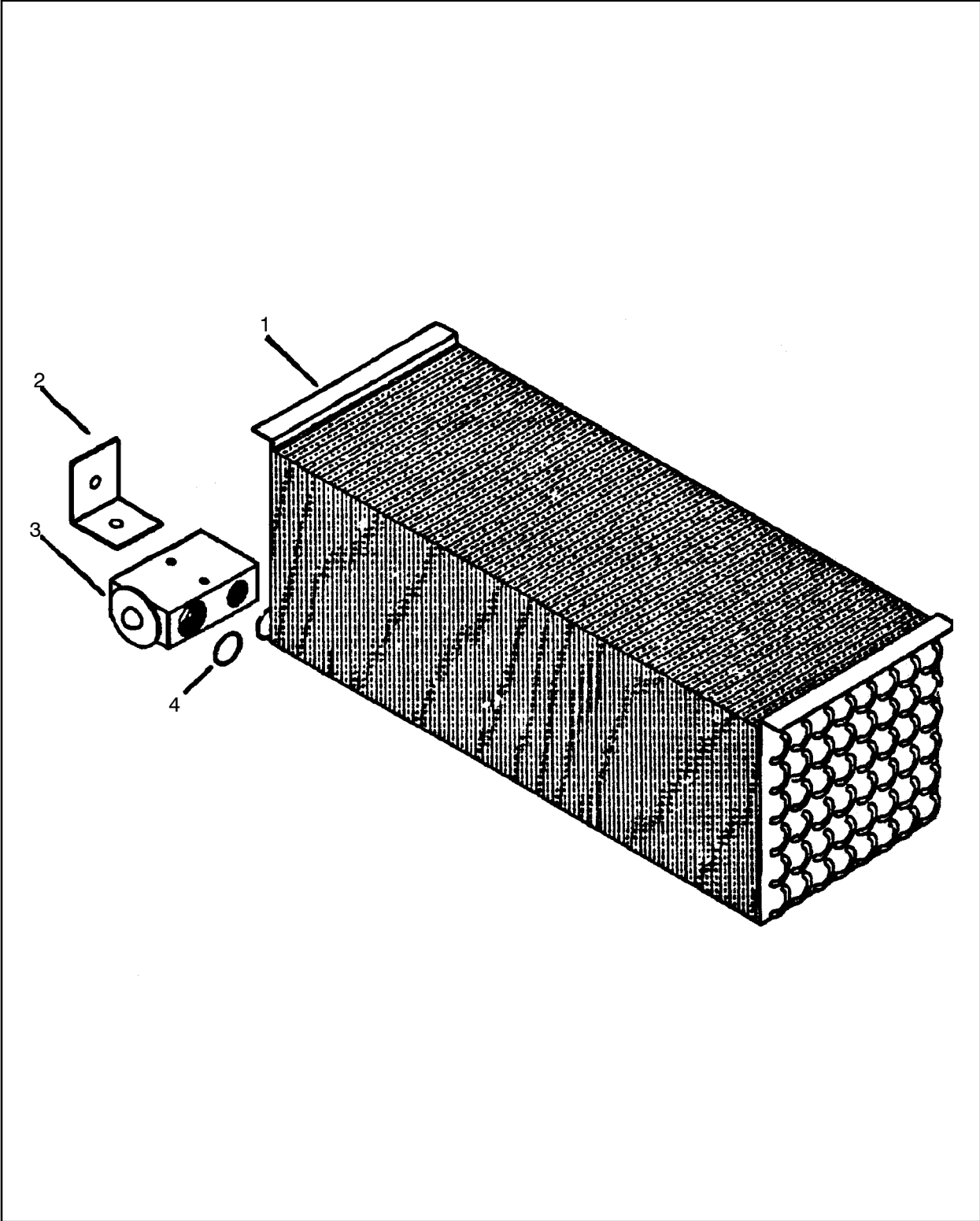


Figure 42 :COIL ASSY
B57554651 REV 000

57554651 COIL ASSY

REF.	PART NO.	QTY.	UNIT	DESCRIPTION
001	57554727	1	EA	EVAPORATOR COIL
002	57554743	1	EA	BRACKET, EXP VALVE MTG
003	57477911	1	EA	VALVE, EXPANSION BLOCK
004	57554735	2	EA	O-RING, #8

CAB,INST TIER 2
57668196

57554677 FILTER W/ PREFIL & ELBOW

CAB,INST TIER 2
57668196

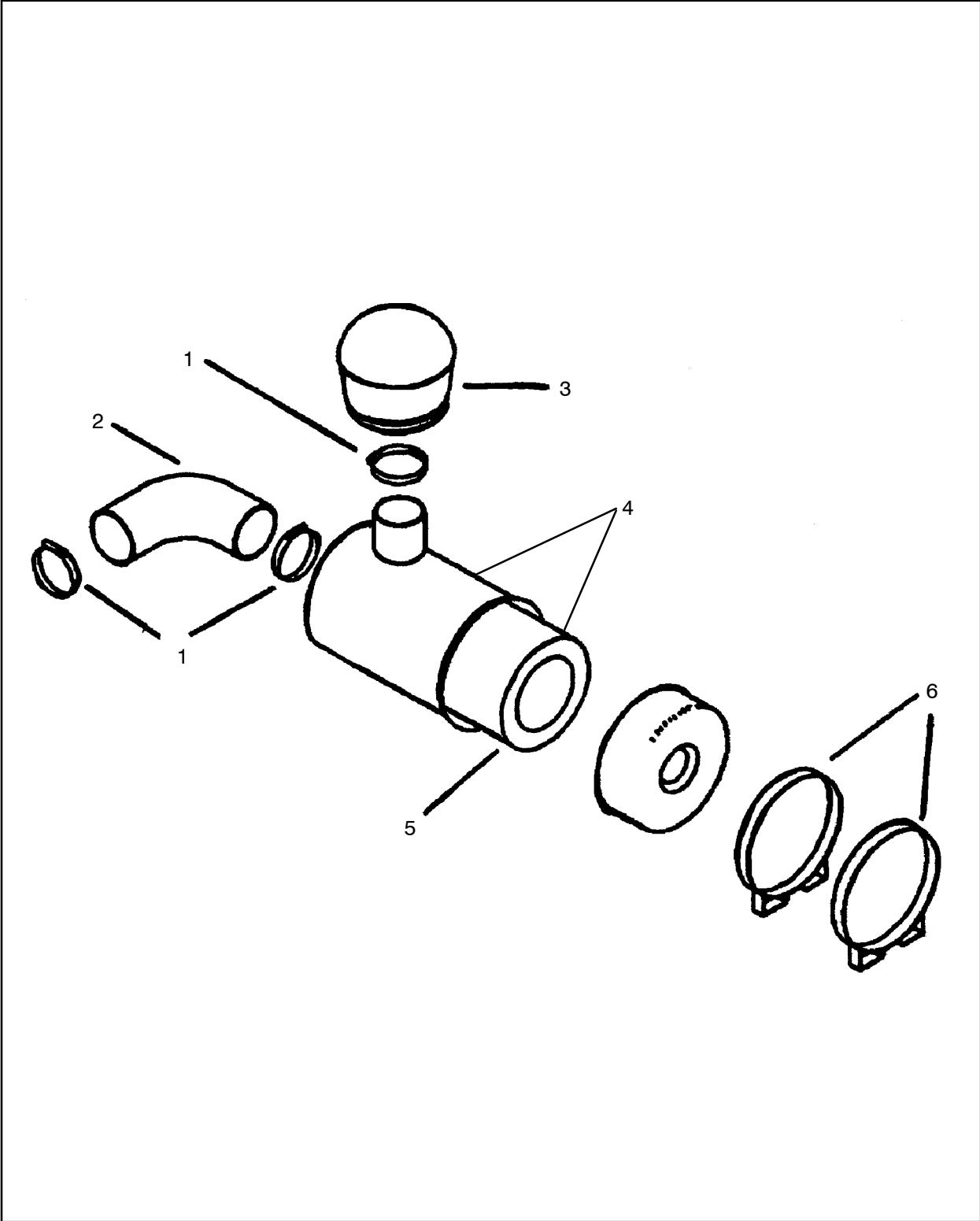


Figure 43 :FILTER W/ PREFIL & ELBOW
B57554677 REV 000

57554677 FILTER W/ PREFIL & ELBOW

REF.	PART NO.	QTY.	UNIT	DESCRIPTION
001	57555732	3	EA	HOSE CLAMP
002	57555740	1	EA	ELBOW, RUBBER-3
003	57555724	1	EA	PRE-FILTER
004	57431884	1	EA	AIR CLEANER
	59860841	1	EA	● - ELEMENT-AIR CLEANER
005	59860841	1	EA	ELEMENT-AIR CLEANER
006	57555757	2	EA	MOUNT BAND

CAB,INST TIER 2
57668196

57214470 STEP,CAB

CAB,INST TIER 2
57668196

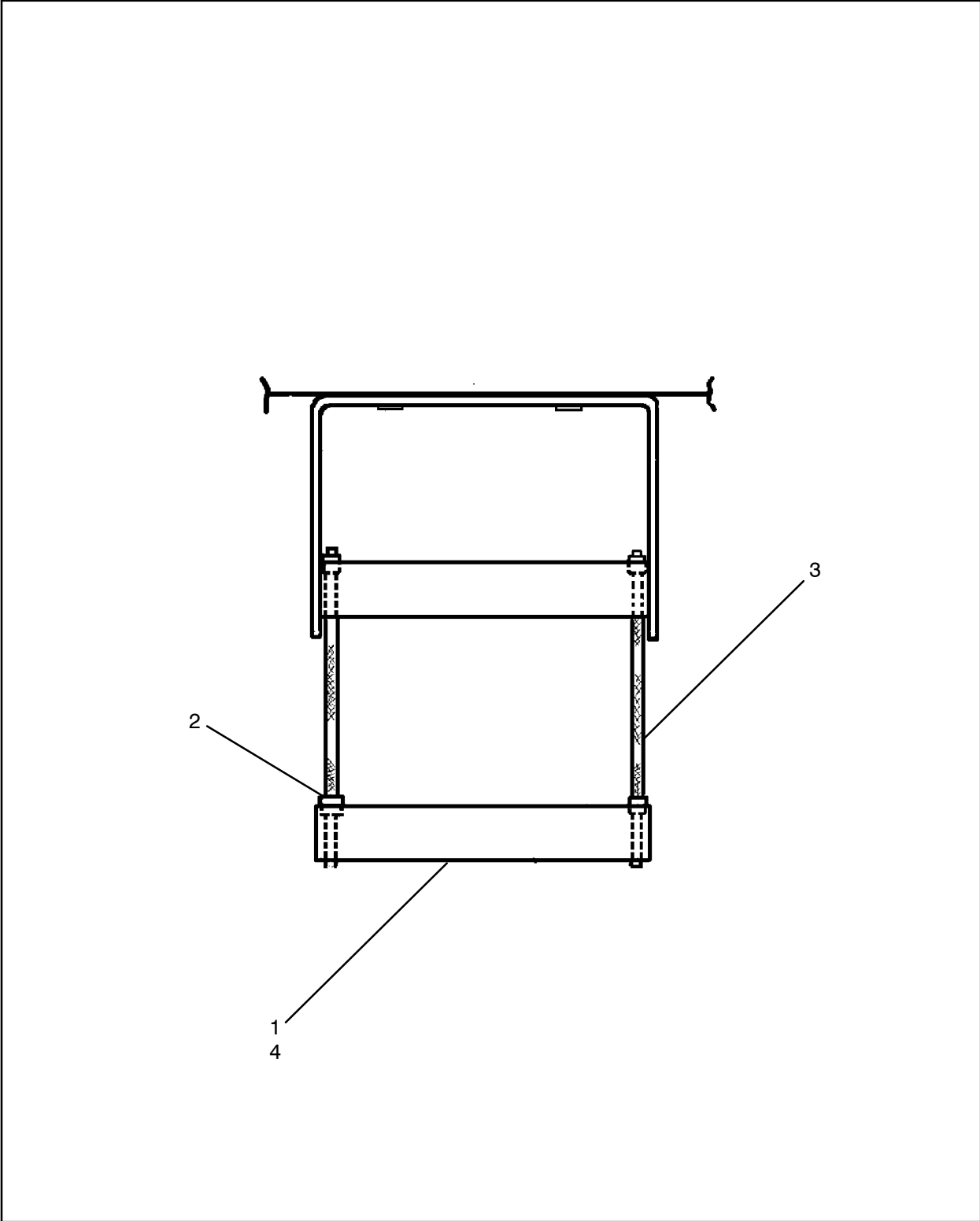


Figure 44 :STEP,CAB
C57214470 REV 001

57214470 STEP,CAB

REF.	PART NO.	QTY.	UNIT	DESCRIPTION
001	57047847	2	EA	RUNG LADDER
002	57068587	4	EA	PIPE
003	57068595	2	EA	WIRE ROPE
	57261927	15.00	IN	●- CABLE
004	57214488	1	EA	PLATE, SUPPORT

CAB,INST TIER 2
57668196

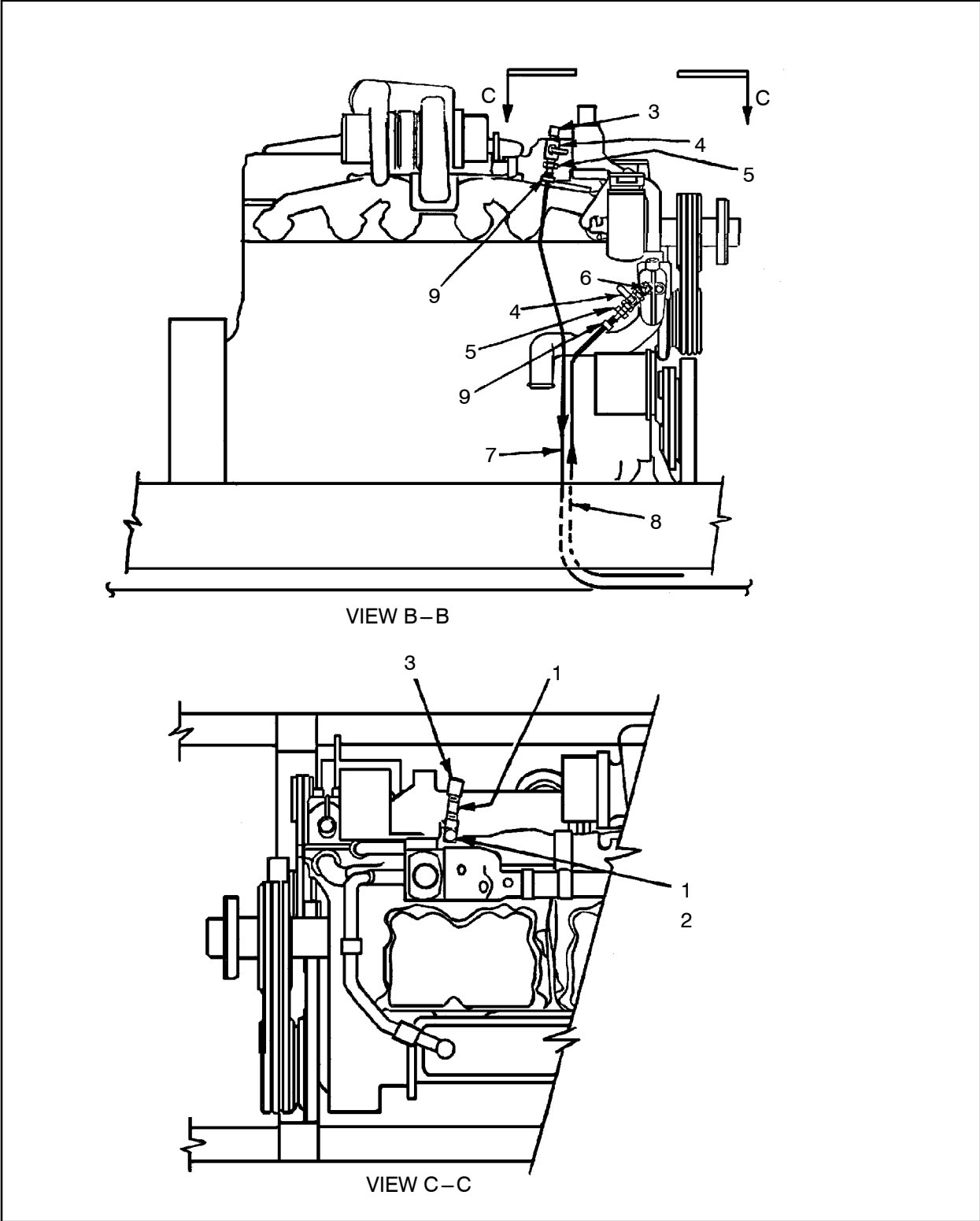
57632218 HEATER ASSEMBLY,QSX

HEATER ASSEMBLY,QSX
57632218



Figure 52 :HEATER ASSEMBLY,QSX
D57562233 REV 003

57632218 HEATER ASSEMBLY,QSX



HEATER ASSEMBLY,QSX
57632218

Figure 53 :HEATER ASSEMBLY,QSX
D57562233 REV 003

57632218 HEATER ASSEMBLY,QSX

REF.	PART NO.	QTY.	UNIT	DESCRIPTION
001	95056388	2	EA	NIPPLE
002	95264925	1	EA	FITTING, HYD
003	95644241	2	EA	ELBOW, 90DEG-EXT/INT NPT
004	50829605	2	EA	VALVE,BALL-1/2
005	57082018	2	EA	NIPPLE, HOSE
006	95323341	1	EA	ELBOWST-90DEG,EXT/EXTNPT
007	57065260	200.00	IN	HOSE,HYD-A10 BULK
008	57065260	200.00	IN	HOSE,HYD-A10 BULK
009	95279832	4	EA	CLAMP HOSE
010	57661720	2	EA	FITTING,METRIC

HEATER ASSEMBLY,QSX
57632218

57656209

AIR COND,INSTL-QSX/DML

AIR COND,INSTL-QSX/DML
57656209

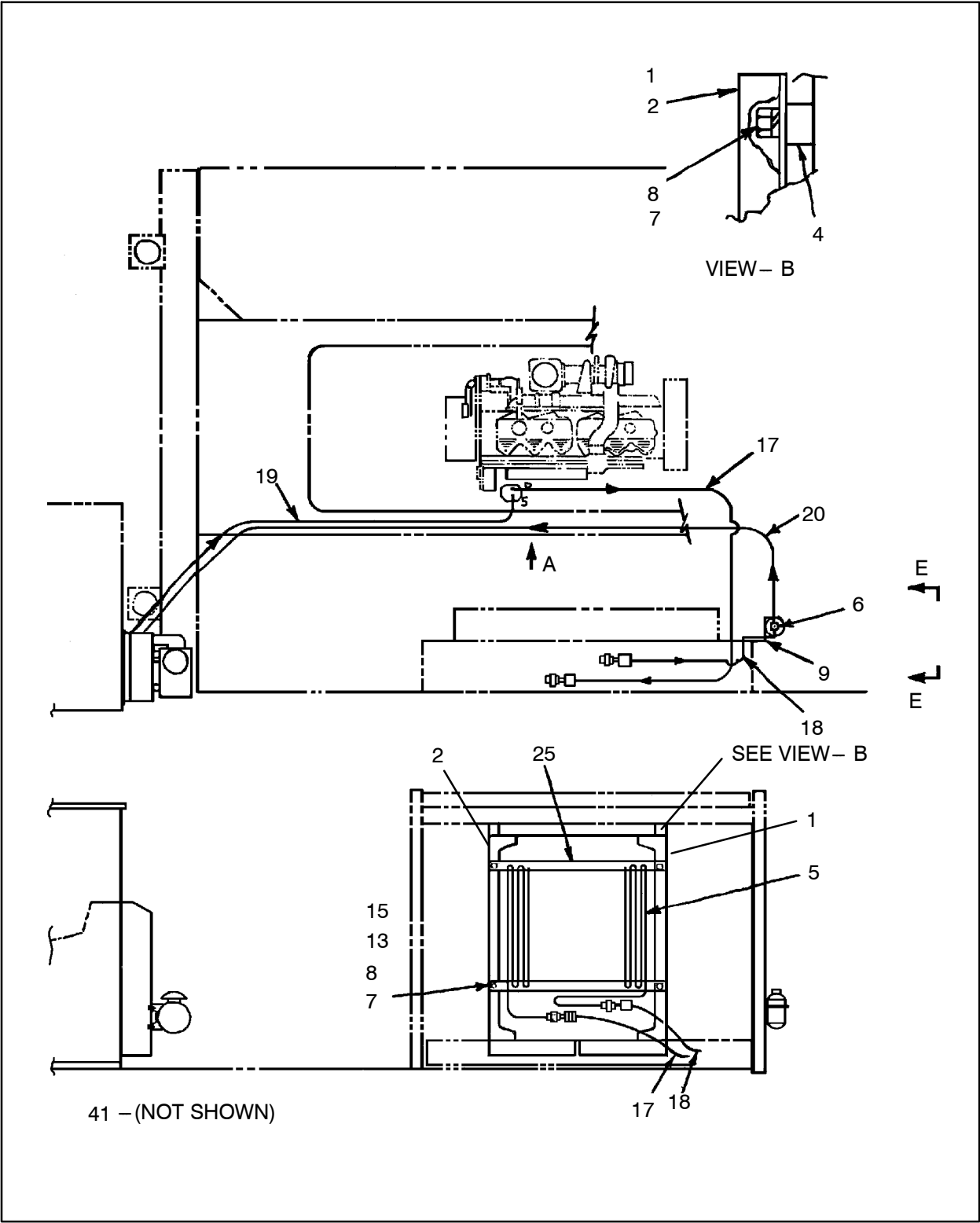


Figure 48 :AIR COND,INSTL-QSX/DML
D57656209 REV 004

57656209 AIR COND,INSTL-QSX/DML

AIR COND,INSTL-QSX/DML
57656209

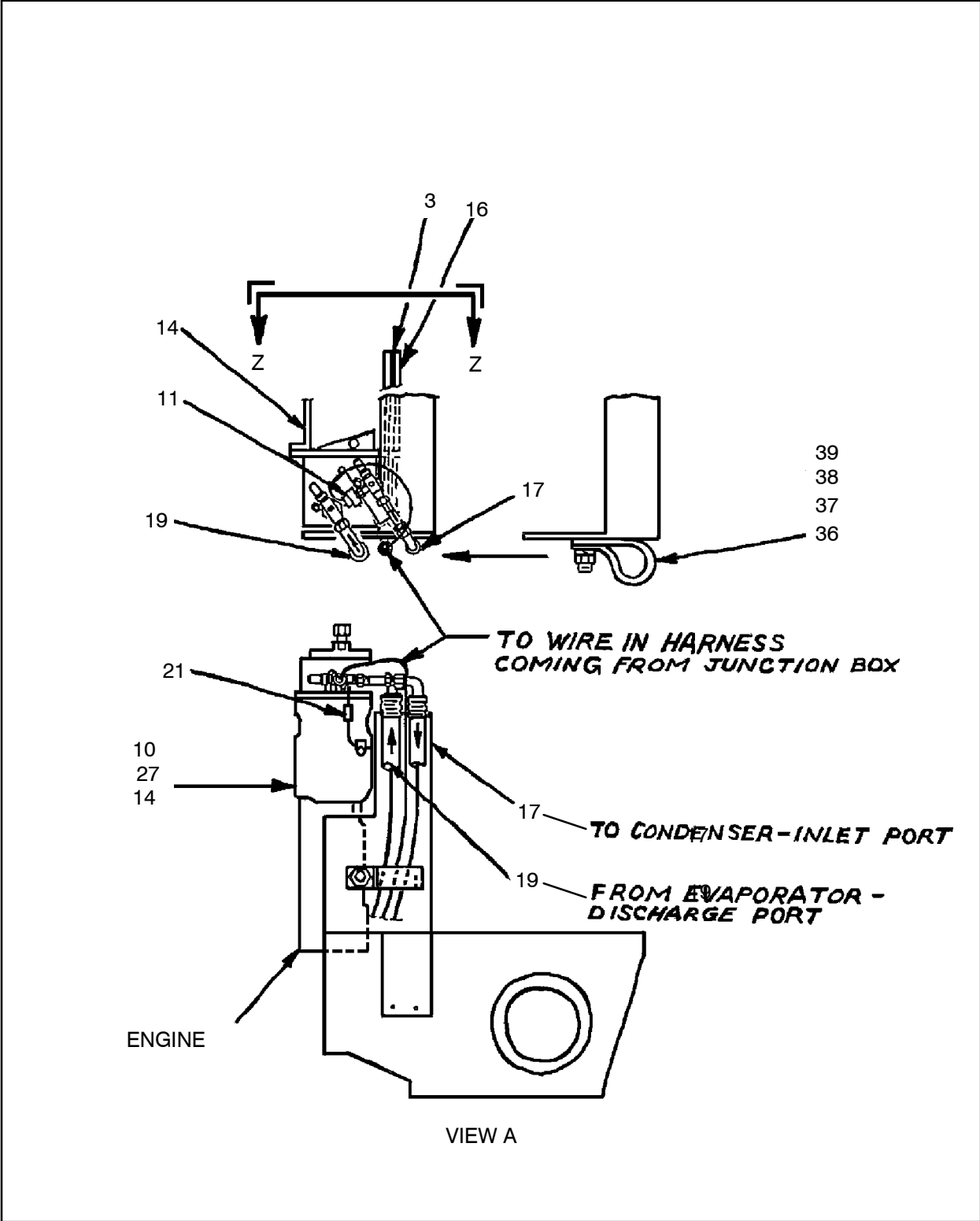


Figure 49 :AIR COND,INSTL-QSX/DML
D57656209 REV 004

57656209 AIR COND,INSTL-QSX/DML

AIR COND,INSTL-QSX/DML
57656209

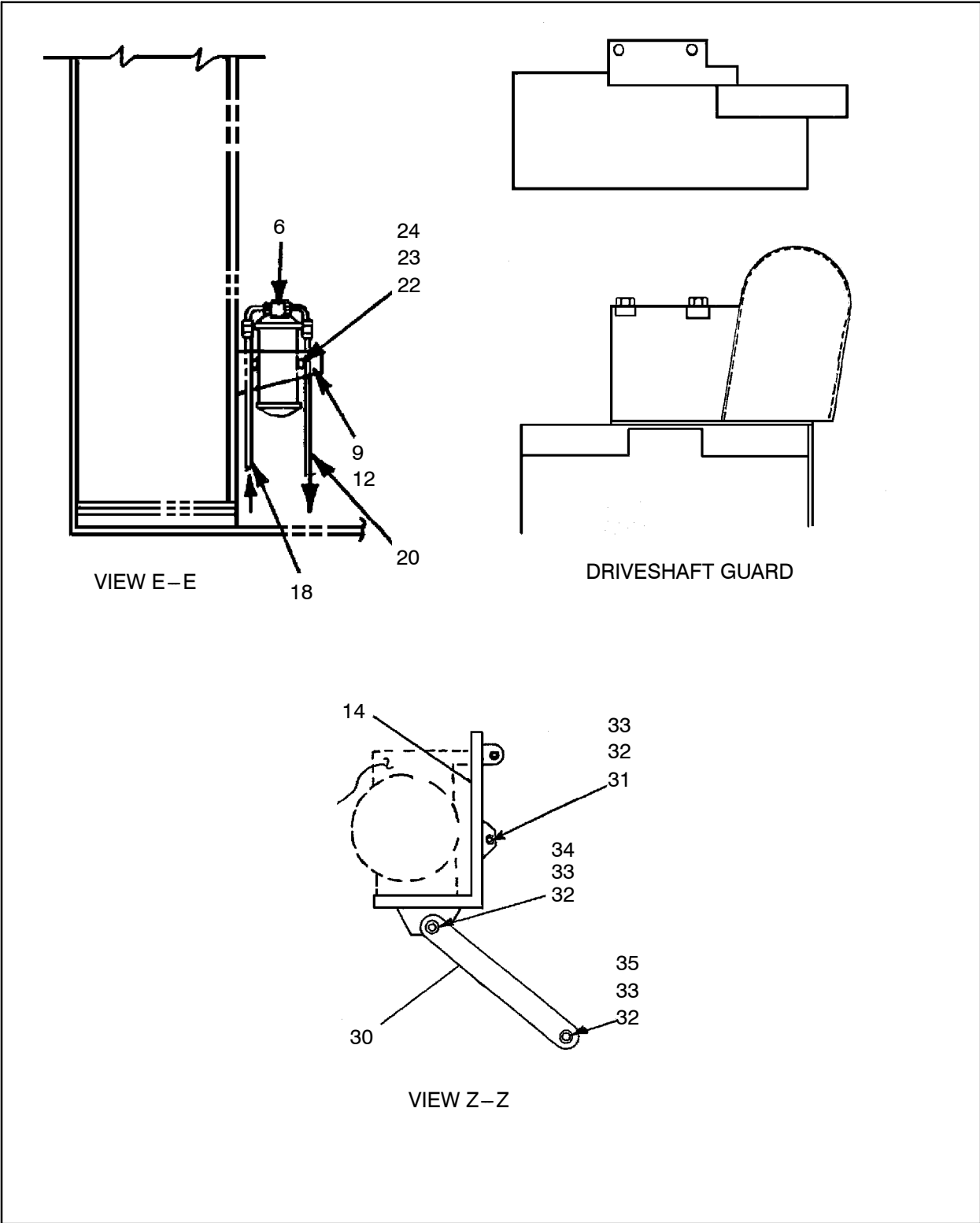
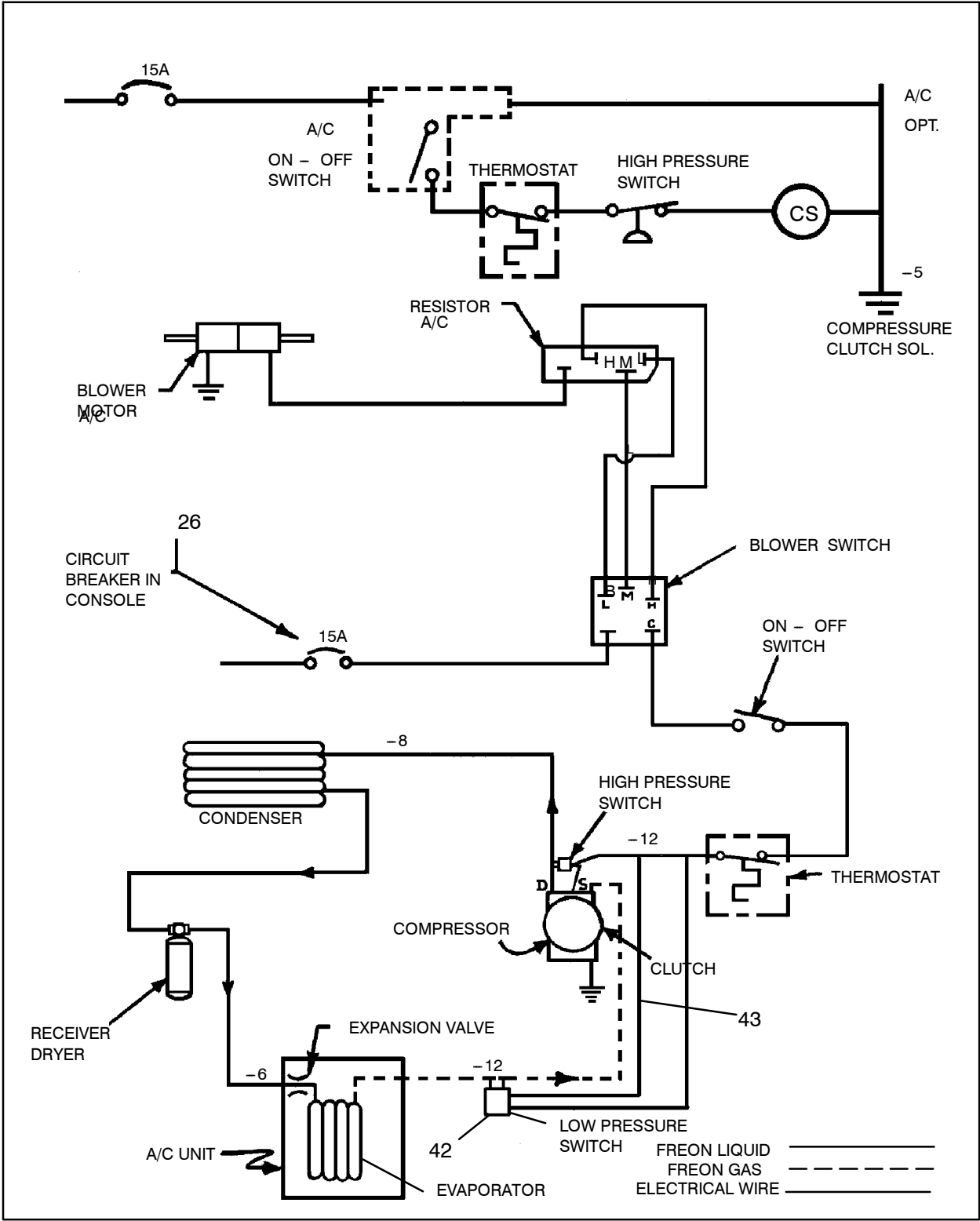


Figure 50 :AIR COND,INSTL-QSX/DML
D57656209 REV 004

57656209 AIR COND,INSTL-QSX/DML



AIR COND,INSTL-QSX/DML
57656209

Figure 51 :AIR COND,INSTL-QSX/DML
 D57656209 REV 004

57656209 AIR COND,INSTL-QSX/DML

AIR COND,INSTL-QSX/DML
57656209

REF.	PART NO.	QTY.	UNIT	DESCRIPTION
001	57643116	1	EA	MOUNT,FUEL COOLER,LH
002	57643132	1	EA	MOUNT,FUEL COOLER,RH
003	57662082	1	EA	BELT,6 GROOVES
004	56987712	4	EA	BAR,TAPPED
005	57364358	1	EA	COIL, CONDENSER
006	57364366	1	EA	DRIER, RECEIVER
007	95937413	4	EA	WASHER,LOCK,HELICAL
008	95922894	4	EA	NUT,HEX,FINISHED
009	57097941	1	EA	BRACKET
010	57364341	1	EA	COMPRESSOR,W/ORINGPORTS
	57440653	1	EA	● - VALVE,SHUTOFF,SUCTIONPRT
	57440661	1	EA	● - O-RING,SHUTOFF VALVE
	57440646	1	EA	● - VALVE,SHUTOFF,DISCHGPORT
	57440661	1	EA	● - O-RING,SHUTOFF VALVE
011	57741837	1	EA	SWITCH,HP-R134A
012	57095515	1	EA	CLAMP, DRIER AIR COND.
013	95920682	4	EA	SCREW,CAP,HEX
014	57662066	1	EA	SUPOPRT,REFRIG.COMPR.
015	95922233	4	EA	WASHER,FLAT,WIDE
016	57662090	1	EA	CLUTCH,24V-6 GROOVE PULL
017	57733966	1	EA	HOSE,ASSEMBLY,A/C
018	57666117	1	EA	HOSE,ASSM,06X108"LG,R134
	57762916	2	EA	● - O-RING,#6,R134A
019	57741811	1	EA	HOSE,ASSM,12 R134A
020	57742256	1	EA	HOSE,ASSM,R134,310LG
	57762916	2	EA	● - O-RING,#6,R134A
021	56762248	3	EA	CONNECTOR, SPLICE
022	95928982	2	EA	SCREW,CAP-1/4-20 X 3/4
023	95931564	2	EA	NUT,HEX,FINISHED
024	95934766	2	EA	WASHER,LOCK,HELICAL
025	57481525	2	EA	MOUNTING, CONDENSER
026	57084055	1	EA	BREAKER,CIRCUIT-15 AMP
027	57364473	7.00	LB	REFRIGERANT, R134A
030	57662074	1	EA	LINK,ADJUSTING,AC COMPR

57656209 AIR COND,INSTL-QSX/DML

REF.	PART NO.	QTY.	UNIT	DESCRIPTION
031	96714795	2	EA	CAPSCREW,HEX HD/35M2AA42
032	96701982	4	EA	WASHER/10M5LC14AM4HR
033	51942571	4	EA	LOCKWASHER
034	96714738	1	EA	SCREW
035	96712146	1	EA	CAPSCREW/34M2AA410M3HR
036	95104147	1	EA	SCREW,CAP,HEX
037	95081667	1	EA	WASHER,FLAT,WIDE
038	95080180	1	EA	NUT, HEX LOCK-1/2-13
039	95301818	1	EA	CLAMP,HOSE
041	57737934	1	EA	OIL,REFRIGERANT,R134A
042	57741829	1	EA	SWITCH,LP-R134A
043	58150103	360.00	IN	CORD,14/2

AIR COND,INSTL-QSX/DML
57656209

57639478 GAUGES & CONTROLS

GAUGES & CONTROLS
57639478

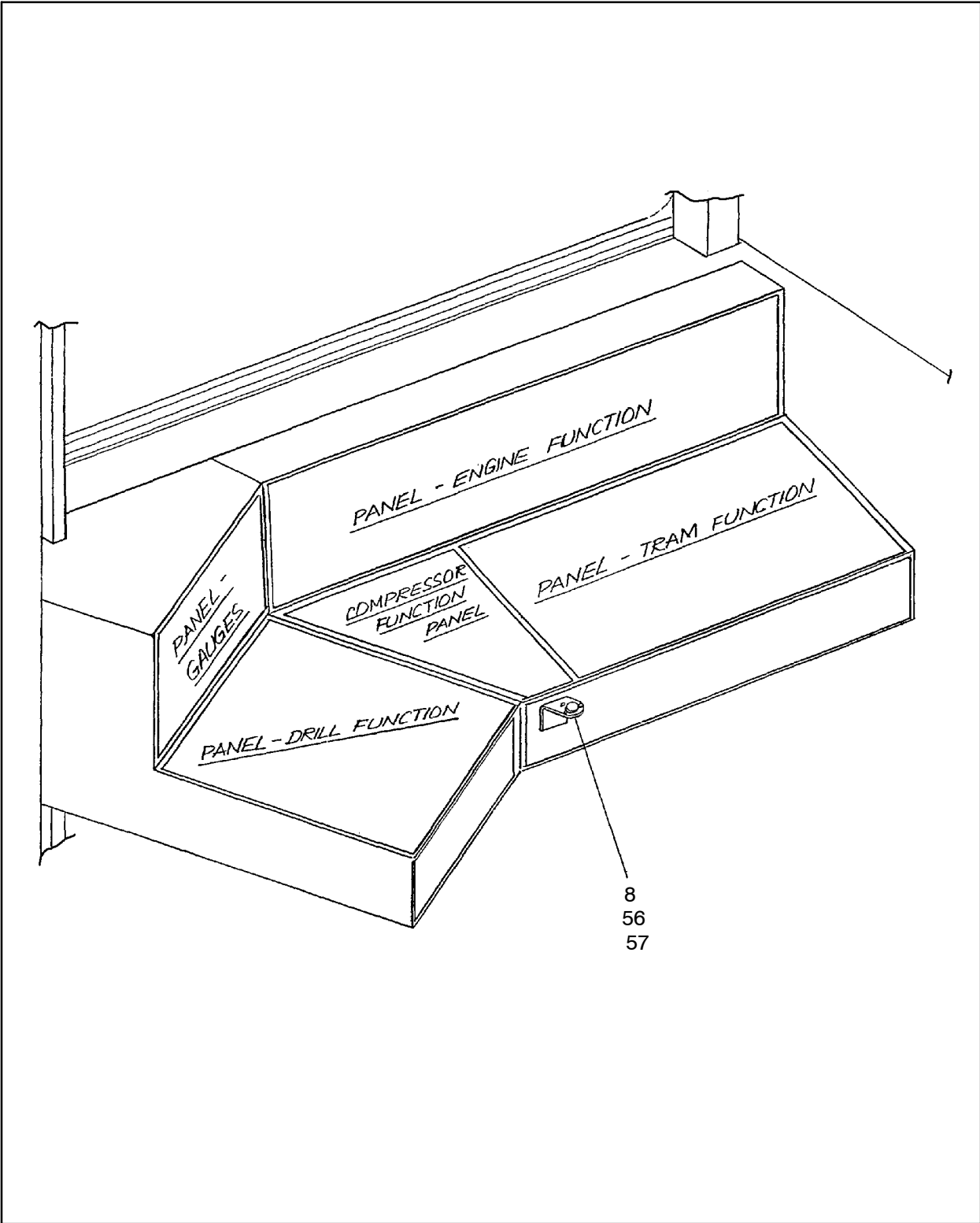
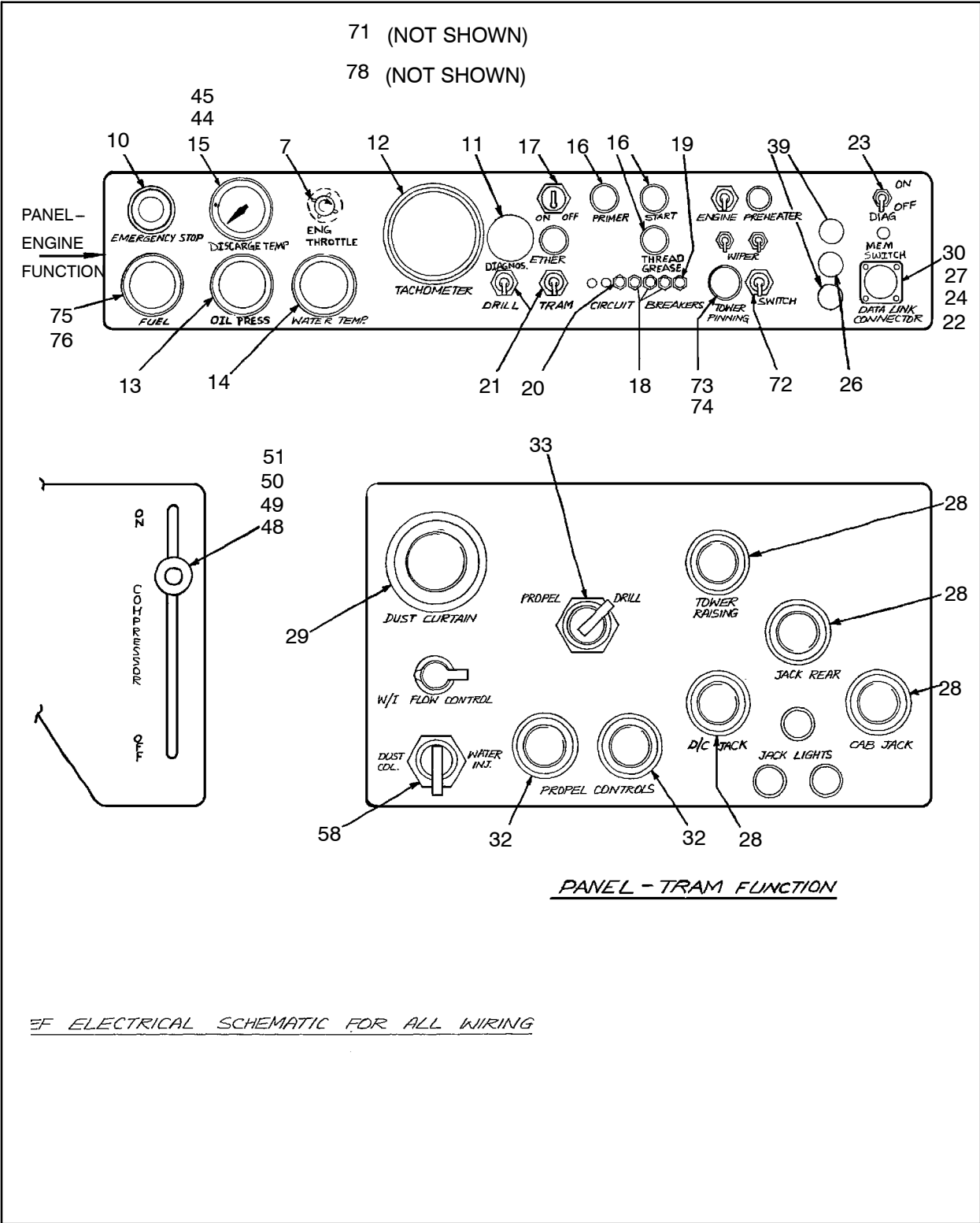


Figure 55 :GAUGES & CONTROLS
D57639478 REV 003

57639478 GAUGES & CONTROLS

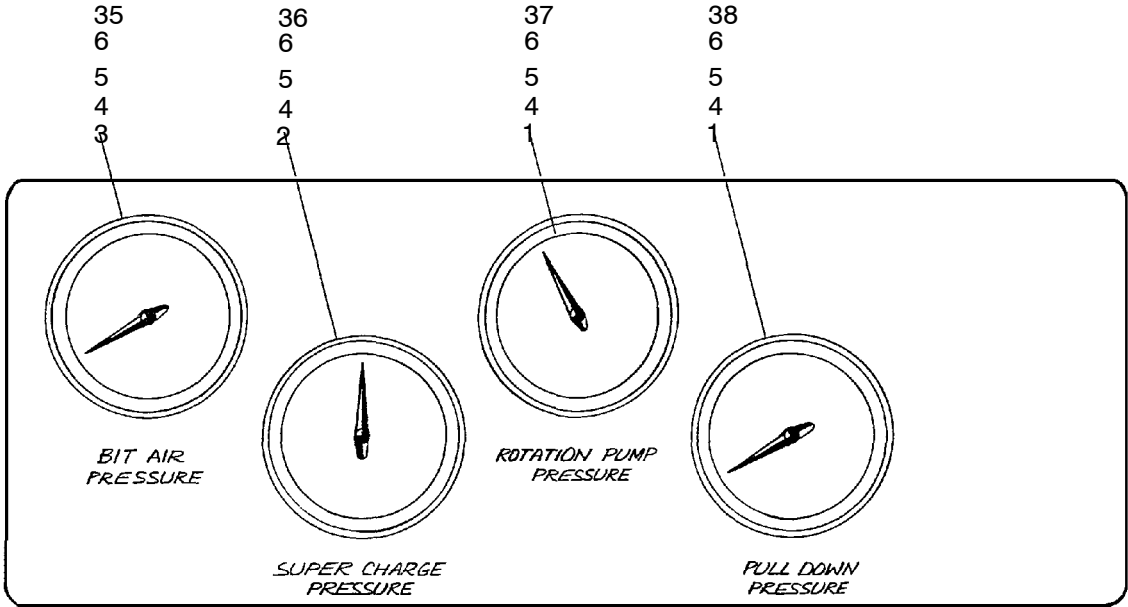


GAUGES & CONTROLS
 57639478

Figure 56 :GAUGES & CONTROLS
 D57639478 REV 003

57639478 GAUGES & CONTROLS

GAUGES & CONTROLS
57639478



PANEL - GAUGES

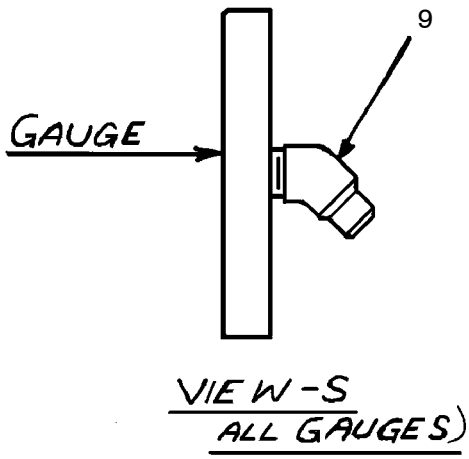
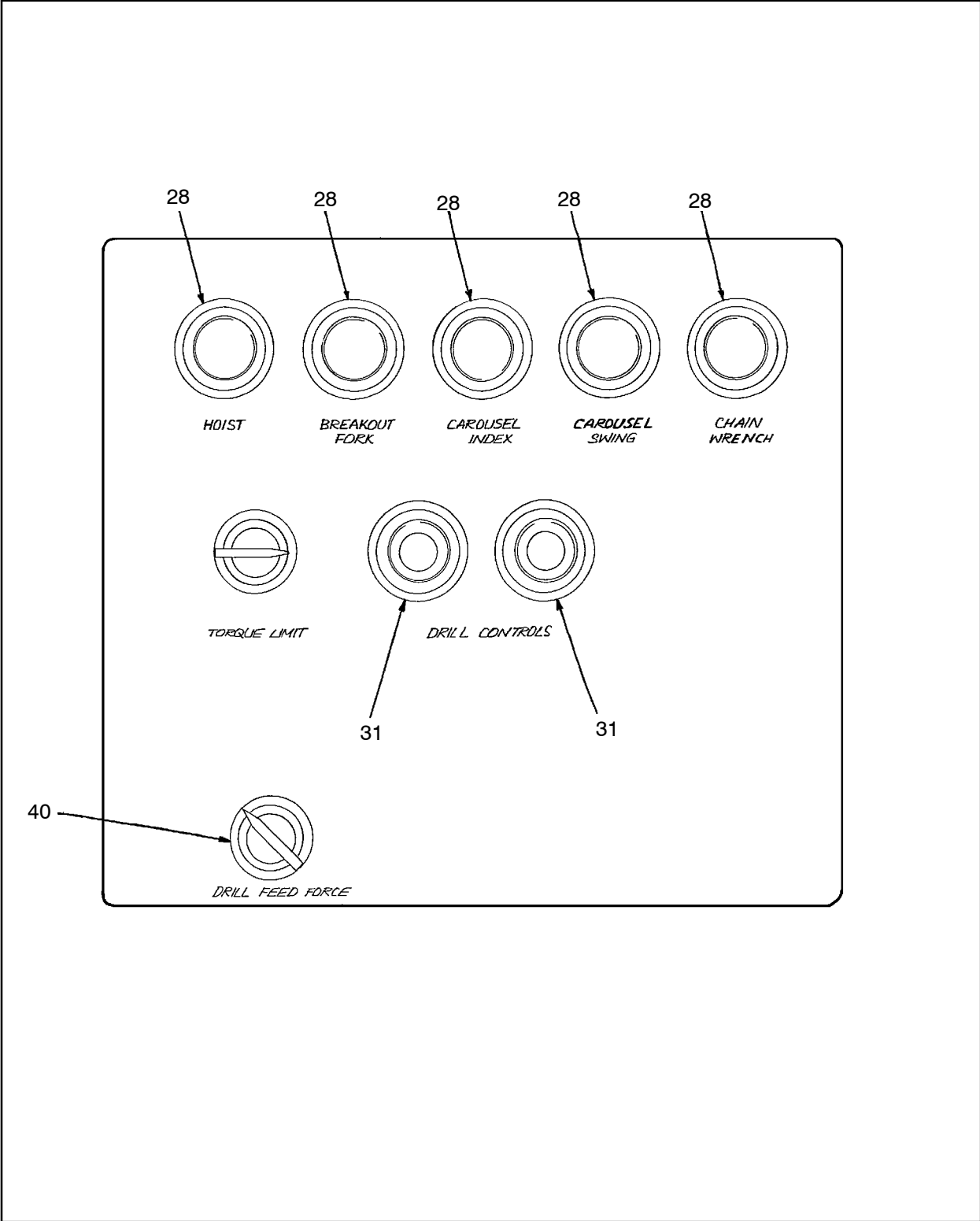


Figure 57 :GAUGES & CONTROLS
D57639478 REV 003

57639478 GAUGES & CONTROLS



GAUGES & CONTROLS
57639478

Figure 58 :GAUGES & CONTROLS
D57639478 REV 003

57639478 GAUGES & CONTROLS

GAUGES & CONTROLS
57639478

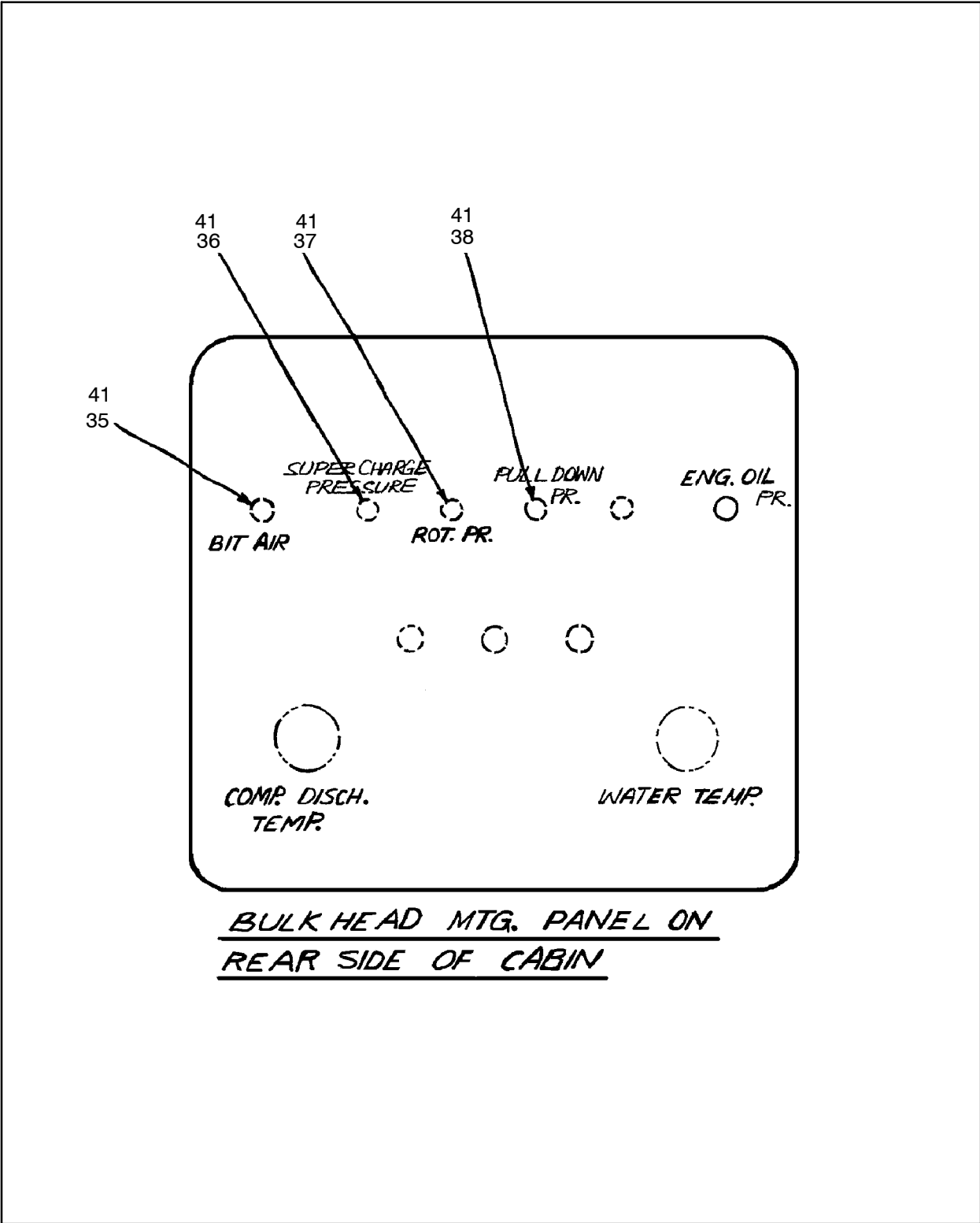


Figure 59 :GAUGES & CONTROLS
D57639478 REV 003

57639478 GAUGES & CONTROLS

REF.	PART NO.	QTY.	UNIT	DESCRIPTION
001	54413000	2	EA	GAUGE,PRESSURE W/SNUBBER
002	56951395	1	EA	GAUGE,AIR PRESS-400 PSI
003	57428393	1	EA	GAUGE,AIR PRESS-160 PSI
004	95933248	12	EA	SCREW,ROUND HD-6-32X3/4
005	95922548	12	EA	LOCKWASHER-NO. 6
006	95076717	12	EA	NUT, MACHINE-HEX, #6-32
007	57482010	1	EA	CONTROL, THROTTLE, ELEC
008	58038761	1	EA	LEVEL
009	95293353	4	EA	ADAPTER
010	855017P0286	1	EA	SWITCH PUSHBUTTON
011	57632697	1	EA	MODULE,MURPHY LNK DISPLY
012	57632655	1	EA	TACHOMETER,MLINK ANALOG
013	57632754	1	EA	GAUGE,OIL PRESS M-LINK
014	57632747	1	EA	GAUGE,WATER TEMP M-LINK
015	57093155	1	EA	GAUGE,TEMP
016	52185832	3	EA	SWITCH, PUSH BUTTON
017	56993678	1	EA	SWITCH, KEY
018	57084055	3	EA	BREAKER, CIRCUIT-15 AMP
019	57117848	1	EA	BREAKER, CIRCUIT-5 AMP
020	57091274	3	EA	BREAKER, CIRCUIT-20 AMP
021	56762198	2	EA	SWITCH, TOGGLE-SPST
022	57651267	1	EA	CAP,PROTECTIVE
023	57179608	1	EA	SWITCH, SPST/ON-OFF
024	59356907	1	EA	CONNECTOR, 3-WAY, MALE
026	57438889	1	EA	INDICATORPANELMTG.YELLOW
027	57651242	1	EA	CONNECTOR
028	57338238	9	EA	CONTROLLER, REMOTE PROP.
	57378192	2	EA	●- SWITCH,MINIATURE LIMIT
029	57502031	1	EA	CONTROLLER, DUAL AXIS
030	57651259	9	EA	TERMINAL
031	57389561	2	EA	CONTROLLER, PUMP
	57020083	1	EA	●- BOOT, RUBBER
	57438772	1	EA	●- BOOT, OEM PUSH BUTTON
	57684284	1	EA	●- HANDLE ASDSEMBLY
	57684292	1	EA	●- SWITCH,HANDLE BUTTON
	57378192	3	EA	●- SWITCH,MINIATURE LIMIT
	57679664	1	EA	●- KNOB

GAUGES & CONTROLS
57639478

57639478 GAUGES & CONTROLS

GAUGES & CONTROLS
57639478

REF.	PART NO.	QTY.	UNIT	DESCRIPTION
-----	57684300-----	1-----	EA-----	● - CIRCUIT BOARD
032	57400350-----	2-----	EA----	CONTROLLER-PUMP
033	57332215-----	1-----	EA----	SWITCH, 2-POSITION
035	57015521-----	1-----	EA----	HOSE ASSY
036	56972672-----	1-----	EA----	HOSE ASSY
037	58170465-----	1-----	EA----	HOSE ASSY
038	58170465-----	1-----	EA----	HOSE ASSY
039	57491813-----	2-----	EA----	INDICATOR,PANELMTG-RED
040	54498357-----	1-----	EA----	CONTROLLER,ROTARY PROP.
041	95371704-----	4-----	EA----	FITTING, HYD
044	95037784-----	1-----	EA----	BUSHING
045	95279162-----	1-----	EA----	ELBOW,45 DEG. MALE
048	57500324-----	1-----	EA----	CONTROLLER, LEVER
049	95931564-----	2-----	EA----	NUT,HEX,FINISHED
050	95934766-----	2-----	EA----	WASHER,LOCK,HELICAL
051	95920724-----	2-----	EA----	SCREW, CAP-1/4-20 X1-1/2
056	58145392-----	1-----	EA----	RUBBER
057	95349023-----	3-----	EA----	SCREW,MACH
058	57332199-----	1-----	EA----	SWITCH, 3-POSITION
071	57394603-----	9-----	EA----	RELAY, DPDT 24V COIL
072	57216913-----	1-----	EA----	SWITCH, TOGGLE
073	50270040-----	1-----	EA----	LIGHT, PILOT
074	50611235-----	1-----	EA----	LAMP, PANEL
075	57534281-----	1-----	EA----	GAUGE, FUEL-24VDC
-----	57534315-----	0-----	EA-----	● - PANEL, ONE GAUGE
076	57443954-----	1-----	EA----	KIT,LIGHT GAUGE-24VDC
078	57017378-----	1-----	EA----	SWITCH, SPEED

57639478 GAUGES & CONTROLS

This page is intentionally blank.

GAUGES & CONTROLS
57639478

DERRICK/TOWER

SECTION

DERRICK/TOWER

This page is intentionally blank.

SECTION

DERRICK/TOWER

57518441 TOWER ASSY, COMMONS

TOWER ASSY, COMMONS
57518441

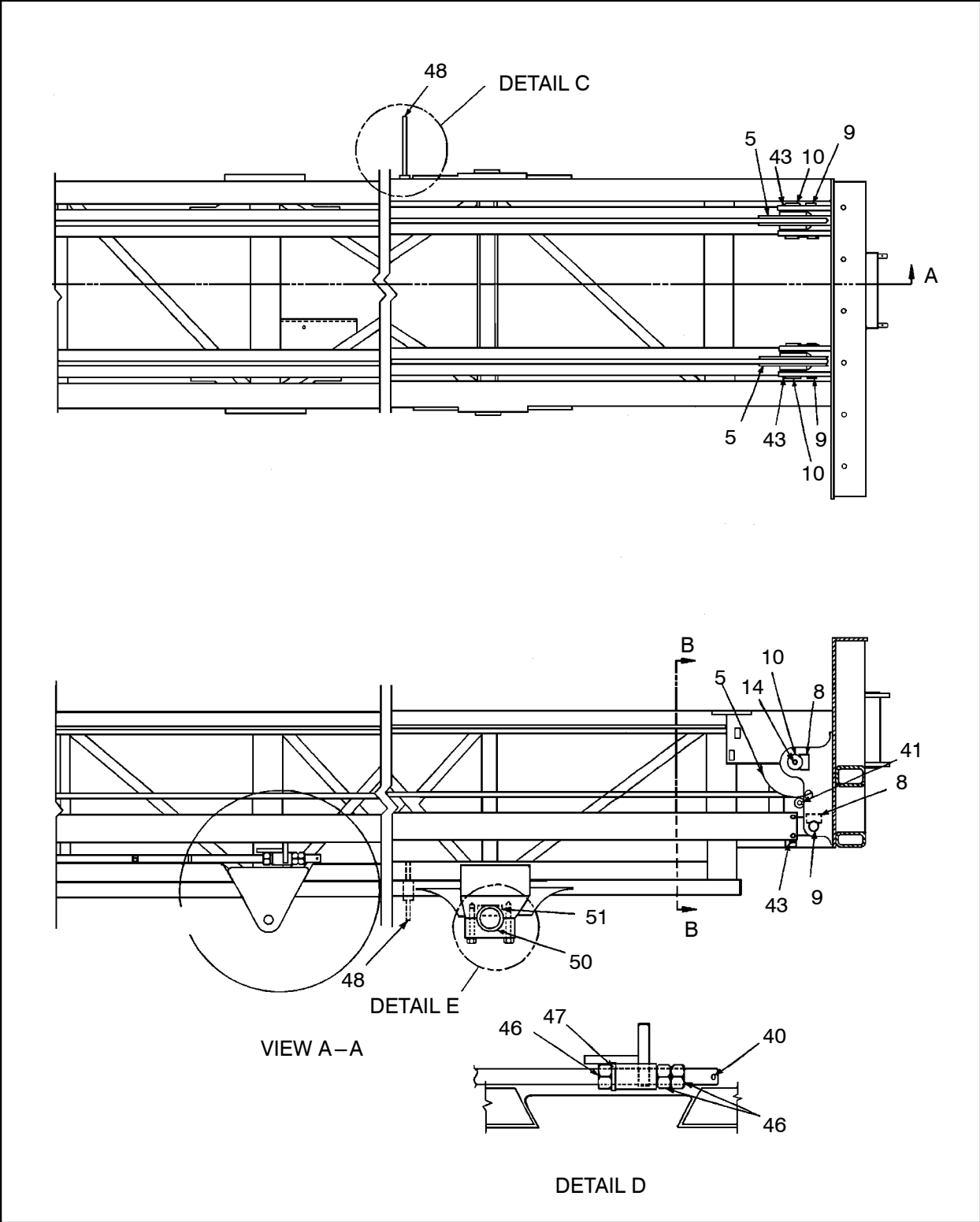
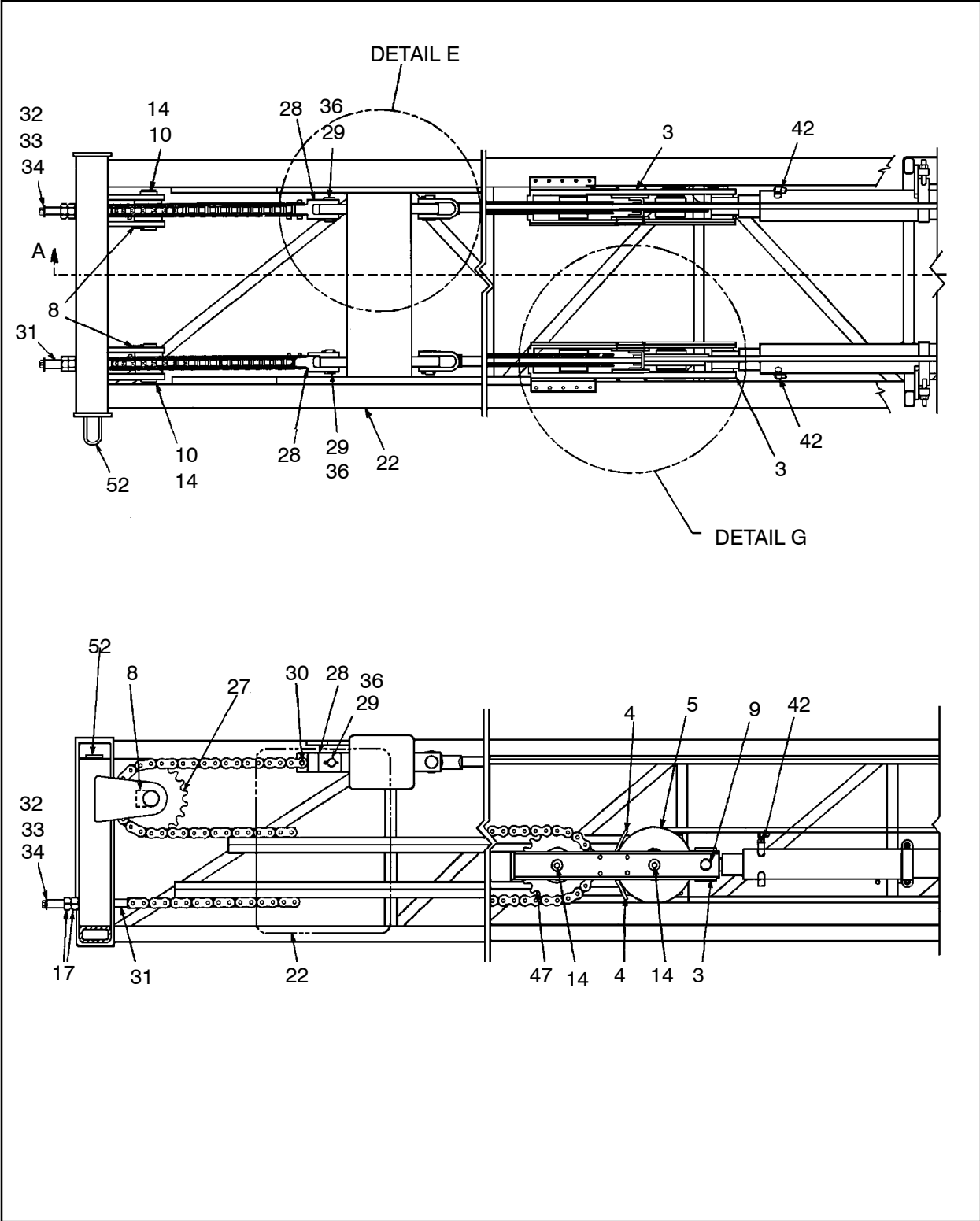


Figure 55 :TOWER ASSY, COMMONS
E57518441 REV000

57518441 TOWER ASSY, COMMONS



TOWER ASSY, COMMONS
57518441

Figure 56 :TOWER ASSY, COMMONS
E57518441 REV000

57518441 TOWER ASSY, COMMONS

TOWER ASSY, COMMONS
57518441

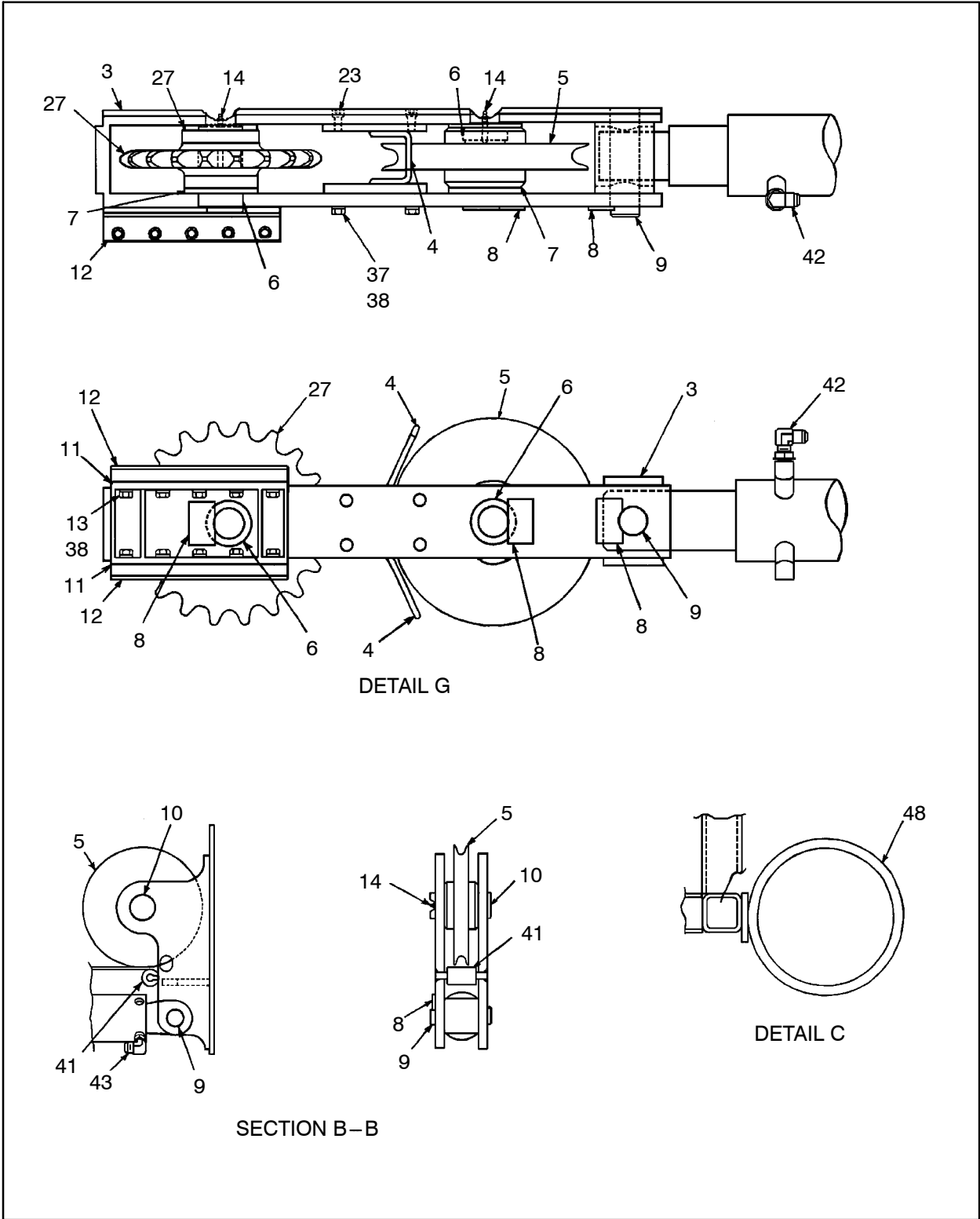
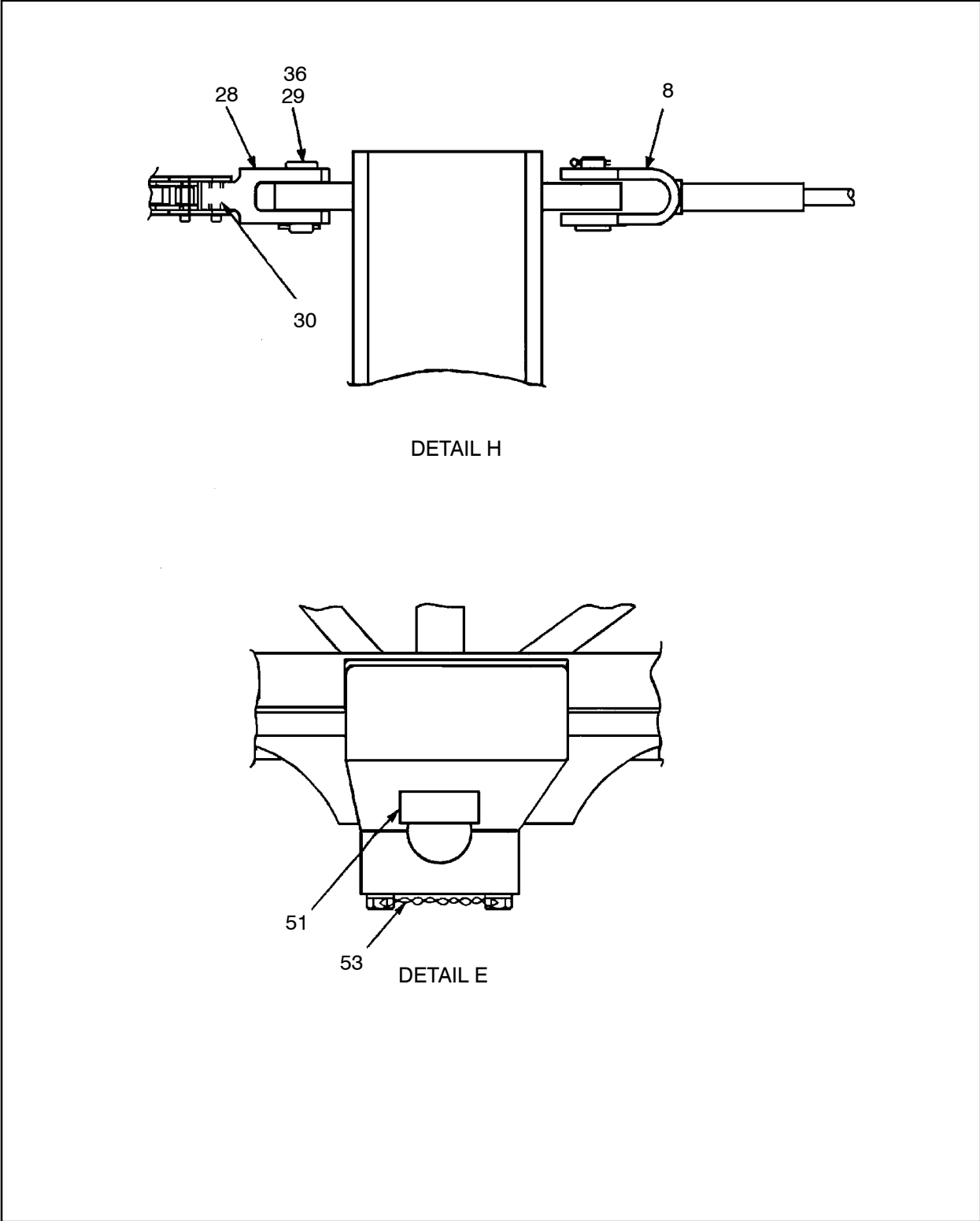


Figure 57 :TOWER ASSY, COMMONS
E57518441 REV000

57518441 TOWER ASSY, COMMONS



TOWER ASSY, COMMONS
57518441

Figure 58 :TOWER ASSY, COMMONS
E57518441 REV000

57518441 TOWER ASSY, COMMONS

TOWER ASSY, COMMONS
57518441

REF.	PART NO.	QTY.	UNIT	DESCRIPTION
003	57414641	2	EA	GUIDE, SHEAVE/SPRKT
004	57410599	4	EA	RETAINER, CABLE
005	52228848	4	EA	SHEAVE W/BUSH-1 ROPE
	57432700	1	EA	●- SHEAVE,MACHINED-1 ROPE
	57396236	1	EA	●- CASTING, SHEAVE
	50412626	1	EA	●- BUSHING
006	50338987	4	EA	PIN, SPROCKET
007	50334457	8	EA	WASHER, THRU
008	50339019	12	EA	PLATE, LOCKING
009	50339001	4	EA	PIN, CYLINDER
010	52227337	4	EA	PIN, SPROCKET
011	50339027	4	EA	SHIM, GUIDE
012	52147543	4	EA	BLOCK, GUIDE
013	95157731	20	EA	SCREW, CAP-1/2 X 1.5
014	95201547	8	EA	FITTING,LUBE
017	95077723	4	EA	NUT, HEX-1-1/2-6
022	57397325	2	EA	PLATE, MTG -IR LOGO
023	95233532	8	EA	SCREW, CAP-1/2-13 X 1
027	57407173	4	EA	SPROCKET W/BUSH-20T
	57407009	1	EA	●- SPROCKET, 2 P. 20 TEETH
	57035230	1	EA	●- HUB BLANK
	50412626	1	EA	●- BUSHING
028	57407017	2	EA	ADAPTER, CHAIN
	57562548	1	EA	●- CASTING-ADAPTER,CHAIN
029	57407181	2	EA	PIN, ADAPTER CHAIN
030	50702927	2	EA	BUSHING, CHAIN ANCHOR
031	50339043	2	EA	BOLT, CHAIN
032	95104394	2	EA	SCREW, CAP-5/8-11 X 1
033	95081790	2	EA	WASHER, LOCK-5/8
034	95094314	2	EA	WASHER, FLAT-5/8
036	95210852	2	EA	PIN, COTTER-3/16 X 2-1/2
037	95104188	8	EA	SCREW, CAP-1/2-13 X1-3/4
038	95081824	28	EA	WASHER, LOCK-1/2
040	95246062	2	EA	PIN, ROLL-3/8 X 3-3/4
041	57446270	2	EA	BRACKET, CABLE GUIDE
	57446262	1	EA	●- ROLLER-2 OD X 3.50 LG
	56998164	2	EA	●- BAR,SQUARE

57518441 TOWER ASSY, COMMONS

REF.	PART NO.	QTY.	UNIT	DESCRIPTION
042	57167934	2	EA	FITTING, L90-120FSX12SAE
043	57296394	2	EA	FITTING, L90-160FSX12SAE
046	95085957	6	EA	NUT,HEX JAM-1-1/2-6
047	95238119	2	EA	WASHER,LOCK-1-1/2
048	57250482	1	EA	HOSE GUARD ASSY
	57250466	1	EA	●- GUARD, HOSE RING
	57053332	1	EA	●- STRAP
050	56247232	12	EA	SPACER,SHAFT-DMC TOWER
051	57038549	2	EA	BAR,FLAT
052	95413449	1	EA	U-BOLT
053	50344605	3.00	FT	WIRE, LOCK

TOWER ASSY, COMMONS

57518441

57518466

TOWER ASSY UNIQUES, 30FT

TOWER ASSY UNIQUES, 30FT
57518466

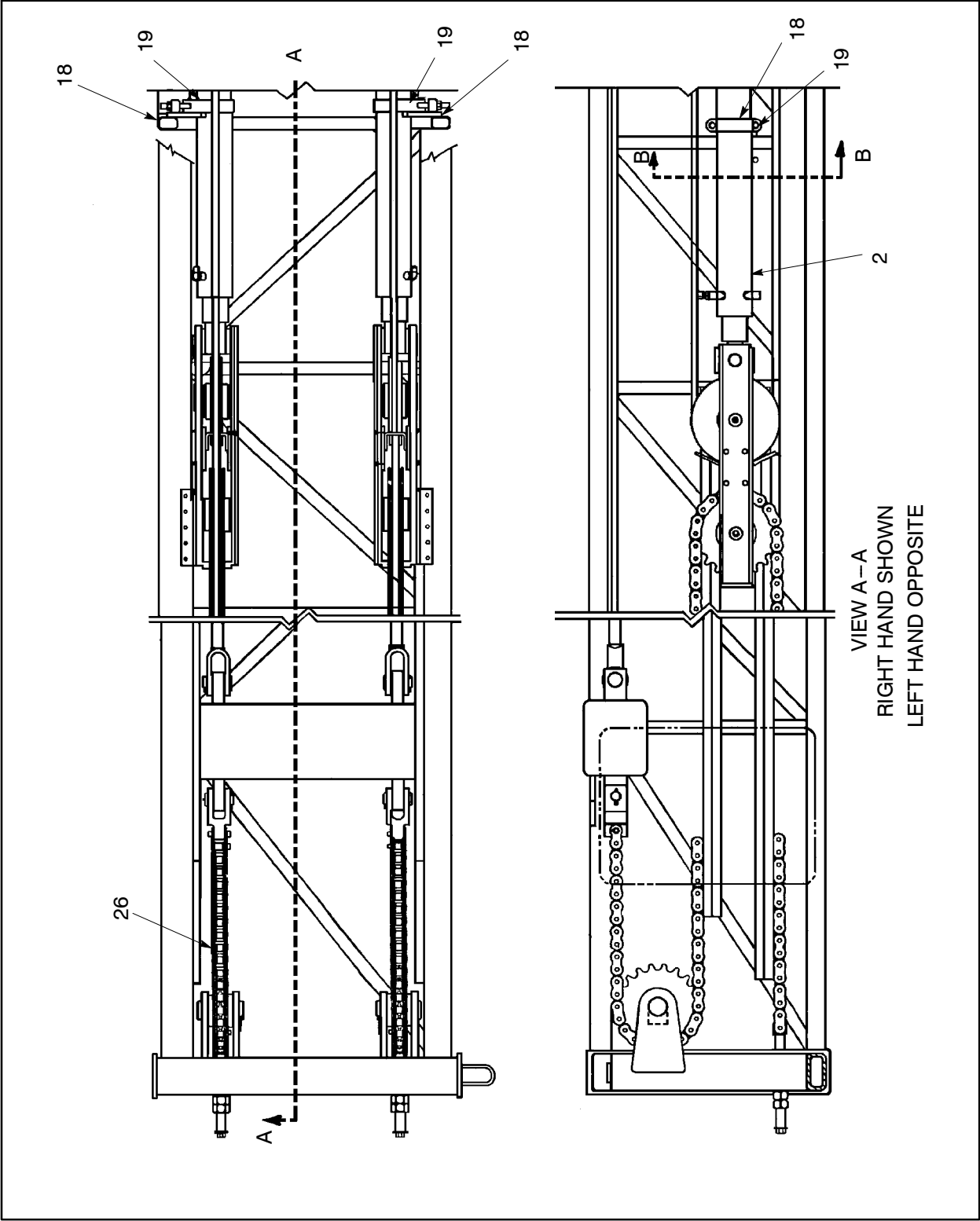
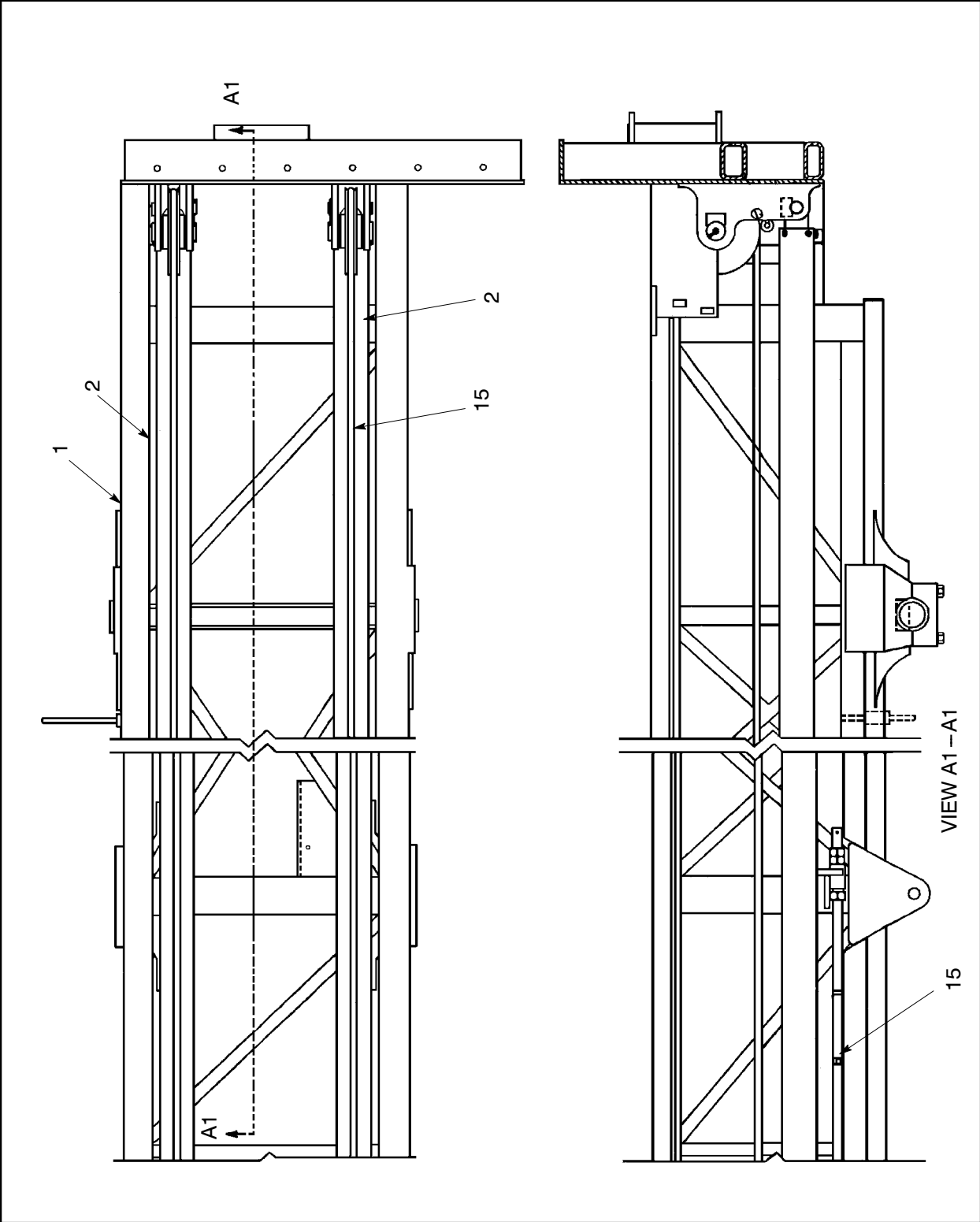


Figure 64 :TOWER ASSY UNIQUES, 30FT
E57518458 REV 001

57518466 TOWER ASSY UNIQUES, 30FT



TOWER ASSY UNIQUES, 30FT
57518466

Figure 65 :TOWER ASSY UNIQUES, 30FT
E57518458 REV 001

57518466 TOWER ASSY UNIQUES, 30FT

TOWER ASSY UNIQUES, 30FT
57518466

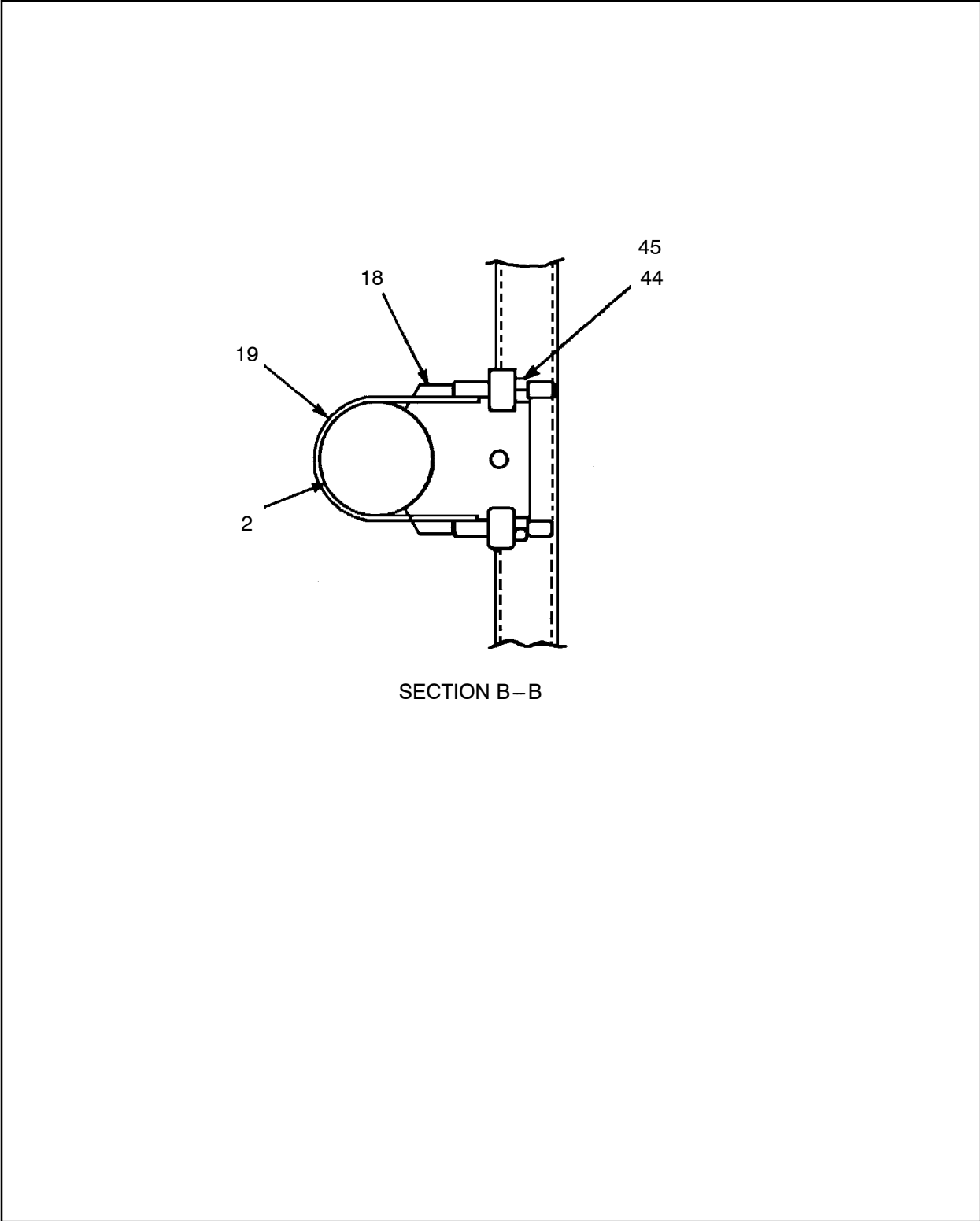


Figure 66 :TOWER ASSY UNIQUES, 30FT
E57518458 REV 001

57518466 TOWER ASSY UNIQUES, 30FT

REF.	PART NO.	QTY.	UNIT	DESCRIPTION
001	57497562	1	EA	WELDMENT, TOWER-30FT, TELE (See figure 67)
002	57484263	2	EA	CYLINDER, HYDRAULIC
	57512311	1	EA	● - KIT, SEAL
015	57506446	2	EA	CABLE ASSY-FOR 30' TOWER
	57622979	1	EA	● - PIN W/COTTER PIN-CABLE
018	57315798	2	EA	SUPPORT, FEED CYL-5 OD
019	57315780	2	EA	CLAMP, FEED CYL-5 OD
026	57501116	2	EA	CHAIN, ROLLER-30FT TOWER
044	95069571	4	EA	WASHER, FLAT-3/4
045	95077319	4	EA	NUT, HEX STOP-3/4-10

TOWER ASSY UNIQUES, 30FT
 57518466

57497562 WELDMENT,TOWER – 30FT,TELE

TOWER ASSY UNIQUES, 30FT
57518466

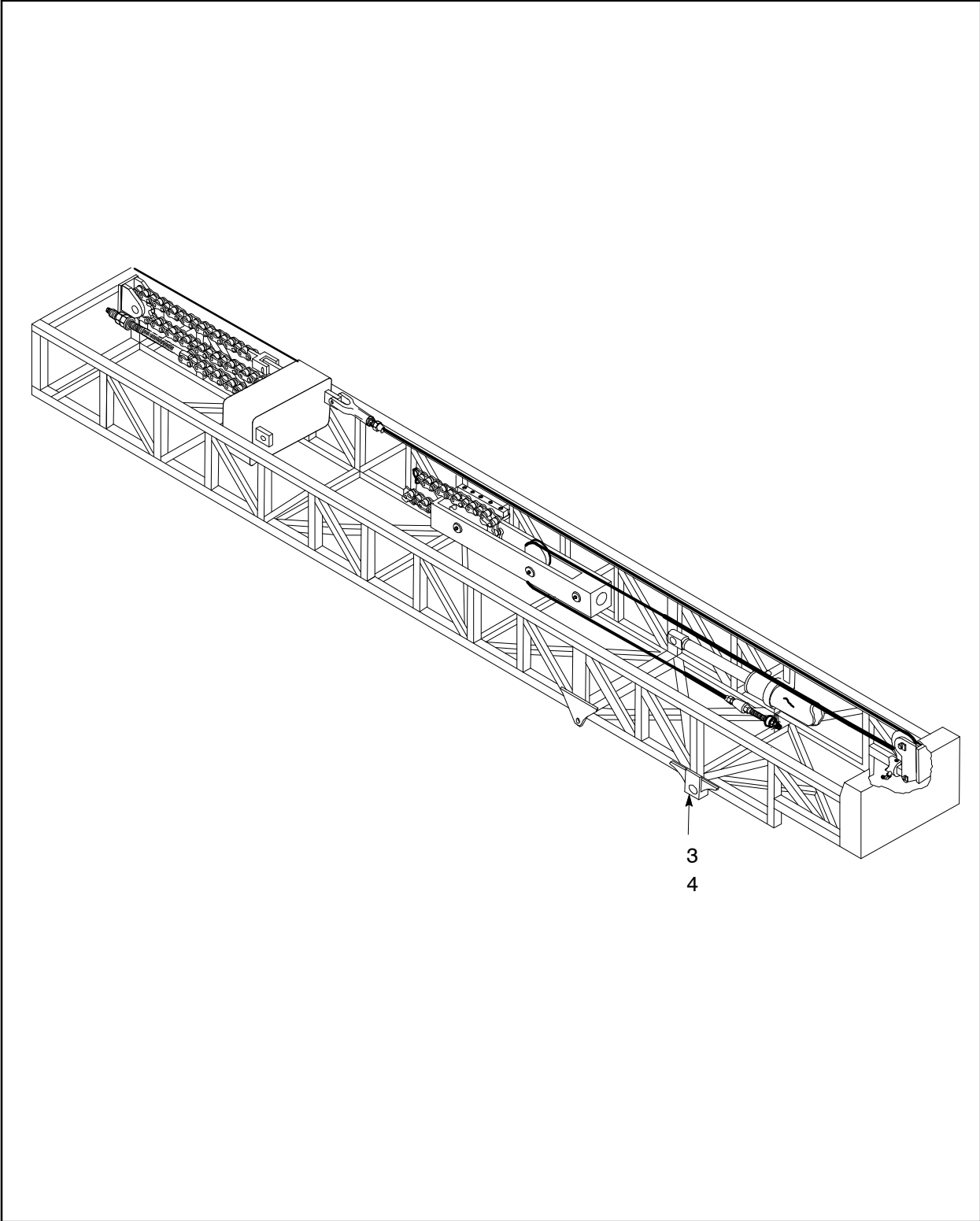


Figure 67 :WELDMENT,TOWER – 30FT,TELE
E57423246 REV 005

57497562 WELDMENT,TOWER – 30FT,TELE

REF.	PART NO.	QTY.	UNIT	DESCRIPTION	
003	57423006	1	EA	BLOCK-PIVOT ASSY-R.H.	(See figure 68)
004	57423014	1	EA	BLOCK-PIVOT ASSY-L.H	(See figure 69)

TOWER ASSY UNIQUES, 30FT
57518466

57423006 BLOCK-PIVOT ASSY-R.H.

TOWER ASSY UNIQUES, 30FT
57518466

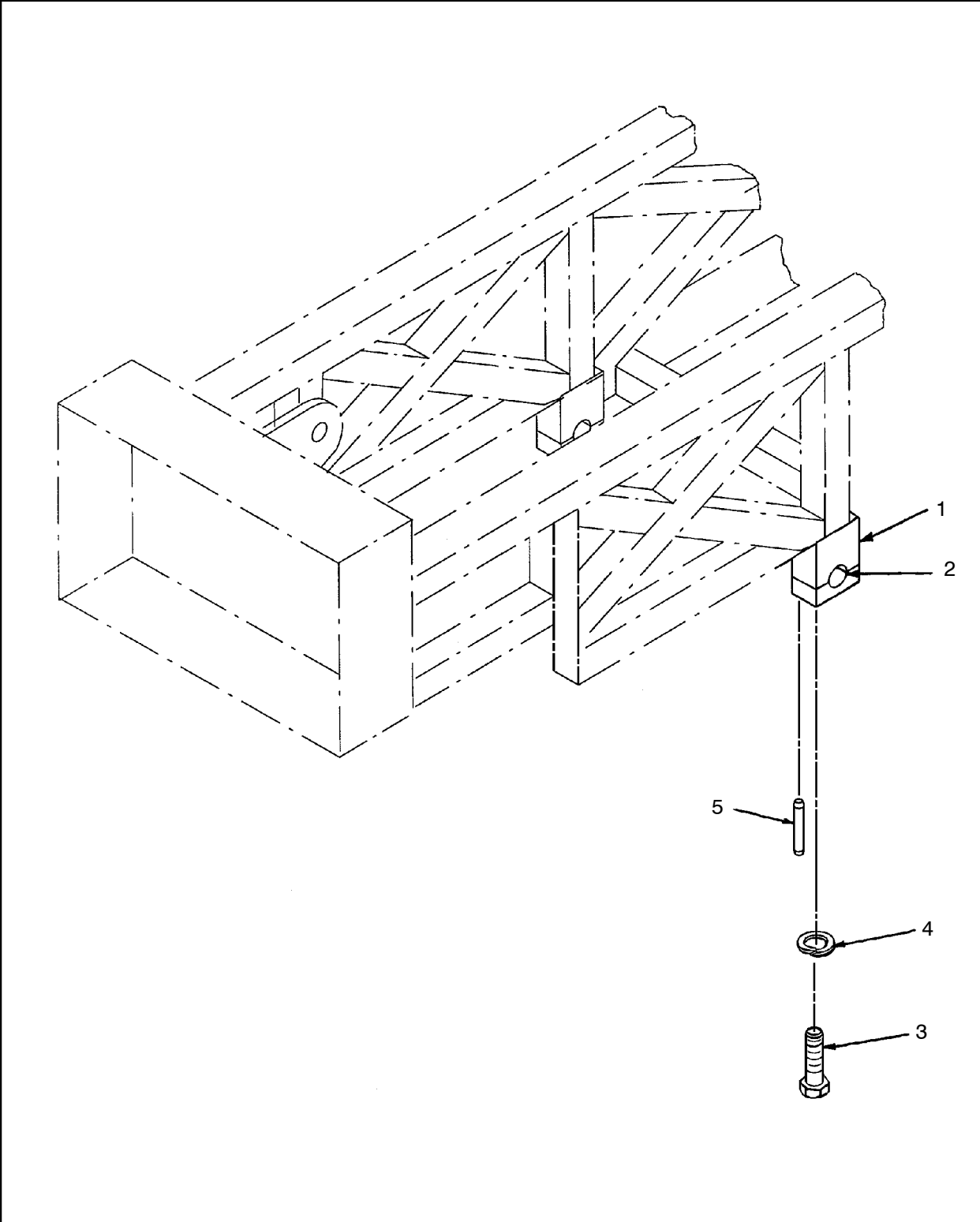


Figure 68 :BLOCK-PIVOT ASSY-R.H.
D57423006 REV 001

57423006 BLOCK-PIVOT ASSY-R.H.

REF.	PART NO.	QTY.	UNIT	DESCRIPTION
001	57422982	1	EA	BLOCK-PIVOT-UPPER R.H.
002	57422974	1	EA	BLOCK-PIVOT-LOWER
003	95985438	4	EA	SCREW, CAP
004	95228169	4	EA	WASHER, LOCK-1
005	95034005	1	EA	PIN, ROLL-1/4 X 1-1/2

TOWER ASSY UNIQUES, 30FT
57518466

57423014 BLOCK-PIVOT ASSY-L.H

TOWER ASSY UNIQUES, 30FT
57518466

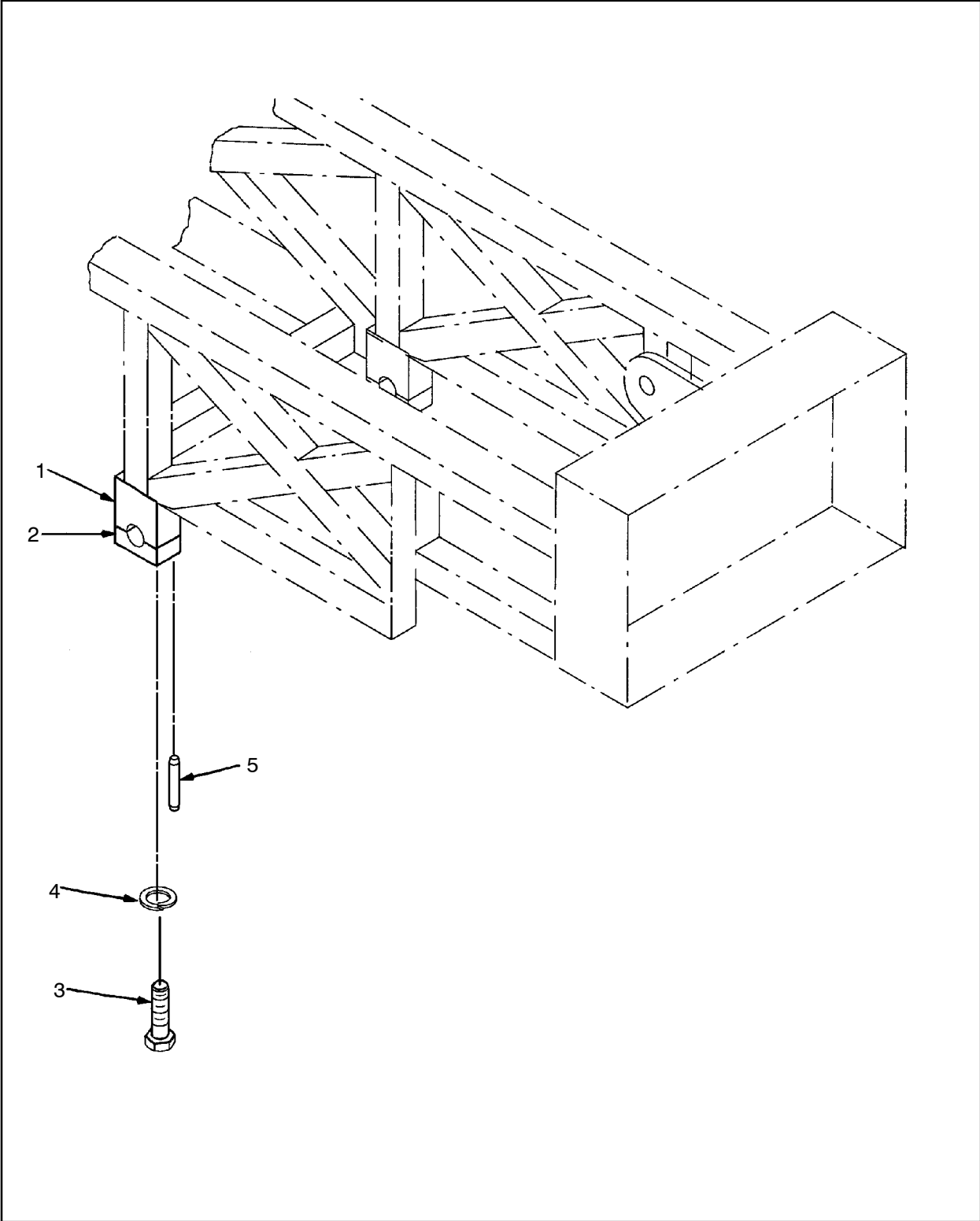


Figure 69 :BLOCK-PIVOT ASSY-L.H
D57423014 REV 001

57423014 BLOCK-PIVOT ASSY-L.H

REF.	PART NO.	QTY.	UNIT	DESCRIPTION
001	57422990	1	EA	BLOCK-PIVOT-UPPER L.H.
002	57422974	1	EA	BLOCK-PIVOT-LOWER
003	95985438	4	EA	SCREW, CAP
004	95228169	4	EA	WASHER, LOCK-1
005	95034005	1	EA	PIN, ROLL-1/4 X 1-1/2

TOWER ASSY UNIQUES, 30FT
57518466

57518508 PIPING, TOWERUNIQUE-30FT

PIPING, TOWERUNIQUE-30FT 57518508

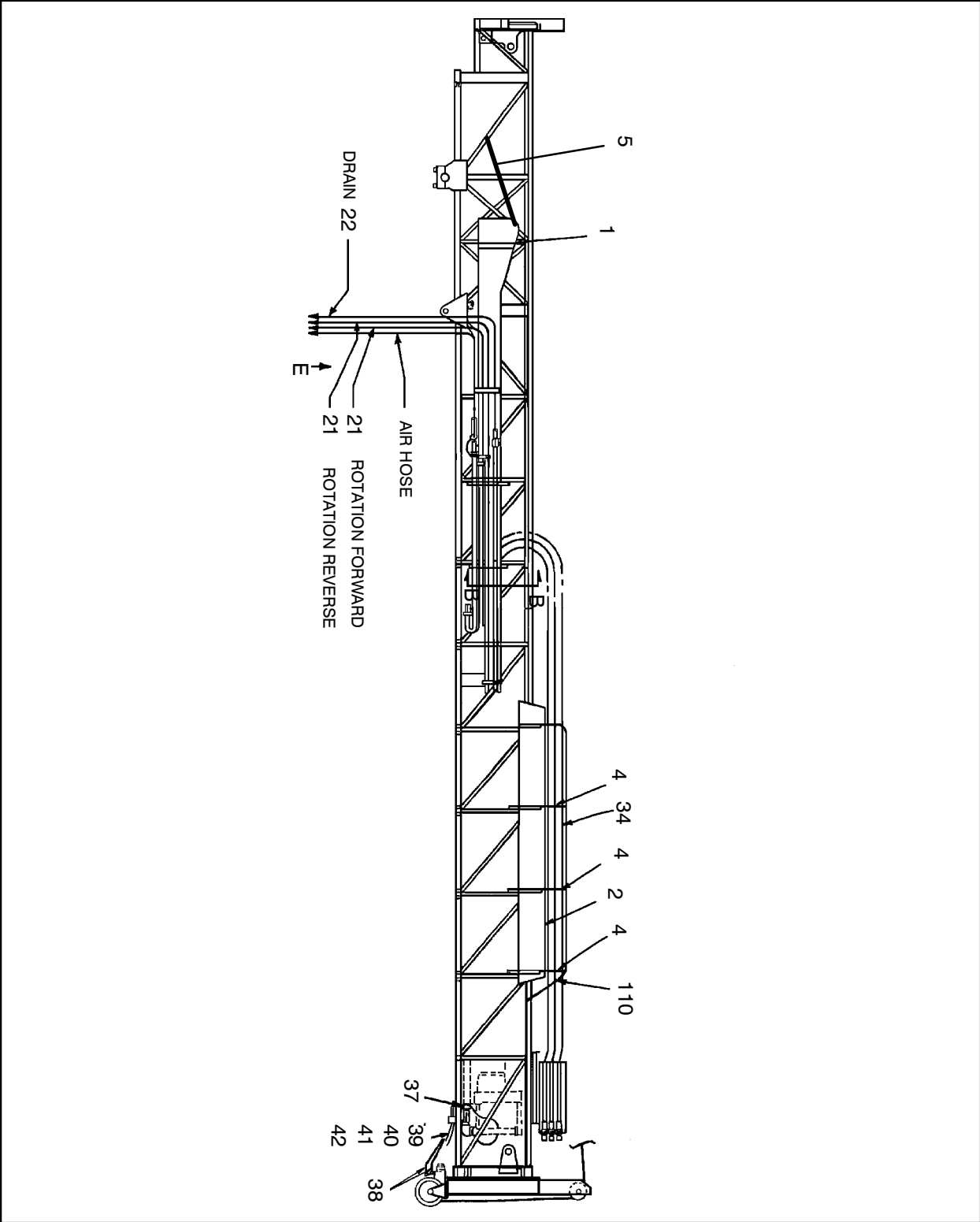
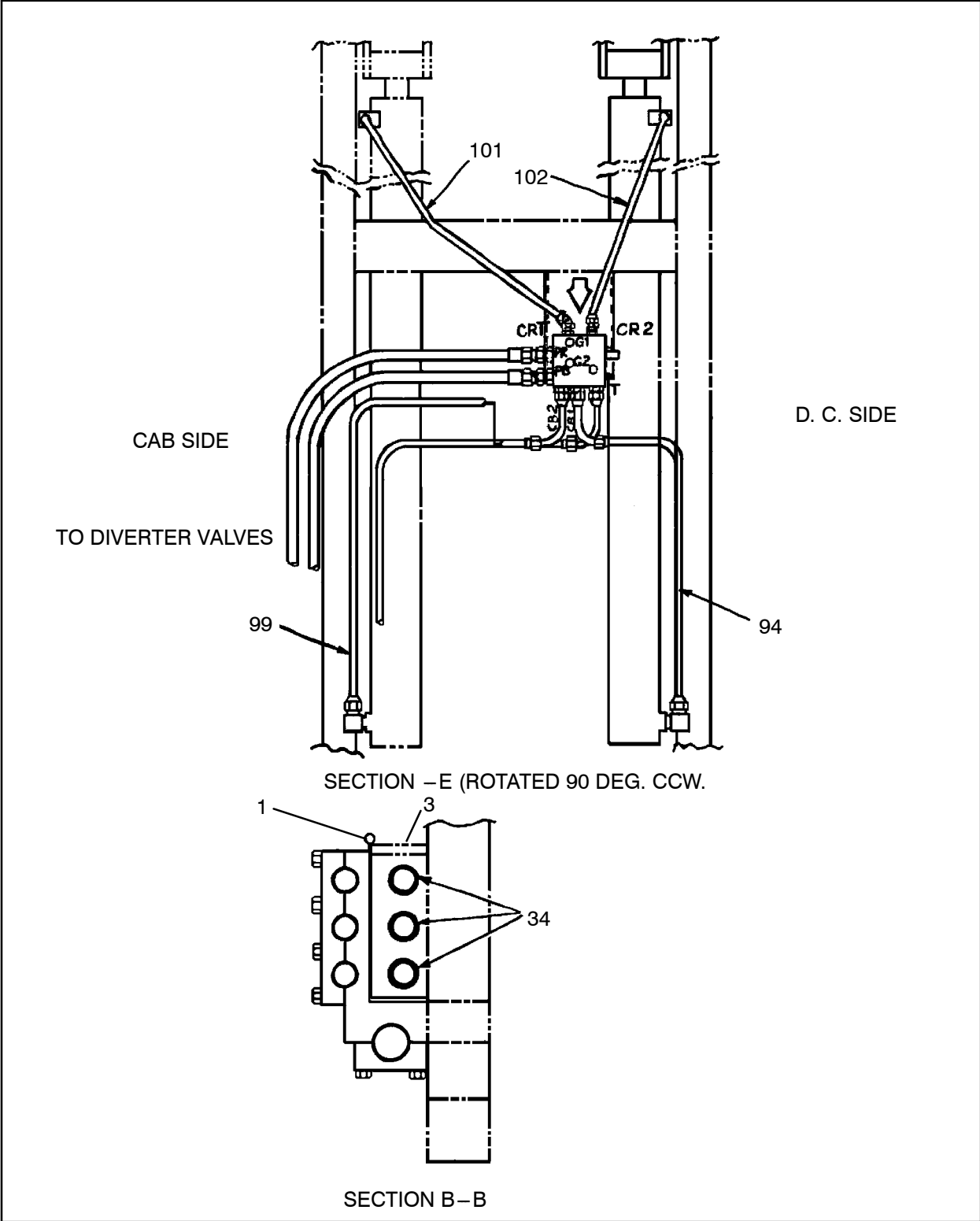


Figure 70 :PIPING, TOWERUNIQUE-30FT
E57518508 REV 002

57518508 PIPING, TOWERUNIQUE-30FT



PIPING, TOWERUNIQUE-30FT
57518508

Figure 71 :PIPING, TOWERUNIQUE-30FT
E57518508 REV 002

PIPING, TOWERUNIQUE-30FT
57518508

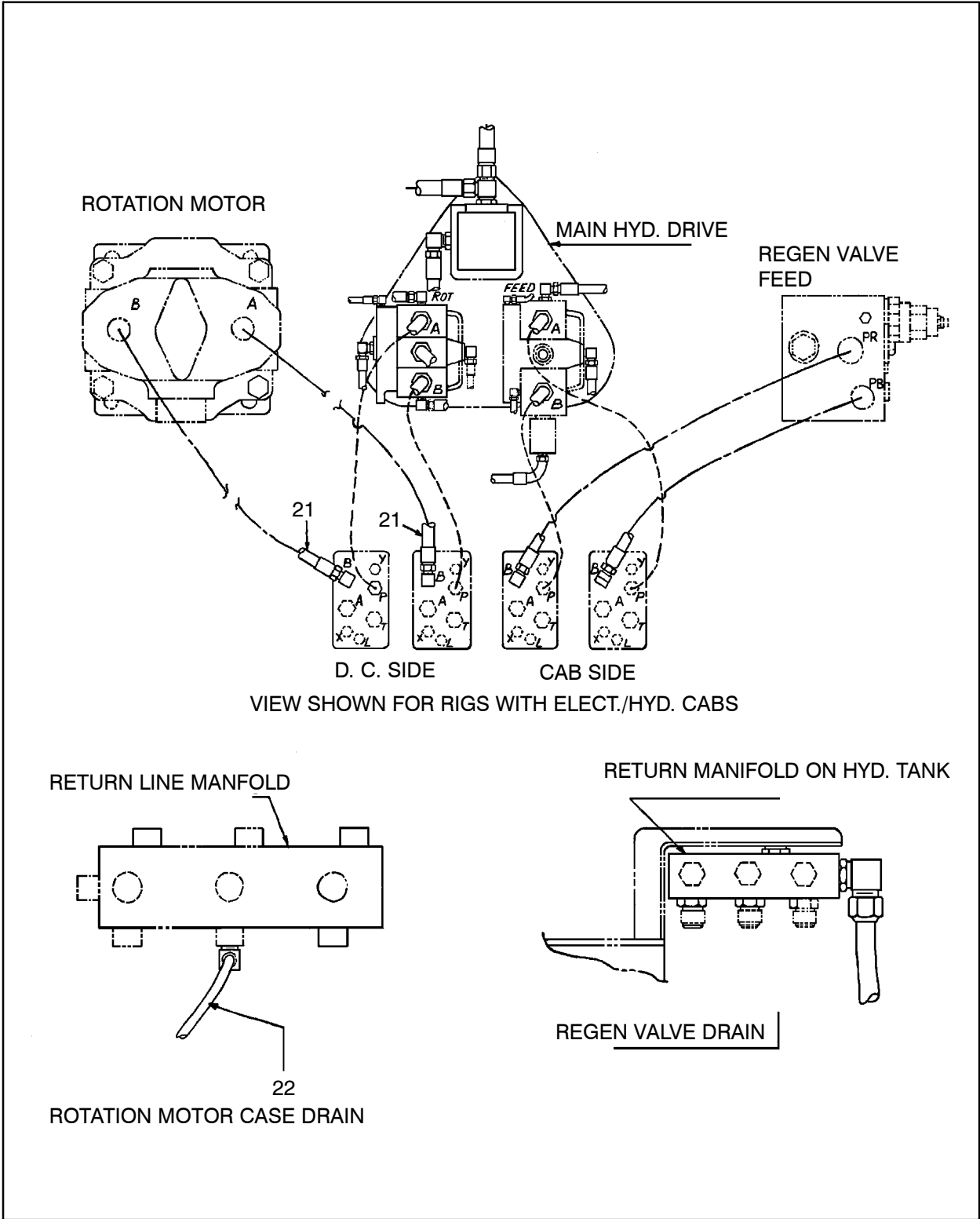


Figure 72 :PIPING, TOWERUNIQUE-30FT
E57518508 REV 002

57518508 PIPING, TOWERUNIQUE – 30FT

REF.	PART NO.	QTY.	UNIT	DESCRIPTION
001	57239030	1	EA	HOSE TRAY, LOWER
002	57142481	1	EA	HOSE TRAY, UPPER
003	57632465	1	EA	PIPE
004	57390049	3	EA	GUSSET
005	57644908	1	EA	BAR,HOSE TRAY
021	56254105	2	EA	HOSE ASSY
022	57525545	1	EA	HOSE ASSY
034	57214264	3	EA	HOSE ASSY
037	95313961	270.00	IN	HOSE,AIR – R32 BULK
038	57342677	2	EA	HOSE ASSY
039	57497794	10	EA	STUD
040	95937413	10	EA	WASHER, LOCK – 3/8 PLATED
041	95922894	10	EA	NUT, HEX – 3/8 – 16
042	50034818	20	EA	CLAMP, HALF
094	57229700	1	EA	HOSE ASSY
099	57438624	1	EA	HOSE ASSY
101	57531717	1	EA	HOSE ASSY
102	57531725	1	EA	HOSE ASSY
110	57503815	1	EA	EXTENSION,HOSE TRAY – 30FT

PIPING, TOWERUNIQUE – 30FT

57518508

57562639 ROTARY HEAD,COMMONS,NEW

ROTARY HEAD,COMMONS,NEW
57562639

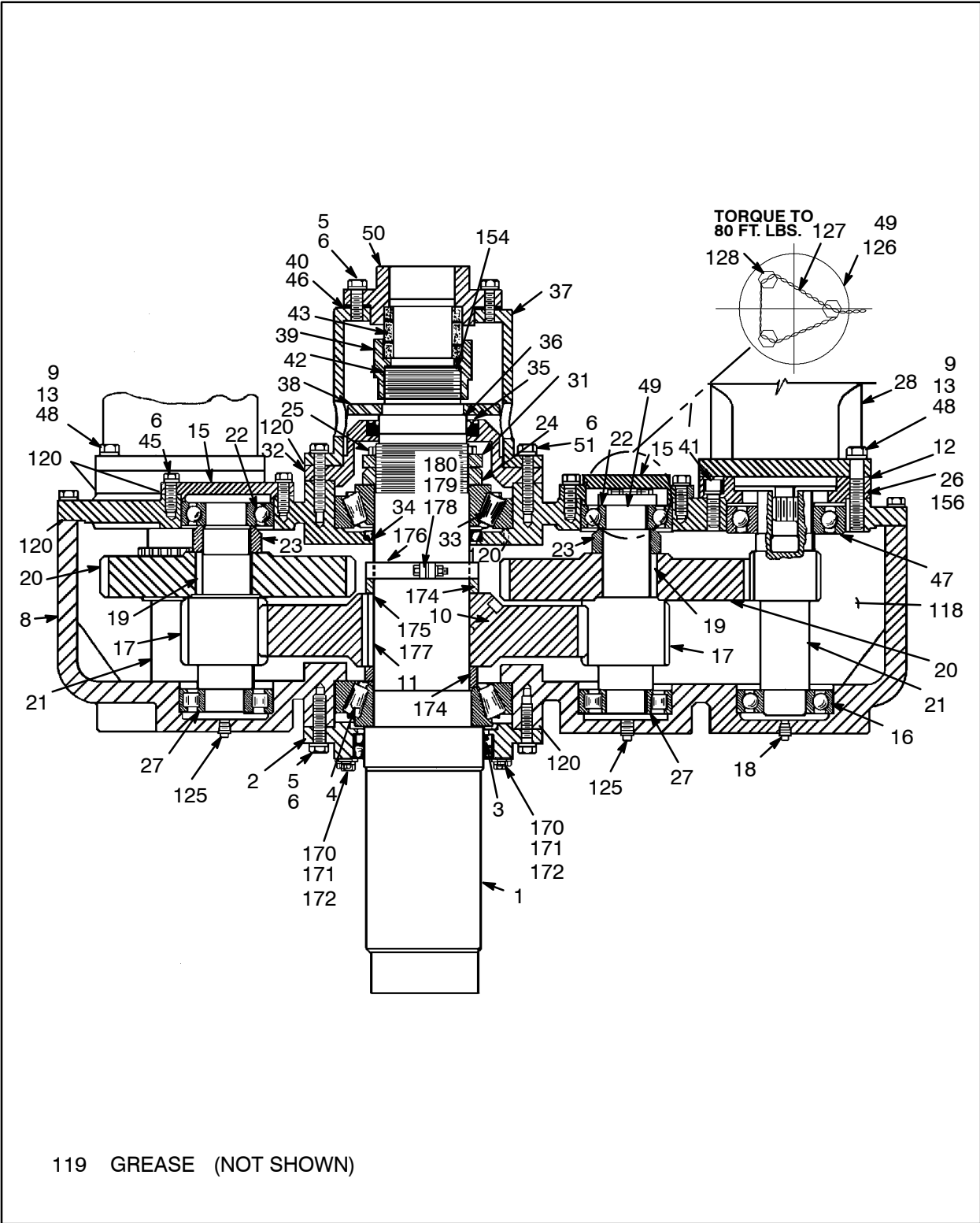
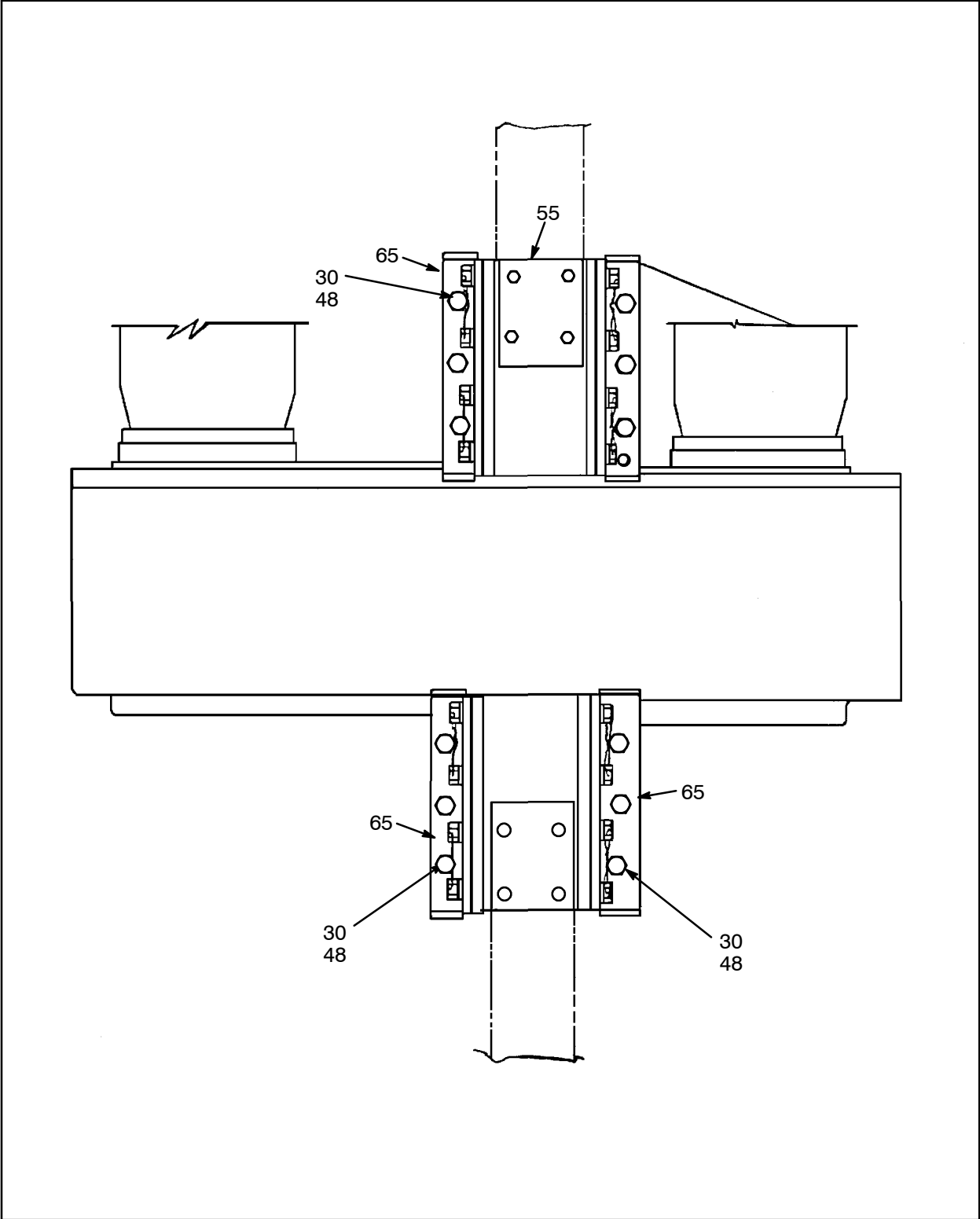


Figure 73 :ROTARY HEAD,COMMONS,NEW
E57562639 REV 001

57562639 ROTARY HEAD,COMMONS,NEW



ROTARY HEAD,COMMONS,NEW
57562639

Figure 74 :ROTARY HEAD,COMMONS,NEW
E57562639 REV 001

57562639 ROTARY HEAD,COMMONS,NEW

ROTARY HEAD,COMMONS,NEW
57562639

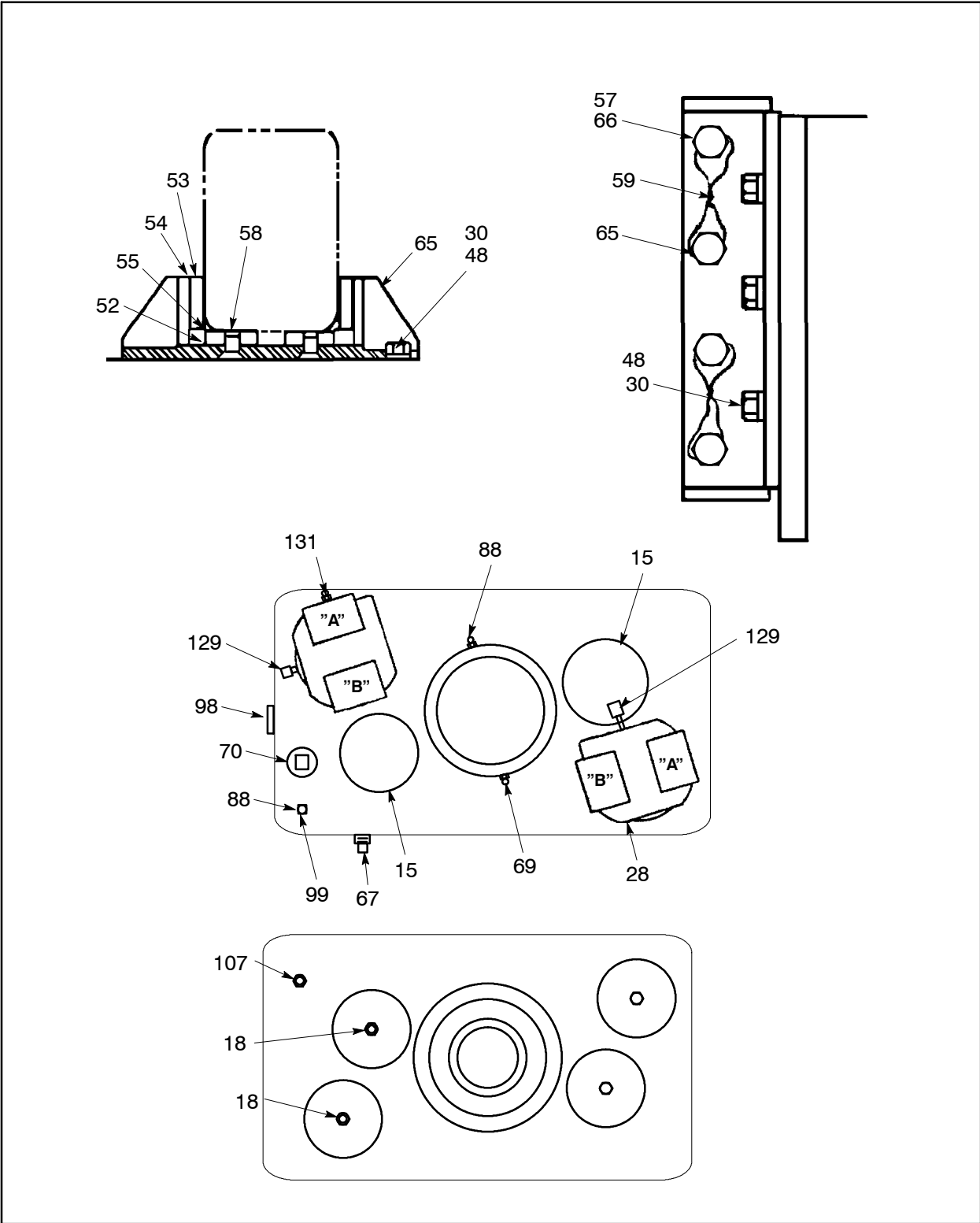
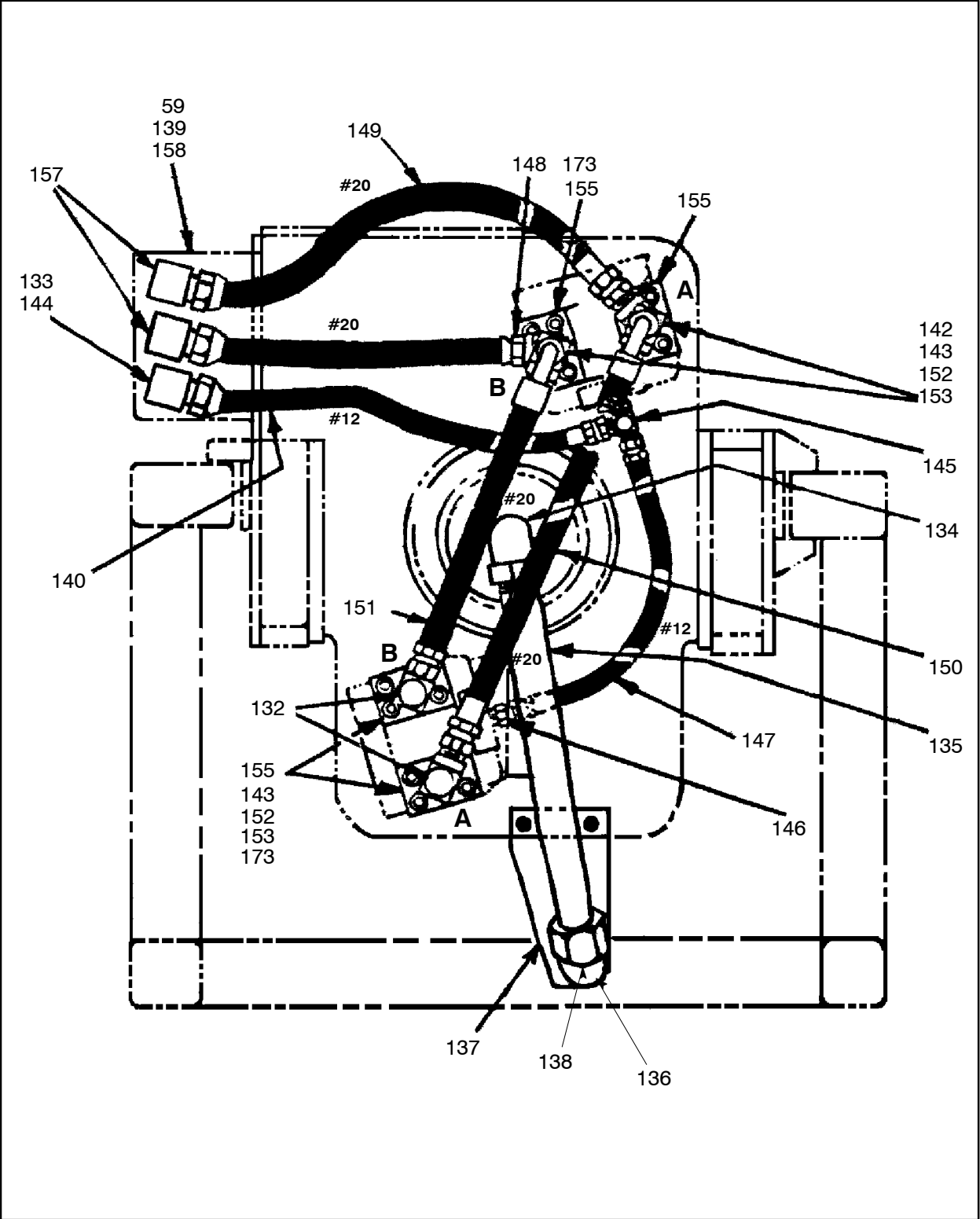


Figure 75 :ROTARY HEAD,COMMONS,NEW
E57562639 REV 001

57562639 ROTARY HEAD,COMMONS,NEW



ROTARY HEAD,COMMONS,NEW
57562639

Figure 76 :ROTARY HEAD,COMMONS,NEW
E57562639 REV 001

57562639 ROTARY HEAD,COMMONS,NEW

ROTARY HEAD,COMMONS,NEW
57562639

REF.	PART NO.	QTY.	UNIT	DESCRIPTION
001	57546343	1	EA	SPINDLE – FINAL DRIVE
002	57578023	1	EA	HOUSING, LOWER SEAL
003	52146784	2	EA	SEAL, OIL
004	95434551	1	EA	BEARING, ROLLER
005	95934451	14	EA	SCREW, CAP, HEX HEAD, PLATED
006	95934733	37	EA	WASHER, LOCK
008	57395444	1	EA	HOUSING, MACHINED – R.H. (See figure 77)
009	95930723	4	EA	CAPSCREW, HEX HEAD
010	57546301	1	EA	GEAR, OUTPUT
011	57546327	1	EA	KEY, CUSTOM
012	95086724	2	EA	O – RING
013	56951700	4	EA	TUBE
015	57191025	2	EA	CAP, BEARING
016	95214037	2	EA	BEARING
017	57191017	2	EA	SHAFT, INTERMEDIATE
018	95033585	4	EA	PLUG, PIPE – 1/8 SQ HEAD
019	57159139	2	EA	KEY, INTERMEDIATE SHAFT
020	57159113	2	EA	GEAR, INTERMEDIATE
021	57170110	2	EA	PINION, INPUT
022	95434874	2	EA	BEARING
023	57159121	2	EA	SPACER, INTERMEDIATE GEAR
024	57291304	1	EA	NUT, ADJUSTING
025	95270815	6	EA	SCREW, CAP – 5/16 – 18 X 1
026	57368052	2	EA	ADAPTER, MOTOR
027	95711156	2	EA	BEARING, SPHERICAL ROLLER
028	57209637	1	EA	MOTOR, HYDRAULIC (See figure 78)
030	95644126	24	EA	SCREW CAP
031	57291288	1	EA	WASHER, LOCK – TONGUED
032	52248150	1	EA	HOUSING, UPPER SEAL
033	95434569	1	EA	BEARING, ROLLER
034	58229915	1	EA	SEAL, OIL
035	52164282	1	EA	SEAL, OIL
036	50822097	1	EA	SLEEVE, WEAR
037	52248176	1	EA	SWIVEL
038	52187804	1	EA	SLINGER
039	57347379	1	EA	CAP, SPINDLE – SPUR HEAD
040	57371163	1	EA	SPACER, SWIVEL PACKING

57562639 ROTARY HEAD,COMMONS,NEW

REF.	PART NO.	QTY.	UNIT	DESCRIPTION
041	95055216	4	EA	SCREW, CAP-5/8-11 X 1
042	50610971	1	EA	RING, THREADED
043	50694876	1	EA	PACKING, SWIVEL
	57336067	2	EA	●- PACKING, SWIVEL-30XV
	50694934	1	EA	●- BUSHING, WEAR
045	95934659	8	EA	CAPSCREW,HEX HEAD
046	52210317	1	EA	SHIM SET
047	52209939	2	EA	BEARING
048	95934741	32	EA	WASHER,LOCK HELICAL
049	57243719	2	EA	SHIM, POWERHEAD-SPURGEAR
050	57183329	1	EA	CAP, SWIVEL
051	95104204	8	EA	SCREW, CAP
052	57149080	8	EA	SHIM
053	57386427	8	EA	GUIDE,BLOCK-LONG R.H.
054	50624709	32	EA	SHIM, GUIDE
055	57376832	4	EA	GUIDE SLIDE - R.H.
057	95064697	64	EA	WASHER, FLAT-1/2
058	95293460	16	EA	SCREW, CAP-1/2-13 X 7/8
059	50344605	12.00	FT	WIRE, LOCK
065	57143778	4	EA	GUIDE, FINISHEDPOWERHEAD
066	95157731	32	EA	SCREW, CAP-1/2 X 1.5
067	95249587	1	EA	PLUG, PIPE-3/8 SQ HEAD
069	95201547	1	EA	FITTING,LUBE
070	95249694	1	EA	PLUG, PIPE-2 SQ HEAD
088	95246724	2	EA	FITTING,RELIEF,HYD
098	52253176	1	EA	GAUGE, SIGHT
099	95040952	1	EA	ELBOW,STREET-90DEG1/8NPT
107	50137256	1	EA	PLUG, DRAIN
118	58209651	44.00	QT	OIL, GEAR
119	52180957	1.00	LB	GREASE
120	50700731	0.50	EA	COMPOUND, SILICONE
125	95323465	2	EA	PLUG HEAD
126	57191033	2	EA	PLATE, END
127	50344605	2.00	FT	WIRE, LOCK
128	95101762	6	EA	SCREW, CAP-1/2-13 X1GRD8
129	57568487	2	EA	VALVE,RELIEF (ATM)
131	57328676	1	EA	FITTING, TEST
132	57174070	2	EA	FITTING,L90,20OFS X20SAE

ROTARY HEAD,COMMONS,NEW
57562639

57562639 ROTARY HEAD,COMMONS,NEW

ROTARY HEAD,COMMONS,NEW
57562639

REF.	PART NO.	QTY.	UNIT	DESCRIPTION
133	57167934	1	EA	FITTING, L90-120FSX12SAE
134	95286910	1	EA	ELBOW
135	56974686	1	EA	HOSE ASSY
136	95279147	1	EA	FITTING, HYD
137	57559577	1	EA	BRACKET-HOSE,ROTARY HEAD
138	50023910	1	EA	STEM
139	56244684	1	EA	BRACKET,HOSE ELEC
140	57298069	1	EA	HOSE ASSY
142	57308983	2	EA	FITTING,RNT,20OFS X20SAE
143	95086567	4	EA	O-RING
144	95650149	1	EA	ADAPTER
145	57209728	1	EA	FITTING,RNT,12OFS X12SAE
146	57167942	1	EA	FITTING,STR,12OFS X12SAE
147	57396806	1	EA	HOSE ASSY
148	57406985	1	EA	HOSE ASSY
149	57406993	1	EA	HOSE ASSY
150	57396822	1	EA	HOSE ASSY
151	57406977	1	EA	HOSE ASSY
152	95013702	16	EA	SCREW, SOCK- 5/8-11 X 2
153	95209425	16	EA	WASHER, LOCK-5/8
154	95086625	1	EA	O-RING
155	57213936	4	EA	BLOCK,FLANGE
156	95097929	2	EA	O-RING
157	57174070	2	EA	FITTING,L90,20OFS X20SAE
158	95705364	6	EA	SCREW, CAP-3/4-10 X1-1/2
170	52237179	2	EA	WASHER
171	95934766	2	EA	WASHER, LOCK-1/4 PLATED
172	95208997	2	EA	SCREW, CAP-1/4-28 X 3/4
173	95666996	3	EA	FITTING, HYD
174	57546319	2	EA	SPACER, FINAL DRIVE
175	57546384	2	EA	SHIM, FINAL DRIVE
176	57546335	1	EA	COLLAR, RETAINING
177	57562829	4	EA	SHIM, FINAL DRIVE
178	95935235	2	EA	SCREW, CAP-5/16-18X1-1/2
179	95922225	6	EA	WASHER, FLAT-5/16
180	95923371	2	EA	NUT, FLEX LOCK-5/16-18

57562639 ROTARY HEAD,COMMONS,NEW

This page is intentionally blank.

ROTARY HEAD,COMMONS,NEW 57562639

57395444 HOUSING, MACHINED-R.H.

ROTARY HEAD, COMMONS, NEW
57562639

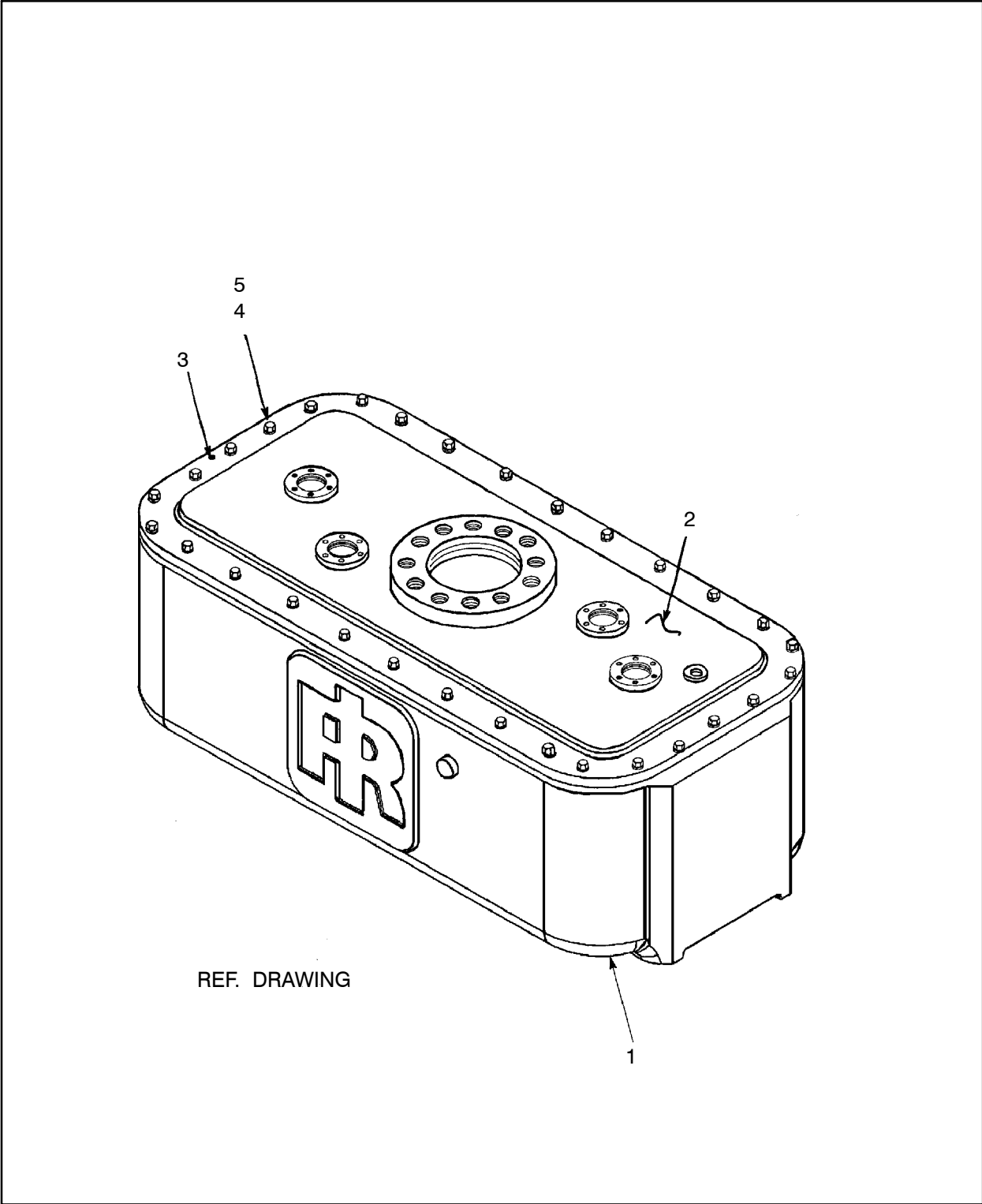


Figure 77 :HOUSING, MACHINED-R.H.
E57395444 REV 003

57395444 HOUSING, MACHINED-R.H.

REF.	PART NO.	QTY.	UNIT	DESCRIPTION
001	57395469	1	EA	HOUSING-SEMIFINISH, R.H.
002	52231008	1	EA	COVER
003	95239927	4	EA	PIN,DOWEL
004	95934451	24	EA	SCREW,CAP,HEXHEAD,PLATED
005	95934733	24	EA	WASHER,LOCK

ROTARY HEAD, COMMONS, NEW
57562639

57209637

MOTOR, HYDRAULIC

ROTARY HEAD, COMMONS, NEW

57562639

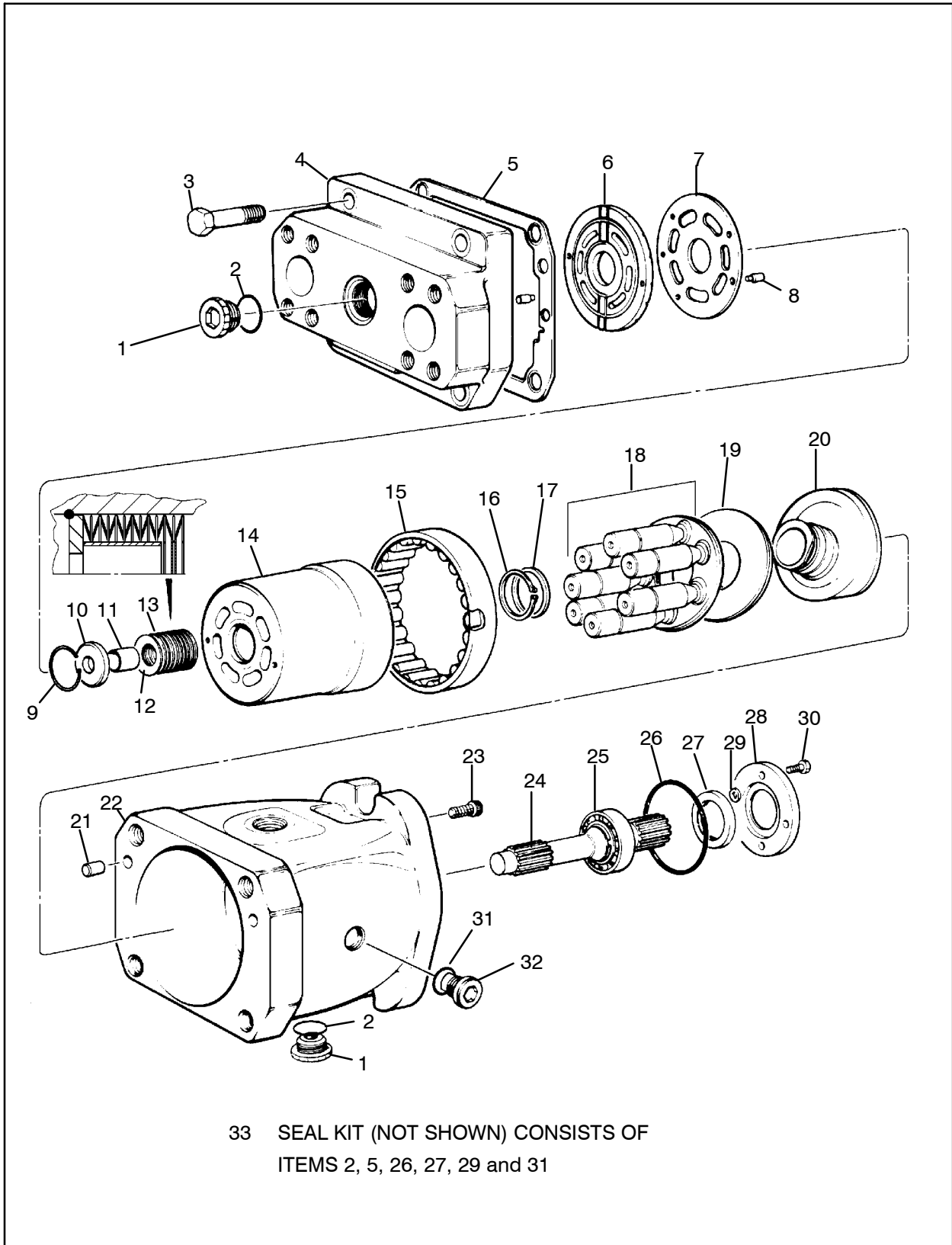


Figure 78 :MOTOR, HYDRAULIC
B57209637 REV 000

57209637 MOTOR, HYDRAULIC

ITEM 16 (RETAINING RING) IS ONE OF THE FOLLOWING LIST:

- 52155140 – .083" (2.11mm), YELLOW
- 52155157 – .081" (2.03mm), GREEN
- 52155165 – .079" (2.01mm), RED
- 52204872 – .087" (2.18mm), WHITE
- 52204864 – .085" (2.13mm), BLUE
- 54408299 – .077" (1.96mm), BLACK
- 54472469 – .075" (1.90mm), ORANGE

SECURE THE PISTON AND SHOE ASSEMBLY BY INSTALLING THE THICKEST OF THE RETAINING RINGS THAT WILL FIT IN THE GROOVE ON THE CAM CENTER POST. CHECK CLEARANCE BETWEEN SHOE FACES AND CREEP PLATE WITH A FEELER GAUGE. GRASP ONE PISTON AND LIFT TIGHTLY AGAINST THE SHOE RETAINER TO OBTAIN CLEARANCE. GAP SHOULD BE BETWEEN .002"(.051mm) AND .004"(.102mm). ASSEMBLY MUST BE FREE TO ROTATE BY HAND WITH APPROXIMATE FORCE OF 5 FT. LBS.(6.8 Nm).

ROTARY HEAD, COMMONS, NEW
57562639

**Figure 79 :MOTOR, HYDRAULIC
B57209637 REV 000**

57209637 MOTOR, HYDRAULIC

ROTARY HEAD, COMMONS, NEW
57562639

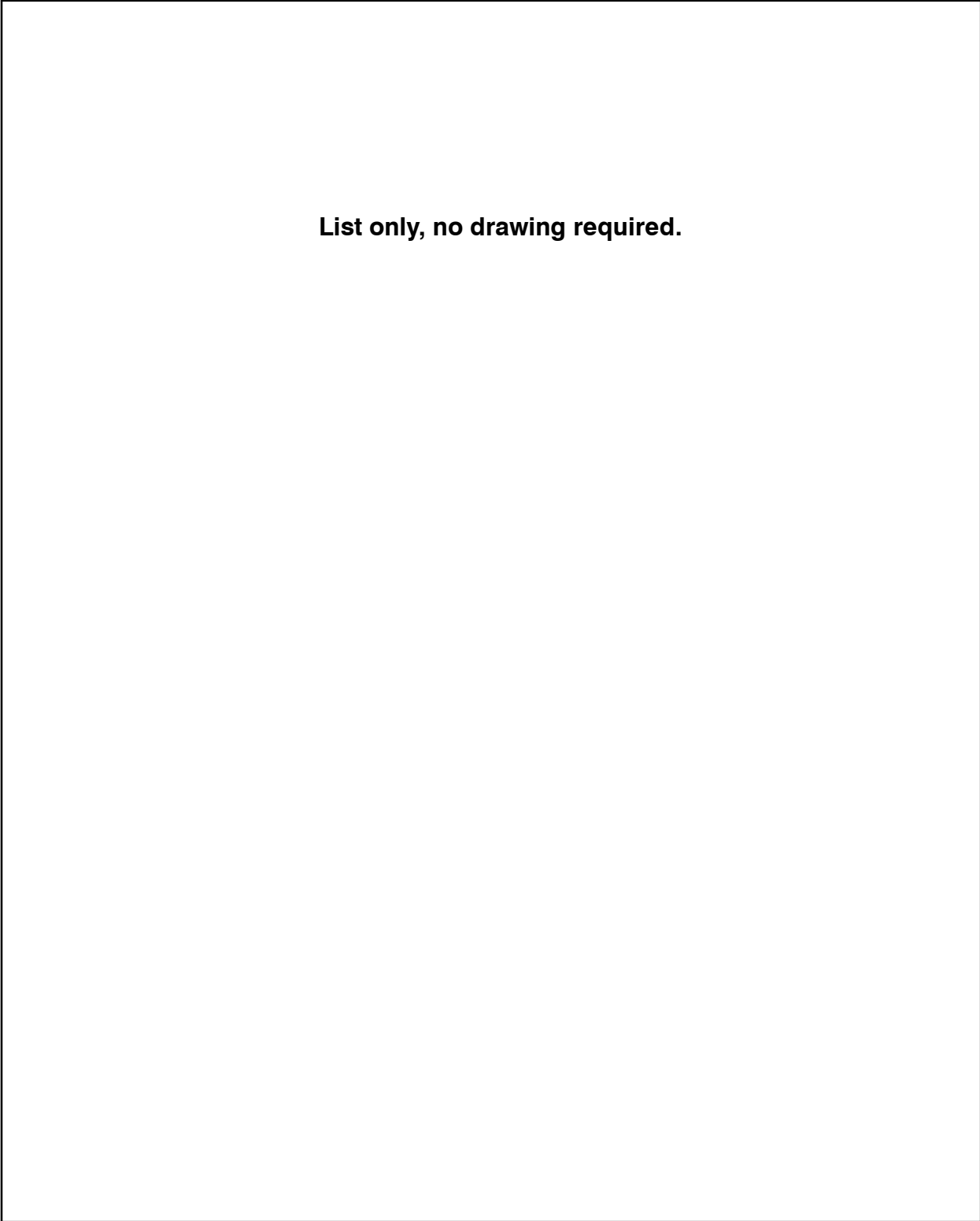
REF.	PART NO.	QTY.	UNIT	DESCRIPTION
001	54408059	2	EA	PLUG
002	52154994	2	EA	O-RING
003	52215613	4	EA	SCREW
004	54471321	1	EA	PORT BLOCK, W/O SHUTTLE
005	54471768	1	EA	GASKET
006	57181372	1	EA	PLATE, PORT
007	52201712	1	EA	FACEPLATE, BARREL-13/32
008	50817089	5	EA	PINS
009	52155843	1	EA	RING, RETAINING
010	57514903	1	EA	SPRING, RETAINER
011	54471792	1	EA	STOP, BARREL
012	57300816	12	EA	DISC SPRING
013	57300824	12	EA	THRUST WASHER
014	52201696	1	EA	BARREL/SLEEVE
015	52155041	1	EA	BEARING
016	54472170	1	EA	KIT, RETAINING RING
017	52204856	1	EA	WASHER, THRUST
018	54413646	1	EA	RETAINER PISTON & SHOE
019	52203668	1	EA	PLATE, CREEP
020	57305930	1	EA	CAM-MOTOR
021	54472105	2	EA	PIN, DOWELL
022	54472113	1	EA	HOUSING
023	54472121	1	EA	SCREW, SOCKET HD CAP
024	57240806	1	EA	SHAFT
025	57117772	1	EA	BEARING, MOTOR SHAFT
026	57300329	1	EA	O-RING
027	57117780	1	EA	SEAL, SHAFT
028	57164592	1	EA	RETAINER, SEAL
029	52215696	4	EA	O-RING
030	54472139	4	EA	SCREW, HEX HD CAP
031	57416950	1	EA	O RING
032	57416943	1	EA	RETAINER
033	54472147	1	EA	KIT, SEAL M6F

(See figure 80)

This page is intentionally blank.

54472170 KIT,RETAINING RING

ROTARY HEAD, COMMONS, NEW 57562639



**Figure 80 :KIT,RETAINING RING
B57117764 REV 003**

54472170 KIT,RETAINING RING

REF.	PART NO.	QTY.	UNIT	DESCRIPTION
001	52155140	1	EA	RING,RETAINING
002	52155157	1	EA	RING,RETAINING
003	52155165	1	EA	RING,RETAINING
004	52204872	1	EA	RING,RETAINING
005	52204864	1	EA	RING,RETAINING
006	54408299	1	EA	RING,RETAINING
007	54472469	1	EA	RING,RETAINING

ROTARY HEAD, COMMONS, NEW
57562639

57519878 ROTARY HEAD-HI SPEED

ROTARY HEAD-HI SPEED
57519878

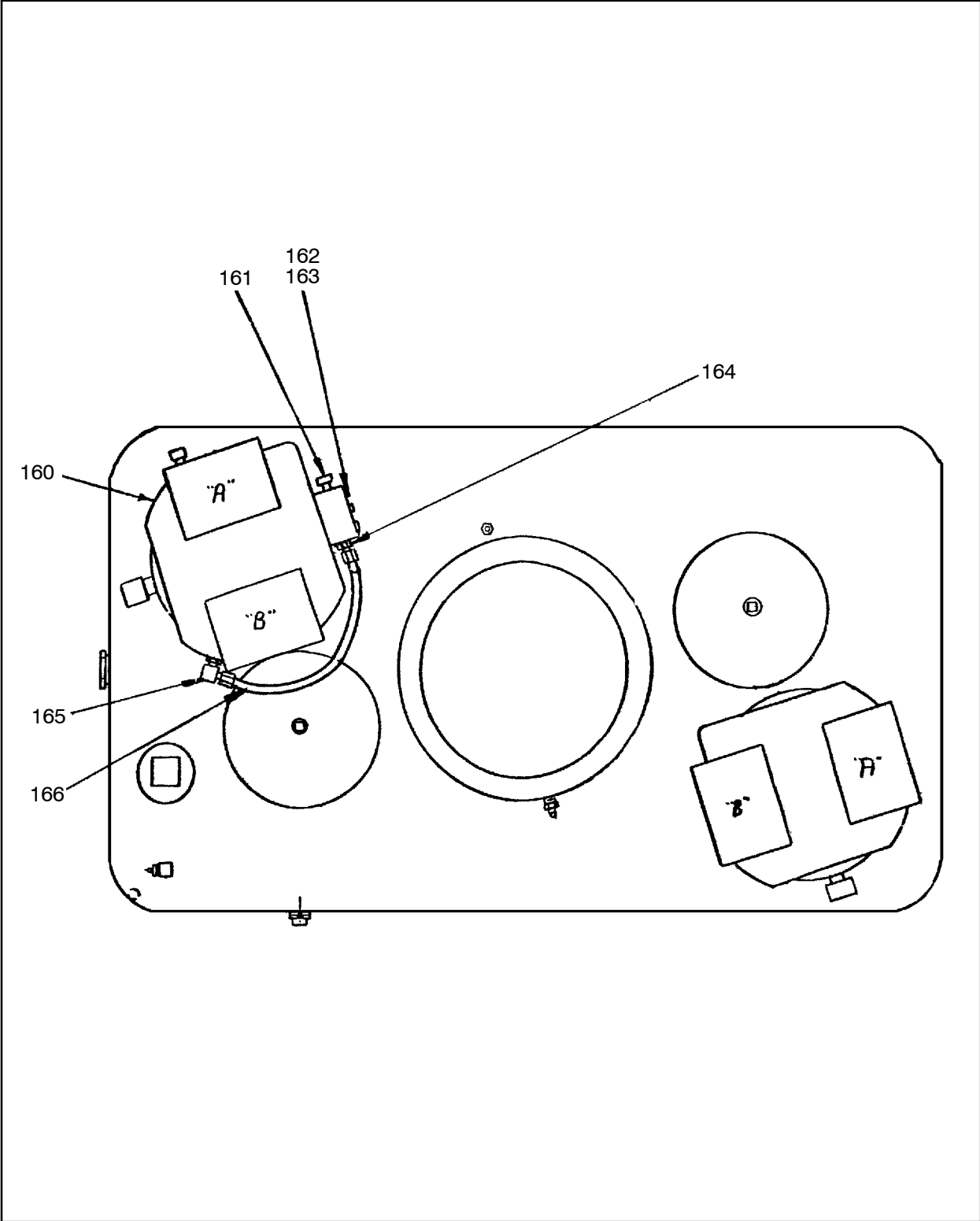


Figure 81 :ROTARY HEAD-HI SPEED
C57519878 REV 001

57519878 ROTARY HEAD – HI SPEED

REF.	PART NO.	QTY.	UNIT	DESCRIPTION
160	57110157	1	EA	MOTOR, HYDRAULIC
161	57167298	1	EA	VALVE, MOTOR CONTROL
	56263247	1	EA	● - VALVE, SHUTTLE
	59476705	1	EA	● - SEAL KIT
	56263239	1	EA	● - VALVE, REDUCING/RELIEVING
	95018065	3	EA	● - O-RING
162	95958948	3	EA	SCREW, CAP – 5/16 – 18 X 3
163	95934303	3	EA	WASHER, LOCK – 5/16 PLATED
164	57319618	1	EA	FITTING, STR, 06OFS X06SAE
165	57308686	1	EA	FITTING, L90, 06OFS X08SAE
166	57342891	1	EA	HOSE ASSY

ROTARY HEAD – HI SPEED
57519878

57445660 ROD CATCHER ASSY

ROD CATCHER ASSY
57445660

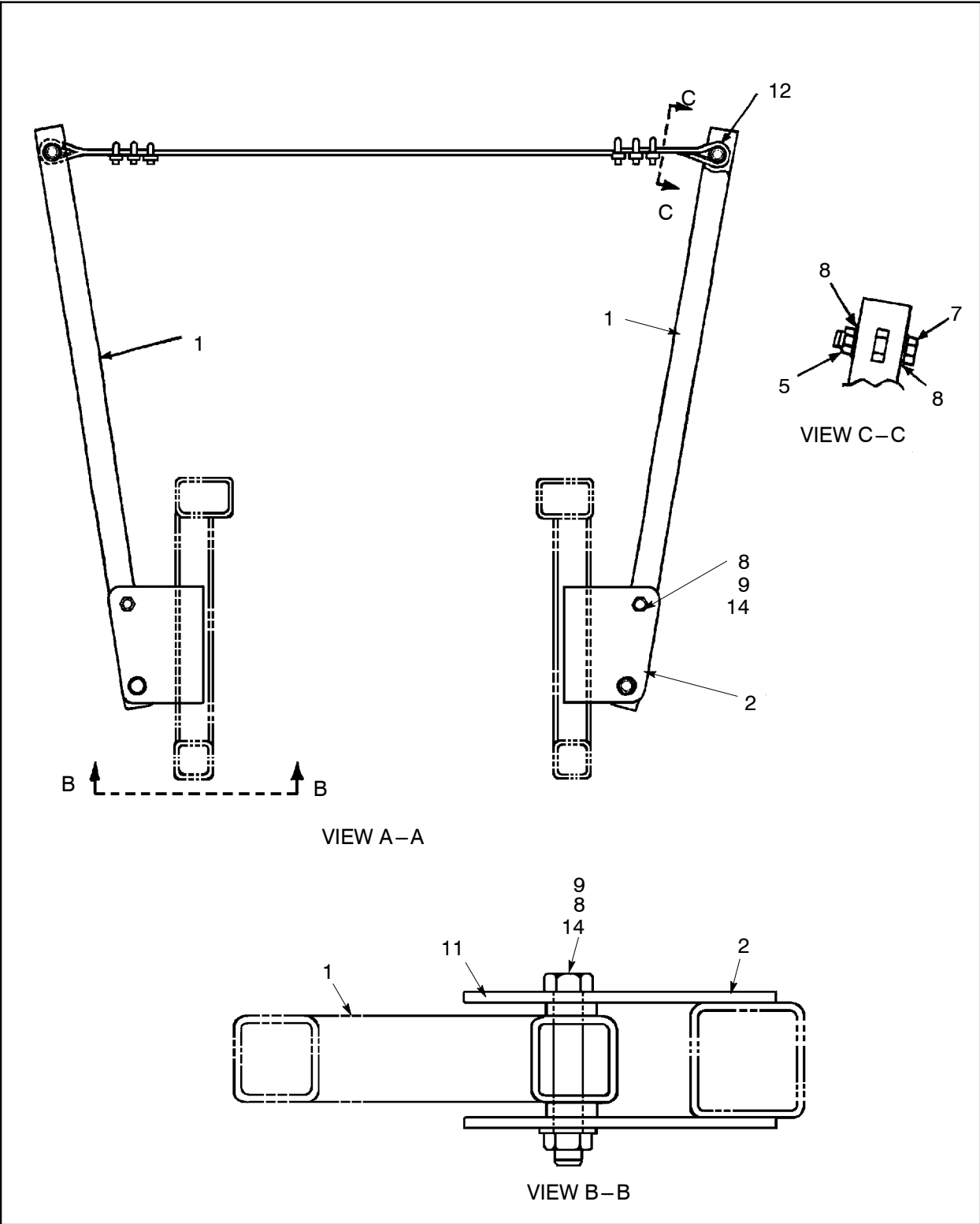


Figure 82 :ROD CATCHER ASSY
D57445660 REV 004

57445660 ROD CATCHER ASSY

REF.	PART NO.	QTY.	UNIT	DESCRIPTION
001	57445678	2	EA	TUBING, ROD CATCHER
002	57445702	4	EA	PLATE, MOUNT
005	95077244	2	EA	NUT,HEX STOP-1 -8
007	54570353	2	EA	CAPSCREW,HEXHEAD
008	95081642	4	EA	WASHER, FLAT-1
009	95077244	4	EA	NUT,HEX STOP-1 -8
011	57188963	8	EA	SPACER,.5X1.75ODX1.06ID
012	57403586	1	EA	CABLE ASSEMBLY
	57047060	1	EA	●- ROPE, WIRE
	56804750	6	EA	●- CLAMP, CABLE
	50000553	2	EA	●- THIMBLE, WIRE
014	95651253	4	EA	SCREW,CAP

ROD CATCHER ASSY

57445660

57594657

ROD CHANGER ASM,30'STD

ROD CHANGER ASM,30'STD
57594657

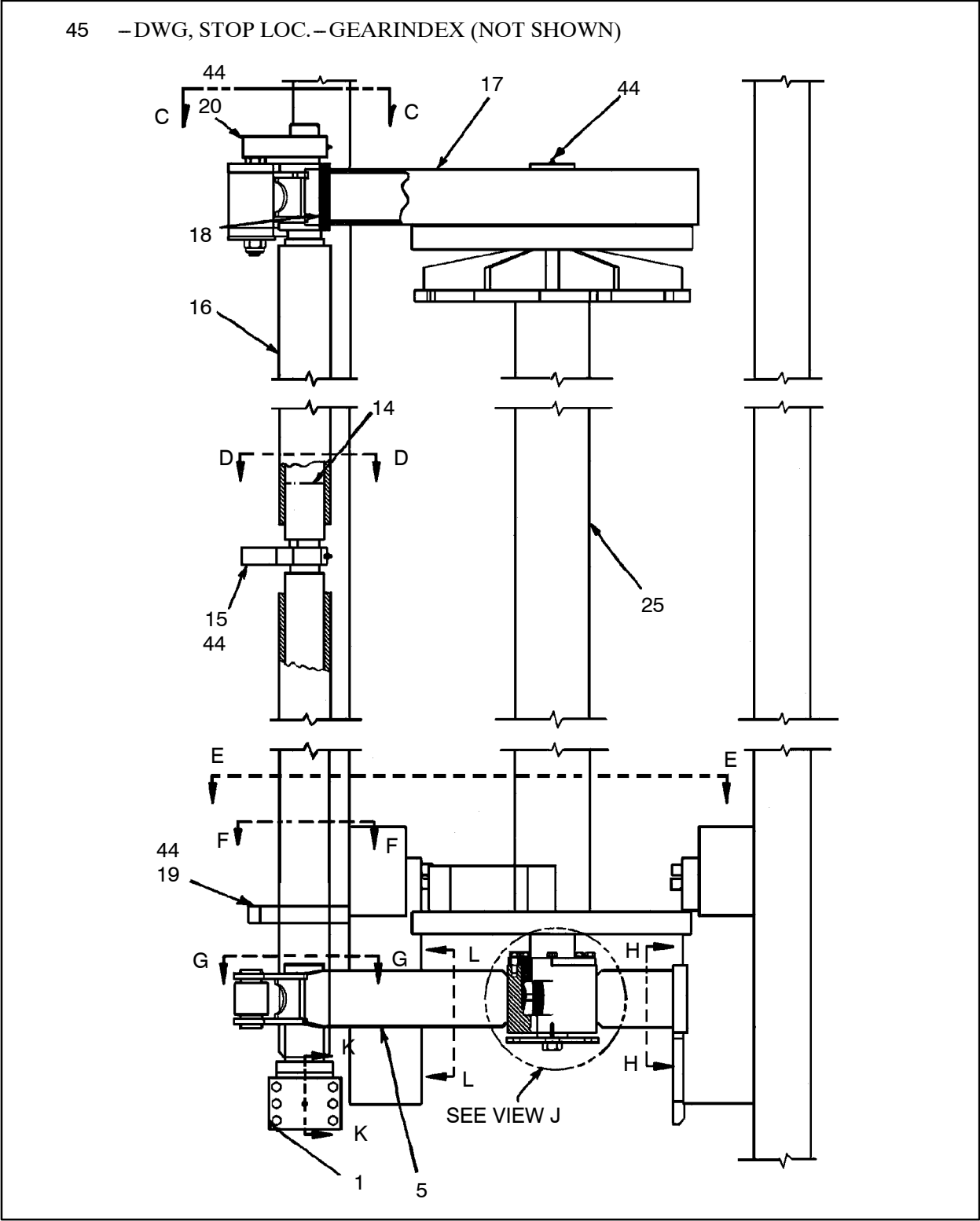
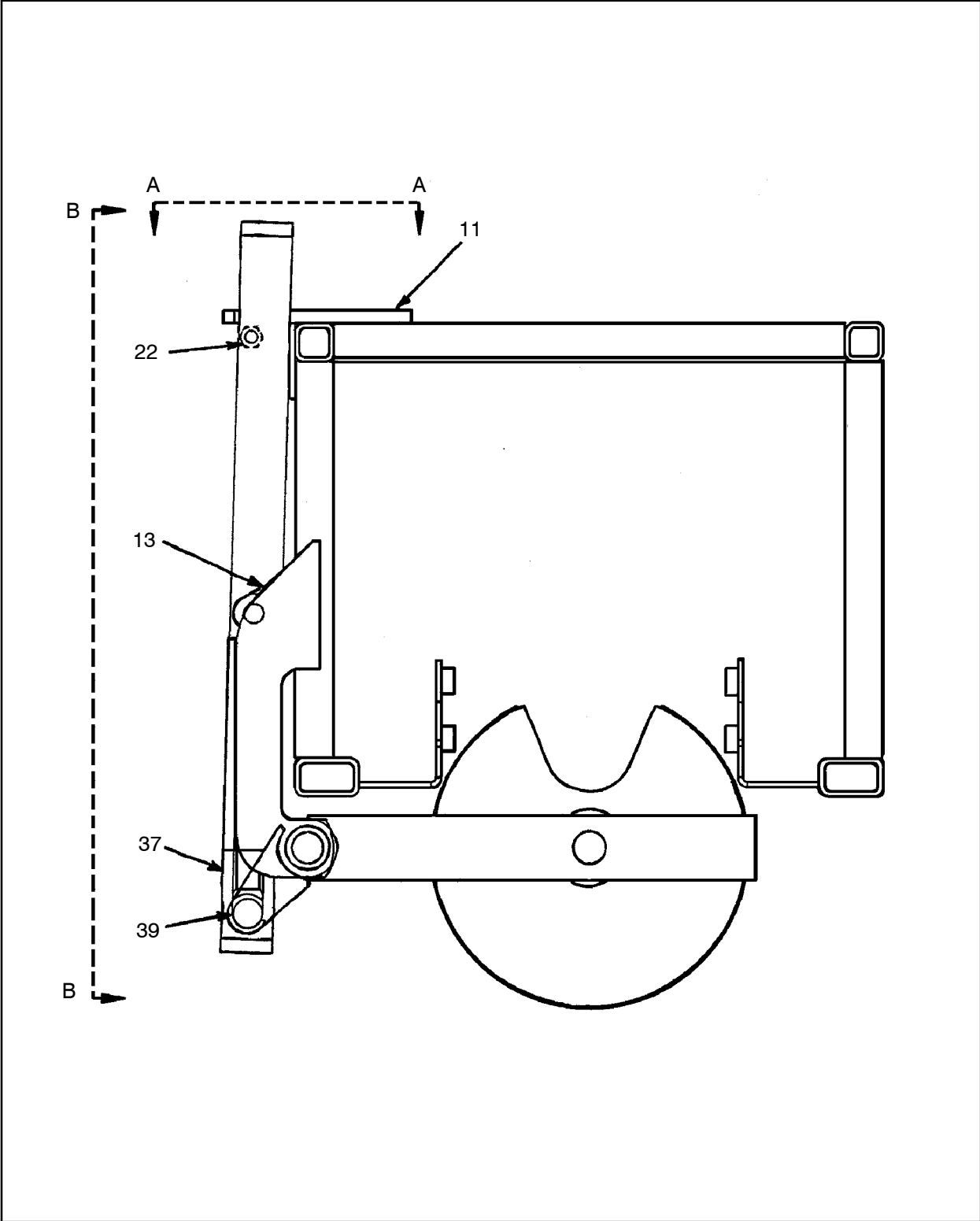


Figure 83 :ROD CHANGER ASM,30'STD
D57594657 REV 002

57594657 ROD CHANGER ASM,30'STD



ROD CHANGER ASM,30'STD
57594657

Figure 84 :ROD CHANGER ASM,30'STD
D57594657 REV 002

57594657 ROD CHANGER ASM,30'STD

ROD CHANGER ASM,30'STD
57594657

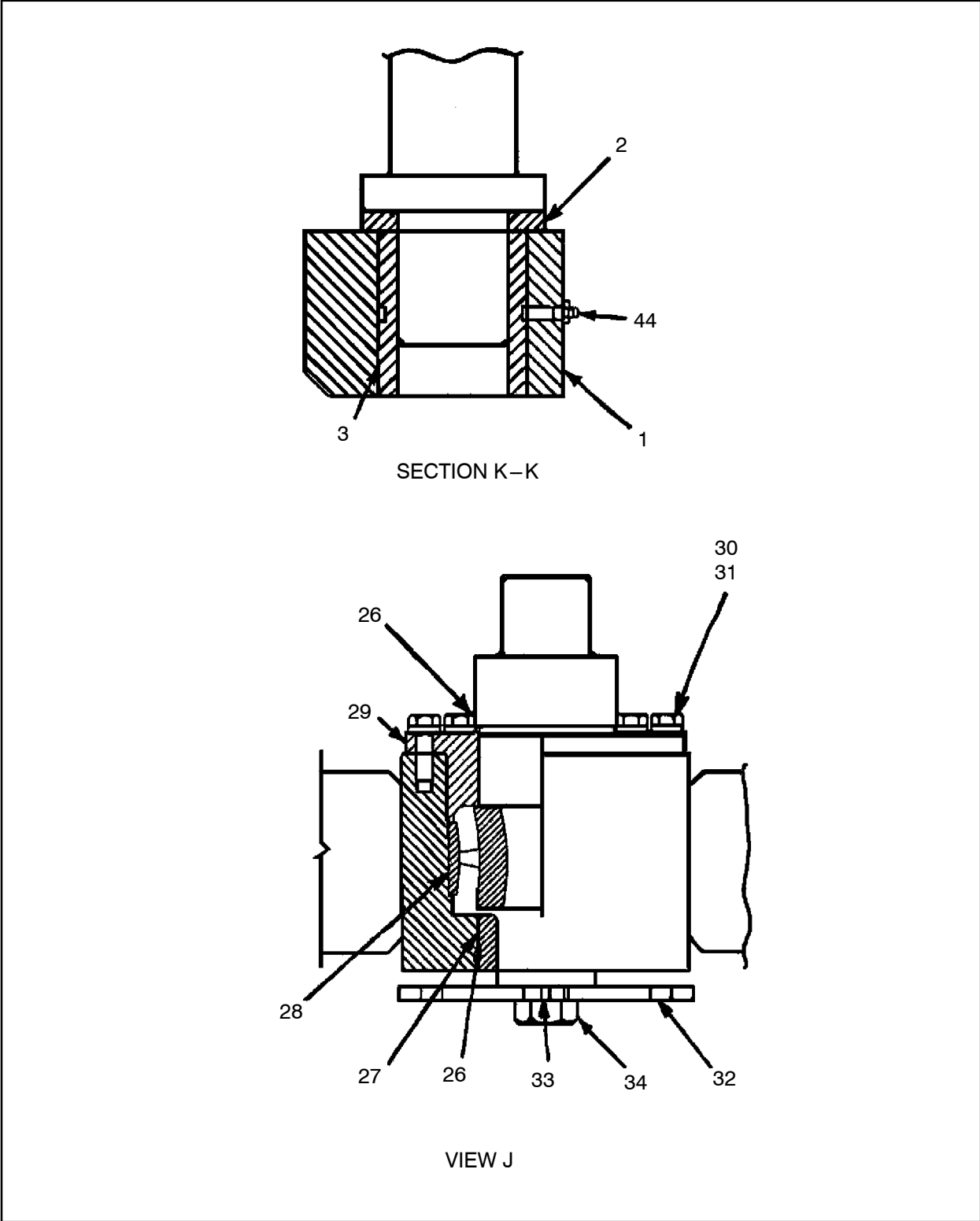
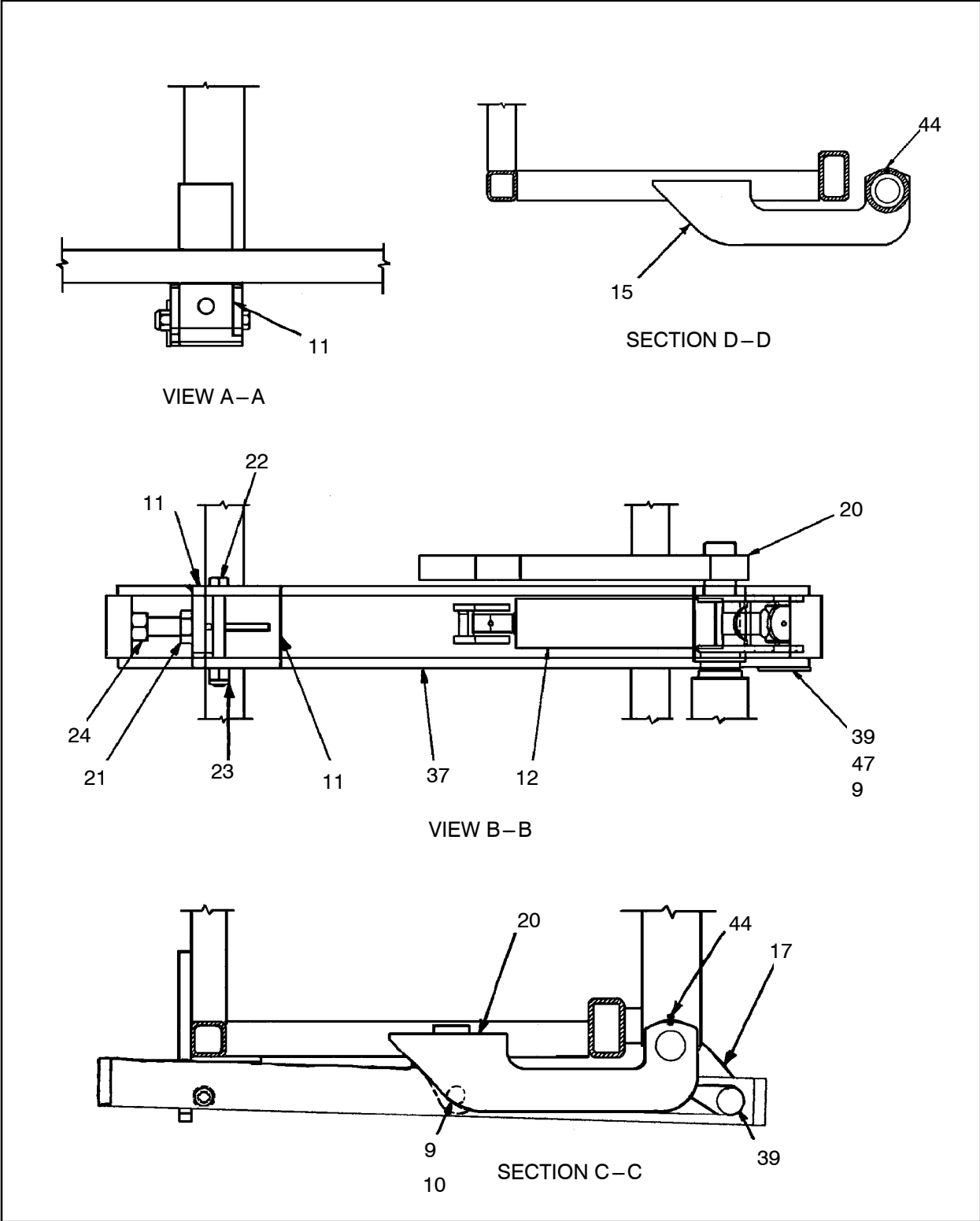


Figure 85 :ROD CHANGER ASM,30'STD
D57594657 REV 002

57594657 ROD CHANGER ASM,30'STD



ROD CHANGER ASM,30'STD
57594657

Figure 86 :ROD CHANGER ASM,30'STD
D57594657 REV 002

57594657 ROD CHANGER ASM,30'STD

ROD CHANGER ASM,30'STD
57594657

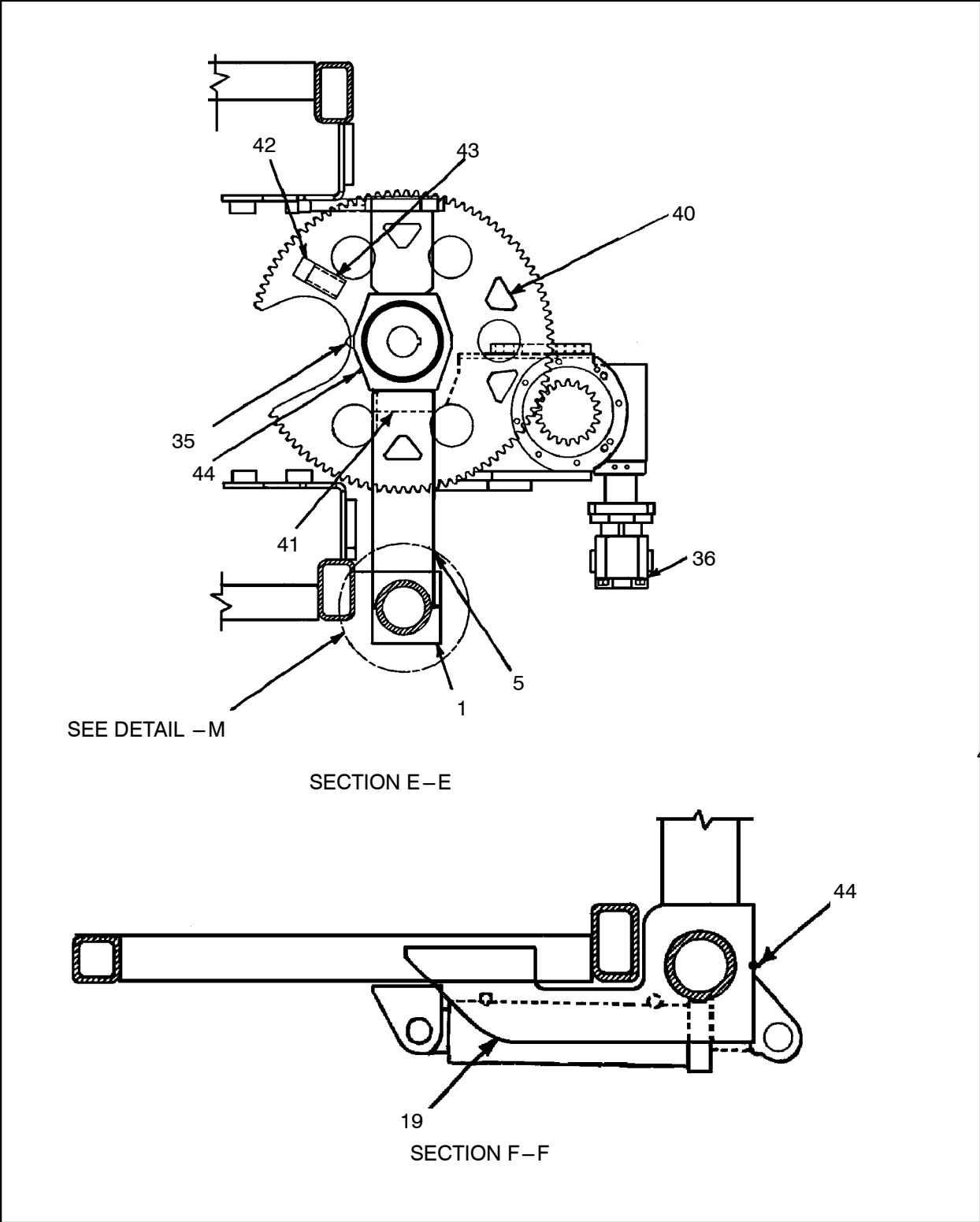
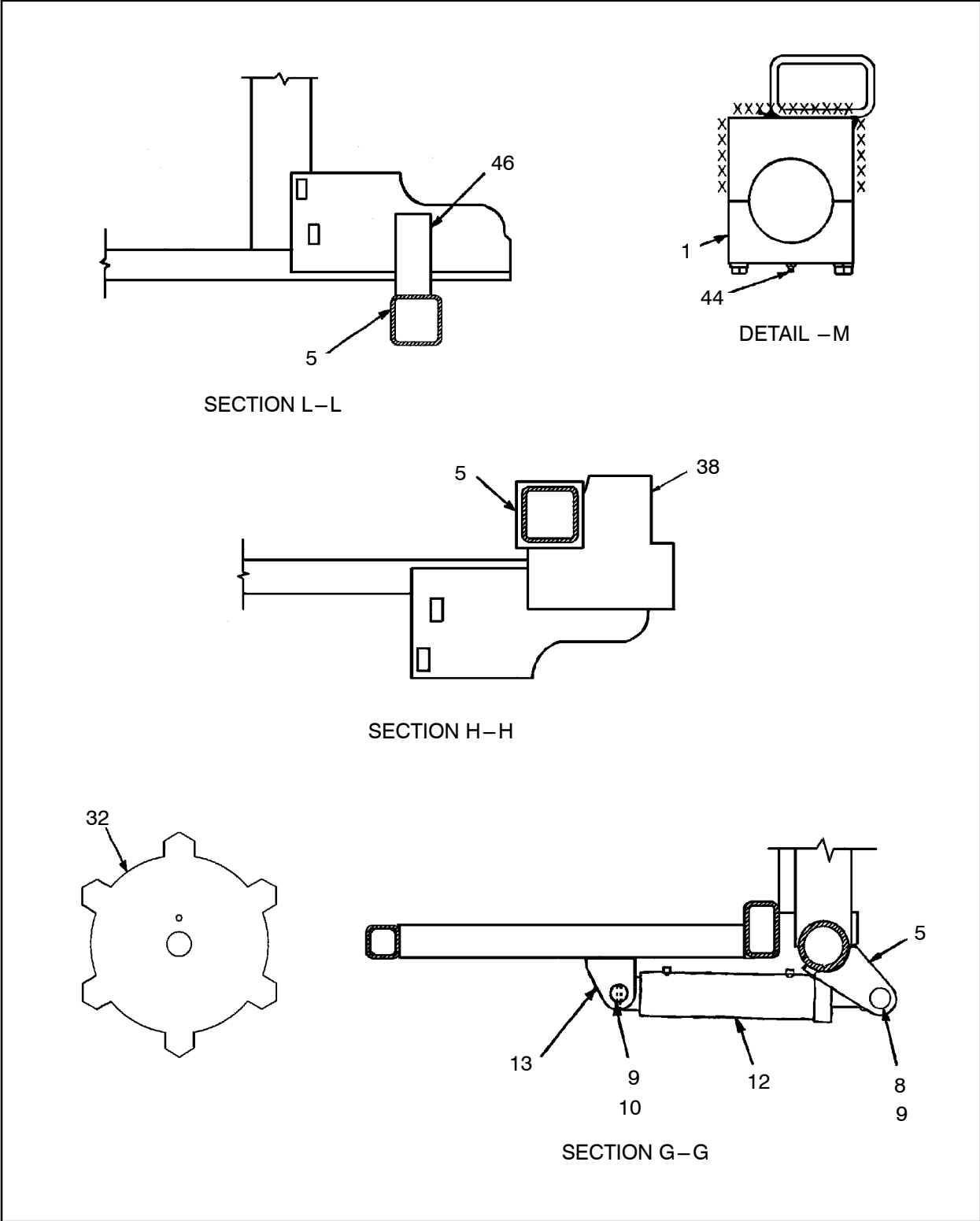


Figure 87 :ROD CHANGER ASM,30'STD
D57594657 REV 002

57594657 ROD CHANGER ASM,30'STD



ROD CHANGER ASM,30'STD
57594657

Figure 88 :ROD CHANGER ASM,30'STD
D57594657 REV 002

57594657 ROD CHANGER ASM,30'STD

ROD CHANGER ASM,30'STD
57594657

REF.	PART NO.	QTY.	UNIT	DESCRIPTION
001	57594525	1	EA	BLOCK,PIVOT,SPLIT/RC
	95934733	6	EA	● - WASHER,LOCK
	95919676	6	EA	● - CAPSCREW/35A2A233Z1HR
002	57267577	1	EA	WASHER
003	57267304	1	EA	BUSHING
005	57594566	1	EA	ARM,LOWER,ASSEMBLY
	57594541	1	EA	● - SHAFT,ROD CHANGER,LOWER
	57550006	1	EA	● - CLEVIS ASSEMBLY
	57594533	1	EA	● - ARM,LOWER,FABRICATION
008	57406068	1	EA	PIN-CYLINDER, RODCHANGER
009	95210852	4	EA	PIN, COTTER
010	57268112	2	EA	PIN,CYLINDER
011	57550014	1	EA	CAP ASSY
012	57199093	2	EA	CYLINDER, HYDRAULIC (See figure 89)
013	57406050	2	EA	BRACKET,SWING CYLINDER
014	57405979	1	EA	SUPPORT,SHAFT-MIDDLE
015	57405961	1	EA	SUPPORT MIDDLE-ROD CHNG
	95309829	2	EA	● - CAPSCREW,FLANGED 12 PT
	95238150	2	EA	● - WASHER,LOCK,HELICAL
016	57422628	1	EA	SHAFT, PIPE ASSY
	57037350	1	EA	● - SHAFT
	57422610	1	EA	● - TUBE.RND.4.5ODX3.5IDX166
017	57552044	1	EA	ASSEMBLY, UPPER ARM
	50333699	1	EA	● - COVER
	57552077	1	EA	● - ARM, UPPER
	57550006	1	EA	● - CLEVIS ASSEMBLY
	50691609	3	EA	● - SUPPORT
018	95308573	1	EA	KEY,SQUARE
019	57405953	1	EA	SUPPORT LOWER-ROD CHNGR
	95104741	2	EA	● - SCREW, CAP-3/4-10 X 5
	95934691	2	EA	● - WASHER,LOCK,HELICAL
020	57405946	1	EA	SUPPORT UPPER-ROD CHNGR
	57406019	1	EA	● - CAP REPLACEMENT
	95309829	4	EA	● - CAPSCREW,FLANGED 12 PT
	95238150	4	EA	● - WASHER,LOCK,HELICAL
021	96994471	1	EA	BOLT,HEX HEAD
022	95403036	1	EA	SCREW, CAP-1-8 X 8

57594657 ROD CHANGER ASM,30'STD

REF.	PART NO.	QTY.	UNIT	DESCRIPTION
023	95077244	1	EA	NUT,HEX STOP-1 -8
024	95929774	1	EA	NUT,HEX
025	57228470	1	EA	HOLDER ASSY,5 ROD-30' (See figure 90)
026	95018271	2	EA	O-RING
027	50248426	1	EA	SPACER
028	50243518	1	EA	BEARING ASSY
029	50248368	1	EA	RETAINER, BEARING
030	95920708	8	EA	CAPSCREW,HEX HEAD,PLATED
031	95934733	8	EA	WASHER,LOCK
032	57339905	1	EA	INDICATOR,CARROUSEL-5ROD
033	95213310	1	EA	PIN,ROLL
034	95943726	1	EA	CAP SCREW - 1 NCX2NYLOCK
035	57342719	1	EA	POINTER
036	57572984	1	EA	MOTOR & GEAR REDUCER ASM (See figure 91)
037	57550022	1	EA	LINK ASSY
038	57550030	1	EA	STOP,LOWER CAROUSEL
039	57550055	1	EA	PIN,CYLINDER MOUNT
040	57212474	4	EA	STOP BLOCK, PIPE CUP
041	57209306	1	EA	STOP BLOCK, BULL GEAR
042	57209314	1	EA	STOP BLOCK, BULL GEAR
043	57106536	1	EA	BAR,FLAT
044	95201547	11	EA	FITTING,LUBE
045	57368102	1	EA	DWG, STOP LOC.-GEARINDEX
046	57412439	1	EA	BAR FLAT, 1X3.50X8.00
047	95429221	1	EA	WASHER, FLAT-1-7/8

ROD CHANGER ASM,30'STD
57594657

57199093 CYLINDER, HYDRAULIC

ROD CHANGER ASM,30°STD
57594657

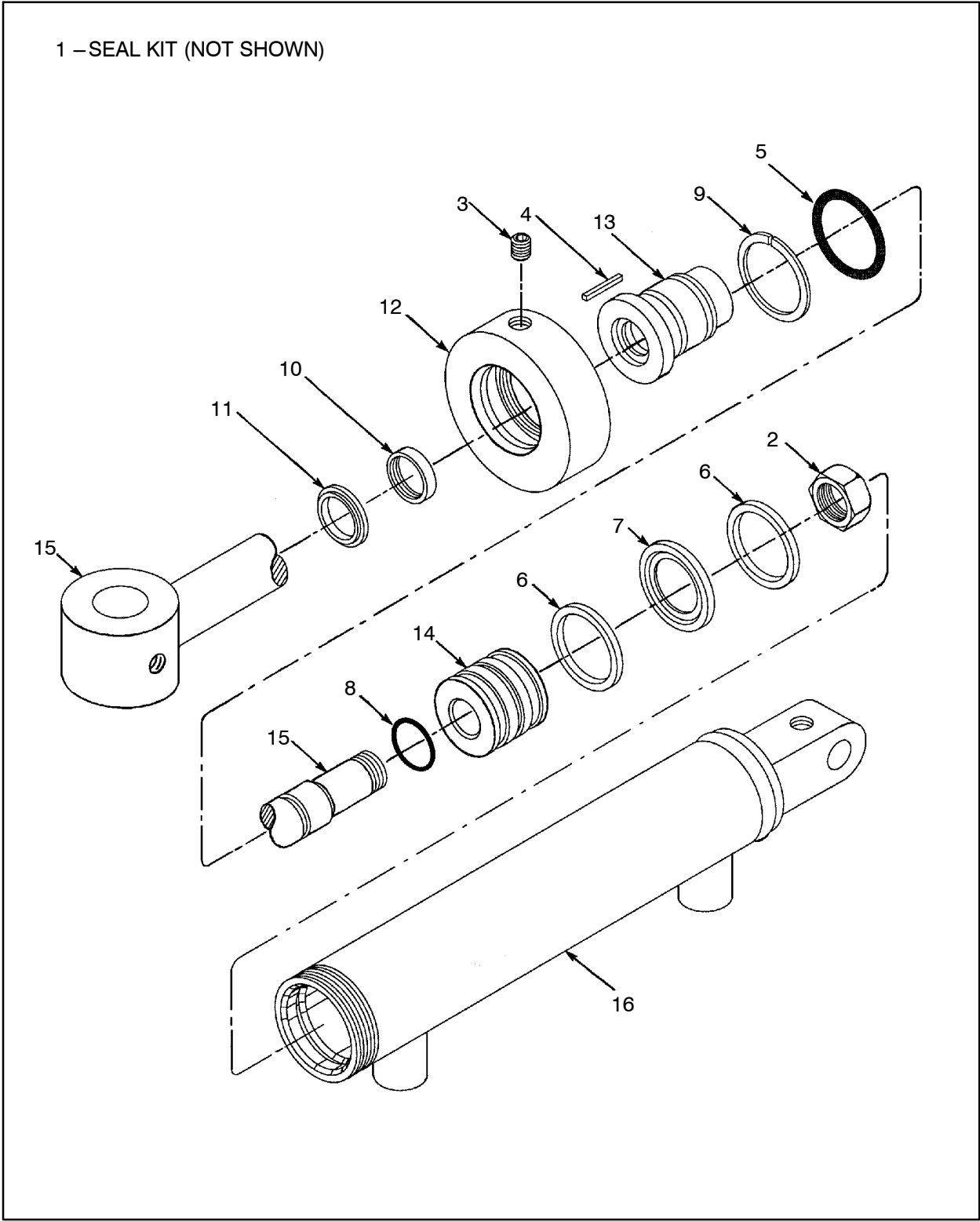


Figure 89 :CYLINDER, HYDRAULIC
E57199093 REV 01

57199093 CYLINDER, HYDRAULIC

REF.	PART NO.	QTY.	UNIT	DESCRIPTION
001	57242547	0	EA	SEAL KIT
002	57242554	1	EA	LOCKNUT
003	57012684	3	EA	SCREW, SET
004	57012676	3	EA	PLUG, NYLON
005	57242562	1	EA	O-RING
006	57242570	2	EA	RING, CAST IRON
007	57242588	1	EA	DISC 25
008	57224081	1	EA	O-RING
009	57224099	1	EA	RING, BACK-UP
010	57224115	1	EA	U-CUP, LOADED
011	57224123	1	EA	WIPER
012	57242596	1	EA	HEADCAP
013	57242604	1	EA	HEAD
014	57242612	1	EA	PISTON
015	57242638	1	EA	ROD ASSY
016	57242620	1	EA	TUBE ASSY

ROD CHANGER ASM,30°STD

57594657

57228470 HOLDER ASSY,5 ROD-30'

ROD CHANGER ASM,30'STD
57594657

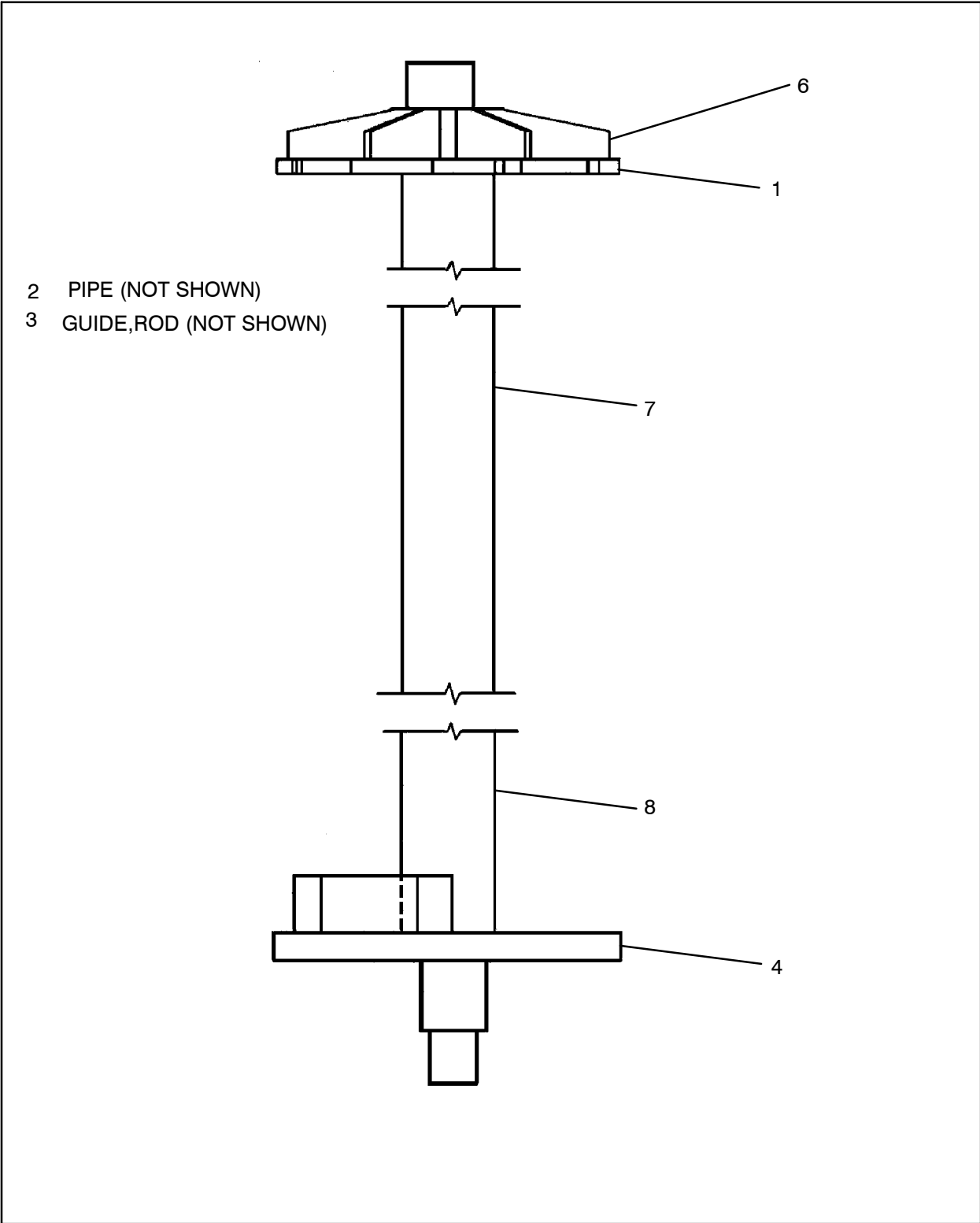


Figure 90 :HOLDER ASSY,5 ROD-30'
D57198426 REV 008

57228470 HOLDER ASSY,5 ROD-30'

REF.	PART NO.	QTY.	UNIT	DESCRIPTION
001	57037897	1	EA	HOLDER,UPPER
002	57008740	1	EA	GUIDE,ROD
003	57141848	1	EA	PIPE
004	57228462	1	EA	BULL GEAR-5 ROD
006	57371999	6	EA	PLATE, GUSSET
007	50248301	1	EA	SHAFT,UPPER
008	57426942	1	EA	SHAFT-LOWER

ROD CHANGER ASM,30'STD
57594657

57572984 MOTOR & GEAR REDUCER ASM

ROD CHANGER ASM,30°STD
57594657

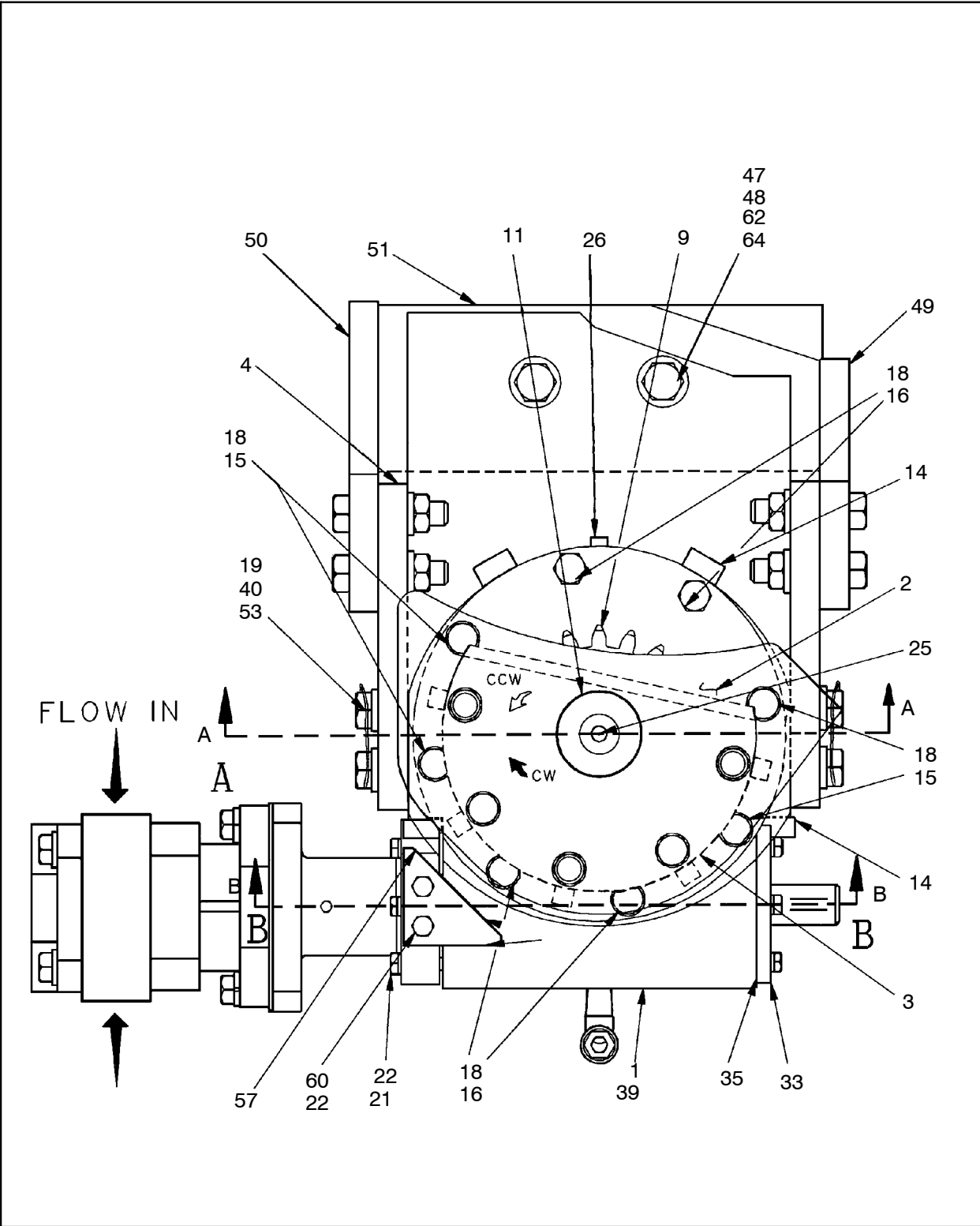


Figure 91 :MOTOR & GEAR REDUCER ASM
D57572984 REV 002

57572984 MOTOR & GEAR REDUCER ASM

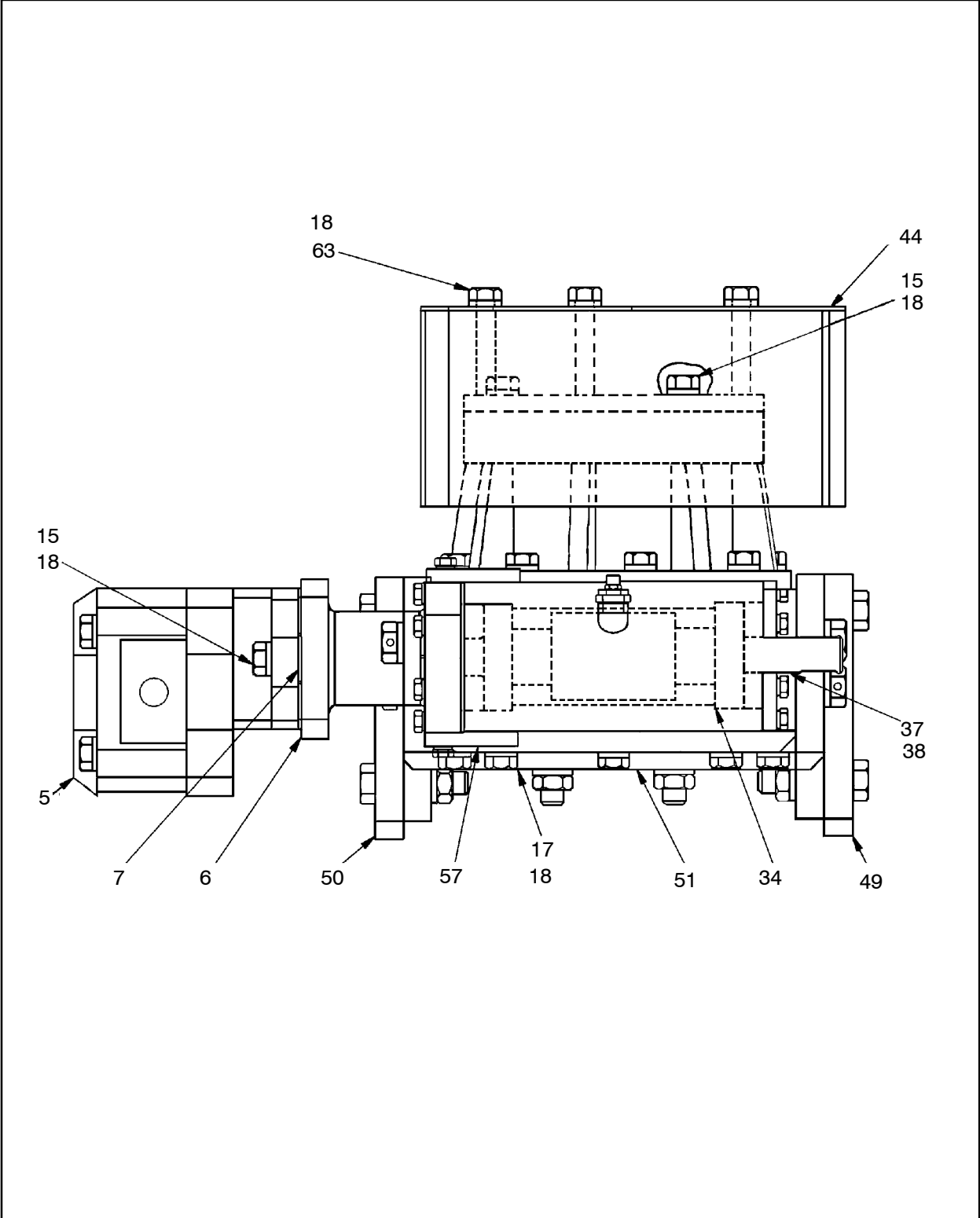


Figure 92 :MOTOR & GEAR REDUCER ASM
D57572984 REV 002

57572984 MOTOR & GEAR REDUCER ASM

ROD CHANGER ASM,30°STD
57594657

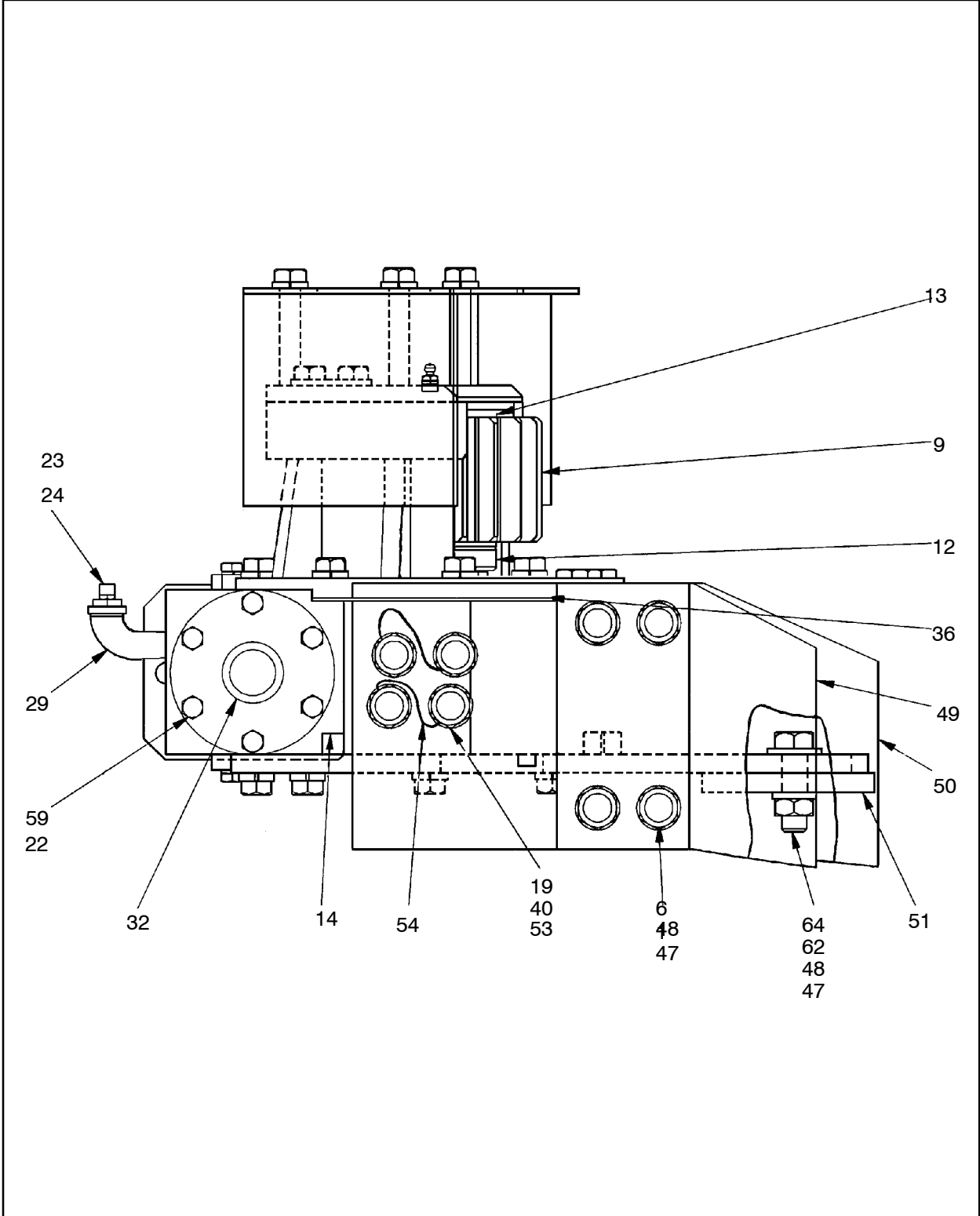
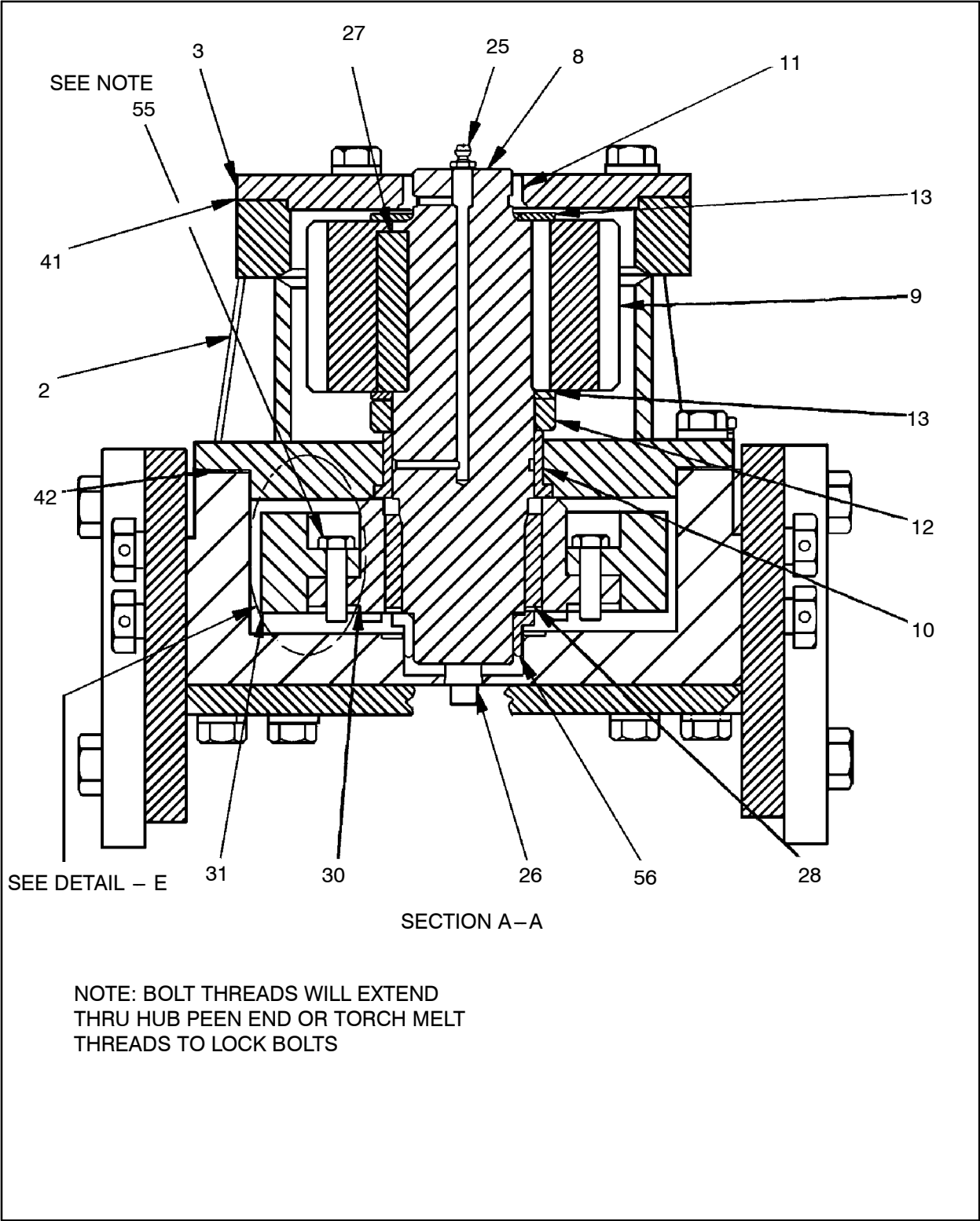


Figure 93 :MOTOR & GEAR REDUCER ASM
D57572984 REV 002

57572984 MOTOR & GEAR REDUCER ASM



ROD CHANGER ASM,30°STD
57594657

Figure 94 :MOTOR & GEAR REDUCER ASM
D57572984 REV 002

57572984 MOTOR & GEAR REDUCER ASM

ROD CHANGER ASM,30°STD
57594657

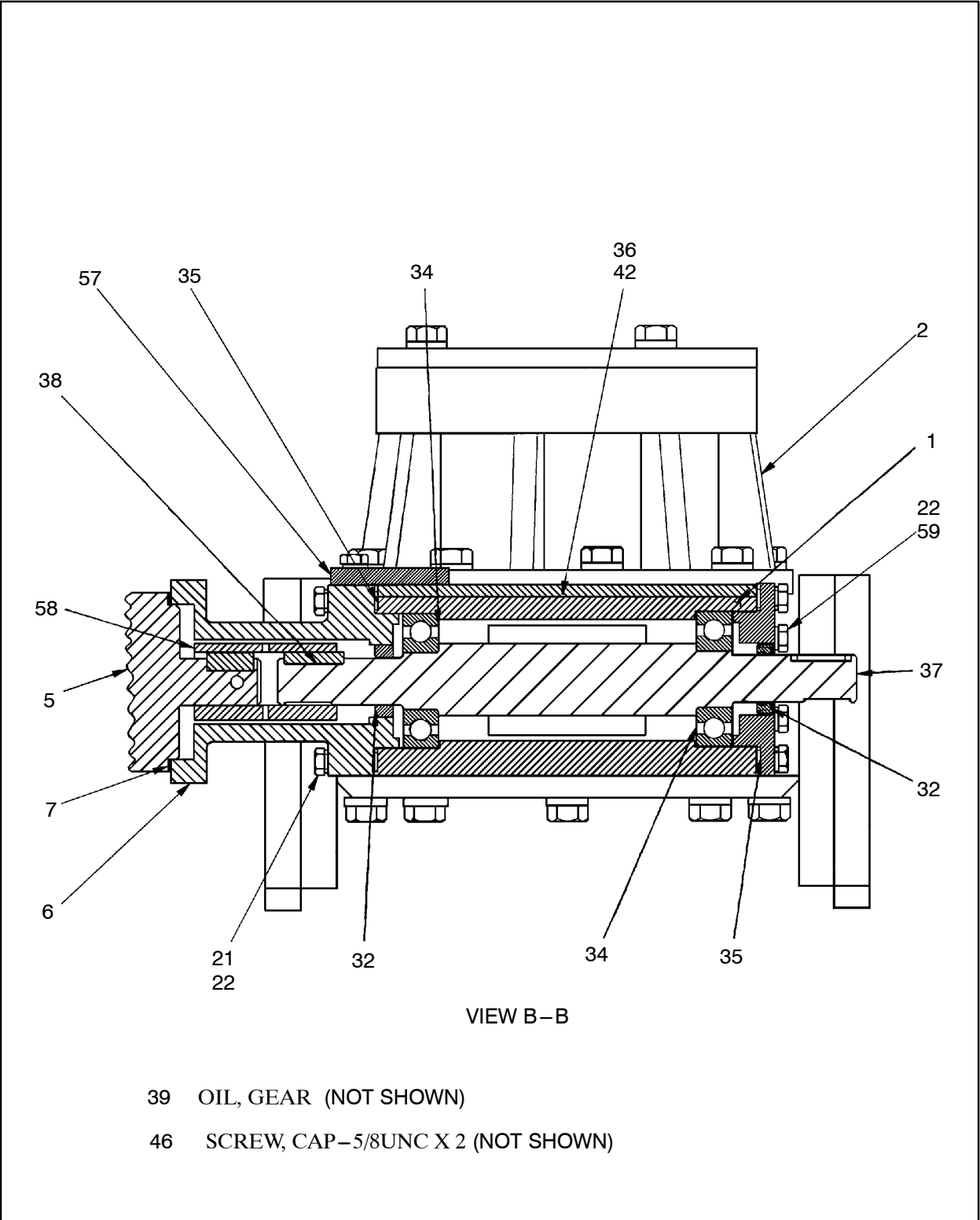


Figure 95 :MOTOR & GEAR REDUCER ASM
D57572984 REV 002

57572984 MOTOR & GEAR REDUCER ASM

ROD CHANGER ASM,30°STD
57594657

TORQUE REQUIRMENTS		
TORQUE (FT. LBS)		
ITEM	DRY THDS.	LUB. THDS.
15	75	55
16	75	55
17	75	55
19	150	110
21	17	13
46	150	110
55	35	25
59	17	13
60	19	14
61	150	110
62	150	110
63	75	55

Figure 96 :MOTOR & GEAR REDUCER ASM
D57572984 REV 002

57572984 MOTOR & GEAR REDUCER ASM

ROD CHANGER ASM,30°STD
57594657

REF.	PART NO.	QTY.	UNIT	DESCRIPTION
001	57054637	1	EA	HOUSING,GEAR
002	57590390	1	EA	COVER,GEAR BOX
	57574147	1	EA	●- CASTING,COVER,GEAR BOX
003	57054629	1	EA	COVER, TOP
004	57217531	1	EA	MOUNT, REMOVE 7 ROD
	57216780	2	EA	●- BRACKET,REMOVABLEGEARBOX
	57217507	1	EA	●- PLATE, GEAR BOX MOUNT
005	57154916	1	EA	HYD. MOTOR MODIFICATION
	57401135	1	EA	●- MOTOR, HYDRAULIC
	57401176	1	EA	●-SEAL KIT
	57401200	1	EA	●- SEAL, LIP
	57401184	2	EA	●- SEAL, RING
	57109753	2	EA	●- GASKET SEAL
006	57632556	1	EA	ADAPTER,HYD MOTOR,CAST
007	56953045	1	EA	GASKET
008	57570830	1	EA	SHAFT
009	52193521	1	EA	GEAR,PINION
010	57570780	1	EA	BUSHING,INDEX MOTOR
011	57054595	1	EA	BUSHING
012	57068991	1	EA	SPACER
013	95758595	2	EA	BEARING
014	56998164	4	EA	BAR,SQUARE
015	95104162	8	EA	SCREW, CAP-1/2-13 X1-3/8
016	95104147	4	EA	CAPSCREW,HEX HEAD
017	95044020	8	EA	SCREW, CAP-1/2-13 X1-1/8
018	95934733	23	EA	WASHER,LOCK
019	95715942	8	EA	SCREW, CAP-5/8-11 X1-1/2
021	95935235	6	EA	SCREW, CAP-5/16-18X1-1/2
022	95934303	16	EA	WASHER,LOCK,PLATED
023	95043212	1	EA	BUSHING
024	95422663	1	EA	BREATHER
025	95201547	1	EA	FITTING,LUBE
026	95033601	2	EA	PLUG,PIPE,SQ HEAD
027	57209926	1	EA	KEY
028	57570848	2	EA	KEY,RECTANGULAR
029	95069308	1	EA	ELBOW
030	57570814	1	EA	HUB,REWORK

57572984 MOTOR & GEAR REDUCER ASM

REF.	PART NO.	QTY.	UNIT	DESCRIPTION
-----	57570806-----	1-----	EA-----	●- HUB,WORM DRIVE
031	57570822-----	1-----	EA----	GEAR,WORM DRIVE OUTPUT
032	58227661-----	1-----	EA----	SEAL,OIL
033	58226655-----	1-----	EA----	END CAP
034	58194945-----	2-----	EA----	BEARING,BALL
035	58194960-----	2-----	EA----	GASKET
036	58192915-----	1-----	EA----	GASKET
037	58194937-----	1-----	EA----	GEAR, WORM
038	57074668-----	1-----	EA----	KEY
039	58209651-----	1.50 --	QT----	OIL, GEAR
040	95934741-----	8-----	EA----	WASHER,LOCK HELICAL
041	57185902-----	1-----	EA----	GASKET, SHIM PACK
042	57185894-----	1-----	EA----	GASKET, SHIM PACK
044	57351694-----	1-----	EA----	GUARD, GEAR – CAROUSEL
046	95930723-----	10-----	EA----	CAPSCREW,HEX HEAD
047	95922910-----	10-----	EA----	NUT,HEX, PLATED
048	95934741-----	10-----	EA----	WASHER,LOCK HELICAL
049	57216806-----	1-----	EA----	BRACKET,REMOVABLEGEARBOX
050	57216772-----	1-----	EA----	BRACKET,REMOVABLEGEARBOX
051	57216814-----	1-----	EA----	BRACKET,REMOVABLEGEARBOX
053	56784267-----	1-----	EA----	ADHESIVE
054	50344605-----	4.00 --	FT----	WIRE, LOCK
055	95959086-----	12-----	EA----	SCREW,CAP-3/8-24 X 1-1/4
056	57570772-----	1-----	EA----	BUSHING,INDEX MOTOR
057	57573065-----	2-----	EA----	SUPPORT,HYDRAULIC MOTOR
058	57351108-----	1-----	EA----	COUPLING ASSY
059	95935227-----	6-----	EA----	SCREW, CAP-5/16-18X1-1/4
060	95228607-----	4-----	EA----	SCREW,CAP HEX HEAD
061	95934154-----	8-----	EA----	CAPSCREW,HEX HEAD,PLATED
062	95930723-----	2-----	EA----	CAPSCREW,HEX HEAD
063	95104238-----	3-----	EA----	SCREW, CAP-1/2-13 X3-1/2
064	95094314-----	2-----	EA----	WASHER,FLAT,WIDE

ROD CHANGER ASM,30°STD

57594657

56255318 SUB,SPINDLE-4 BECO,29 LG

SUB,SPINDLE-4 BECO,29 LG
56255318

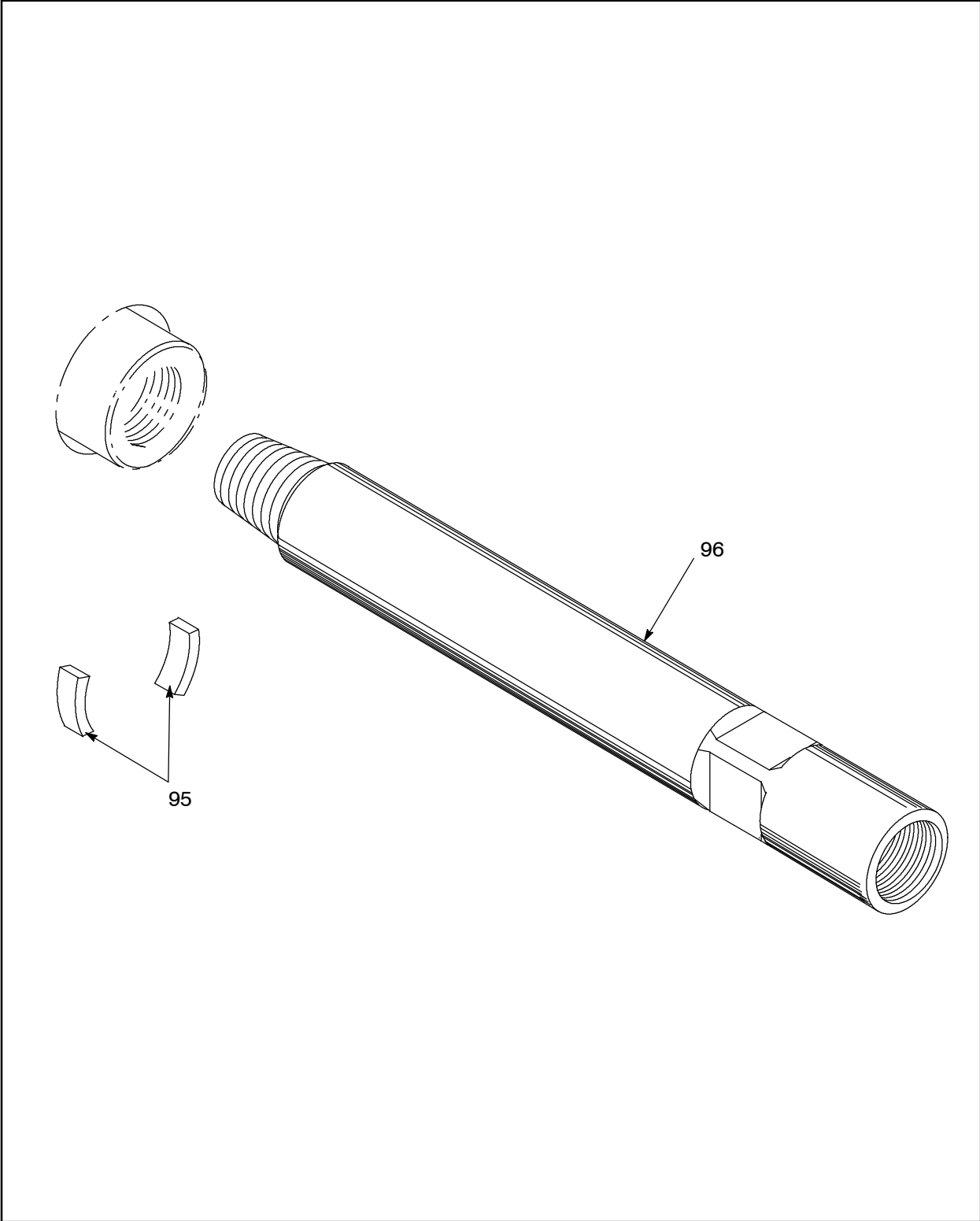


Figure 97 :SUB,SPINDLE-4 BECO,29 LG
D50339373 REV23

56255318 SUB,SPINDLE-4 BECO,29 LG

REF.	PART NO.	QTY.	UNIT	DESCRIPTION
095	50628007	2	EA	LOCK, SPINDLE
096	56255284	1	EA	ADAPTER,SPINDLE-4.00" BECO

SUB,SPINDLE-4 BECO,29 LG
56255318

57536393 BREAKOUT, SLIDING

BREAKOUT, SLIDING
57536393

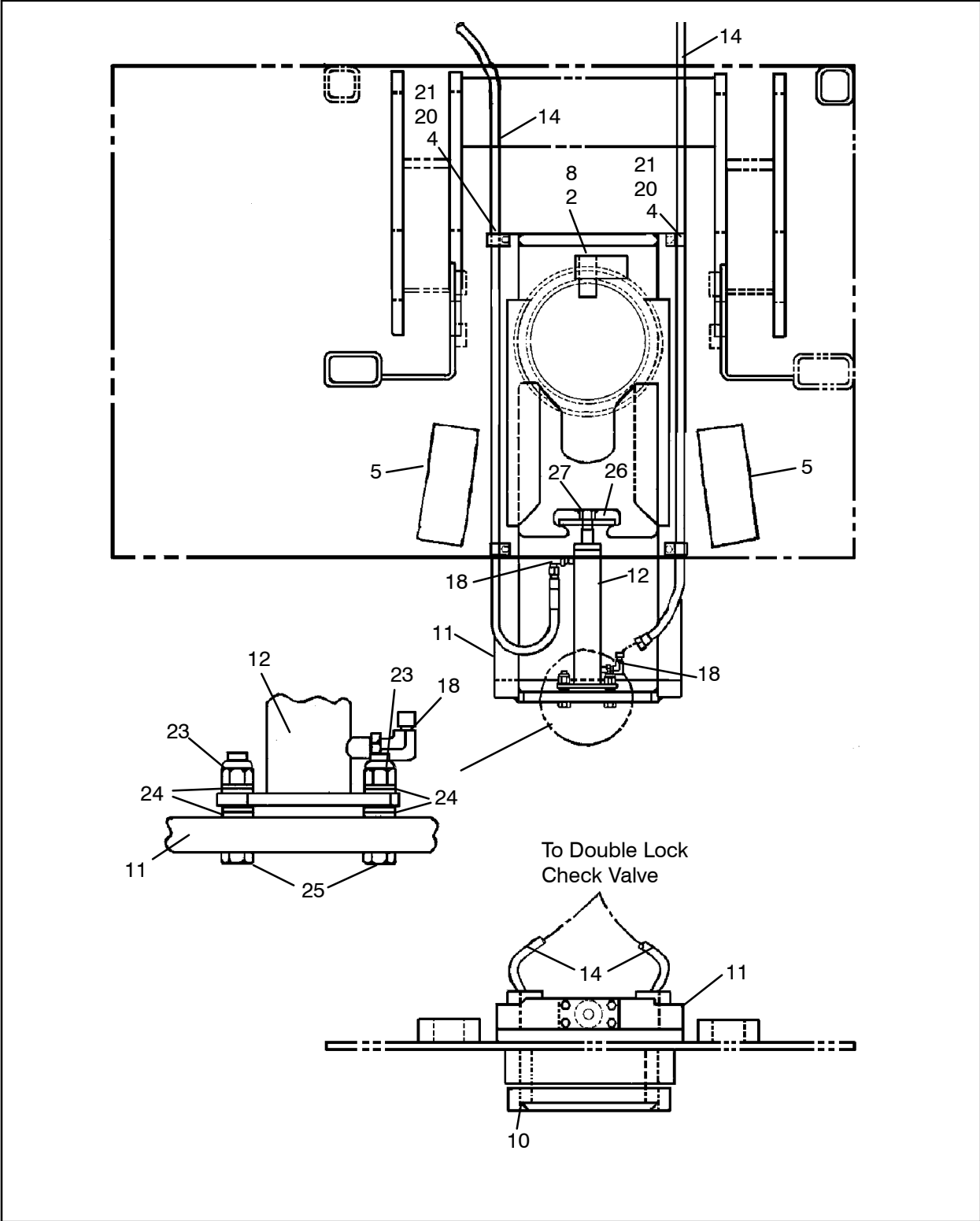
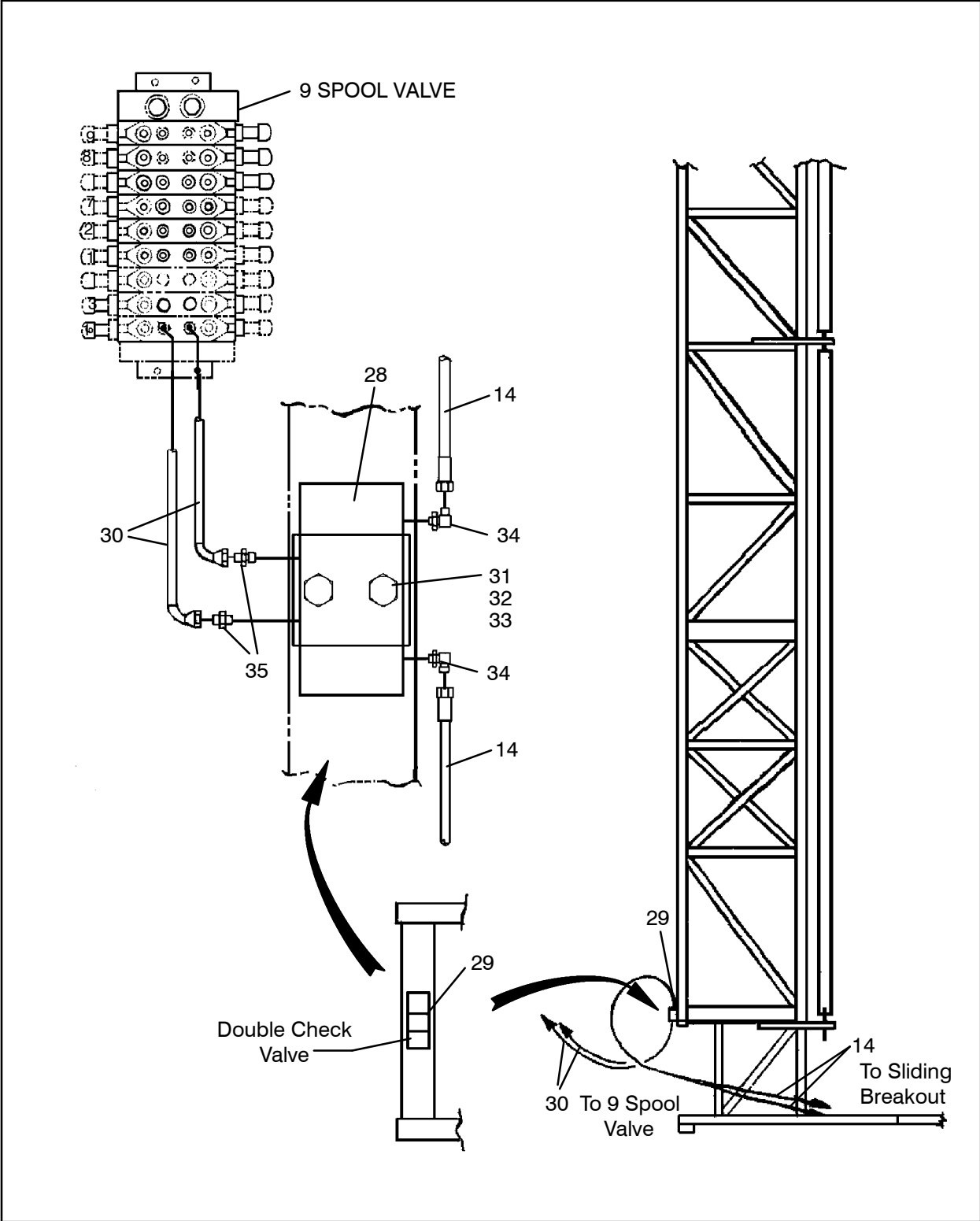


Figure 101 :BREAKOUT, SLIDING
D57536393 REV 00

57536393 BREAKOUT, SLIDING



BREAKOUT, SLIDING 57536393

Figure 102 :BREAKOUT, SLIDING
D57536393 REV 00

57536393 BREAKOUT, SLIDING

BREAKOUT, SLIDING
57536393

REF.	PART NO.	QTY.	UNIT	DESCRIPTION
002	57198939	1	EA	STOP BLOCK, CENT. BUSH
004	95310231	2	EA	CLAMP, HOSE
005	57505224	2	EA	STOP
008	57198921	1	EA	BLOCK
010	57200628	1	EA	RING, RETAINING-BREAKOUT
011	57443939	1	EA	BASE, FAB-SLIDING BRKOUT
012	57498297	1	EA	CYLINDER, HYDRAULIC
	57349185	1	EA	●- KIT,SEAL CYLINDER HYD
014	56967581	2	EA	HOSE ASSY
018	95329975	2	EA	FITTING, HYD
020	95934550	2	EA	SCREW, CAP-3/8-16 X 3/4
021	95937413	2	EA	WASHER, LOCK-3/8 PLATED
023	95260055	4	EA	NUT,HEX LOCK-1/2-13
024	35898246	8	EA	WASHER
025	95087409	4	EA	SCREW, CAP-1/2-13 X 2-1/2
026	57530537	1	EA	RETRACTOR, PIVOTING
027	95210480	1	EA	NUT,HEX-7/8-9
028	50462944	1	EA	VALVE, CHECK-DBL PILOT O\$
029	52208691	1	EA	BRACKET, MOUNTING
030	57445538	2	AS	HOSE ASSY
031	95943668	2	EA	SCREW, CAP-5/16-18X1-3/4
032	95934303	2	EA	WASHER, LOCK-5/16 PLATED
033	95922225	2	EA	WASHER, FLAT-5/16
034	95356853	2	EA	FITTING, HYD
035	95356903	2	EA	FITTING, HYD

57536393 BREAKOUT, SLIDING

This page is intentionally blank.

BREAKOUT, SLIDING 57536393

57562654 SHAFT,TIMING,ASSM

SHAFT,TIMING,ASSM
57562654

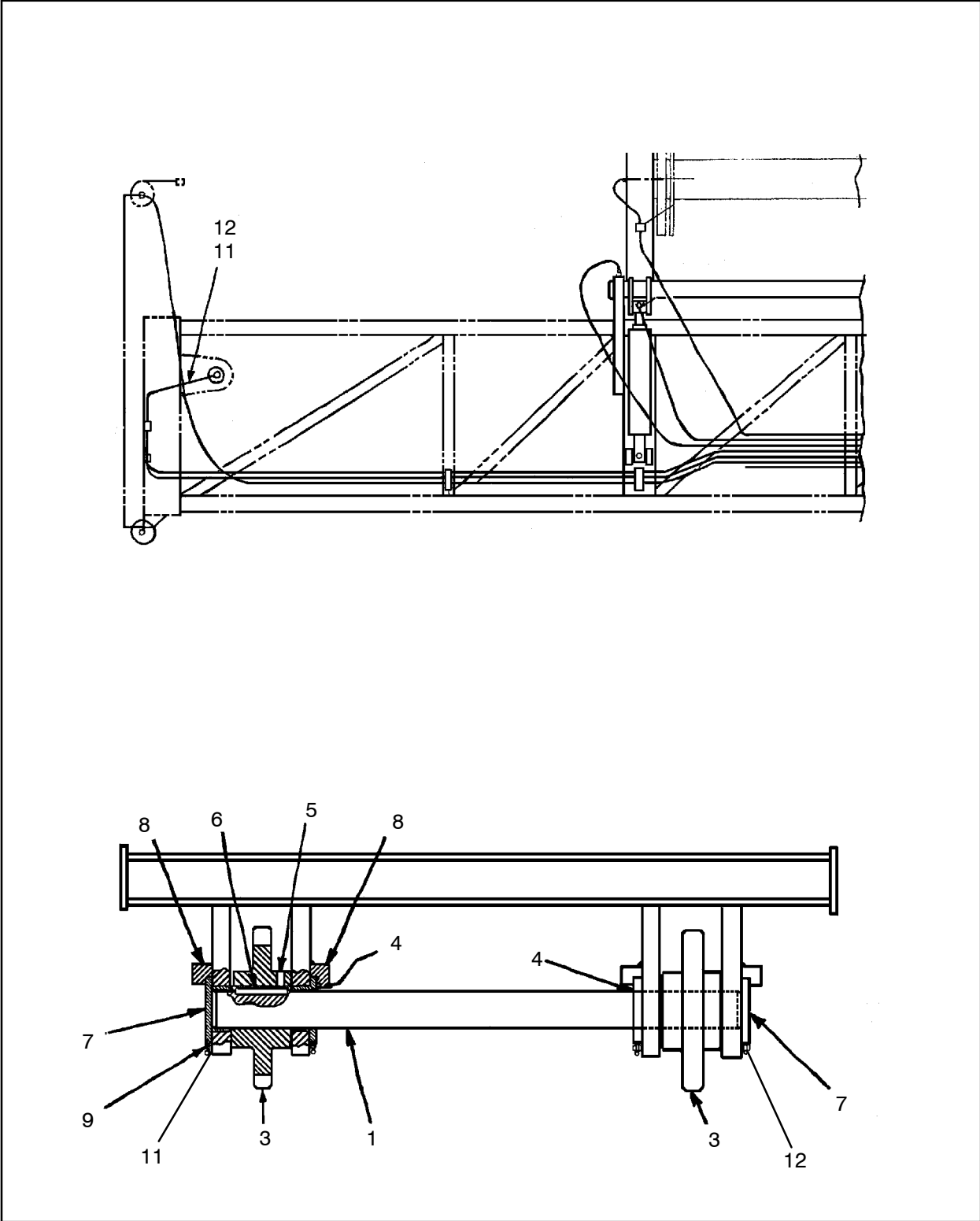
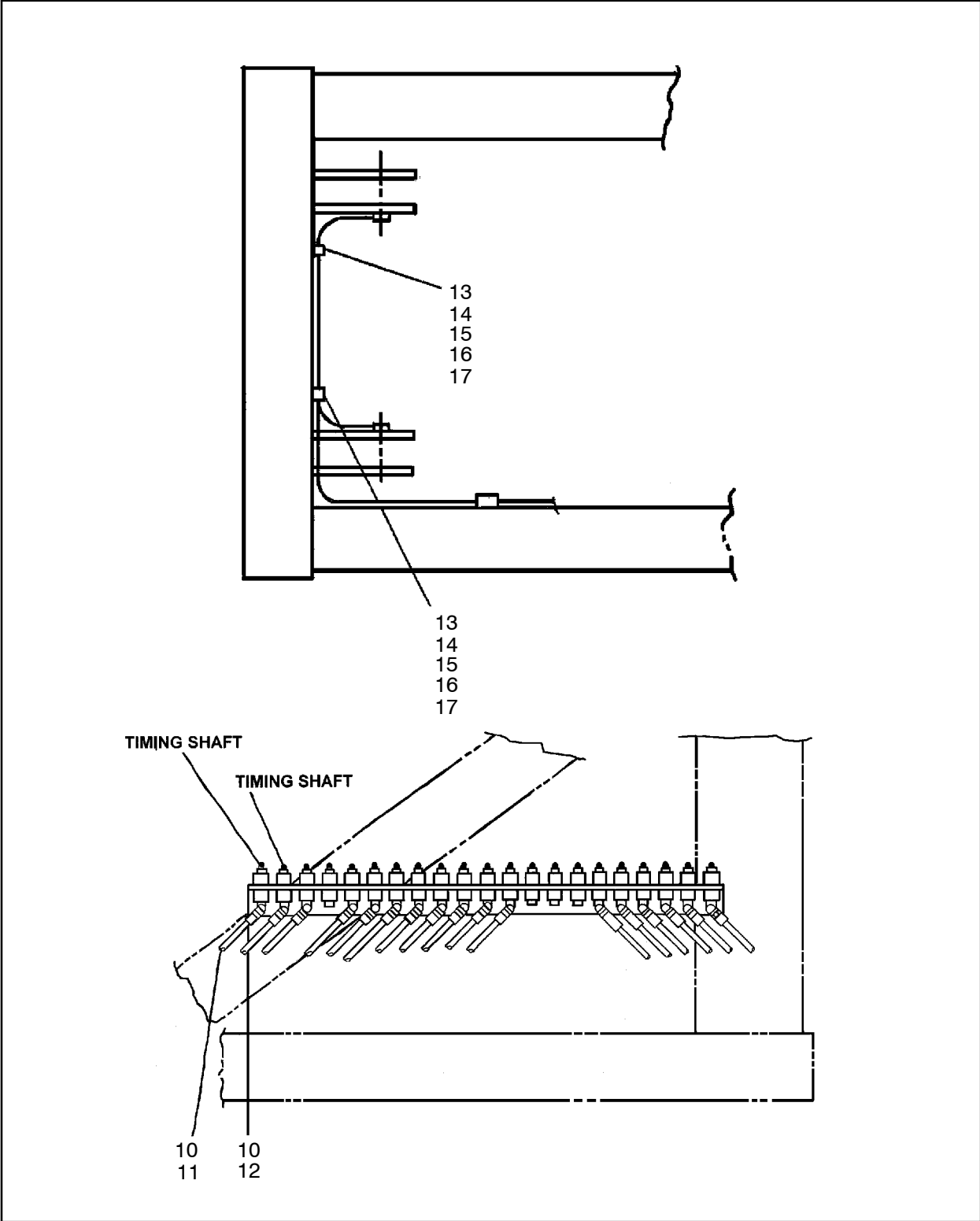


Figure 110 :SHAFT,TIMING,ASSM
E57562654 REV 001

57562654 SHAFT,TIMING,ASSM



SHAFT,TIMING,ASSM
57562654

Figure 111 :SHAFT,TIMING,ASSM
E57562654 REV 001

57562654 SHAFT,TIMING,ASSM

REF.	PART NO.	QTY.	UNIT	DESCRIPTION
001	57429789	1	EA	SHAFT, TIMING, DM45/50
003	57501132	2	EA	SPROCKET
004	57561912	2	EA	BUSHING,INNER TMG SHAFT
005	95065959	4	EA	SCREW SET
006	95951034	2	EA	KEY, SQUARE END
007	57561920	2	EA	BUSHING,OUTER TIMG SHAFT
008	57430845	4	EA	RETAINER, BUSHING
009	95201547	4	EA	FITTING,LUBE
010	95302170	2	EA	FITTING, HYD
011	56242605	1	EA	HOSE ASSY
012	57503468	1	EA	HOSE ASSY
013	95922894	2	EA	NUT,HEX,FINISHED
014	95937413	2	EA	WASHER,LOCK,HELICAL
015	95301842	2	EA	CLAMP, HOSE
016	57524522	2	EA	STUD,WELD
017	57524548	2	EA	INSULATOR,3/8

SHAFT,TIMING,ASSM
 57562654

57562654 SHAFT,TIMING,ASSM

SHAFT,TIMING,ASSM 57562654

POWERPACK/ENGINE

SECTION
POWERPACK/ENGINE

This page is intentionally blank.

SECTION

POWERPACK/ENGINE

57639510 ENGINE, QSX15, 530HP, ASSM

ENGINE, QSX15, 530HP, ASSM
57639510

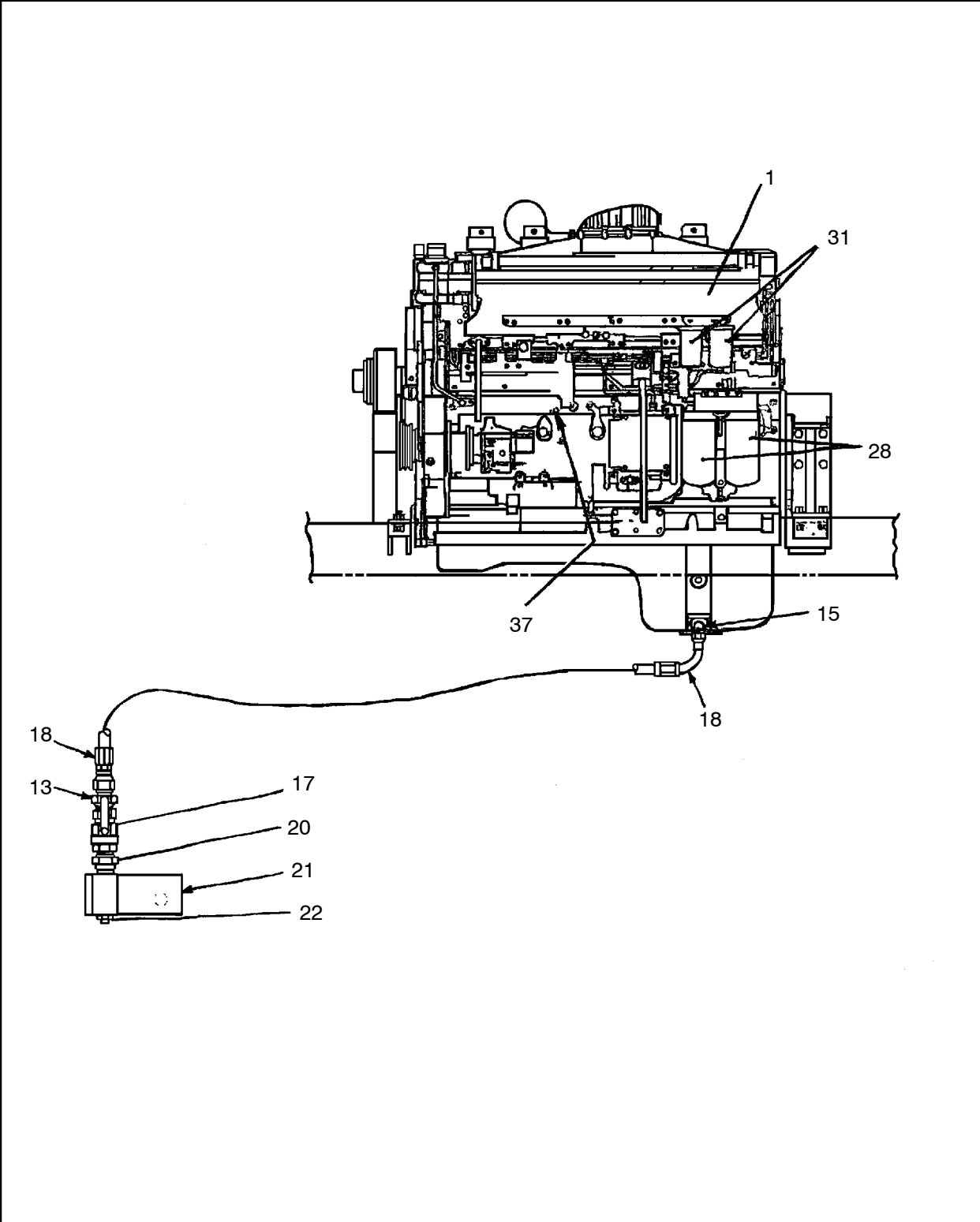
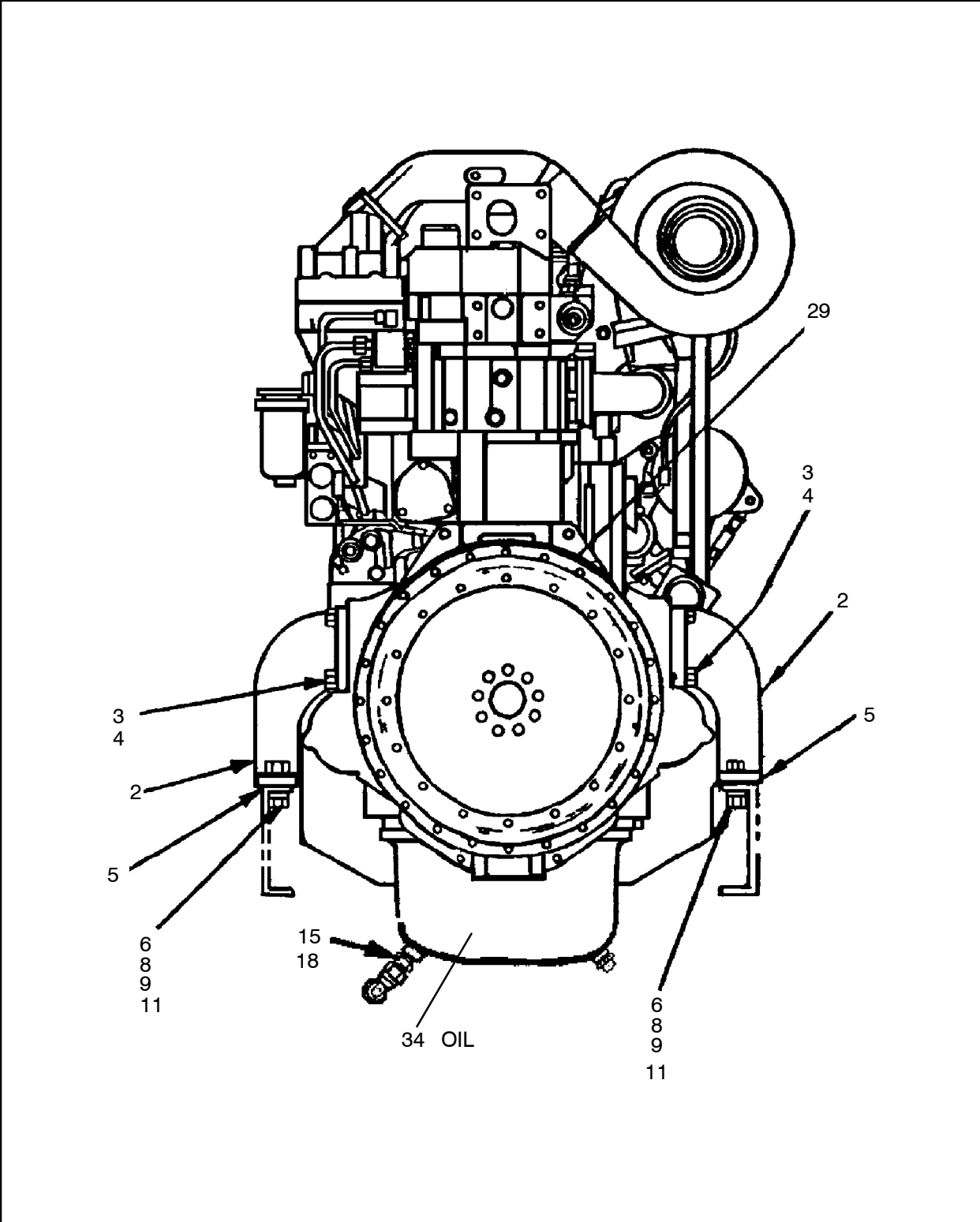


Figure 112 :ENGINE, QSX15, 530HP, ASSM
D57639973 REV 000

57639510 ENGINE, QSX15, 530HP, ASSM



ENGINE, QSX15, 530HP, ASSM
57639510

Figure 113 :ENGINE, QSX15, 530HP, ASSM
D57639973 REV 000

57639510 ENGINE, QSX15, 530HP, ASSM

ENGINE, QSX15, 530HP, ASSM
57639510

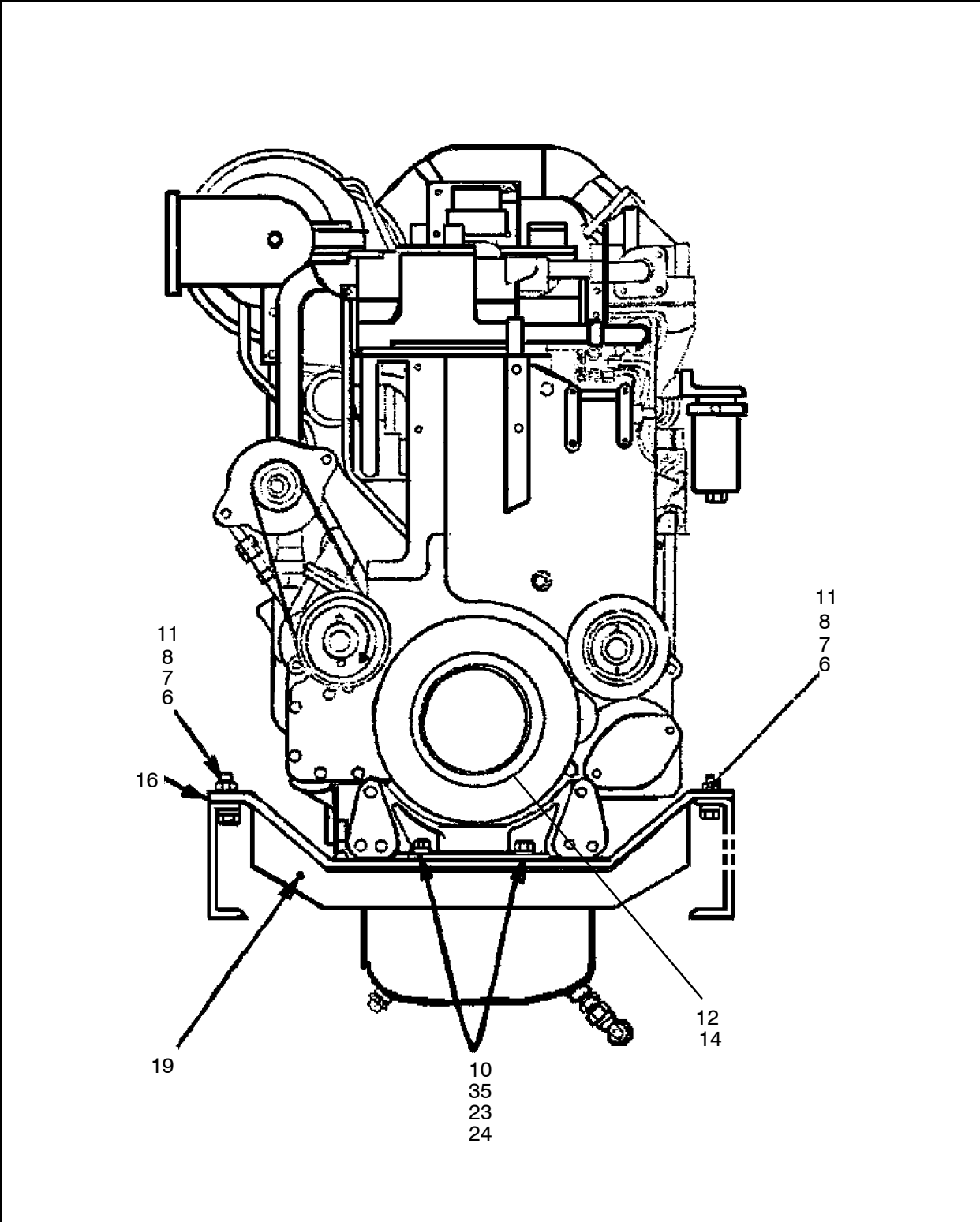
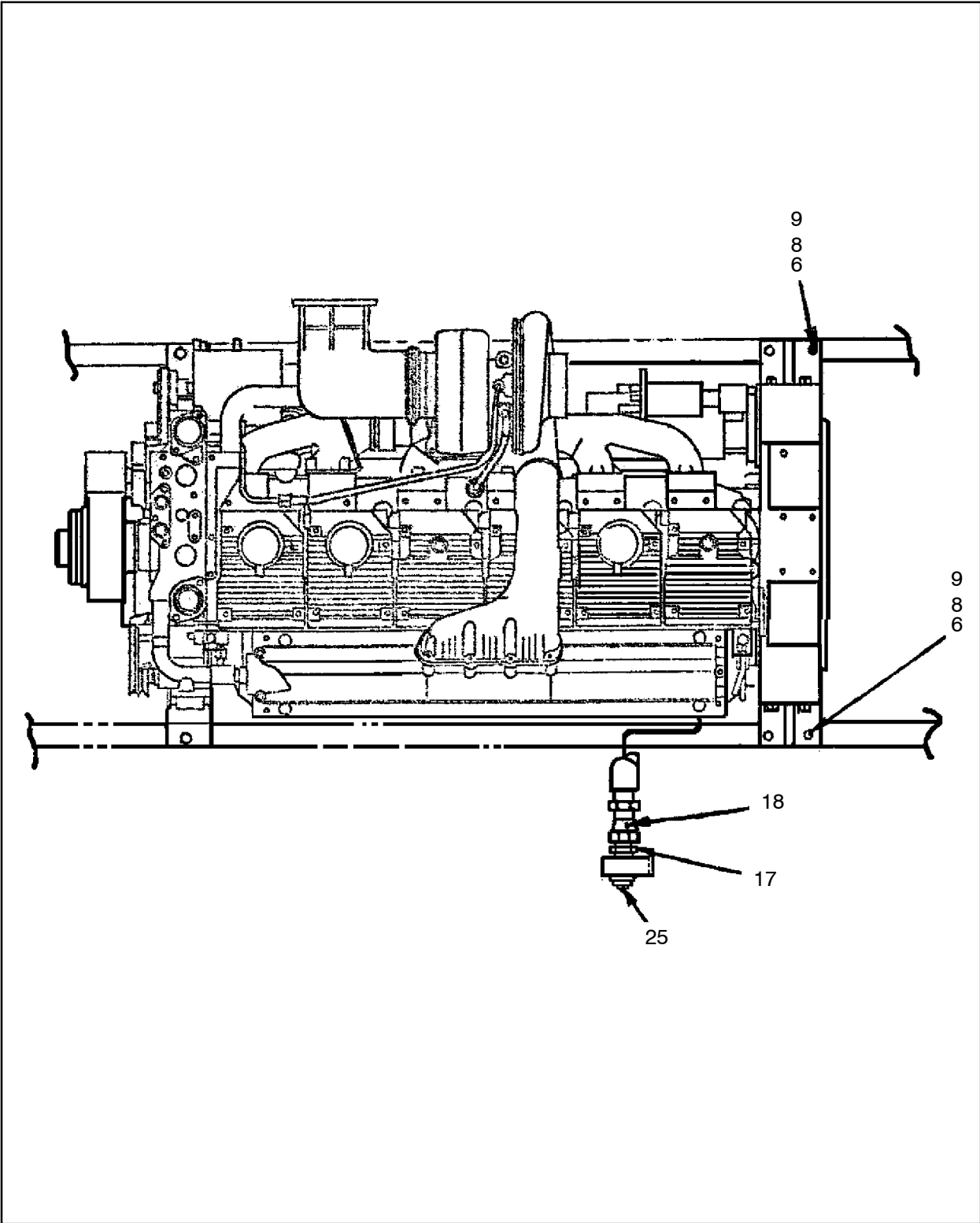


Figure 114 :ENGINE, QSX15, 530HP, ASSM
D57639973 REV 000

57639510 ENGINE, QSX15, 530HP, ASSM



ENGINE, QSX15, 530HP, ASSM
57639510

Figure 115 :ENGINE, QSX15, 530HP, ASSM
D57639973 REV 000

57639510

ENGINE, QSX15, 530HP, ASSM

ENGINE, QSX15, 530HP, ASSM
57639510

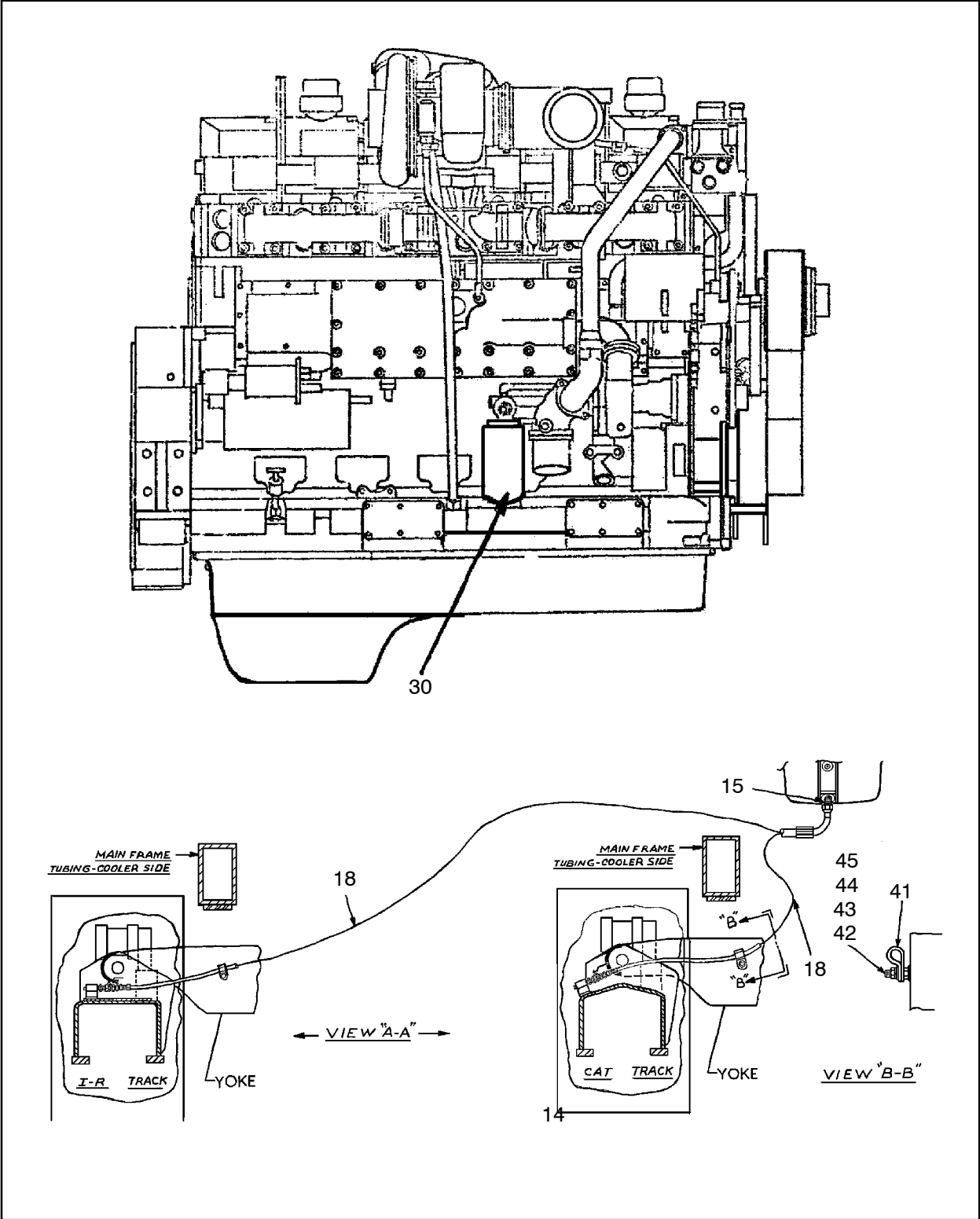
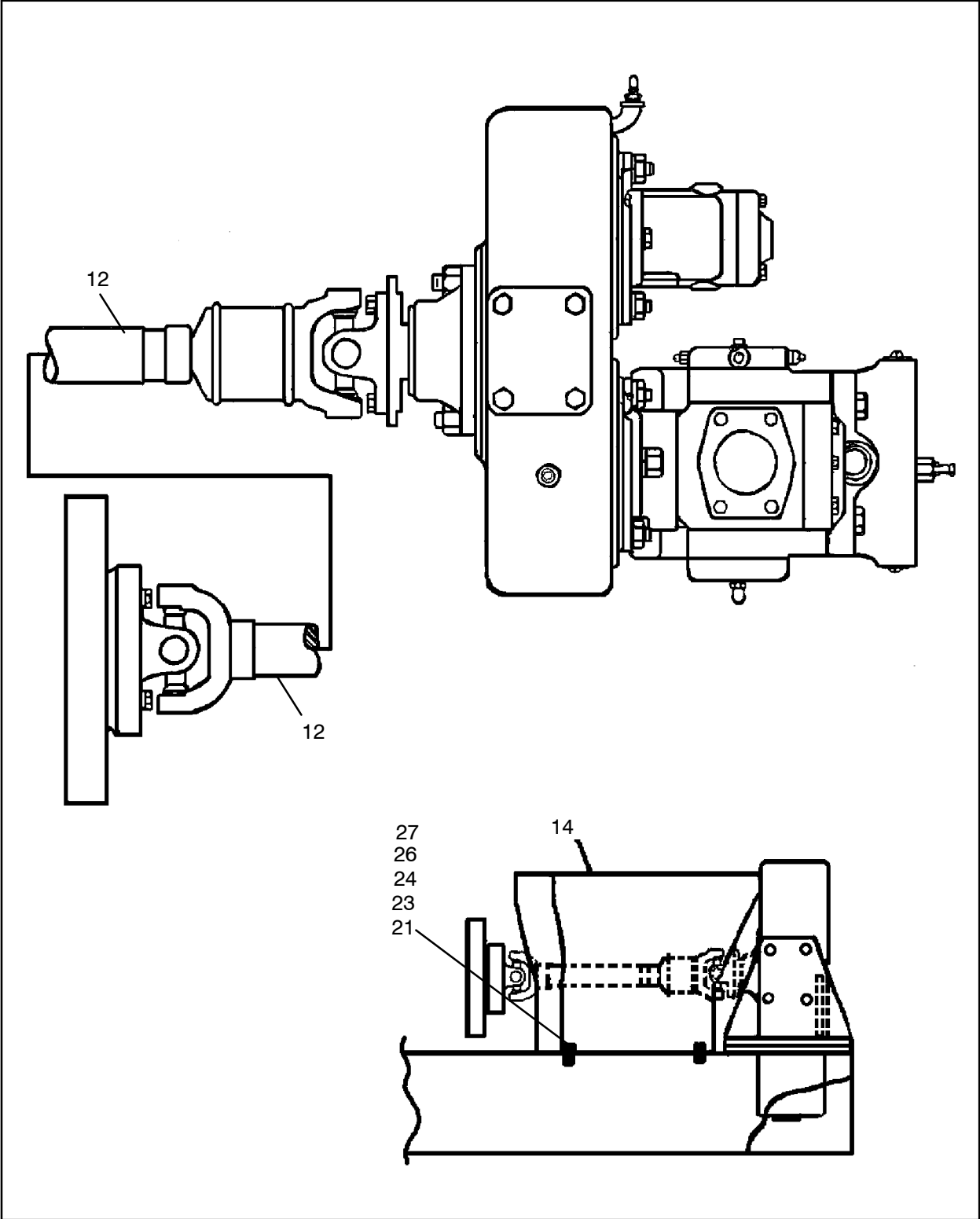


Figure 116 :ENGINE, QSX15, 530HP, ASSM
D57639973 REV 000

57639510 ENGINE, QSX15, 530HP, ASSM



ENGINE, QSX15, 530HP, ASSM
57639510

Figure 117 :ENGINE, QSX15, 530HP, ASSM
D57639973 REV 000

57639510 ENGINE, QSX15, 530HP, ASSM

ENGINE, QSX15, 530HP, ASSM
57639510

REF.	PART NO.	QTY.	UNIT	DESCRIPTION
001	54672290	1	EA	ENGINE, BARE, QSX15, 530HP
002	57623647	2	EA	SUPPORT, REAR ENG, QSX15
003	95919817	8	EA	CAPSCREW, HEX HEAD
004	95934741	8	EA	WASHER, LOCK HELICAL
005	56939028	2	EA	SHIM, PAK
006	95952354	6	EA	SCREW, CAP, HEX
007	54573704	2	EA	WASHER, BEVEL, SQ, PLATED
008	95077590	6	EA	NUT, HEX, STOP
009	50692243	4	EA	WASHER, BAR
	A0505	4.50	IN	● - BAR FLAT A36
010	95935201	1	EA	CAPSCREW, HEX
011	95094314	6	EA	WASHER, FLAT, WIDE
012	57368524	1	EA	DRIVE SHAFT
	57227787	0	EA	● - CROSS KIT
013	95279378	1	EA	FITTING, HYD
014	57666091	1	EA	GUARD, DRIVE SHAFT - QSX
	95356309	4	EA	● - NUT, HEX LOCK - 3/8 - 24
	95922894	2	EA	● - NUT, HEX, FINISHED
015	57643884	1	EA	FITTING, HYDRAULIC
016	50518083	4	EA	SHIM SET
017	50829605	1	EA	VALVE, BALL - 1/2
018	57496283	1	EA	HOSE ASSY
019	57623639	1	EA	SUPPORT, FRONT ENG, QSX15
020	95323358	1	EA	FITTING, STR - EXT NPT RUN
021	52235363	1	EA	BRACKET, OIL
	A0452	7.00	IN	● - BAR FLAT A36
	95935649	1	EA	● - COUPLING, PIPE FTG
022	95002143	1	EA	PLUG, PIPE - SQ HEAD
023	95972246	2	EA	WASHER, FLAT, PLATED
024	95922423	2	EA	WASHER, FLAT, 3/4
025	95920674	1	EA	CAPSCREW, HEX
026	95937413	1	EA	WASHER, LOCK, HELICAL
027	95922233	1	EA	WASHER, FLAT, WIDE
028	57645210	1	EA	ELEMENT, FILTER - OIL
029	57656217	1	EA	WIRING, ENGINE QSX 1 STR (See figure 118)
030	57645202	1	EA	FILTER, SERVICE COOLANT
031	57645228	1	EA	FILTER, FUEL

57639510 ENGINE, QSX15, 530HP, ASSM

REF.	PART NO.	QTY.	UNIT	DESCRIPTION
034	52223831	12.00	GL	OIL, MOTOR
035	95077319	2	EA	NUT, HEX, STOP
037	57595639	1	EA	CONNECTOR, COMMUNICATION
041	95478509	1	EA	CLAMP, HOSE
042	95920674	1	EA	CAPSCREW, HEX
043	95937413	1	EA	WASHER, LOCK, HELICAL
044	95922894	1	EA	NUT, HEX, FINISHED
045	95935201	1	EA	CAPSCREW, HEX

ENGINE, QSX15, 530HP, ASSM
57639510

57656217 WIRING,ENGINE QSX 1 STR

ENGINE, QSX15,530HP,ASSM
57639510

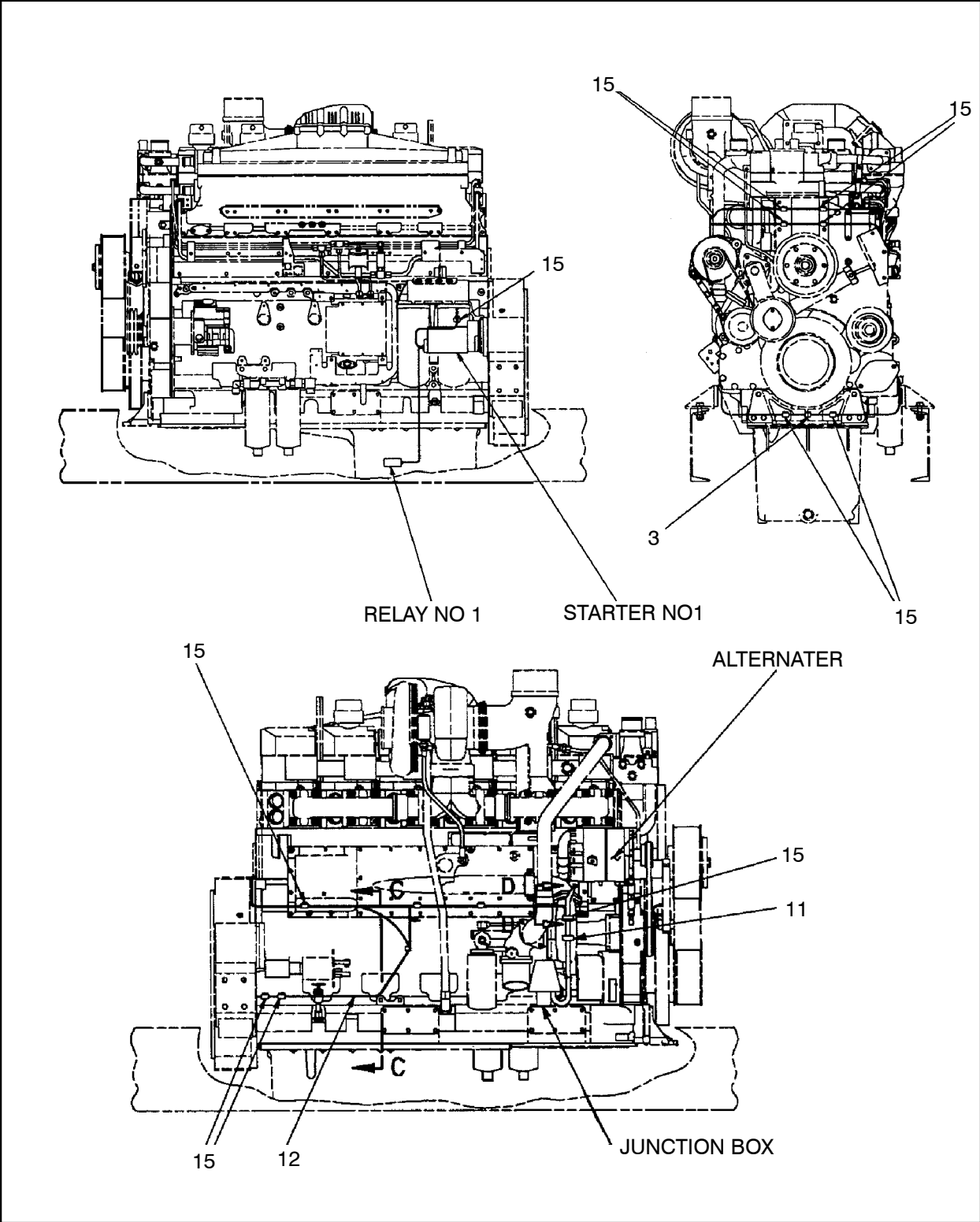
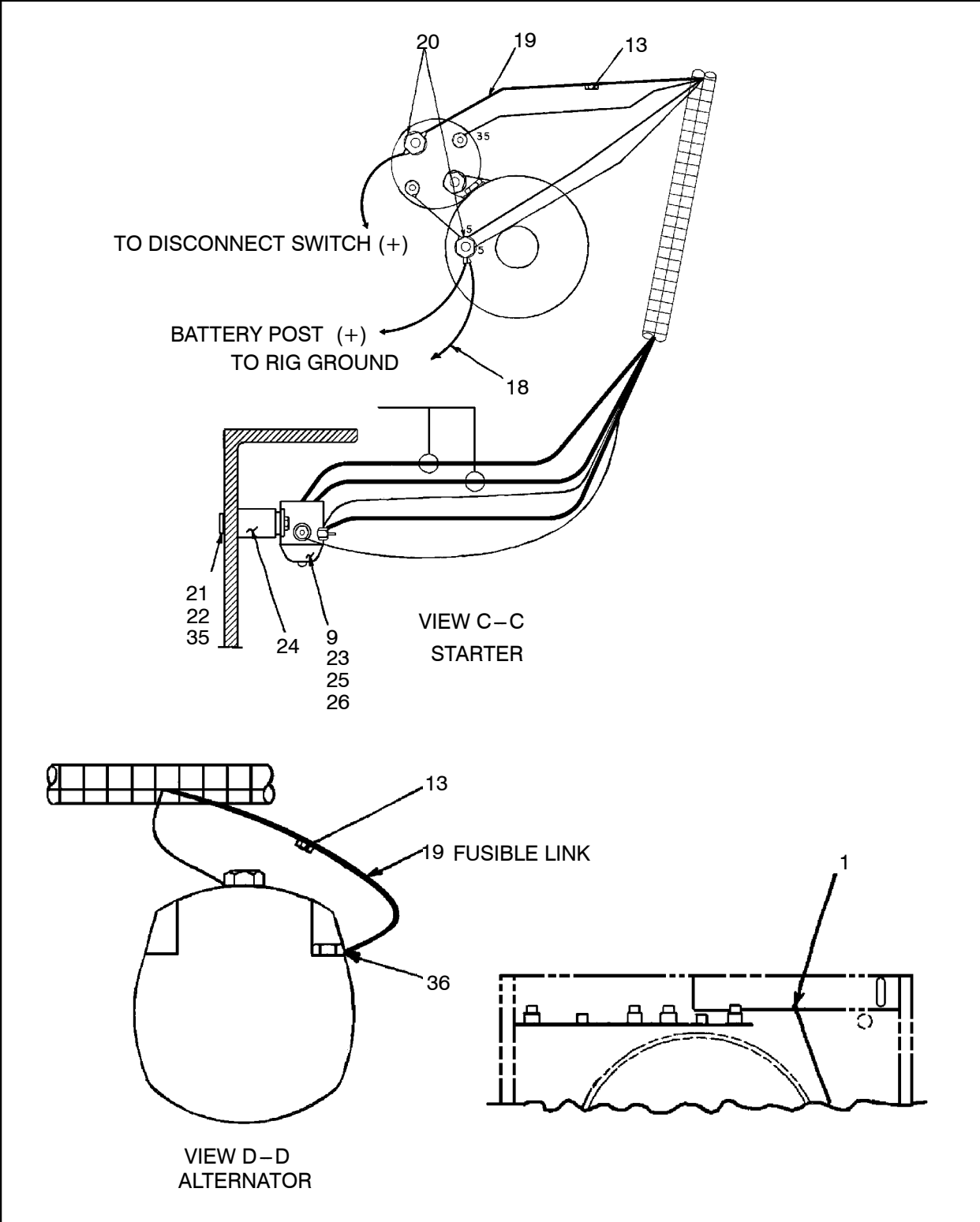


Figure 118 :WIRING,ENGINE QSX 1 STR
D57656217 REV 000

57656217 WIRING,ENGINE QSX 1 STR



ENGINE, QSX15, 530HP ASSM
57639510

Figure 119 :WIRING,ENGINE QSX 1 STR
D57656217 REV 000

57656217 WIRING,ENGINE QSX 1 STR

REF.	PART NO.	QTY.	UNIT	DESCRIPTION
001	57474140	1	EA	SWITCH,COOLANT-N14
003	95301883	1	EA	CLAMP,HOSE
009	95922183	2	EA	WASHER,FLAT
011	95748802	4	EA	TIE,CABLE
012	57641011	1	EA	HARNES, WIRE QSX 1 STRTR
013	50695063	2	EA	CONNECTOR,12 RED
015	95301859	11	EA	CLAMP,HOSE
018	52246519	1	EA	CABLE,GROUND-1/0 X 36
019	56999360	2	EA	WIRE LINK-9
020	95359329	2	EA	TERMINAL,12-10,1/2 RING
021	57141939	2	EA	FASTENER,1/4-20 TEENUT
022	56784267	0.00	EA	ADHESIVE
023	59956466	1	EA	RELAY,SOLENOID-24VMARINE
024	57139131	2	EA	MOUNT,FLEX-BOLTSANDWICH
025	95931564	2	EA	NUT,HEX,FINISHED
026	95934766	2	EA	WASHER,LOCK,HELICAL
035	95934303	2	EA	WASHER,LOCK,PLATED
036	56921430	1	EA	TERMINAL,12-10,1/4 RING

ENGINE, QSX15,530HP,ASSM
57639510

57656217 WIRING,ENGINE QSX 1 STR

ENGINE, QSX15,530HP,ASSM 57639510

57665705 COOLER,ASM,TIER 2

COOLER,ASM,TIER 2
57665705

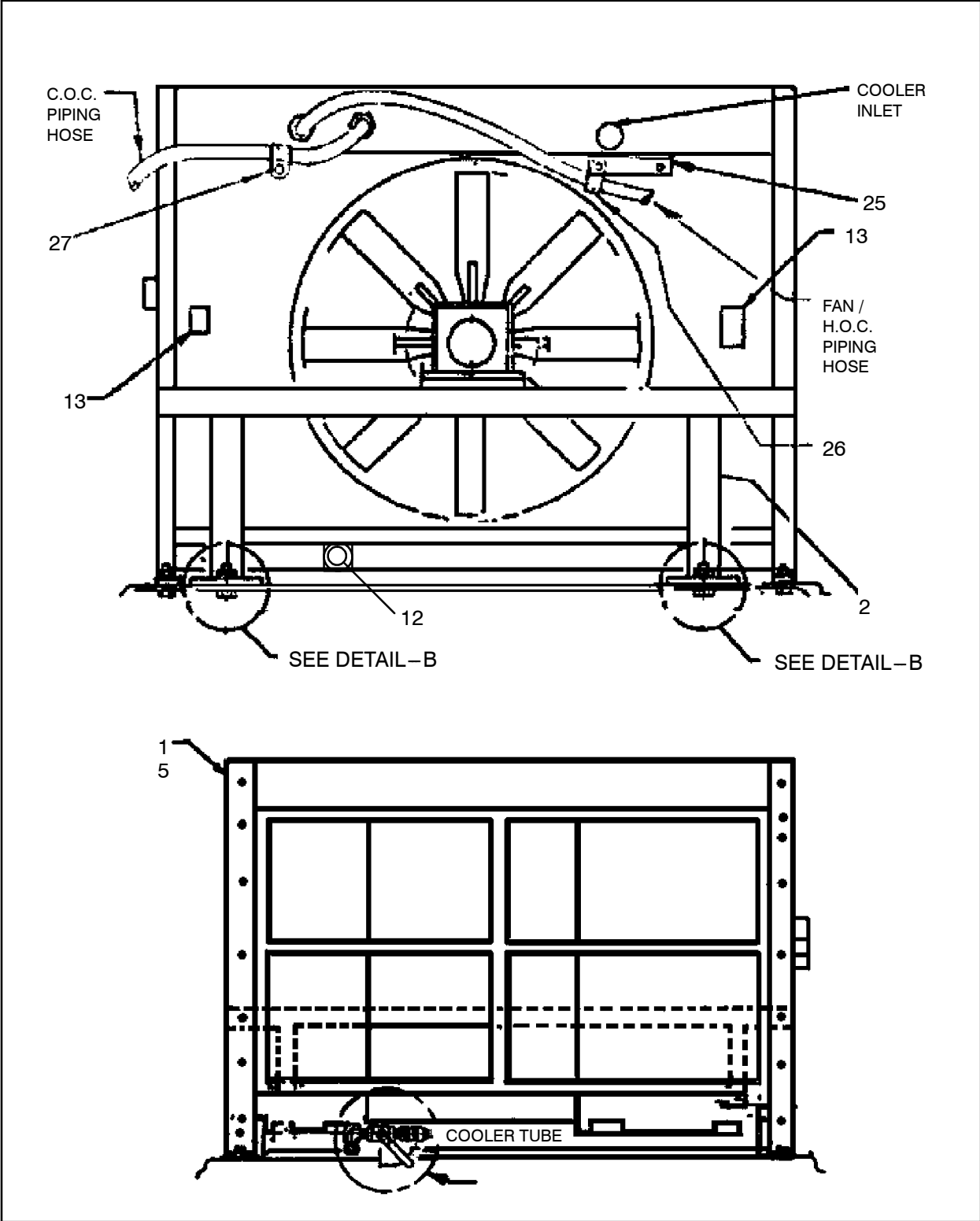


Figure 120 :COOLER,ASM,TIER 2
D57665705 REV 011

57665705 COOLER,ASM,TIER 2

COOLER,ASM,TIER 2
57665705

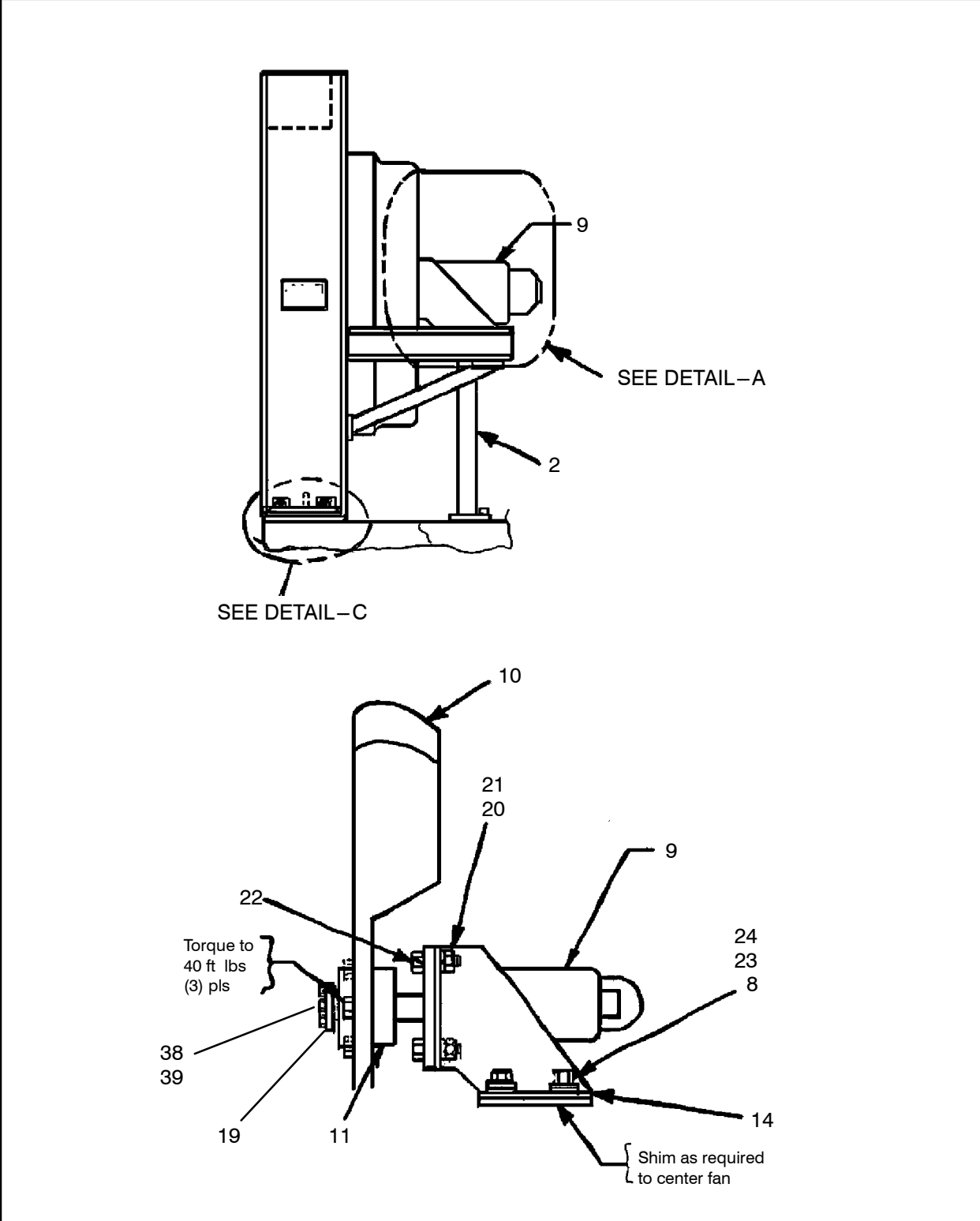


Figure 121 :COOLER,ASM,TIER 2
D57665705 REV 011

57665705 COOLER,ASM,TIER 2

COOLER,ASM,TIER 2
57665705

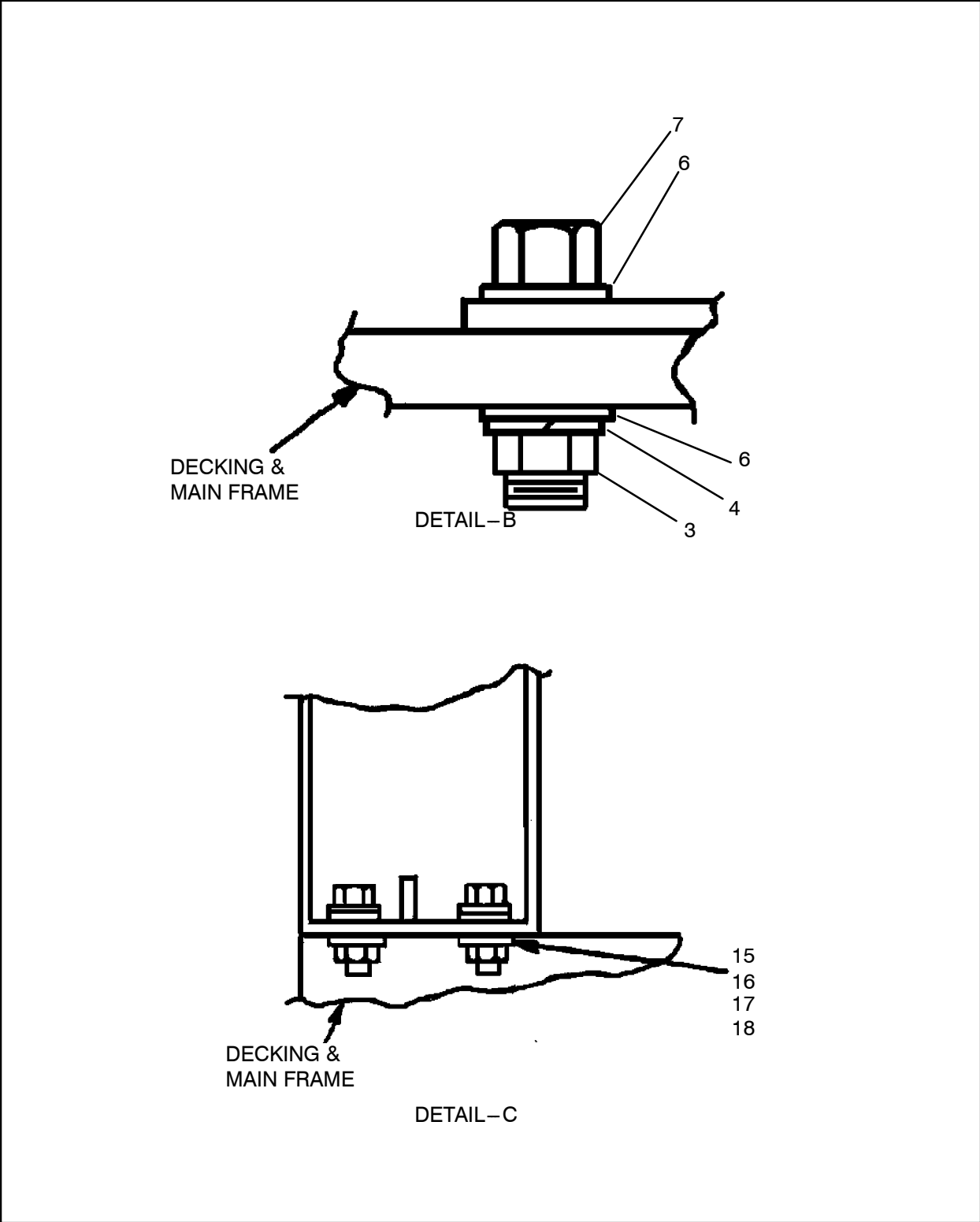
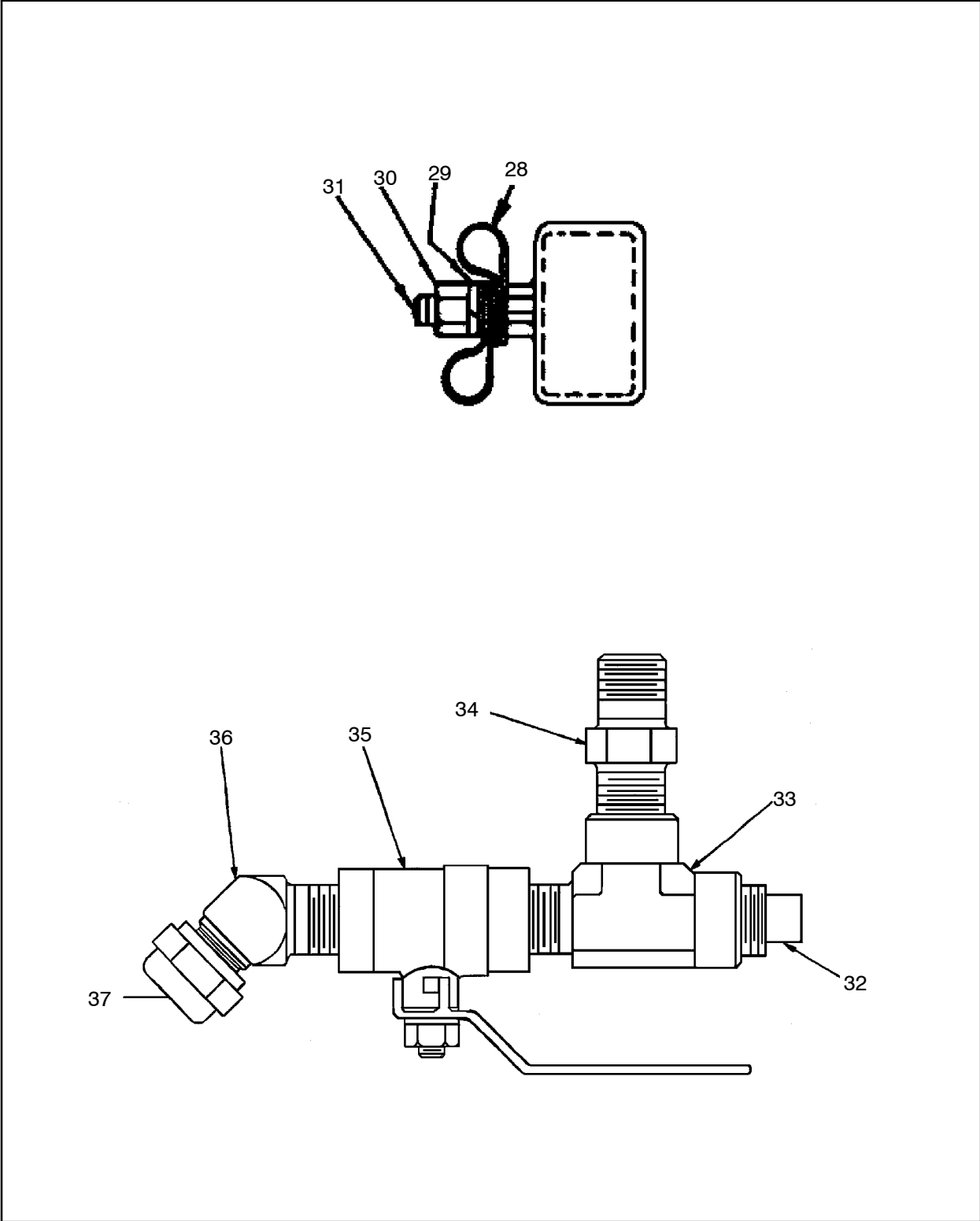


Figure 122 :COOLER,ASM,TIER 2
D57665705 REV 011

57665705 COOLER,ASM,TIER 2



COOLER,ASM,TIER 2
57665705

Figure 123 :COOLER,ASM,TIER 2
D57665705 REV 011

57665705 COOLER,ASM,TIER 2

COOLER,ASM,TIER 2
57665705

REF.	PART NO.	QTY.	UNIT	DESCRIPTION
001	57736860	1	EA	COOLER,T2,525-600HP,ASSM (See figure 124)
002	57503591	2	EA	SUPPORT LEG - COOLER
003	95922910	2	EA	NUT,HEX,PLATED
004	95934741	2	EA	WASHER,LOCK HELICAL
005	50262526	22.00	GL	ANTI-FREEZE
006	95094314	4	EA	WASHER,FLAT,WIDE
007	95934154	2	EA	SCREW,CAP,HEX
008	95064697	4	EA	WASHER,FLAT 1/2
009	57657660	1	EA	MOTOR,HYDRAULIC FAN
	57756561	1	EA	● - KIT,SEAL
	57756553	1	EA	● - KIT,SHAFT(SHAFT,BRG,KEY)
010	57436024	1	EA	FAN BLADE-54IN. 8 BLADE
011	57480980	1	EA	BUSHING, TAPER-1.75 BORE
012	95666996	1	EA	PLUG,HEX HEAD,STRT THRD
013	57140469	2	EA	DECAL,WARNING-ROT.BLADE
014	52223872	8	EA	SHIM
015	95934154	4	EA	SCREW,CAP,HEX
016	95094314	4	EA	WASHER,FLAT,WIDE
017	95922910	4	EA	NUT,HEX,PLATED
018	95934741	4	EA	WASHER,LOCK HELICAL
019	58034950	1	EA	WASHER,ROLLER
020	95077319	4	EA	NUT,HEX,STOP
021	95200093	4	EA	WASHER,FLAT
022	95935201	4	EA	CAPSCREW,HEX
023	95934451	4	EA	CAPSCREW,HEXHEAD,PLATED
024	95934733	4	EA	WASHER,LOCK
025	57668279	1	EA	BRACKET,COOLER INLET
026	95457586	1	EA	CLAMP,HOSE
027	95301875	1	EA	CLAMP,HOSE
028	95457586	2	EA	CLAMP,HOSE
029	95209409	1	EA	WASHER,LOCK-1/2
030	95922902	1	EA	NUT,HEX,FINISHED,PLATED
031	95920708	1	EA	CAPSCREW,HEX
032	95033619	1	EA	PLUG,PIPE-1/2 SQ HEAD
033	95264941	1	EA	TEE,MALE RUN,NPTF
034	95315214	1	EA	NIPPLE,NPTF DRYSEAL

57665705 COOLER,ASM,TIER 2

REF.	PART NO.	QTY.	UNIT	DESCRIPTION
035	50829605	1	EA	VALVE,BALL-1/2
036	95279097	1	EA	FITTING,HYD
037	95257325	1	EA	CAP,37 DEG FLARED
038	95081865	1	EA	WASHER,LOCK
039	96714738	1	EA	SCREW

COOLER,ASM,TIER 2
57665705

57639940 PIPING,CAC CUM DML

PIPING,CAC CUM DML
57639940

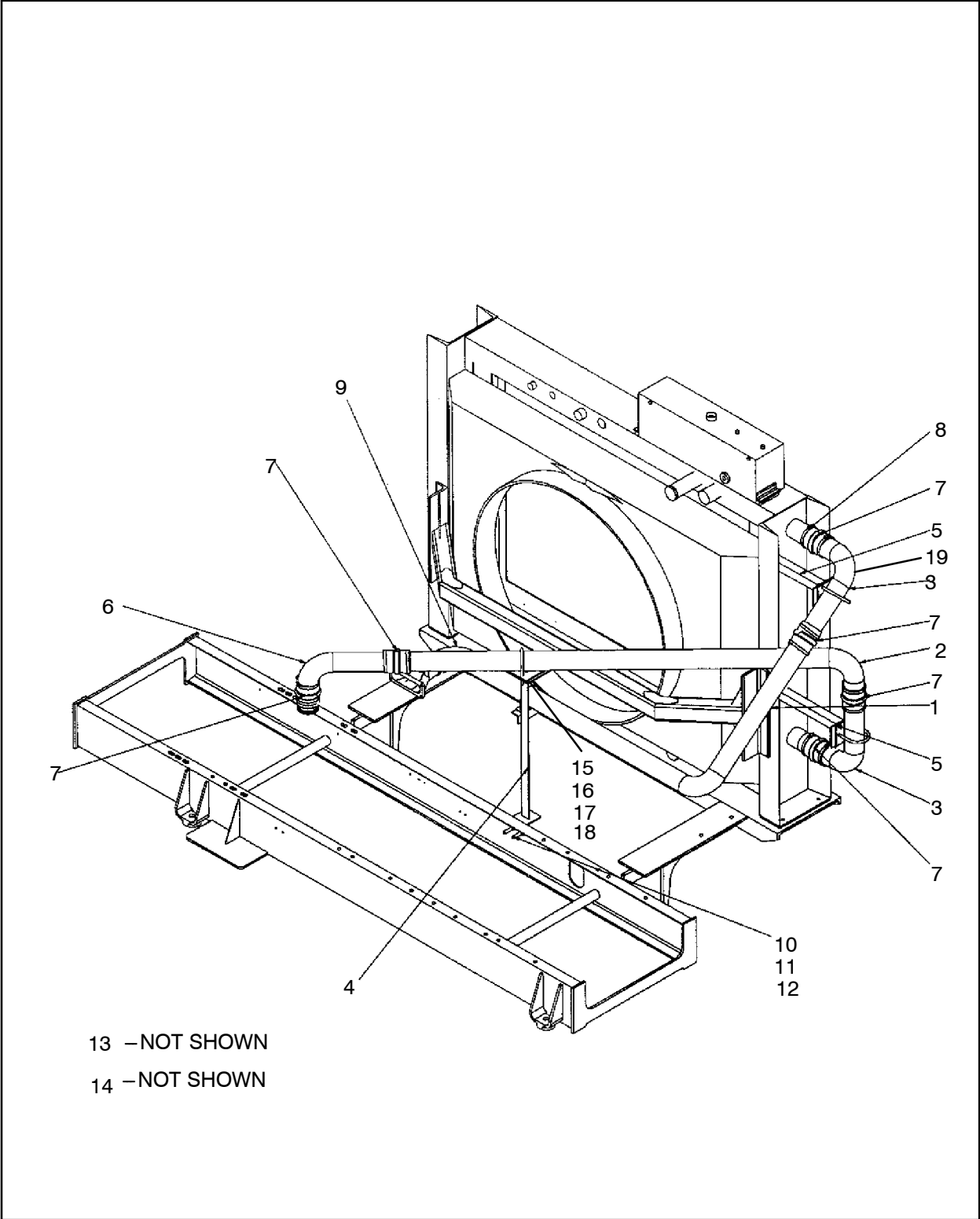


Figure 130 :PIPING,CAC CUM DML
D57639940 REV 003

57639940 PIPING,CAC CUM DML

REF.	PART NO.	QTY.	UNIT	DESCRIPTION
001	57713067	1	EA	PIPE,ENGINE INLET,CAC
002	57634347	1	EA	PIPE,ENGINE OUTLET,CAC
003	57643645	1	EA	ELBOW,ENGINE OUTLET
004	57689960	1	EA	BRACE,CAC
005	57643652	1	EA	SUPPORT,CAC PIPING (See figure 131)
006	57643645	1	EA	ELBOW,ENGINE OUTLET
007	57580516	6	EA	CONNECTOR,CHRG AIR
008	56280852	14	EA	CLAMP, CONSTANT TORQUE
009	57620957	1	EA	ELBOW,90 DEGREES,4"
010	57578718	50.00	FT	INSULATION,WRAP
011	95391173	2	EA	U-BOLT
012	95934733	4	EA	WASHER,LOCK
013	95922902	4	EA	NUT,HEX,FINISHED,PLATED
014	57667859	1	EA	SUPPORT,CAC PIPING
015	57689978	1	EA	SUPPORT,UPPER CAC (See figure 132)
016	95922902	2	EA	NUT,HEX,FINISHED,PLATED
017	95391173	1	EA	U-BOLT
018	95934733	2	EA	WASHER,LOCK
019	57633778	1	EA	ELBOW,COOLER IN/OUT,CAC

PIPING,CAC CUM DML
57639940

57643652 SUPPORT,CAC PIPING

PIPING,CAC CUM DML
57639940

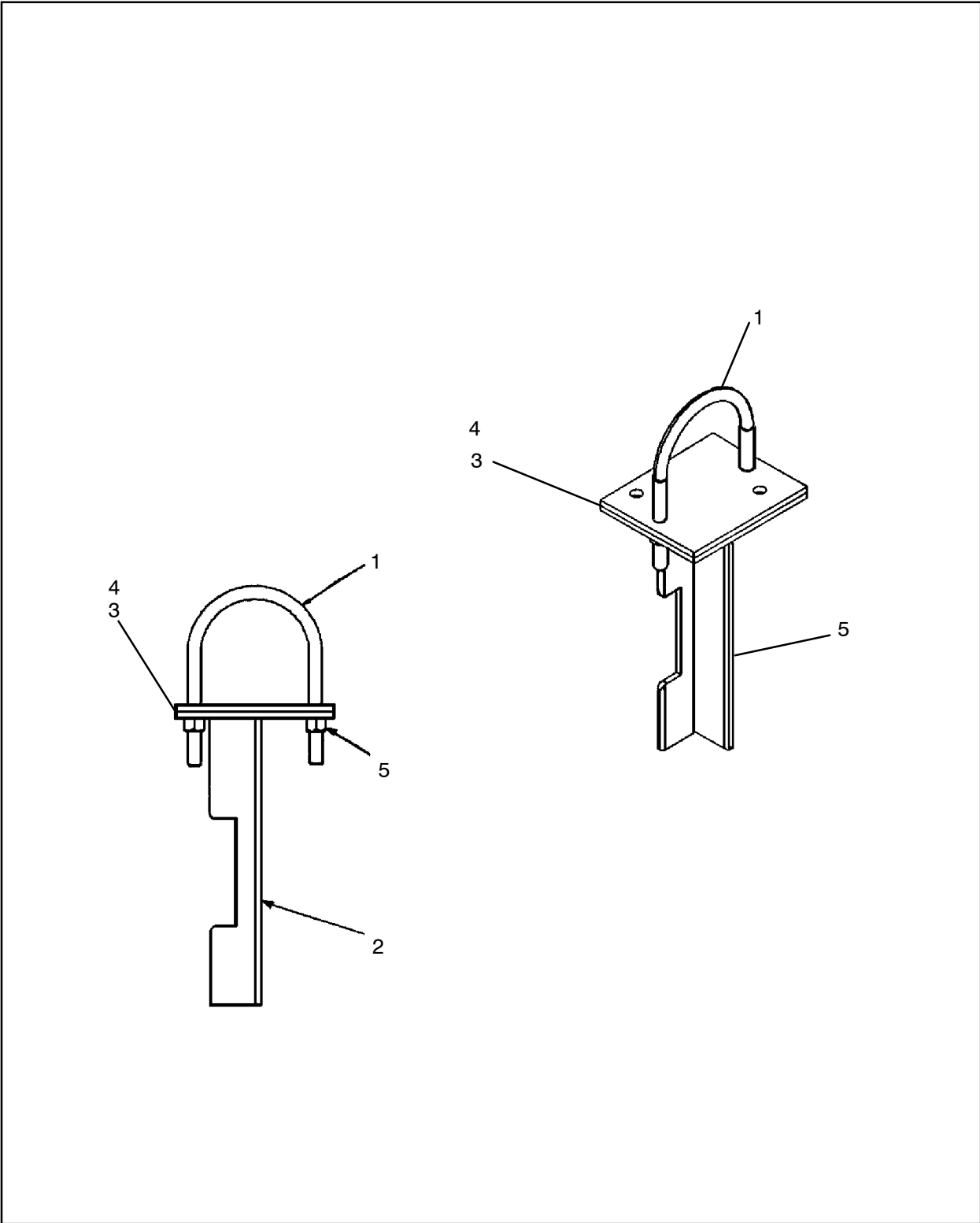


Figure 131 :SUPPORT,CAC PIPING
D57643652 REV 003

57643652 SUPPORT,CAC PIPING

REF.	PART NO.	QTY.	UNIT	DESCRIPTION
001	95391173	1	EA	U-BOLT
002	57660730	1	EA	BRACKET,ARM
003	57657744	1	EA	BRACKET,PLATE
004	57657751	1	EA	PAD,ANTI-VIBRATION
005	95922902	2	EA	NUT,HEX,FINISHED,PLATED

PIPING,CAC CUM DML
57639940

57639932 PIPING,RADIATOR CUM DML

PIPING,RADIATOR CUM DML
57639932

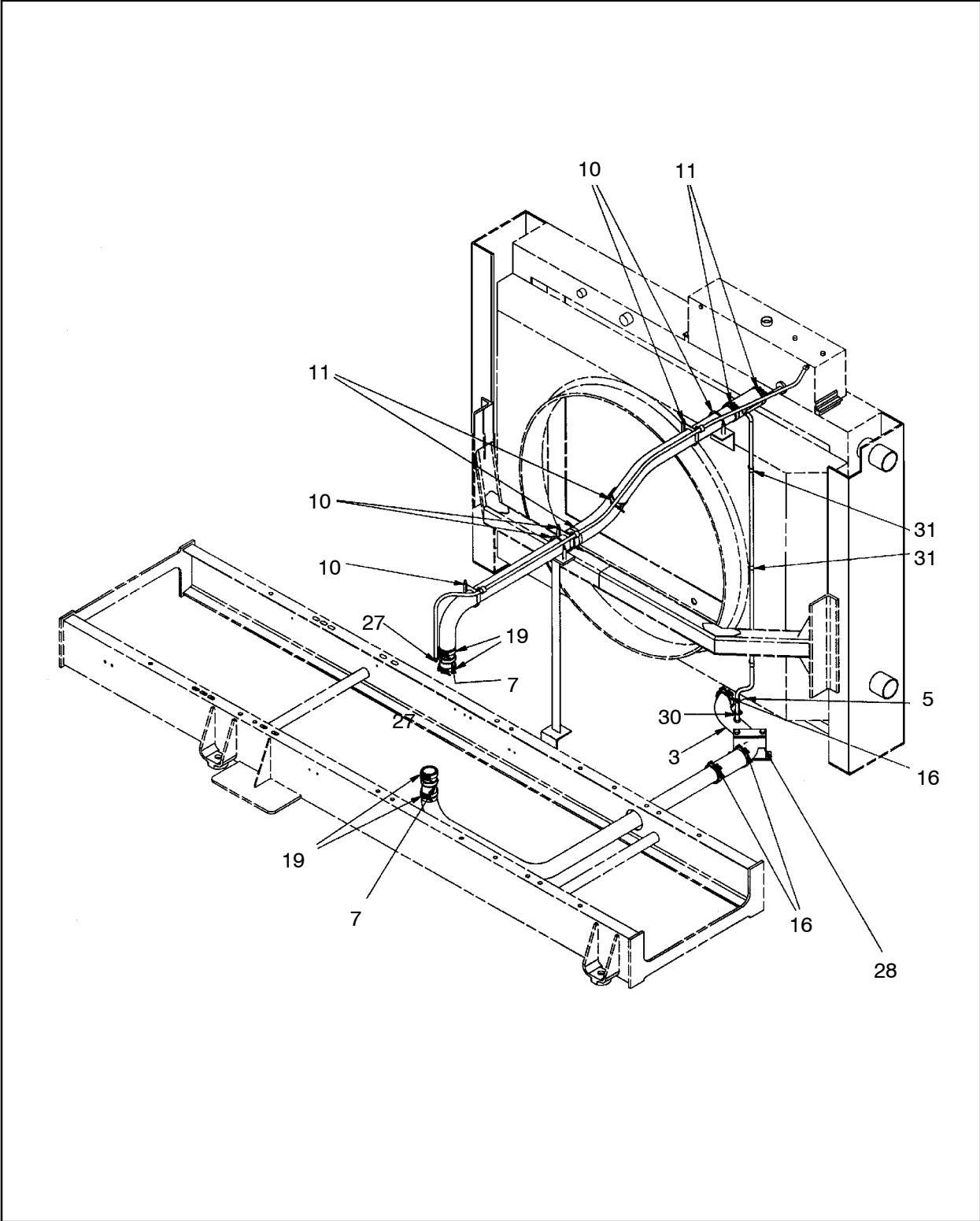
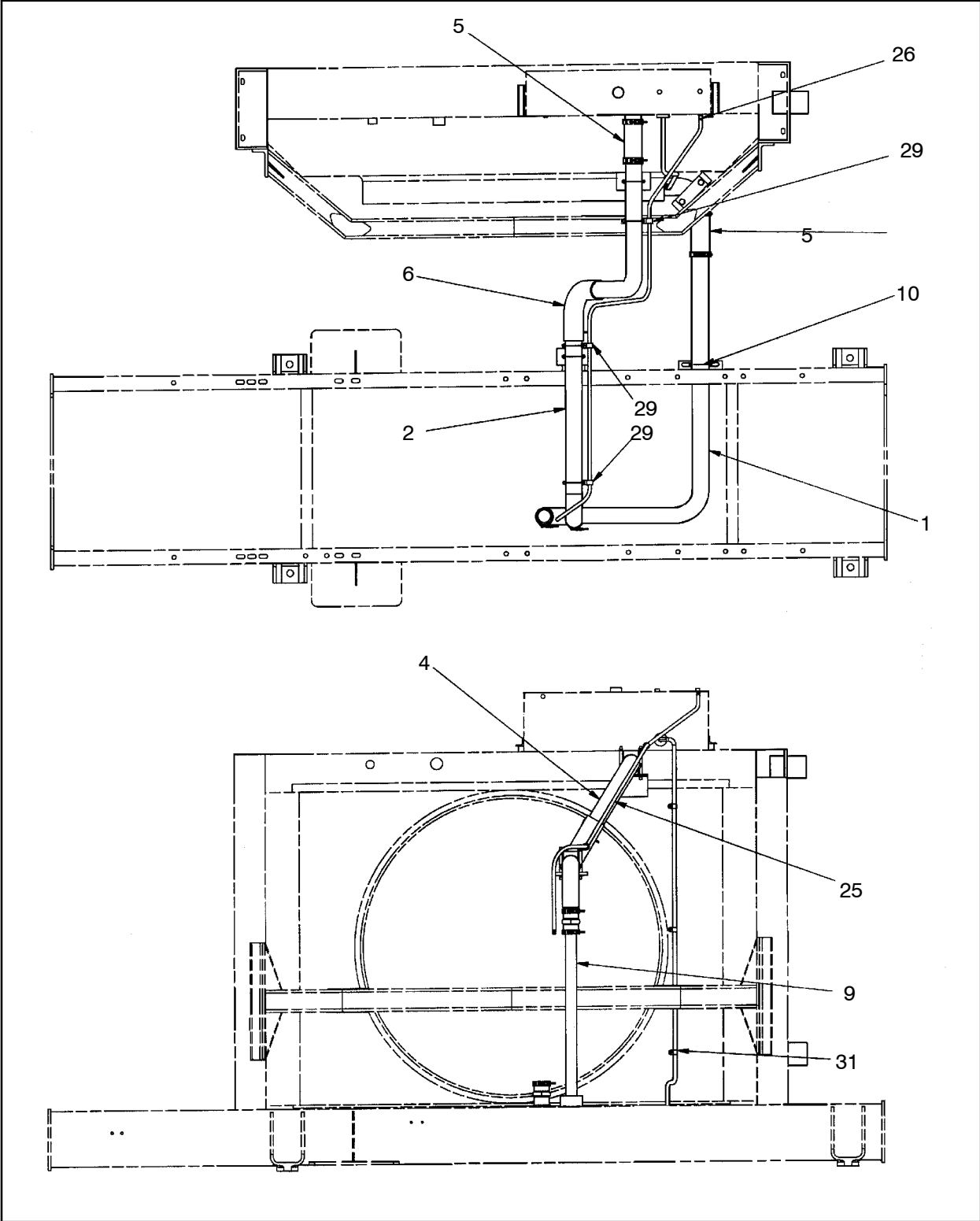


Figure 125 :PIPING,RADIATOR CUM DML
D57639932 REV 002

57639932 PIPING,RADIATOR CUM DML



PIPING,RADIATOR CUM DML
57639932

Figure 126 :PIPING,RADIATOR CUM DML
D57639932 REV 002

57639932 PIPING,RADIATOR CUM DML

PIPING,RADIATOR CUM DML
57639932

REF.	PART NO.	QTY.	UNIT	DESCRIPTION
001	57643603	1	EA	PIPE,ENGINE INLET
002	57633133	1	EA	PIPE,ENGINE OUTLET – RAD.
003	57633141	1	EA	PIPE,COOLER OUTLET
004	57643629	1	EA	PIPE,COOLER INLET
005	57213399	3	EA	HOSE, RADIATOR
006	56256522	1	EA	ELBOW,3, 90DEG,COOLANT
007	50463645	2	EA	HOSE HUMP
009	57689994	1	EA	SUPPORT,RAD/CAC.P.
	95391173	1	EA	● - U – BOLT
	95922902	2	EA	● - NUT,HEX,FINISHED,PLATED
010	52246154	6	EA	CLAMP
011	50905181	4	EA	CLAMP, HOSE
016	58173089	4	EA	CLAMP,T – BOLT
019	58173097	4	EA	CLAMP,HOSE
025	57392912	1	EA	HOSE ASSY
026	95279071	1	EA	FITTING, HYD
027	57661829	1	EA	FITTING,METRIC
028	56943699	1	EA	CLAMP ASSY – SEE 56943327
029	95301883	3	EA	CLAMP, HOSE
030	95220844	1	EA	CLAMP, HOSE
031	95351904	3	EA	CLAMP, HOSE

57639932 PIPING,RADIATOR CUM DML

PIPING,RADIATOR CUM DML 57639932

57643637 EXHAUST INSTL QSX

EXHAUST INSTL QSX
57643637

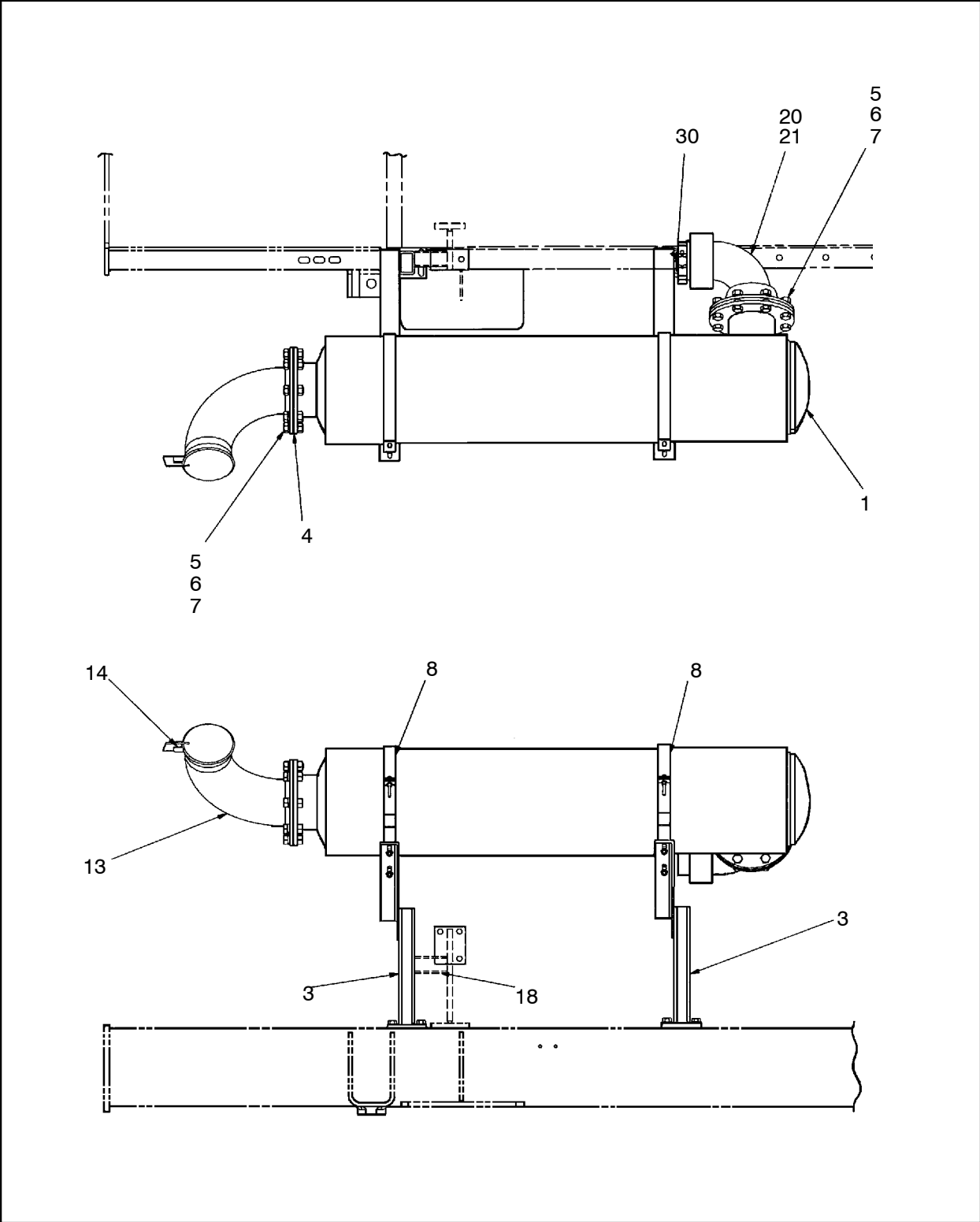
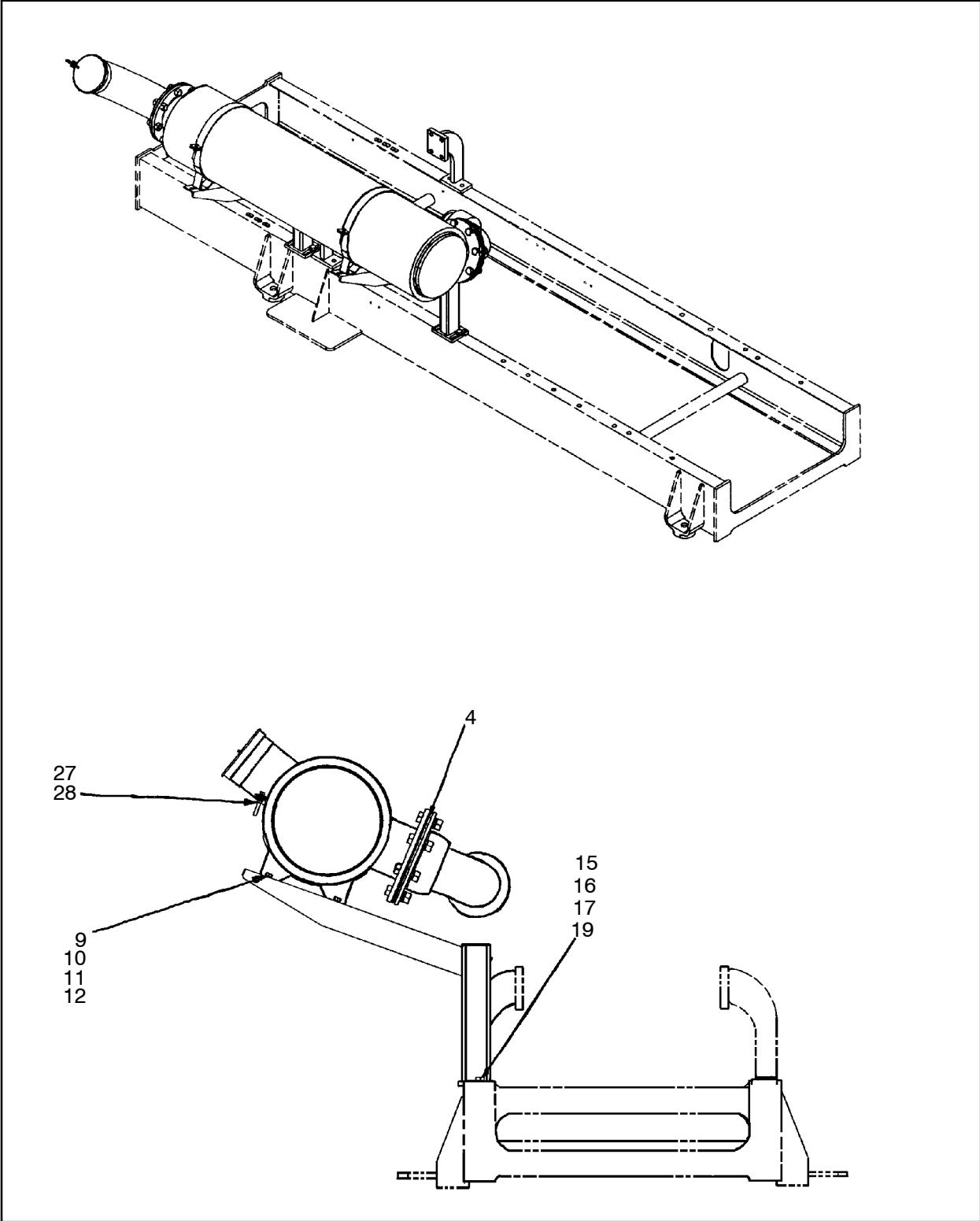


Figure 127 :EXHAUST INSTL QSX
D57643637 REV 002

57643637 EXHAUST INSTL QSX



EXHAUST INSTL QSX
57643637

Figure 128 :EXHAUST INSTL QSX
D57643637 REV 002

57643637 EXHAUST INSTL QSX

EXHAUST INSTL QSX
57643637

REF.	PART NO.	QTY.	UNIT	DESCRIPTION
001	57662124	1	EA	SILENCER
	57574196	1	EA	● - SILENCER,ALUMINIZED 6"
003	57661779	2	EA	BRACKET,SILENCER SUPPORT
004	50419670	2	EA	GASKET
005	95934378	8	EA	CAPSCREW,HEX-HEAD,PLATED
006	95934691	8	EA	WASHER,LOCK,HELICAL
007	95922928	8	EA	NUT,HEX,FINISHED
008	50279413	2	EA	BAND, MOUNTING-AIRCLEANR
009	95920674	4	EA	CAPSCREW,HEX HEAD
010	95937413	4	EA	WASHER,LOCK,HELICAL
011	95922894	4	EA	NUT,HEX,FINISHED
012	95922233	4	EA	WASHER,FLAT,WIDE
013	50622810	1	EA	PIPE, EXHAUST ELBOW
014	50469238	1	EA	CAP, WEATHER
015	95930723	4	EA	CAPSCREW,HEX HEAD
016	54573704	4	EA	WASHER,BEVEL,SQ, PLATED
017	95077590	4	EA	NUT,HEX,STOP
018	57071755	1	EA	TUBE,SQUARE
019	95094314	4	EA	WASHER,FLAT,WIDE
020	57442535	1	EA	ELBOW, FLEX-W/FLANGE
021	57704124	1	EA	BLANKET,EXHAUST ELBOW
027	95920716	2	EA	SCREW, CAP-5/16-18X2-1/2
028	95922829	2	EA	NUT,ELASTIC LOCK-5/16-18
030	52175023	1	EA	CLAMP, EXHAUST-TURBO

57643637 EXHAUST INSTL QSX

EXHAUST INSTL QSX **57643637**

57421513 MOUNTING, POWERPACK BASE

MOUNTING, POWERPACK BASE*
57421513

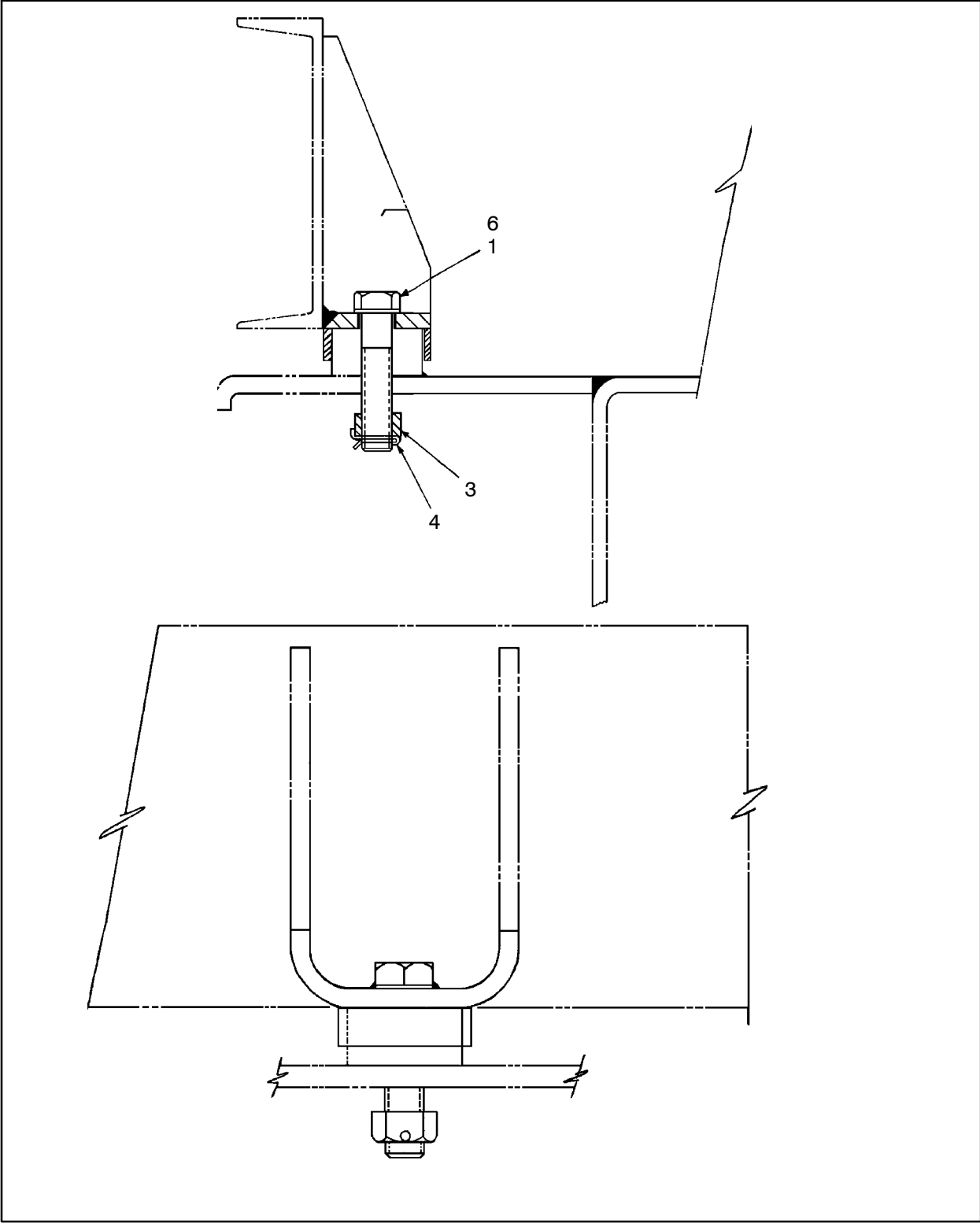


Figure 106 :MOUNTING, POWERPACK BASE
C57100497 TAB

57421513 MOUNTING, POWERPACK BASE

REF.	PART NO.	QTY.	UNIT	DESCRIPTION
001	57100513	2	EA	BOLT,BASE MG
	95105177	1	EA	•- SCREW,CAP
003	95267696	4	EA	NUT, HEX SLOTTED-1"-8
004	95093399	4	EA	PIN, COTTER-3/16 X 2
006	57474629	2	EA	BOLT,BASE MTG,1-8UNCX6"

MOUNTING, POWERPACK BASE*
57421513

AIR CLEANERS

SECTION

AIR CLEANERS

This page is intentionally blank.

SECTION

AIR CLEANERS

57639544

AIR CLNR ASM XL1200QSX15

AIR CLNR ASM XL1200QSX15
57639544

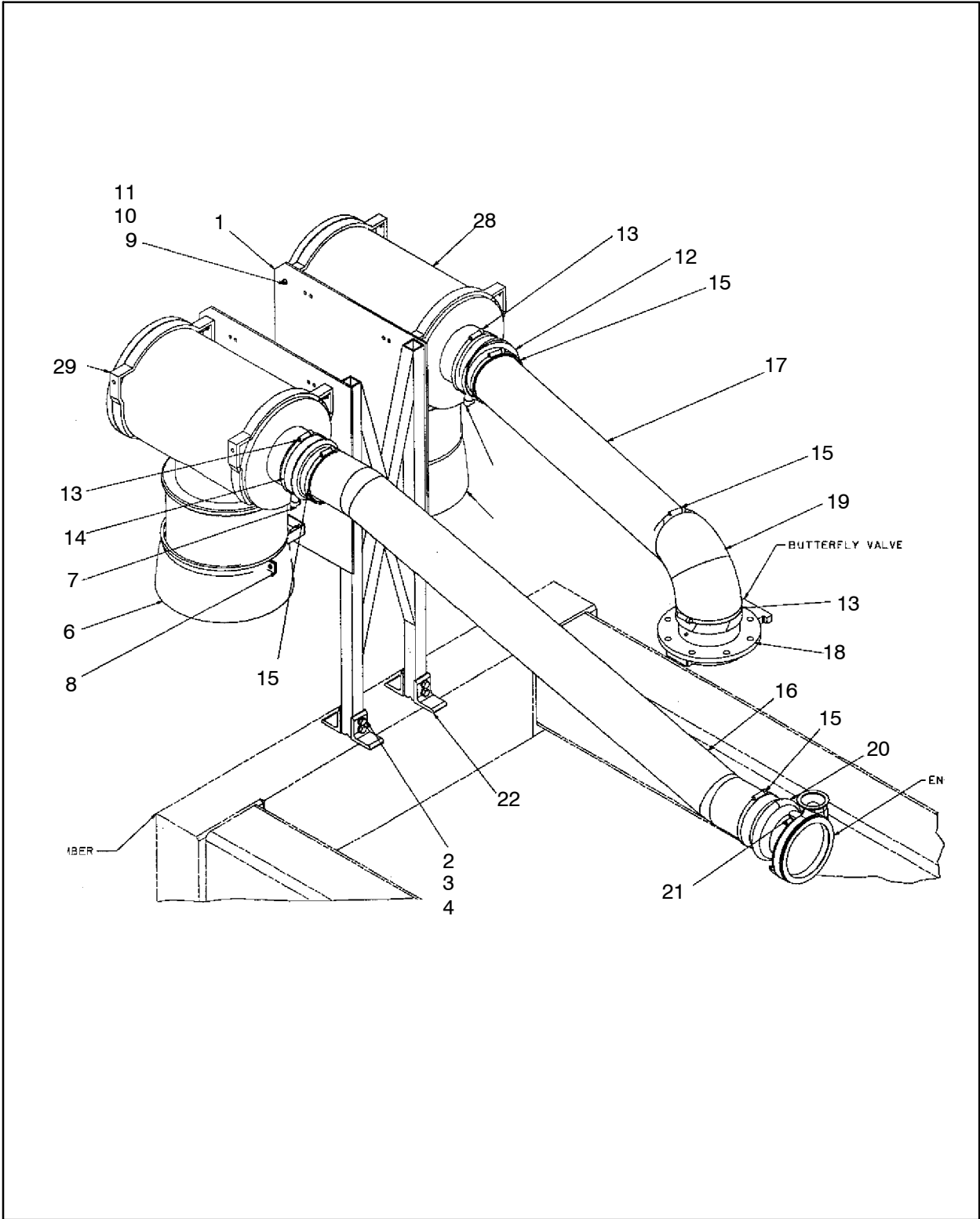
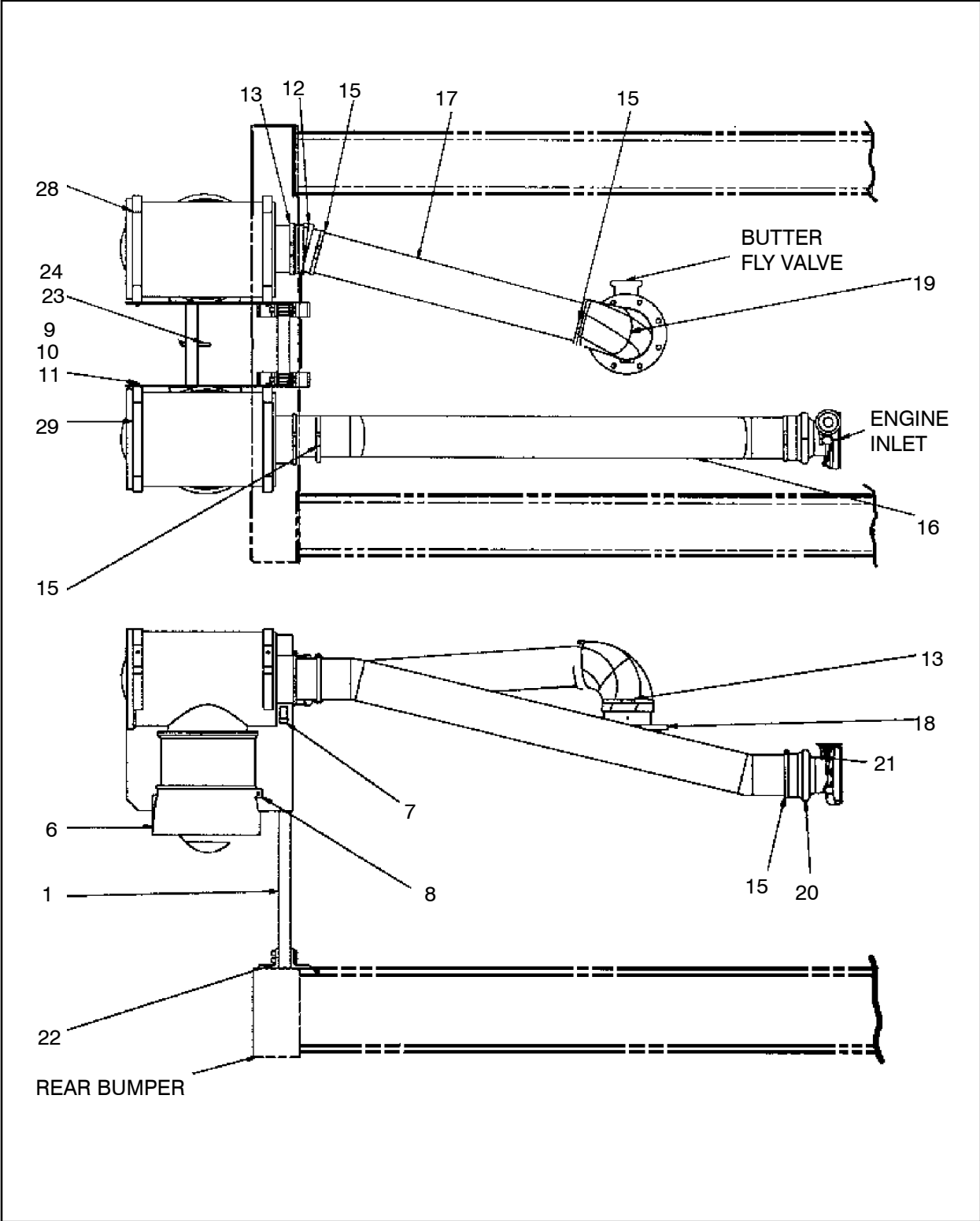


Figure 126 :AIR CLNR ASM XL1200QSX15
D57639544 REV 000

57639544 AIR CLNR ASM XL1200QSX15



AIR CLNR ASM XL1200QSX15
57639544

Figure 127 :AIR CLNR ASM XL1200QSX15
D57639544 REV 000

57639544 AIR CLNR ASM XL1200QSX15

AIR CLNR ASM XL1200QSX15
57639544

REF.	PART NO.	QTY.	UNIT	DESCRIPTION	
001	57506545	1	EA	SUPPORT, AIR CLEANER	
002	95929147	4	EA	CAPSCREW,HEX HEAD	
003	95934741	4	EA	WASHER,LOCK HELICAL	
004	95922910	4	EA	NUT,HEX, PLATED	
006	56899669	2	EA	SHROUD, INLET	
007	52265311	2	EA	INDICATOR, RESTRICTION	
008	58044744	2	EA	BAND, MOUNTING	
009	95934592	8	EA	CAPSCREW,HEX HEAD	
010	95937413	8	EA	WASHER,LOCK,HELICAL	
011	95922894	8	EA	NUT,HEX,FINISHED	
012	56940364	1	EA	HOSE HUMP	
013	57440562	5	EA	CLAMP, CONSTANT TORQUE	
014	56940364	1	EA	HOSE HUMP	
015	57439283	2	EA	CLAMP, CONSTANT TORQUE	
016	57633810	1	EA	TUBE,INTAKE ENGINE	
017	57645129	1	EA	TUBE	
018	57175457	1	EA	TUBE, AIR INLET	
019	52248440	1	EA	ELBOW, RUBBER-90 DEG	
020	58166158	1	EA	HOSE HUMP, REDUCING	
021	57440547	1	EA	CLAMP,CONSTANT TORQUE	
022	57452013	4	EA	BRACKET	
023	57452039	1	EA	GUSSET	
024	57019853	2	EA	PLATE	
028	57496556	1	EA	AIR FILTER - 08	(See figure 128)
029	57496556	1	EA	AIR FILTER - 08	(See figure 128)

57639544 AIR CLNR ASM XL1200QSX15

This page is intentionally blank.

AIR CLNR ASM XL1200QSX15 57639544

57496556 AIR FILTER – 08

AIR CLNR ASM XL1200Q SX15
57639544

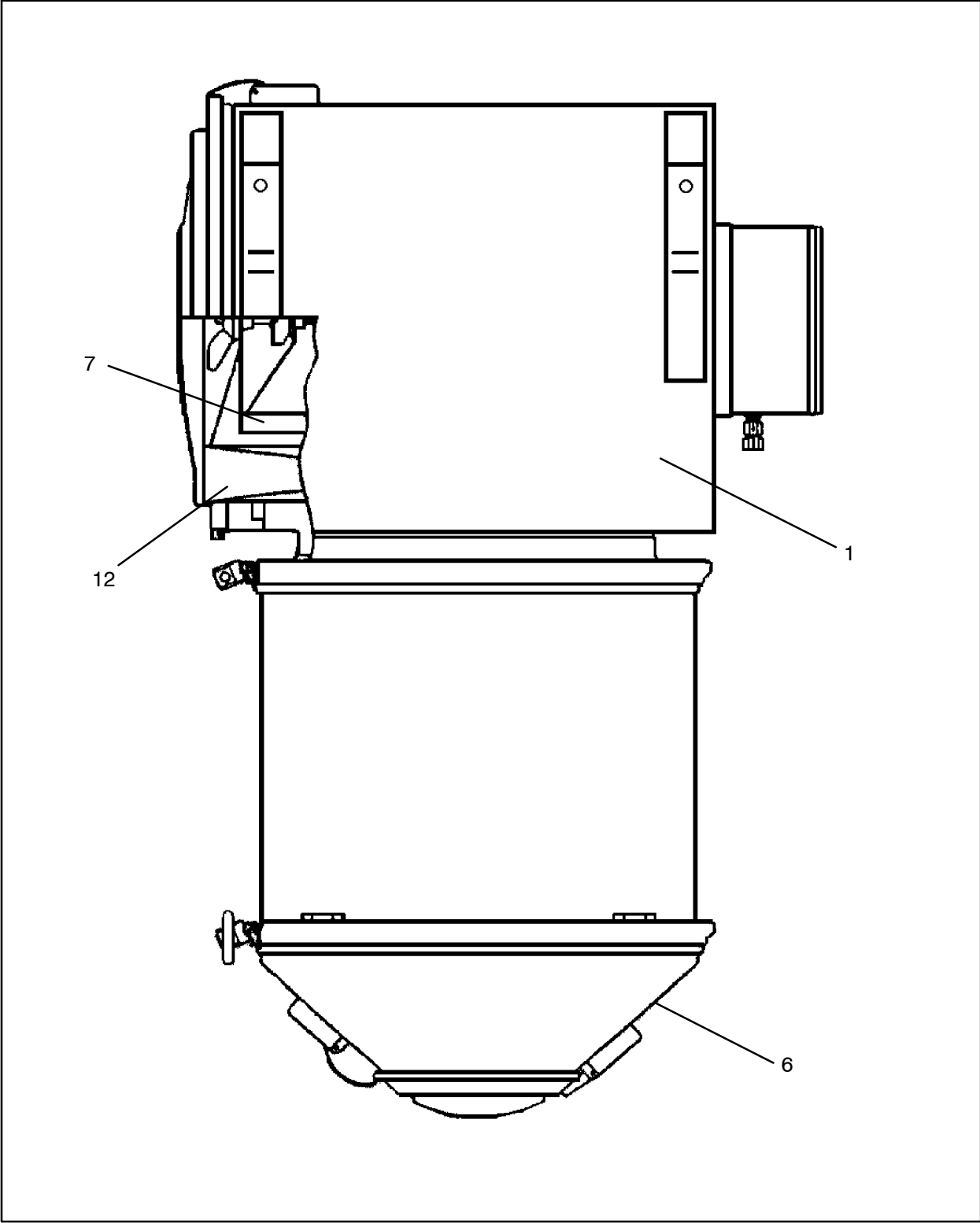


Figure 128 :AIR FILTER – 08
C57496556 REV 00

57496556 AIR FILTER – 08

REF.	PART NO.	QTY.	UNIT	DESCRIPTION
001	50817113	1	EA	CHAMBER
006	56903586	1	EA	CUP, DUST
007	52146966	1	EA	ELEMENT, SAFETY
012	52146958	1	EA	ELEMENT, PRIMARY

AIR CLNR ASM XL1200Q SX15
57639544

FUEL SYSTEM

SECTION

FUEL SYSTEM

This page is intentionally blank.

SECTION

FUEL SYSTEM

57651432 TANK & PIPING, FUEL 380GL

TANK & PIPING, FUEL 380GL
57651432

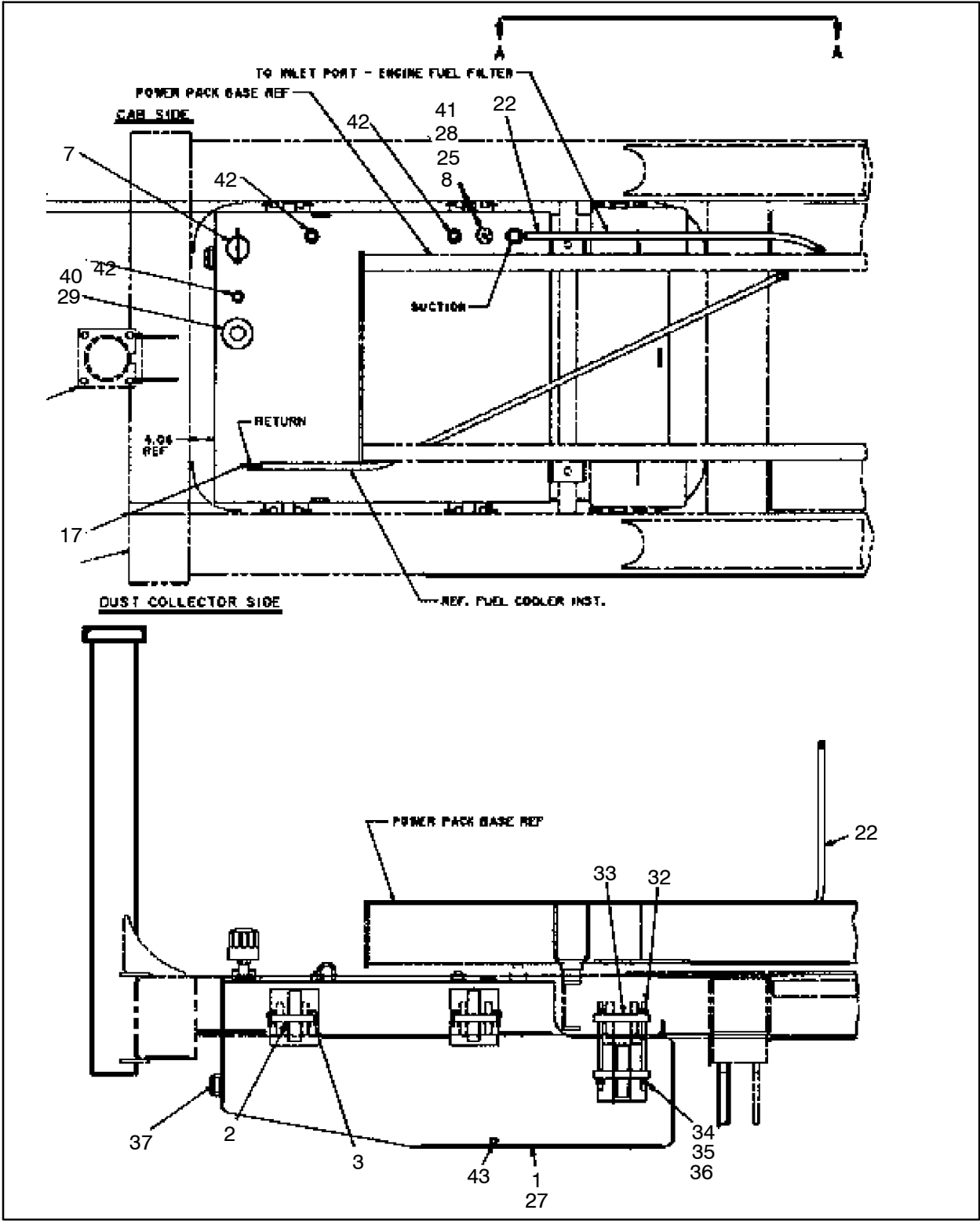


Figure 130 :TANK & PIPING, FUEL 380GL
E57651432 REV 000

57651432 TANK & PIPING,FUEL 380GL

TANK & PIPING,FUEL 380GL
57651432

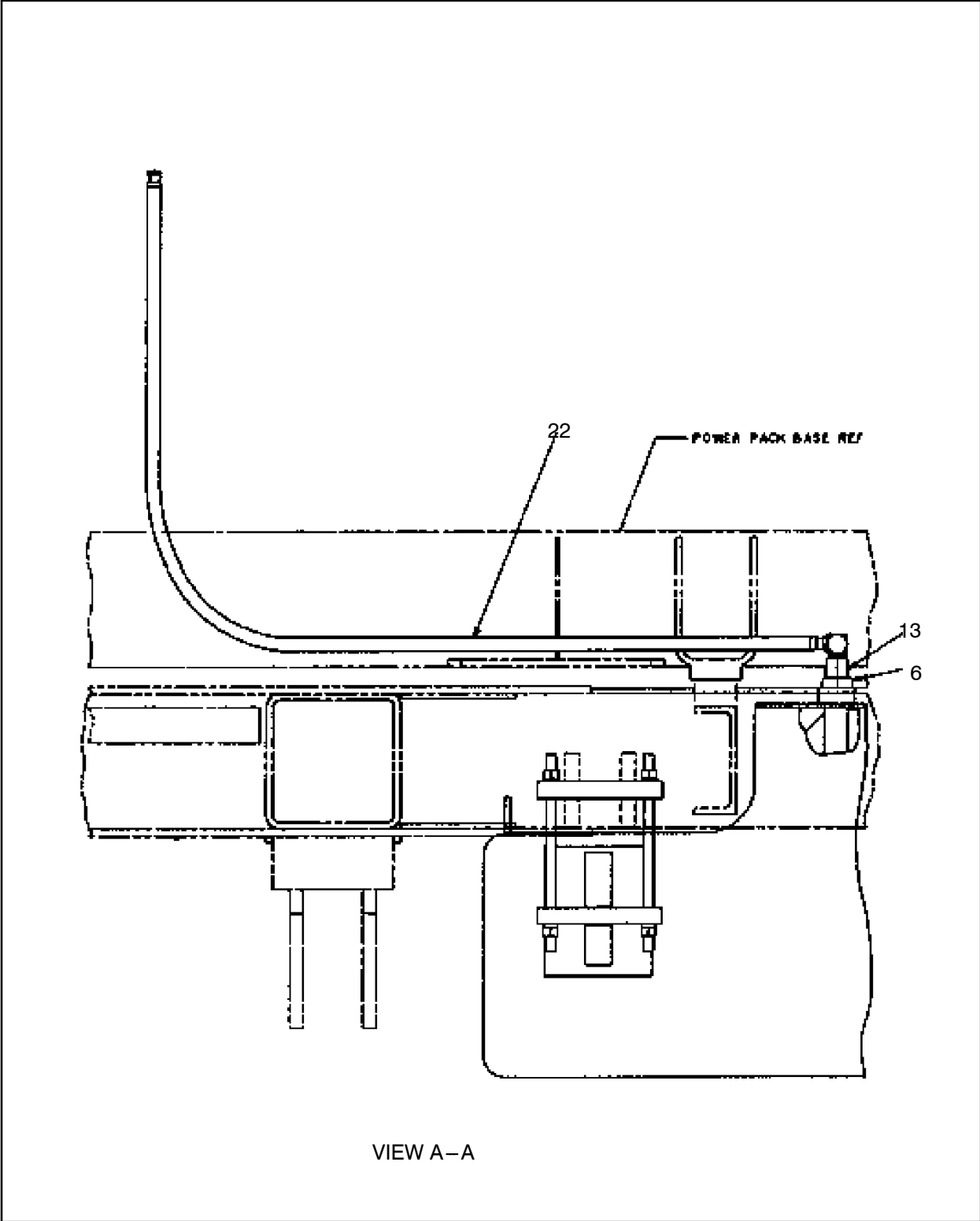


Figure 131 :TANK & PIPING,FUEL 380GL
E57651432 REV 000

57651432 TANK & PIPING,FUEL 380GL

TANK & PIPING,FUEL 380GL
57651432

REF.	PART NO.	QTY.	UNIT	DESCRIPTION
001	57533606	1	EA	TANK, FUEL-380 GAL
002	57474579	4	EA	PIN, SUPPORT-FUEL TANK
003	52266731	8	EA	PIN, COTTER
006	57475873	1	EA	TUBE, SUCTION-FUEL
	95663803	1	EA	●- FITTING, TUBE
007	57505018	1	EA	FILLER, TANK - 3 NPT
008	57534299	1	EA	SENDER, FUEL-W/FLOAT
	57533614	1	EA	●- FLOAT, LIFE CELL
013	95356978	1	EA	ADAPTER,STR,JIC/O-RING
017	95303335	1	EA	ELBOW,90 DEG STRT THRD
022	57496283	1	EA	HOSE ASSY
025	58150103	300.00	IN	CORD,14/2
027	52246774	100.00	GL	FUEL, DIESEL
028	95922118	5	EA	SCREW, RNDHD-10-24X1/2
029	57441941	1	EA	BREATHER, FILTER-3MICRON
032	57483711	4	EA	ROD, THREADED ENDS
033	57483729	4	EA	PLATE, MOUNTING-FUELTANK
034	95922928	8	EA	NUT,HEX,FINISHED
035	95934691	8	EA	WASHER,LOCK,HELICAL
036	95972246	8	EA	WASHER,FLAT,PLATED
037	95746194	1	EA	PLUG, ORING-SAE 32
040	95647798	1	EA	FITTING, HYD
041	57443962	1	EA	GASKET, SENDER
042	95249702	3	EA	PLUG, PIPE-1-1/2 SQ HEAD
043	95323465	1	EA	PLUG,HEX HEAD,STRT THRD

57651432 TANK & PIPING,FUEL 380GL

This page is intentionally blank.

TANK & PIPING,FUEL 380GL 57651432

57665697

COOLER,FUEL,P,QSX,DM45

COOLER,FUEL,P,QSX,DM45
57665697

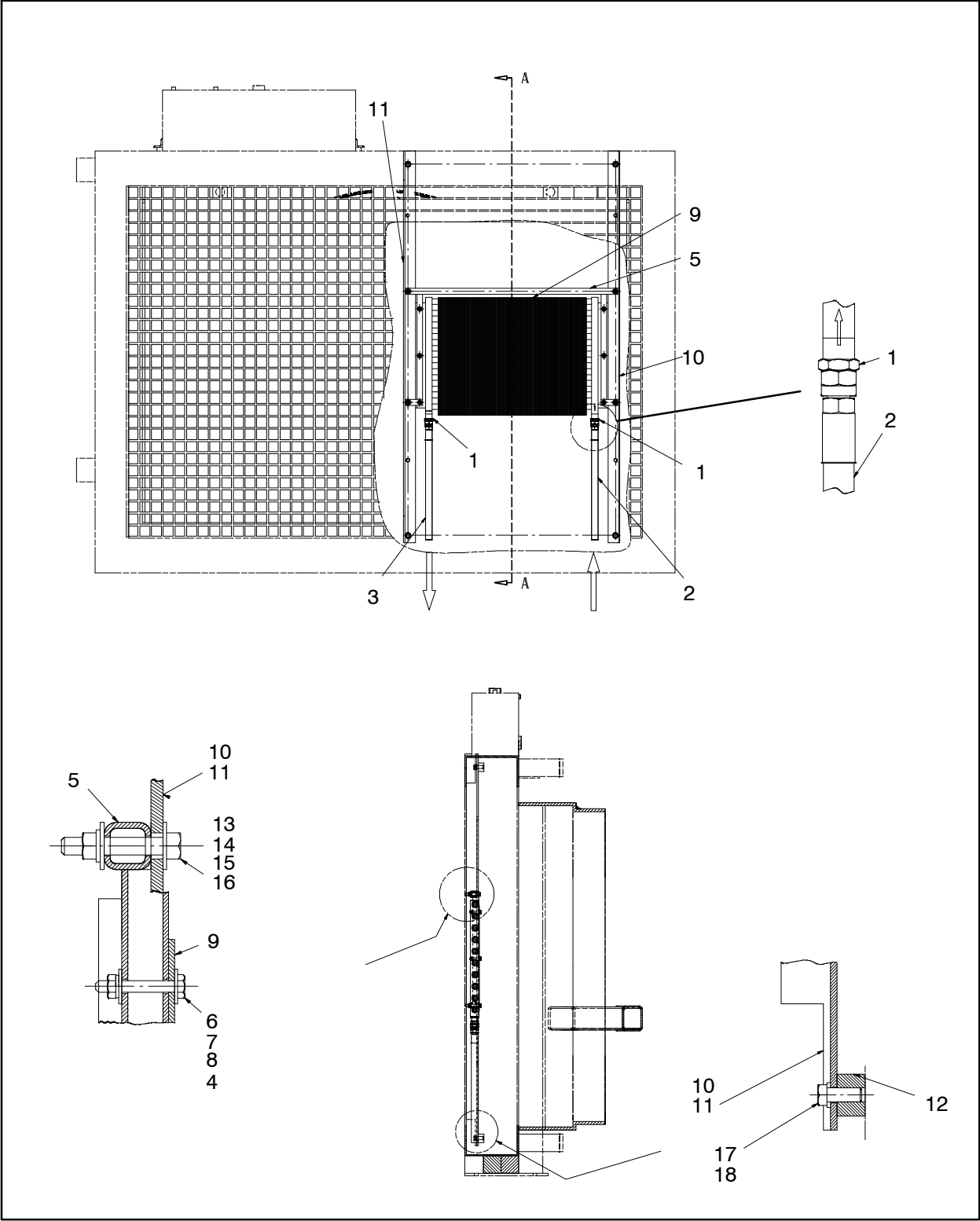


Figure 141 :COOLER,FUEL,P,QSX,DM45
D57665697 REV 004

57665697 COOLER,FUEL,P,QSX,DM45

REF.	PART NO.	QTY.	UNIT	DESCRIPTION
001	95357570	2	EA	CONNECTOR,STRT THRD
002	56992092	1	EA	HOSE ASSY
003	57004053	1	EA	HOSE ASSY
004	95934766	6	EA	WASHER,LOCK,HELICAL
005	57491078	1	EA	BRACKET, COOLER MTG.
006	95934782	6	EA	SCREW, CAP-1/4-20 X1-3/4
007	95116869	6	EA	NUT,FLEX LOCK
008	95922183	6	EA	WASHER,FLAT
009	57472698	1	EA	COOLER,FUEL,QSK19ENGINES
010	57643132	1	EA	MOUNT,FUEL COOLER,RH
011	57643116	1	EA	MOUNT,FUEL COOLER,LH
012	56987712	4	EA	BAR,TAPPED
013	95934592	4	EA	SCREW,CAP,HEX
014	95922233	4	EA	WASHER,FLAT,WIDE
015	95937413	4	EA	WASHER,LOCK,HELICAL
016	95077939	4	EA	NUT 16A4K3
017	95104147	4	EA	SCREW,CAP,HEX
018	95934733	4	EA	WASHER,LOCK

COOLER,FUEL,P,QSX,DM45

57665697

57661852 INJECTION,ETHER ASSY

INJECTION,ETHER ASSY 57661852

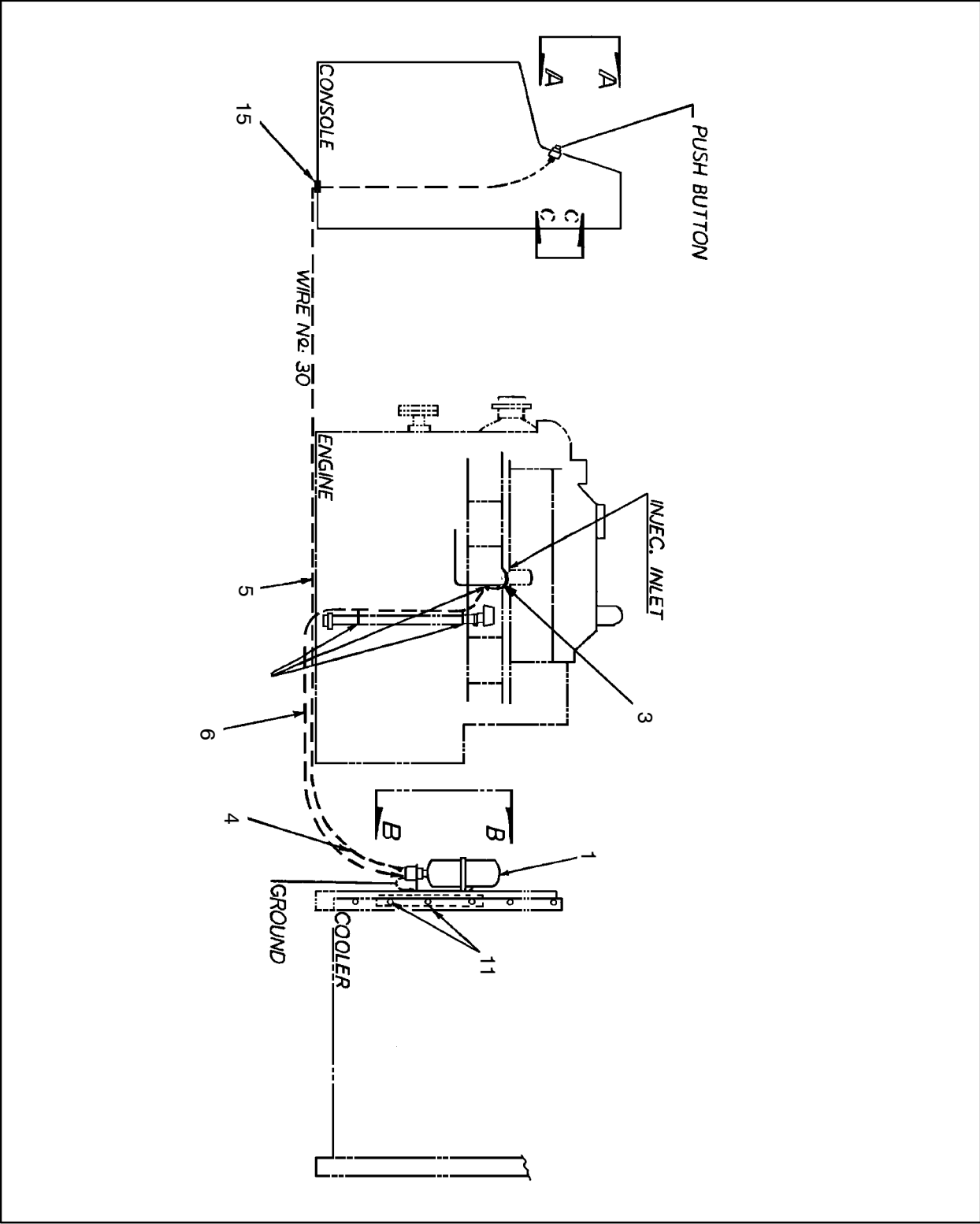


Figure 102 :INJECTION,ETHER ASSY
D57661852 REV 000

57661852 INJECTION,ETHER ASSY

INJECTION,ETHER ASSY
 57661852

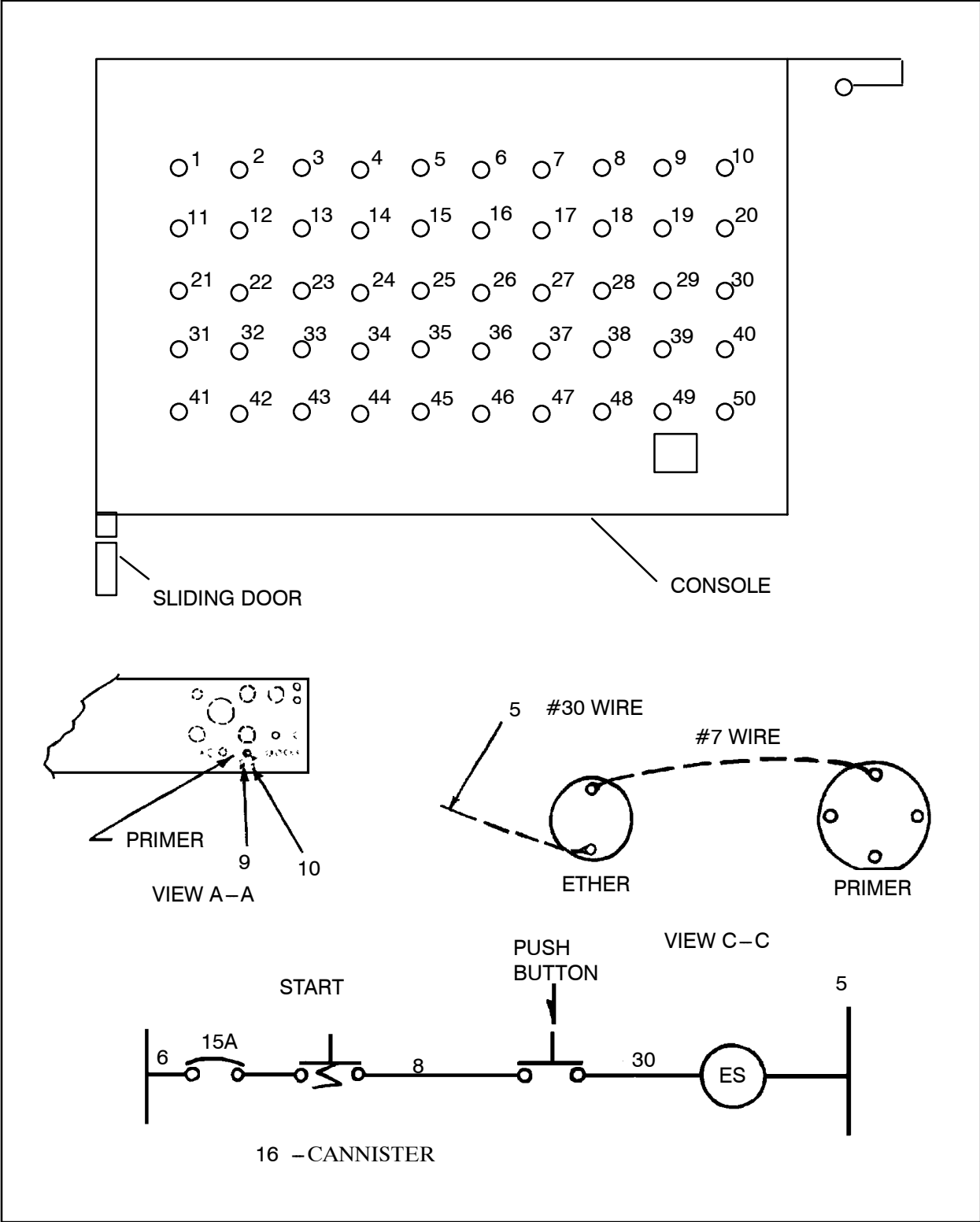


Figure 103 :INJECTION,ETHER ASSY
 D57661852 REV 000

57661852 INJECTION,ETHER ASSY

INJECTION,ETHER ASSY
57661852

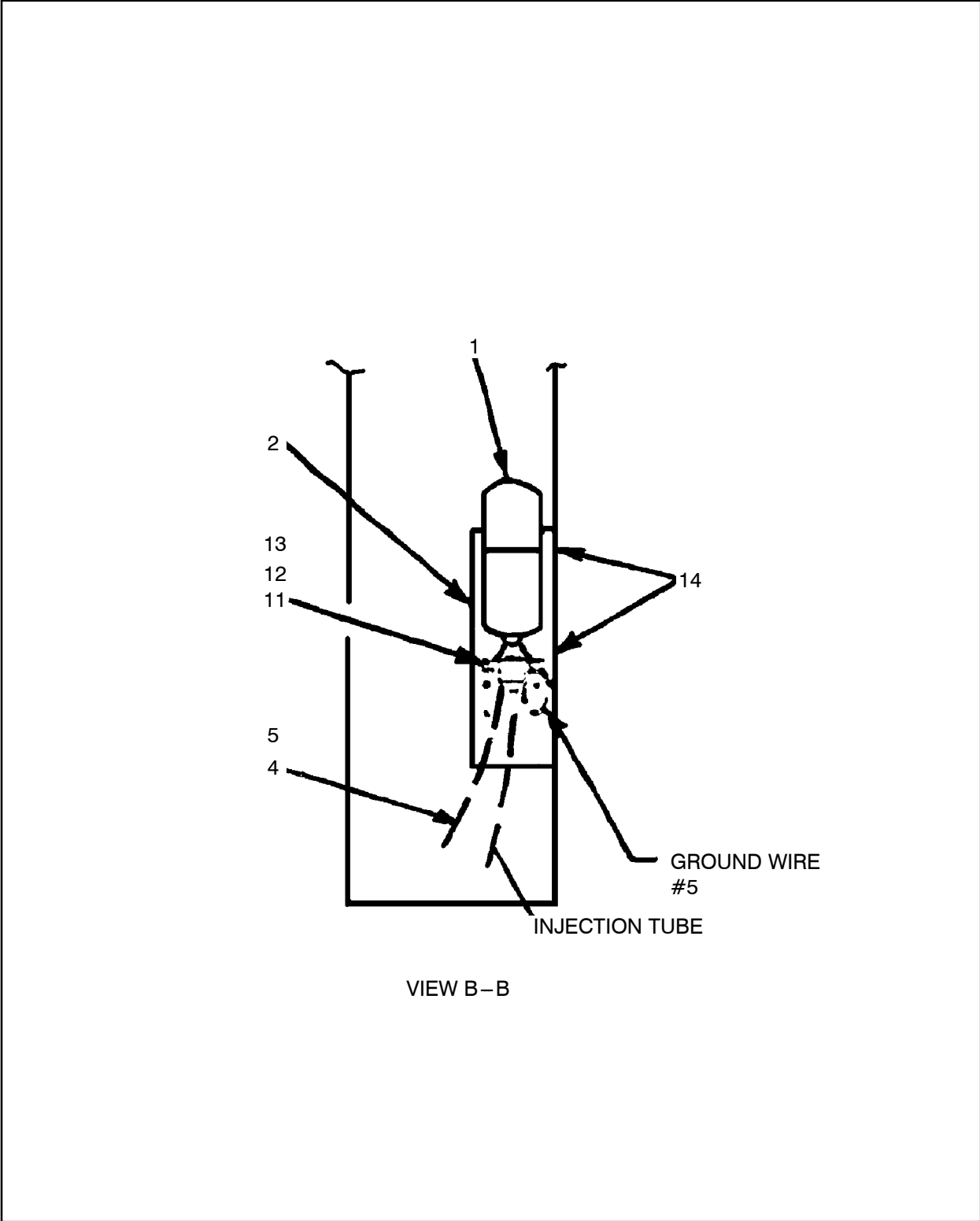


Figure 104 :INJECTION,ETHER ASSY
D57661852 REV 000

57661852 INJECTION,ETHER ASSY

REF.	PART NO.	QTY.	UNIT	DESCRIPTION
001	57047300	1	EA	STARTING KIT
	57301855	1	EA	● - VALVE,MEASURED SHOT
	57412132	1	EA	● - ELECT. PKG. -SWITCH
	57301863	1	EA	● - ATOMIZER-STARTING FLUID
002	57095853	1	EA	MOUNT, CYLINDER
003	57661837	1	EA	FITTING,METRIC
004	57358830	224.00	IN	CONDUIT, 3/8 NYLON
005	50625938	224.00	IN	WIRE, 14AWG-GREEN
006	95748802	10	EA	TIE, CABLE
009	57095846	1	EA	NAMEPLATE
010	52231271	2	EA	METAL TACK
011	95929006	2	EA	SCREW, CAP-5/16-18 X 1
012	95929782	2	EA	NUT,HEX,FINISHED
013	95934303	2	EA	WASHER,LOCK,PLATED
014	95934816	3	EA	CAPSCREW,HEX HEAD
015	57097792	1	EA	GROMMET, RUBBER
016	92473297	1	EA	CANNISTER

INJECTION,ETHER ASSY

57661852

COMPRESSOR/AIR SYSTEM

SECTION

COMPRESSOR/AIR SYSTEM

This page is intentionally blank.

SECTION

COMPRESSOR/AIR SYSTEM

57640005 AIREND ASSEMBLY

AIREND ASSEMBLY
57640005

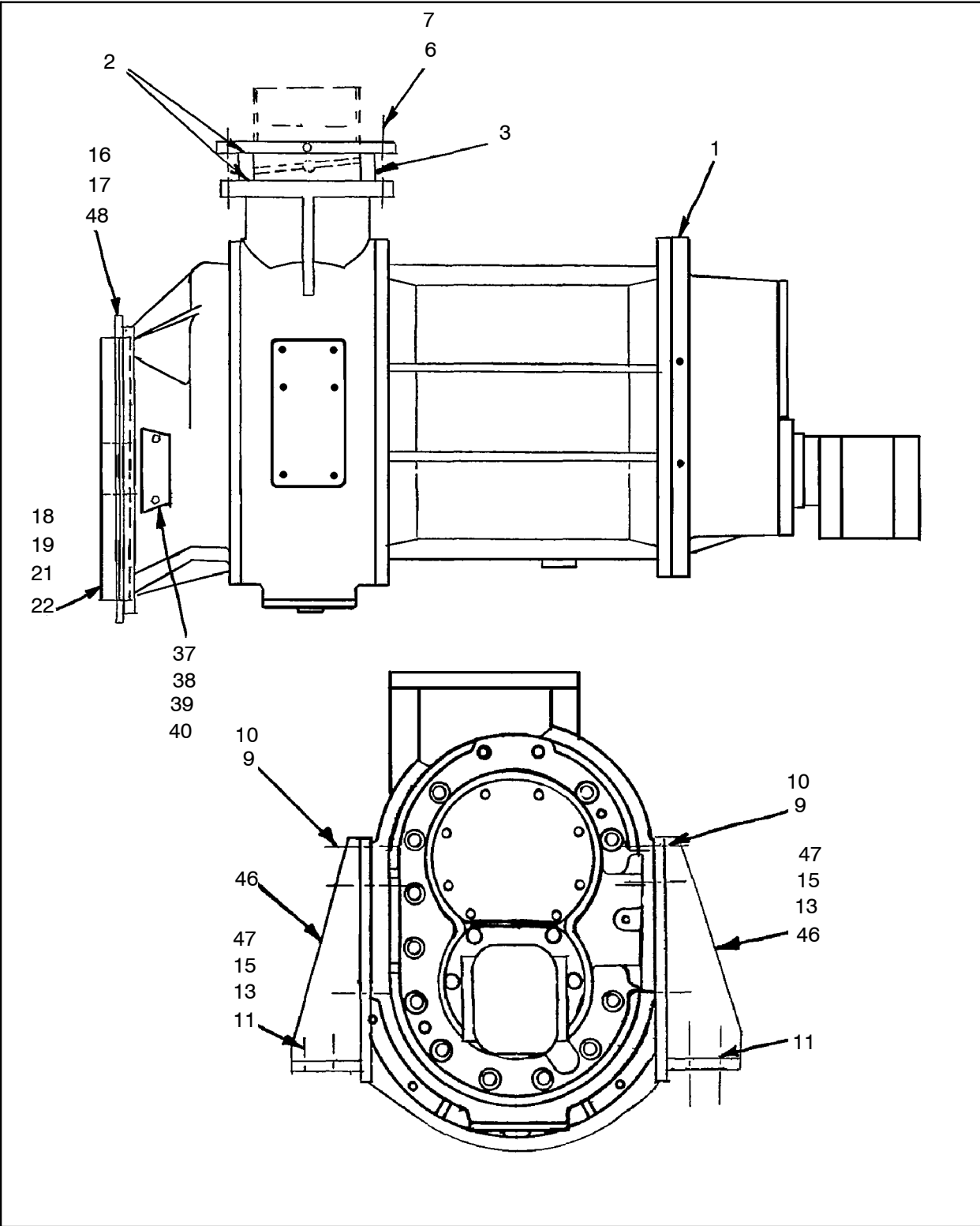


Figure 134 :AIREND ASSEMBLY
D57640005 REV 001

57640005 AIREND ASSEMBLY

REF.	PART NO.	QTY.	UNIT	DESCRIPTION
001	42467597	1	EA	AIREND-285MM/XL1400
002	95568960	2	EA	GASKET
003	57433773	1	EA	VALVE, BUTTERFLY-8 (See figure 135)
006	56946247	8	EA	SCREW, CAP-M20X2.5 X80MM
007	50759455	8	EA	WASHER, LOCK M20
009	57175564	12	EA	CAPSCREW,M16X45
010	57175556	12	EA	LOCKWASHER, M16
011	95935201	4	EA	CAPSCREW,HEX HEAD,PLATED
013	95245775	4	EA	WASHER, BEVEL-3/4
015	95077608	4	EA	NUT, HEX STOP-3/4-10
016	95934626	12	EA	CAPSCREW,HEX HEAD,PLATED
017	95081865	12	EA	WASHER, LOCK-7/16
018	95103867	12	EA	SCREW, CAP-3/8-16 X 3
019	95937413	12	EA	WASHER,LOCK,HELICAL
021	36783710	1	EA	COUPLING, ASSY
022	35307784	1	EA	BUSHING
037	52247657	1	EA	PLATE, COVER
038	95928982	2	EA	SCREW, CAP-1/4-20 X 3/4
039	95934766	2	EA	WASHER,LOCK,HELICAL
040	52263787	1	EA	GASKET
046	57295313	2	EA	BRKT,COMPRESSOR MTING
047	52270105	8	EA	SHIM SET
048	57601064	1	EA	DRAWING-285 A/E,INSTL

AIREND ASSEMBLY
57640005

57433773 VALVE, BUTTERFLY-8

AIREND ASSEMBLY
57640005

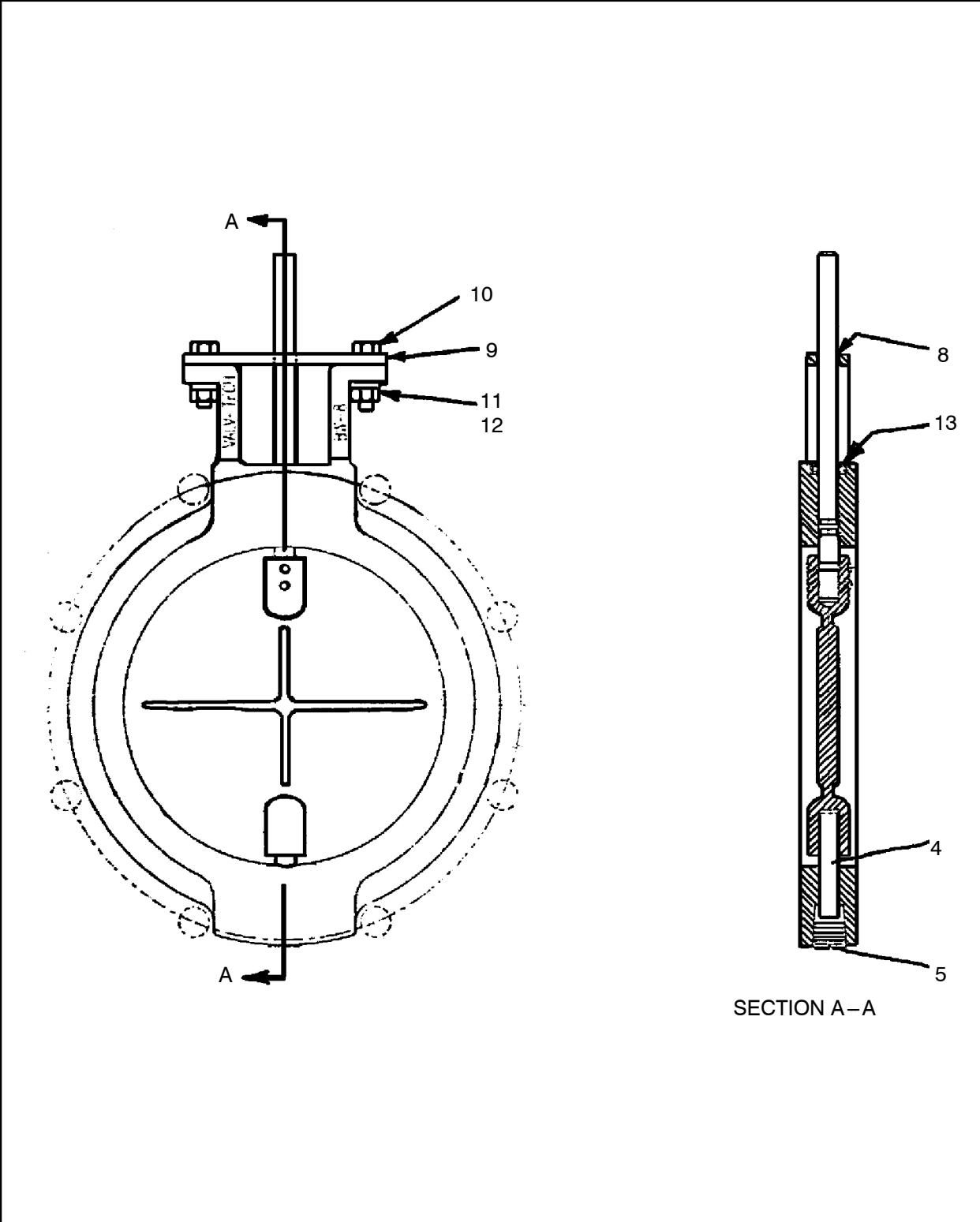


Figure 135 :VALVE, BUTTERFLY-8
D57433773 REV 00

57433773 VALVE, BUTTERFLY-8

REF.	PART NO.	QTY.	UNIT	DESCRIPTION
004	57437014	1	EA	SHAFT, BOTTOM
005	57437022	1	EA	PLUG, PIPE
008	57437055	1	EA	BEARING
009	57437063	1	EA	PLATE, BEARING
010	57437071	2	EA	BOLT, HEX HEAD
011	57437089	2	EA	WASHER, LOCK
012	57437097	2	EA	NUT, HEX
013	57437105	1	EA	SEAL, OIL

AIREND ASSEMBLY
57640005

57661803 PIPING,COMPRESSOR CNTRL

PIPING,COMPRESSOR CNTRL
57661803

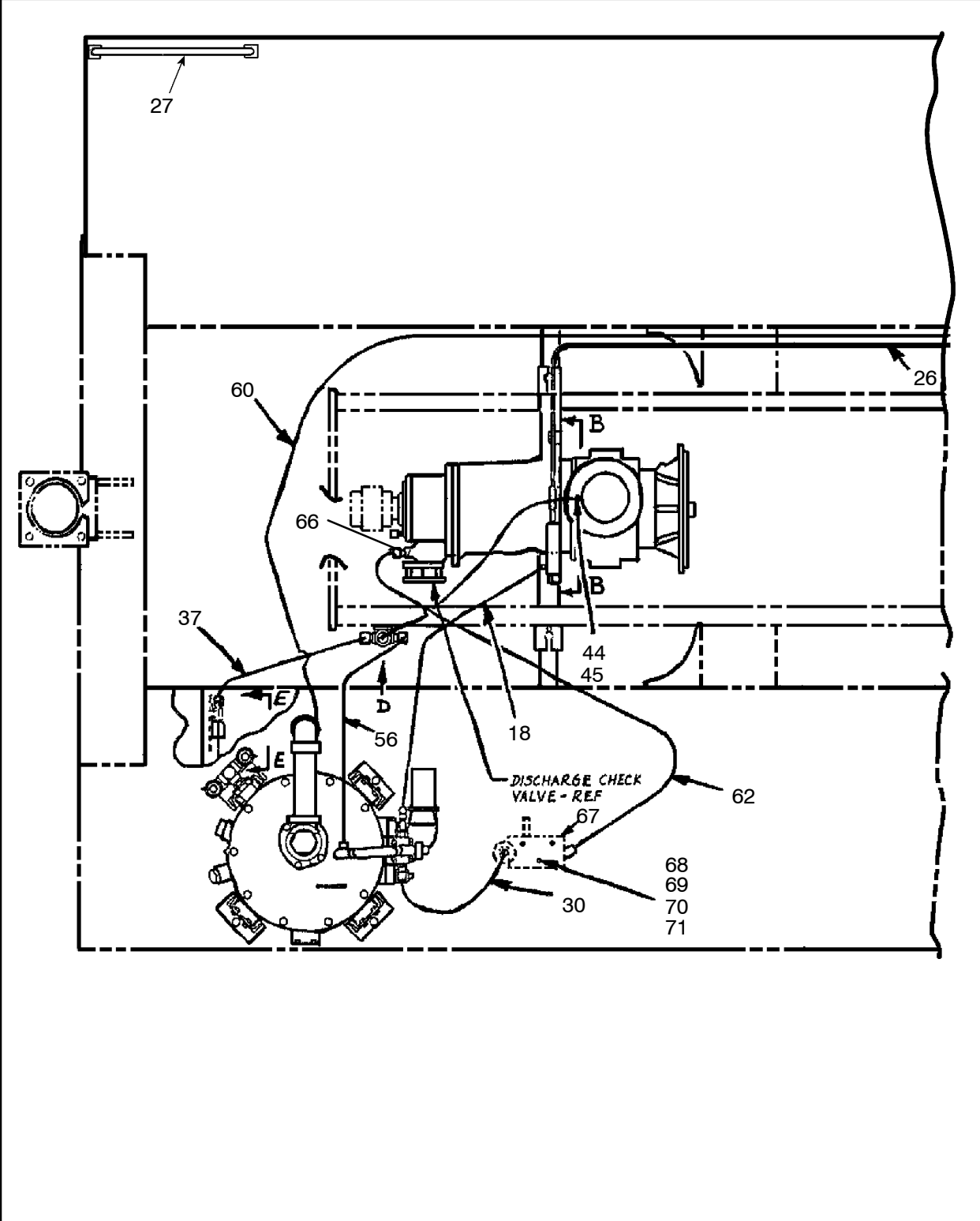
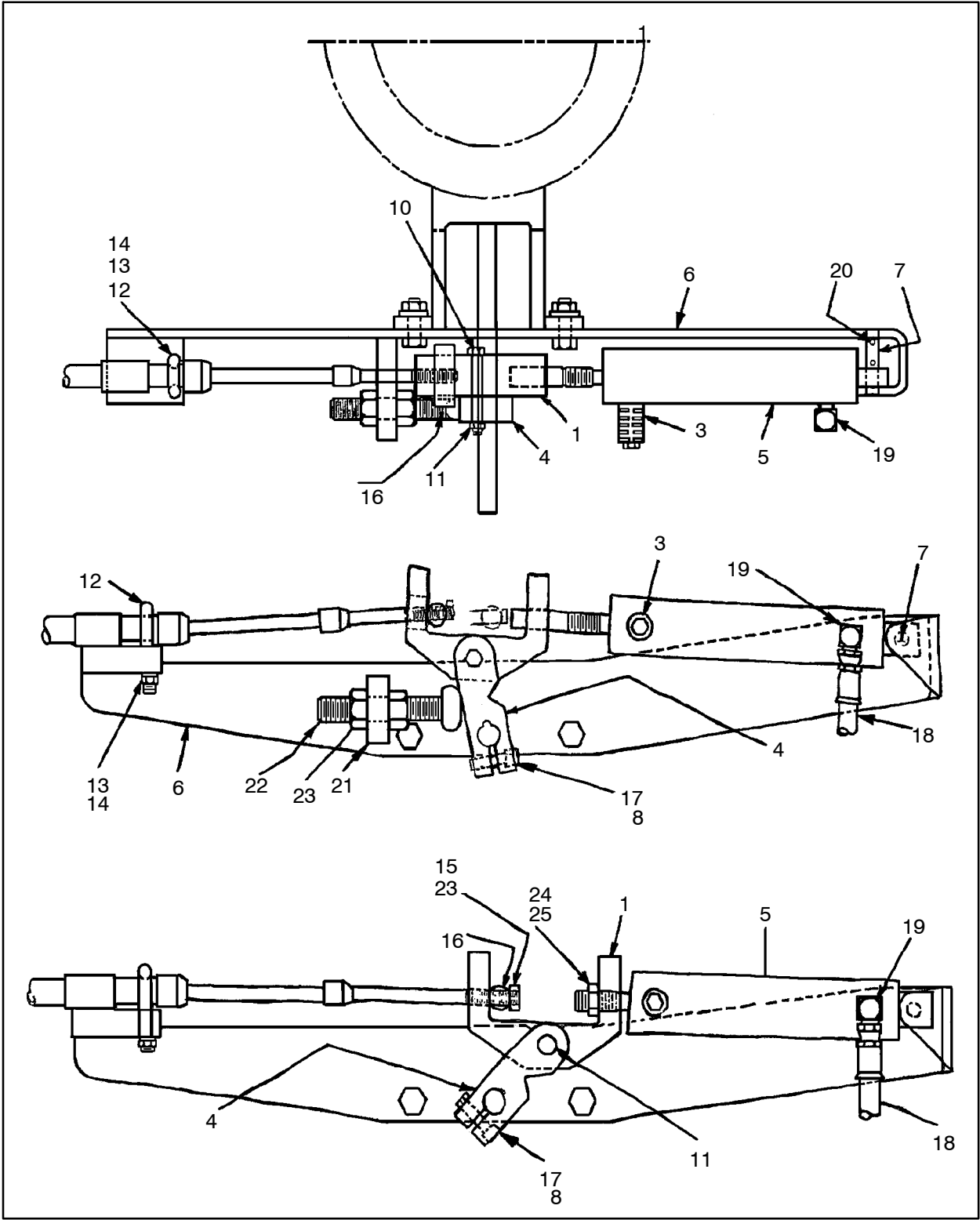


Figure 145 :PIPING,COMPRESSOR CNTRL
D57661803 REV 003

57661803 PIPING,COMPRESSOR CNTRL



PIPING,COMPRESSOR CNTRL
57661803

Figure 146 :PIPING,COMPRESSOR CNTRL
D57661803 REV 003

57661803

PIPING,COMPRESSOR CNTRL

PIPING,COMPRESSOR CNTRL
57661803

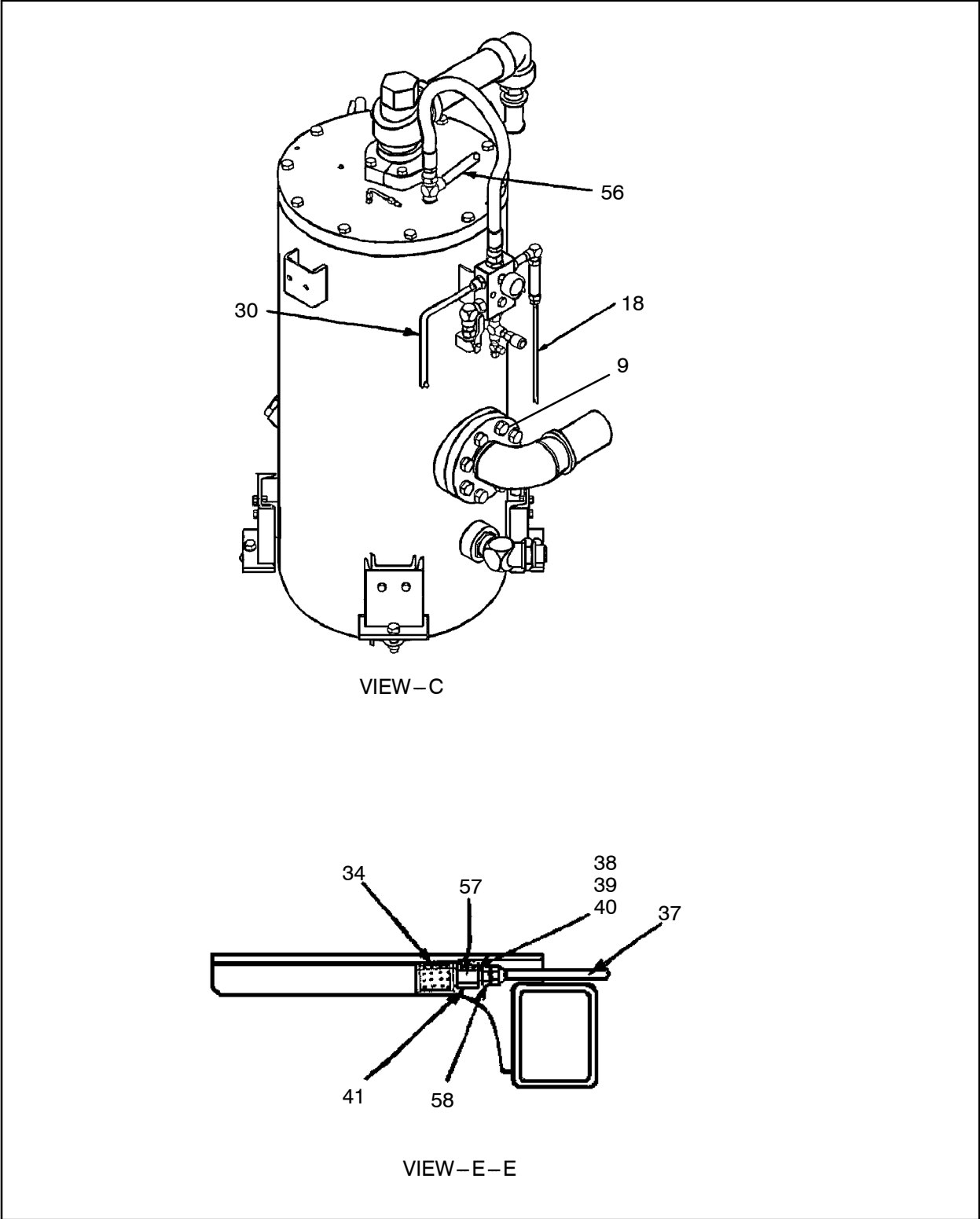
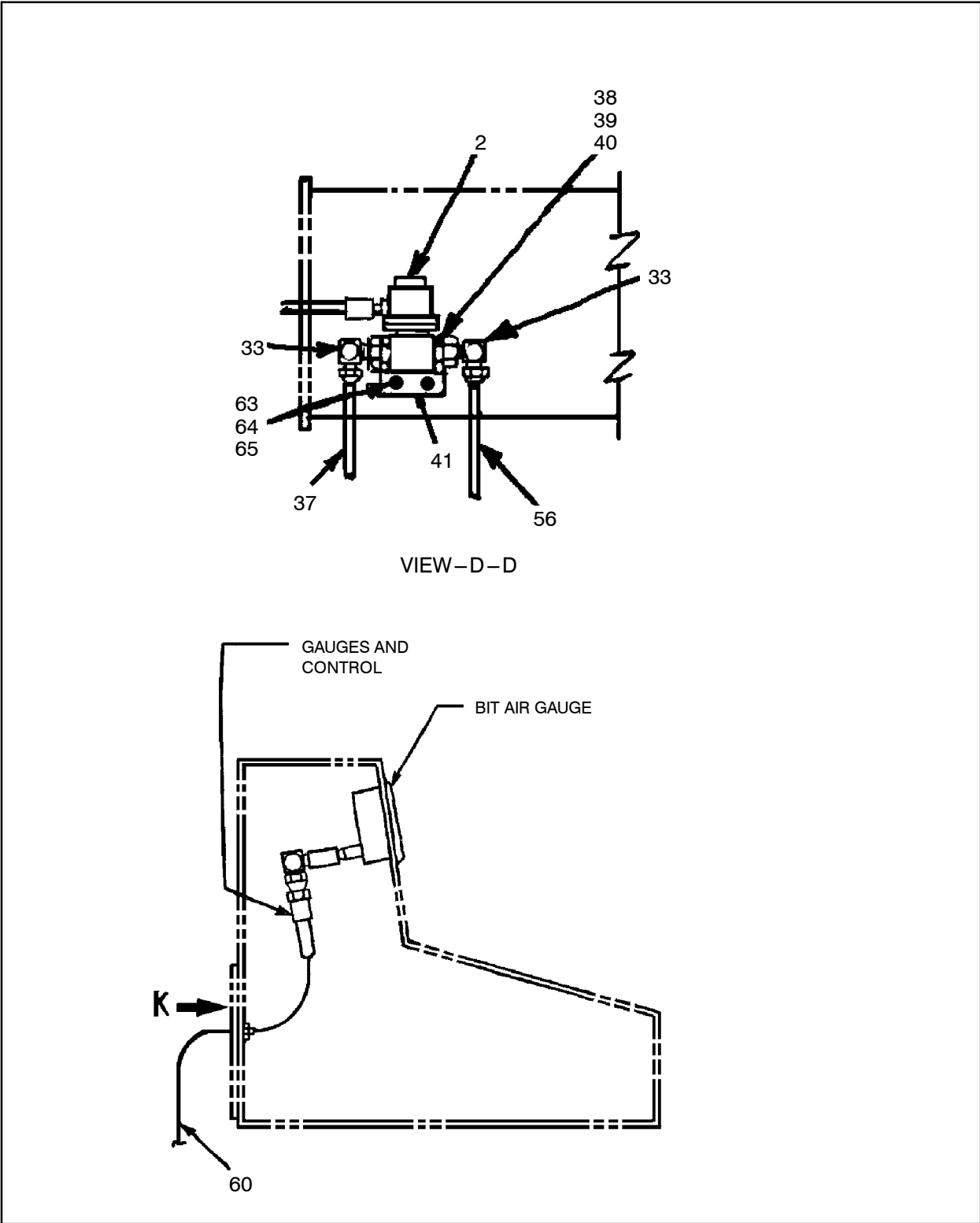


Figure 147 :PIPING,COMPRESSOR CNTRL
D57661803 REV 003

57661803 PIPING,COMPRESSOR CNTRL



PIPING,COMPRESSOR CNTRL
57661803

Figure 148 :PIPING,COMPRESSOR CNTRL
D57661803 REV 003

57661803

PIPING,COMPRESSOR CNTRL

PIPING,COMPRESSOR CNTRL
57661803

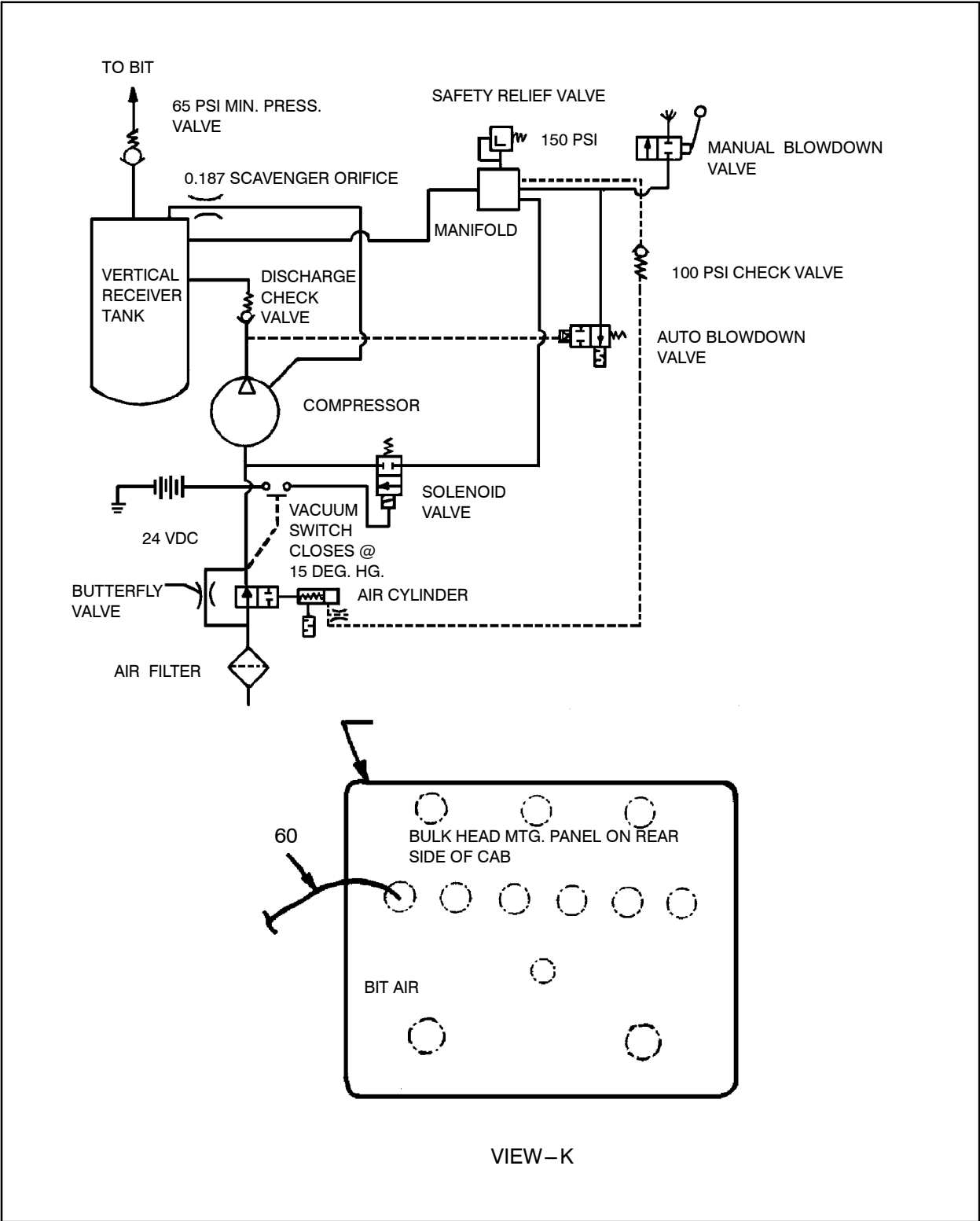


Figure 149 :PIPING,COMPRESSOR CNTRL
D57661803 REV 003

57661803 PIPING,COMPRESSOR CNTRL

REF.	PART NO.	QTY.	UNIT	DESCRIPTION
001	57079030	1	EA	LINK
002	57315111	1	EA	VALVE, SOLENOID N.C.
003	52142031	1	EA	MUFFLER,FILTER
004	35299825	1	EA	LEVER
005	57057580	1	EA	CYLINDER,AIR
006	57217655	1	EA	BRACKET
007	57035412	1	EA	PIN, CYLINDER
008	95934766	1	EA	WASHER,LOCK,HELICAL
009	36865756	1	EA	SWITCH,THERMAL
010	95391066	1	EA	CAPSCREW
011	95477873	1	EA	NUT, HEX LOCK-7/16-14
012	57079022	1	EA	U-BOLT
013	95929782	2	EA	NUT,HEX,FINISHED
014	95934303	2	EA	WASHER,LOCK,PLATED
015	95280863	1	EA	NUT,HEX,JAM
016	57079048	1	EA	PIN,ROD END
017	95067625	1	EA	CAPSCREW
018	56964299	1	EA	HOSE ASSY
019	57045346	1	EA	FITTING, MOD.
020	95002663	2	EA	PIN, COTTER
021	57080731	1	EA	PLATE, TAPPED
022	95993663	1	EA	CAPSCREW,HEX
023	95098356	2	EA	NUT, HEX JAM-3/8-24
024	95245288	1	EA	NUT,HEX JAM-7/16-20
025	56784267	1	EA	ADHESIVE
026	57537607	1	EA	CABLE,CONTROL
027	57424418	1	EA	HANDRAIL ASSY-50 CNTDIST
030	57626830	1	EA	HOSE ASSEMBLY
033	95279543	2	EA	FITTING,HYD
034	35144385	1	EA	MUFFLER
037	57002859	1	EA	HOSE ASSY
038	95931564	4	EA	NUT,HEX,FINISHED
039	95934766	4	EA	WASHER,LOCK,HELICAL
040	52231792	2	EA	U-BOLT
041	52231818	1	EA	BRACKET

PIPING,COMPRESSOR CNTRL

57661803

57661803 PIPING,COMPRESSOR CNTRL

REF.	PART NO.	QTY.	UNIT	DESCRIPTION
044	57315137	1	EA	SWITCH, VACUUM
045	95655064	1	EA	ADAPTER,FEMALE,STRT THRD
056	58159179	1	EA	HOSE ASSY
057	57708182	1	EA	BRACKET,MUFFLER,MOUNT
	95451209	1	EA	● - COUPLING
058	95279337	1	EA	FITTING,HYD
060	57590929	1	EA	HOSE
062	57036618	1	EA	HOSE ASSY
063	95937413	4	EA	WASHER,LOCK,HELICAL
064	95920674	4	EA	CAPSCREW,HEX
065	95922894	4	EA	NUT,HEX,FINISHED
066	95419594	1	EA	CONNECTOR,STRT THRD
067	57546202	1	EA	VALVE BLOWDOWN ASSY
068	95103891	2	EA	SCREW, CAP-3/8-16 X3-3/4
069	95922233	2	EA	WASHER,FLAT,WIDE
070	95922894	2	EA	NUT,HEX,FINISHED
071	95937413	2	EA	WASHER,LOCK,HELICAL

(See figure 150)

PIPING,COMPRESSOR CNTRL
57661803

57661803 PIPING,COMPRESSOR CNTRL



PIPING,COMPRESSOR CNTRL 57661803

57546202 VALVE BLOWDOWN ASSY

PIPING, COMPRESSOR CNTRL
57661803

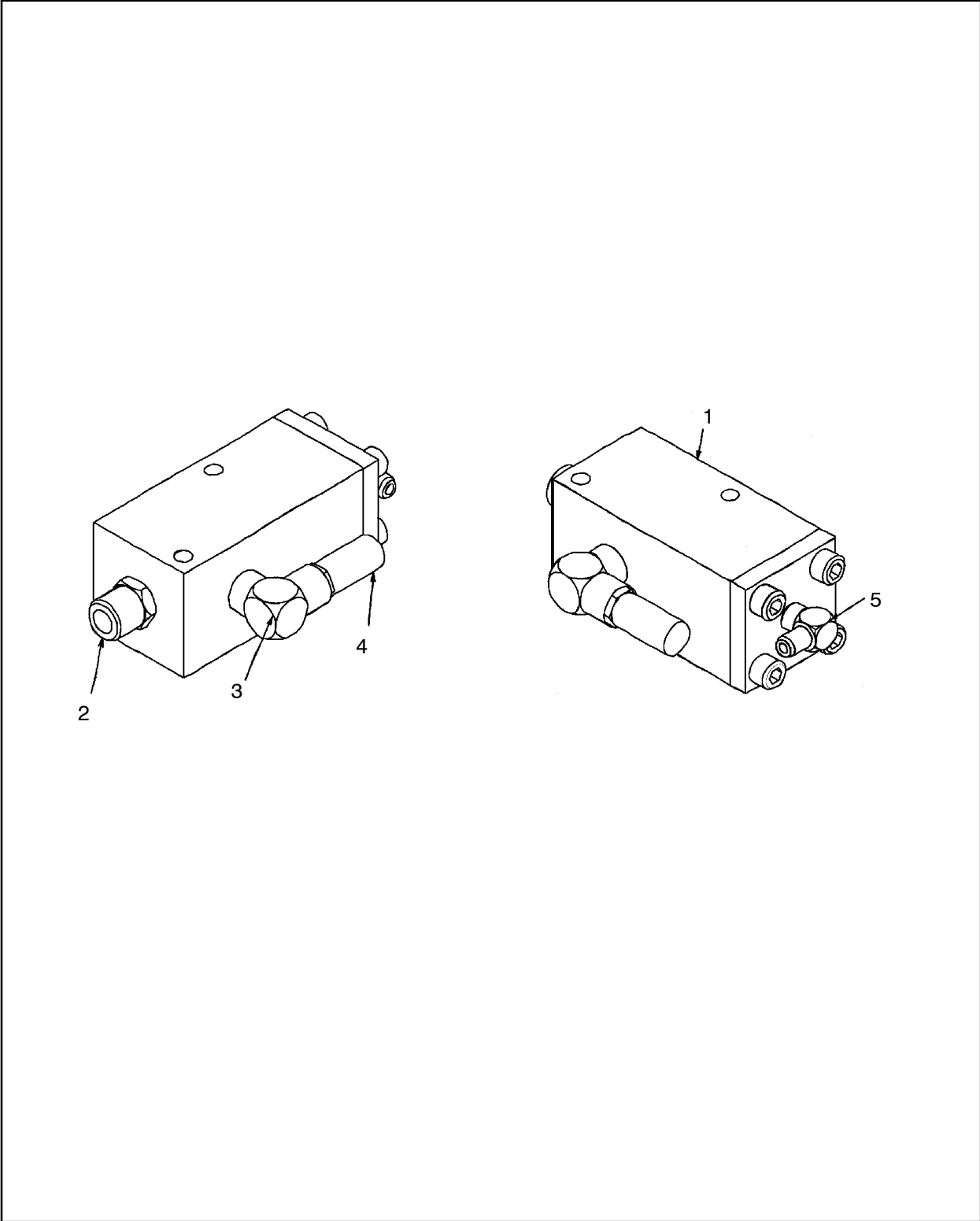


Figure 150 :VALVE BLOWDOWN ASSY
C57546202 REV 001

57546202 VALVE BLOWDOWN ASSY

REF.	PART NO.	QTY.	UNIT	DESCRIPTION
001	35849215	1	EA	VALVE,BLOWDOWN
002	95219747	1	EA	CONNECTOR,MALE,37 DEG
003	95644241	1	EA	ELBOW, 90DEG--EXT/INT NPT
004	35132299	1	EA	SILENCER,PNEUMATIC
005	95279493	1	EA	ELBOW,90 DEG MALE

PIPING,COMPRESSOR CNTRL
57661803

57661605 COC,PXL1200/285MM,DML

COC,PXL1200/285MM,DML
57661605

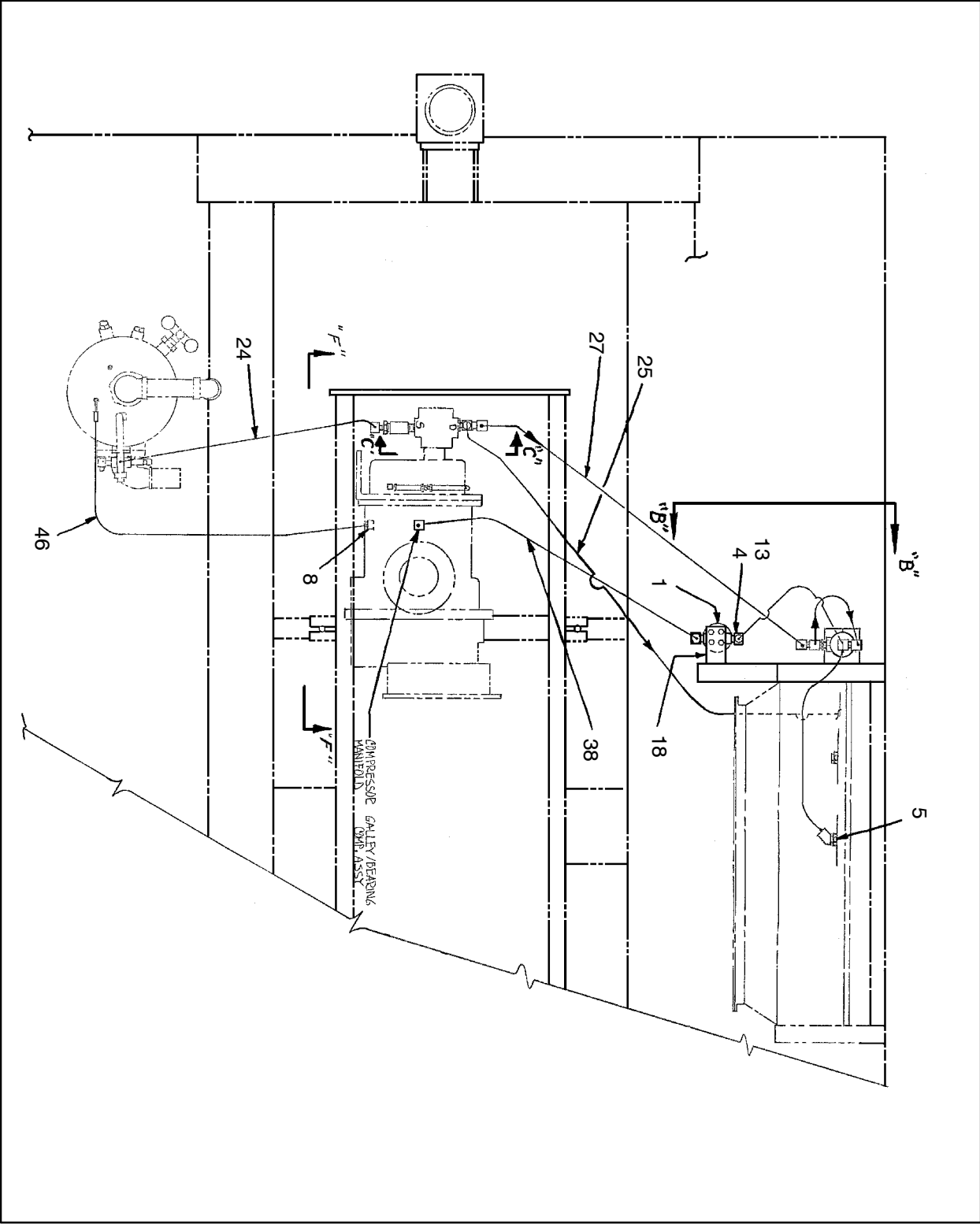
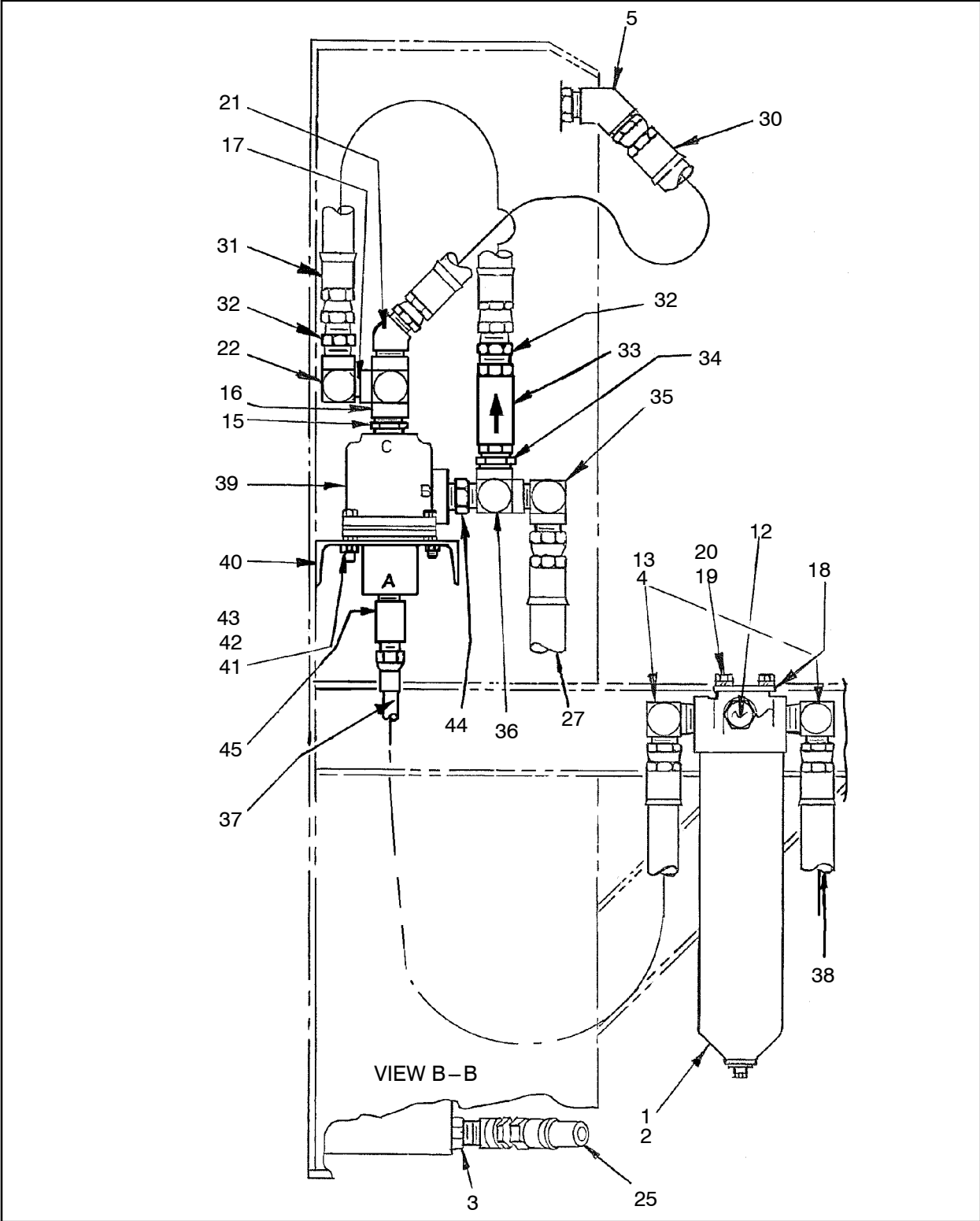


Figure 137 :COC,PXL1200/285MM,DML
D57661605 REV 000

57661605 COC,PXL1200/285MM,DML



COC,PXL1200/285MM,DML
57661605

Figure 138 :COC,PXL1200/285MM,DML
D57661605 REV 000

57661605 COC,PXL1200/285MM,DML

COC,PXL1200/285MM,DML
57661605

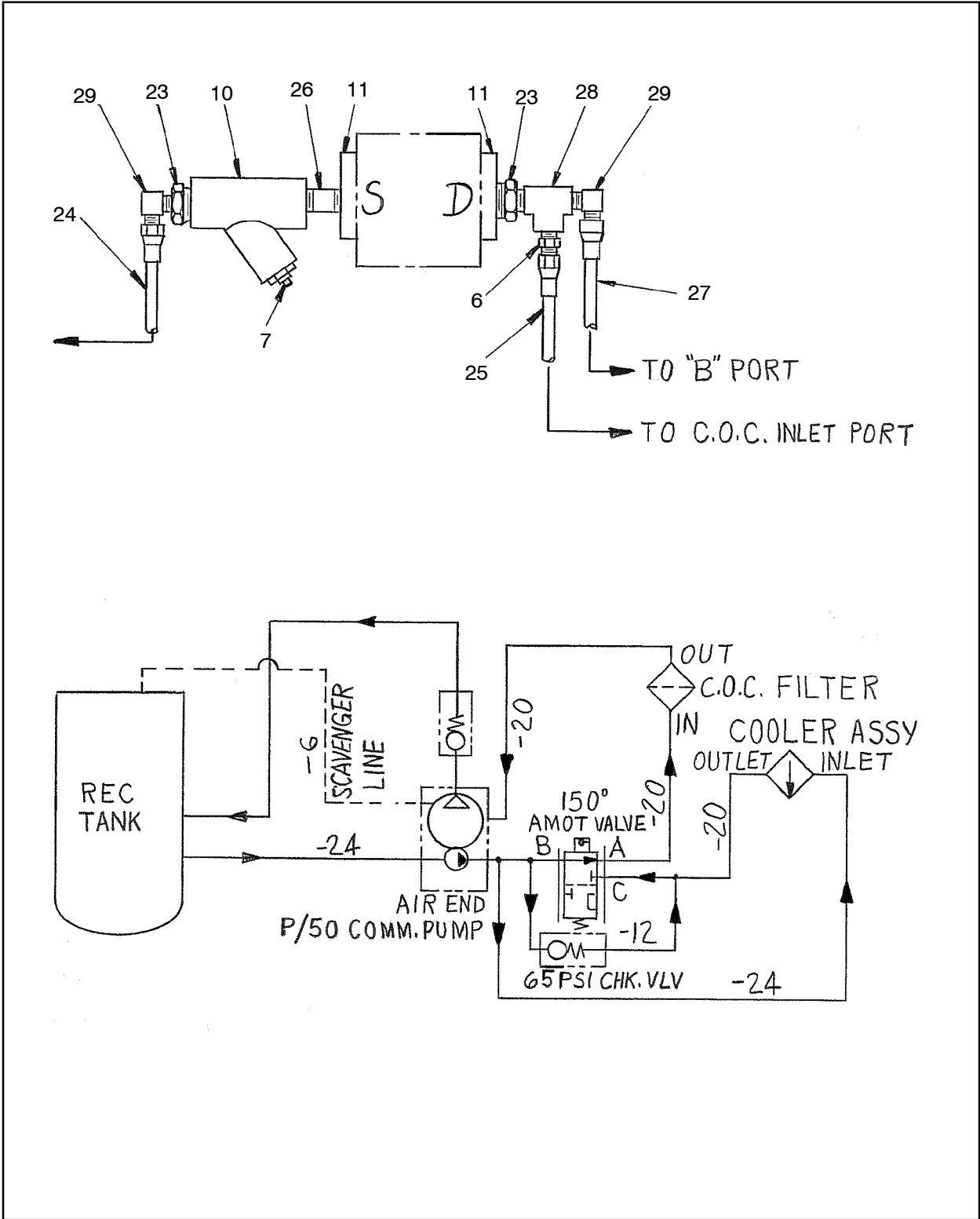
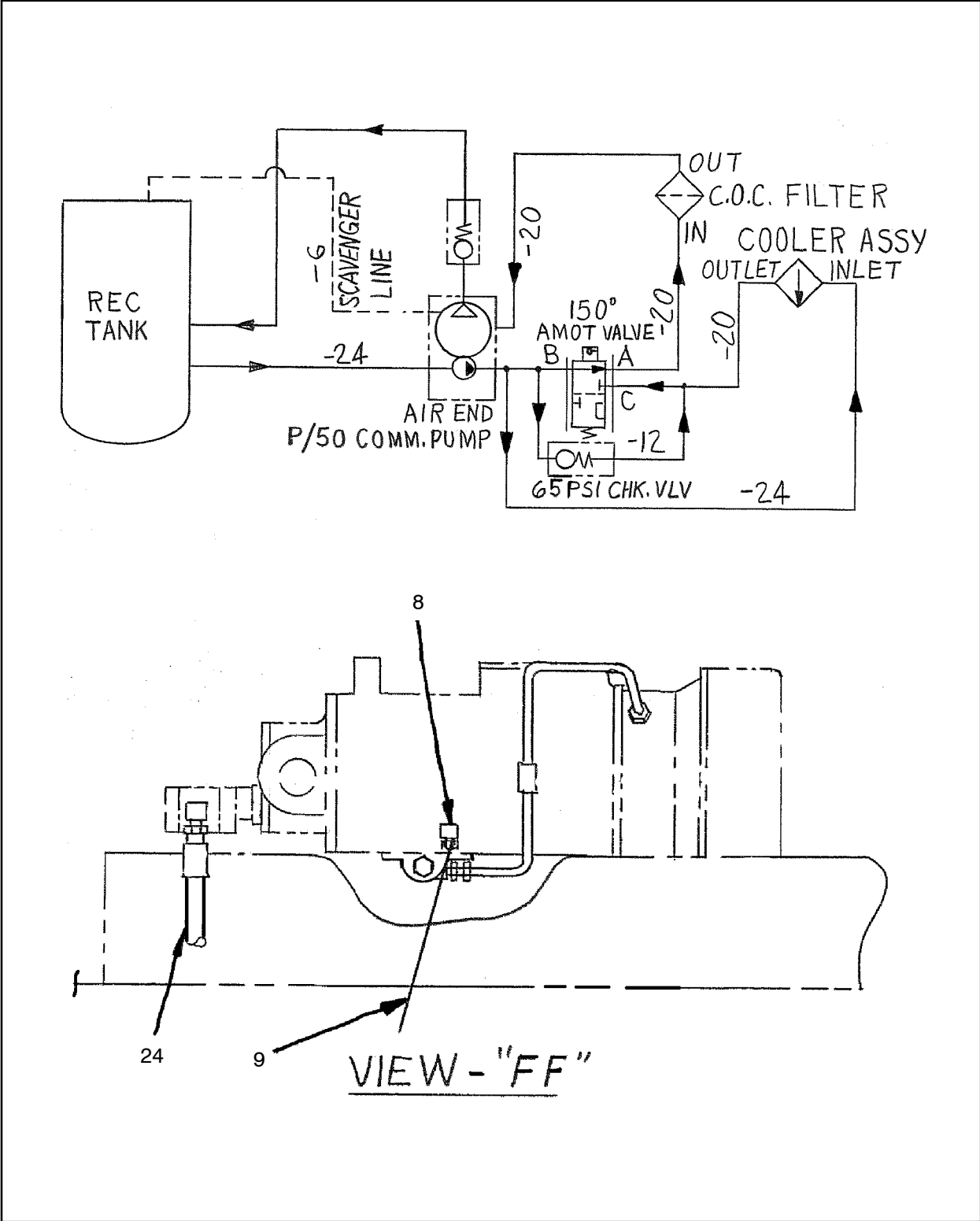


Figure 139 :COC,PXL1200/285MM,DML
D57661605 REV 000

57661605 COC,PXL1200/285MM,DML



COC,PXL1200/285MM,DML
57661605

Figure 140 :COC,PXL1200/285MM,DML
D57661605 REV 000

57661605 COC,PXL1200/285MM,DML

COC,PXL1200/285MM,DML
57661605

REF.	PART NO.	QTY.	UNIT	DESCRIPTION
001	57431520	1	EA	FILTER, OIL
	57426835	1	EA	● - INDICATOR, ELEC
	57065534	1	EA	● - ELEMENT, FILTER
	57525891	1	EA	● - O'RING
002	57065617	1	EA	INDICATOR
003	95387346	1	EA	ADAPTER
004	95664991	2	EA	FITTING, HYD
005	95387346	1	EA	ADAPTER
006	95208682	1	EA	FITTING, HYD
007	95101044	1	EA	PLUG, PIPE-1 SQ HEAD
008	95329975	1	EA	ELBOW,90 DEG STRT THRD
009	56964315	1	EA	HOSE ASSY
010	57420895	1	EA	STRAINER, OIL-2 NPT
	57520223	1	EA	● - ELEMENT, STRAINER
011	95414009	2	EA	FLANGE
012	95326955	2	EA	PLUG W/O RNG
013	57069023	2	EA	ADAPTER, STRAIGHT
015	95365177	1	EA	FITTING, HYD
016	95678041	1	EA	FITTING, HYD
017	52197530	1	EA	FITTING, HYD
018	56244148	1	EA	BRACKET, FILTER
019	95920708	4	EA	CAPSCREW,HEX HEAD,PLATED
020	95934733	4	EA	WASHER,LOCK
021	95279139	1	EA	FITTING, HYD
022	95279402	1	EA	ELBOW, 90DEG MALE 37DGFL
023	95038212	2	EA	BUSHING,PIPE,REDUCING
024	56981632	1	EA	HOSE ASSY
025	58162454	1	EA	HOSE ASSY
026	95097291	1	EA	NIPPLE,PIPE,EXTRA STRONG
027	57065682	1	EA	HOSE ASSY
028	95433751	1	EA	FITTING, HYD
029	95279477	2	EA	FITTING, HYD
030	57018681	1	EA	HOSE ASSY
031	57034332	1	EA	HOSE ASSY
032	95279337	2	EA	FITTING, HYD
033	50261825	1	EA	VALVE, CHECK
034	95324273	1	EA	FITTING, HYD

57661605 COC,PXL1200/285MM,DML

REF.	PART NO.	QTY.	UNIT	DESCRIPTION
035	95279469	1	EA	FITTING HYD
036	95280087	1	EA	TEE 135A23S2
037	57020984	1	EA	HOSE ASSY
038	58060294	1	EA	HOSE ASSY
039	58233016	1	EA	VALVE, TEMP. BY-PASS
	57170839	1	EA	●- ELEMENT
	95000477	1	EA	●- O-RING
	95022281	1	EA	●- O-RING
040	57139982	1	EA	BRACKET, MOUNTING-AMOT
041	95941100	4	EA	SCREW,CAP-3/8-16 X 2-1/2
042	95937413	4	EA	WASHER,LOCK,HELICAL
043	95922894	8	EA	NUT,HEX,FINISHED
044	95038154	1	EA	BUSHING PIPE
045	95208682	1	EA	FITTING, HYD
046	57325391	1	EA	HOSE ASSY

COC,PXL1200/285MM,DML
 57661605

57569766 TANK,REC.VERTICAL ASSY

TANK,REC.VERTICAL ASSY
57569766

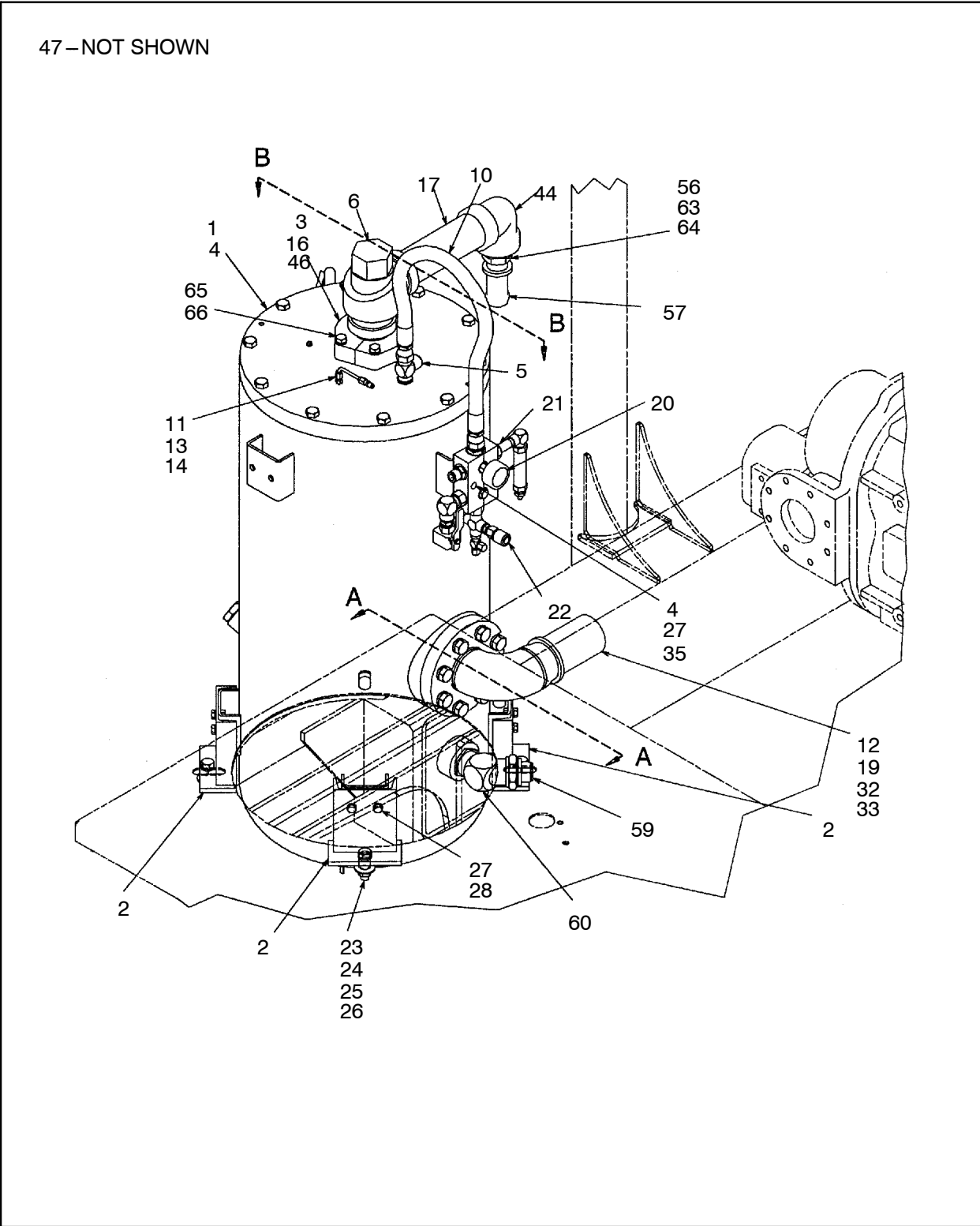
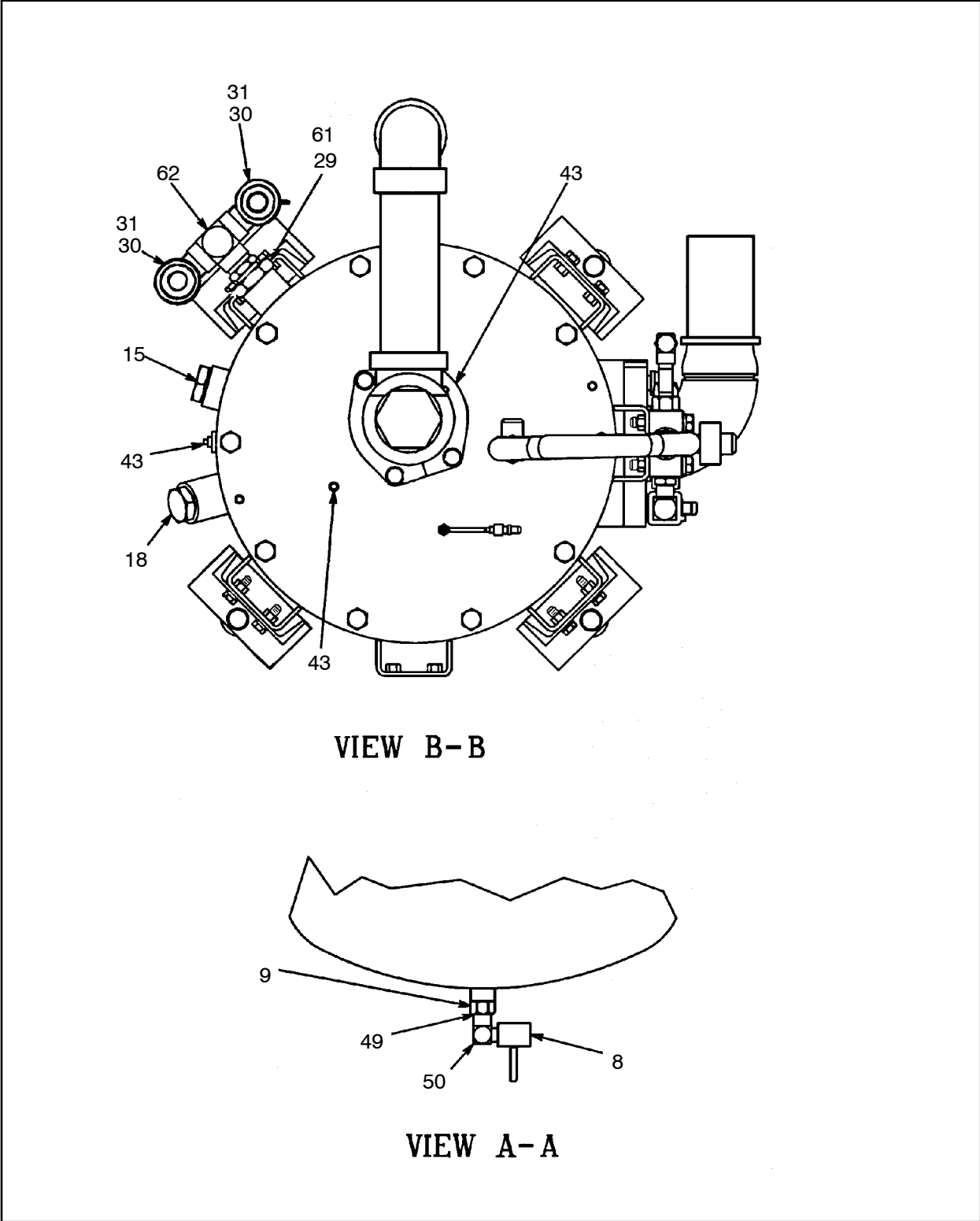


Figure 137 :TANK,REC.VERTICAL ASSY
D57569766 REV 000

57569766 TANK,REC.VERTICAL ASSY



TANK,REC.VERTICAL ASSY
57569766

Figure 138 :TANK,REC.VERTICAL ASSY
D57569766 REV 000

57569766 TANK,REC.VERTICAL ASSY

TANK,REC.VERTICAL ASSY
57569766

REF.	PART NO.	QTY.	UNIT	DESCRIPTION
001	57569717	1	EA	TANK,VERT SEP 24"DIA
002	57545931	4	EA	MOUNT,REC FOOT
003	57546020	1	EA	BLOCK,FLANGE
004	57546145	1	EA	ELEMENT,SEP 7 LAYER
005	95488110	1	EA	FITTING, TUBE
006	57546178	1	EA	VALVE,MIN PRESSURE 65
008	50829605	1	EA	VALVE,BALL-1/2
009	95529079	1	EA	FITTING, TUBE
010	56974140	1	EA	HOSE ASSY
011	39417118	1	EA	ADAPTER,1/4"
012	57545949	1	EA	PIPE,INLET 285MM DML
013	95731014	1	EA	FITTING, HYD
014	39871694	1	EA	TUBE,SCAVENGE
015	39476916	1	EA	SIGHT GLASS
016	95060745	1	EA	O-RING
017	95280731	1	EA	NIPPLE
018	95748562	1	EA	FITTING, HYD
019	57546160	1	EA	GASKET,COMP DISCHARGE
020	57112963	1	EA	GAUGE,PRESSURE
021	57546228	1	EA	MANIFOLD,UPPER
022	57546236	1	EA	MANIFOLD,LOWER
023	95934691	4	EA	WASHER,LOCK,HELICAL
024	95922928	4	EA	NUT,HEX,FINISHED
025	95104659	4	EA	SCREW,CAP-3/4-10 X2-3/4
026	95069571	4	EA	WASHER,FLAT-3/4
027	95209409	10	EA	WASHER, LOCK-1/2
028	95104147	8	EA	SCREW,CAP-1/2-13 X 1
029	56901424	1	EA	FITTING, HYD
030	95280004	2	EA	ELBOW
031	57421349	2	EA	VALVE, SAFETY
032	54565569	8	EA	CAPSCREW,HEX HEAD
033	95043162	8	EA	WASHER, LOCK-7/8
035	95064697	2	EA	WASHER, FLAT-1/2
043	95033593	3	EA	PLUG, PIPE-1/4 SQ HEAD
044	95040333	1	EA	ELBOW,90-3IN
046	95049037	1	EA	NIPPLE 3
047	95053054	2	EA	SCREW,CAP-1/2-13 X 3

(See figure 139)

(See figure 140)

57569766 TANK,REC.VERTICAL ASSY

REF.	PART NO.	QTY.	UNIT	DESCRIPTION
049	95084109	1	EA	NIPPLE, PIPE
050	95264891	1	EA	ELBOW, 90DEG-EXT/INT NPT
056	95037354	1	EA	BUSHING
057	52152501	1	EA	HOSE STEM
059	54387006	1	EA	REDUCER,JIC
060	95660601	1	EA	ADAPTER
061	95324273	1	EA	FITTING, HYD
062	95322780	1	EA	TEE
063	95033585	1	EA	PLUG, PIPE-1/8 SQ HEAD
064	95287629	1	EA	FITTING, HYD
065	95934170	40	EA	CAPSCREW,HEX HEAD,PLATED
066	95934741	4	EA	WASHER,LOCK HELICAL

TANK,REC.VERTICAL ASSY

57569766

57546228 MANIFOLD,UPPER

TANK,REC.VERTICAL ASSY
57569766

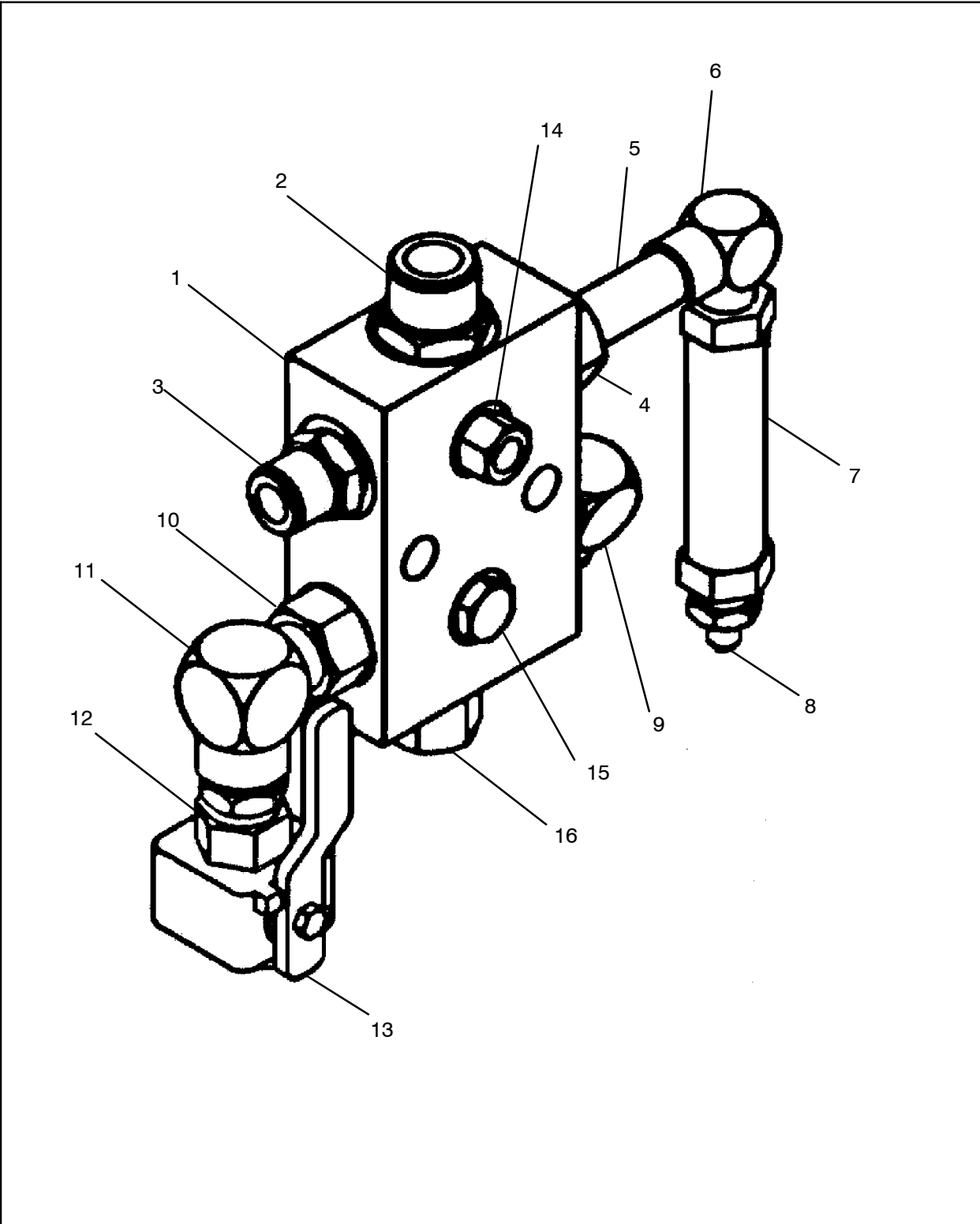


Figure 139 :MANIFOLD,UPPER
C57546228 REV 000

57546228 MANIFOLD,UPPER

REF.	PART NO.	QTY.	UNIT	DESCRIPTION
001	57546038	1	EA	MANIFOLD
002	95329983	1	EA	FITTING, HYD-JIC/O-RING
003	95356960	1	EA	FITTING, HYD
004	95538252	1	EA	FITTING, HYD
005	95056420	1	EA	NIPPLE, PIPE
006	95264891	1	EA	ELBOW, 90DEG-EXT/INT NPT
007	50622273	1	EA	VALVE, RELIEF
008	95330023	1	EA	FITTING, HYD
009	95330692	1	EA	ADAPTER, 90DEG-O-RING/JIC
010	95702619	1	EA	ADAPTER
011	95264909	1	EA	ELBOW, 90DEG-EXT/INT NPT
012	95315222	1	EA	FITTING, HYD
013	52172723	1	EA	VALVE, MANUAL SHUTOFF
	50212224	1	EA	●- VALVE, BALL-3/4
014	95655072	1	EA	FITTING, HYD
015	95323465	1	EA	PLUG HEAD
016	95775623	1	EA	FITTING, HYD

TANK, REC.VERTICAL ASSY

57569766

57546236 MANIFOLD,LOWER

TANK,REC.VERTICAL ASSY
57569766

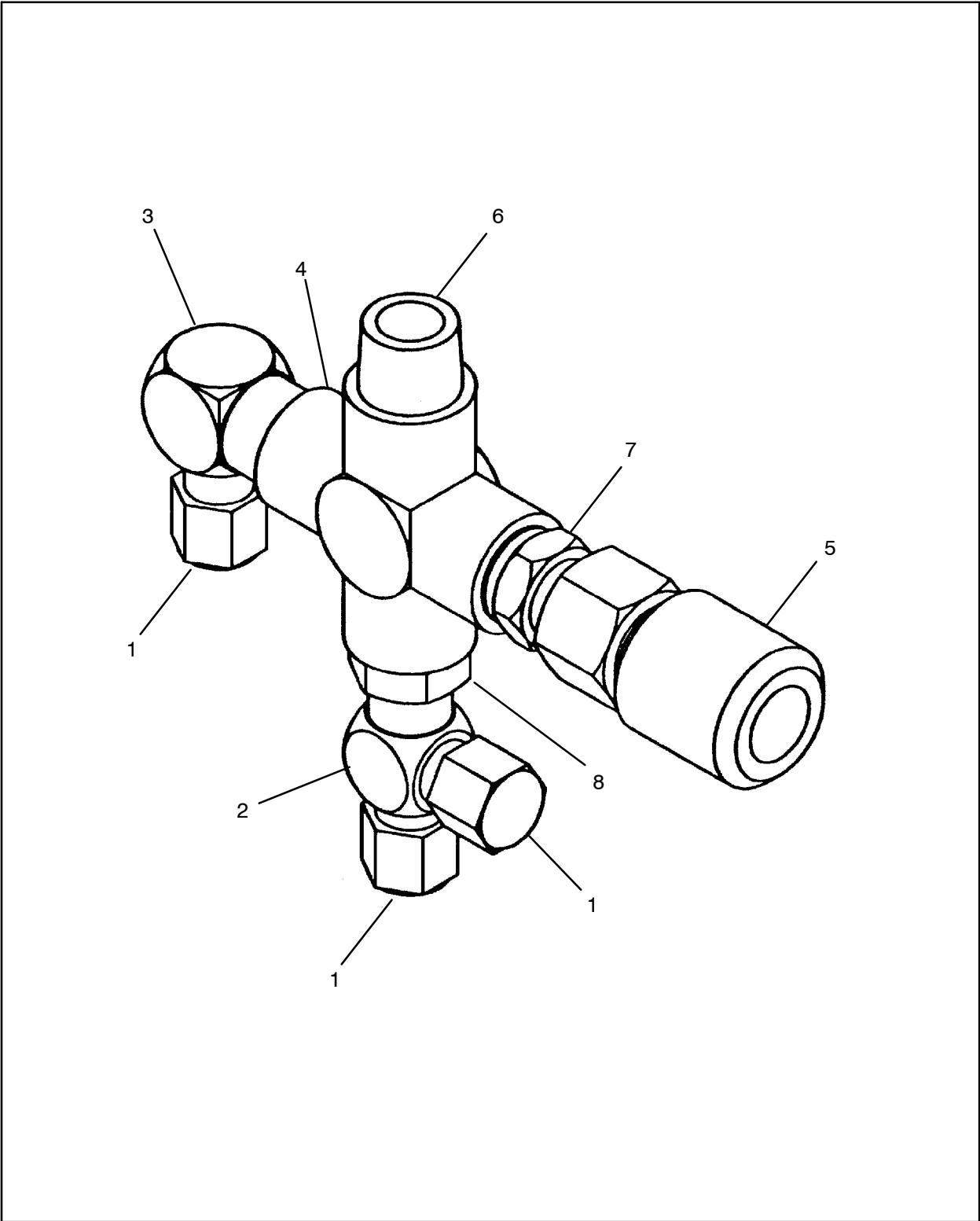


Figure 140 :MANIFOLD,LOWER
C57546236 REV 000

57546236 MANIFOLD,LOWER

REF.	PART NO.	QTY.	UNIT	DESCRIPTION
001	95257341	3	EA	CAP, JIC-6
002	95730990	1	EA	TEE, NPT/JIC
003	95279527	1	EA	FITTING, HYD
004	95378907	1	EA	FITTING, HYD
005	57434110	1	EA	COUPLING,QUICKDISCONNECT
006	95084109	1	EA	NIPPLE, PIPE
007	95302733	1	EA	FITTING
008	52244142	1	EA	FITTING,HYD

TANK, REC.VERTICAL ASSY
57569766

57569808 PIPING,REC TO COMP.

PIPING,REC TO COMP.
57569808

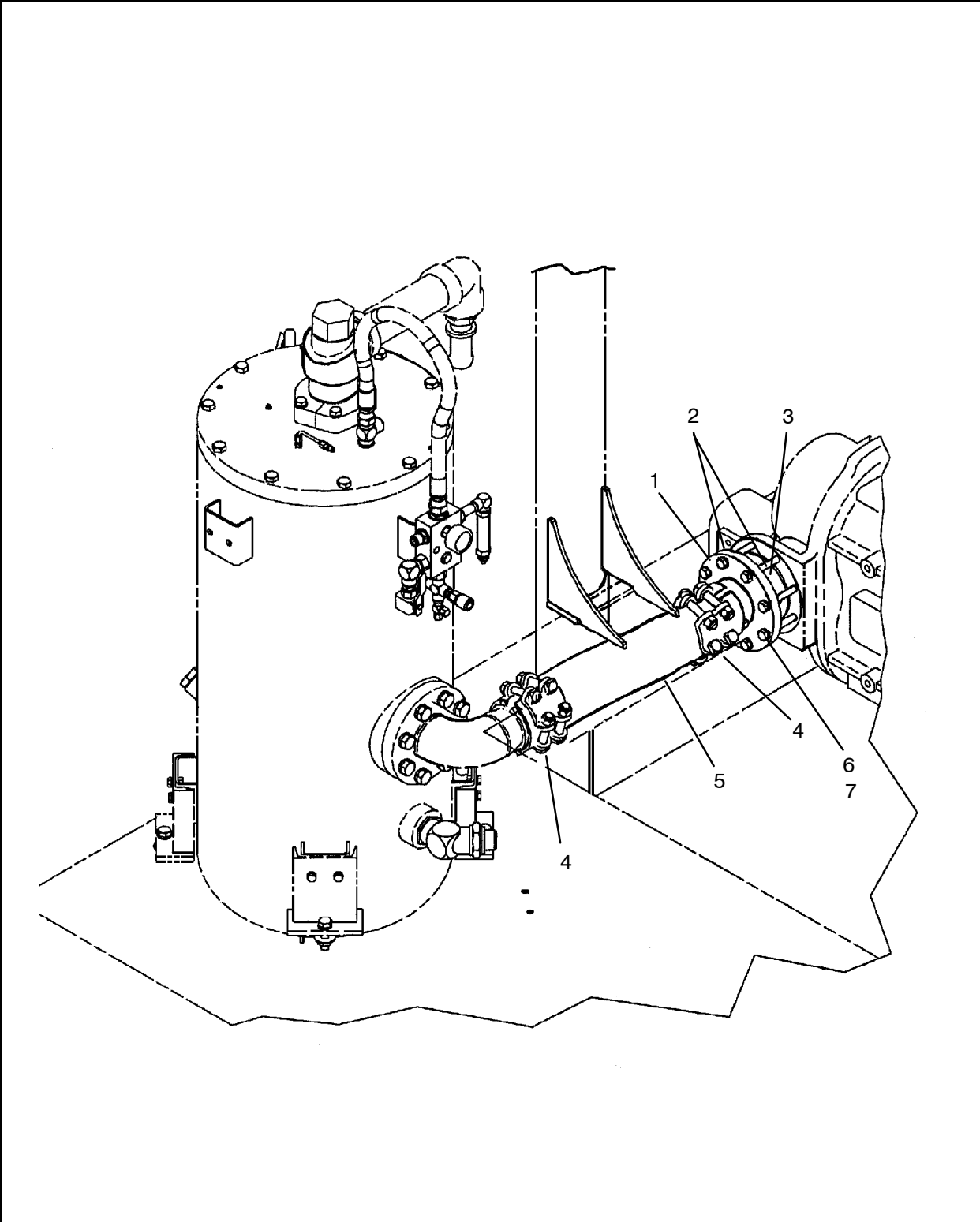


Figure 136 :PIPING,REC TO COMP.
D57569808 REV 000

57569808 PIPING,REC TO COMP.

REF.	PART NO.	QTY.	UNIT	DESCRIPTION
001	57545956	1	EA	PIPE,DISCHARGE 285MM
002	57176471	2	EA	GASKET,COMP.
003	35362656	1	EA	VALVE, CHECK-4
004	58051095	2	EA	CLAMP, HOSE
005	95391983	27.00	IN	HOSE, AIR-R64 BULK
006	96704036	8	EA	CAPSCREW M16X140 GR 8.8
007	50855923	8	EA	WASHER, LOCK

PIPING,REC TO COMP.
57569808

57471880 PIPING, RECEIVER TO TOWER

PIPING, RECEIVER TO TOWER
57471880

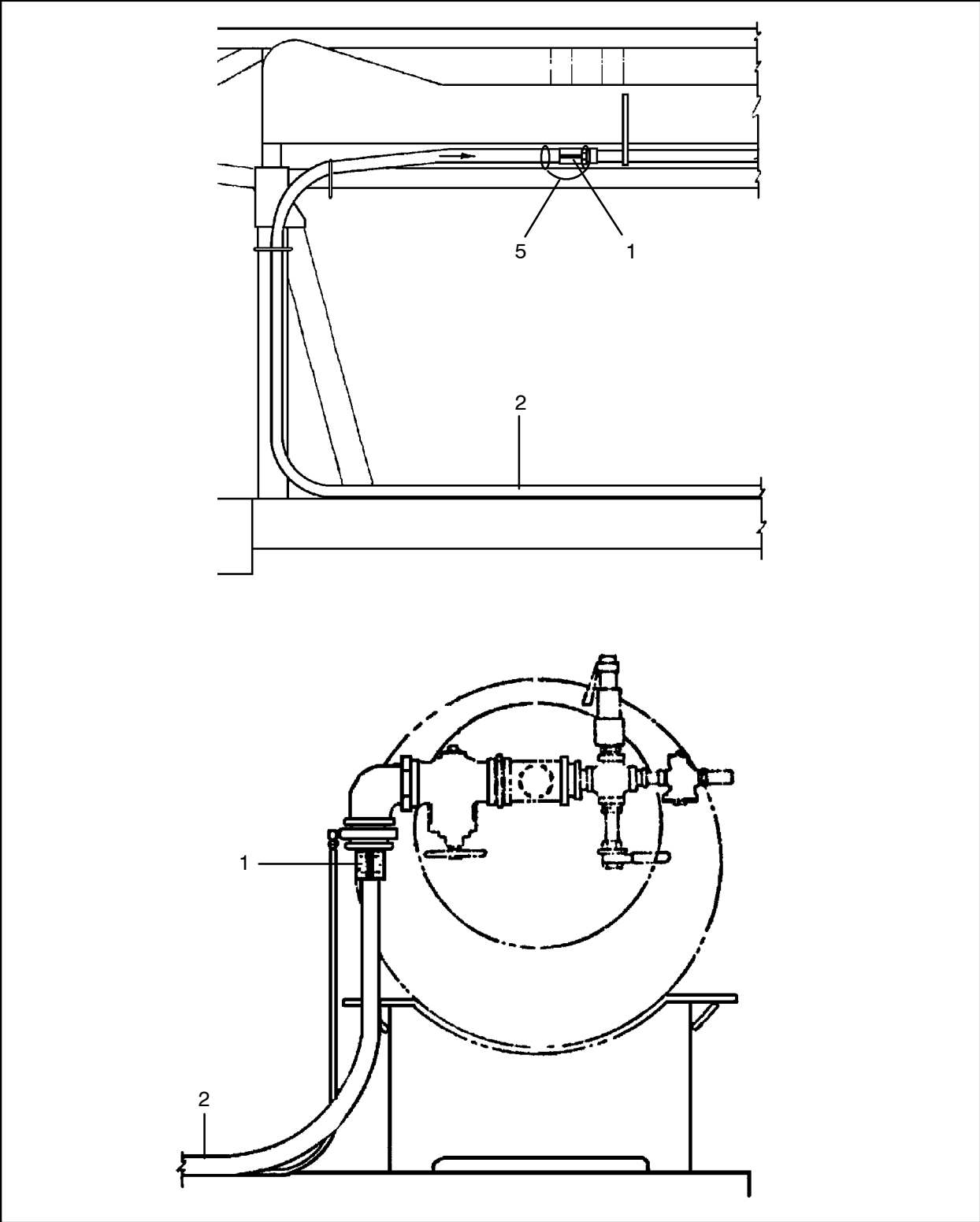


Figure 141 :PIPING, RECEIVER TO TOWER
E57471880 REV02

57471880 PIPING, RECEIVER TO TOWER

REF.	PART NO.	QTY.	UNIT	DESCRIPTION
001	50743731	2	EA	CLAMP, HOSE
002	95313961	464.00	IN	HOSE,AIR-R32 BULK
005	57358145	1	EA	CABLE, HOSE RESTRAINT

PIPING, RECEIVER TO TOWER
57471880

HYDRAULIC SYSTEM

SECTION

HYDRAULIC SYSTEM

This page is intentionally blank.

SECTION

HYDRAULIC SYSTEM

57651226 DRIVE,MAIN HYD-ELEC

DRIVE,MAIN HYD-ELEC
57651226

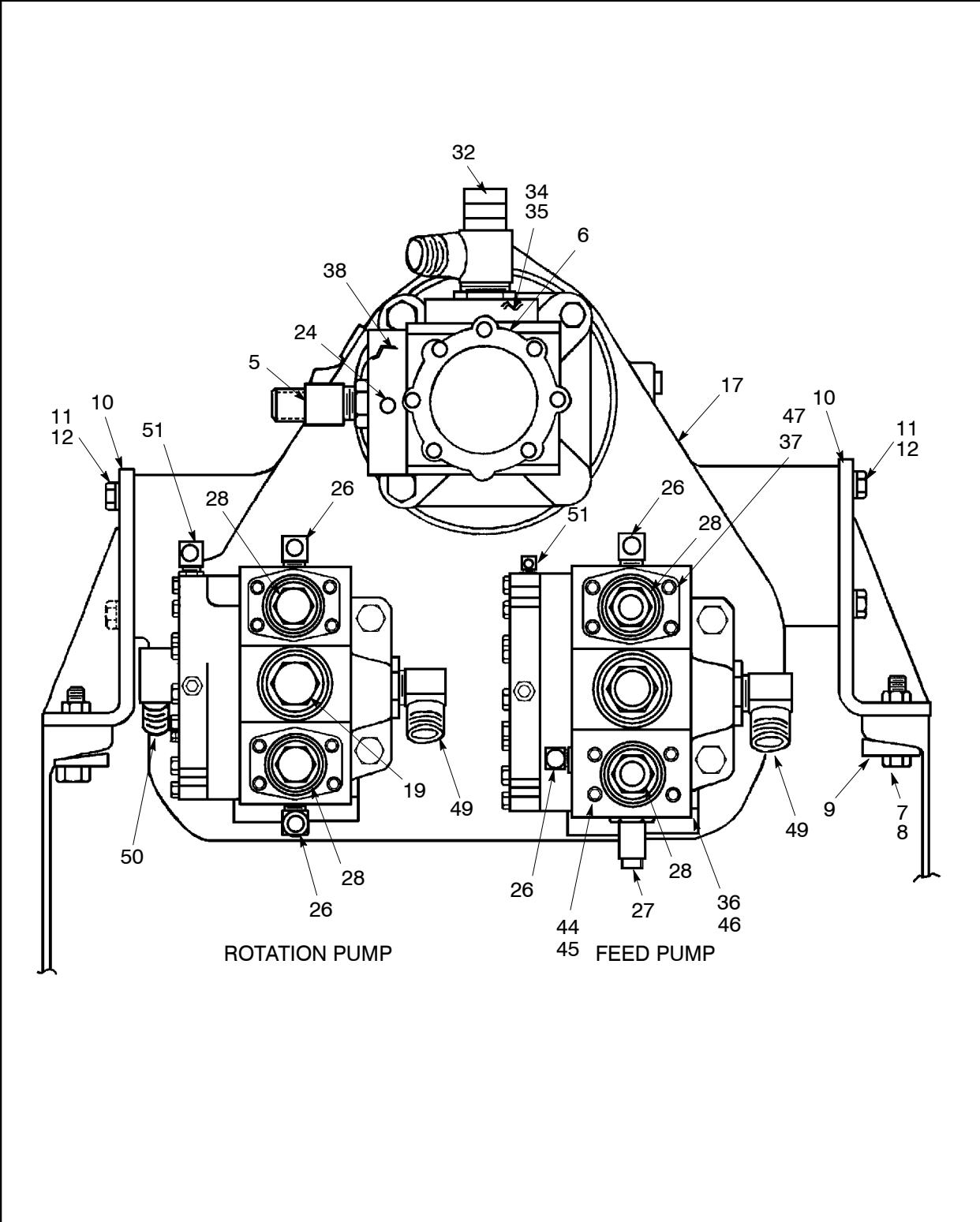
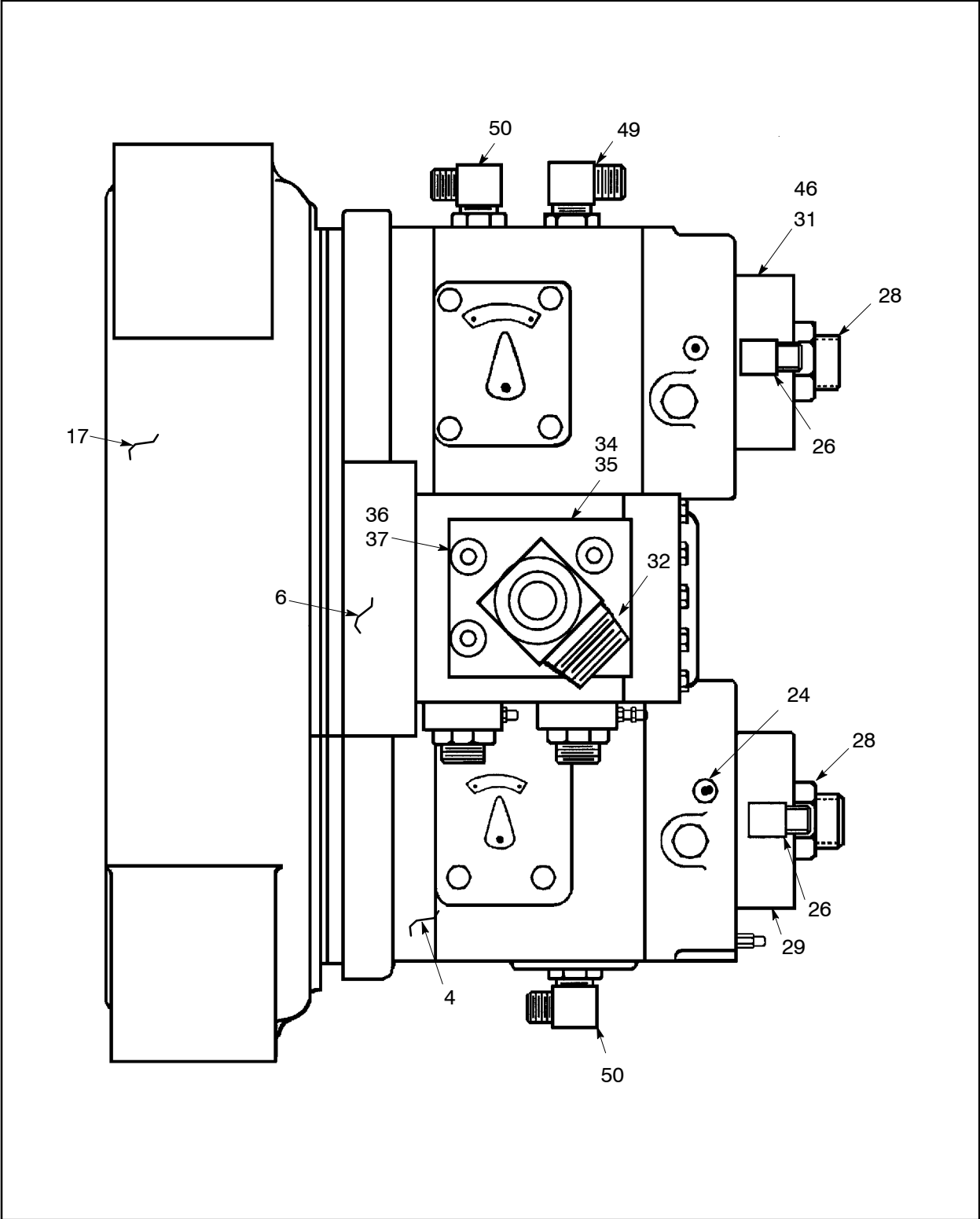


Figure 149 :DRIVE,MAIN HYD-ELEC
E57651226 REV 000

57651226 DRIVE,MAIN HYD-ELEC



DRIVE,MAIN HYD-ELEC
57651226

Figure 150 :DRIVE,MAIN HYD-ELEC
E57651226 REV 000

57651226 DRIVE, MAIN HYD-ELEC

DRIVE, MAIN HYD-ELEC
57651226

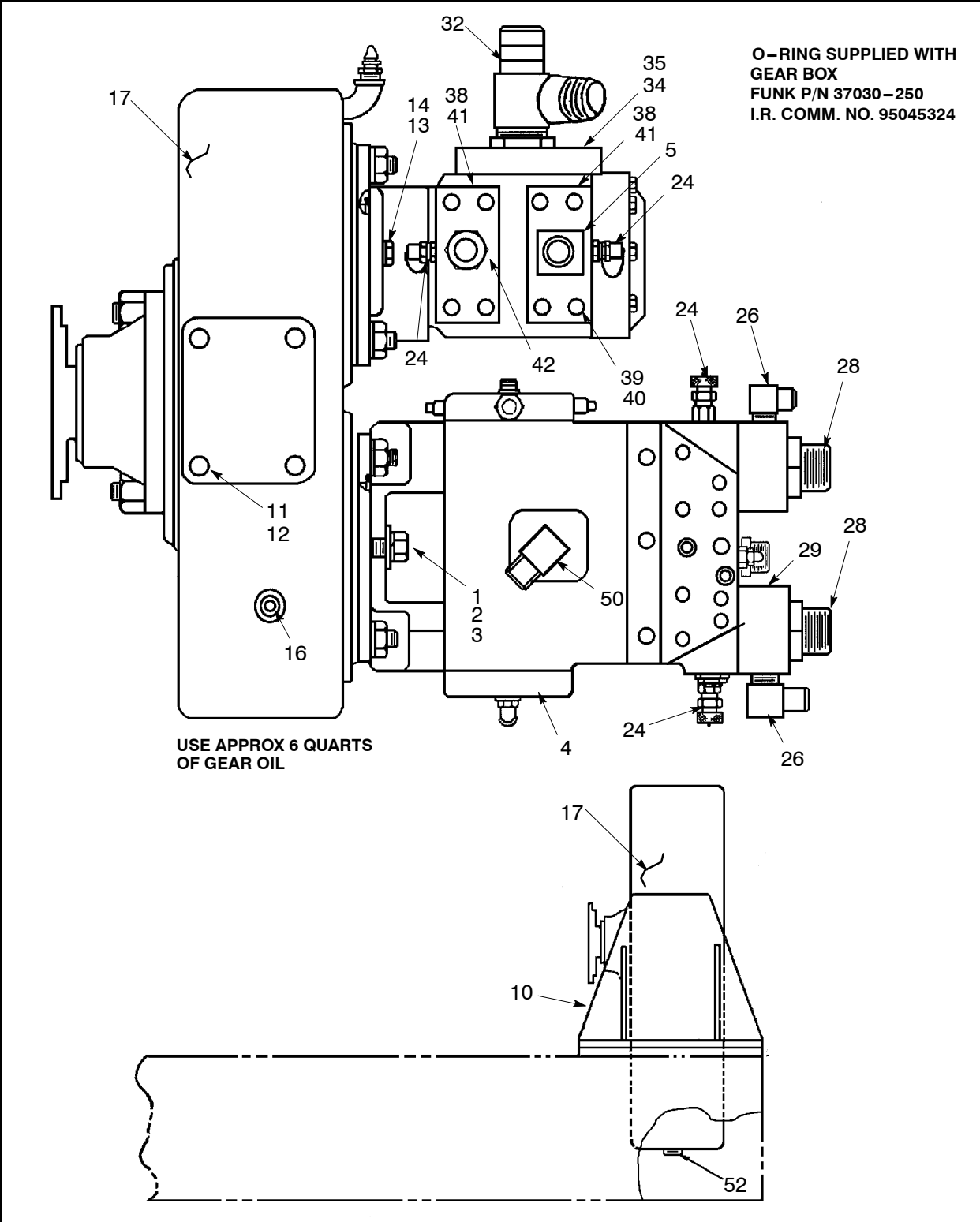
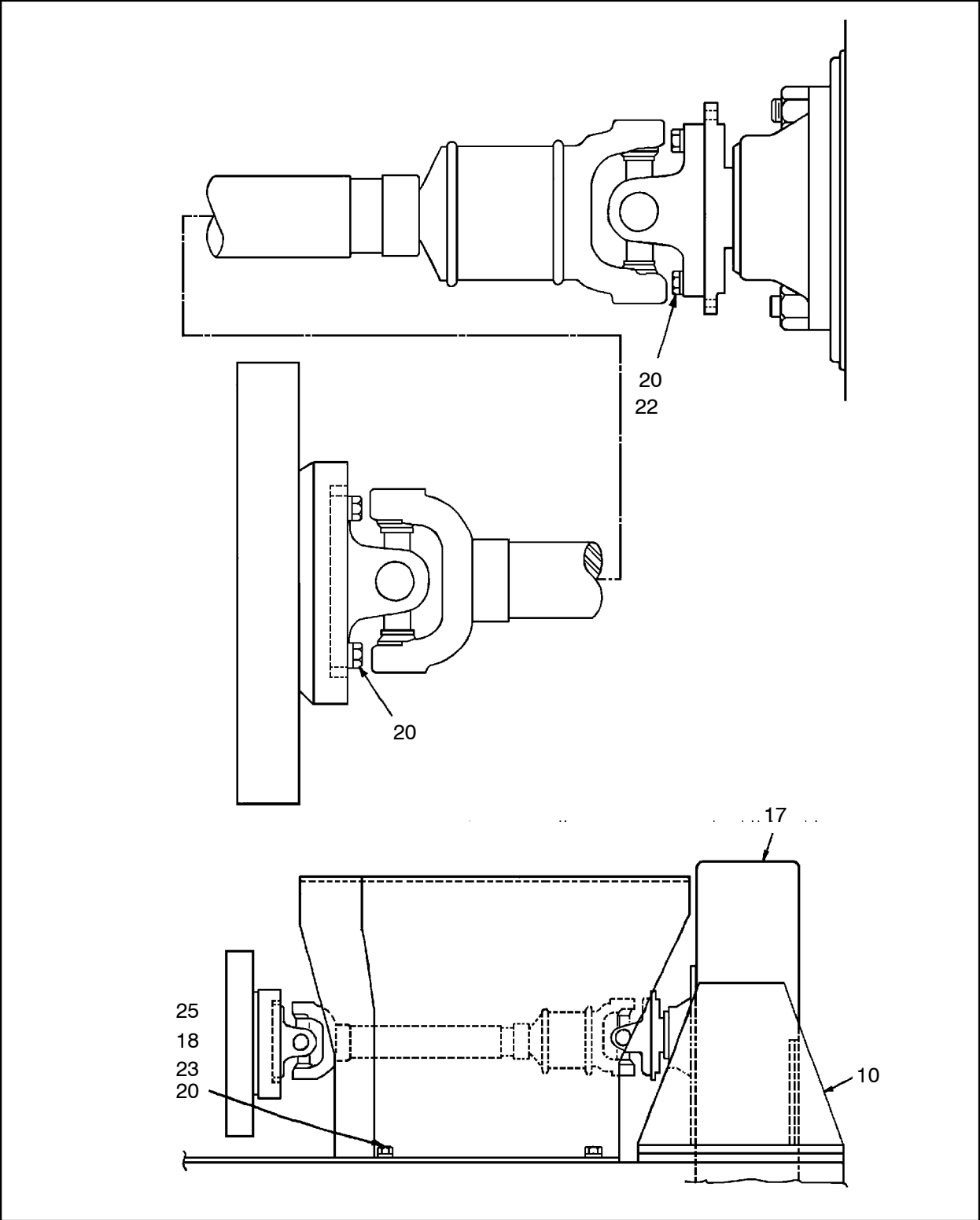


Figure 151 :DRIVE, MAIN HYD-ELEC
E57651226 REV 000

57651226 DRIVE,MAIN HYD-ELEC



DRIVE, MAIN HYD-ELEC
57651226

Figure 152 :DRIVE,MAIN HYD-ELEC
E57651226 REV 000

57651226 DRIVE,MAIN HYD-ELEC

DRIVE,MAIN HYD-ELEC
57651226

REF.	PART NO.	QTY.	UNIT	DESCRIPTION
001	95335337	4	EA	SCREW, CAP-5/8-11 X 2
002	56951700	4	EA	TUBE
003	95934741	4	EA	WASHER,LOCK HELICAL
004	57326274	2	EA	PUMP,MAIN
005	95280194	1	EA	ELBOW,90 DEG STRT THRD
006	57392003	1	EA	PUMP,DOUBLE-HYDRAULIC (See figure 153)
007	95080206	4	EA	NUT, HEX LOCK-5/8-11
008	95919858	4	EA	CAPSCREW,HEX HEAD
009	56986599	2	EA	WASHER
010	52227154	2	EA	BRACKET
	52245578	1	EA	● - BRACKET
011	95919817	8	EA	CAPSCREW,HEX HEAD
012	95934741	8	EA	WASHER,LOCK HELICAL
013	95934733	2	EA	WASHER,LOCK
014	95934659	2	EA	CAPSCREW,HEX HEAD
016	50057132	6.00	LB	OIL, GEAR
017	57352536	1	EA	PUMP,DRIVE 3-HOLE (See figure 155)
018	95934451	4	EA	SCREW,CAP,HEXHEAD,PLATED
019	95329983	1	EA	CONNECTOR,STRAIGHT THRD
020	95934733	12	EA	WASHER,LOCK
022	95215257	8	EA	CAPSCREW,HEX
023	95922902	4	EA	NUT,HEX,FINISHED,PLATED
024	57328676	6	EA	FITTING, TEST
025	95245767	4	EA	WASHER, BEVEL-1/2
026	95480109	4	EA	FITTING, HYD-90DEGO-RING
027	57167728	1	EA	VALVE, CHECK-16 JIC
028	57167454	4	EA	FITTING,STR,20OFS X20SAE
029	57213936	3	EA	BLOCK,FLANGE
031	57409443	1	EA	FLANGE, STRAIGHT - SAE
032	57491441	1	EA	ADAPTER, TEE
034	50691989	1	EA	FLANGE
035	95086625	1	EA	O-RING
036	95055232	4	EA	SCREW, CAP-5/8-11 X1-1/4
037	95209425	16	EA	WASHER, LOCK-5/8
038	57469546	2	EA	FLANGE BLOCK, 1 O-RING
039	95055299	8	EA	SCREW, CAP-3/8-16 X 3/4
040	95922639	8	EA	LOCKWASHER,HELICAL SPRNG

57651226 DRIVE,MAIN HYD-ELEC

REF.	PART NO.	QTY.	UNIT	DESCRIPTION
041	95086518	2	EA	O-RING
042	95315289	1	EA	CONNECTOR,STRT THRD
044	95929147	4	EA	CAPSCREW,HEX HEAD
045	95934741	4	EA	WASHER,LOCK HELICAL
046	95086567	4	EA	O-RING
047	95013702	12	EA	CAPSCREW,HEX SOCKET HEAD
049	95280194	2	EA	ELBOW,90 DEG STRT THRD
050	57167934	2	EA	FITTING, L90-120FSX12SAE
051	95341665	2	EA	ELBOW,90 DEG STRT THRD
052	95033619	1	EA	PLUG, PIPE-1/2 SQ HEAD

DRIVE,MAIN HYD-ELEC
57651226

57392003 PUMP,DOUBLE-HYDRAULIC

DRIVE, MAIN HYD-ELEC
57651226

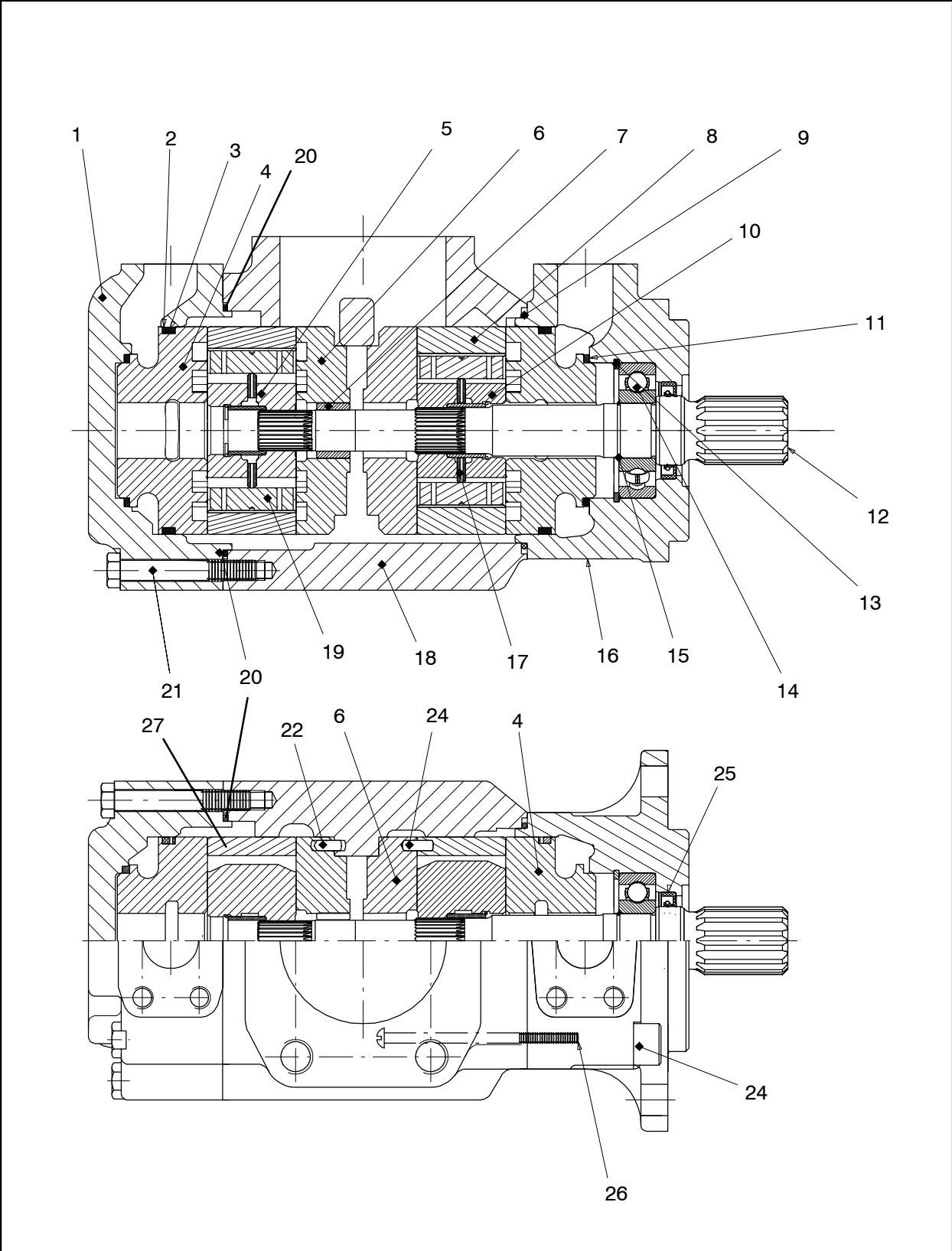
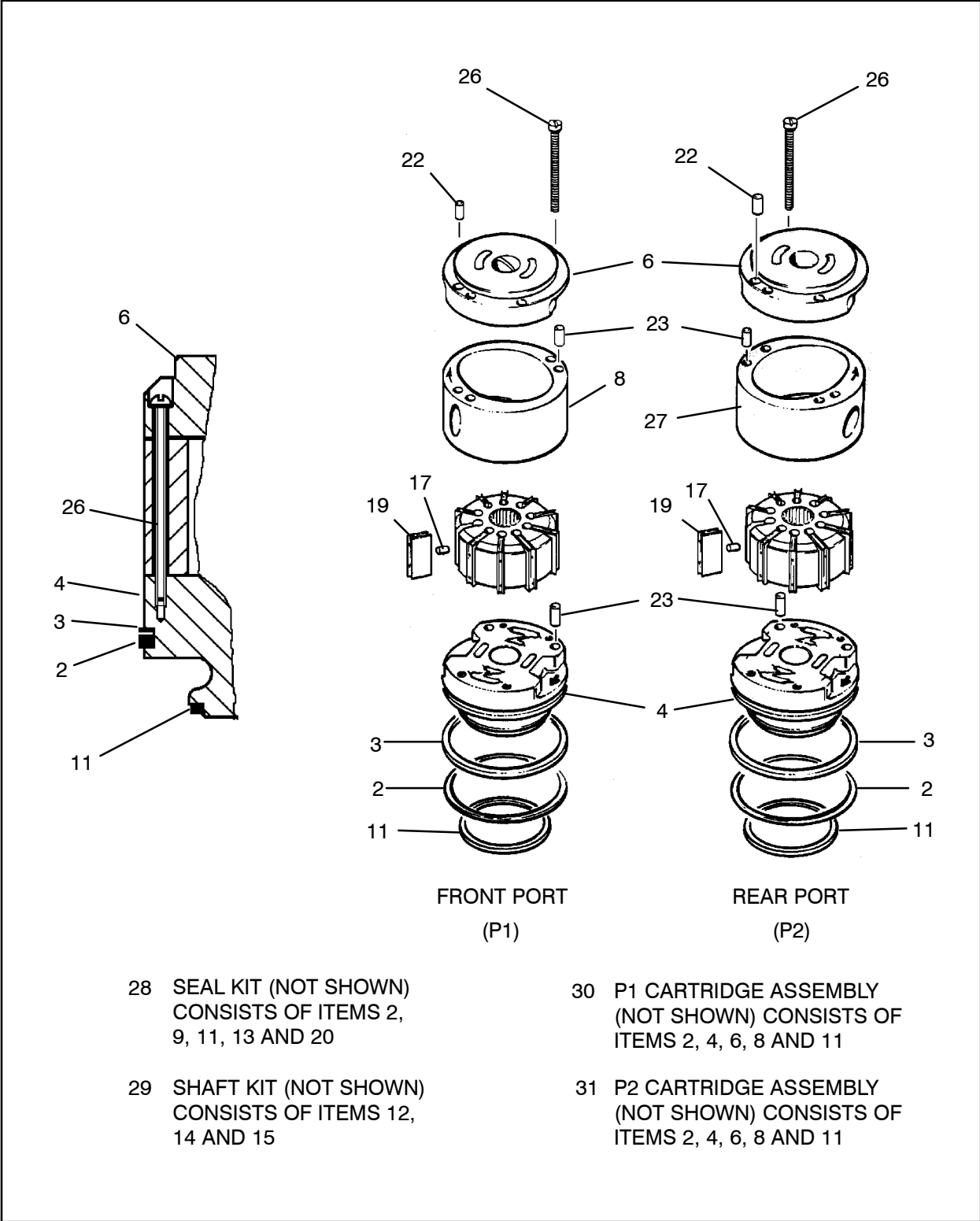


Figure 153 :PUMP,DOUBLE-HYDRAULIC
B57392003 REV 000

57392003 PUMP,DOUBLE-HYDRAULIC



DRIVE, MAIN HYD-ELEC
 57651226

Figure 154 :PUMP,DOUBLE-HYDRAULIC
 B57392003 REV 000

57392003 PUMP,DOUBLE-HYDRAULIC

DRIVE,MAIN HYD-ELEC
57651226

REF.	PART NO.	QTY.	UNIT	DESCRIPTION
001	57191991	1	EA	END CAP
002	57192007	1	EA	HOUSING
003	57192015	1	EA	MOUNTING CAP
004	57192213	1	EA	SHAFT, SPLINED #3
005	57185217	2	EA	PRESSURE PLATE
006	57392896	1	EA	CAM-T6CC, 31 GPM
007	57192080	1	EA	CAM RING
008	57192098	20	EA	VANE
009	57192163	1	EA	P2 ROTOR ASSY.
010	54494026	1	EA	PLATE,PORT,REAR
011	57192106	20	EA	VANE PIN
012	54494018	1	EA	PLATE,PORT,FRONT
013	57192122	1	EA	P1 ROTOR ASSY.
014	50815851	2	EA	SEAL,SQ SECT
015	57192130	2	EA	BACK UP RING
016	57192148	2	EA	SQUARE SECTION GASKET
017	57307720	1	EA	GASKET,SQ.SECTION
018	57192197	1	EA	O-RING
019	50495860	1	EA	SEAL SHAFT
020	50644558	1	EA	RING SNAP
021	57192023	7	EA	CAPSCREW
022	57045494	4	EA	CAP
023	50816271	4	EA	SCREW
024	50604479	4	EA	DOWEL PIN
025	50816289	2	EA	PIN
026	50632538	1	EA	BEARING BALL
027	50806223	2	EA	RING,SNAP
028	57032997	1	EA	KIT,SEAL
029	57053555	1	EA	KIT, SHAFT
030	54529060	1	EA	CARTRIDGE ASSEMBLY
031	57053522	1	EA	CAM ASSEMBLY (14)

57392003 PUMP,DOUBLE – HYDRAULIC

This page is intentionally blank.

DRIVE, MAIN HYD – ELEC
57651226

57352536 PUMP,DRIVE 3-HOLE

DRIVE, MAIN HYD - ELEC
57651226

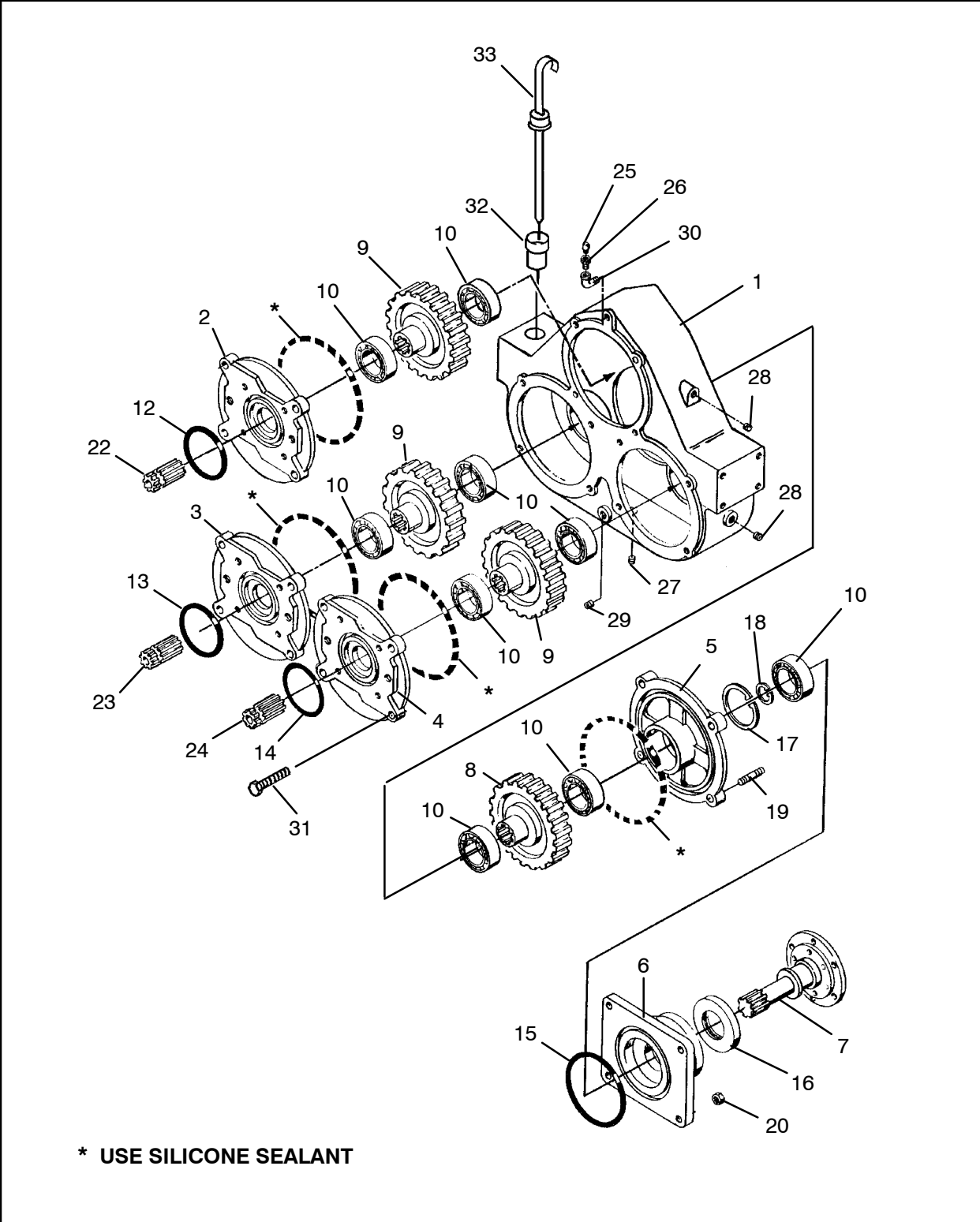


Figure 155 :PUMP,DRIVE 3-HOLE
E57352528 REV 002

57352536 PUMP,DRIVE 3-HOLE

REF.	PART NO.	QTY.	UNIT	DESCRIPTION
001	59551127	1	EA	HOUSING, GEARBOX
002	59572917	1	EA	ADAPTER, SAE B
003	50597624	1	EA	ADAPTER, SAE C
004	50597624	1	EA	ADAPTER, SAE C
005	50597632	1	EA	ADAPTER, PUMP D
006	50597640	1	EA	ADAPTER, INPUT
007	50595115	1	EA	SHAFT, INPUT
008	50597657	1	EA	PINION
009	50597665	3	EA	GEAR
010	95200663	9	EA	BEARING
012	50597434	1	EA	O-RING
013	59595629	1	EA	O-RING
014	59595629	1	EA	O-RING
015	50717743	1	EA	O-RING
016	50717750	1	EA	SEAL, OIL
017	50597442	1	EA	RING,SNAP
018	95223475	1	EA	RING, RETAINING
019	59383463	4	EA	STUD, ADAPTER
020	50943240	16	EA	NUT
022	50594779	1	EA	ADAPTER,SLEEVE-SAE B
023	59516096	1	EA	SLEEVE, SPLINE
024	59516096	1	EA	SLEEVE, SPLINE
025	59677831	1	EA	BREATHER
026	59551242	1	EA	BUSHING, REDUCER
027	59514976	1	EA	PLUG, MAGNETIC
028	59551259	4	EA	PLUG, OIL LEVEL
029	59551267	1	EA	PLUG
030	59551275	1	EA	ELBOW
031	57367310	12	EA	BOLT, ADAPTER
032	50906379	1	EA	TUBE
033	59515007	1	EA	DIPSTICK

DRIVE,MAIN HYD-ELEC
57651226

57661746 PIPING,MAIN HYD CL TIER2

PIPING,MAIN HYD CL TIER2
57661746

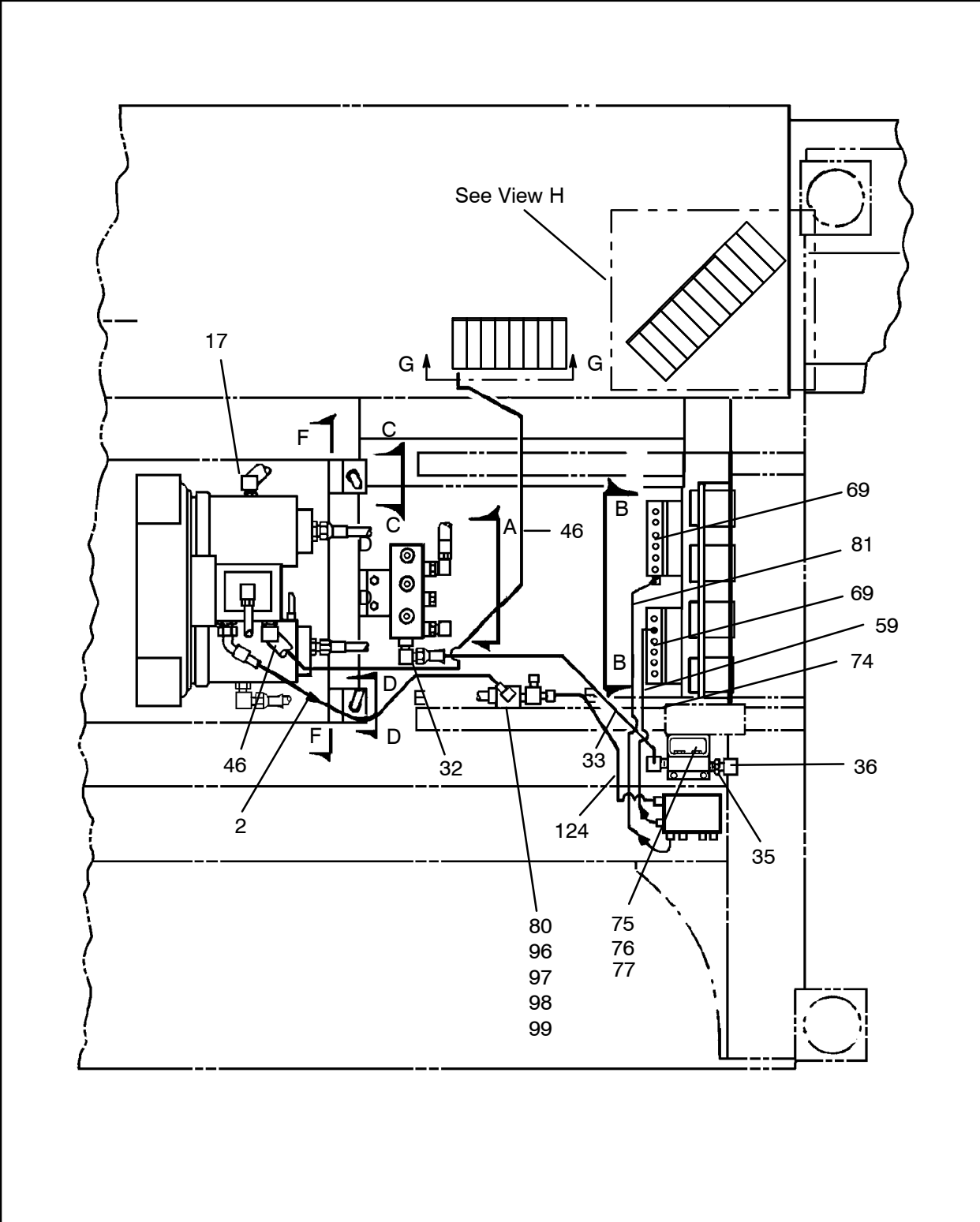
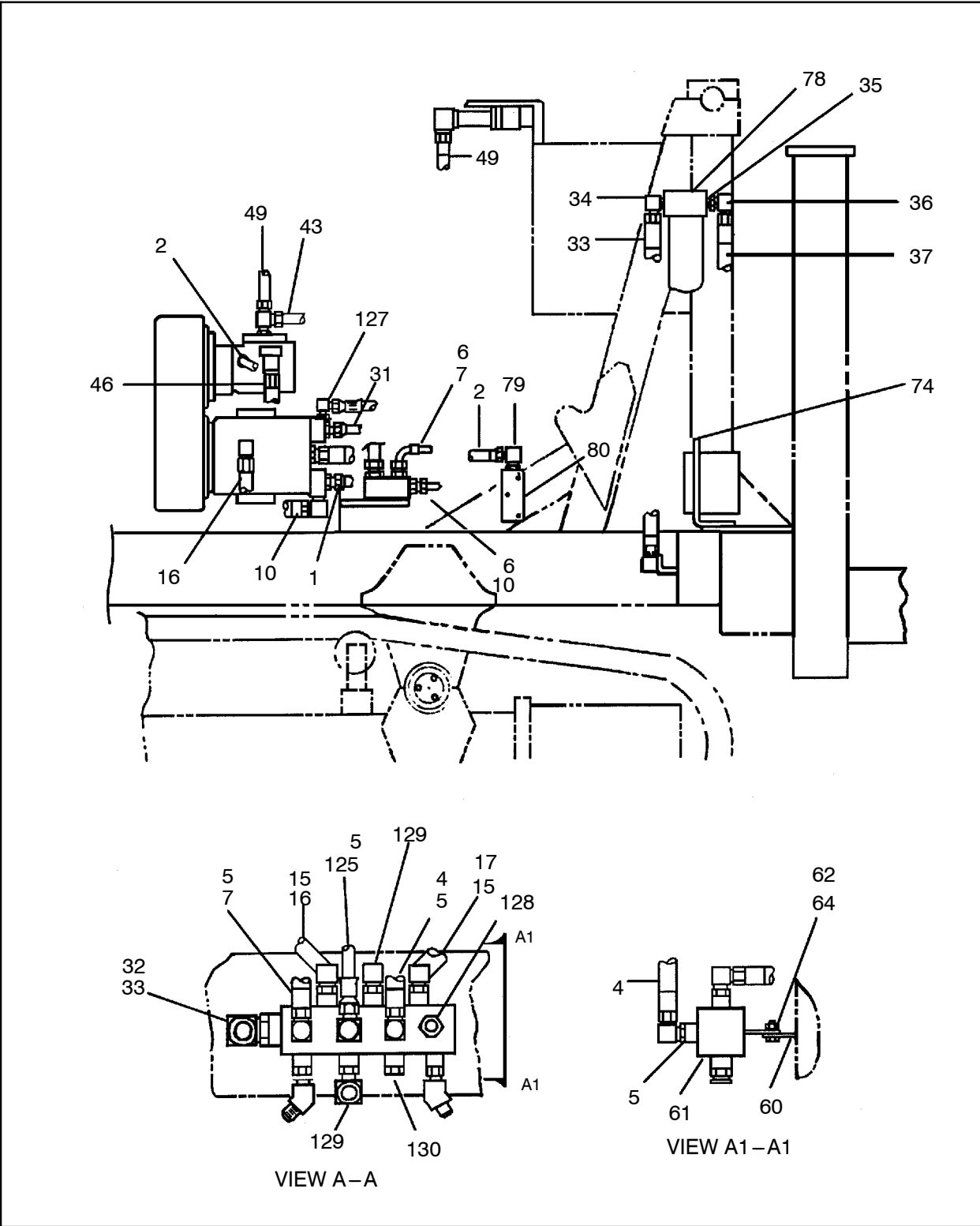


Figure 134 :PIPING,MAIN HYD CL TIER2
E57502023 REV 005

57661746 PIPING,MAIN HYD CL TIER2



PIPING,MAIN HYD CL TIER2
57661746

Figure 135 :PIPING,MAIN HYD CL TIER2
E57502023 REV 005

57661746 PIPING,MAIN HYD CL TIER2

PIPING,MAIN HYD CL TIER2
57661746

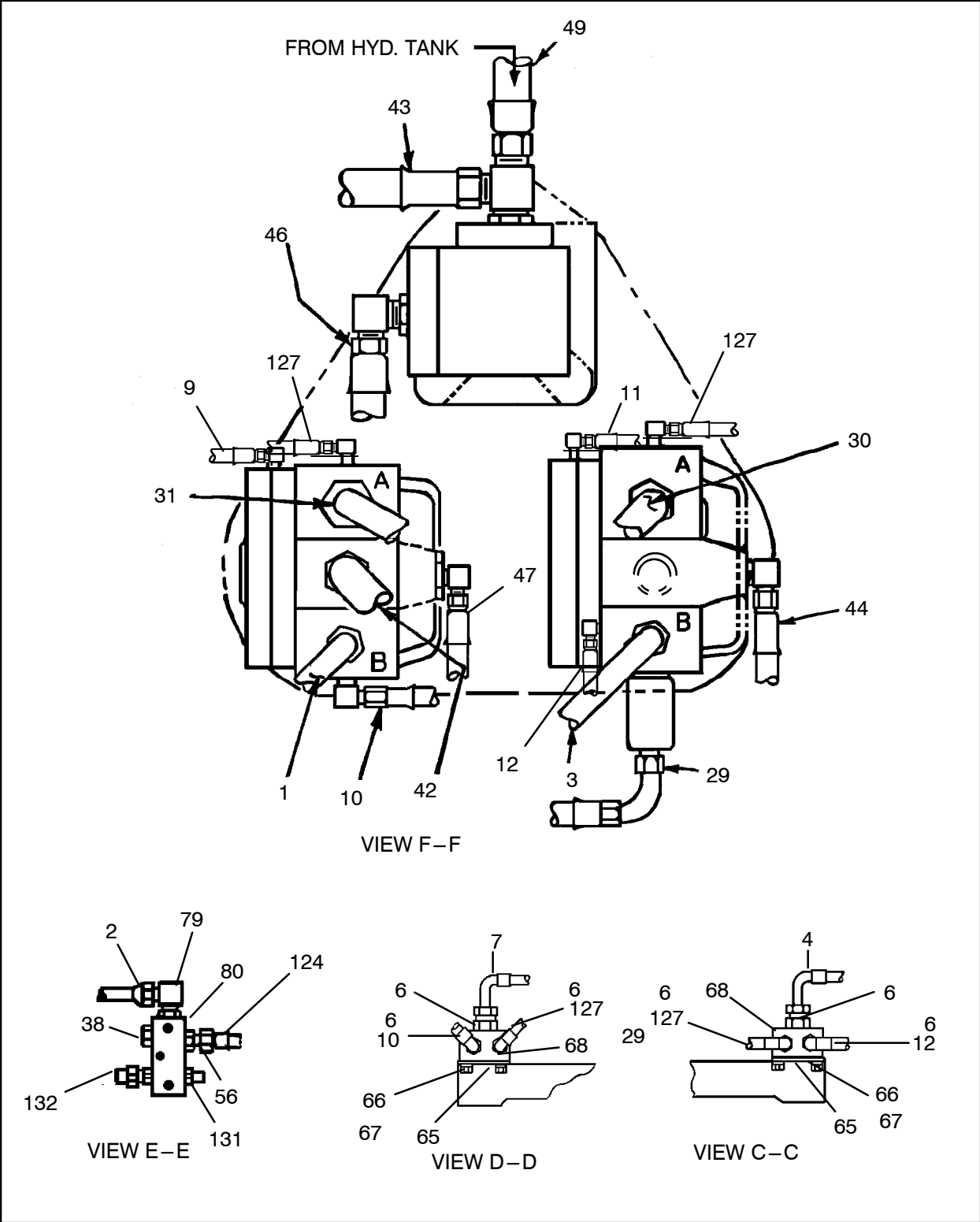
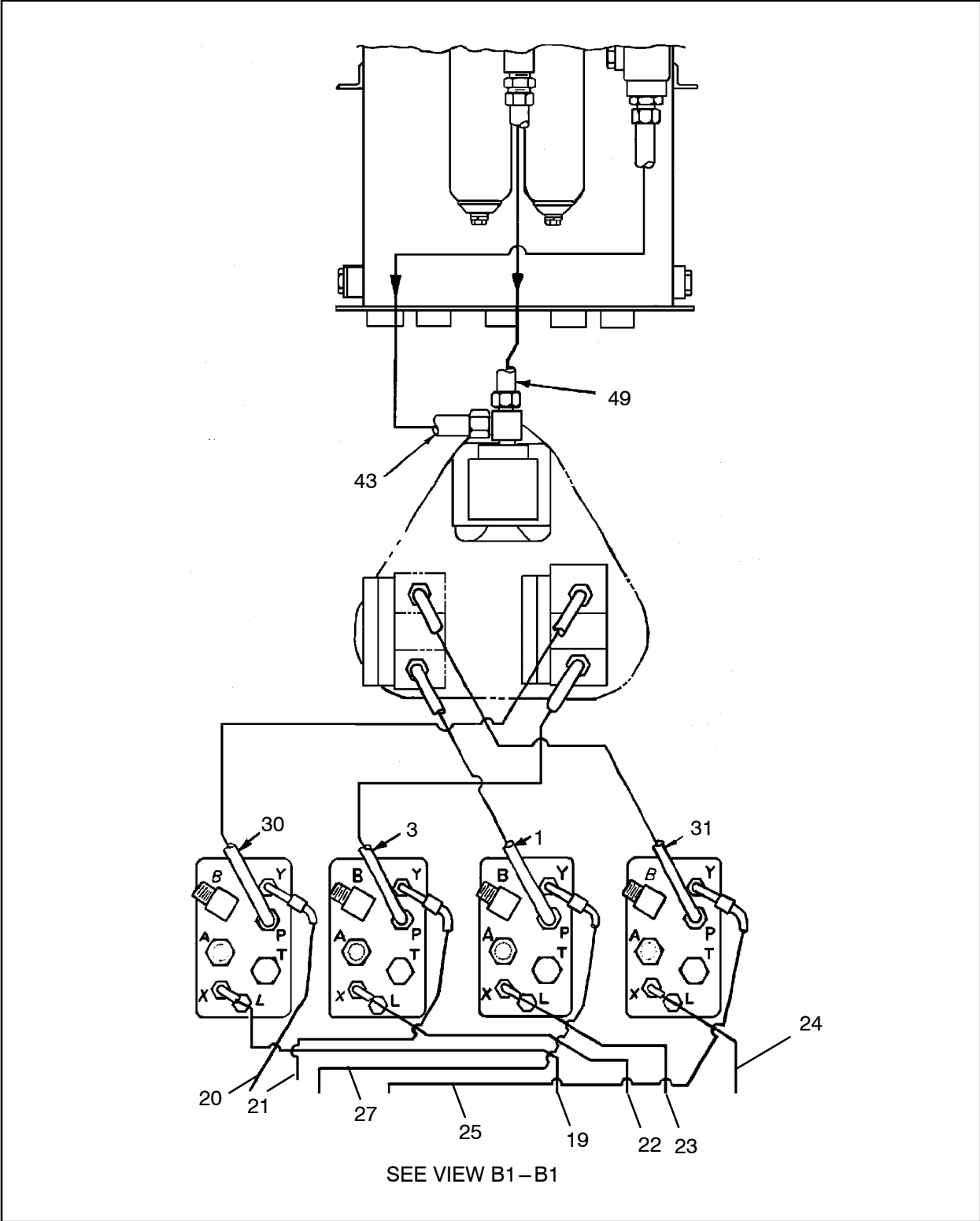


Figure 136 :PIPING,MAIN HYD CL TIER2
E57502023 REV 005

57661746 PIPING,MAIN HYD CL TIER2



PIPING,MAIN HYD CL TIER2
57661746

Figure 137 :PIPING,MAIN HYD CL TIER2
E57502023 REV 005

57661746

PIPING,MAIN HYD CL TIER2

PIPING,MAIN HYD CL TIER2
57661746

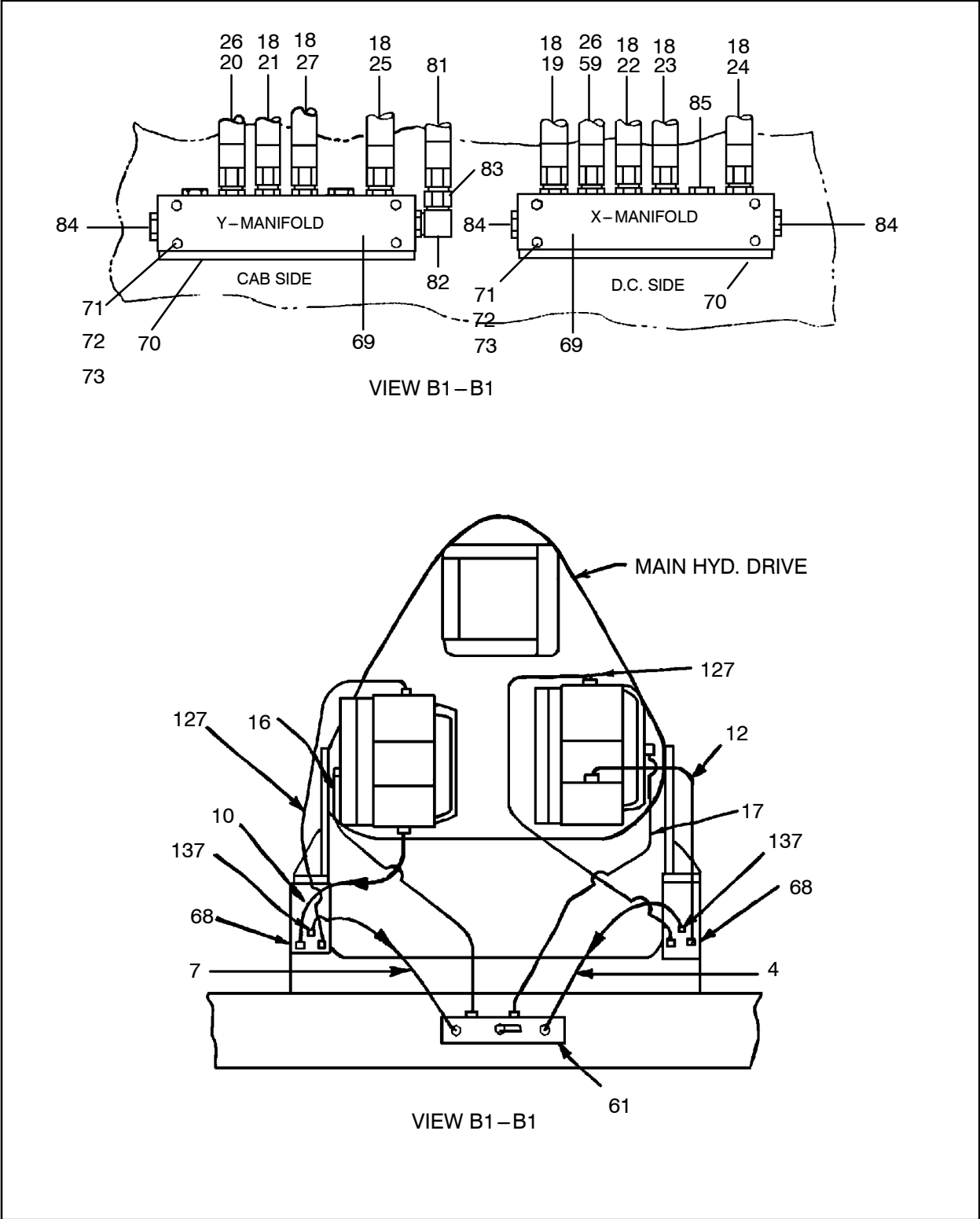


Figure 138 :PIPING,MAIN HYD CL TIER2
E57502023 REV 005

57661746 PIPING,MAIN HYD CL TIER2

PIPING,MAIN HYD CL TIER2
57661746

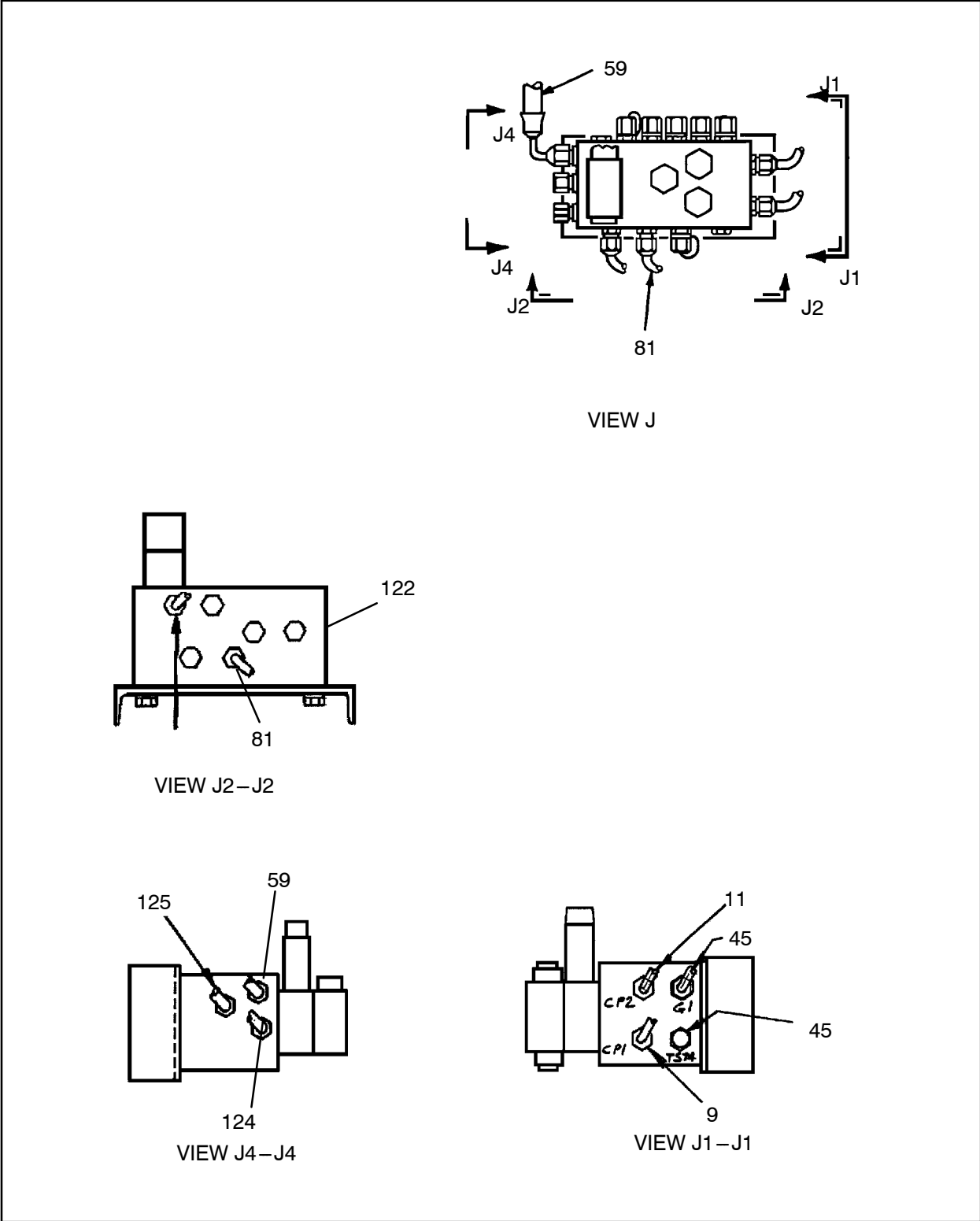


Figure 139 :PIPING,MAIN HYD CL TIER2
E57502023 REV 005

57661746 PIPING,MAIN HYD CL TIER2

PIPING,MAIN HYD CL TIER2
57661746

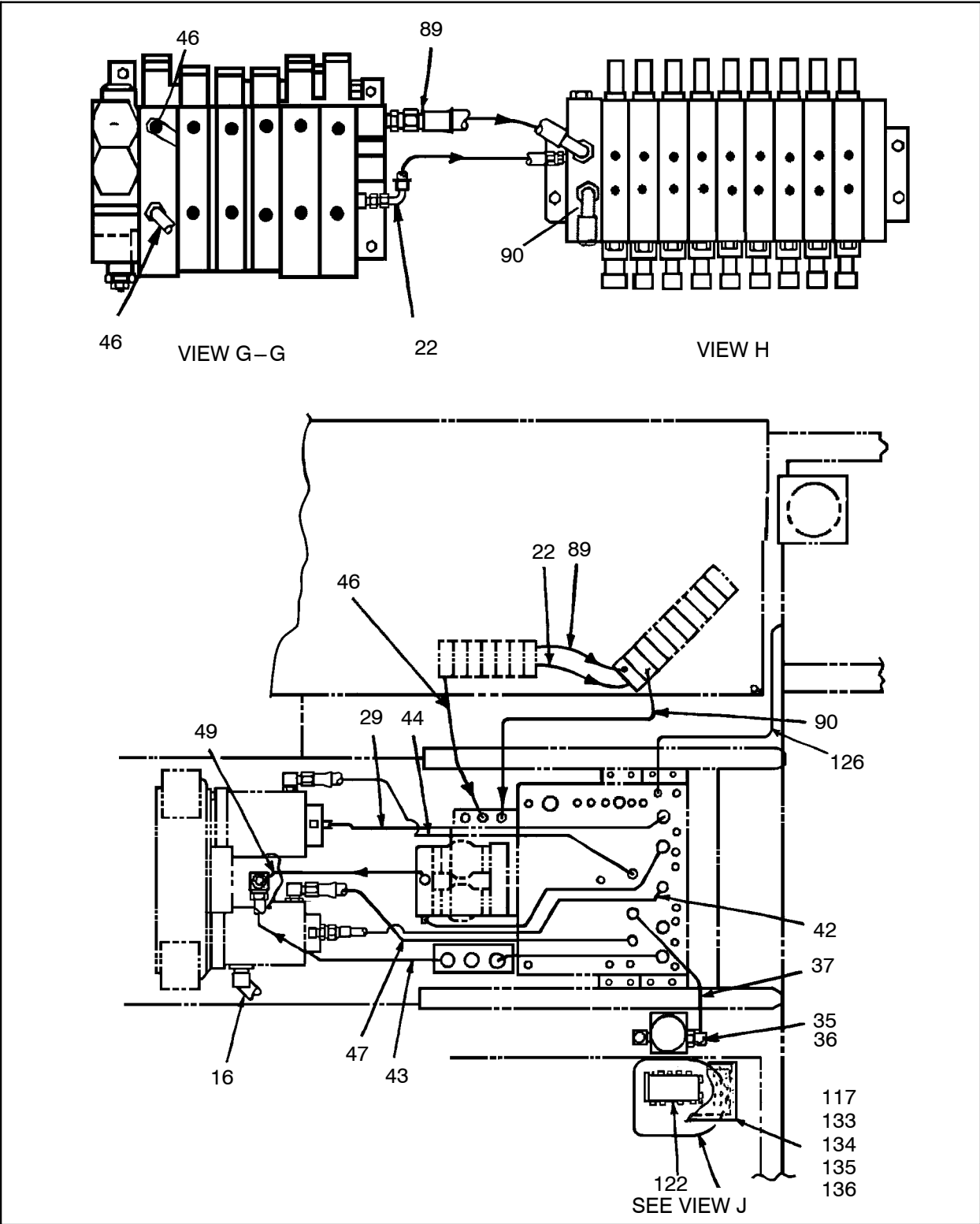


Figure 140 :PIPING,MAIN HYD CL TIER2
E57502023 REV 005

57661746 PIPING,MAIN HYD CL TIER2

REF.	PART NO.	QTY.	UNIT	DESCRIPTION
001	56275365	1	EA	HOSE ASSY
002	57610552	1	EA	HOSE ASSEMBLY
003	56275365	1	EA	HOSE ASSY
004	56955644	1	EA	HOSE ASSY
005	95330692	3	EA	ELBOW,90 DEG STRT THRD
006	95303368	6	EA	CONNECTOR,STRT THRD
007	56955644	1	EA	HOSE ASSY
009	57020778	1	EA	HOSE ASSY
010	57480774	1	EA	HOSE ASSY
011	57020760	1	EA	HOSE ASSY
012	57480774	1	EA	HOSE ASSY
015	57167934	2	EA	FITTING, L90-120FSX12SAE
016	57229676	1	EA	HOSE ASSY
017	57229676	1	EA	HOSE ASSY
018	95371258	7	EA	FITTING, HYD
019	52226420	1	EA	HOSE ASSY
020	57101438	1	EA	HOSE ASSY
021	57101438	1	EA	HOSE ASSY
022	57101263	2	EA	HOSE ASSY
023	57015505	1	EA	HOSE ASSY
024	57015505	1	EA	HOSE ASSY
025	57101164	1	EA	HOSE ASSY
026	95419594	2	EA	CONNECTOR,STRT THRD
027	57020703	1	EA	HOSE ASSY
029	57661761	1	EA	HOSE ASSEMBLY
030	57661753	1	EA	HOSE ASSEMBLY
031	57661753	1	EA	HOSE ASSEMBLY
032	95829362	1	EA	FITTING, HYD
033	57480808	1	EA	HOSE ASSY
034	95286555	1	EA	FITTING HYD
035	52226164	1	EA	FITTING, HYD
036	95219853	1	EA	ELBOW,90 DEG MALE
037	56974140	1	EA	HOSE ASSY
038	95280541	1	EA	FITTING, HYD
042	57464810	1	EA	HOSE ASSY
043	57060071	1	EA	HOSE ASSY
044	56950546	1	EA	HOSE ASSY

PIPING,MAIN HYD CL TIER2

57661746

57661746 PIPING,MAIN HYD CL TIER2

PIPING,MAIN HYD CL TIER2
57661746

REF.	PART NO.	QTY.	UNIT	DESCRIPTION
045	57443871	2	EA	HOSE ASSY
046	56954019	2	EA	HOSE ASSY
047	56971534	1	EA	HOSE ASSY
049	57661787	1	EA	HOSE ASSEMBLY
056	95356903	1	EA	CONNECTOR,STRT THRD
059	57101420	1	EA	HOSE ASSY
060	50348804	1	EA	PLATE
061	57431983	1	EA	MANIFOLD,RETURN SAEPORTS
062	95934451	2	EA	SCREW,CAP,HEXHEAD,PLATED
064	95934733	2	EA	WASHER,LOCK
065	57244980	2	EA	PLATE, MTG
066	95934576	4	EA	SCREW,CAP-3/8-16 X 7/8
067	95937413	4	EA	WASHER,LOCK,HELICAL
068	57244352	2	EA	VALVE, PUMP RELIEF
069	57350076	2	EA	MANIFOLD,HYD. ORING THDS
070	56970601	2	EA	BRACKET
071	95958369	8	EA	SCREW, CAP-1/4-20 X2-3/4
072	95931564	8	EA	NUT,HEX,FINISHED
073	95934766	8	EA	WASHER,LOCK,HELICAL
074	57450751	1	EA	VALVE ASSY, DIVERTER
075	95934550	2	EA	CAPSCREW,HEX HEAD
076	57361578	1	EA	BRACKET, FILTER
077	95937413	2	EA	WASHER,LOCK,HELICAL
078	50630656	1	EA	FILTER, MAGNETIC
079	95829362	1	EA	FITTING, HYD
080	57024044	1	EA	BLOCK, MANIFOLD
081	52226768	1	EA	HOSE ASSY
082	95330692	1	EA	ELBOW,90 DEG STRT THRD
083	56999246	1	EA	FITTING, HYD
084	95280541	3	EA	FITTING, HYD
085	95323465	1	EA	PLUG,HEX HEAD,STRT THRD
089	57277444	1	EA	HOSE ASSY
090	57496283	1	EA	HOSE ASSY
096	57329583	1	EA	SUBPLATE, MANIFOLD
097	95934600	3	EA	SCREW,CAP-3/8-16 X 3-1/2
098	95937413	3	EA	WASHER,LOCK,HELICAL
099	95922233	3	EA	WASHER,FLAT,WIDE

(See figure 141)

(See figure 143)

57661746 PIPING,MAIN HYD CL TIER2

REF.	PART NO.	QTY.	UNIT	DESCRIPTION
117	57534927	1	EA	COVER, STEP
122	57576969	1	EA	VALVE ASSY-DR/PR CONTROL (See figure 144)
124	57498230	1	EA	HOSE ASSY
125	57014375	1	EA	HOSE ASSY
126	56972680	1	EA	HOSE ASSY
127	57337123	2	EA	HOSE ASSY
128	95356903	1	EA	CONNECTOR,STRT THRD
129	95280186	2	EA	ELBOW,90 DEG STRT THRD
130	95343596	1	EA	PLUG,HEX HEAD,O'RING
131	95323465	1	EA	PLUG,HEX HEAD,STRT THRD
132	95402830	1	EA	CONNECTOR,STRT THRD
133	52240959	4	EA	PLATE, TAPPED
134	95958351	4	EA	SCREW, CAP-1/4-20 X 7/8
135	95959128	4	EA	LOCKWASHER (REG.)
136	95922183	4	EA	WASHER, FLAT-1/4
137	57328676	2	EA	FITTING, TEST

PIPING,MAIN HYD CL TIER2

 57661746

57450751 VALVE ASSY, DIVERTER

PIPING, MAIN HYD CL TIER2
57661746

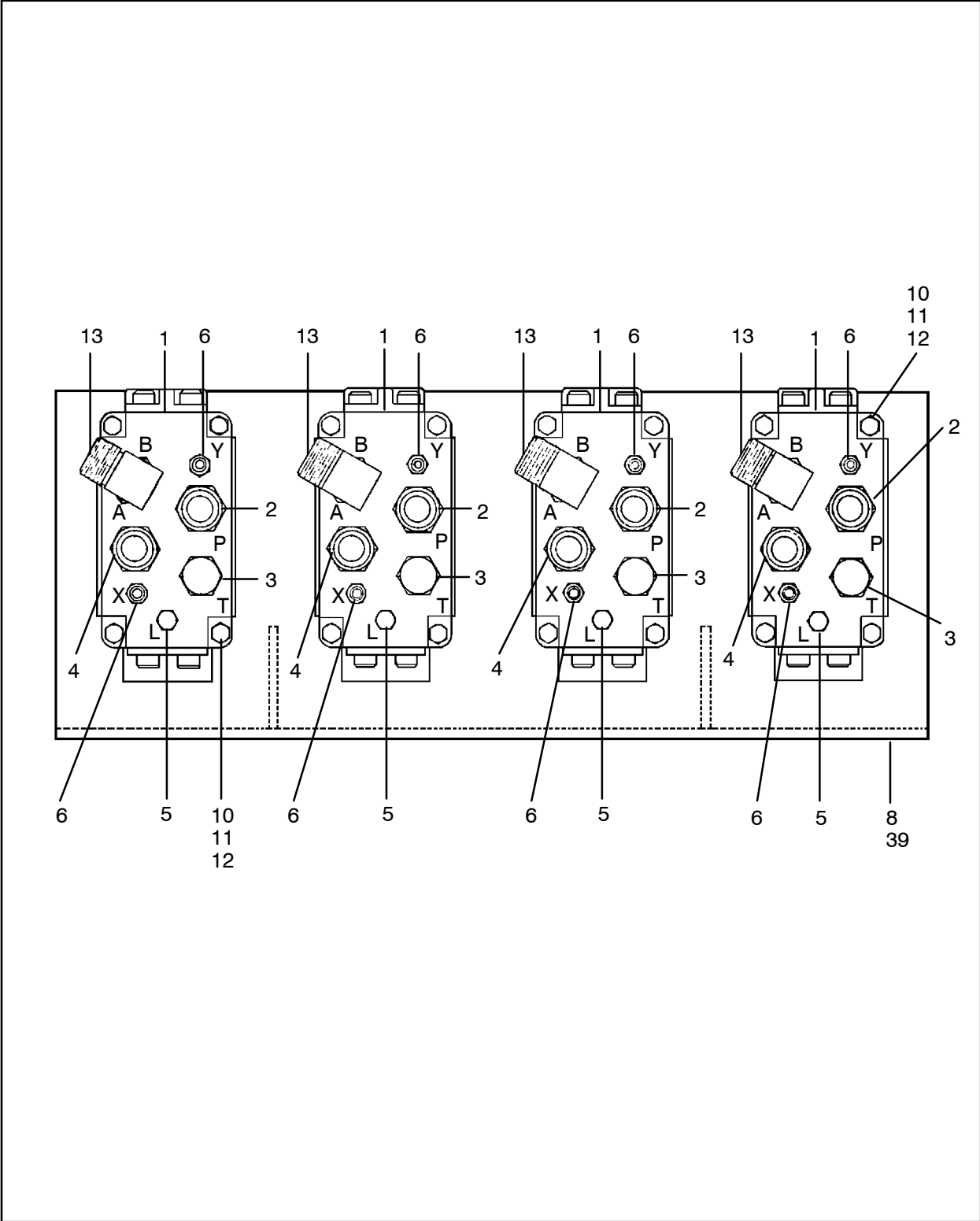


Figure 141 :VALVE ASSY, DIVERTER
D57450751 REV 02

57450751 VALVE ASSY, DIVERTER

REF.	PART NO.	QTY.	UNIT	DESCRIPTION
001	57106429	4	EA	VALVE, DIVERTER <i>(See figure 142)</i>
002	57279622	4	EA	FITTING,STR,20OFS X16SAE
003	95735346	4	EA	FITTING, HYD
004	57319683	4	EA	FITTING,STR,16OFS X16SAE
005	95666996	4	EA	PLUG,HEX HEAD,STRT THRD
006	95371258	8	EA	FITTING, HYD
008	57454910	1	EA	MOUNT, DIVERTER VALVE
010	95934592	16	EA	CAPSCREW,HEX HEAD
011	95937413	16	EA	WASHER,LOCK,HELICAL
012	95922894	16	EA	NUT,HEX,FINISHED
013	57214116	4	EA	FITTING,L90,20OFS X16SAE
039	95934378	4	EA	CAPSCREW,HEX-HEAD,PLATED

PIPING,MAIN HYD CL TIER2

57661746

57106429 VALVE, DIVERTER

PIPING, MAIN HYD CL TIER2
57661746

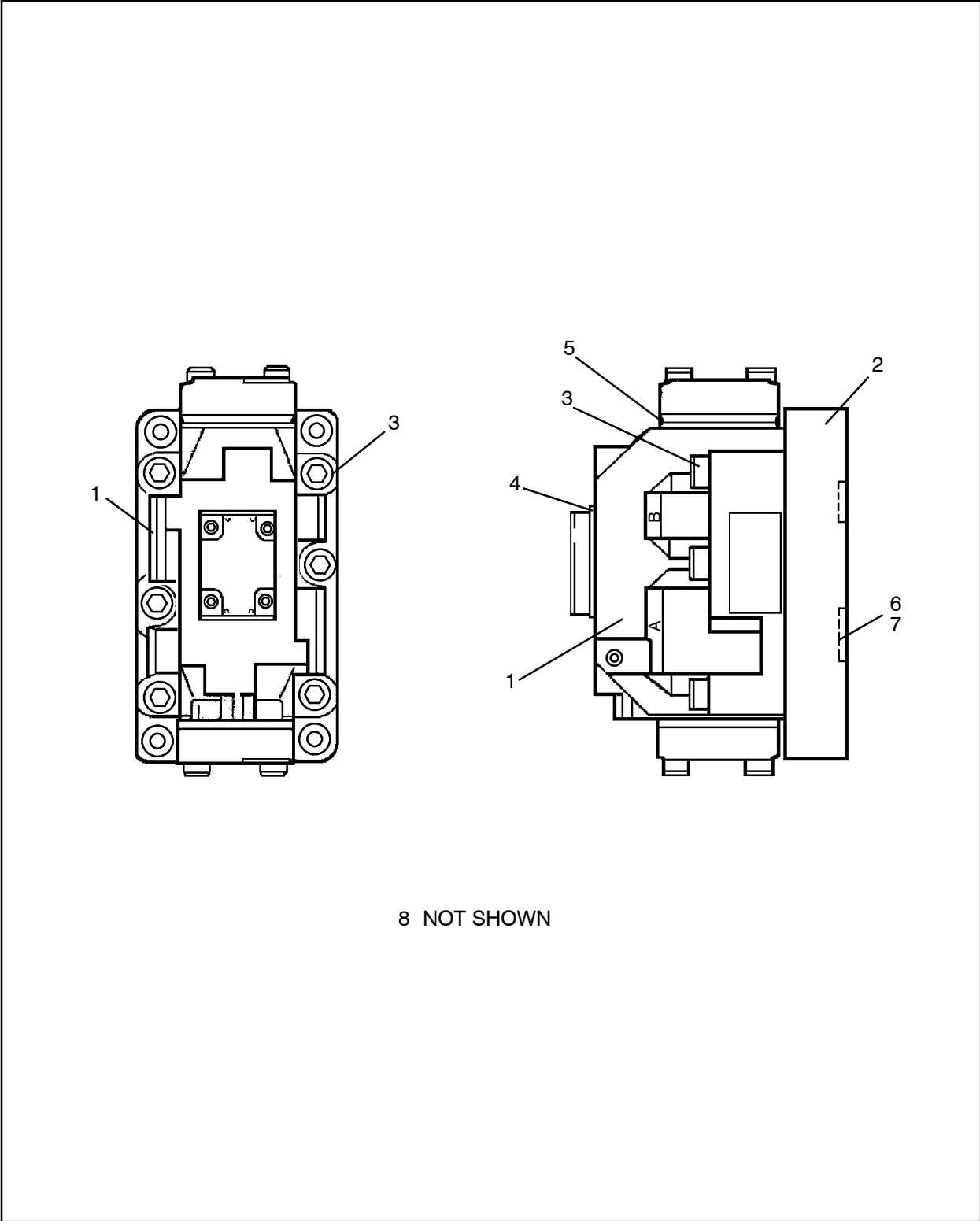


Figure 142 :VALVE, DIVERTER
D57106429 REV 02

57106429 VALVE, DIVERTER

REF.	PART NO.	QTY.	UNIT	DESCRIPTION
001	57106460	1	EA	VALVE, 4-WAY
	57107914	1	EA	● - KIT,SEAL
002	57106965	1	EA	SUBPLATE
003	51076271	1	EA	BOLT KIT
004	57107906	2	EA	O-RING
005	51076156	2	EA	O-RING
006	51076172	2	EA	O-RING
007	51076164	4	EA	O-RING
008	57107914	0	EA	KIT,SEAL

PIPING,MAIN HYD CL TIER2
57661746

50630656 FILTER, MAGNETIC

PIPING, MAIN HYD CL TIER2
57661746

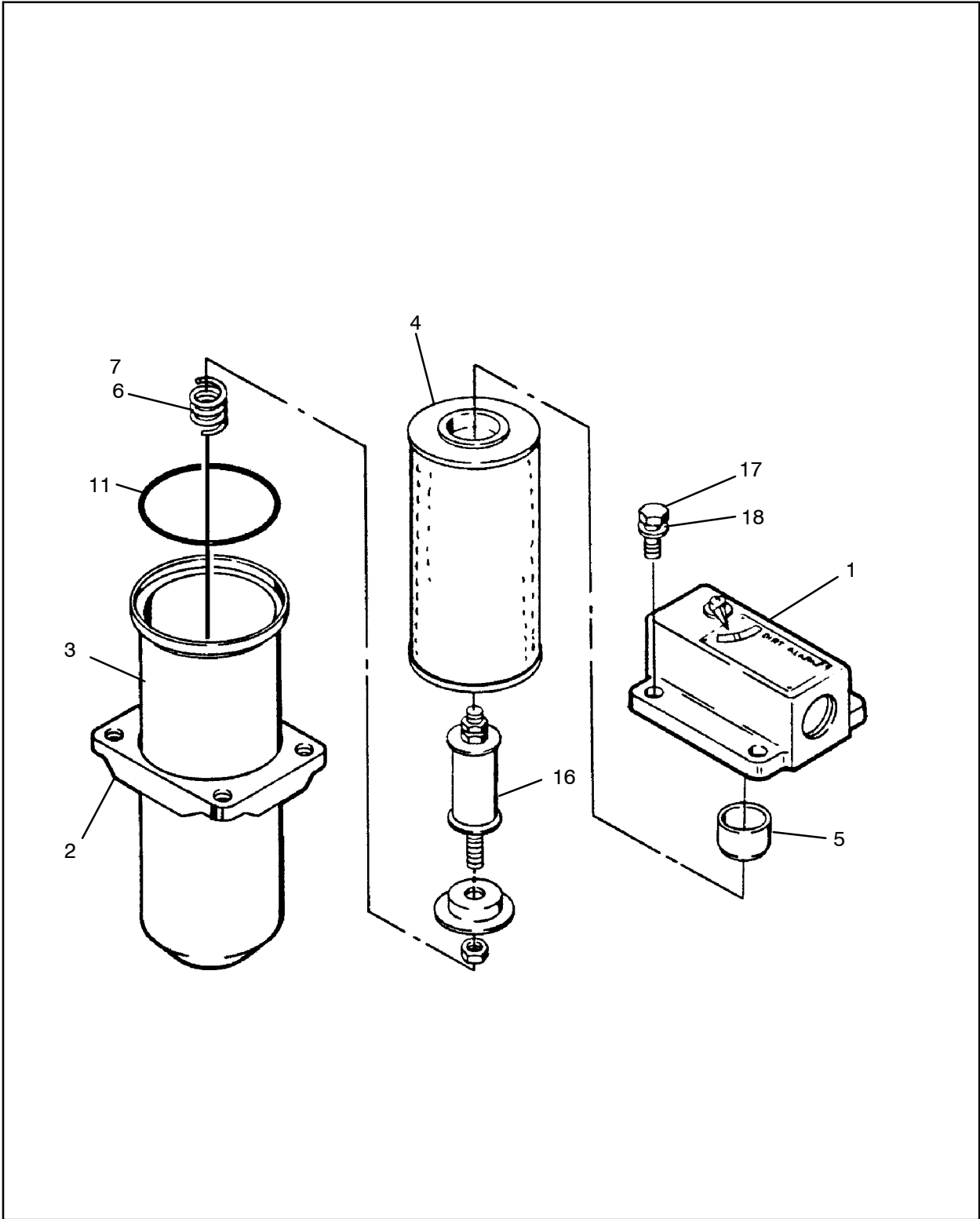


Figure 143 :FILTER, MAGNETIC
D50630656 REV 02

50630656 FILTER, MAGNETIC

REF.	PART NO.	QTY.	UNIT	DESCRIPTION
001	50815646	1	EA	ALARM, DIRTY FILTER
002	50815711	1	EA	RING,RETAING
003	50815703	1	EA	HOUSING, SINGLE ELEMENT
004	50343490	1	EA	ELEMENT, FILTER-3 MICRON
005	50815653	1	EA	ELEMENT, BUSHING
006	50709336	1	EA	SPRING, COMPRESSION
007	50815679	1	EA	SPRING PLATE
011	50815695	1	EA	O-RING
016	50815661	1	EA	MAGNET ASSY
017	95920708	4	EA	CAPSCREW,HEX HEAD,PLATED
018	95081667	4	EA	WASHER,FLAT,WIDE

PIPING,MAIN HYD CL TIER2
57661746

57576969 VALVE ASSY-DR/PR CONTROL

PIPING, MAIN HYD CL TIER2
 57661746

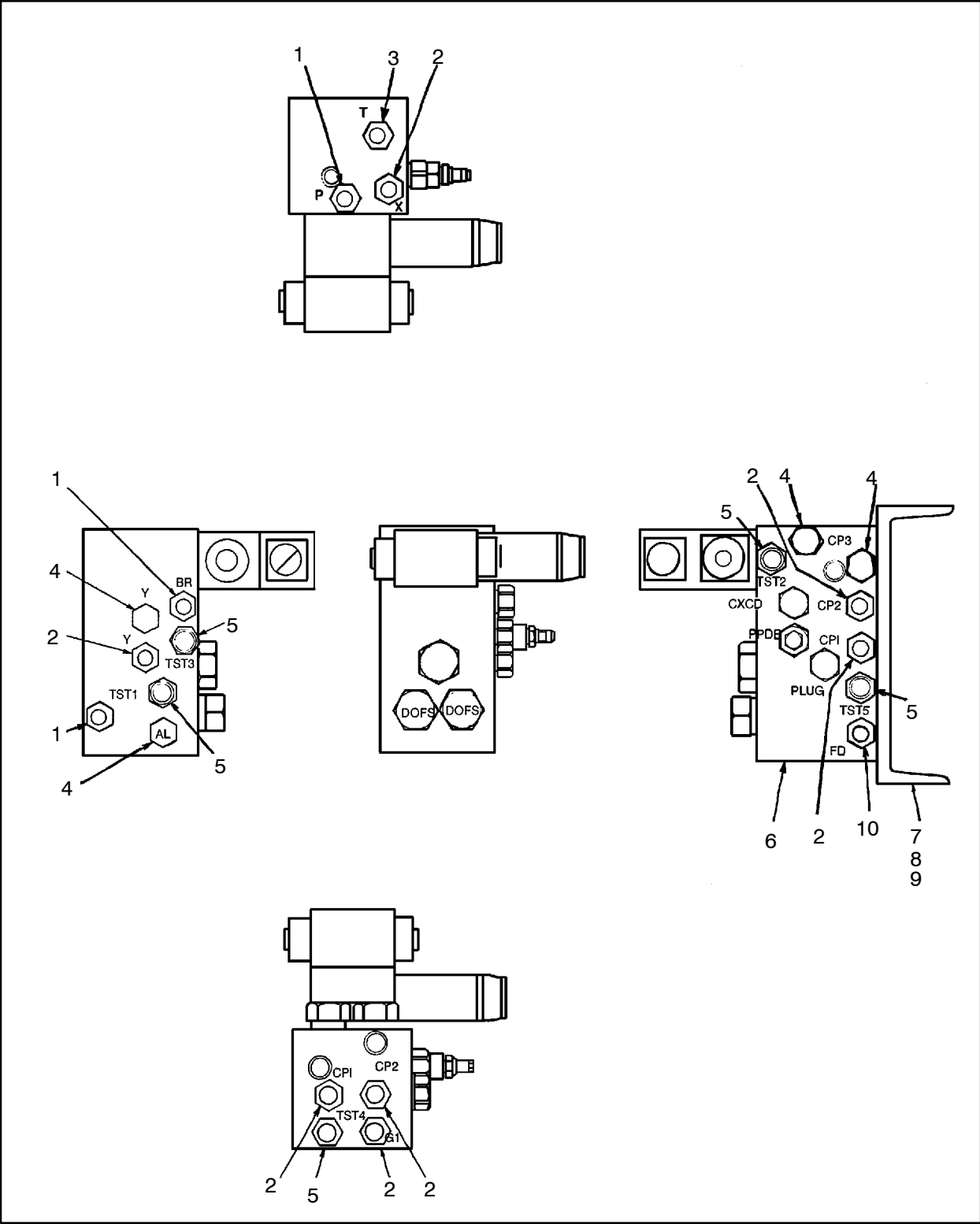


Figure 144 :VALVE ASSY- DR/PR CONTROL
 C57576969 REV 000

57576969 VALVE ASSY-DR/PR CONTROL

REF.	PART NO.	QTY.	UNIT	DESCRIPTION
001	95365078	2	EA	CONNECTOR,STRT THRD
002	95371258	8	EA	FITTING, HYD
003	95303368	1	EA	CONNECTOR,STRT THRD
004	95666996	4	EA	PLUG,HEX HEAD,STRT THRD
005	57328676	4	EA	FITTING, TEST
006	54418116	1	EA	VALVE-DR/PR CONTROL
	54418108	1	EA	● - MANIFOLD ASSY-DR/PR CONT
	54417993	1	EA	● - VALVE,RELIEF
	57301012	1	EA	● - SEAL KIT- VALVE CART.
	57325664	1	EA	● - VALVE, REDUCING CART.
	59476705	1	EA	● - SEAL KIT
	57325649	2	EA	● - VALVE, 2-WAY CART.
	57303737	1	EA	● - SEAL KIT
	57325623	1	EA	● - VALVE, 4-WAY D03
	57516346	2	EA	● - SOLENOID
	54406046	1	EA	● - BLOCK,VALVE TERMINAL
	54418546	1	EA	● - SEAL KIT
	95491841	4	EA	● - SCREW, CAP-NO.10-24 X 2
007	57341414	1	EA	BRACKET,DR/PR VALVE
008	95935227	3	EA	SCREW, CAP-5/16-18X1-1/4
009	95922621	3	EA	LOCKWASHER-5/16 HEAVY
010	57319618	1	EA	FITTING,STR,06OFS X06SAE

PIPING,MAIN HYD CL TIER2

 57661746

57482564 PIPING, HYDRAULIC TANK

PIPING, HYDRAULIC TANK
57482564

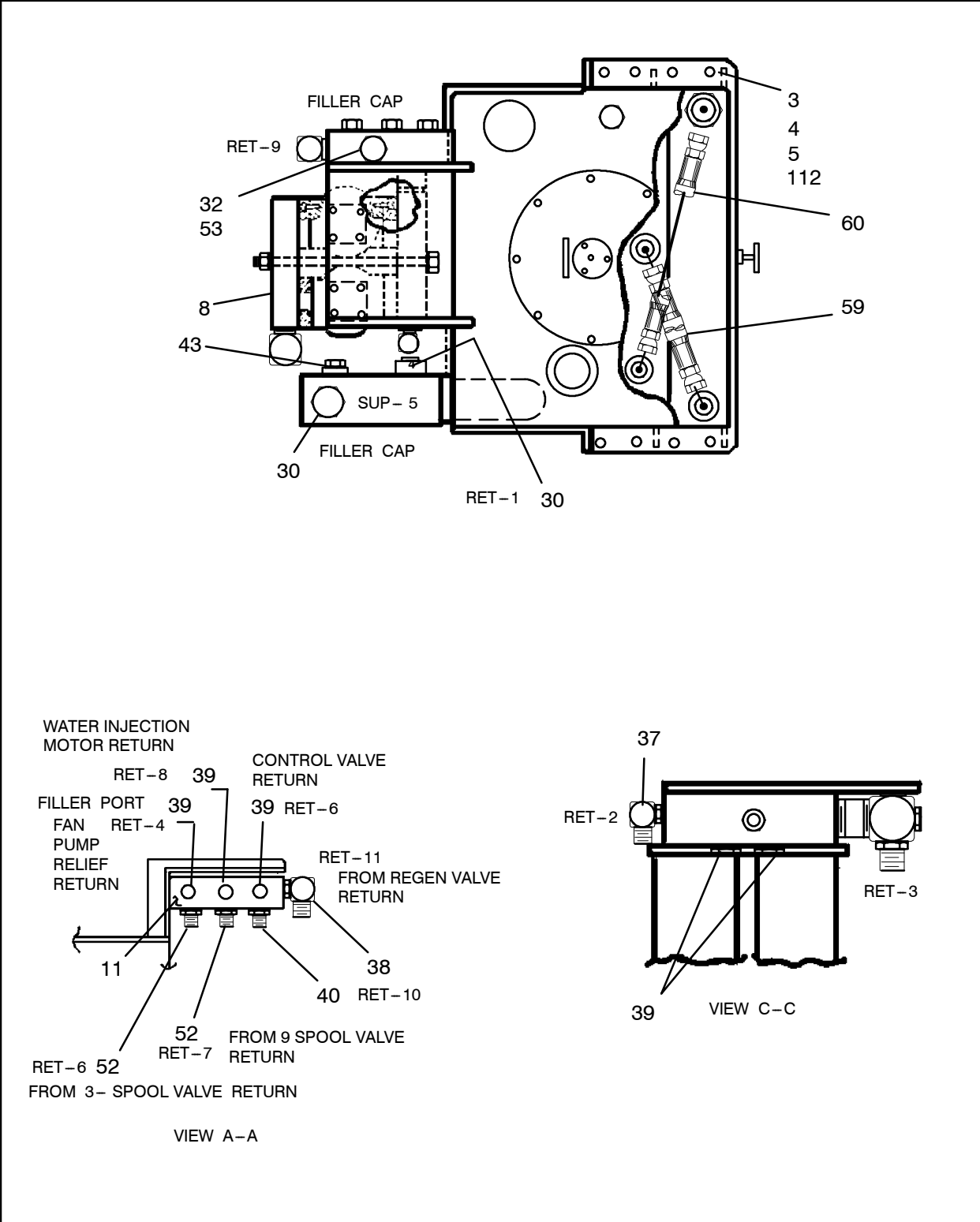
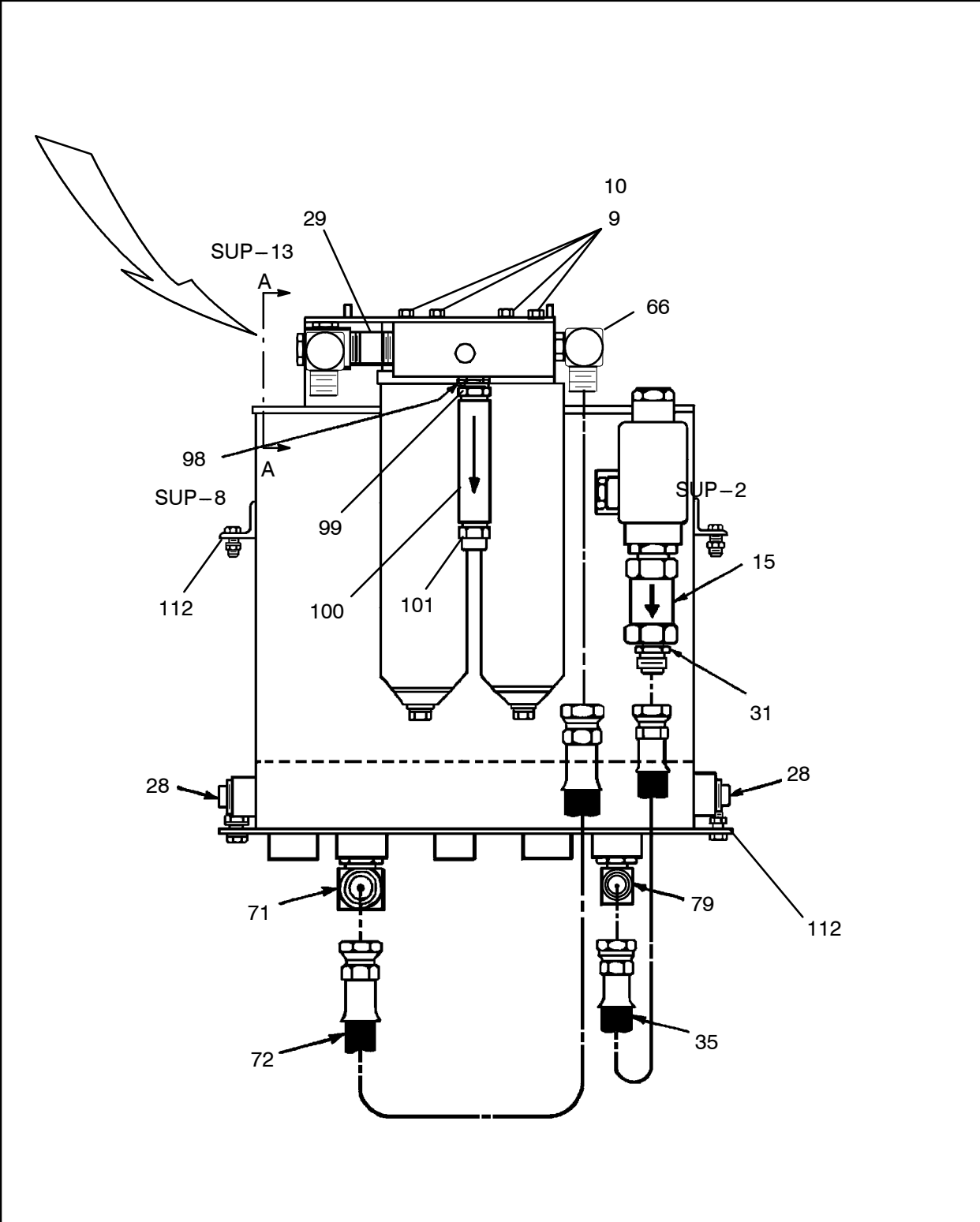


Figure 156 :PIPING, HYDRAULIC TANK
E57482564 REV 005

57482564 PIPING, HYDRAULIC TANK



PIPING, HYDRAULIC TANK
57482564

Figure 157 :PIPING, HYDRAULIC TANK
E57482564 REV 005

57482564 PIPING, HYDRAULIC TANK

PIPING, HYDRAULIC TANK
57482564

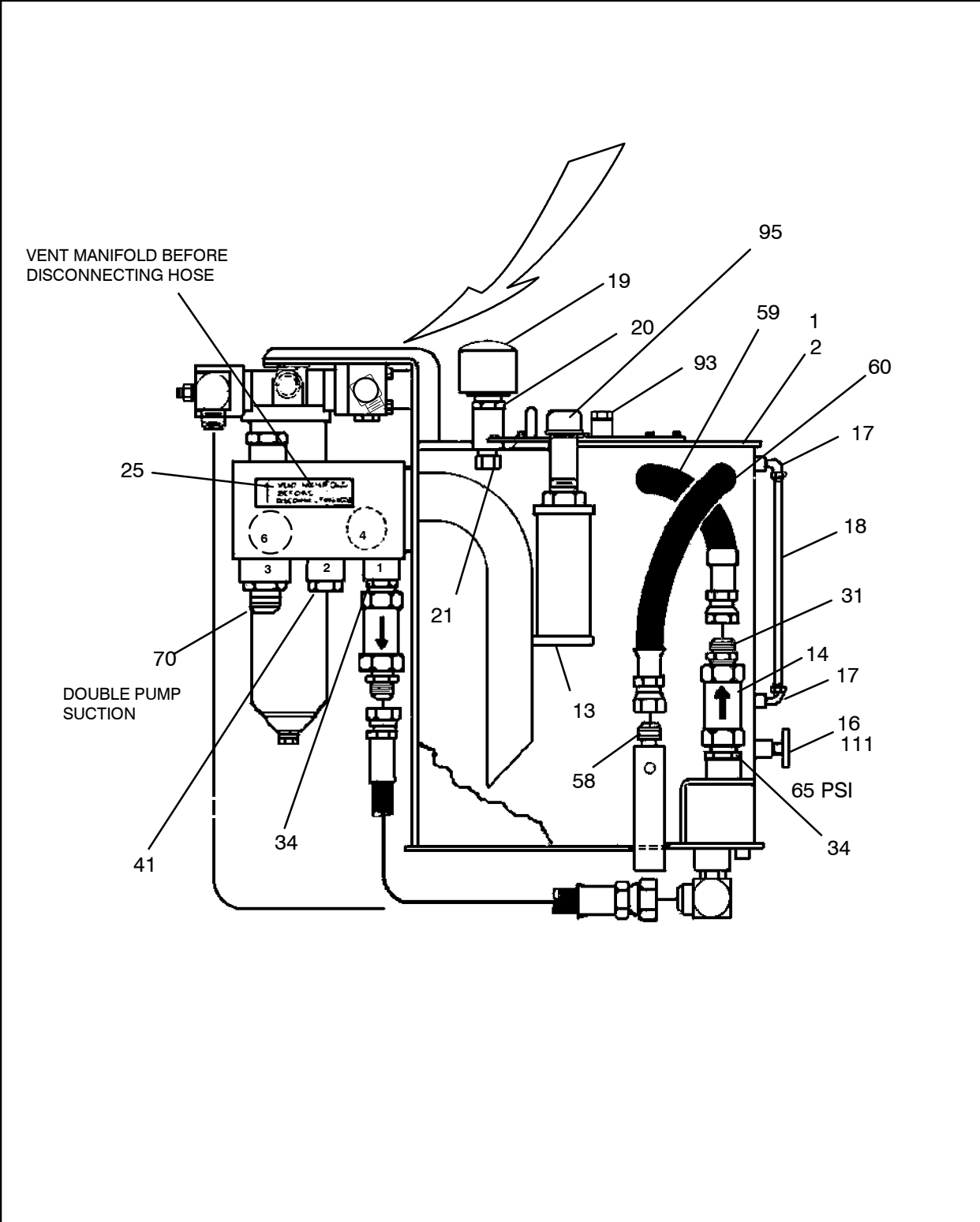
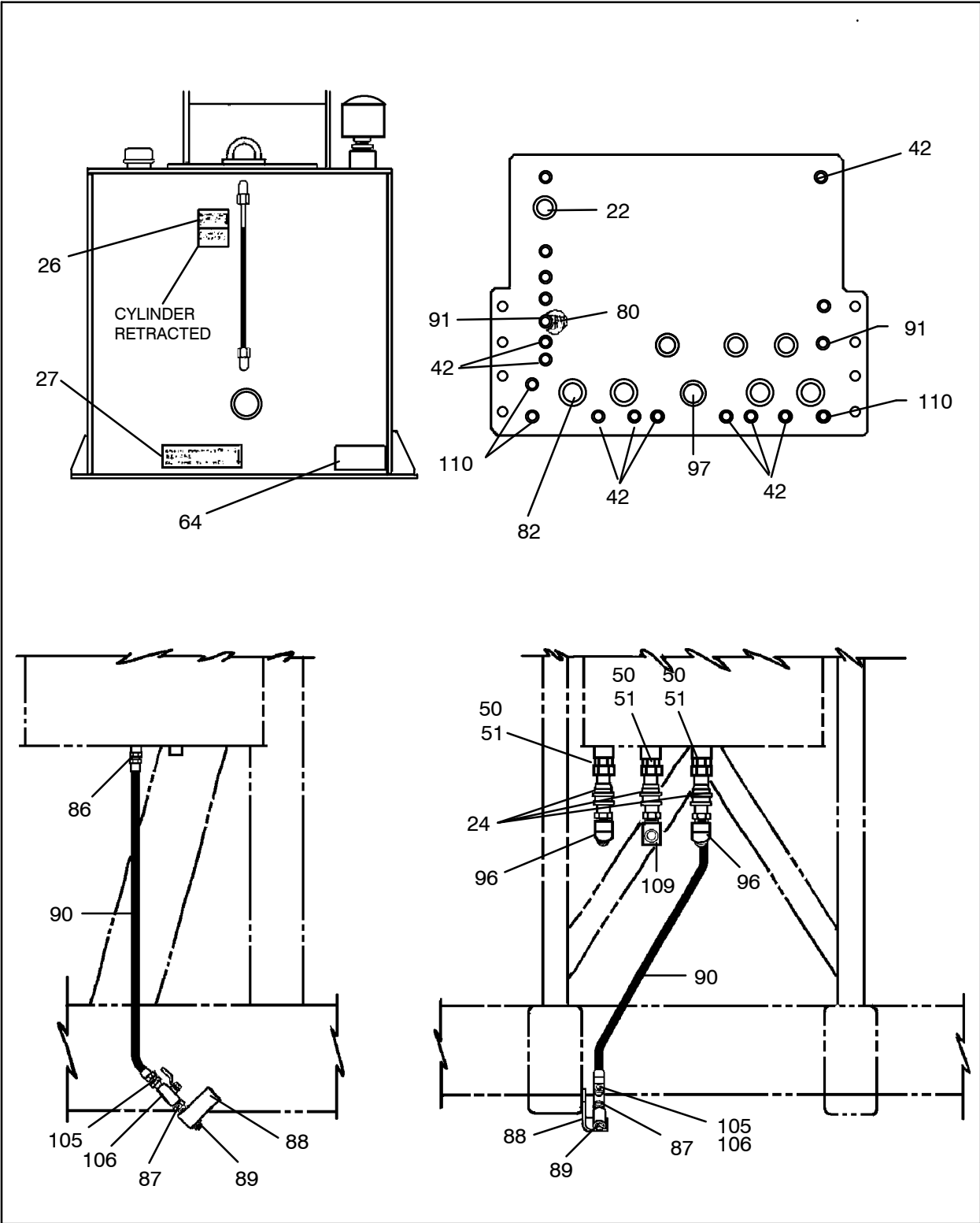


Figure 158 :PIPING, HYDRAULIC TANK
E57482564 REV 005

57482564 PIPING, HYDRAULIC TANK



PIPING, HYDRAULIC TANK
57482564

Figure 159 :PIPING, HYDRAULIC TANK
E57482564 REV 005

57482564 PIPING, HYDRAULIC TANK

PIPING, HYDRAULIC TANK
57482564

REF.	PART NO.	QTY.	UNIT	DESCRIPTION	
001	57582322	1	EA	RESERVOIR, HYDRAULIC	(See figure 160)
002	52223781	150.00	GL	OIL, HYDRAULIC	
003	95104188	12	EA	SCREW, CAP-1/2-13 X1-3/4	
004	95934733	12	EA	WASHER, LOCK	
005	95922902	12	EA	NUT, HEX, FINISHED, PLATED	
008	52254885	1	EA	FILTER, HYDRAULIC	(See figure 162)
009	95920682	8	EA	SCREW, CAP-3/8-16 X1-1/4	
010	95937413	8	EA	WASHER, LOCK-3/8 PLATED	
011	57482556	1	EA	MANIFOLD, RETURN	
013	50247691	1	EA	STRAINER, OIL	
014	50261825	2	EA	VALVE, CHECK	
015	50247733	1	EA	VALVE, CHECK	
016	50463454	1	EA	THERMOMETER	
017	50364199	2	EA	FITTING, TUBE	
018	50247709	16.00	IN	TUBING, VINYL	
019	50903236	1	EA	BREATHER	
020	95038105	1	EA	BUSHING, PIPE-REDUCING	
021	50811173	1	EA	VENT	
022	95326955	1	EA	PLUG W/O RNG	
024	57167132	3	EA	DISCONNECT	
025	50829704	1	EA	DECAL, VENT MANIFOLD	
026	50810993	1	EA	DECAL, HYD.OIL LEVEL	
027	50829712	1	EA	DECAL, DRAIN MANIFOLD	
028	95404323	2	EA	PLUG, PIPE-2 SQ C'SUNK	
029	50691831	1	EA	NIPPLE	
030	95663803	2	EA	FITTING, TUBE	
031	95219770	3	EA	FITTING, HYD	
032	57328676	1	EA	FITTING, TEST	
034	50691690	3	EA	ADAPTER	
035	57449415	1	EA	HOSE ASSY	
037	95280186	1	EA	FITTING, HYD	
038	57233983	1	EA	FITTING, L90, 16OFS X20SAE	
039	95280541	5	EA	FITTING, HYD	
040	95356986	1	EA	FITTING, HYD	
041	95361028	1	EA	PLUG-W/O-RNG	
042	95343596	13	EA	PLUG, WITH O-RING	
043	95735346	2	EA	FITTING, HYD	

57482564 PIPING, HYDRAULIC TANK

REF.	PART NO.	QTY.	UNIT	DESCRIPTION
050	95219762	3	EA	FITTING, HYD
051	95266433	3	EA	O-RING
052	57438483	1	EA	ADAPTER
053	95402830	1	EA	FITTING
058	95315289	1	EA	FITTING
059	56973027	1	EA	HOSE ASSY
060	56956675	1	EA	HOSE ASSY
064	52223807	1	EA	DECAL, HYDRAULIC OIL
066	95431292	1	EA	FITTING, HYD
070	95371241	1	EA	ADAPTER, STR.-JIC/O-RING
071	95371209	1	EA	ADAPTER, 90DEG-O-RING/JIC
072	56254253	1	EA	HOSE ASSY
079	95357604	1	EA	ADAPTER, 90DEG-ORING/JIC
080	95303335	1	EA	FITTING, HYD
082	95376133	1	EA	ADAPTER, 90DEG-O-RING/JIC
086	95356960	1	EA	FITTING, HYD
087	95219747	1	EA	FITTING, HYD
088	52235363	1	EA	BRACKET, OIL
	95935649	1	EA	●- COUPLING, PIPE FTG
089	95002143	1	EA	PLUG, PIPE-SQ HEAD, 3/4
090	57183832	1	EA	HOSE ASSY
091	95323465	2	EA	PLUG HEAD
093	57352825	1	EA	VALVE, RELIEF
095	95038410	1	EA	CAP, PIPE-1-1/2
096	95279121	2	EA	FITTING
097	57167728	1	EA	VALVE, CHECK-16 JIC
098	95038154	1	EA	BUSHING PIPE
099	95324273	1	EA	FITTING, HYD
100	50261825	1	EA	VALVE, CHECK
101	95219770	1	EA	FITTING, HYD
105	95279378	1	EA	FITTING, HYD
106	50829605	1	EA	VALVE, BALL-1/2
109	95219853	1	EA	FITTING, HYD
110	95371258	3	EA	FITTING, HYD
111	95037412	1	EA	BUSHING
112	57582330	6	EA	SHIM, MTG-HYD TANK

PIPING, HYDRAULIC TANK
 57482564

57582322 RESERVOIR, HYDRAULIC

PIPING, HYDRAULIC TANK
57482564

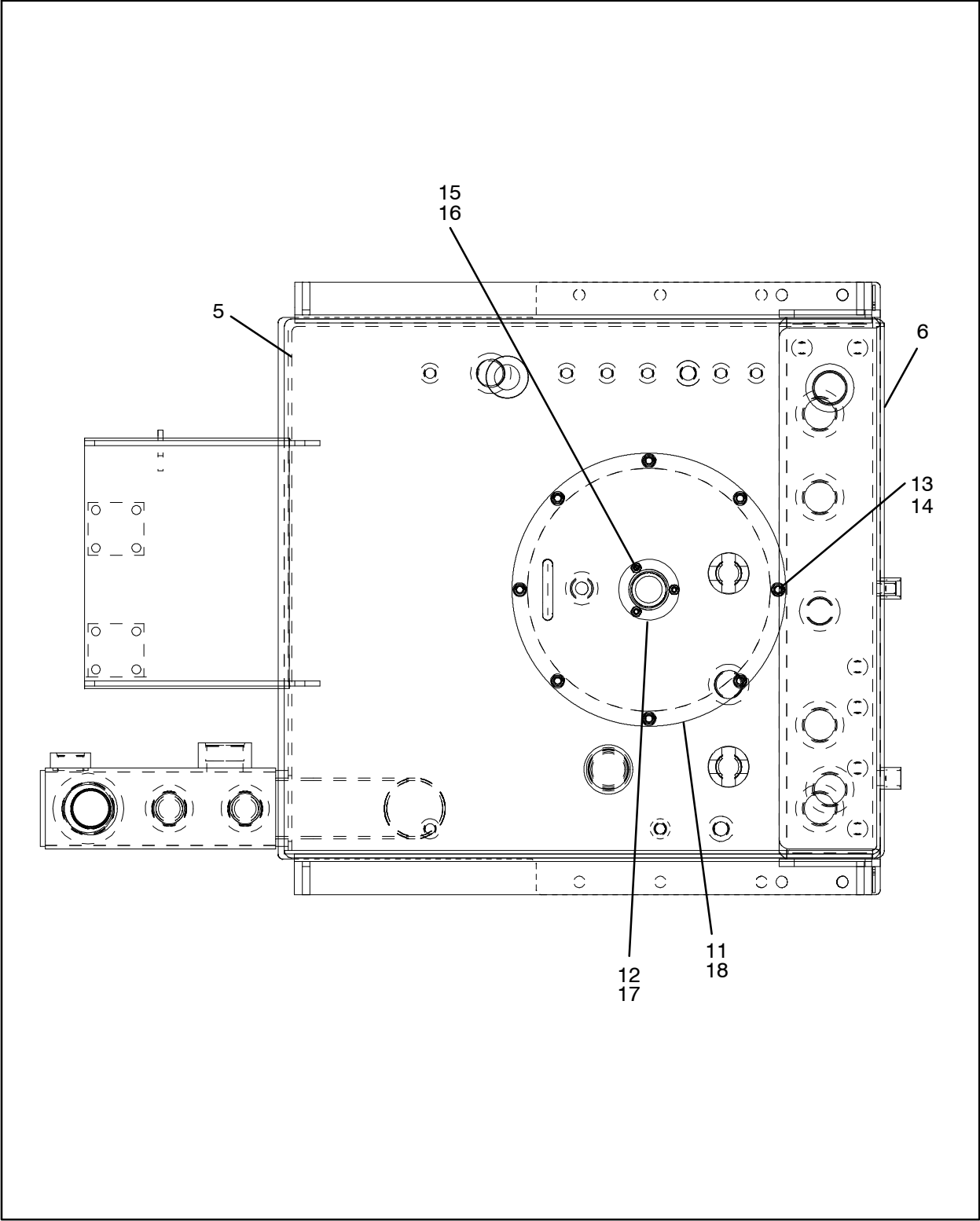
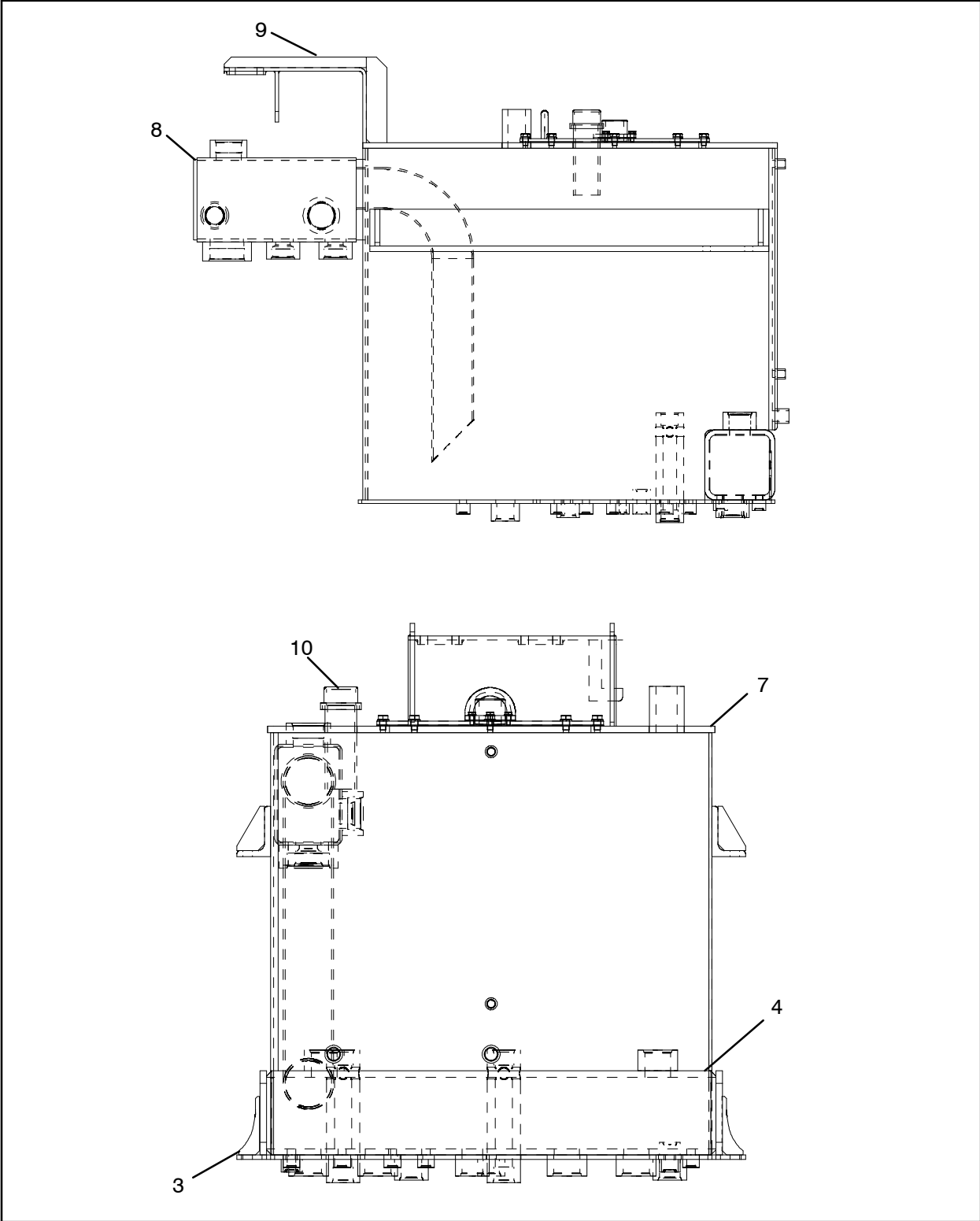


Figure 160 :RESERVOIR, HYDRAULIC
E57582322 REV 000

57582322 RESERVOIR, HYDRAULIC



PIPING, HYDRAULIC TANK
57482564

Figure 161 :RESERVOIR, HYDRAULIC
E57582322 REV 000

57582322 RESERVOIR, HYDRAULIC

PIPING, HYDRAULIC TANK
57482564

REF.	PART NO.	QTY.	UNIT	DESCRIPTION
003	57482887	1	EA	PLATE BOTTOM-HYD TANK
004	57582280	1	EA	MANIFOLD, SUPERCHARGE
	57179277	6	EA	● - BOSS, SAE O-RING 9/16-18
	57141525	6	EA	● - BOSS-O RING 1.62-12
	57132268	1	EA	● - BOSS, O-RING
005	57482903	1	EA	PLATE REAR-HYD. TANK
006	57482895	1	EA	PLATE FRONT/SIDE-HYD TANK
	95061297	2	EA	● - CPLG HALF 1/2
	95238978	2	EA	● - COUPLING
007	57481459	1	EA	PLATE TOP-HYD. TANK
	95071569	1	EA	● - NIPPLE
	95038675	1	EA	● - COUPLING
008	57306680	1	EA	MANIFOLD-SUCTION
009	57350449	1	EA	FILTER MNT BKT
010	95038410	1	EA	CAP, PIPE-1-1/2
011	50820307	1	EA	COVER TOP
012	57352304	1	EA	MTG. PLATE-RV, HYD. TANK
013	95958963	8	EA	SCREW, CAP-3/8-16 X 5/8
014	95937413	8	EA	WASHER, LOCK-3/8 PLATED
015	95104071	3	EA	SCREW, CAP-1/4-20 X 5/8
016	95096350	3	EA	WASHER, LOCK-1/4
017	50819192	1	EA	GASKET
018	50819200	1	EA	GASKET, TOP

57582322 RESERVOIR, HYDRAULIC

This page is intentionally blank.

PIPING, HYDRAULIC TANK 57482564

52254885

FILTER, HYDRAULIC

PIPING, HYDRAULIC TANK
57482564

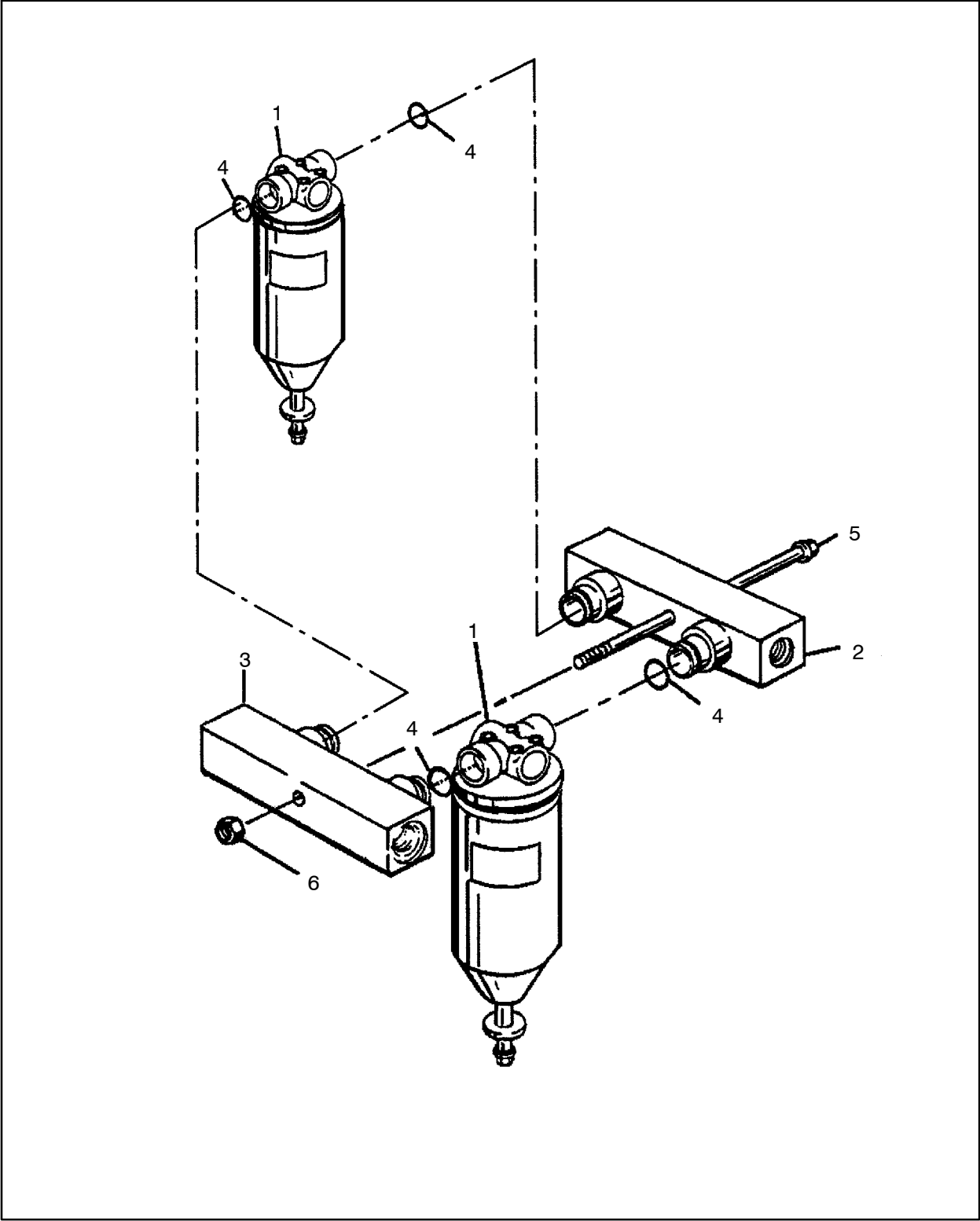


Figure 162 :FILTER, HYDRAULIC
D52254885 REV 03

52254885 FILTER, HYDRAULIC

REF.	PART NO.	QTY.	UNIT	DESCRIPTION
001	52259363	2	EA	FILTER ASSY-HYD
002	52263530	2	EA	MANIFOLD
003	52263548	1	EA	MANIFOLD
004	52263555	1	EA	O-RING
005	52263563	1	EA	BOLT
006	52263571	1	EA	NUT,LOCK

(See figure 163)

PIPING, HYDRAULIC TANK
57482564

52259363 FILTER ASSY-HYD

PIPING, HYDRAULIC TANK
57482564

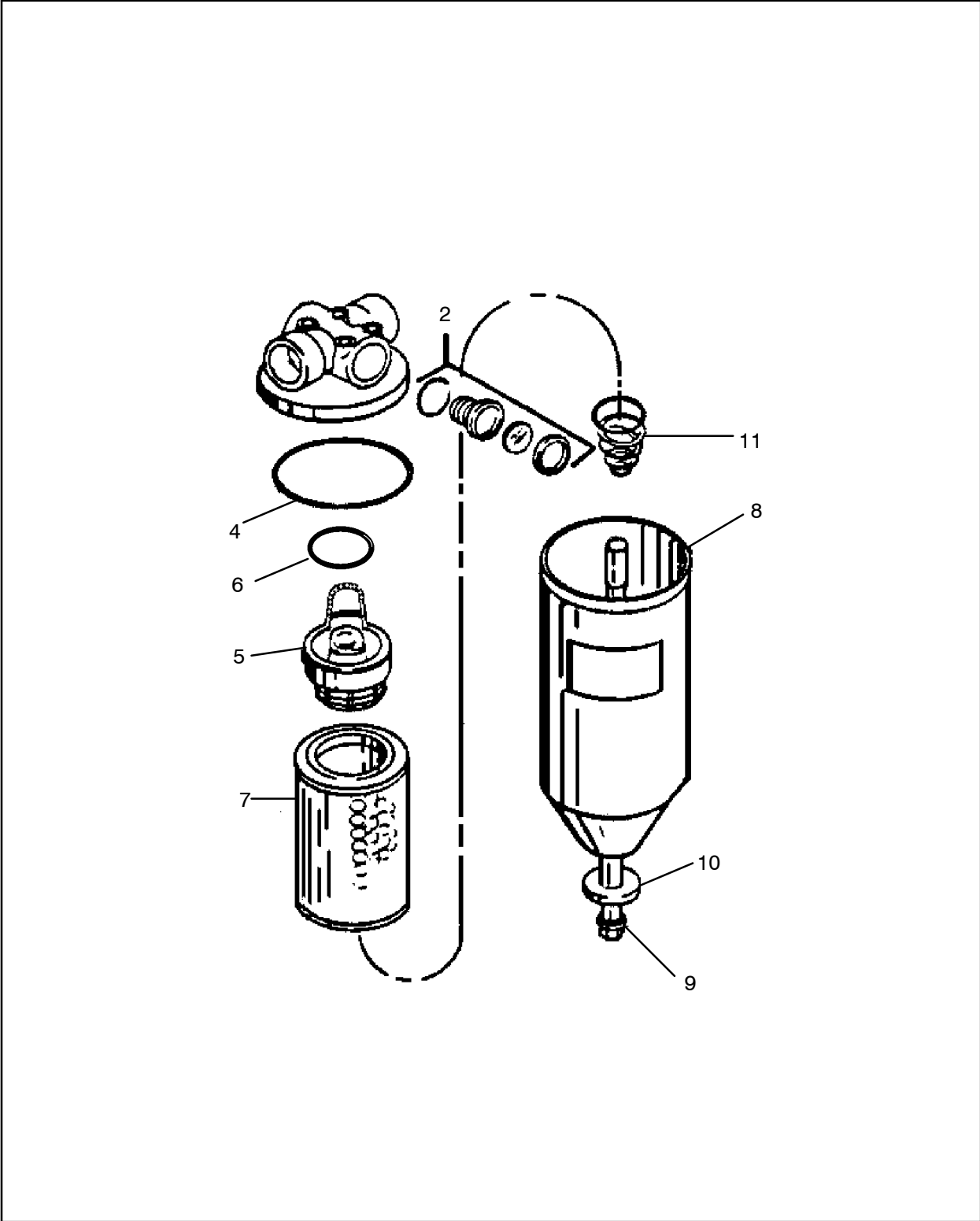


Figure 163 :FILTER ASSY-HYD
W52259363 REV02

52259363 FILTER ASSY-HYD

REF.	PART NO.	QTY.	UNIT	DESCRIPTION
002	35277151	1	EA	GLASS
004	95070603	1	EA	O-RING
005	57113367	1	EA	VALVE,BY PASS
006	35251511	1	EA	O-RING
007	52263183	1	EA	ELEMENT, FILTER-MAIN HYD
008	35251529	1	EA	HOUSING
009	50815638	1	EA	BOLT
010	35251545	1	EA	WASHER, GSKT
011	35251552	1	EA	SPRING

PIPING, HYDRAULIC TANK
57482564

57501983

JACKS, PIPING

JACKS, PIPING

57501983

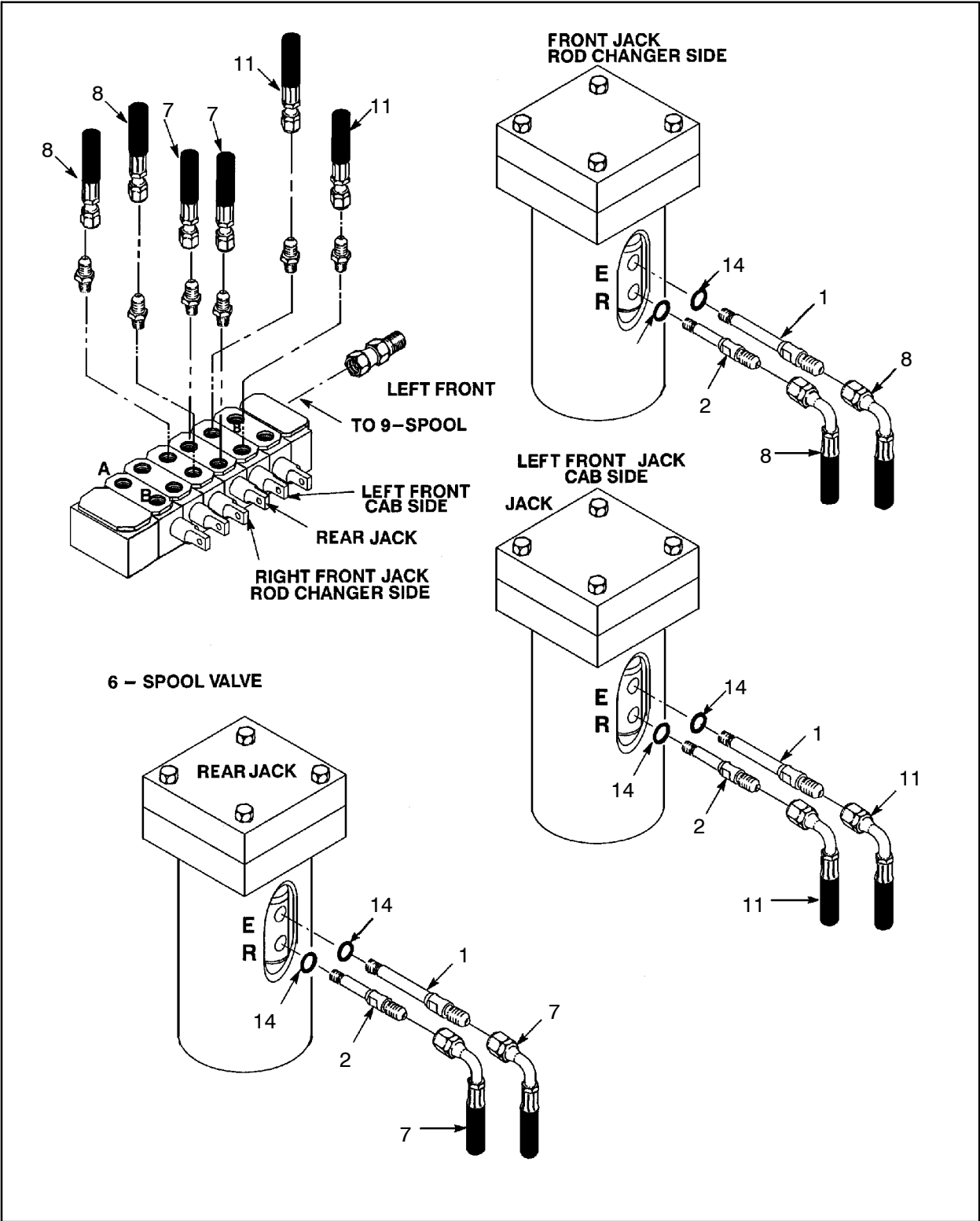


Figure 184 :JACKS, PIPING
E57501983 REV01

57501983 JACKS, PIPING

REF.	PART NO.	QTY.	UNIT	DESCRIPTION
001	57116758	3	EA	ADAPTER, JACK-LONG
002	57116766	3	EA	ADAPTER, JACK-SHORT
007	56255680	2	EA	HOSE ASSEMBLY
008	57116840	2	EA	HOSE ASSY
011	57445157	2	EA	HOSE ASSY
014	95209888	6	EA	O-RING, HYD

JACKS, PIPING
57501983

57501991 OVERPRESSURE CONTROLS

OVERPRESSURE CONTROLS
57501991

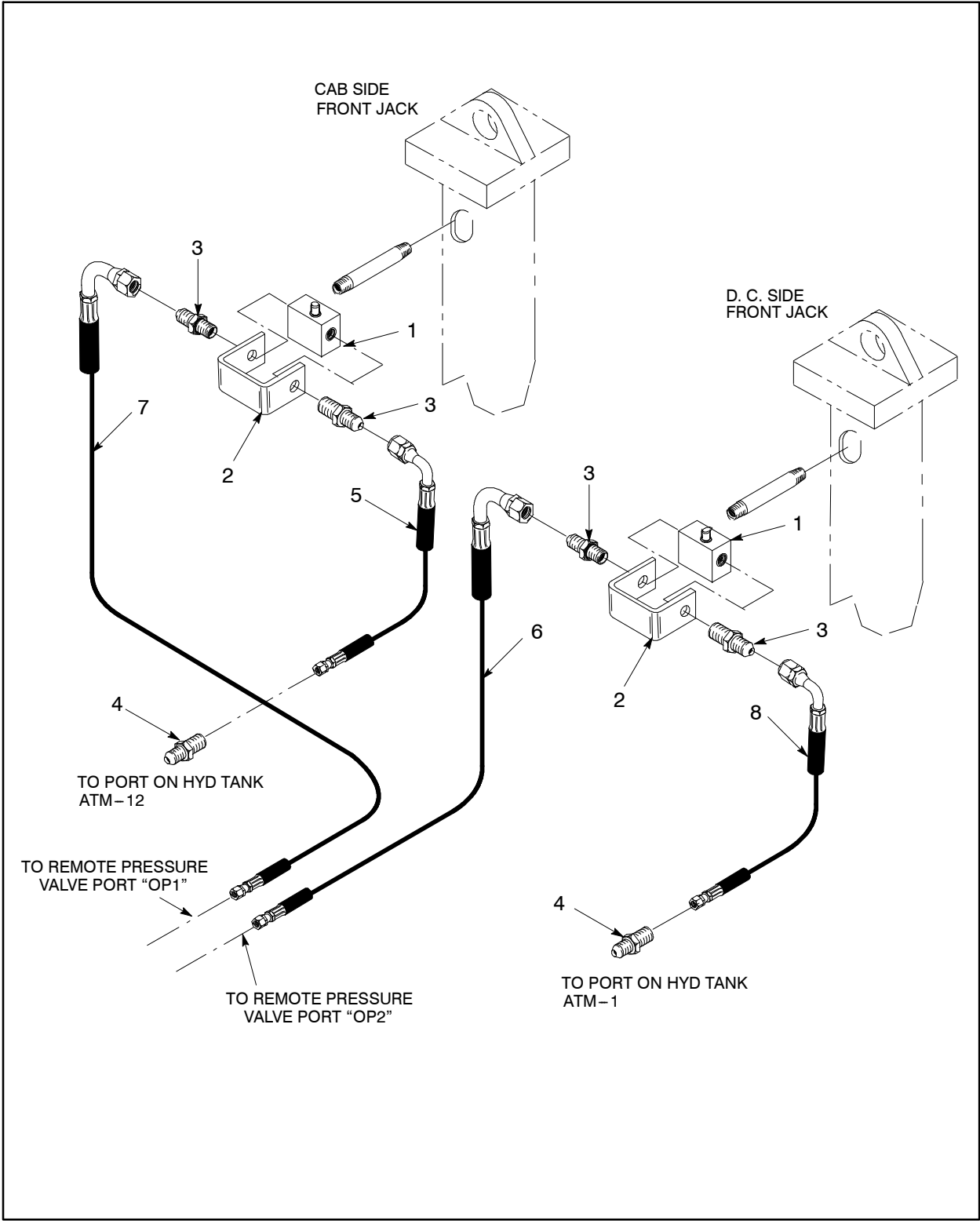


Figure 179 :OVERPRESSURE CONTROLS
E57501991 REV01

57501991 OVERPRESSURE CONTROLS

REF.	PART NO.	QTY.	UNIT	DESCRIPTION
001	50429356	2	EA	VALVE, 2-WAY
002	50429455	2	EA	BRACKET, VALVE
003	95365086	4	EA	FITTING, HYD
004	95371258	2	EA	FITTING, HYD
005	57036618	1	EA	HOSE ASSY
006	52225877	1	EA	HOSE ASSY
007	57020802	1	EA	HOSE ASSY
008	57020828	1	EA	HOSE ASSY

OVERPRESSURE CONTROLS
57501991

57519902 SWITCH-HEAD DECEL

SWITCH-HEAD DECEL
57519902

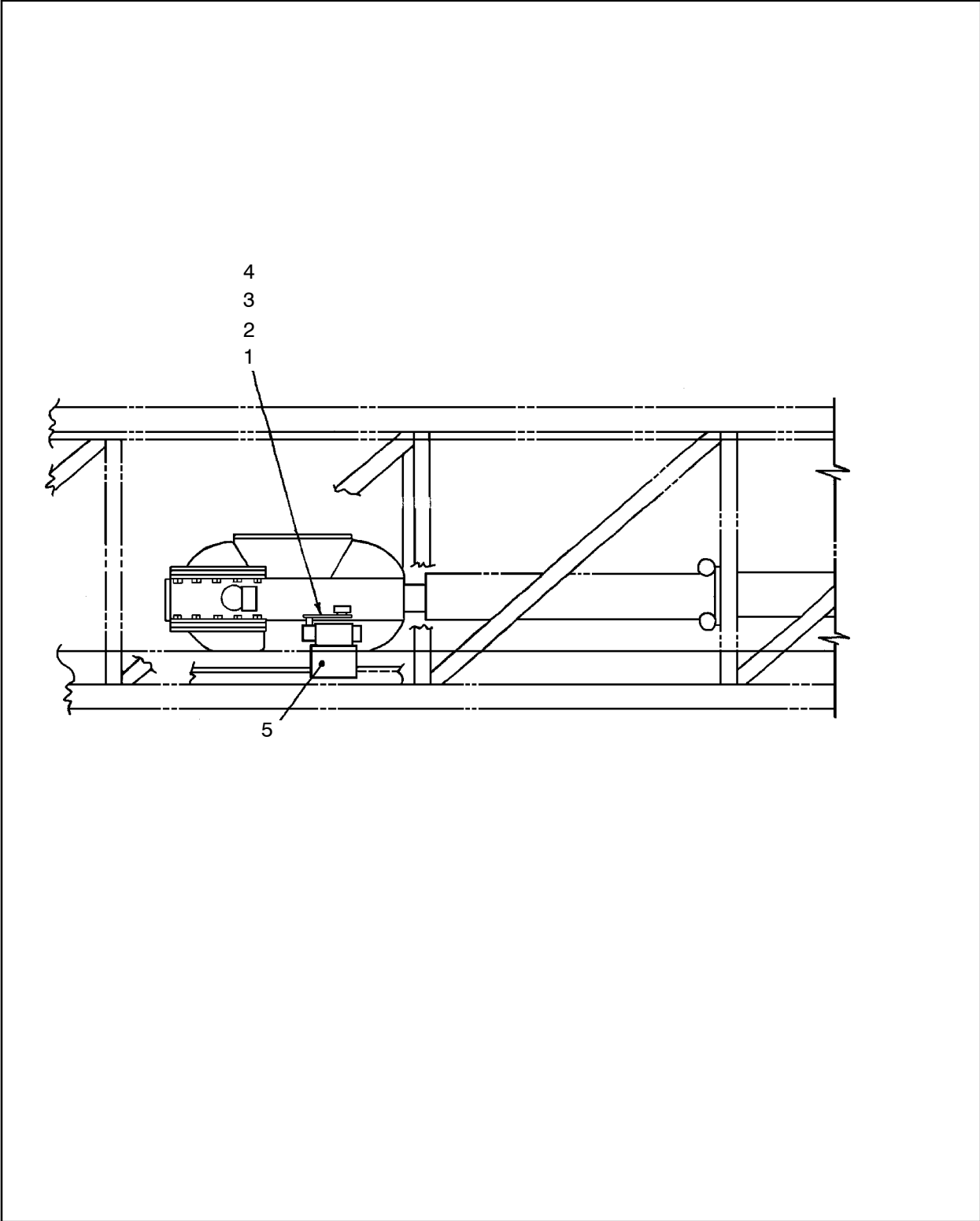


Figure 180 :SWITCH-HEAD DECEL
C57519902 REV00

57519902 SWITCH-HEAD DECEL

REF.	PART NO.	QTY.	UNIT	DESCRIPTION
001	50518653	1	EA	SWITCH, LIMIT
002	57194987	1	EA	ARM, ADJUSTABLE
003	95934816	4	EA	SCREW, CAP-1/4-20 X 1
004	95934766	4	EA	WASHER, LOCK-1/4 PLATED
005	57391641	1	EA	BRACKET, MICRO SWITCH

SWITCH-HEAD DECEL
57519902

56255441

PIPING, PROPEL-CAT

PIPING, PROPEL-CAT
56255441

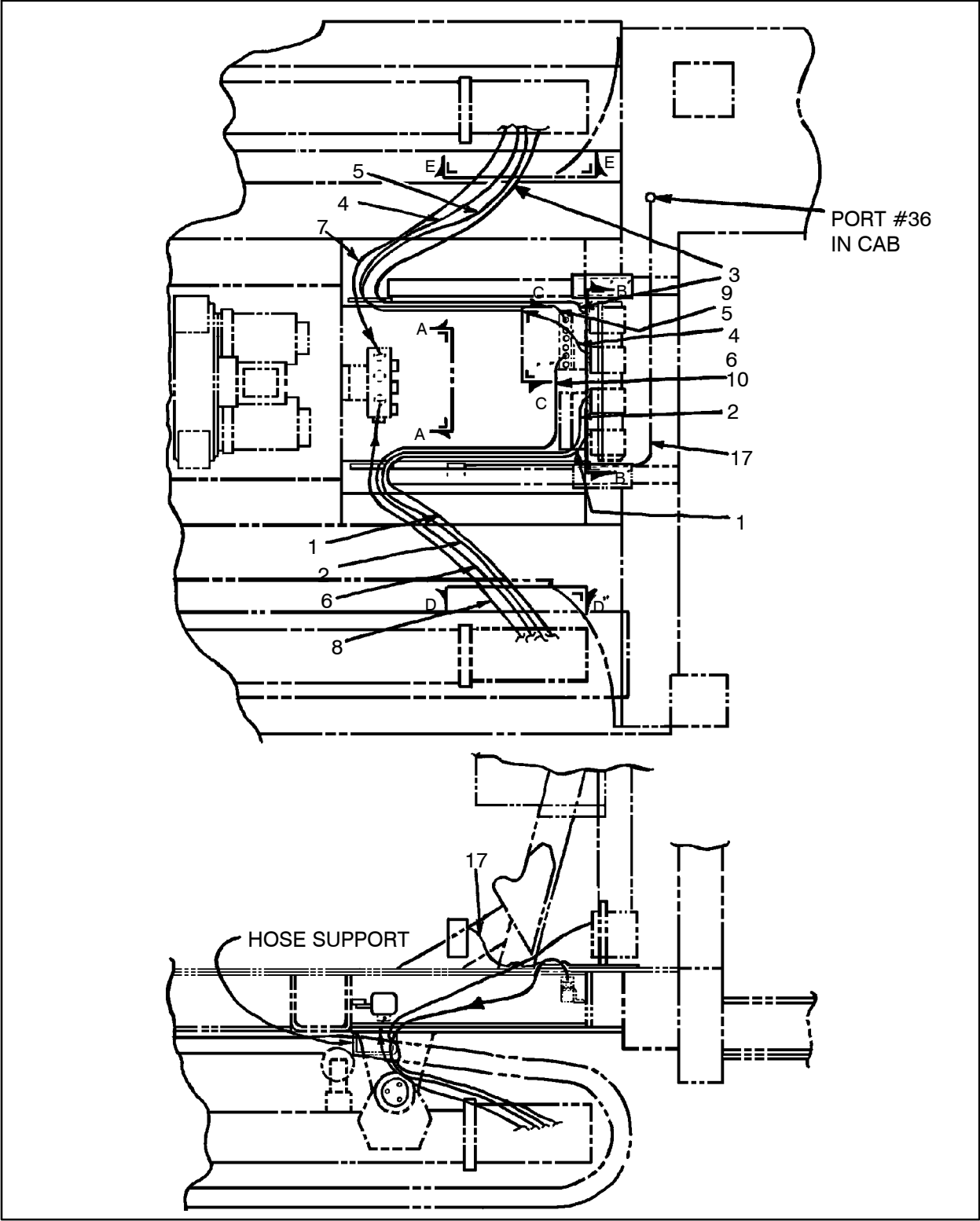
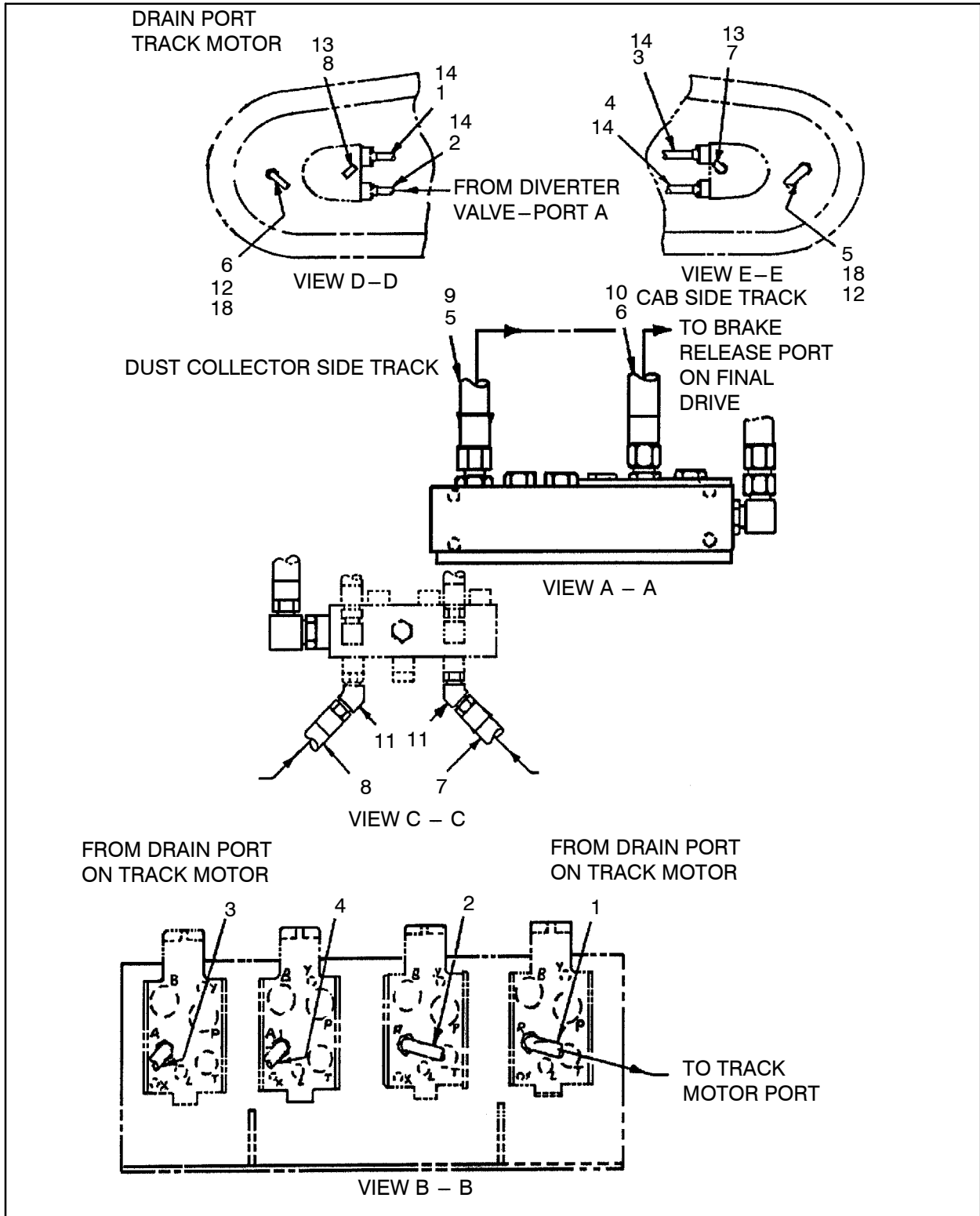


Figure 181 :PIPING, PROPEL-CAT
E56255441 REV00

56255441 PIPING, PROPEL-CAT



PIPING, PROPEL-CAT
 56255441

Figure 182 :PIPING, PROPEL-CAT
 E56255441 REV00

56255441 PIPING, PROPEL-CAT

REF.	PART NO.	QTY.	UNIT	DESCRIPTION
001	57441495	1	EA	HOSE ASSY
002	57441495	1	EA	HOSE ASSY
003	57441495	1	EA	HOSE ASSY
004	57441495	1	EA	HOSE ASSY
005	57431314	1	EA	HOSE ASSY
006	56255490	1	EA	HOSE ASSEMBLY
007	57473795	1	EA	HOSE ASSY
008	57473795	1	EA	HOSE ASSY
009	95343596	1	EA	PLUG, WITH O-RING
010	95323465	1	EA	PLUG HEAD
011	95359410	2	EA	FITTING, HYD
012	57405151	0	EA	BUSHING, METRIC TO JIC
013	95376141	2	EA	ADAPTER-90DEG,ORING/JIC
014	56248479	4	EA	KIT,METRIC SPLIT FLANGE
017	95415667	1	EA	FITTING, HYD
018	95402806	2	EA	FITTING

PIPING, PROPEL-CAT
56255441

56255441 PIPING, PROPEL – CAT

This page is intentionally blank.

PIPING, PROPEL – CAT
56255441

57536450 PULLDOWN CONTROL

PULLDOWN CONTROL
57536450

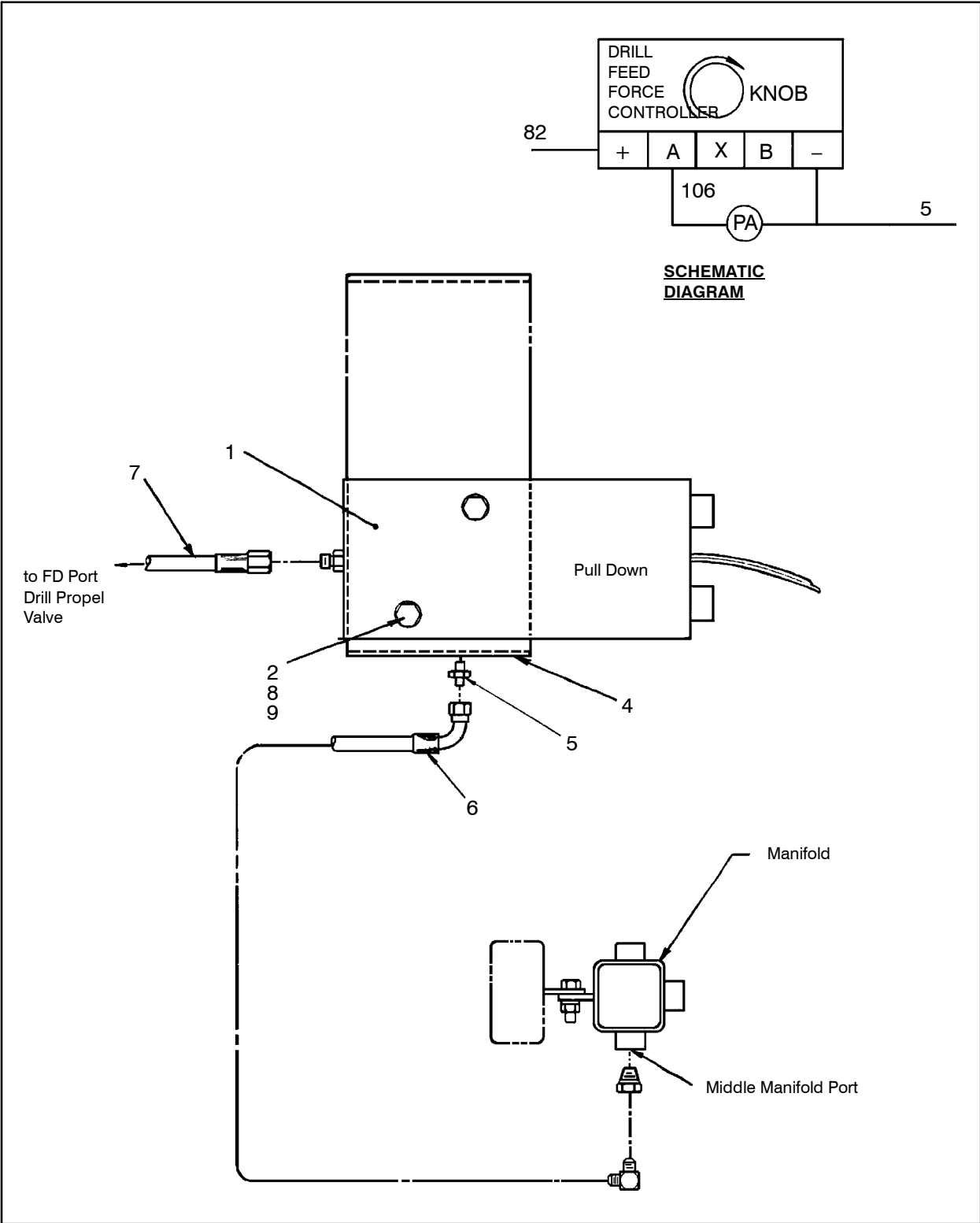


Figure 186 :PULLDOWN CONTROL
D57536450 REV02

57536450 PULLDOWN CONTROL

REF.	PART NO.	QTY.	UNIT	DESCRIPTION
001	57309536	1	EA	VALVE, PRESSURE CONTROL
002	95934568	2	EA	SCREW, CAP-1/4-20 X 2
004	57537490	1	EA	BRACKET, MOUNTING
005	95365078	1	EA	FITTING, HYD
006	58182791	1	EA	HOSE ASSY
007	57380420	1	EA	HOSE ASSY
008	95934766	2	EA	WASHER, LOCK-1/4 PLATED
009	95931564	2	EA	NUT, HEX-1/4-20

PULLDOWN CONTROL
57536450

56245673 PIPING, ROD CHANGER, 30'ELEC

PIPING, ROD CHANGER, 30'ELEC
 56245673

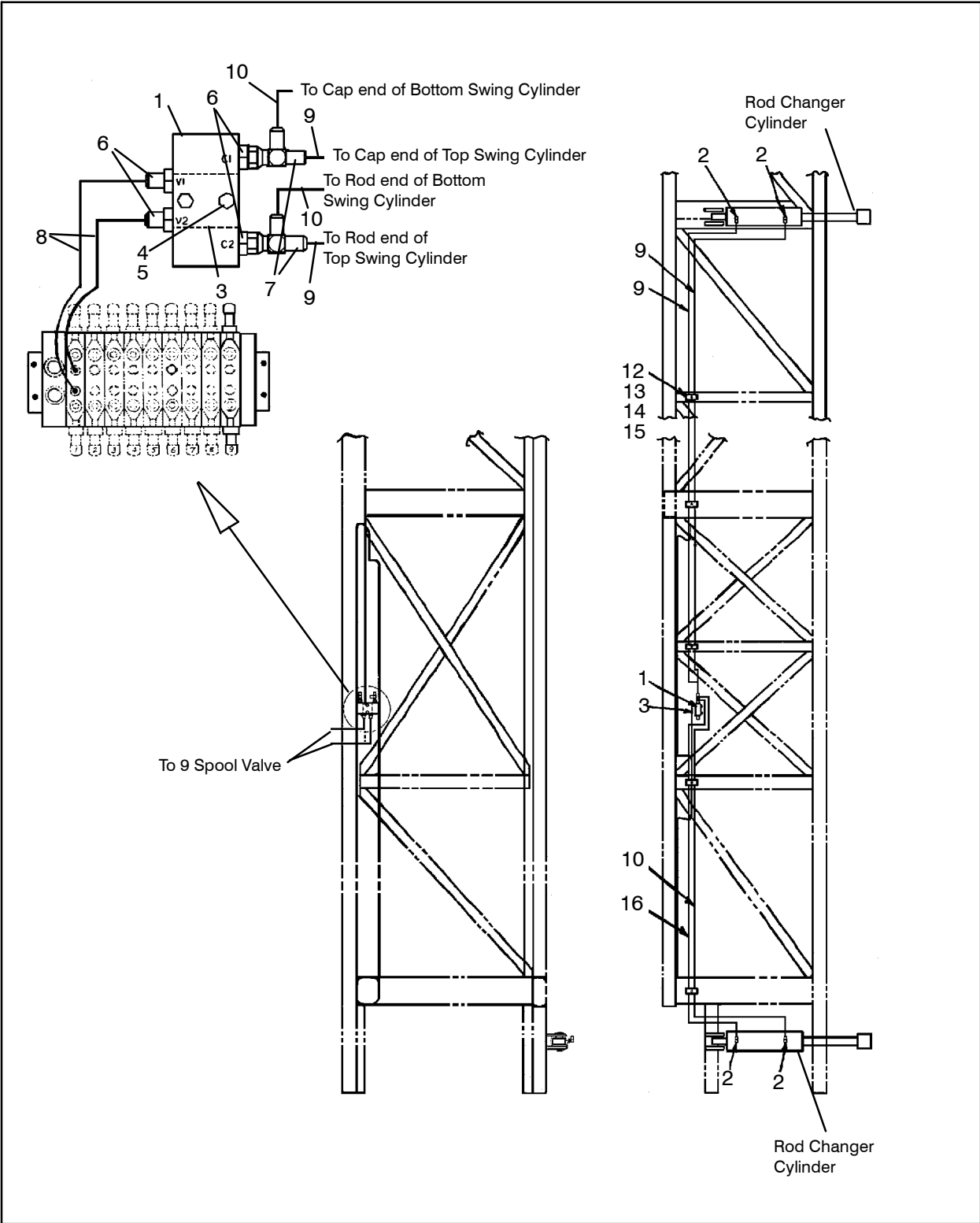


Figure 183 :PIPING, ROD CHANGER, 30'ELEC
 E57535924 REV01

56245673 PIPING, ROD CHANGER, 30'ELEC

REF.	PART NO.	QTY.	UNIT	DESCRIPTION
001	50462944	1	EA	VALVE, CHECK-DBL PILOTOP
002	95356903	4	EA	FITTING, HYD
003	57054991	1	EA	BAR, TAPPED
004	95943668	2	EA	SCREW, CAP-5/16-18X1-3/4
005	95934303	2	EA	WASHER, LOCK-5/16 PLATED
006	95329975	4	EA	FITTING, HYD
007	95415667	2	EA	FITTING, HYD
008	56955776	2	EA	HOSE ASSY
009	57128696	2	EA	HOSE ASSY
010	56957319	1	EA	HOSE ASSY
012	50034826	10	EA	CLAMP, HOSE
013	95920724	5	EA	SCREW, CAP-1/4-20 X1-1/2
014	95934766	5	EA	WASHER, LOCK-1/4 PLATED
015	95931564	5	EA	NUT, HEX-1/4-20
016	56994510	1	EA	HOSE ASSY

PIPING, ROD CHANGER, 30'ELEC

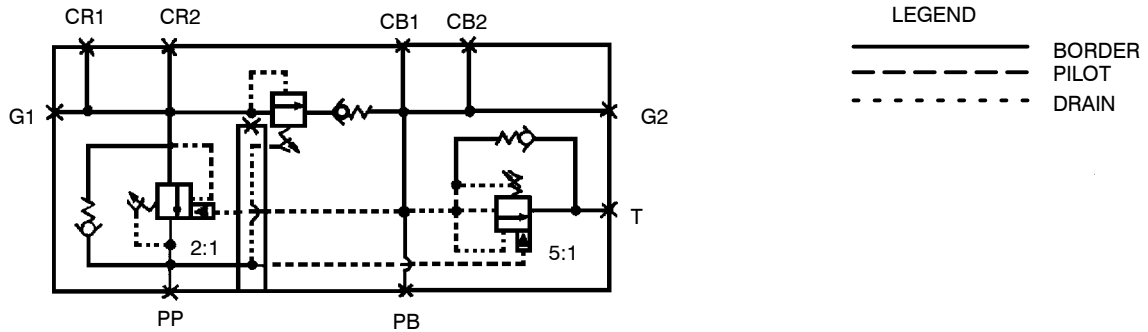
56245673

57448136

VALVE, REGEN-LP

VALVE, REGEN-LP

57448136



SCHEMATIC

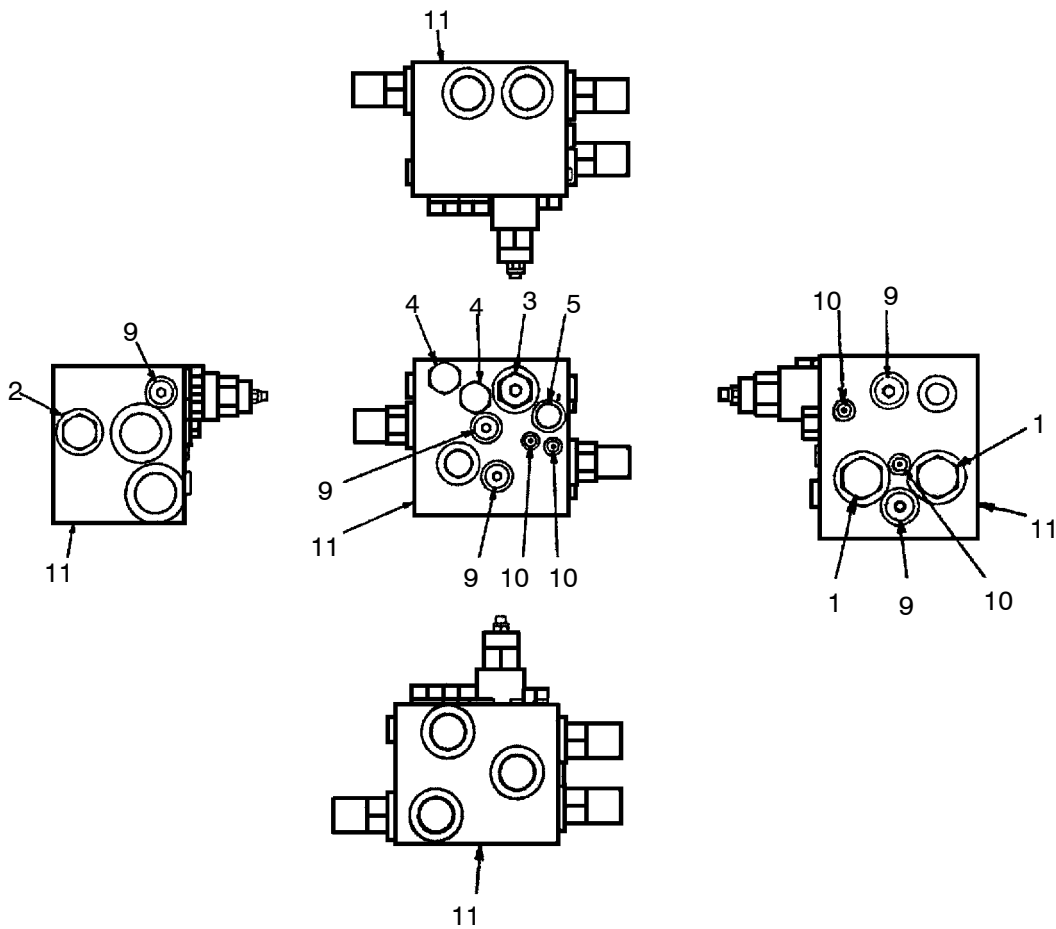


Figure 195 :VALVE, REGEN-LP
 E57448136 REV 001

57448136 VALVE, REGEN-LP

REF.	PART NO.	QTY.	UNIT	DESCRIPTION
001	57447856	2	EA	VALVE-COUNTERBLNCE VENTED
	57447906	1	EA	●- SEAL KIT-COUNTERBLNCE VLV
002	57447864	1	EA	VALVE-COUNTERBLNCE VENTED
	57447906	1	EA	●- SEAL KIT-COUNTERBLNCE VLV
003	57447872	1	EA	VALVE-SEQUENCE
	57447914	1	EA	●- SEAL KIT-SEQUENCE VALVE
004	57447880	2	EA	VALVE-CHECK
	57448102	1	EA	●- SEAL KIT-CHECK VALVE
005	57447898	1	EA	PLUG,MANIFOLD-XL
	57439077	1	EA	●- SEAL KIT-CART.VALVES
009	95504015	5	EA	PLUG,1/2-ORING, HEX SOC
010	95926838	4	EA	PLUG,1/8 O-RING-HEX SOC
011	57447849	1	EA	MANIFOLD-FEED CNTRL VLV

VALVE, REGEN-LP
 57448136

57535957 ROD INDEX PIPING

ROD INDEX PIPING
57535957

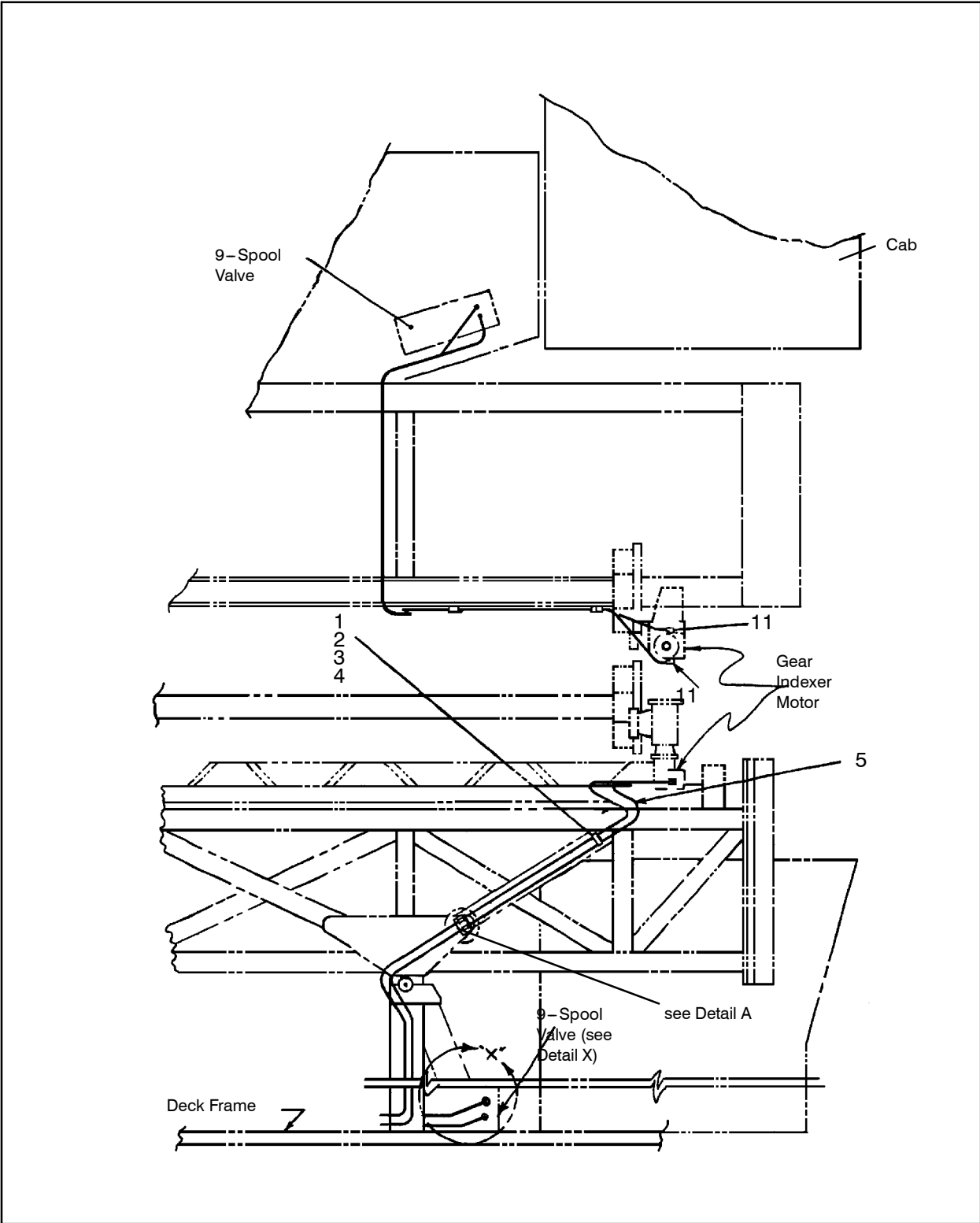


Figure 194 :ROD INDEX PIPING
C57535957 REV02

57535957 ROD INDEX PIPING

REF.	PART NO.	QTY.	UNIT	DESCRIPTION
001	50034826	2	EA	CLAMP, HOSE
002	95931564	2	EA	NUT, HEX-1/4-20
003	95934766	2	EA	WASHER, LOCK-1/4 PLATED
004	95920724	2	EA	SCREW, CAP-1/4-20 X 1-1/2
005	57040818	2	EA	HOSE ASSY
011	95303335	2	EA	FITTING, HYD

ROD INDEX PIPING
57535957

57518482

PIPING, TOWER COMMONS

PIPING, TOWER COMMONS
57518482

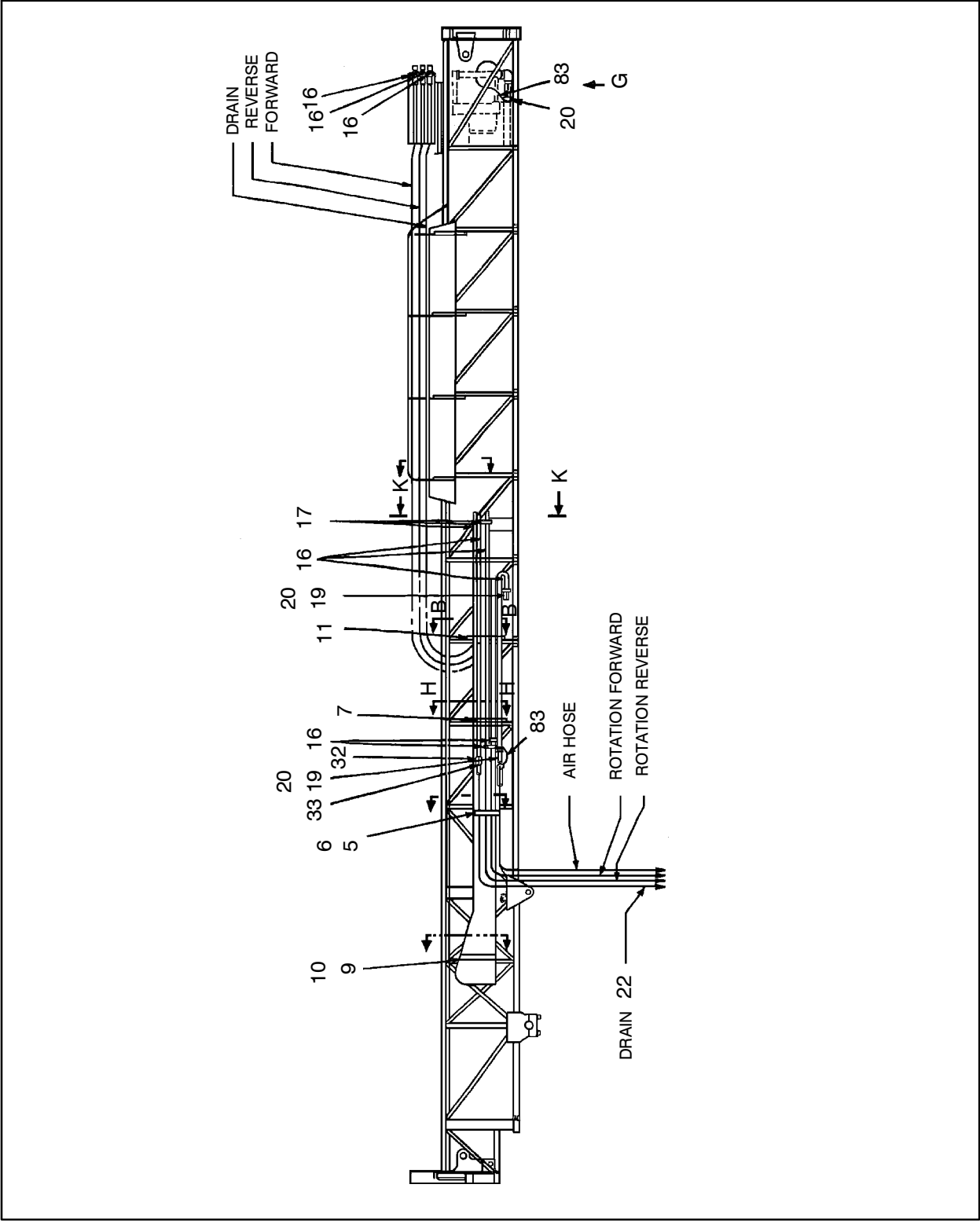
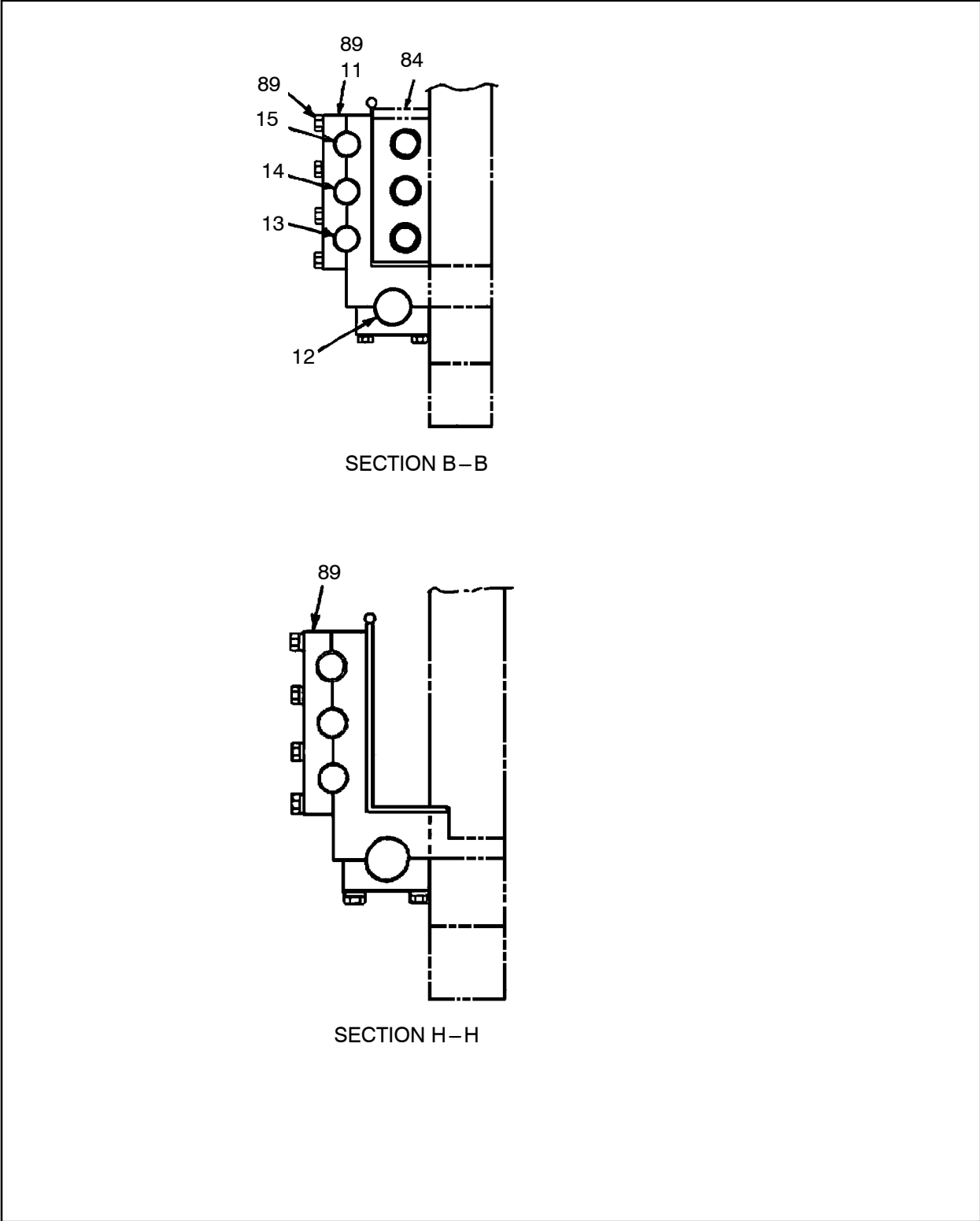


Figure 196 :PIPING, TOWER COMMONS
E57518482 REV 001

57518482 PIPING, TOWER COMMONS



PIPING, TOWER COMMONS
57518482

Figure 197 :PIPING, TOWER COMMONS
E57518482 REV 001

57518482 PIPING, TOWER COMMONS

PIPING, TOWER COMMONS
57518482

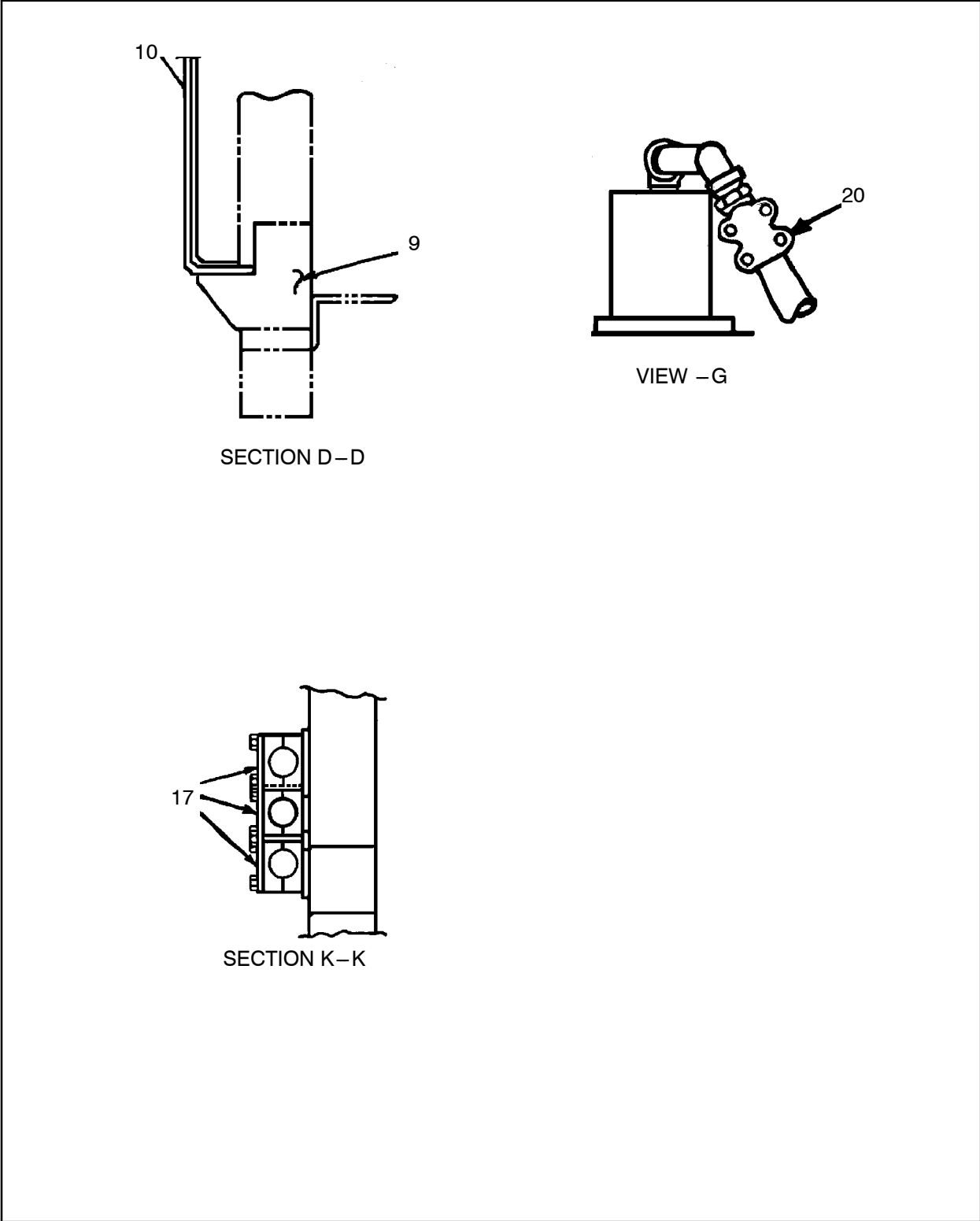
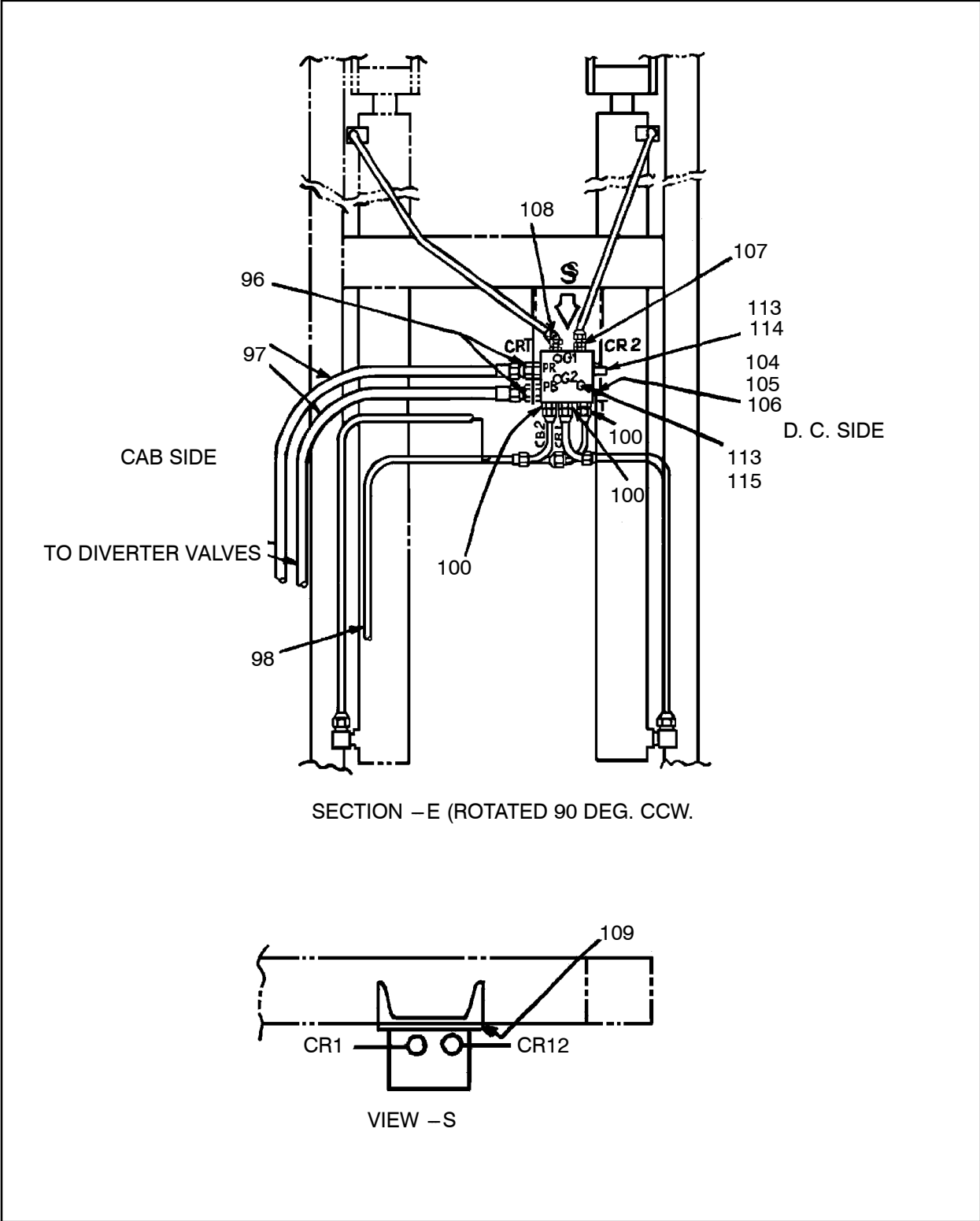


Figure 198 :PIPING, TOWER COMMONS
E57518482 REV 001

57518482 PIPING, TOWER COMMONS



PIPING, TOWER COMMONS
57518482

Figure 199 :PIPING, TOWER COMMONS
E57518482 REV 001

57518482 PIPING, TOWER COMMONS

PIPING, TOWER COMMONS
57518482

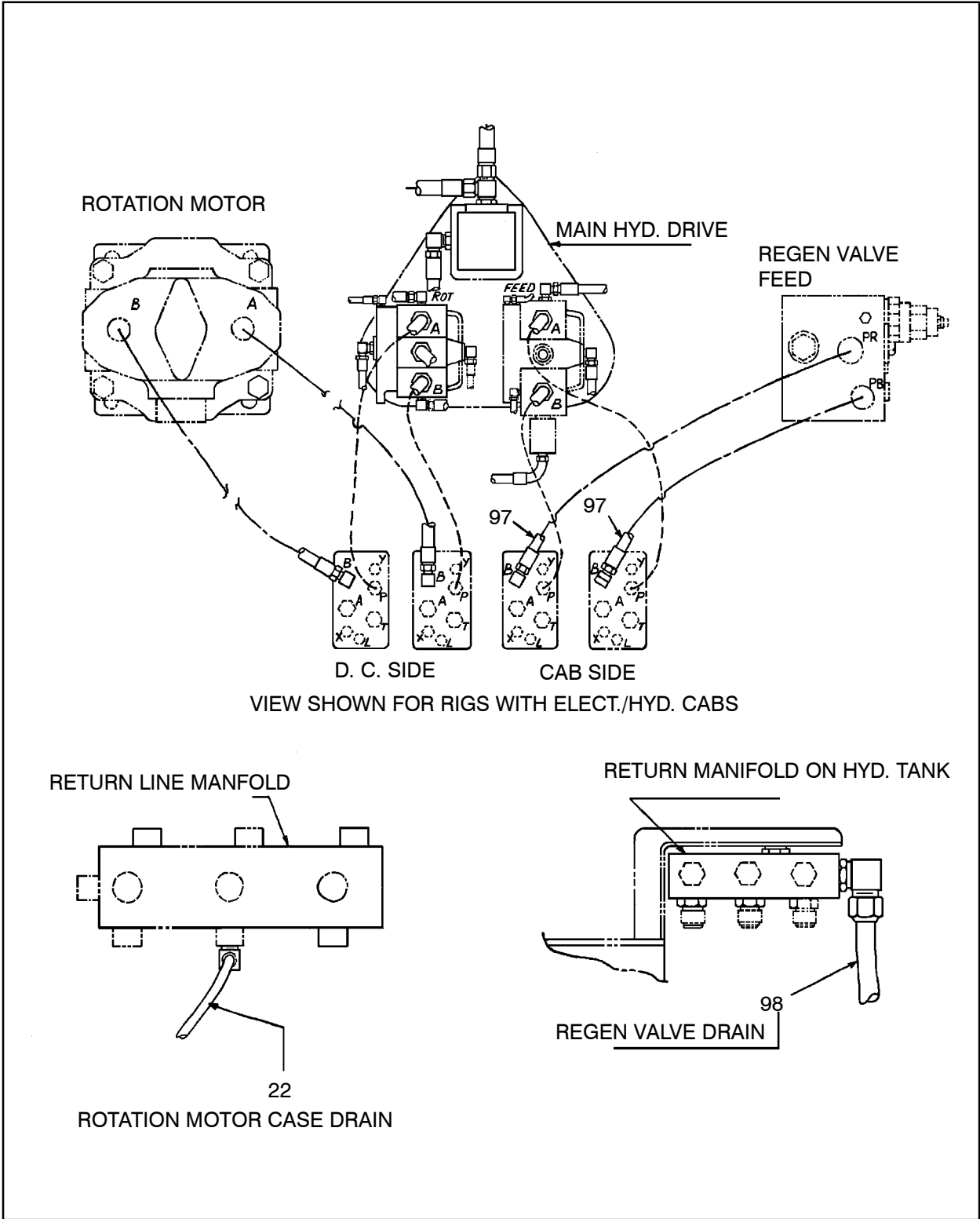


Figure 200 :PIPING, TOWER COMMONS
E57518482 REV 001

57518482 PIPING, TOWER COMMONS

REF.	PART NO.	QTY.	UNIT	DESCRIPTION
005	57390171	1	EA	BRACKET – HOSE TRAY
006	57083172	1	EA	GUSSET
007	57390254	1	EA	CLAMP, STANDPIPE – TOWER
009	57315657	1	EA	BRACKET
010	57390262	1	EA	BRACKET, HOSE TRAY
011	57390270	1	EA	CLAMP, STANDPIPE – TOWER
012	57082554	1	EA	STANDPIPE
013	57085573	1	EA	STANDPIPE
014	57424806	1	EA	STANDPIPE
015	57085599	1	EA	STANDPIPE
016	56783020	8	EA	KIT, SPLIT FLANGE
017	57092728	3	EA	CLAMP ASSY, 1–1/4 PIPE
019	50023910	2	EA	STEM
020	50743731	3	EA	CLAMP, HOSE
022	57525545	1	EA	HOSE ASSY
032	50347889	1	EA	VALVE, CHECK
033	95219747	1	EA	FITTING, HYD
083	57358145	2	EA	CABLE, HOSE RESTRAINT
084	57093197	1	EA	BAR, ROUND
089	56893217	8.00	FT	WIRE
096	57167454	2	EA	FITTING,STR,20OFS X20SAE
097	57495384	2	EA	HOSE ASSY
098	57344764	1	EA	HOSE ASSY
100	57319683	3	EA	FITTING,STR,16OFS X16SAE
104	95836466	2	EA	SCREW, CAP
105	95077772	2	EA	NUT, HEX – 7/16 – 14
106	95081865	2	EA	WASHER, LOCK – 7/16
107	57319675	1	EA	FITTING,STR,12OFS X16SAE
108	57308850	1	EA	FITTING,L45,12OFS X16SAE
109	57329989	1	EA	PLATE SPACER, VALVE
113	57328676	2	EA	FITTING, TEST
114	95650156	1	EA	ADAPTER
115	52209913	1	EA	ADAPTER, SAE

PIPING, TOWER COMMONS

57518482

57661597 PIPING, FAN/HOC, 54"

PIPING, FAN/HOC, 54"
57661597

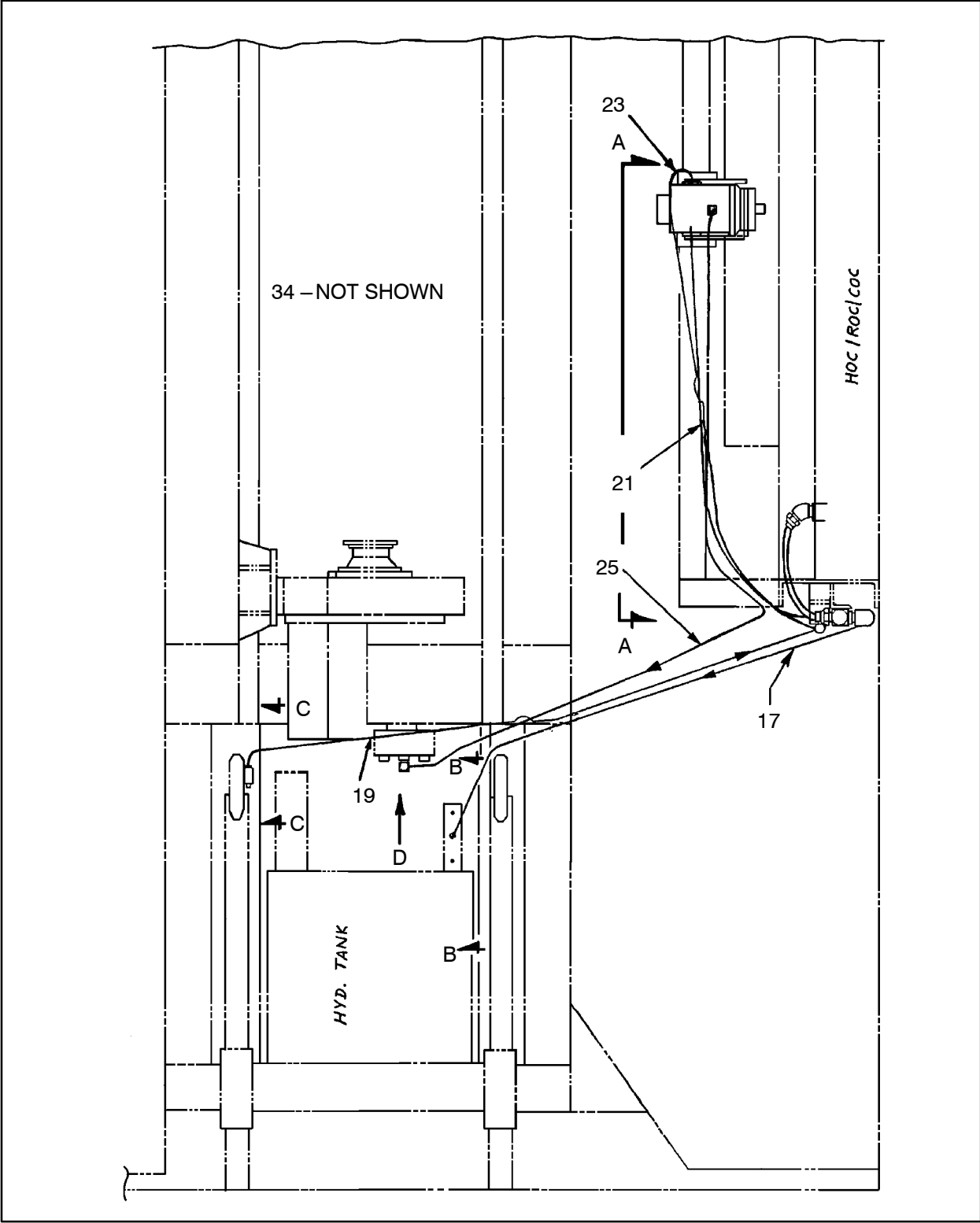
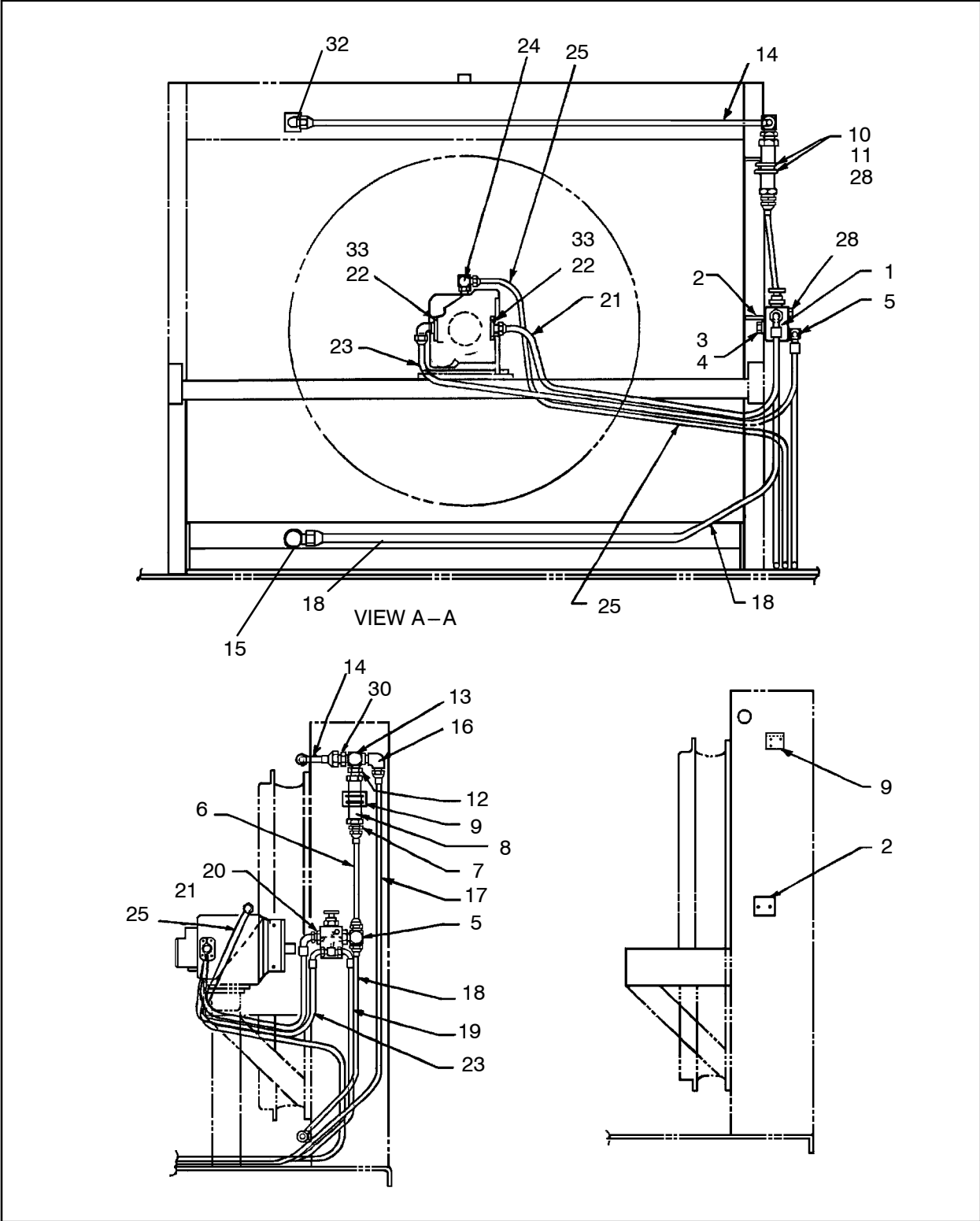


Figure 157 : PIPING, FAN/HOC, 54"
D57661597 REV 002

57661597 PIPING,FAN/HOC,54"



PIPING,FAN/HOC,54"
57661597

Figure 158 :PIPING,FAN/HOC,54"
D57661597 REV 002

57661597 PIPING,FAN/HOC,54”

PIPING,FAN/HOC,54”
 57661597

REF.	PART NO.	QTY.	UNIT	DESCRIPTION
001	57142515	1	EA	VALVE, RELIEF- VENTED
002	57499196	1	EA	ANGLE
003	95934550	2	EA	SCREW,CAP,HEX
004	95937413	2	EA	WASHER,LOCK,HELICAL
005	57482580	2	EA	TEE-JIC RUN/ORING
006	56991995	1	EA	HOSE ASSY
007	95316956	1	EA	FITTING, HYD
008	50261825	1	EA	VALVE, CHECK
009	57481483	1	EA	ANGLE, MOUNTING-CHECKVLV
010	95381828	2	EA	U-BOLT,ROUND BEND
011	95922894	4	EA	NUT,HEX,FINISHED
012	95479861	1	EA	FITTING-STR EXT NPT
013	95280095	1	EA	TEE,FEMALE,NPTF
014	57662736	1	EA	HOSE ASSEMBLY
015	95329983	1	EA	CONNECTOR,STRAIGHT THRD
016	95279410	1	EA	FITTING HYD
017	52225596	1	EA	HOSE ASSY
018	52228244	1	EA	HOSE ASSY
019	57525347	1	EA	HOSE ASSY
020	95371217	1	EA	CONNECTOR,STRT THRD
021	56954019	1	EA	HOSE ASSY
022	56950579	2	EA	KIT,SPLIT FLANGE
023	57085011	1	EA	HOSE ASSY
024	95376141	1	EA	ELBOW,90DEG STRT THRD
025	57464760	1	EA	HOSE ASSY
028	95343596	2	EA	PLUG,HEX HEAD,O’RING
030	95219762	1	EA	ADAPTER
032	95280194	1	EA	ELBOW,90 DEG STRT THRD
033	56986821	1	EA	ADAPTER
034	56950561	1	EA	ADAPTER

57661597 PIPING,FAN/HOC,54”

This page is intentionally blank.

PIPING,FAN/HOC,54”
57661597

57656811 TOWER RAISE CYL & PIP

TOWER RAISE CYL & PIP
57656811

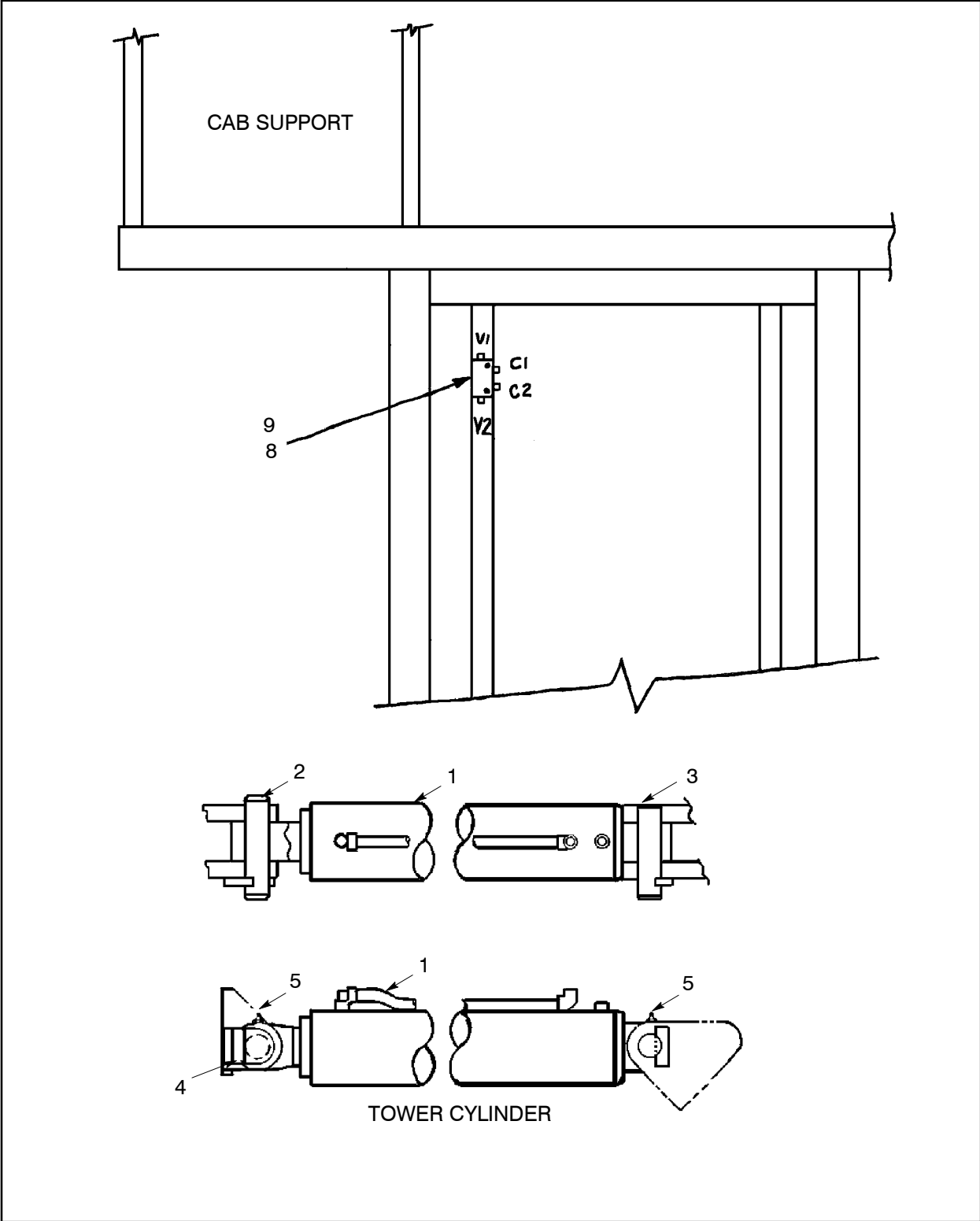
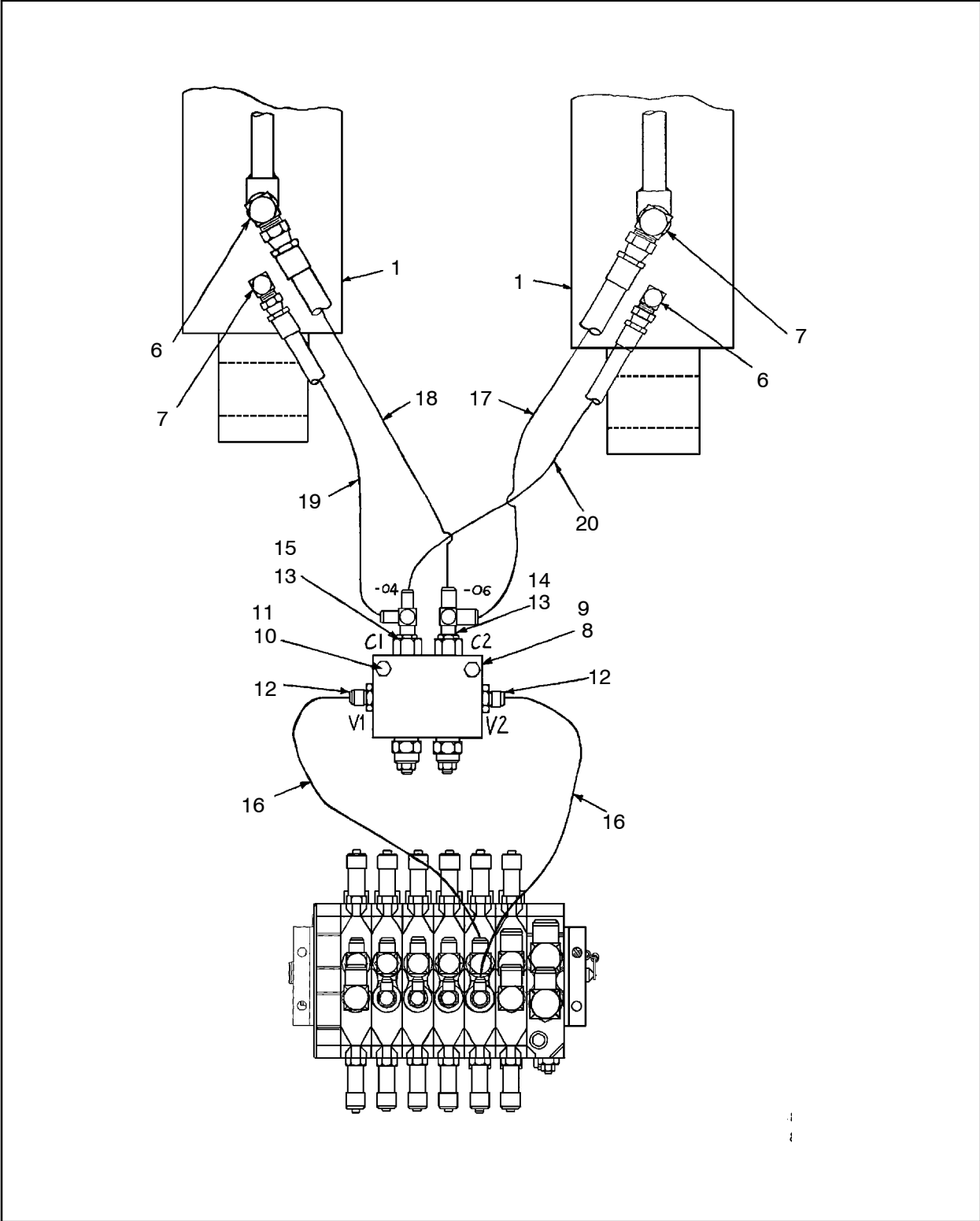


Figure 177 :TOWER RAISE CYL & PIP
D57656811 REV 001

57656811 TOWER RAISE CYL & PIP



TOWER RAISE CYL & PIP
57656811

Figure 178 :TOWER RAISE CYL & PIP
D57656811 REV 001

57656811 TOWER RAISE CYL & PIP

TOWER RAISE CYL & PIP
 57656811

REF.	PART NO.	QTY.	UNIT	DESCRIPTION
001	54578539	2	EA	CYLINDER,HYD-TWR RAISE (See figure 179)
002	57591547	2	EA	PIN,TWR RAISE CYL-TOP
003	57591554	2	EA	PIN,TWR RAISE CYL,BOTM
004	50813575	4	EA	PLATE,LOCKING
005	95201547	4	EA	FITTING,LUBE
006	95329975	2	EA	ELBOW,90 DEG STRT THRD
007	95365094	2	EA	ELBOW,90DEG,STRT THRD
008	57273716	1	EA	VALVE, COUNTER BALANCE
009	57283350	1	EA	PLATE, VALVE MOUNT
010	95943668	2	EA	CAPSCREW,HEX HEAD
011	95934303	2	EA	WASHER,LOCK,PLATED
012	95356903	2	EA	CONNECTOR,STRT THRD
013	95650156	2	EA	ADAPTER
014	95188710	1	EA	TEE,37 DEGREE,STRT THRD
015	95862371	1	EA	FITTING,HYD
016	56957319	2	EA	HOSE ASSY
017	57392953	1	EA	HOSE ASSY
018	57042921	1	EA	HOSE ASSY
019	57020752	1	EA	HOSE ASSY
020	57010142	1	EA	HOSE ASSY

57656811 TOWER RAISE CYL & PIP

This page is intentionally blank.

TOWER RAISE CYL & PIP 57656811

54578539 CYLINDER,HYD-TWR RAISE

TOWER RAISE CYL & PIP
57656811

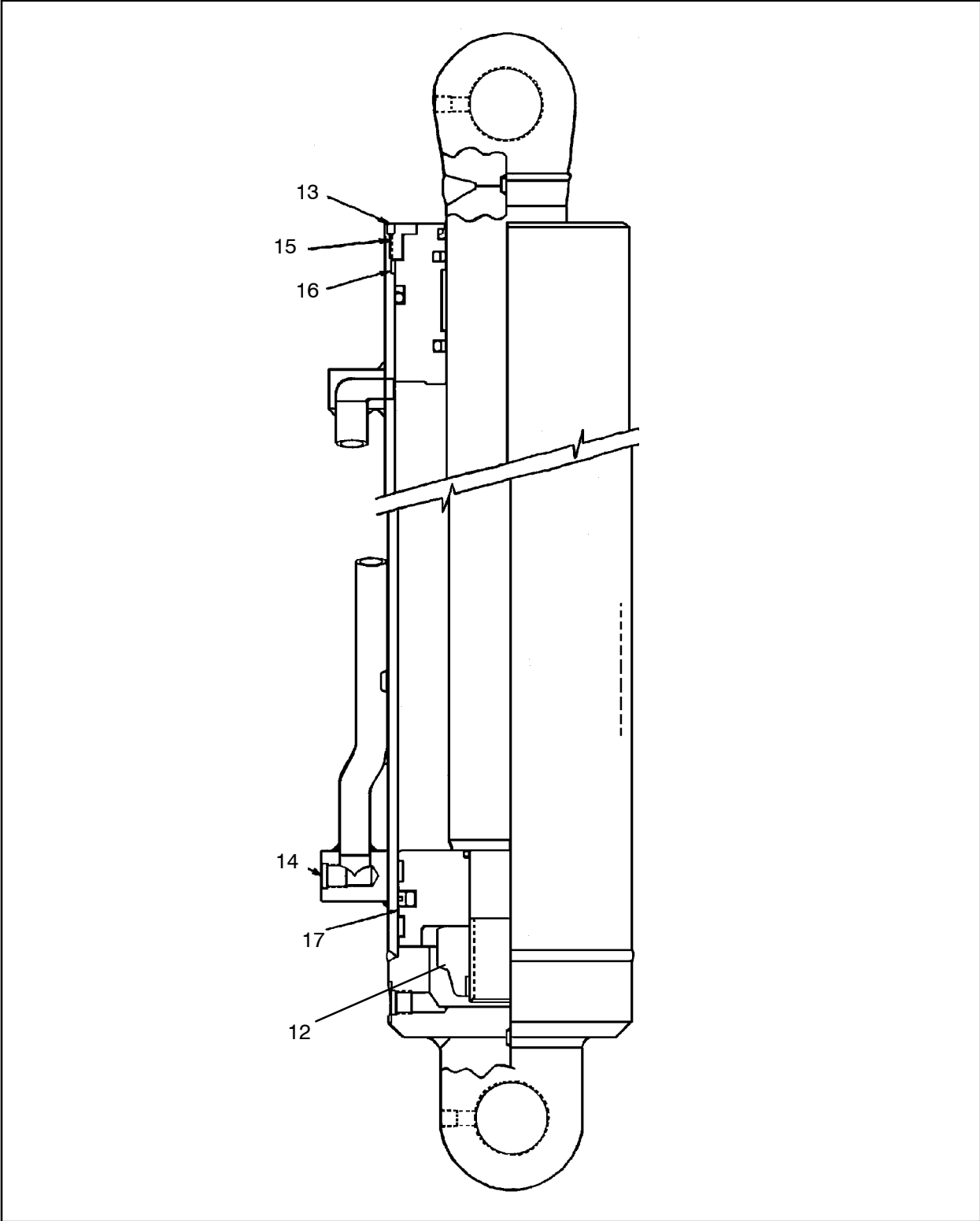
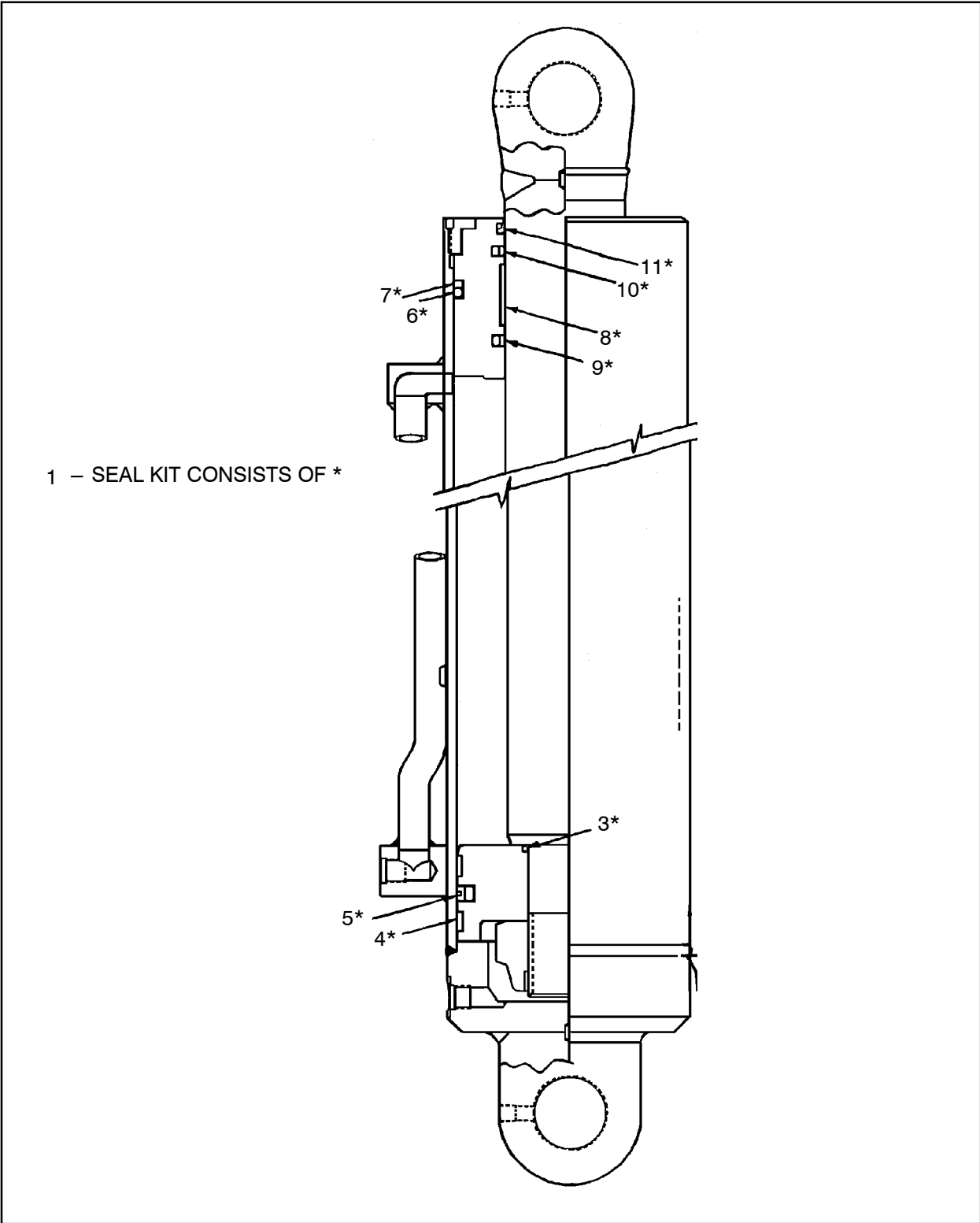


Figure 179 :CYLINDER,HYD-TWR RAISE
d54578539 REV 000

54578539 CYLINDER,HYD-TWR RAISE



TOWER RAISE CYL & PIP
57656811

Figure 180 :CYLINDER,HYD-TWR RAISE
d54578539 REV 000

54578539 CYLINDER,HYD-TWR RAISE

REF.	PART NO.	QTY.	UNIT	DESCRIPTION
001	57249450	1	EA	SEAL KIT
012	56944390	1	EA	LOCKNUT
013	57357964	1	EA	SETSCREW
014	57245284	2	EA	PORT PLUG
015	57206971	1	EA	HEAD CAP
016	57249518	1	EA	HEAD
017	57357972	1	EA	PISTON

TOWER RAISE CYL & PIP
57656811

54578539 CYLINDER,HYD-TWR RAISE

This page is intentionally blank.

TOWER RAISE CYL & PIP
57656811

57533127 PINNING, TOWER

PINNING, TOWER
57533127

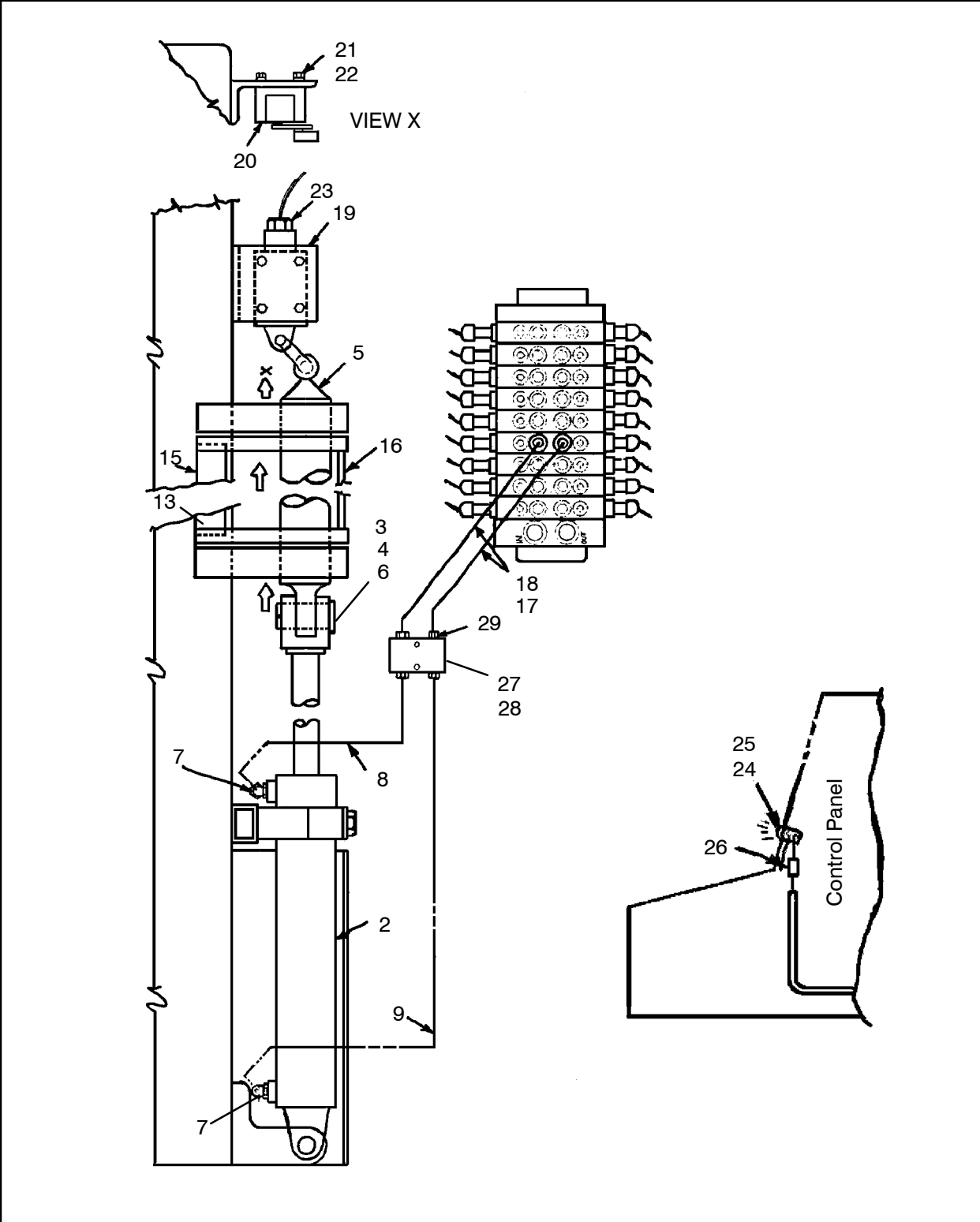
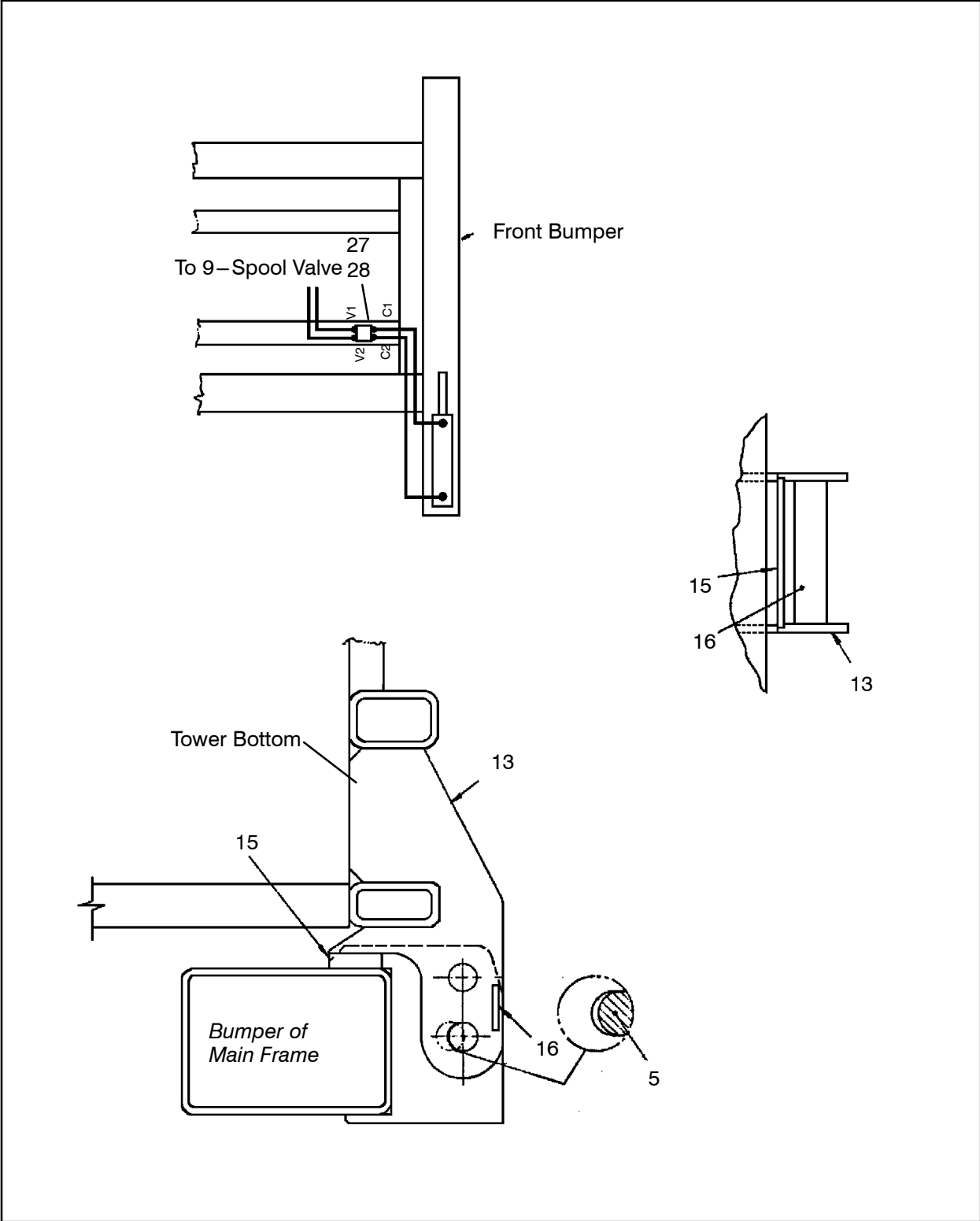


Figure 201 :PINNING, TOWER
D57533127 REV00

57533127 PINNING, TOWER



PINNING, TOWER

57533127

Figure 202 :PINNING, TOWER
D57533127 REV00

57533127 PINNING, TOWER

PINNING, TOWER
57533127

REF.	PART NO.	QTY.	UNIT	DESCRIPTION
002	57531626	1	EA	CYLINDER, HYDRAULIC
	57512006	1	EA	●- SEAL KIT
003	95342028	2	EA	PIN, HINGE
004	95093381	4	EA	PIN, COTTER-3/16 X 1-3/4
005	57141715	1	EA	PIN, TOWER LOCKING
006	95081709	4	EA	WASHER, FLAT-1"
007	95279493	2	EA	FITTING, HYD
008	56949399	1	EA	HOSE ASSY
009	56954076	1	EA	HOSE ASSY
013	57389330	2	EA	PLATE, TOWER PINNING
015	57389694	1	EA	BAR FLAT, 1X3.50X15.50
016	57389686	1	EA	BAR FLAT, 3/8 X 3 X 14.75
017	95364972	2	EA	FITTING, HYD
018	56954084	2	EA	HOSE ASSY
019	57359176	1	EA	BRACKET, LIMIT SWITCH
020	50518653	1	EA	SWITCH, LIMIT
021	95928982	4	EA	SCREW, CAP-1/4-20 X 3/4
022	95934766	4	EA	WASHER, LOCK-1/4 PLATED
023	50625946	1	EA	CONNECTOR
024	50270040	1	EA	LIGHT, PILOT
025	56275449	1	EA	LAMP, LED, RED, 24V
026	56762248	1	EA	CONNECTOR, SPLICE
027	50462944	1	EA	VALVE, CHECK-DBL PILOT OP
028	52208691	1	EA	BRACKET, MOUNTING
029	95356903	4	EA	FITTING, HYD

57533127 PINNING, TOWER

This page is intentionally blank.

PINNING, TOWER
57533127

57656795 VALVE INSTL,6 SPOOL

VALVE INSTL,6 SPOOL
57656795

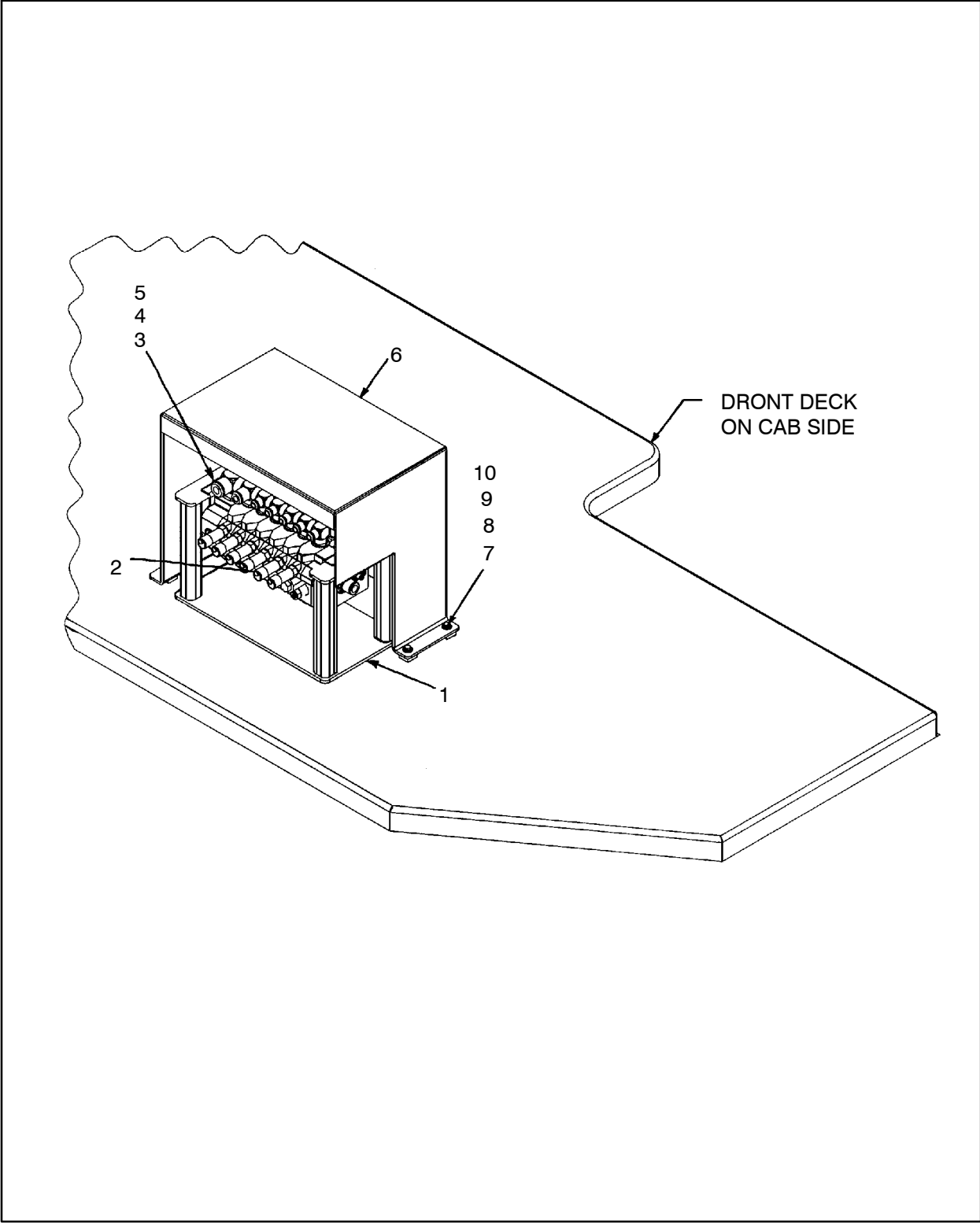


Figure 183 :VALVE INSTL,6 SPOOL
D57656795 REV 000

57656795 VALVE INSTL,6 SPOOL

REF.	PART NO.	QTY.	UNIT	DESCRIPTION
001	57656746	1	EA	BRACKET,MTG-6 SPOOL VLV
	95934592	2	EA	●- SCREW,CAP,HEX
	95922894	2	EA	●- NUT,HEX,FINISHED
	95937413	2	EA	●- WASHER,LOCK,HELICAL
002	57656787	1	EA	VALVE ASSEMBLY,6 SPOOL <i>(See figure 184)</i>
003	95104006	4	EA	SCREW, CAP-7/16-14X1LG
004	95081865	4	EA	WASHER, LOCK-7/16
005	95077772	4	EA	NUT,HEX
006	57656761	1	EA	COVER,6 SPOOL VALVE
007	52240959	4	EA	PLATE, TAPPED
008	95922183	4	EA	WASHER, FLAT-1/4
009	95934766	4	EA	WASHER,LOCK,HELICAL
010	95958351	4	EA	SCREW, CAP-1/4-20 X 7/8

VALVE INSTL,6 SPOOL
57656795

57656787 VALVE ASSEMBLY,6 SPOOL

VALVE INSTL,6 SPOOL
57656795

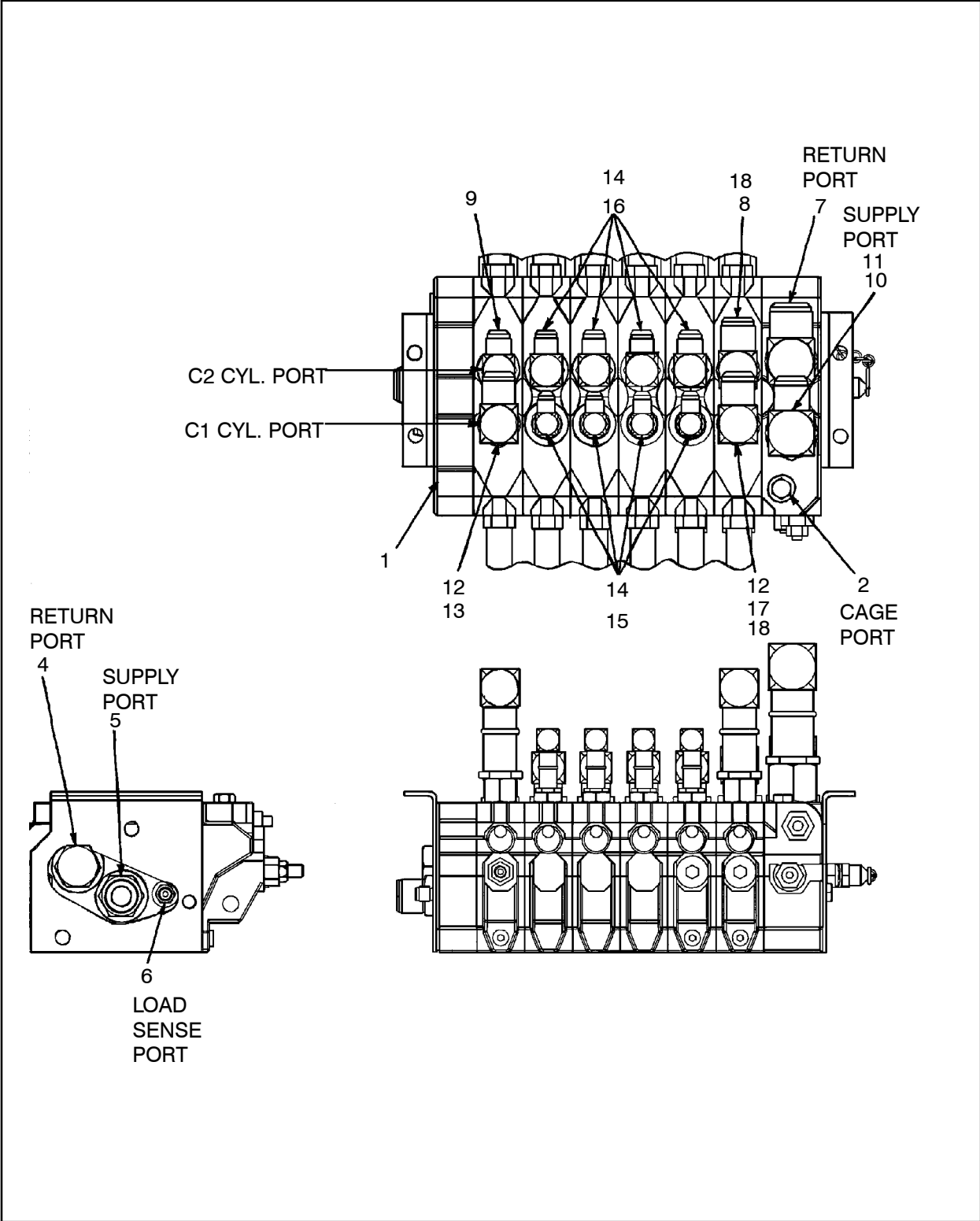
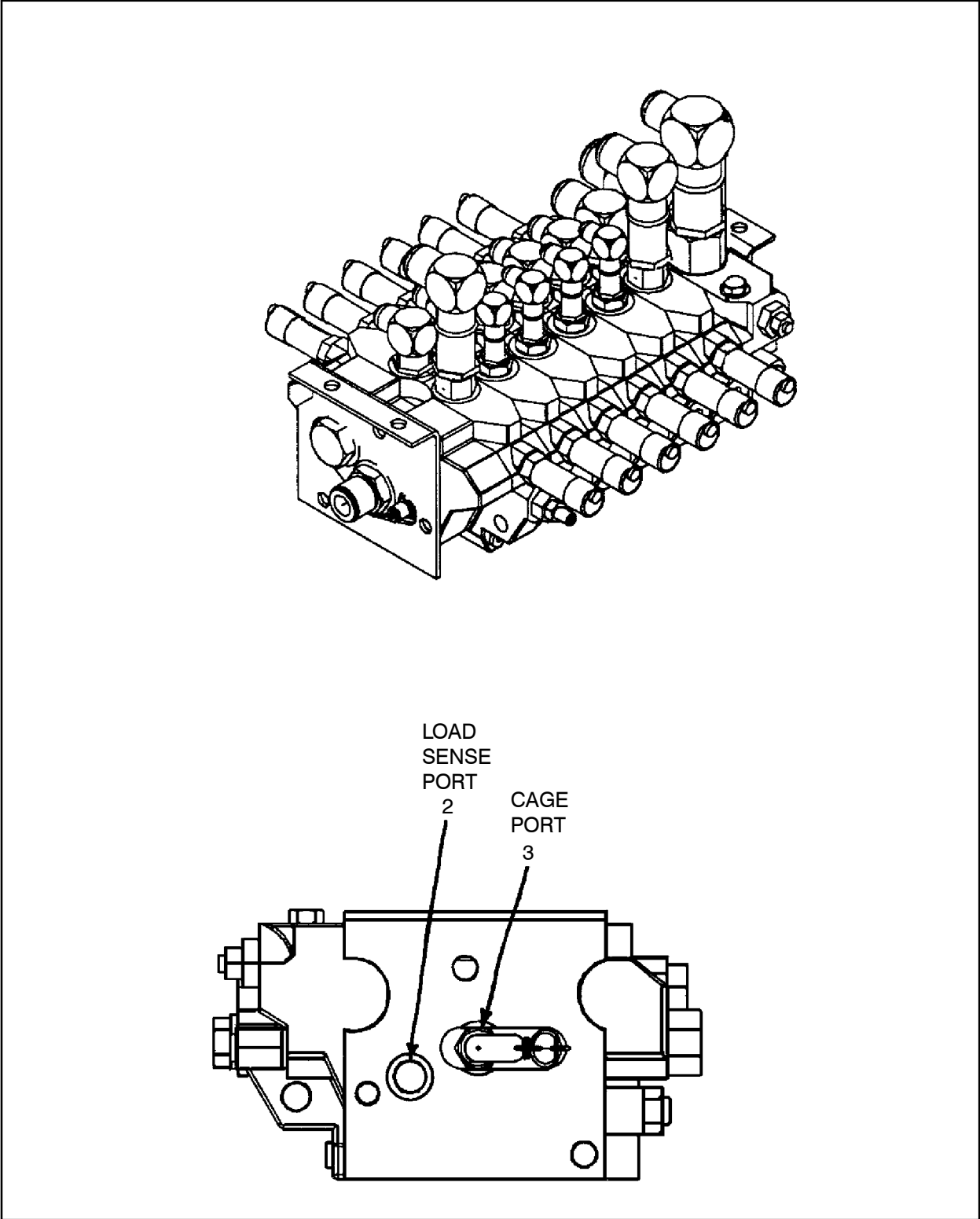


Figure 184 :VALVE ASSEMBLY,6 SPOOL
D57656787 REV 001

57656787 VALVE ASSEMBLY,6 SPOOL



VALVE INSTL,6 SPOOL
57656795

Figure 185 :VALVE ASSEMBLY,6 SPOOL
D57656787 REV 001

57656787 VALVE ASSEMBLY,6 SPOOL

VALVE INSTL,6 SPOOL
 57656795

REF.	PART NO.	QTY.	UNIT	DESCRIPTION
001	57581894	1	EA	VALVE ASSY,VPL6 (See figure 186)
002	95323366	2	EA	PLUG,HEX HEAD,STRT THRD
003	57328676	1	EA	FITTING, TEST
004	95280541	1	EA	FITTING, HYD
005	95356960	1	EA	CONNECTOR,STRT THRD
006	95365086	1	EA	CONNECTOR,STRT THRD
007	95368890	1	EA	ELBOW,90 DEG,STRT THRD
008	95303392	1	EA	CONNECTOR,STRT THRD
009	95303350	1	EA	ELBOW
010	95708301	1	EA	ADAPTER
011	95676417	1	EA	FITTING HYD-90
012	95708293	2	EA	FITTING, O-RING ADAPTER
013	95090601	1	EA	FITTING, HYD
014	95147997	8	EA	REDUCER, SAE O-RING 10-6
015	95188405	4	EA	FITTING, HYD
016	95329975	4	EA	ELBOW,90 DEG STRT THRD
017	56923311	1	EA	FITTING HYD
018	95302147	2	EA	ELBOW,90 DEG SWIVEL NUT

57656787 VALVE ASSEMBLY,6 SPOOL

This page is intentionally blank.

VALVE INSTL,6 SPOOL
57656795

57581894 VALVE ASSY,VPL6

VALVE INSTL,6 SPOOL
 57656795

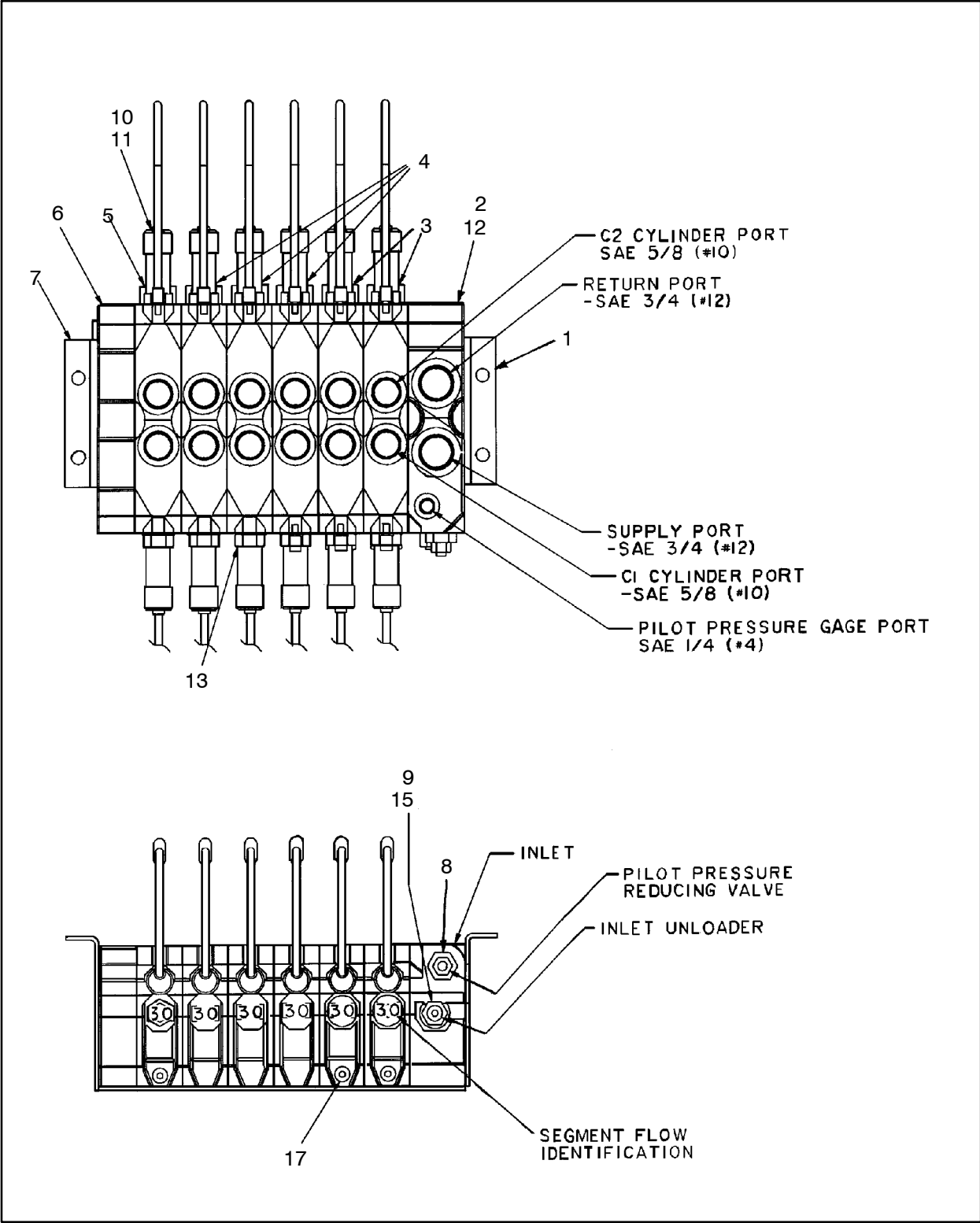
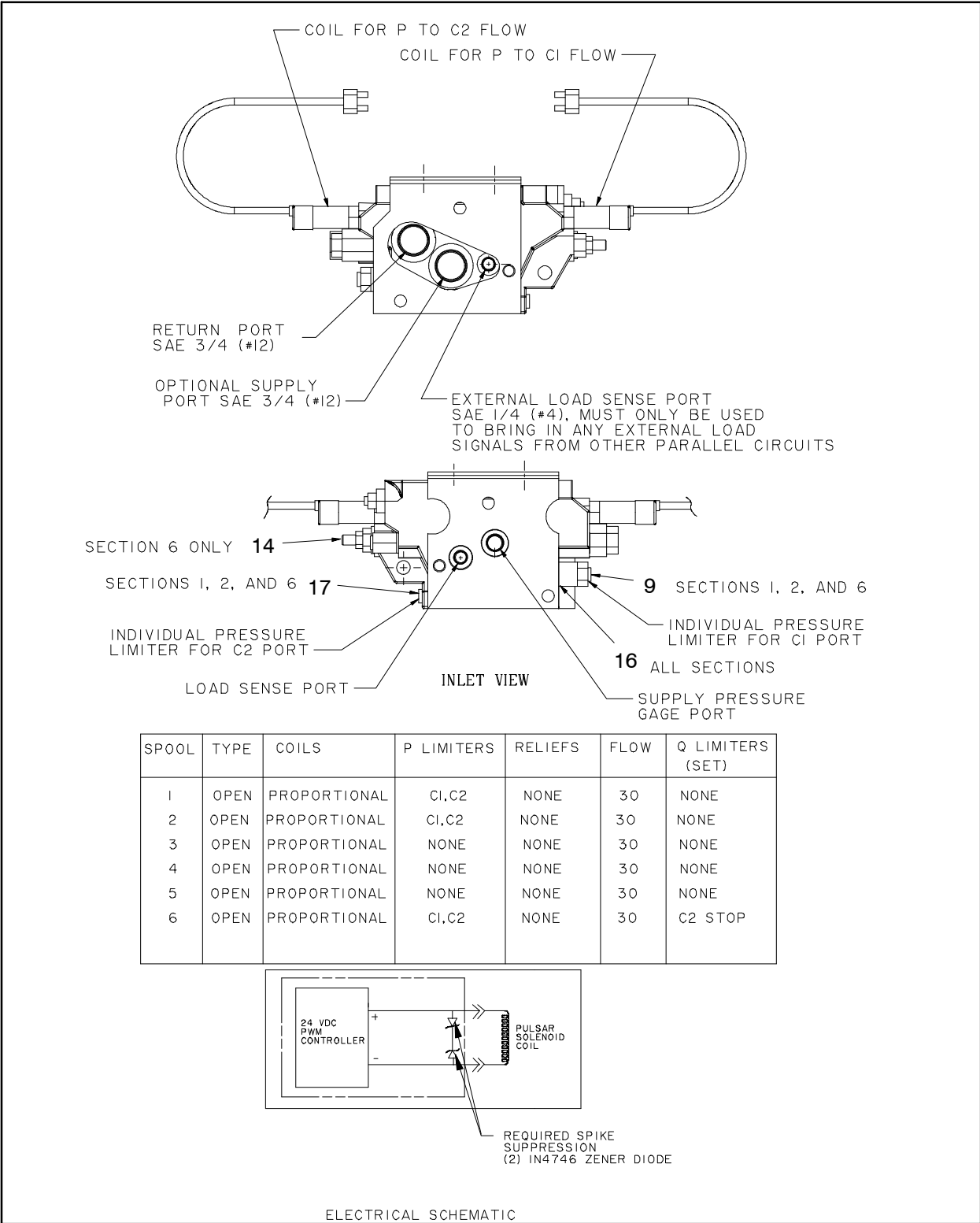


Figure 186 :VALVE ASSY,VPL6
 E57581894 REV 000

57581894 VALVE ASSY,VPL6

VALVE INSTL,6 SPOOL
 57656795



**Figure 187 :VALVE ASSY,VPL6
 E57581894 REV 000**

57581894 VALVE ASSY,VPL6

VALVE INSTL,6 SPOOL
57656795

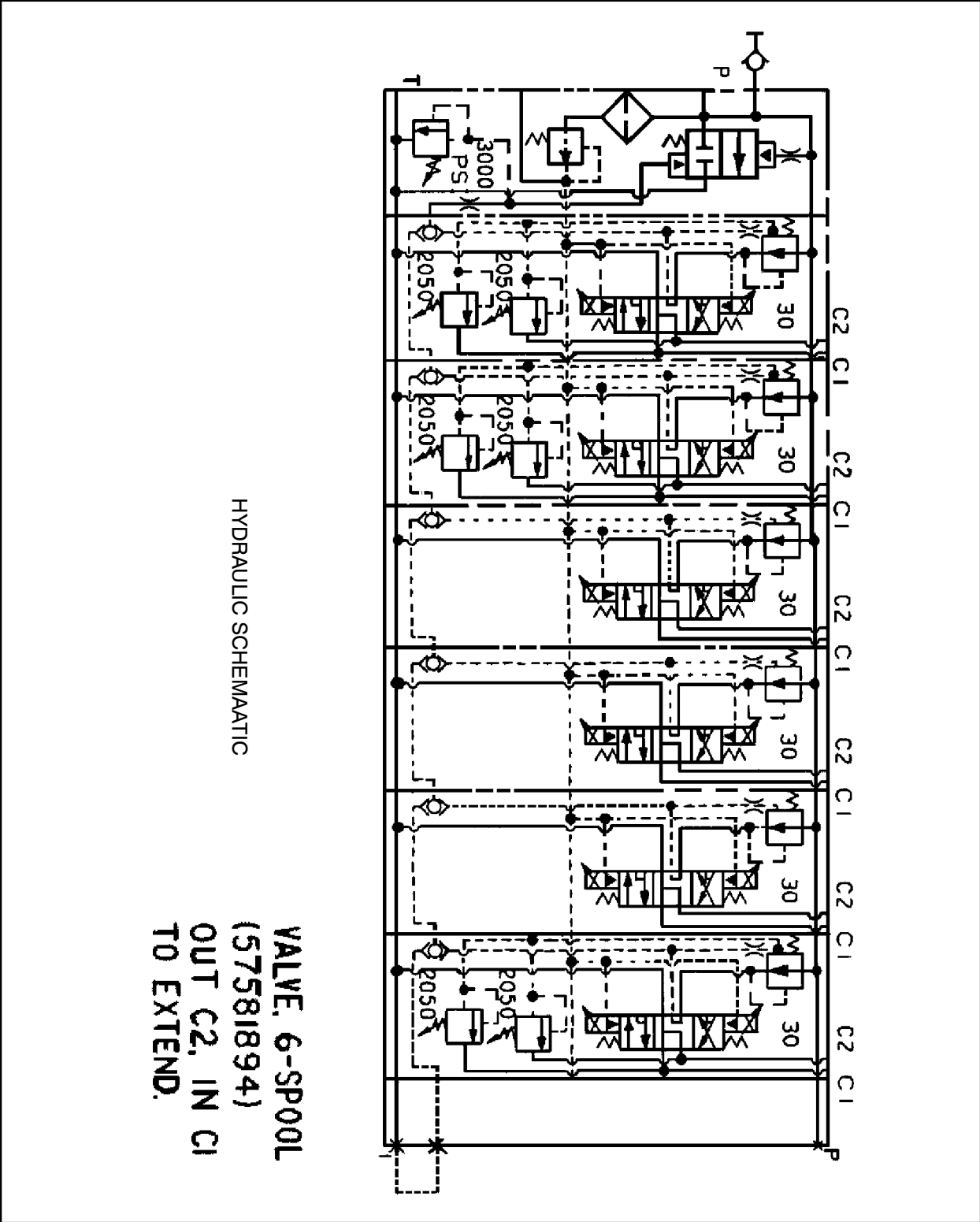


Figure 188 :VALVE ASSY,VPL6
E57581894 REV 000

57581894 VALVE ASSY,VPL6

REF.	PART NO.	QTY.	UNIT	DESCRIPTION
001	57639247	1	EA	BRACKET,INLET MOUNT
002	57639254	1	EA	SECTION,INLET,UNLOADING
003	57639262	2	EA	SECTION,VPL30 W/LIMITER
004	57639270	3	EA	SECTION,VPL30 W/O LIMIT
005	57640153	1	EA	SECTION,VPL30 W/LIM&Q
006	57640161	1	EA	SECTION,VPL6 OUT W/BOLTS
007	57640179	1	EA	BRACKET,OUTLET MOUNT
008	57730509	1	EA	KIT,PILOT REDUCING
009	57394843	4	EA	KIT, RELIEF VALVE
010	57394926	12	EA	PULSAR, 24V W/WEATHERPAK
011	57395048	12	EA	KIT, PULSAR SEAL
012	57394868	1	EA	KIT, INLET SECTION SEAL
013	57394876	6	EA	KIT, WORK SECTION SEAL
014	57640187	1	EA	KIT, SAE8 SPOOL STOP
015	57640195	1	EA	KIT,UNLOADER SPOOL
016	54580709	6	EA	KIT,SPOOL,COMPENSATOR
017	57640203	3	EA	KIT,C2 PRESSURE LIMITER

VALVE INSTL,6 SPOOL
 57656795

57535908

VALVE, 9 SPOOL – INST,ELEC

VALVE, 9 SPOOL – INST,ELEC
57535908

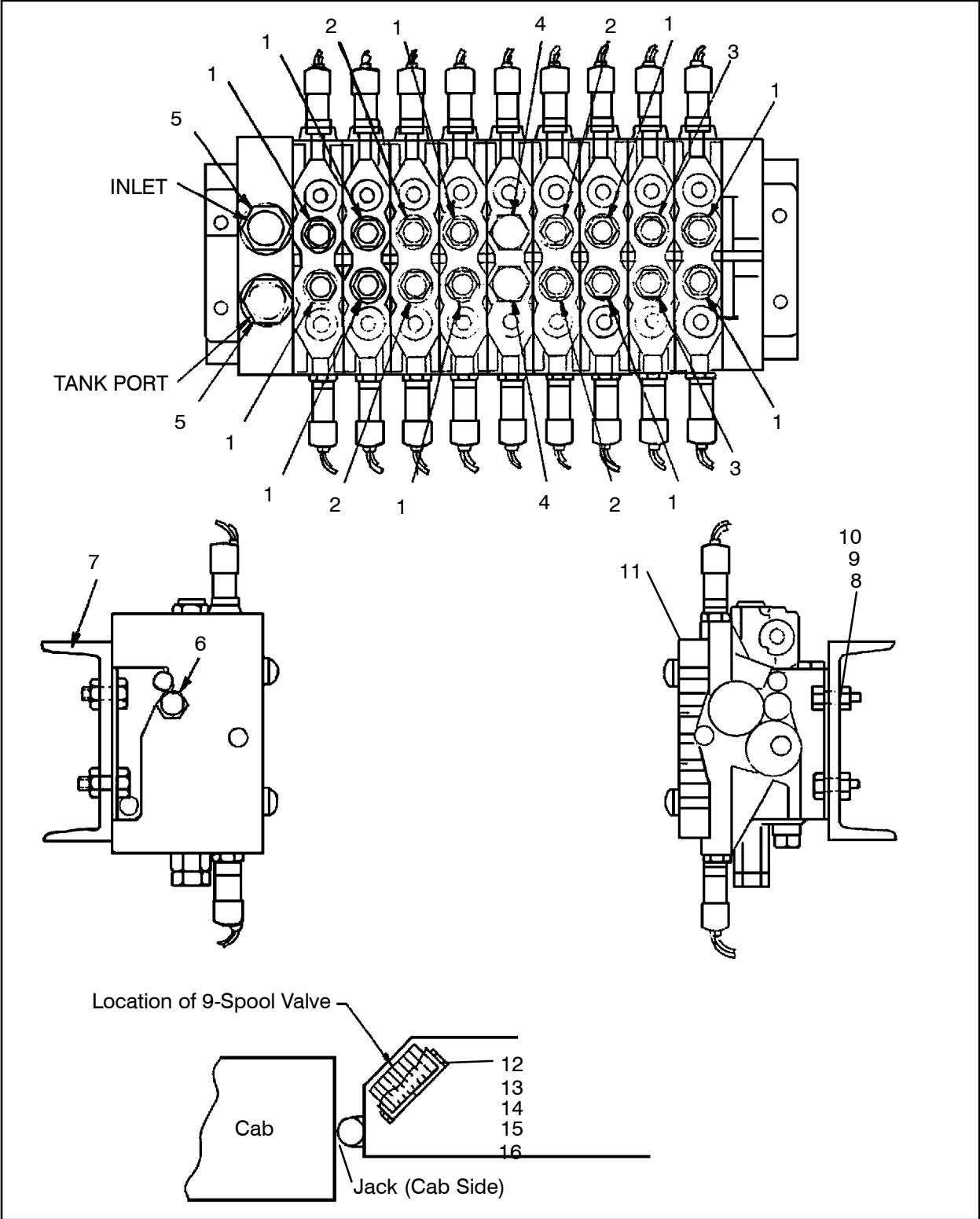


Figure 205 :VALVE, 9 SPOOL – INST,ELEC
C57535908 REV 003

57535908 VALVE, 9 SPOOL-INST,ELEC

REF.	PART NO.	QTY.	UNIT	DESCRIPTION
001	95356903	10	EA	FITTING, HYD
002	95419594	4	EA	FITTING, HYD
003	95303368	2	EA	ADAPTER, STR-JIC/O-RING
004	95323465	2	EA	PLUG HEAD
005	95356960	2	EA	FITTING, HYD
006	95365086	1	EA	FITTING, HYD
007	57536542	1	EA	BRACKET, MTG-9 SPOOL VLV
008	95920682	4	EA	SCREW, CAP-3/8-16 X1-1/4
009	95922654	4	EA	WASHER, LOCK-3/8 HVYPLTD
010	95922894	4	EA	NUT, HEX-3/8-16
011	57394991	1	EA	VALVE, 9-SPOOL,24V COILS <i>(See figure 206)</i>
012	57536997	1	EA	COVER, VALVE -9 SPOOL
013	52240959	4	EA	PLATE, TAPPED
014	95958351	4	EA	SCREW, CAP-1/4-20 X 7/8
015	95959128	4	EA	LOCKWASHER (REG.)
016	95922183	4	EA	WASHER, FLAT-1/4

VALVE, 9 SPOOL-INST,ELEC

57535908

57394991 VALVE, 9-SPOOL,24V COILS

VALVE, 9 SPOOL-INST,ELEC
57535908

14 KIT,SPOOL,COMPENSATOR (NOT SHOWN)

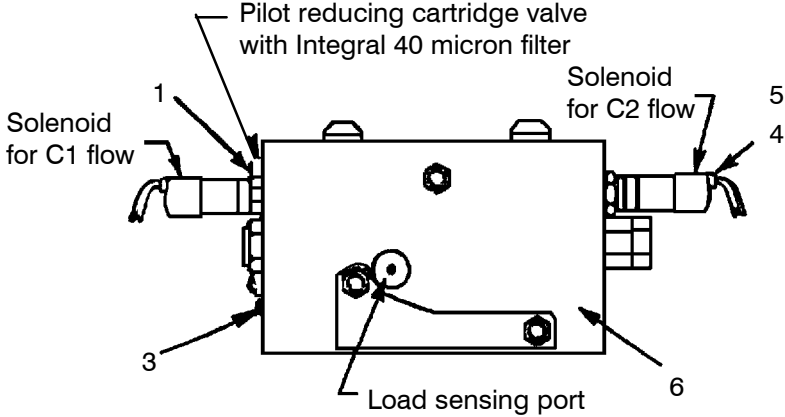
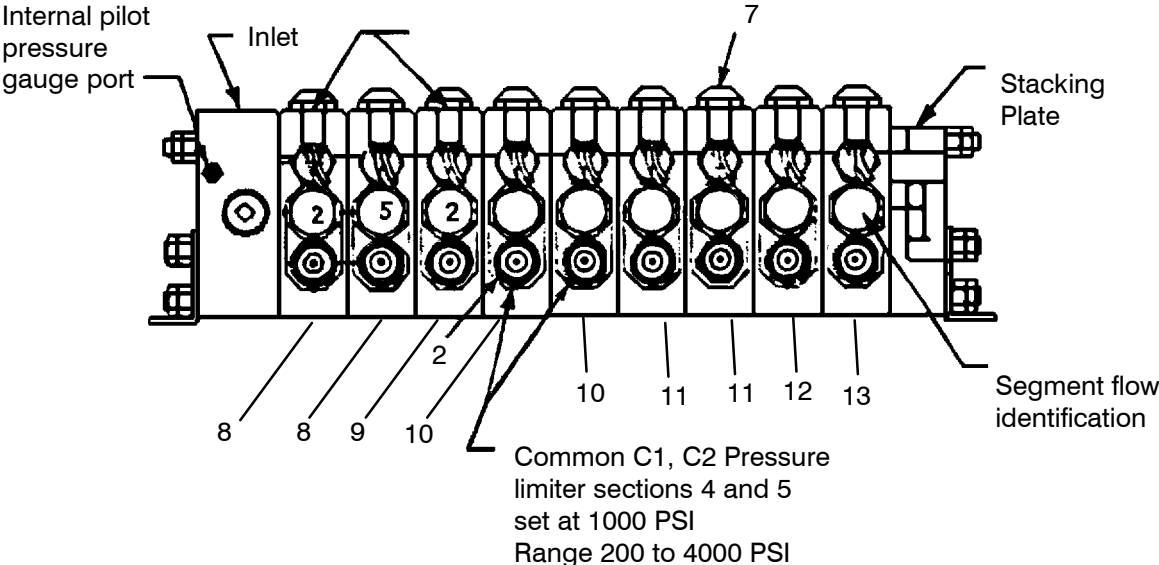


Figure 206 :VALVE, 9-SPOOL,24V COILS
E57394991 REV 002

57394991 VALVE, 9-SPOOL,24V COILS

REF.	PART NO.	QTY.	UNIT	DESCRIPTION
001	57394835	1	EA	KIT, PILOT REDUCING
002	57394843	2	EA	KIT, RELIEF VALVE
003	57394850	18	EA	SCREW, SET, STROKE LIMIT
004	57394926	18	EA	PULSAR, 24V W/WEATHERPAK
005	57395048	18	EA	KIT, PULSAR SEAL
006	57394868	1	EA	KIT, INLET SECTION SEAL
007	57394876	9	EA	KIT, WORK SECTION SEAL
008	57466575	2	EA	SECTION, VALVE SPOOL
009	57466583	1	EA	SECTION, VALVE
010	57466567	2	EA	SECTION, VALVE SPOOL
011	57466591	2	EA	SECTION, VALVE SPOOL
012	57466609	1	EA	SECTION, VALVE SPOOL
013	57466617	1	EA	SECTION, VALVE SPOOL
014	54580709	1	EA	KIT,SPOOL,COMPENSATOR

VALVE, 9 SPOOL-INST,ELEC

57535908

57535858 WRENCH CYLINDER

WRENCH CYLINDER
57535858

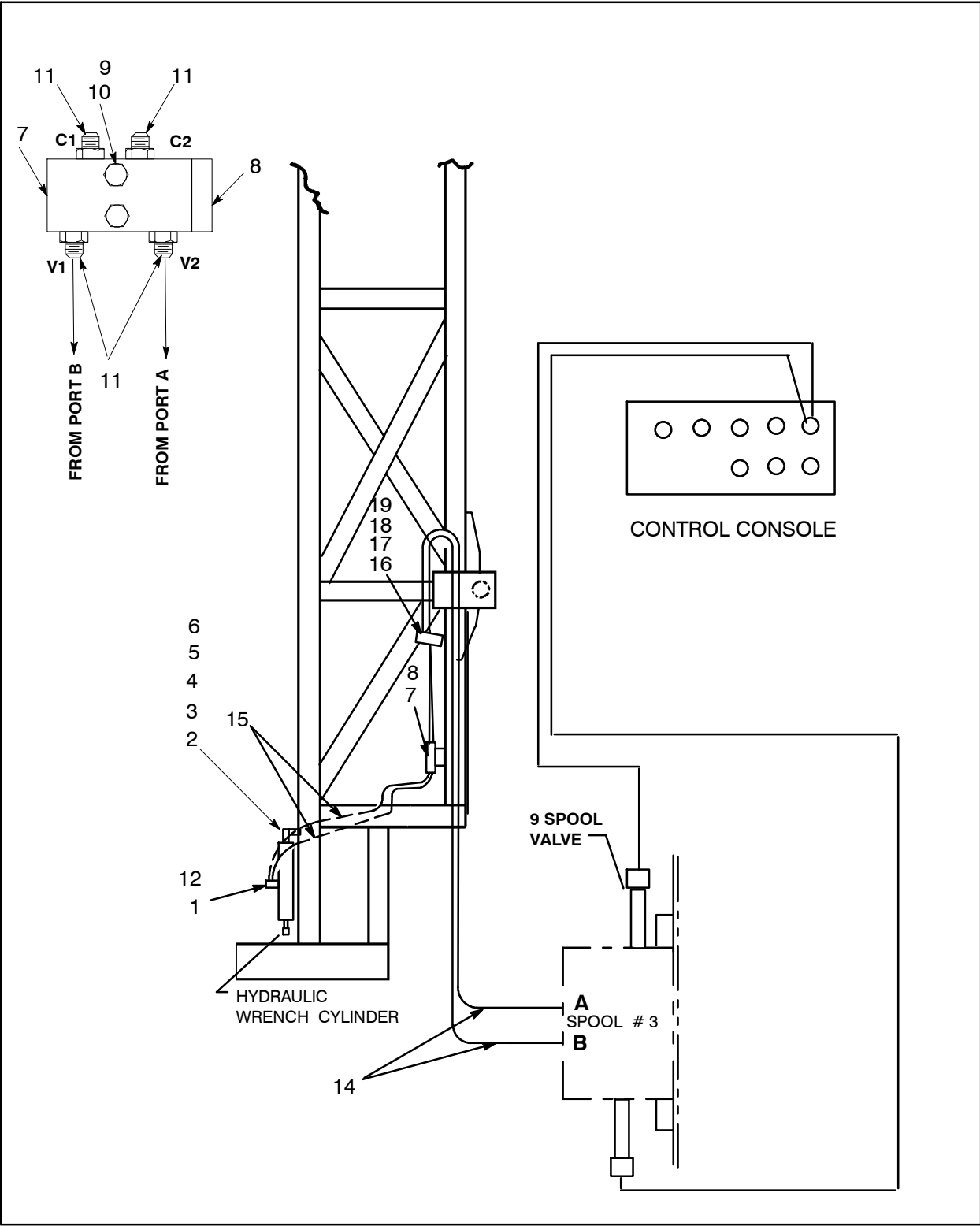
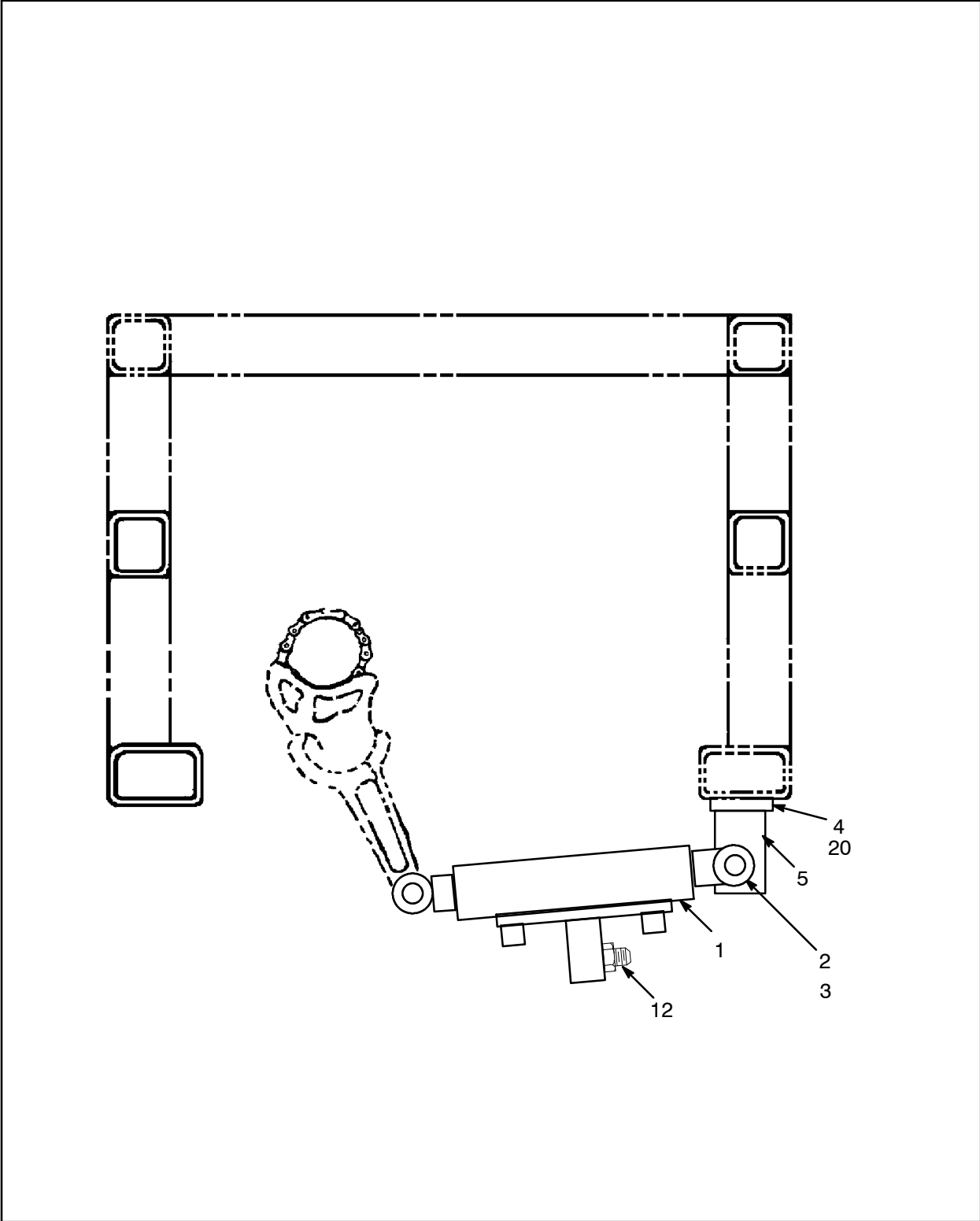


Figure 207 :WRENCH CYLINDER
E57535858 REV00

57535858 WRENCH CYLINDER



WRENCH CYLINDER
57535858

Figure 208 :WRENCH CYLINDER
E57535858 REV00

57535858 WRENCH CYLINDER

WRENCH CYLINDER
57535858

REF.	PART NO.	QTY.	UNIT	DESCRIPTION
001	57039638	1	EA	CYLINDER, HYDRAULIC
	57039810	1	EA	● - KIT,SEAL (See figure 209)
	57012676	1	EA	● - PLUG, NYLON
	57012684	1	EA	● - SCREW, SET
002	95342028	1	EA	PIN, HINGE
003	95093381	2	EA	PIN, COTTER-3/16 X 1-3/4
004	57391104	1	EA	BRACKET- WRENCH CYL MOUNT
005	57391112	1	EA	PIVOT - WRENCH CYL MOUNT
006	52233954	1	EA	CYL RETAINER
007	50462944	1	EA	VALVE, CHECK-DBL PILOT OP
008	52208691	1	EA	BRACKET, MOUNTING
009	95943668	2	EA	SCREW, CAP-5/16-18X1-3/4
010	95934303	2	EA	WASHER, LOCK-5/16 PLATED
011	95419594	4	EA	FITTING, HYD
012	95371258	2	EA	FITTING, HYD
014	58148040	2	EA	HOSE ASSY
015	56964232	2	EA	HOSE ASSY
016	50034826	4	EA	CLAMP, HOSE
017	95931564	2	EA	NUT, HEX-1/4-20
018	95934766	2	EA	WASHER, LOCK-1/4 PLATED
019	95920724	2	EA	SCREW, CAP-1/4-20 X 1-1/2
020	95201281	1	EA	FITTING, LUBE

57535858 WRENCH CYLINDER

This page is intentionally blank.

WRENCH CYLINDER 57535858

57039810 KIT,SEAL

WRENCH CYLINDER
57535858

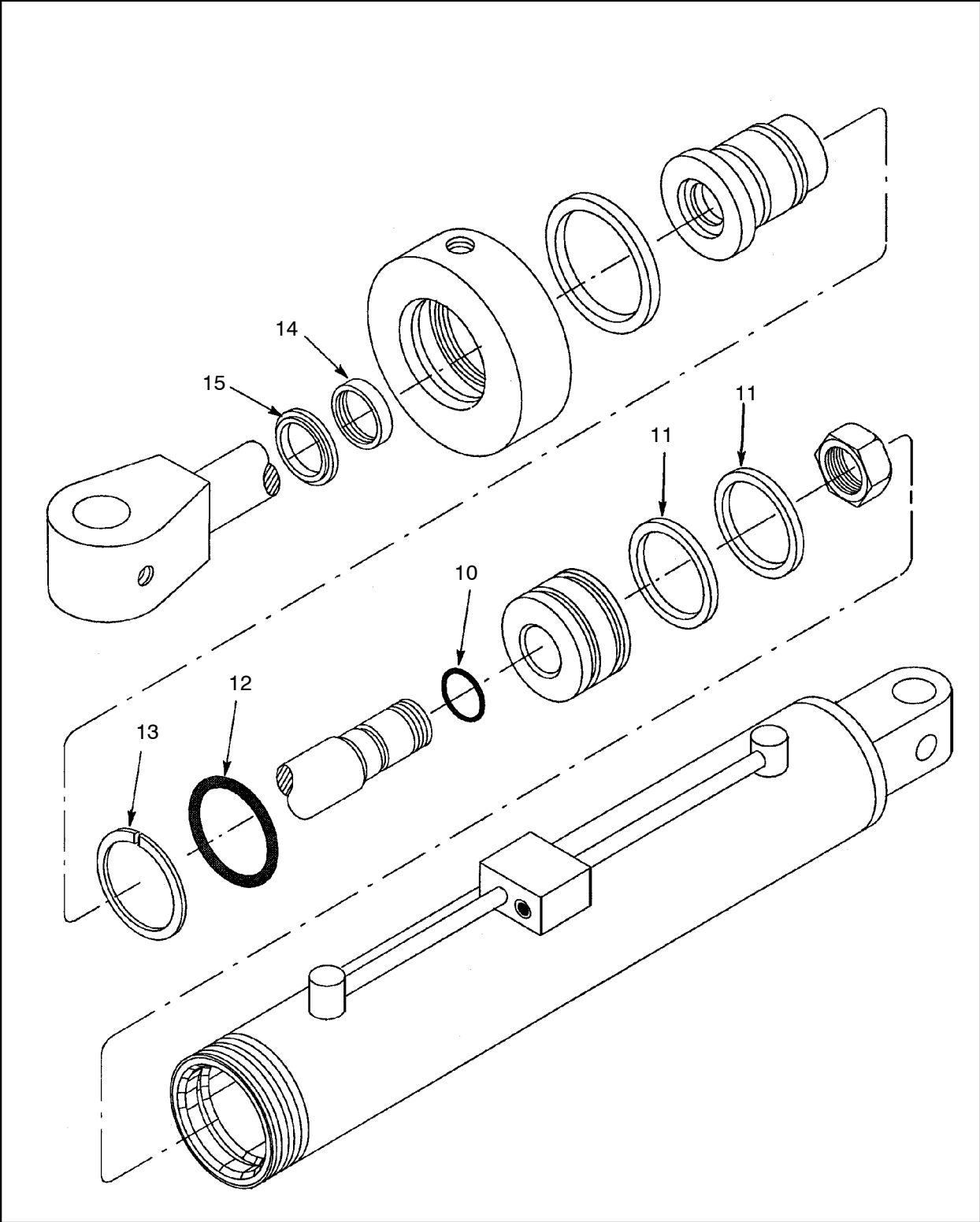


Figure 209 :KIT,SEAL
E57039638 REV 00

57039810 KIT,SEAL

REF.	PART NO.	QTY.	UNIT	DESCRIPTION
010	57326795	1	EA	O-RING
011	57326803	2	EA	U-CUP
012	57224081	1	EA	O-RING
013	57163529	1	EA	RING, BACK UP
014	57163453	1	EA	U-CUP
015	59322677	1	EA	WIPER

WRENCH CYLINDER
57535858

ELECTRICAL SYSTEM

SECTION

ELECTRICAL SYSTEM

This page is intentionally blank.

SECTION

ELECTRICAL SYSTEM

57639411 WIRING,BASIC ELEC

WIRING,BASIC ELEC 57639411

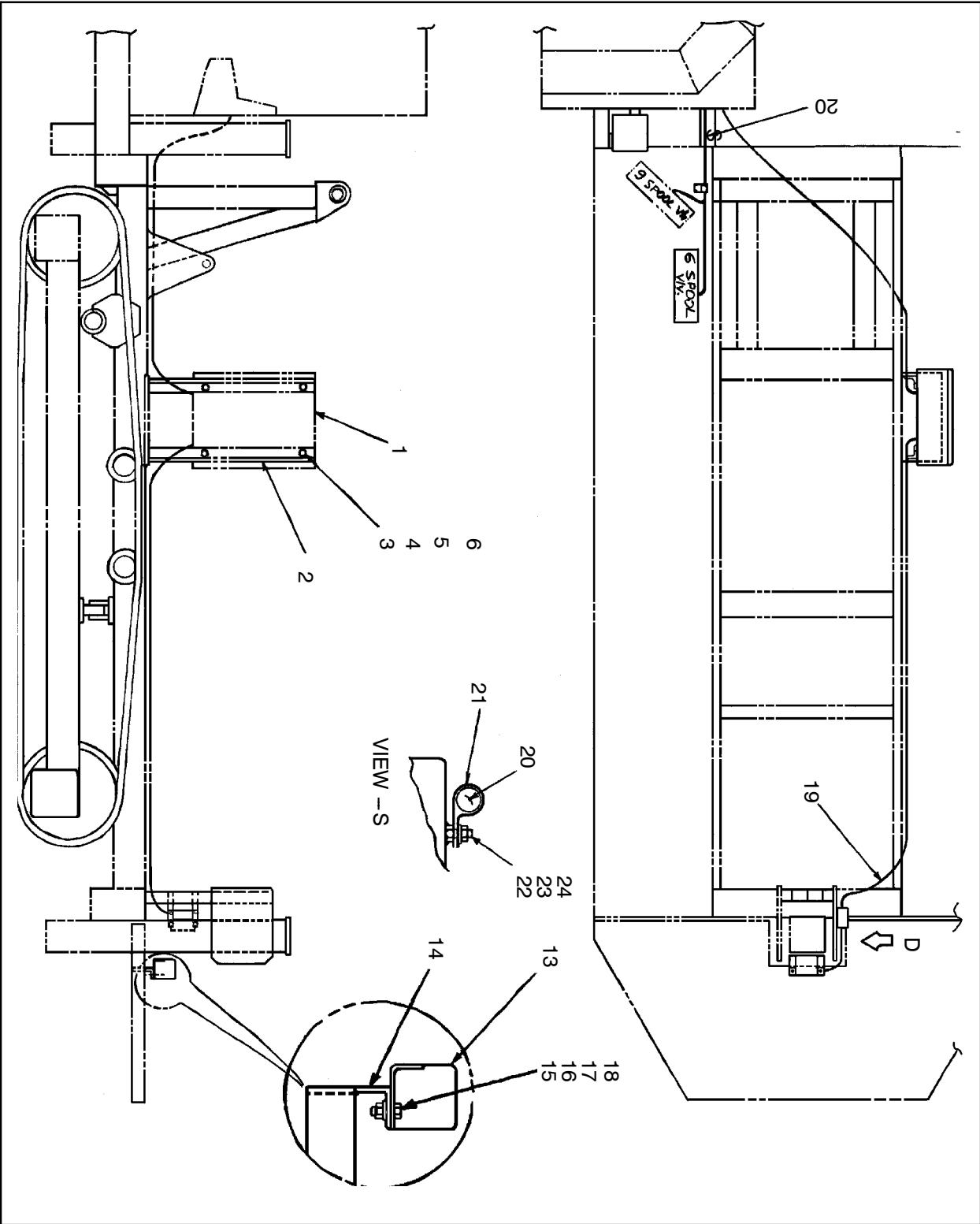
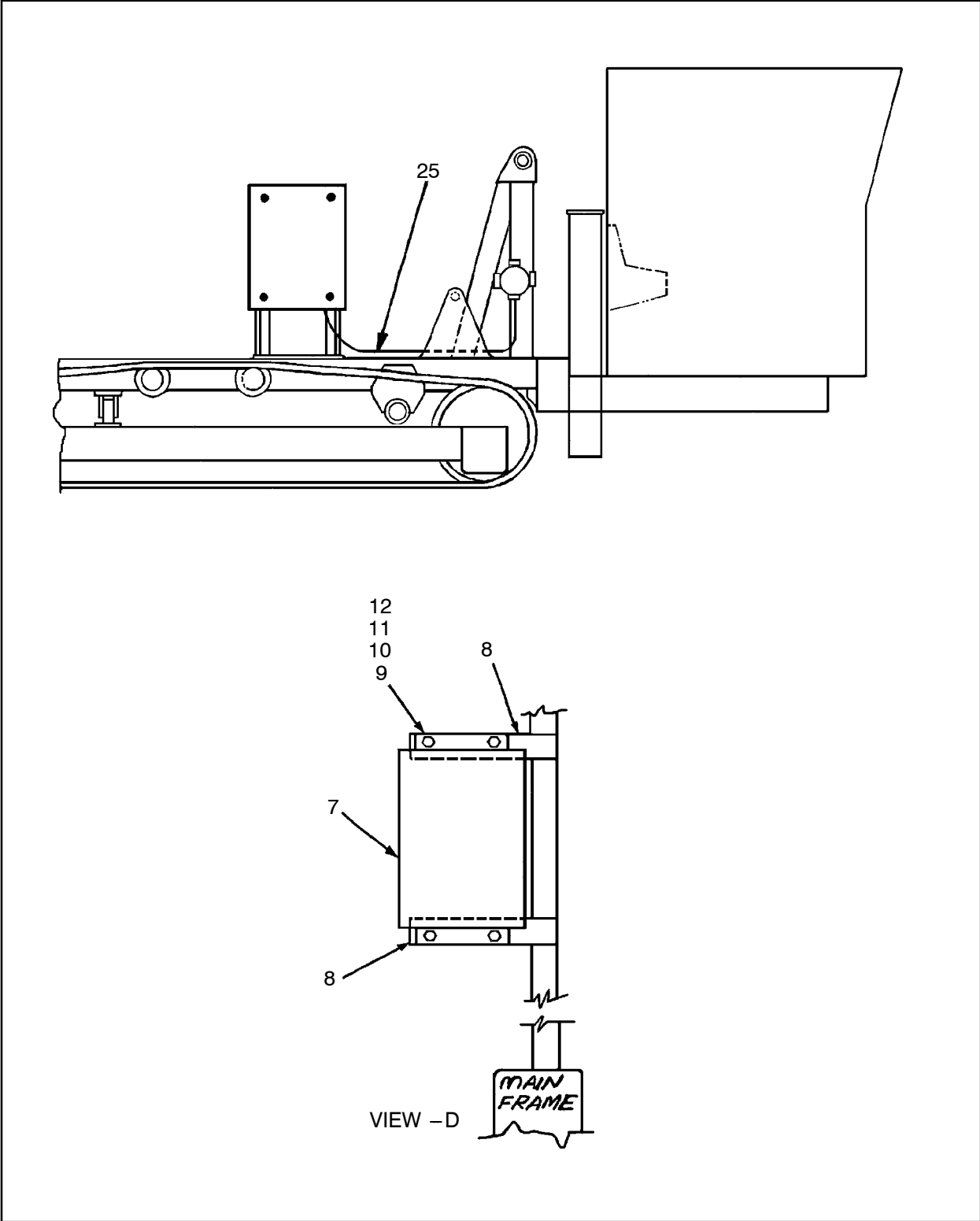


Figure 194 :WIRING,BASIC ELEC
D57639411 REV 001

57639411 WIRING,BASIC ELEC



WIRING,BASIC ELEC
57639411

Figure 195 :WIRING,BASIC ELEC
D57639411 REV 001

57639411 WIRING,BASIC ELEC

WIRING,BASIC ELEC 57639411

REF.	PART NO.	QTY.	UNIT	DESCRIPTION
001	57665044	1	EA	BOX,ELEC ASM TIER 2
	57684888	120	EA	● - TERMINAL,BLOCK
	57684979	120	EA	● - MARKER,TERMINAL
	57429748	4	EA	● - HOLDER, LOCKING END
002	57549503	1	EA	BRACKET, ELEC BOX 24X20
003	95920682	4	EA	SCREW,CAP,HEX
004	95937413	4	EA	WASHER,LOCK,HELICAL
005	95922373	8	EA	WASHER,FLAT
006	95922894	4	EA	NUT,HEX,FINISHED
007	57549941	1	EA	BOX, ELEC ASSY-8X6X3.5
	57443525	17	EA	● - BLOCK,UK10 TERMINAL
	57429748	2	EA	● - HOLDER, LOCKING END
008	56257553	2	EA	BRACKET-ELEC BOX, 8X6
009	95934816	4	EA	SCREW,CAP,HEX
010	95934766	4	EA	WASHER,LOCK,HELICAL
011	95922324	8	EA	WASHER,FLAT,NARROW
012	95931564	4	EA	NUT,HEX,FINISHED
013	57366387	1	EA	ALARM, BACKUP-12 TO36VDC
014	57014672	1	EA	ANGLE
015	95929006	2	EA	SCREW, CAP-5/16-18 X 1
016	95934303	2	EA	WASHER,LOCK,PLATED
017	95922225	2	EA	WASHER, FLAT-5/16
018	95929782	2	EA	NUT,HEX,FINISHED
019	57549982	1	EA	HARNESS WIRE-BOX TO BOX
020	56256605	1	EA	HARNESS-6&9 SPOOL VALVE
021	95378873	1	EA	CLAMP, HOSE
022	95104147	1	EA	SCREW,CAP,HEX
023	95934733	1	EA	WASHER,LOCK
024	95922902	1	EA	NUT,HEX,FINISHED,PLATED
025	57662876	1	EA	HARNESS,WIRE ELEC BOX

57639411 WIRING,BASIC ELEC

This page is intentionally blank.

WIRING,BASIC ELEC
57639411

57541930 LIGHTS,NIGHT-9 LIGHT PKG

LIGHTS,NIGHT-9 LIGHT PKG 57541930

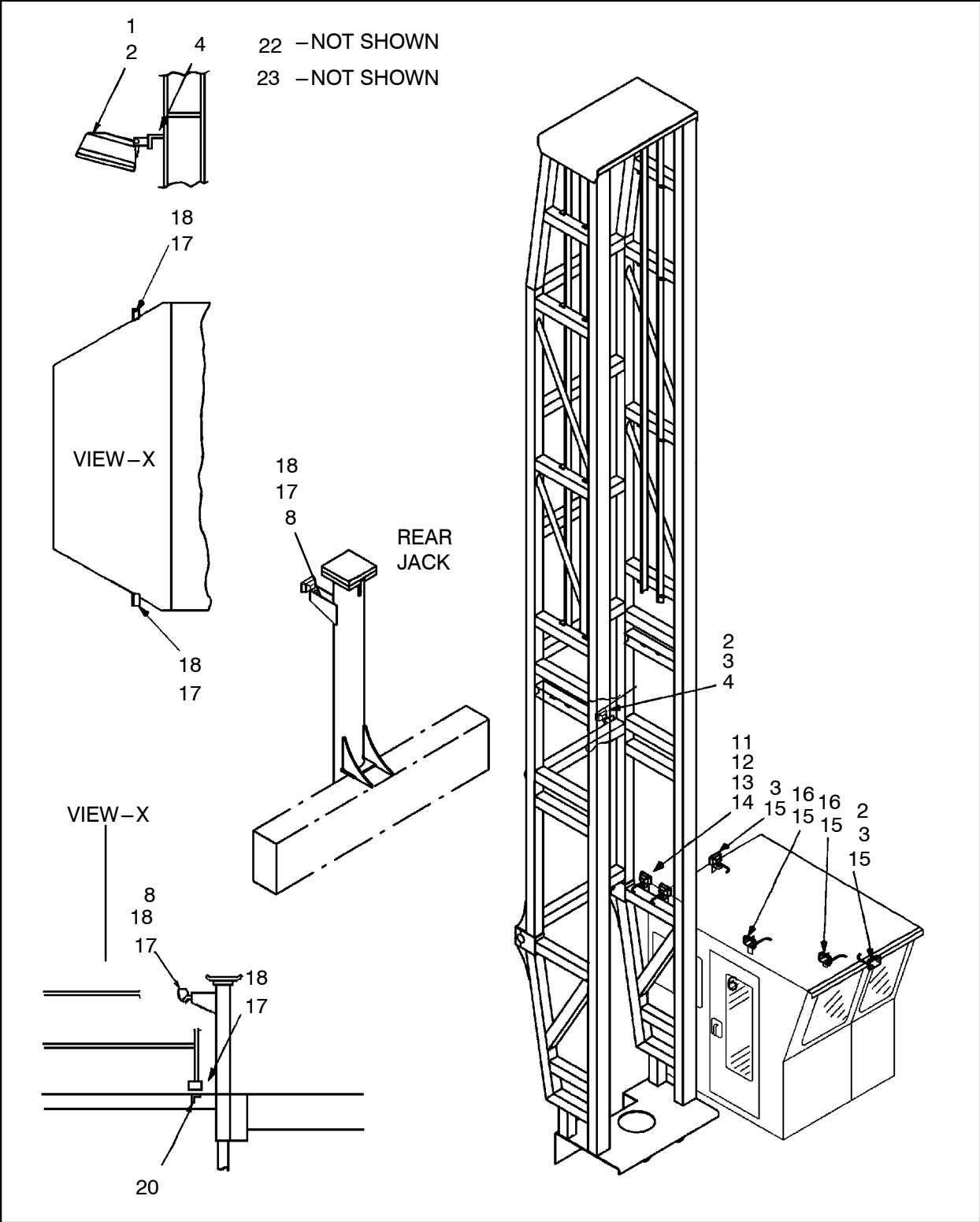
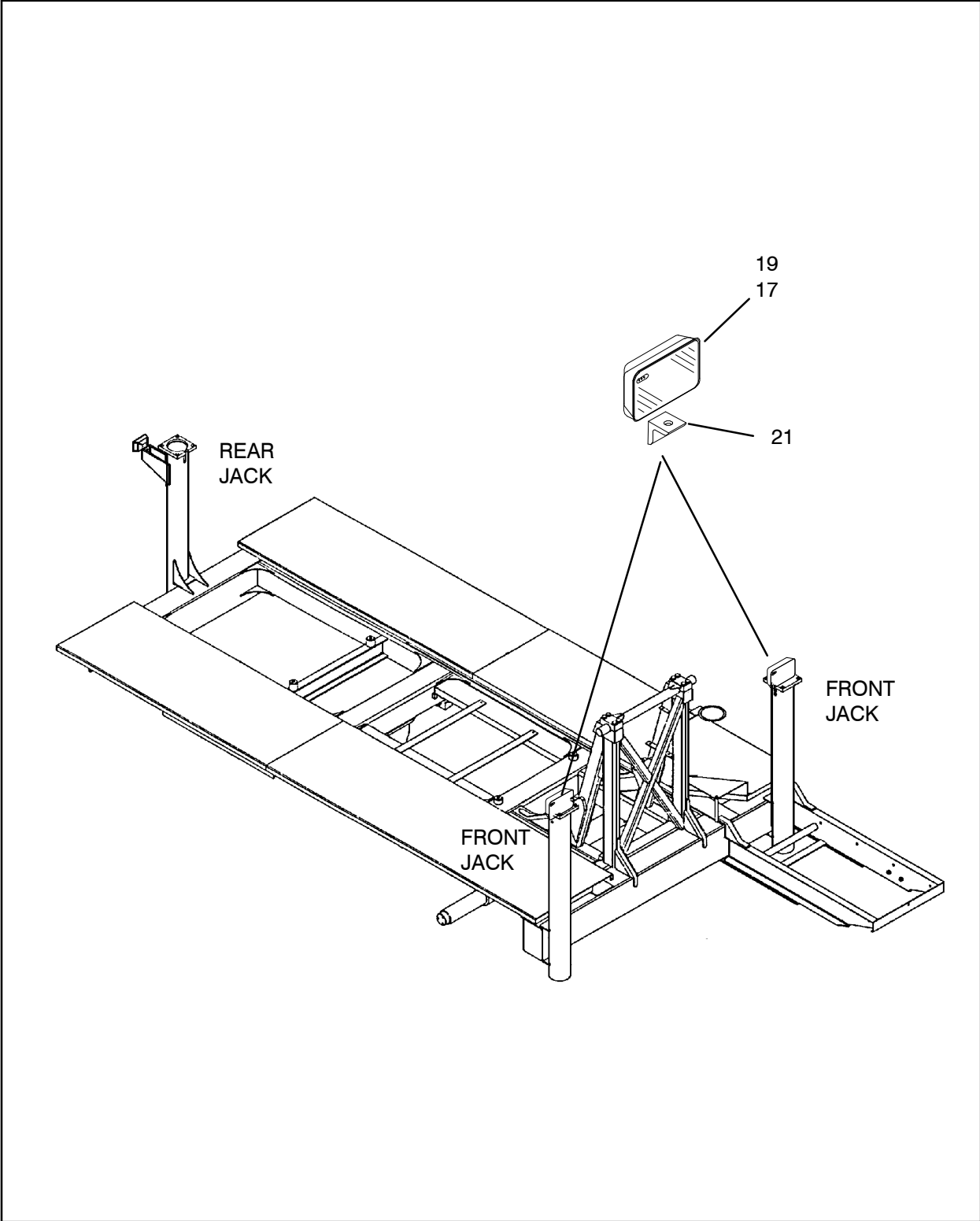


Figure 198 :LIGHTS,NIGHT-9 LIGHT PKG
D57541930 REV 003

57541930 LIGHTS,NIGHT-9 LIGHT PKG



LIGHTS,NIGHT-9 LIGHT PKG 57541930

Figure 199 :LIGHTS,NIGHT-9 LIGHT PKG
D57541930 REV 003

57541930 LIGHTS,NIGHT-9 LIGHT PKG

LIGHTS,NIGHT-9 LIGHT PKG 57541930

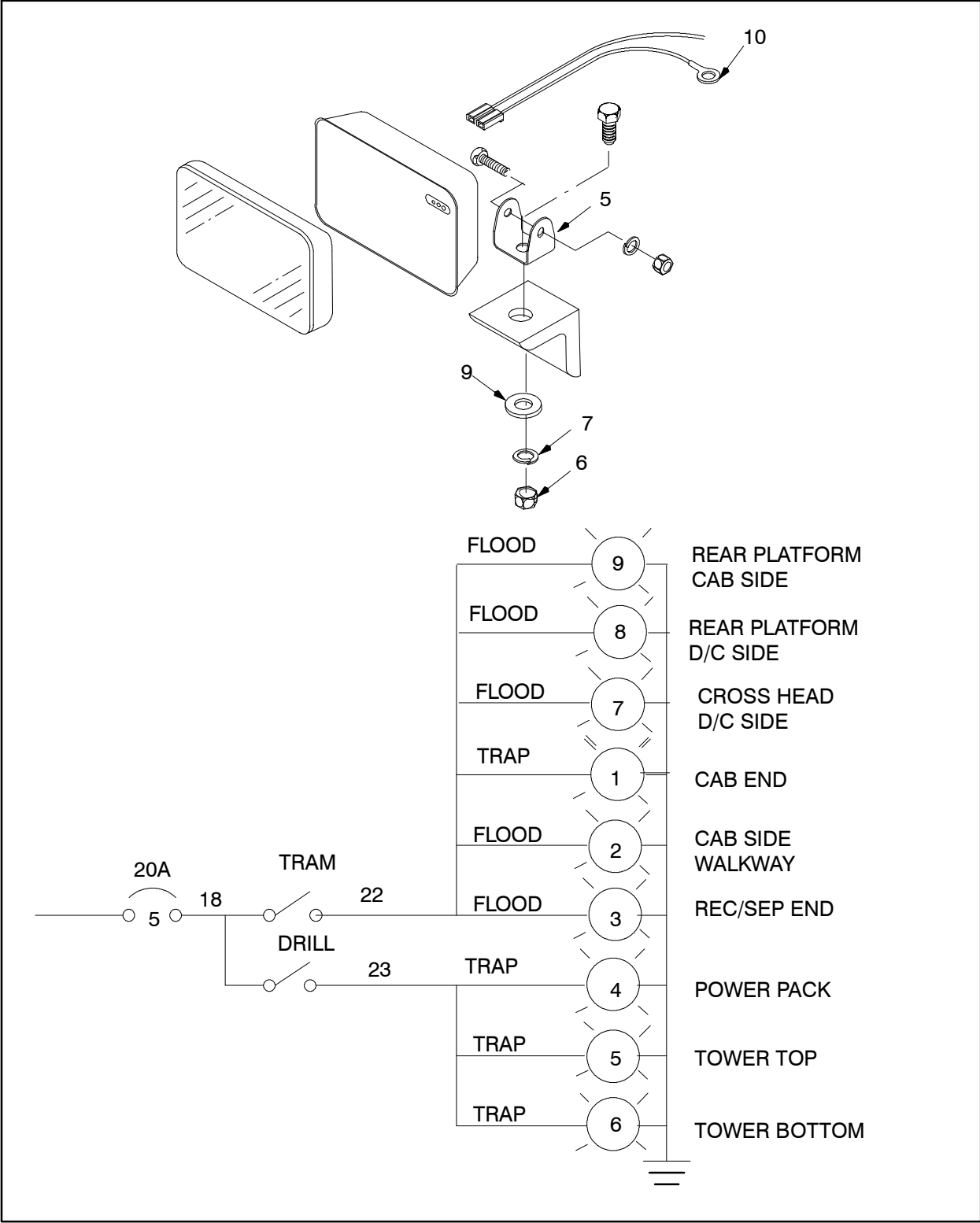


Figure 200 :LIGHTS,NIGHT-9 LIGHT PKG
 D57541930 REV 003

57541930 LIGHTS,NIGHT –9 LIGHT PKG

REF.	PART NO.	QTY.	UNIT	DESCRIPTION
001	57157885	1	EA	HOUSING, 4X6 LIGHT
002	57157893	1	EA	LAMP, TRAP – 70W HALOGEN
003	57147282	2	EA	LAMP, FLOOD – 70W HALOGEN
004	56790330	1	EA	ANGLE
005	95935185	9	EA	CAPSCREW,HEX HEAD,PLATED
006	95922910	9	EA	NUT,HEX, PLATED
007	95934741	9	EA	WASHER,LOCK HELICAL
008	57330110	1	EA	BAR, W/HOLES, 3/8X2X11
009	95094314	9	EA	WASHER,FLAT,WIDE
010	59854943	6	EA	CONNECTOR, 2 – WAY FEMALE
011	95301834	7	EA	CLAMP,HOSE
012	95934550	7	EA	CAPSCREW,HEX HEAD
013	95922894	7	EA	NUT,HEX,FINISHED
014	95937413	7	EA	WASHER,LOCK,HELICAL
015	57157885	4	EA	HOUSING, 4X6 LIGHT
016	57157893	2	EA	LAMP, TRAP – 70W HALOGEN
017	57157885	4	EA	HOUSING, 4X6 LIGHT
018	57147282	3	EA	LAMP, FLOOD – 70W HALOGEN
019	57157893	1	EA	LAMP, TRAP – 70W HALOGEN
020	56790330	2	EA	ANGLE
021	56790330	1	EA	ANGLE
022	57400715	12	EA	SEAL, 14 – 12 AWG CABLE
023	59854828	12	EA	TERMINAL, 14 – 16 AWG MALE

LIGHTS,NIGHT –9 LIGHT PKG 57541930

56245384 WIRING,STD, ELEC RIG

WIRING,STD, ELEC RIG 56245384

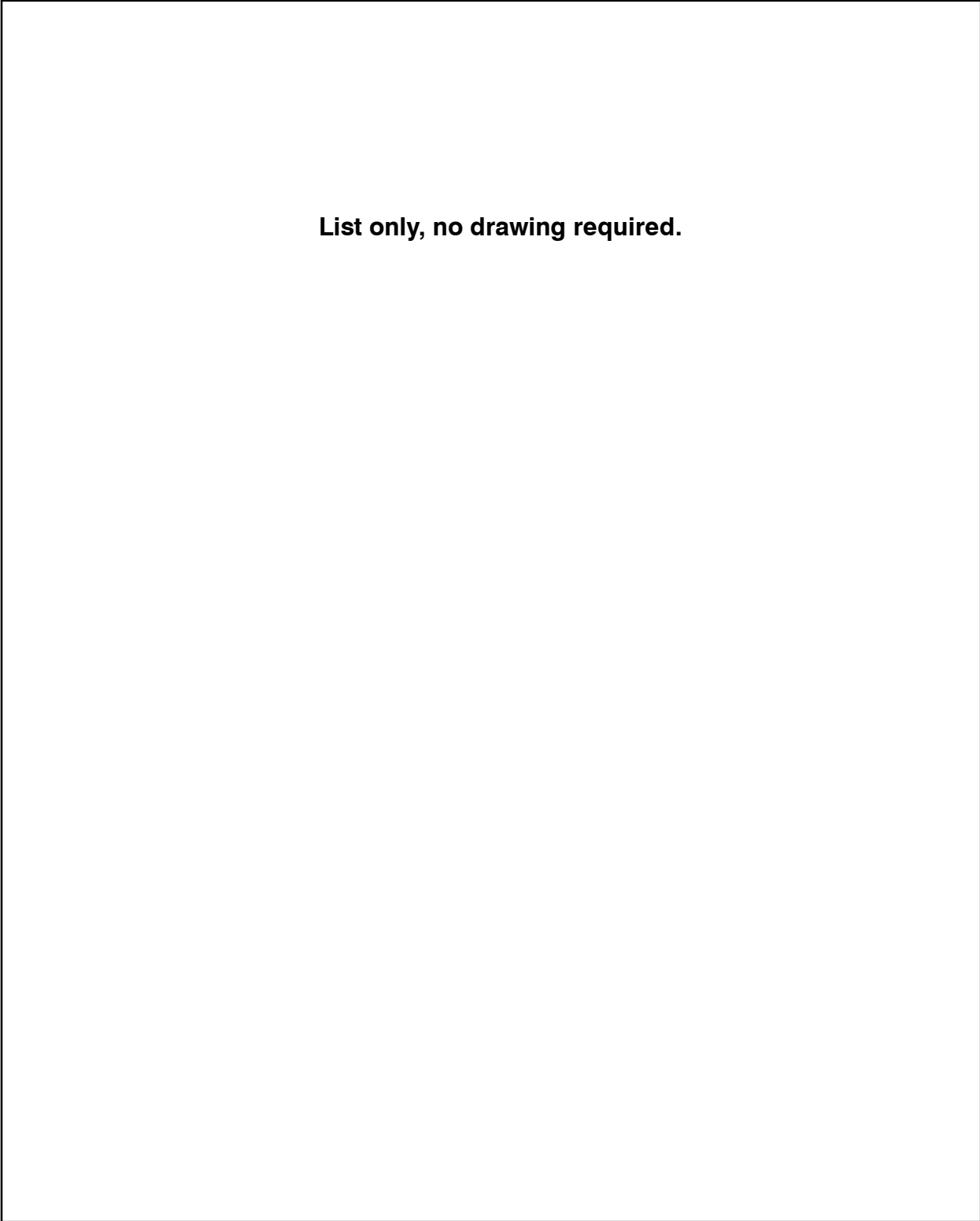


Figure 214 :WIRING,STD, ELEC RIG
NONE REV 000

56245384 WIRING,STD, ELEC RIG

REF.	PART NO.	QTY.	UNIT	DESCRIPTION
005	52240959	14	EA	PLATE, TAPPED
005	52240959	16	EA	PLATE, TAPPED
006	52175809	3	EA	BOX, 1/2 STONCO
007	52240397	3	EA	BOX,3/4 STONCO
044	95377743	10	EA	OUTLET, BODY
045	95344818	10	EA	COVER, 1/2
046	95344867	10	EA	GASKET, COVER-1/2
047	95344727	5	EA	OUTLET BODY
048	95344826	5	EA	COVER, 3/4
049	95344875	5	EA	GASKET, COVER-3/4
050	57443525	200	EA	BLOCK,UK10 TERMINAL
051	57429748	20	EA	HOLDER, LOCKING END
052	57429730	20	EA	COVER, TERMINAL BLOCKEND
053	57221855	120.00	IN	MOUNTING RAIL (DIN)
054	57435034	10	EA	BRIDGE, ELEC. INSULATED
055	57455586	600	EA	SLEEVE, WIRE TRANSPARENT
056	57455594	200	EA	SLEEVE, WIRE TRANSPARENT
057	57455602	30	EA	SLEEVE, WIRE TRANSPARENT
058	57471344	500	EA	CHARACTER, WIRE SLEEVE 0
059	57471351	500	EA	CHARACTER, WIRE SLEEVE 1
060	57471369	500	EA	CHARACTER, WIRE SLEEVE 2
061	57471377	500	EA	CHARACTER, WIRE SLEEVE 3
062	57471385	400	EA	CHARACTER, WIRE SLEEVE 4
063	57471393	600	EA	CHARACTER, WIRE SLEEVE 5
064	57471401	300	EA	CHARACTER, WIRE SLEEVE 6
065	57471419	300	EA	CHARACTER, WIRE SLEEVE 7
066	57471427	300	EA	CHARACTER, WIRE SLEEVE 8
067	57471435	300	EA	CHARACTER, WIRE SLEEVE 9
068	57471443	100	EA	CHARACTER, WIRE SLEEVE A
069	57471450	50	EA	CHARACTER, WIRE SLEEVE B
070	57522443	120	EA	CHARACTER, WIRESLEEVE- E
071	57455628	10	EA	LABEL, 1-HOLE ADHESIVE
072	57036881	1	EA	BAR, COPPER
080	95414033	2	EA	OUTLET BODY
082	57427148	2	EA	ADAPTER, 1-1/2 PVC
083	52236544	2	EA	GASKET, 1-1/2
084	95414058	2	EA	COVER, 1.5

WIRING,STD, ELEC RIG 56245384

56245384 WIRING,STD, ELEC RIG

WIRING,STD, ELEC RIG
56245384

REF.	PART NO.	QTY.	UNIT	DESCRIPTION
085	95414066	2	EA	GASKET, COVER-1-1/2
086	95482451	2	EA	CONNECTOR, 1 45 DEG
087	52236551	2	EA	GASKET, 1
088	58081647	50	EA	RIVET, 1/8 DIA X .357POP
089	57387904	10	EA	CONNECTOR, 2-WAY
090	59854828	25	EA	TERMINAL, 14-16 AWG MALE
091	57400715	50	EA	SEAL, 14-12 AWG CABLE
092	59854943	10	EA	CONNECTOR, 2-WAY FEMALE
093	57176604	25	EA	TERMINAL,PACKARD SLEEVE
096	56954852	1	EA	CHANNEL, DUCT
097	56954860	1	EA	COVER, DUCT
098	57472839	1	EA	CHANNEL, WIRING DUCT
099	57472847	1	EA	COVER, WIRING DUCT
100	57435075	2	EA	BRIDGE, ELEC. INSULATED
101	57429714	7	EA	BLOCK, 6MM COMPONENTELEC
102	57429722	7	EA	PLUG, 6MM COMPONENT
103	59356907	1	EA	CONNECTOR, 3-WAY, MALE
104	59895151	1	EA	CONNECTOR, 3-WAY,FEMALE
105	57196677	7	EA	DIODE, 3A, 600V
107	57387904	4	EA	CONNECTOR, 2-WAY
108	59854828	8	EA	TERMINAL, 14-16 AWG MALE
109	57400715	16	EA	SEAL, 14-12 AWG CABLE
110	59854943	4	EA	CONNECTOR, 2-WAY FEMALE
111	52240397	1	EA	BOX,3/4 STONCO
112	95735049	1	EA	OUTLET BODY
113	95344719	1	EA	OUTLET BODY
114	95344818	2	EA	COVER, 1/2
115	95344867	2	EA	GASKET, COVER-1/2
116	95368536	4	EA	CONNECTOR, 1/2 45 DEG
117	95361390	2	EA	CONNECTOR, 1/2 90 DEG
118	95318457	1	EA	CONNECTOR, 3/4 90 DEG
119	95256863	3	EA	BUSHING,REDUCING-.75X.50
120	95245221	4	EA	CONNECTOR, STRAIGHT-1/2
121	95256749	4	EA	CLAMP-3/4
122	95256723	4	EA	CLAMP-1/2
123	57433781	1	EA	POTENTIOMETER,500-OHM
124	56263452	6	EA	CONNECTOR, CORD GRIP

56245384 WIRING,STD, ELEC RIG

REF.	PART NO.	QTY.	UNIT	DESCRIPTION
125	52236569	10	EA	GASKET, 3/4
126	52236577	10	EA	GASKET, SEALING
127	52236544	1	EA	GASKET, 1-1/2
128	50625839	10	EA	BUSHING, CONDUIT
129	50625847	10	EA	BUSHING, CONDUIT-3/4
130	50628726	1	EA	BUSHING
131	52240959	12	EA	PLATE, TAPPED
132	95361853	2	EA	CONNECTOR, 1.5 X 45 DEG
133	58814419	1	EA	ELECT. CONN, 4 WAY, MALE
134	57558454	1	EA	HARNESS, MAIN PUMPS
135	56277759	4.00	IN	TUBING,SHINK-1/8 DIA.
136	95985925	12	EA	TERMINAL, FEMALE
137	54501093	2	EA	TUBING,SHRINK 1/4"

WIRING,STD, ELEC RIG
 56245384

57651382 WIRING DIAGRAM QSX

WIRING DIAGRAM QSX
57651382

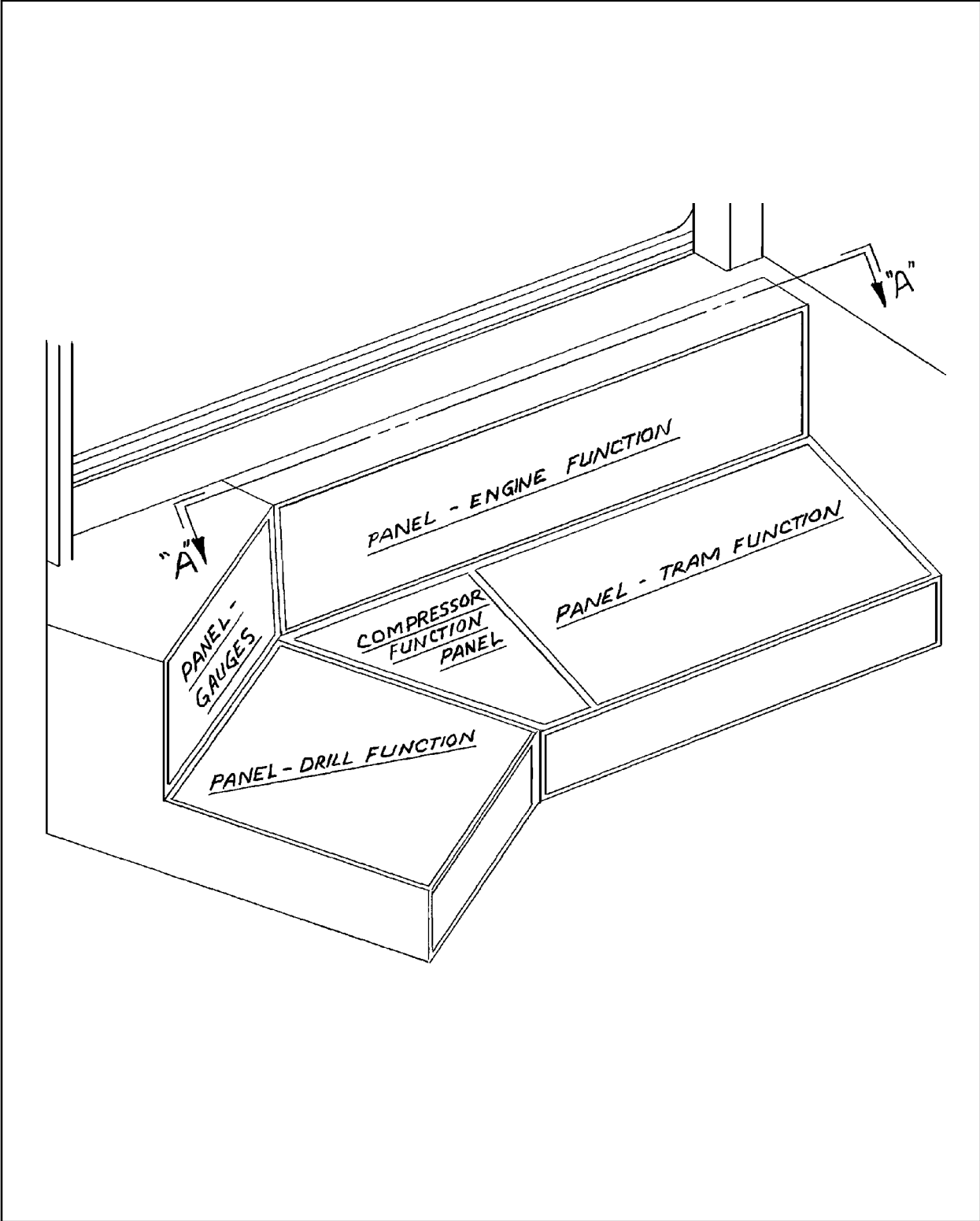
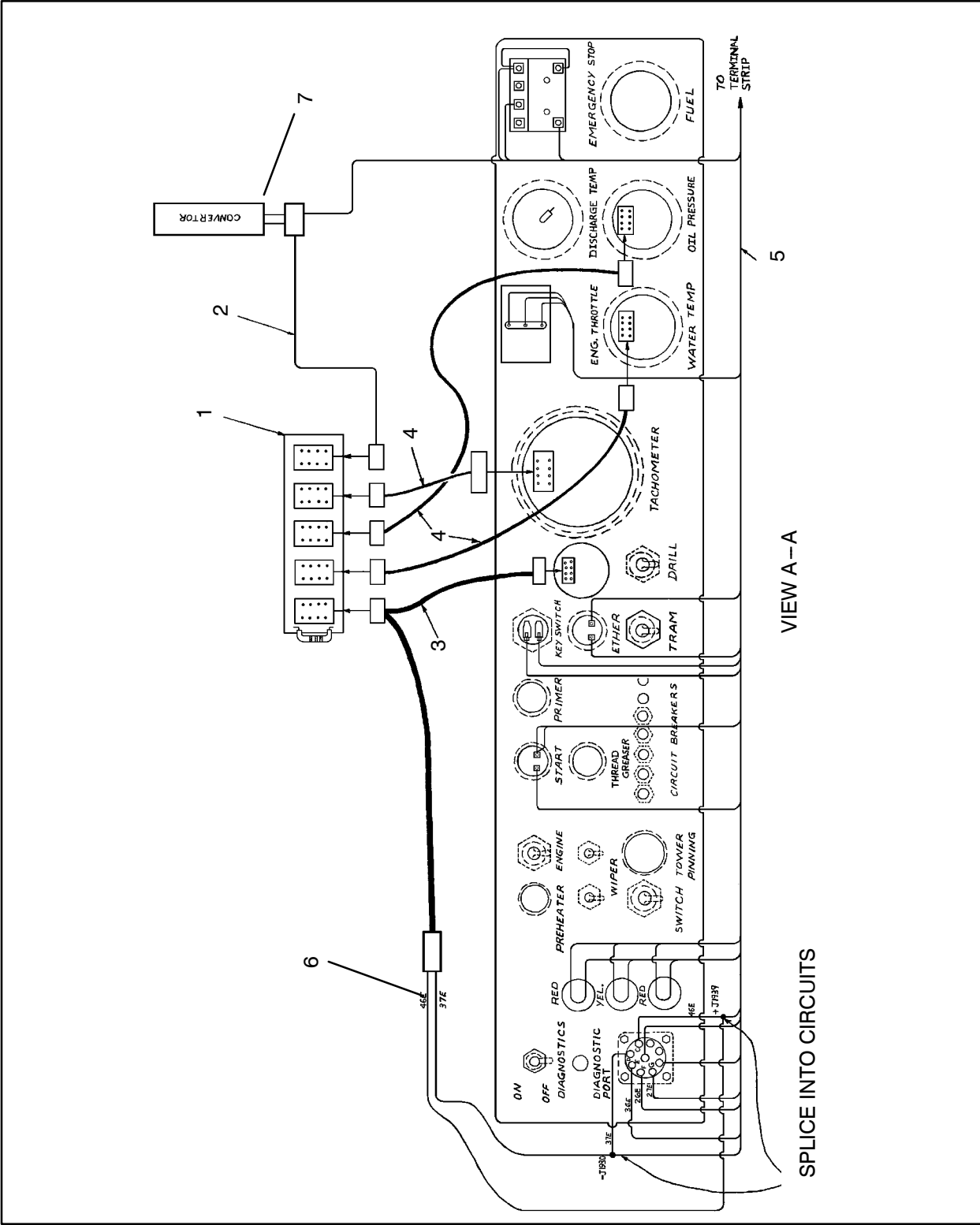


Figure 250 :WIRING DIAGRAM QSX
D57651382 REV 002

57651382 WIRING DIAGRAM QSX



WIRING DIAGRAM QSX
57651382

Figure 251 :WIRING DIAGRAM QSX
D57651382 REV 002

57651382 WIRING DIAGRAM QSX

REF.	PART NO.	QTY.	UNIT	DESCRIPTION
001	57632788	1	EA	HEADER BOARD,M-LINK
002	57640088	1	EA	HARNESS,POWER
003	57640096	1	EA	HARNESS,MDDM TO HEADER
004	57640104	3	EA	HARNESS,HEADER TO GAUGES
005	57634917	1	EA	HARNESS,ECM QSX
006	57661738	1	EA	PLUG,ELECTRIC 3-WAY
	57668063	1	EA	●- WEDGE,LOCKING
	57668071	1	EA	●- PLUG,3 CIRCUIT
	54530993	3	EA	●- SOCKET,SIZE 16
007	57662744	1	EA	REGULATOR,12V

WIRING DIAGRAM QSX

57651382

57651382 WIRING DIAGRAM QSX

WIRING DIAGRAM QSX
57651382

OPTIONS

SECTION	SECTION
OPTIONS	OPTIONS

This page is intentionally blank.

SECTION

OPTIONS

56250863 DUST COLLECTOR, 4500ELEC

DUST COLLECTOR, 4500ELEC
56250863

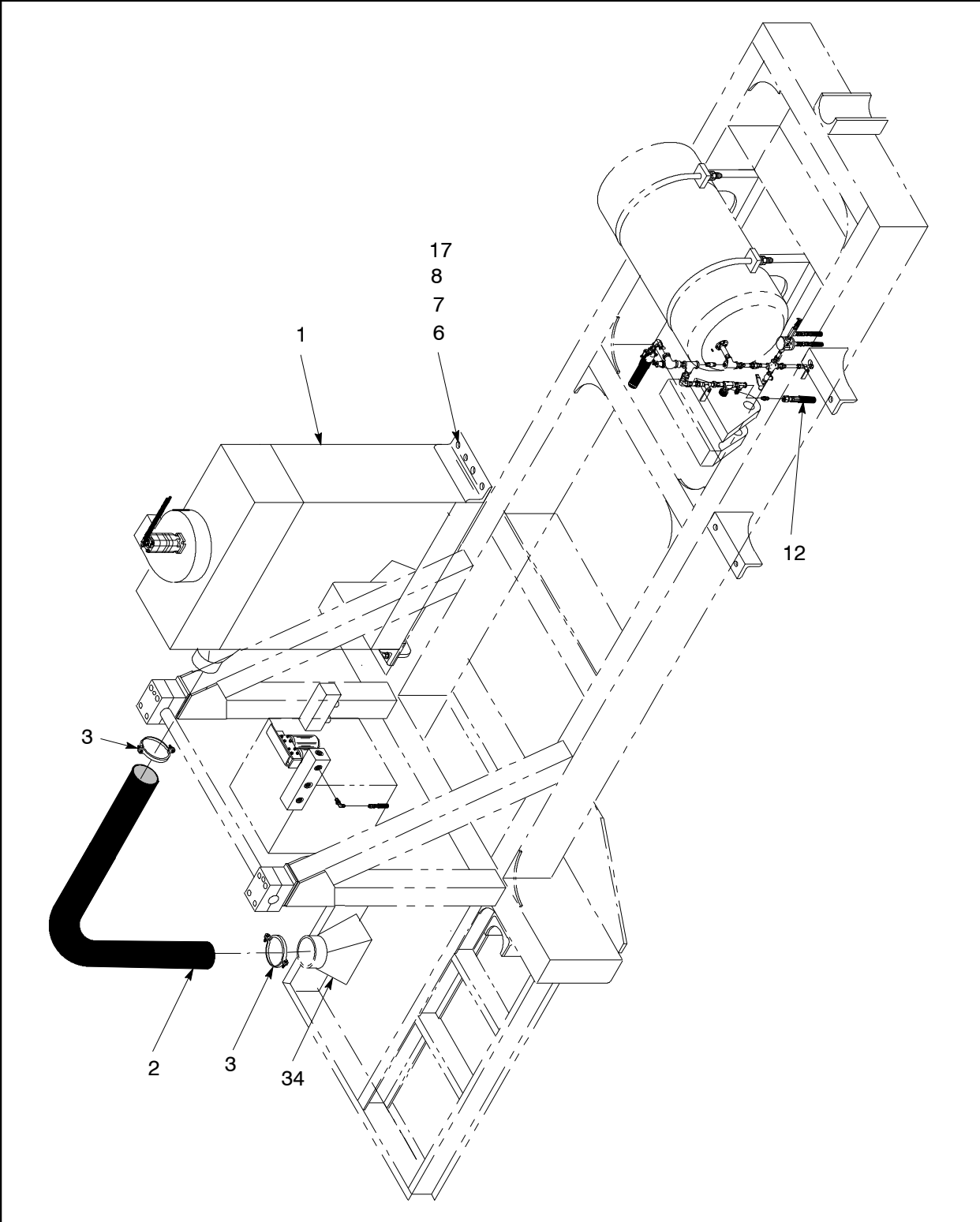
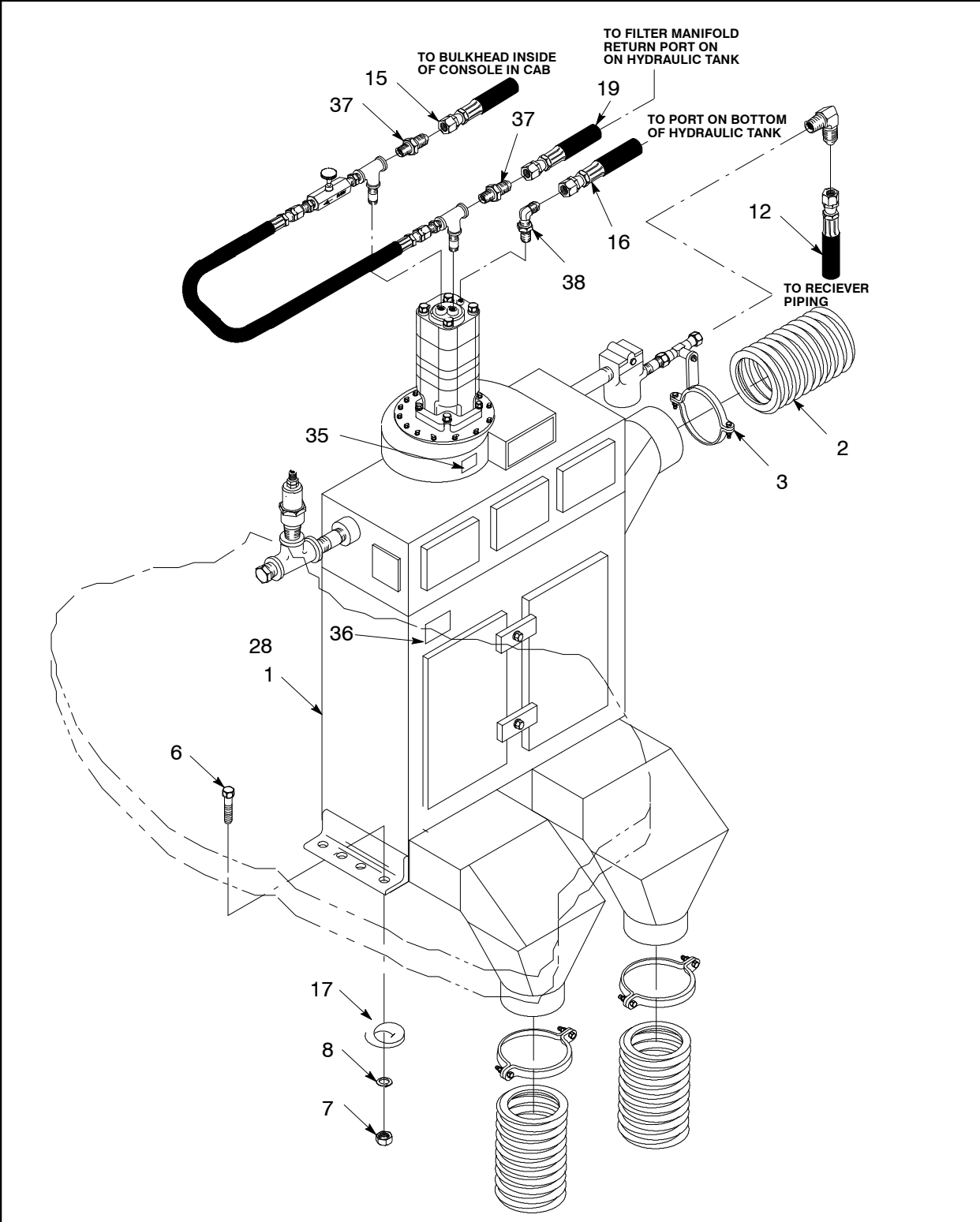


Figure 208 :DUST COLLECTOR, 4500ELEC
E56250863 REV 002

56250863 DUST COLLECTOR, 4500ELEC



DUST COLLECTOR, 4500ELEC
56250863

Figure 209 :DUST COLLECTOR, 4500ELEC
E56250863 REV 002

56250863 DUST COLLECTOR, 450OELEC

DUST COLLECTOR, 450OELEC
56250863

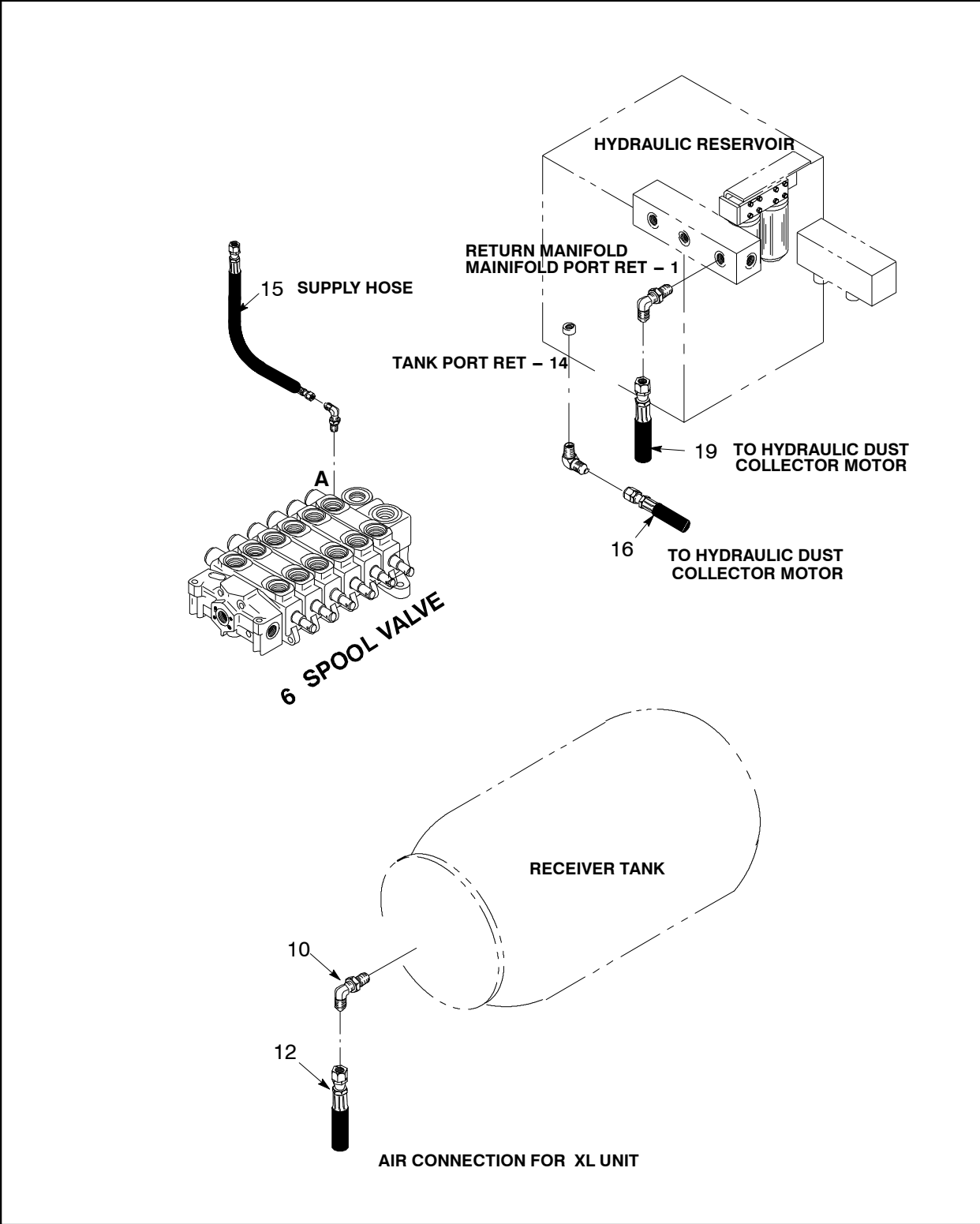


Figure 210 :DUST COLLECTOR, 450OELEC
E56250863 REV 002

56250863 DUST COLLECTOR, 4500ELEC

DUST COLLECTOR, 4500ELEC
56250863

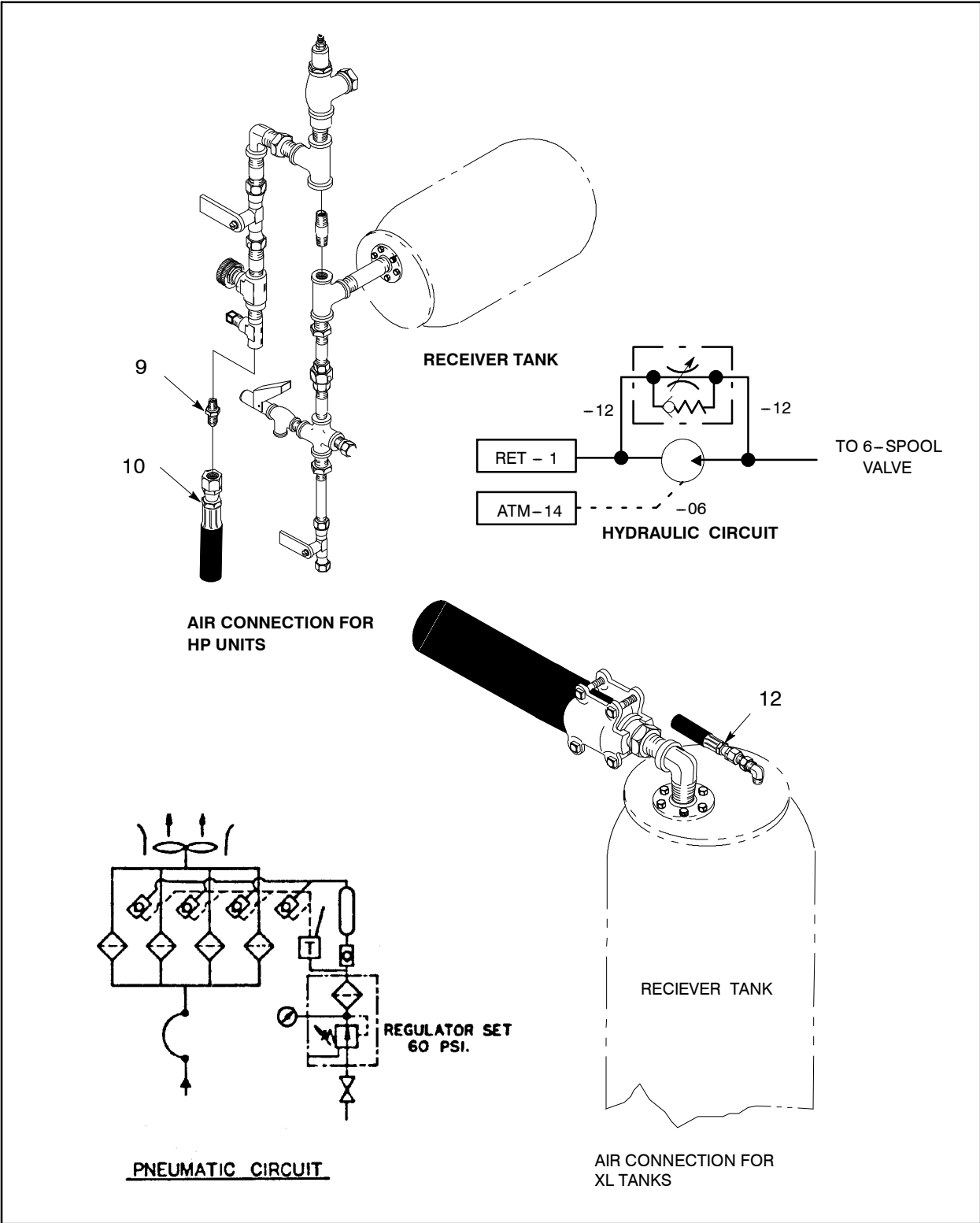


Figure 211 :DUST COLLECTOR, 4500ELEC
E56250863 REV 002

56250863 DUST COLLECTOR, 4500ELEC

DUST COLLECTOR, 4500ELEC
56250863

REF.	PART NO.	QTY.	UNIT	DESCRIPTION
001	57641441	1	EA	DUST COLLECTOR FC4500 (See figure 212)
002	57233215	1	EA	HOSE, DUST COLL-10
003	57003873	2	EA	CLAMP, HOSE
006	95103784	9	EA	SCREW, CAP-3/8-16 X1-3/8
007	95922894	9	EA	NUT, HEX-3/8-16
008	95922639	9	EA	LOCKWASHER (HD)
009	95219721	1	EA	FITTING, HYD
010	95303335	1	EA	FITTING, HYD
012	57057929	1	EA	HOSE ASSY
015	52197381	1	EA	HOSE ASSY
016	57505653	1	EA	HOSE ASSY
017	95922233	9	EA	WASHER, FLAT-3/8
019	57249096	1	EA	HOSE ASSY
028	57644775	1	EA	BRACKET INSTALLATION (See figure 217)
034	57502403	1	EA	TRANSITION-10 ,DMC-TELE
035	57335192	1	EA	DECAL, WARNING-FANBLADES
036	57335200	1	EA	DECAL, NOTICE-DUST
037	95219747	2	EA	FITTING, HYD
038	95653614	1	EA	ADAPTER-90DEG,ORING/JIC

56250863 DUST COLLECTOR, 4500ELEC

This page is intentionally blank.

DUST COLLECTOR, 4500ELEC 56250863

57641441

DUST COLLECTOR FC4500

DUST COLLECTOR, 4500ELEC
56250863

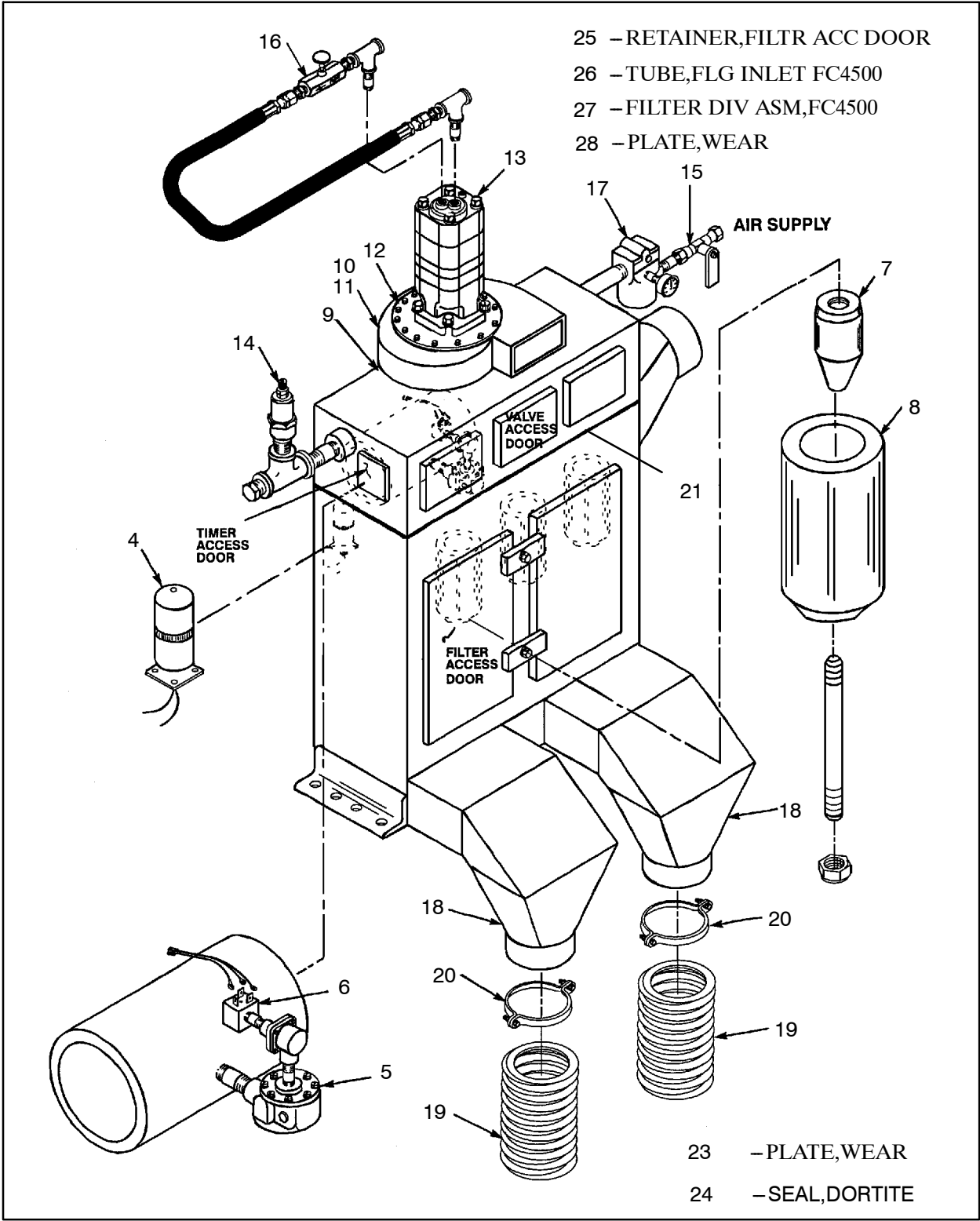


Figure 212 :DUST COLLECTOR FC4500
ILLUSTRATION REV 000

57641441 DUST COLLECTOR FC4500

REF.	PART NO.	QTY.	UNIT	DESCRIPTION
004	57284671	1	EA	TIMER, DC ELECTRIC
	57514804	1	EA	● - TIMER BOX, BARE
005	56934185	6	EA	VALVE,IMPULSE
006	57003790	6	EA	VALVE,SOLENOID
007	57063877	6	EA	ELEMENT,RETENTION
008	56958945	6	EA	ELEMENT ASSY
009	51024792	1	EA	BLOWER MOUNT
	57173254	1	EA	● - PLATE, BOTTOM MOUNT
	57173262	1	EA	● - PLATE, TOP MOUNT
	57173270	1	EA	● - PLATE, SIDE MOUNT
010	57063711	1	EA	HOUSING, BLOWER
011	57073389	1	EA	WHEEL,BLOWER
012	57284663	1	EA	BLOWER HSG
013	57003782	1	EA	MOTOR,HYDRAULIC
				(See figure 213)
014	57018673	1	EA	VALVE,SAFETY
015	40027344	1	EA	VALVE, BALL-1/4
016	57284705	1	EA	VALVE, FLOW CONTROL
017	57082455	1	EA	FILTER & REGULATOR
	57082463	1	EA	● - ELEMENT, FILTER
	57112963	1	EA	● - GAUGE,PRESSURE
018	57060154	2	EA	CHUTE,TRANSITION
019	57446437	1	EA	HOSE, DROPOUT
020	52230794	2	EA	CLAMP,HOSE
021	57641557	2	EA	DOOR,FLER ACCESS FC4500
023	54416565	1	EA	PLATE,WEAR
024	57643249	290.00	IN	SEAL,DORTITE
025	57641516	1	EA	RETAINER,FILTR ACC DOOR
026	57641565	1	EA	TUBE,FLG INLET FC4500
027	57641573	6	EA	FILTER DIV ASM,FC4500
028	57641540	1	EA	PLATE,WEAR

DUST COLLECTOR, 4500ELEC
56250863

57003782 MOTOR, HYDRAULIC

DUST COLLECTOR, 4500ELEC
56250863

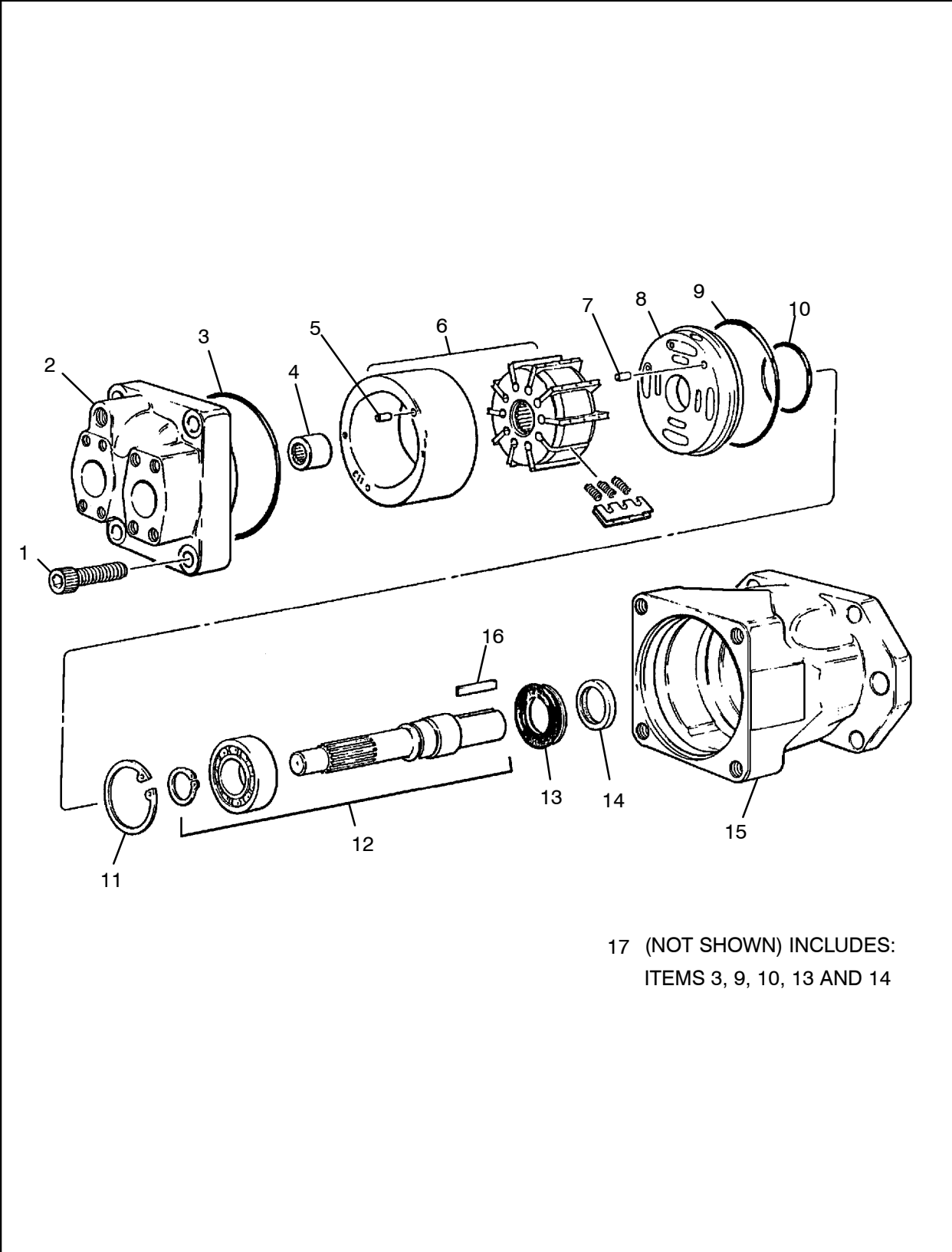


Figure 213 :MOTOR, HYDRAULIC
B57003782 REV 001

57003782 MOTOR, HYDRAULIC

REF.	PART NO.	QTY.	UNIT	DESCRIPTION
001	54426135	4	EA	SCREW, CAP SOCKET HEAD
002	50709666	1	EA	END CAP
003	50815794	1	EA	SEAL, SQ SECT
004	50815802	1	EA	BEARING, NEEDLE
005	50815810	1	EA	PIN, DOWEL
006	52233194	1	EA	CAM RING ASM <i>(See figure 214)</i>
007	50815810	1	EA	PIN, DOWEL
008	52179488	1	EA	PLATE, PORT <i>(See figure 215)</i>
009	50815851	1	EA	SEAL, SQ SECT
010	52179496	1	EA	SEAL, SECTION
011	50815901	1	EA	RING, SNAP
012	52230869	1	EA	SHAFT ASSY
	50806223	2	EA	●- RING, SNAP
	52179504	1	EA	●- BEARING, BALL
	52234887	1	EA	●- SHAFT
013	51079176	1	EA	SEAL, SHAFT
014	54426226	1	EA	WIPER, FELT
015	54426242	1	EA	BODY
016	50816339	1	EA	KEY
017	52179595	1	EA	SEAL KIT <i>(See figure 216)</i>

DUST COLLECTOR, 4500ELEC
56250863

52233194

CAM RING ASM

DUST COLLECTOR, 4500ELEC
56250863

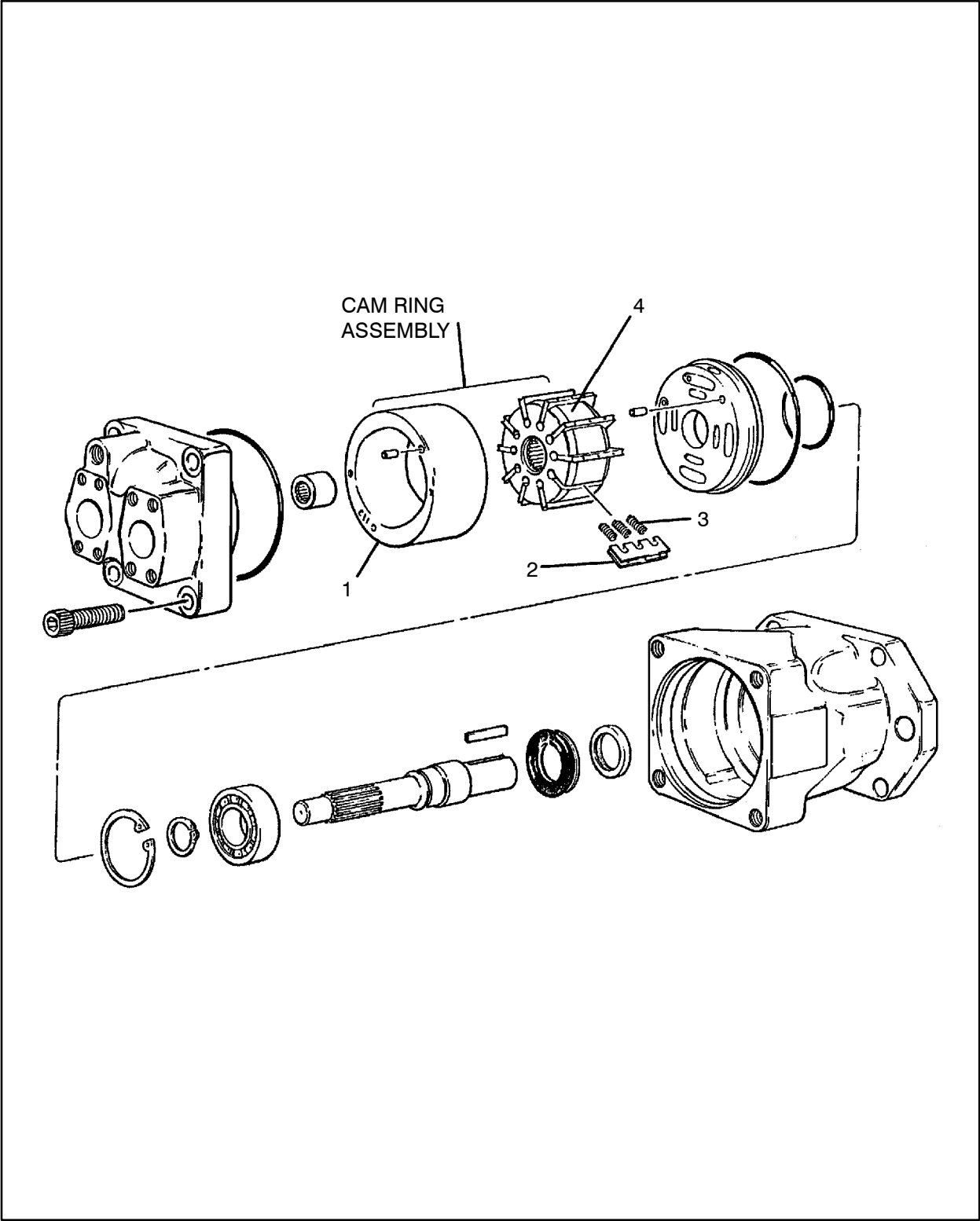


Figure 214 :CAM RING ASM
B52233194 REV 00

52233194 CAM RING ASM

REF.	PART NO.	QTY.	UNIT	DESCRIPTION
001	54465646	1	EA	RING,CAM
002	52179587	10	EA	VANE
003	52179579	30	EA	VANE SPRING
004	54426150	1	EA	ROTOR

DUST COLLECTOR, 4500ELEC
56250863

52179488

PLATE,PORT

DUST COLLECTOR, 4500ELEC
56250863

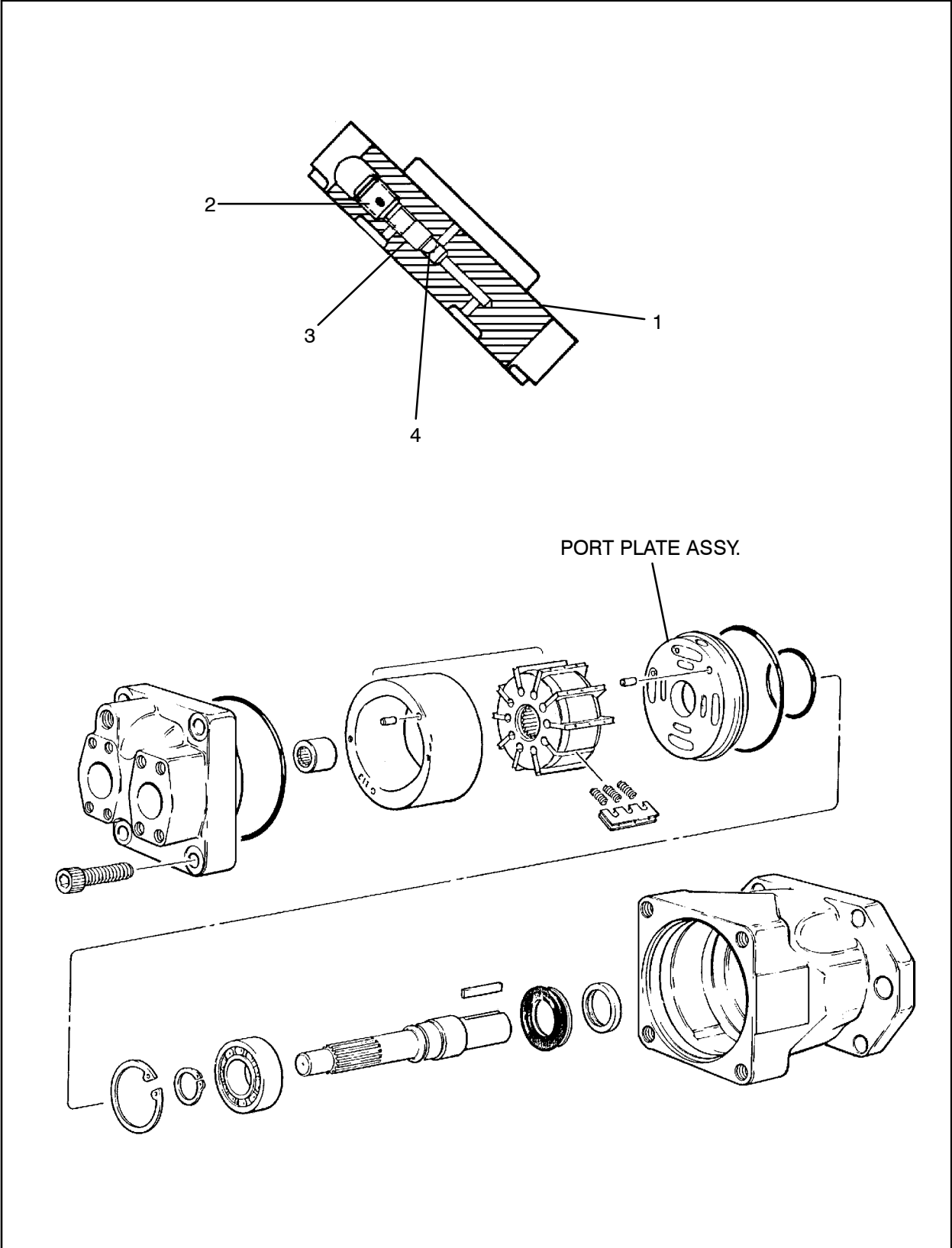


Figure 215 :PLATE,PORT
B52179488 REV 000

52179488 PLATE,PORT

REF.	PART NO.	QTY.	UNIT	DESCRIPTION
001	54426168	1	EA	PLATE,PORT
002	54426176	1	EA	SCREW,SET,SOCKET
003	54426184	1	EA	VALVE,ADAPTER
004	52155371	1	EA	BALL

DUST COLLECTOR, 4500ELEC
56250863

52179595 SEAL KIT

DUST COLLECTOR, 4500ELEC
56250863

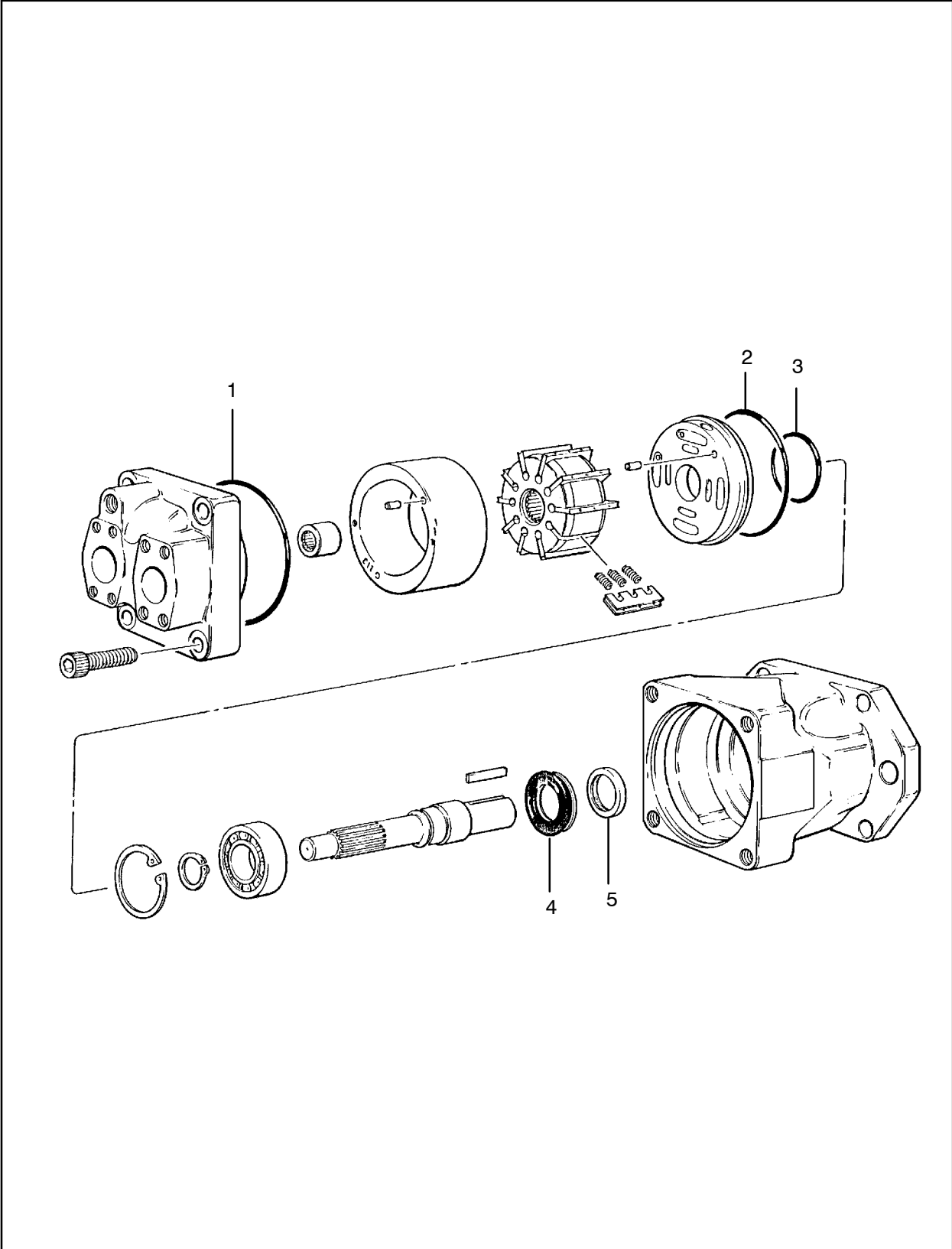


Figure 216 :SEAL KIT
B52179595 REV 000

52179595 SEAL KIT

REF.	PART NO.	QTY.	UNIT	DESCRIPTION
001	50815794	1	EA	SEAL,SQ SECT
002	50815851	1	EA	SEAL,SQ SECT
003	52179496	1	EA	SEAL, SECTION
004	51079176	1	EA	SEAL, SHAFT
005	54426226	1	EA	WIPER,FELT

DUST COLLECTOR, 4500ELEC
56250863

57644775

BRACKET INSTALLATION

DUST COLLECTOR, 4500ELEC
56250863

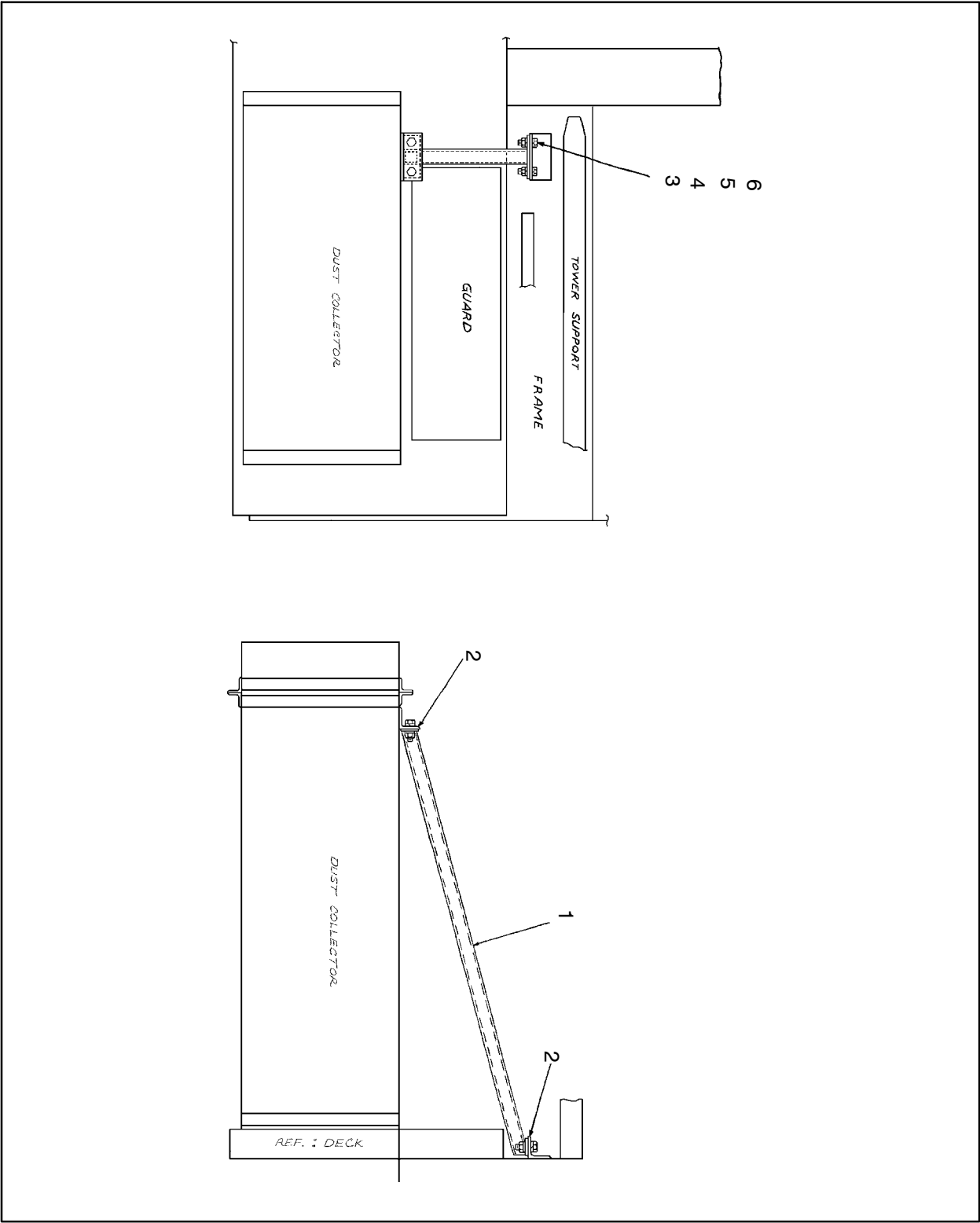


Figure 217 :BRACKET INSTALLATION
D57644775 REV 000

57644775 BRACKET INSTALLATION

REF.	PART NO.	QTY.	UNIT	DESCRIPTION
001	57644726	1	EA	BRACKET ASSEMBLY
002	57650624	2	EA	ANGLE
003	95934626	4	EA	CAPSCREW,HEX HEAD,PLATED
004	95069589	4	EA	WASHER,FLAT-7/16
005	95081865	4	EA	WASHER, LOCK-7/16
006	95077772	4	EA	NUT, HEX-7/16-14

DUST COLLECTOR, 4500ELEC
56250863

57582397 CURTAIN,DUST-ANGLE,DML

CURTAIN,DUST-ANGLE,DML
 57582397

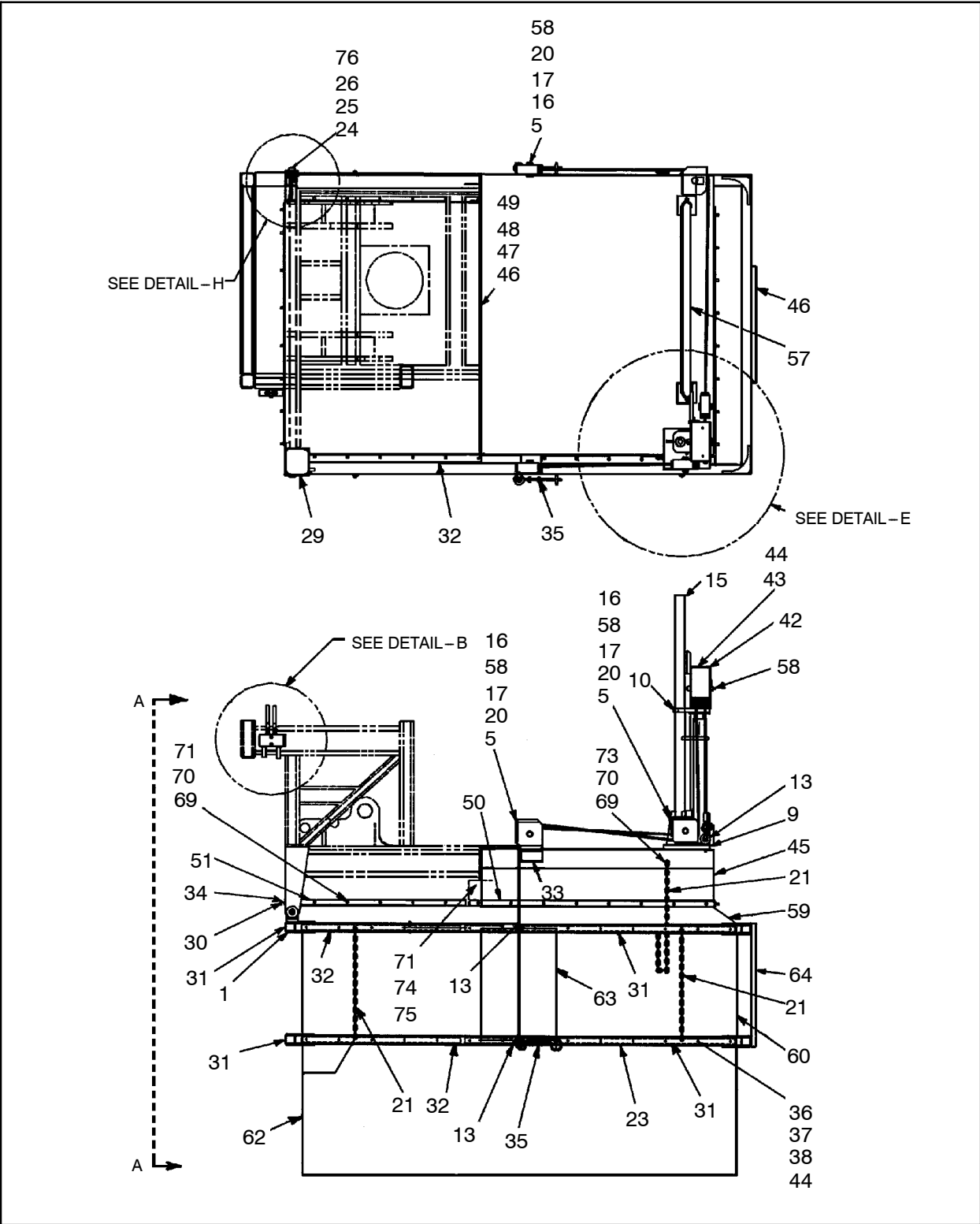
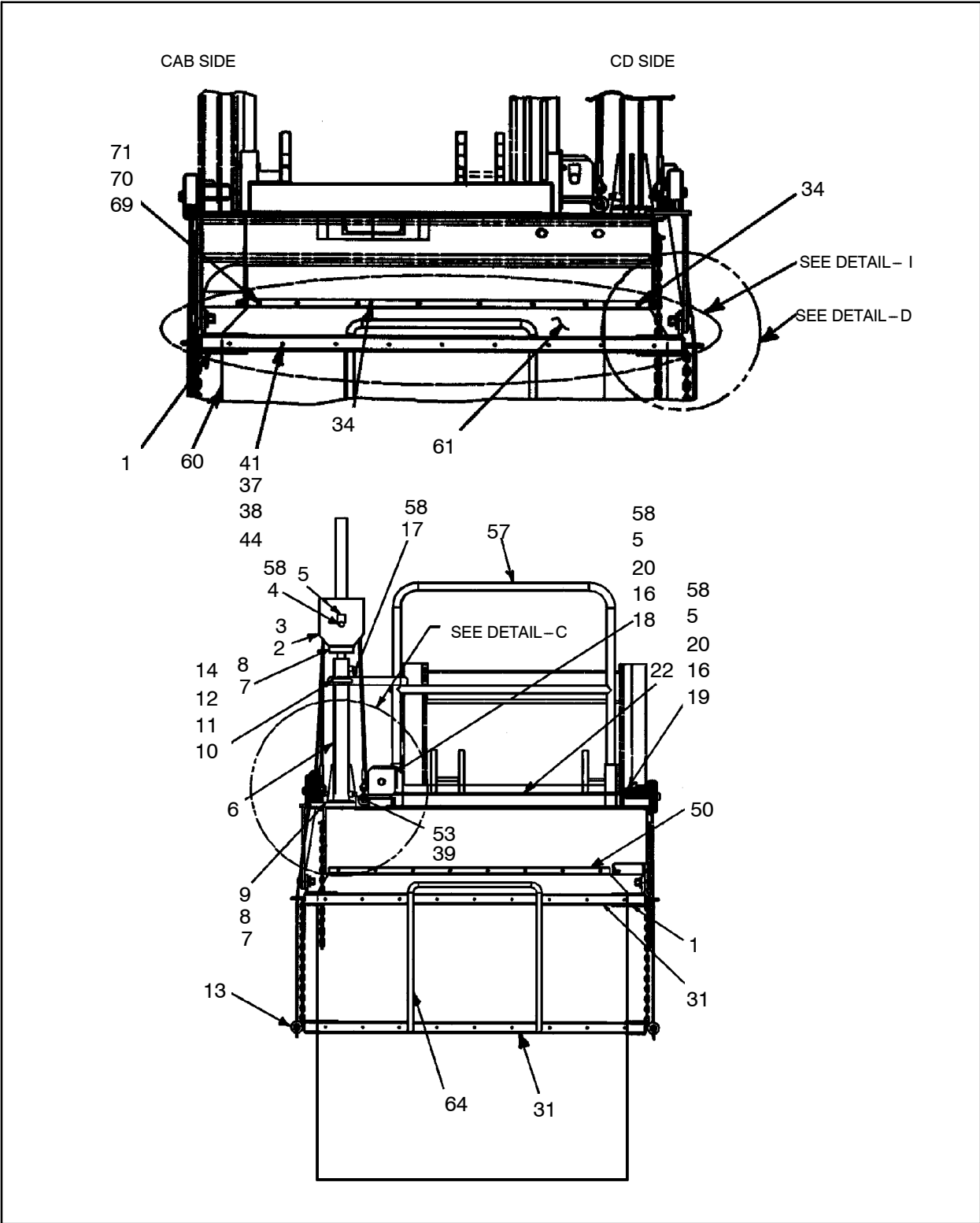


Figure 234 :CURTAIN,DUST-ANGLE,DML
 D57582397 REV 000

57582397 CURTAIN,DUST-ANGLE,DML



CURTAIN,DUST-ANGLE,DML
57582397

Figure 235 :CURTAIN,DUST-ANGLE,DML
D57582397 REV 000

57582397

CURTAIN,DUST-ANGLE,DML

CURTAIN,DUST-ANGLE,DML
57582397

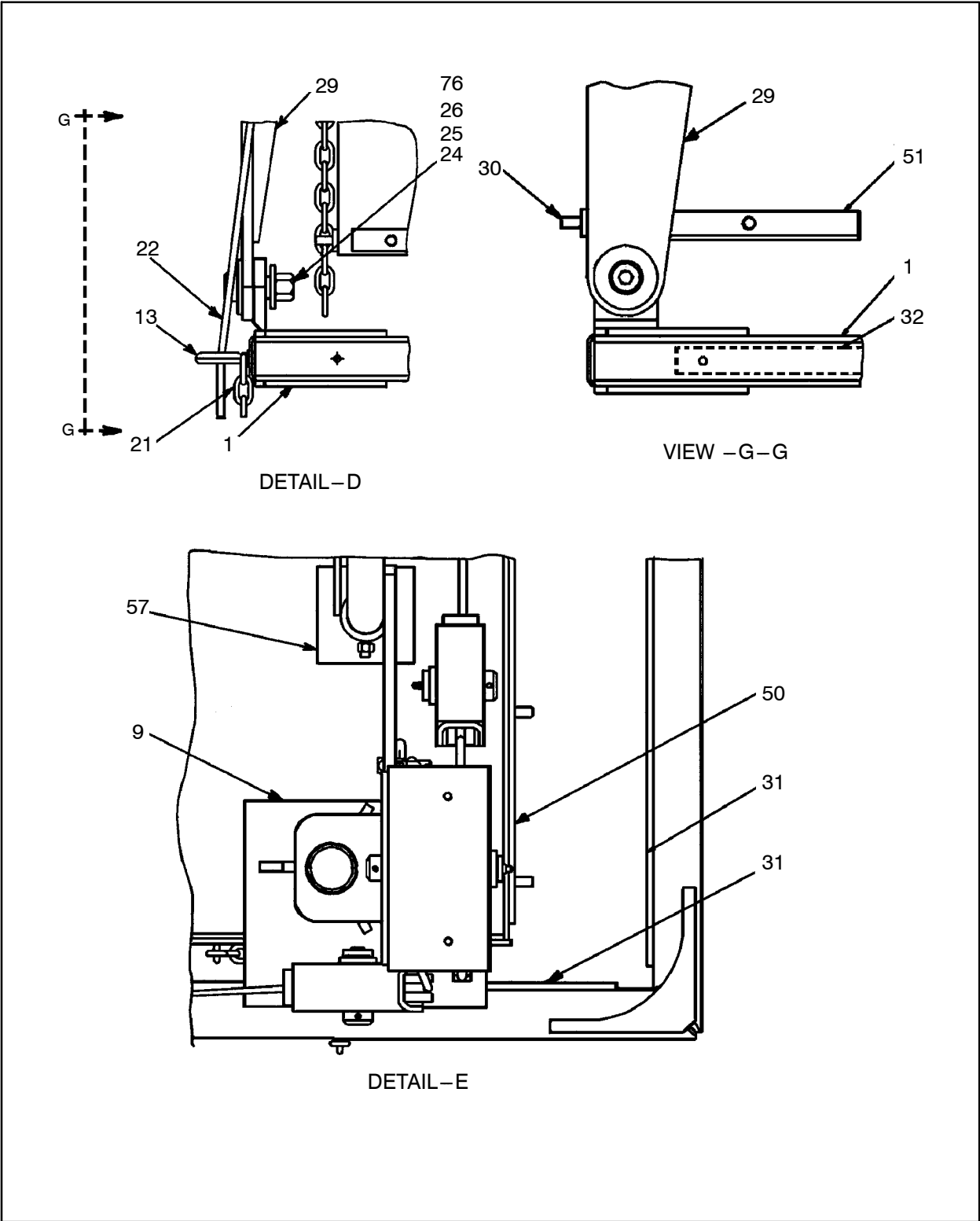
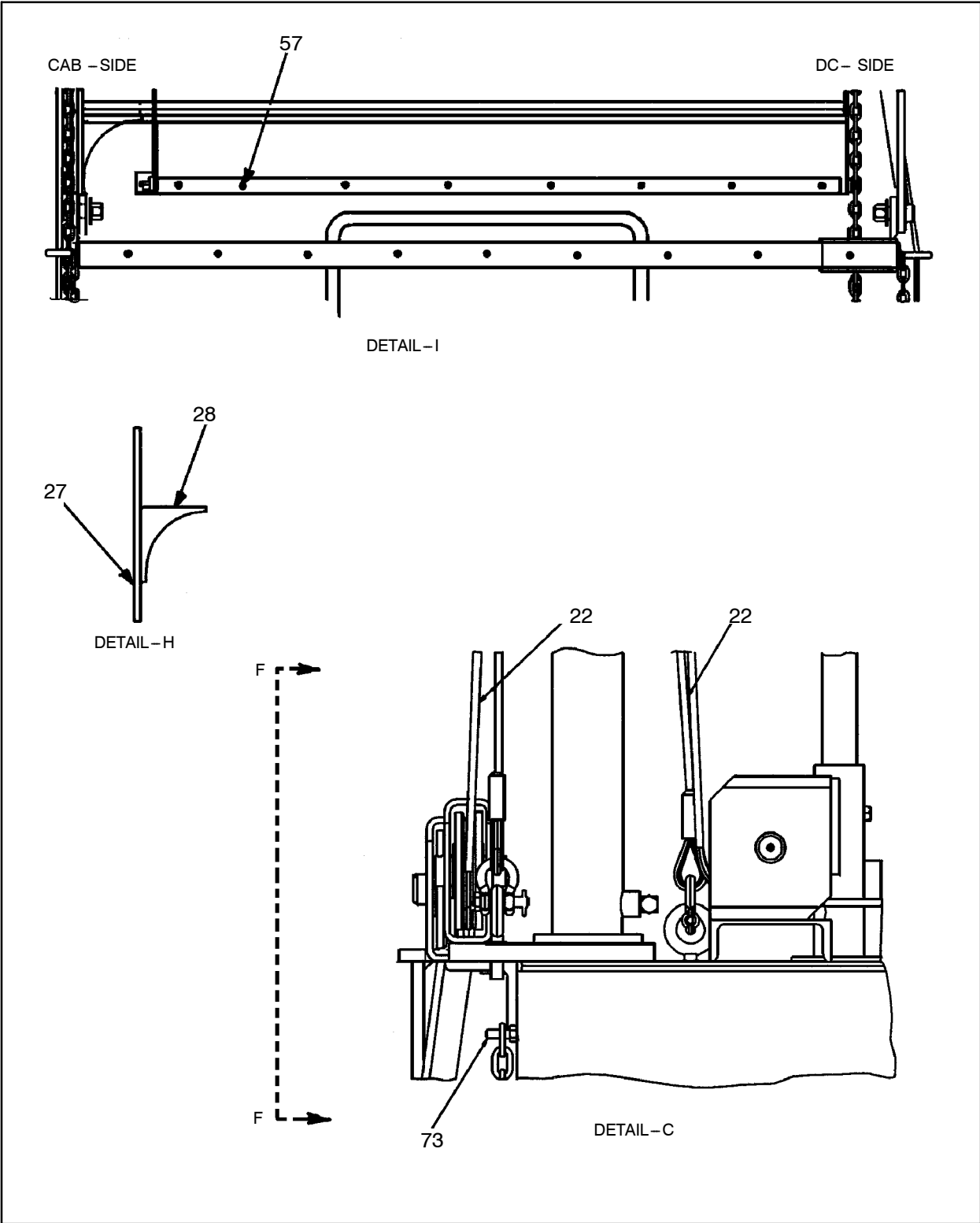


Figure 236 :CURTAIN,DUST-ANGLE,DML
D57582397 REV 000

57582397 CURTAIN,DUST-ANGLE,DML



CURTAIN,DUST-ANGLE,DML
57582397

Figure 237 :CURTAIN,DUST-ANGLE,DML
D57582397 REV 000

57582397

CURTAIN,DUST-ANGLE,DML

CURTAIN,DUST-ANGLE,DML
57582397

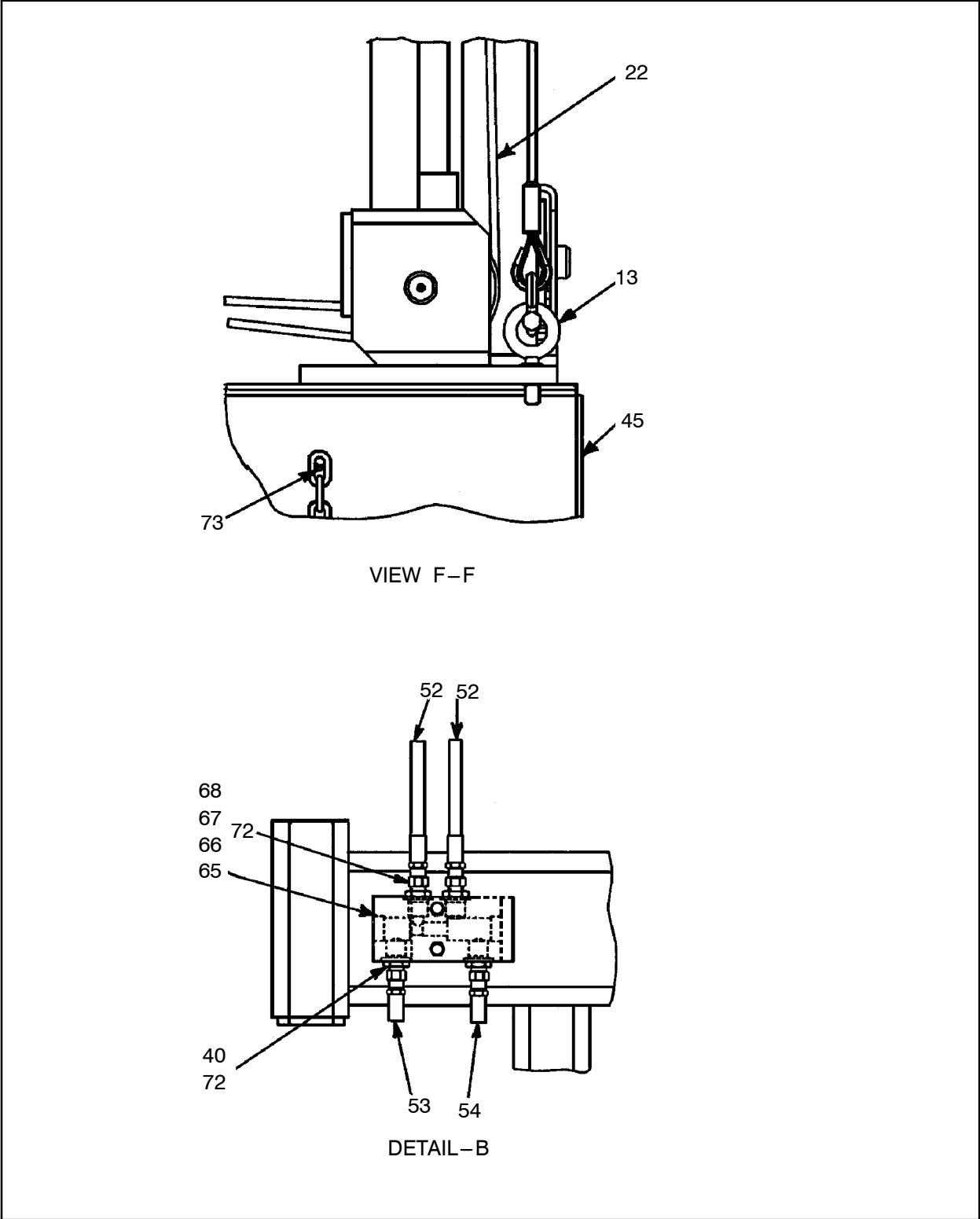


Figure 238 :CURTAIN,DUST-ANGLE,DML
D57582397 REV 000

57582397 CURTAIN,DUST-ANGLE,DML

REF.	PART NO.	QTY.	UNIT	DESCRIPTION
001	57566937	1	EA	FRAME-PIVOT,DUST CURTAIN
002	57566945	1	EA	HOUSING-SHEAVE,7.62 DIA.
003	57566929	2	EA	SHEAVE-ROLLER BEARING
004	57566952	1	EA	PIN-SHEAVE,7.62 DIA
005	57235079	6	EA	BAR,FLAT
006	54418991	1	EA	CYLINDER-HYD,DUSTCURTAIN (See figure 239)
007	95208773	8	EA	SCREW,CAP
008	95209409	8	EA	WASHER, LOCK-1/2
009	57589384	1	EA	BRACKET,CYLINDER MTG
010	95481800	1	EA	U-BOLT
011	95077798	4	EA	NUT, HEX-1/2-13
012	95081667	4	EA	WASHER, FLAT-1/2
013	95037255	8	EA	BOLT,EYE
014	57591398	1	EA	BRACKET,CYL.CLAMP
015	57566986	1	EA	GUIDE POST,CYLINDER
016	57449738	5	EA	SHEAVE,ROLLER BEARING
017	57566994	3	EA	HOUSING SHEAVE,4.88 DIA
018	57567000	1	EA	HOUSING SHEAVE VERT-4.88
019	57567018	1	EA	HOUSING SHEAVE,HORZ 4.88
020	57567026	5	EA	PIN-SHEAVE,4.88 DIA
021	50699321	192.00	IN	CHAIN, BULK-3/16 COIL
022	57594517	2	EA	CABLE ASM,DUST CURTAIN
023	57567034	1	EA	FRAME,LOWER,DUST CURTAIN
024	95991287	2	EA	BOLT,SHOULDER-SOCKET HD
025	95077608	2	EA	NUT, HEX STOP-3/4-10
026	95081642	2	EA	WASHER, FLAT-1
027	57591406	1	EA	BRACKET,FRAME,CAB SIDE
028	57591414	1	EA	GUSSET,BRKT,CAB SIDE
029	57591422	1	EA	BRACKET,FRAME D/C SIDE
030	57497794	8	EA	STUD
031	57569659	8	EA	STRAP,DUST CURTAIN,FRONT
032	57569667	4	EA	STRAP-DUST CURTAIN,SIDE
033	57591430	1	EA	ANGLE
034	57591489	1	EA	STRAP,DUST CURTAIN,REAR
035	58060179	4	EA	CLAMP, CABLE
036	95928974	74	EA	SCREW,CAP-1/4-20 X 3
037	95242368	92	EA	NUT, HEX JAM-1/4-20

CURTAIN,DUST-ANGLE,DML
57582397

57582397 CURTAIN,DUST-ANGLE,DML

CURTAIN,DUST-ANGLE,DML
57582397

REF.	PART NO.	QTY.	UNIT	DESCRIPTION
038	95922324	94	EA	WASHER, FLAT-1/4
039	95329975	2	EA	FITTING, HYD
040	57291049	1	EA	RESTRICTOR, JIC/JIC .062
041	95104030	18	EA	SCREW, CAP-1/4-20 X 1/2
042	57569683	1	EA	GUARD-SHEAVE HOUSING
043	95934774	2	EA	SCREW,CAP-1/4-20 X 1/2
044	95934766	94	EA	WASHER, LOCK-1/4 PLATED
045	57582413	1	EA	PLATFORM,DUST CURTAIN
046	95104857	6	EA	SCREW,CAP
047	95081659	6	EA	WASHER,FLAT-7/8
048	95043162	6	EA	WASHER, LOCK-7/8
049	95210480	6	EA	NUT, HEX-7/8-9
050	57555617	3	EA	STRAP, DUST CURTAIN
051	57582405	2	EA	STRAP,DUST CURTAIN
052	57038424	2	EA	HOSE ASSY
053	58154345	1	EA	HOSE ASSY
054	56971559	1	EA	HOSE ASSY
057	57424400	1	EA	HANDRAIL ASSY-40 CNTDIST
058	95201547	6	EA	FITTING,LUBE
059	57591497	1	EA	CURTAIN,DUST-PIVOT,ANG
060	57572687	1	EA	CURTAIN,DUST-MIDDLE
061	57591505	1	EA	CURTAIN,DUST-REAR,ANG
062	57589277	1	EA	CURTAIN,DUST-LOWER,DML
063	57572711	2	EA	CURTAIN,DUST-SIDE
064	57577074	1	EA	BAR SUPPORT,CURT FRAME
065	50462944	1	EA	VALVE,CHECK-DBL PILOTOP
066	57054991	1	EA	BAR, TAPPED
067	95943668	2	EA	SCREW, CAP-5/16-18X1-3/4
068	95934303	2	EA	WASHER, LOCK-5/16 PLATED
069	95922894	46	EA	NUT, HEX-3/8-16
070	95922373	46	EA	WASHER, FLAT-3/8
071	95937413	48	EA	WASHER, LOCK-3/8 PLATED
072	95356903	4	EA	FITTING, HYD
073	95920674	2	EA	SCREW, CAP-3/8-16 X 1
074	95920682	4	EA	SCREW, CAP-3/8-16 X1-1/4
075	95923223	4	EA	NUT,ELASTIC LOCK-3/8-16
076	95069571	2	EA	WASHER, FLAT-3/4

57582397 CURTAIN,DUST-ANGLE,DML

This page is intentionally blank.

CURTAIN,DUST-ANGLE,DML 57582397

54418991 CYLINDER – HYD,DUSTCURTAIN

CURTAIN,DUST – ANGLE,DML
57582397

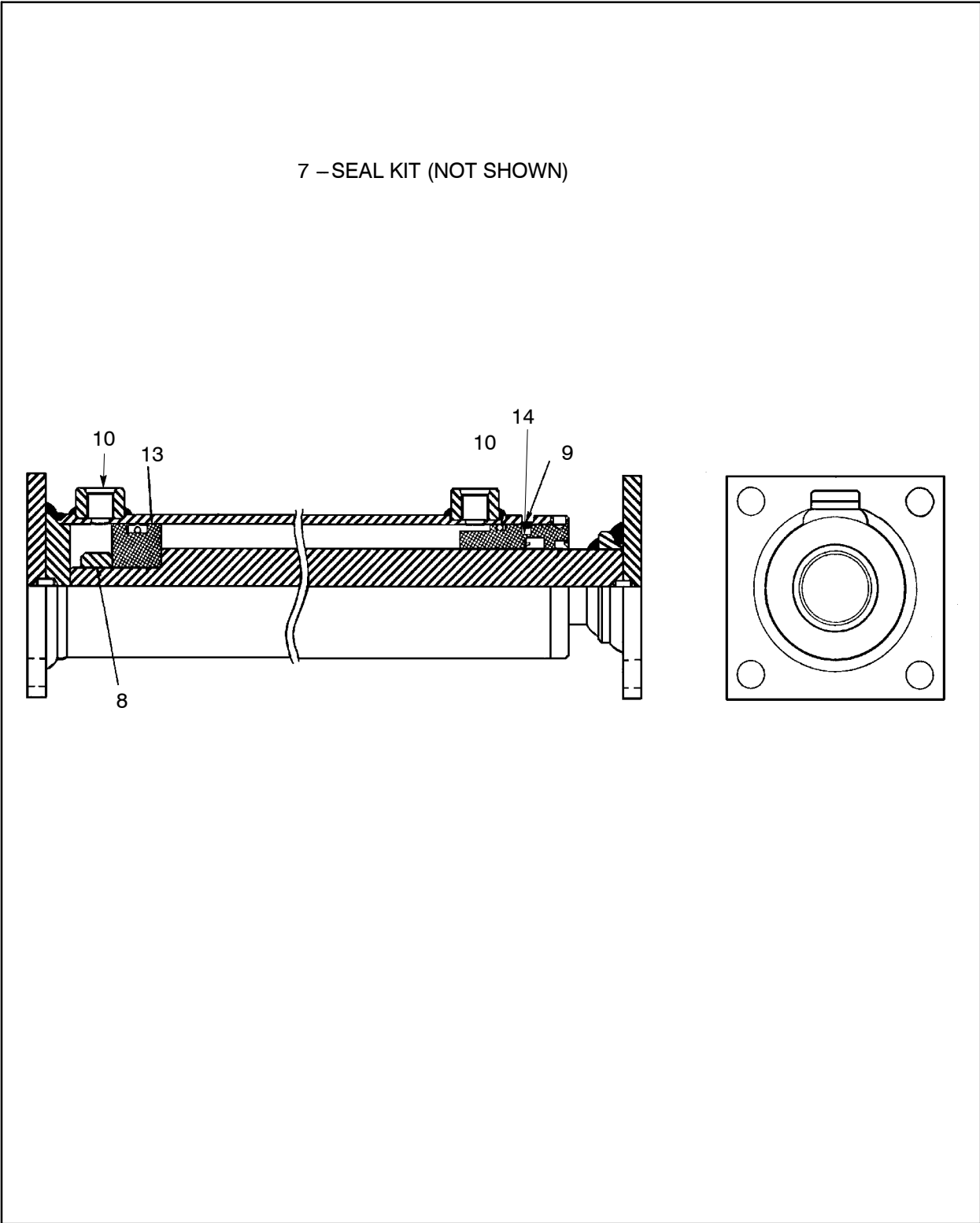


Figure 239 :CYLINDER – HYD,DUSTCURTAIN
C54418991 REV 000

54418991 CYLINDER – HYD,DUSTCURTAIN

REF.	PART NO.	QTY.	UNIT	DESCRIPTION
007	54454087	1	EA	KIT,SEAL – HYD,CYL
008	57220295	1	EA	LOCKNUT
009	57068215	1	EA	RING, RETAINING
010	57396426	2	EA	PORT PLUG
013	57060378	1	EA	PISTON
014	57060394	1	EA	HEAD,CYL

(See figure 240)

CURTAIN,DUST – ANGLE,DML
57582397

54454087 KIT,SEAL – HYD,CYL

CURTAIN,DUST – ANGLE,DML
57582397

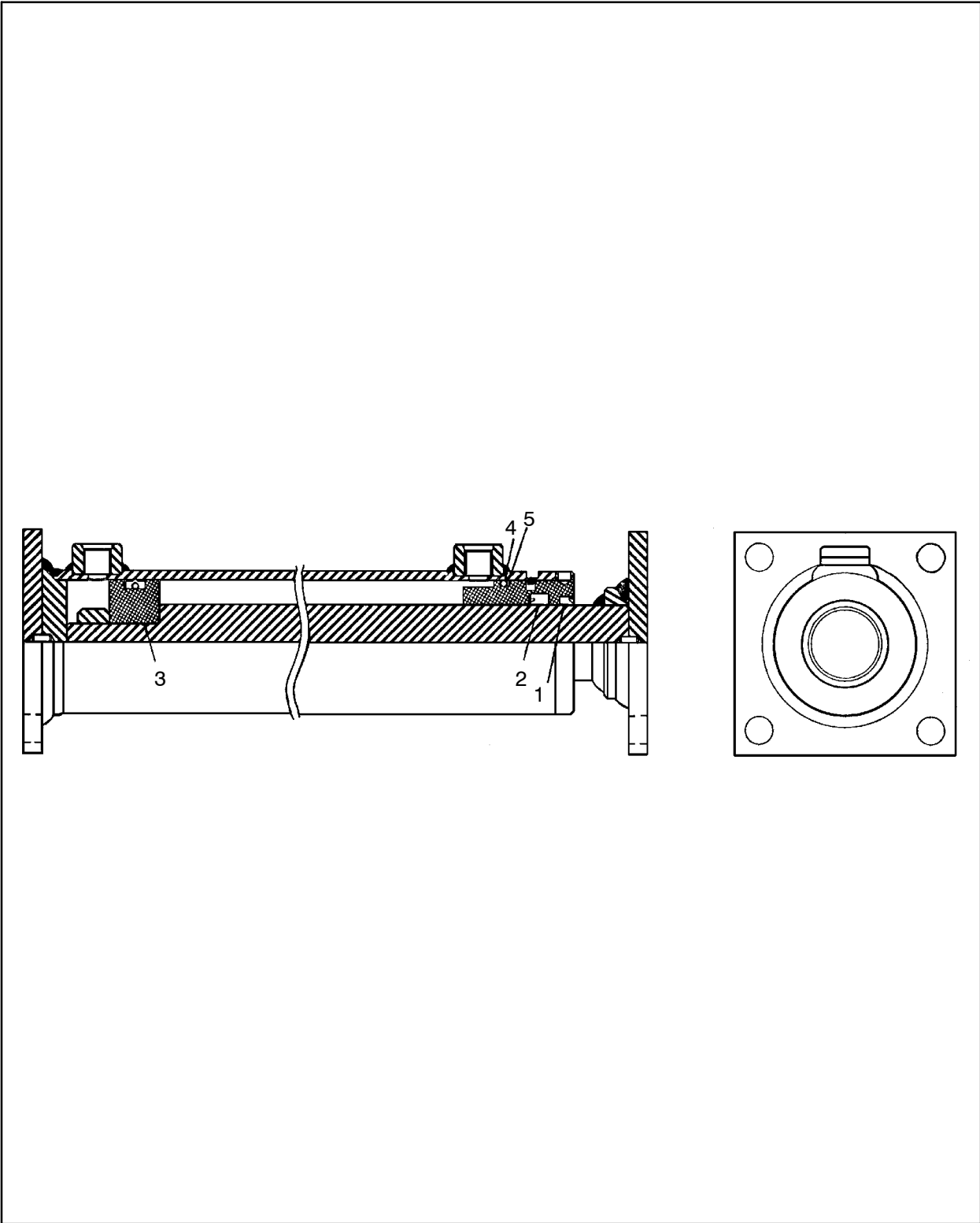


Figure 240 :KIT,SEAL – HYD,CYL
C54418991 REV 000

54454087 KIT,SEAL-HYD,CYL

REF.	PART NO.	QTY.	UNIT	DESCRIPTION
001	59322677	1	EA	WIPER
002	59752055	1	EA	SEAL
003	57220360	1	EA	O-RING
004	57220345	1	EA	O-RING
005	57220337	1	EA	SEAL,BACKUP

CURTAIN,DUST-ANGLE,DML
57582397

56245152 INDICATOR, JACK UP

INDICATOR, JACK UP
56245152

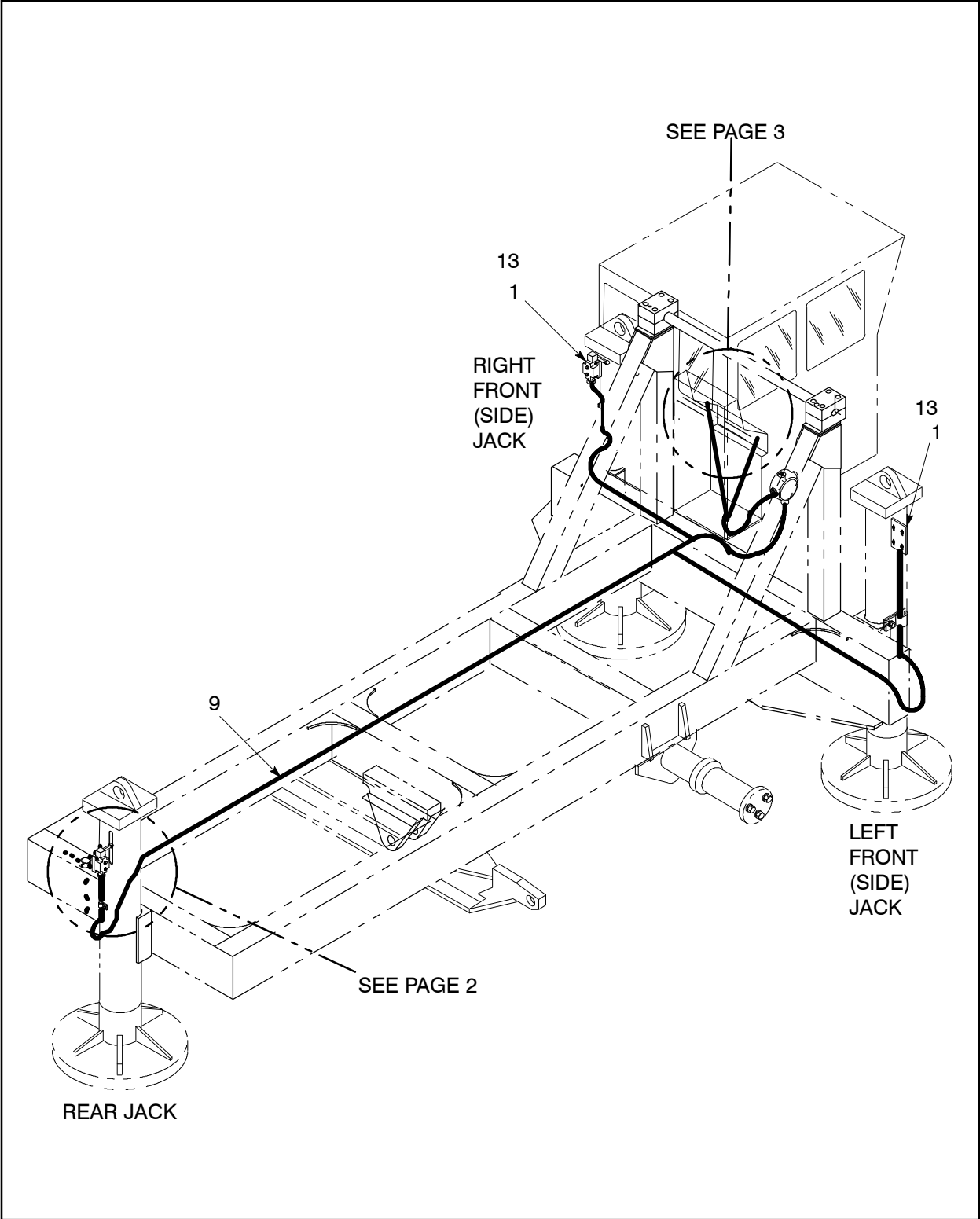
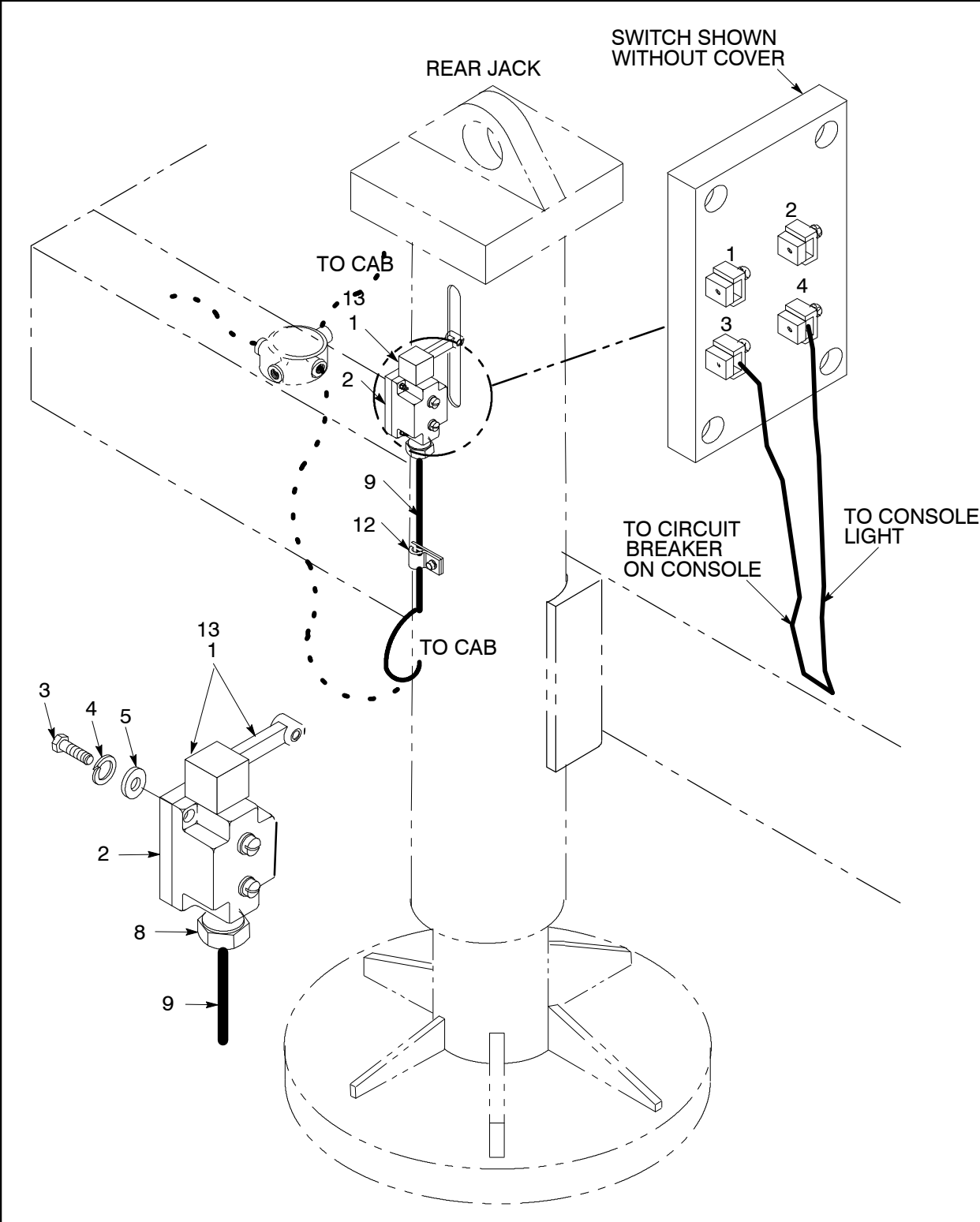


Figure 253 :INDICATOR, JACK UP
D57295859 REV05

56245152 INDICATOR, JACK UP



INDICATOR, JACK UP

56245152

Figure 254 :INDICATOR, JACK UP
D57295859 REV05

56245152 INDICATOR, JACK UP

INDICATOR, JACK UP
56245152

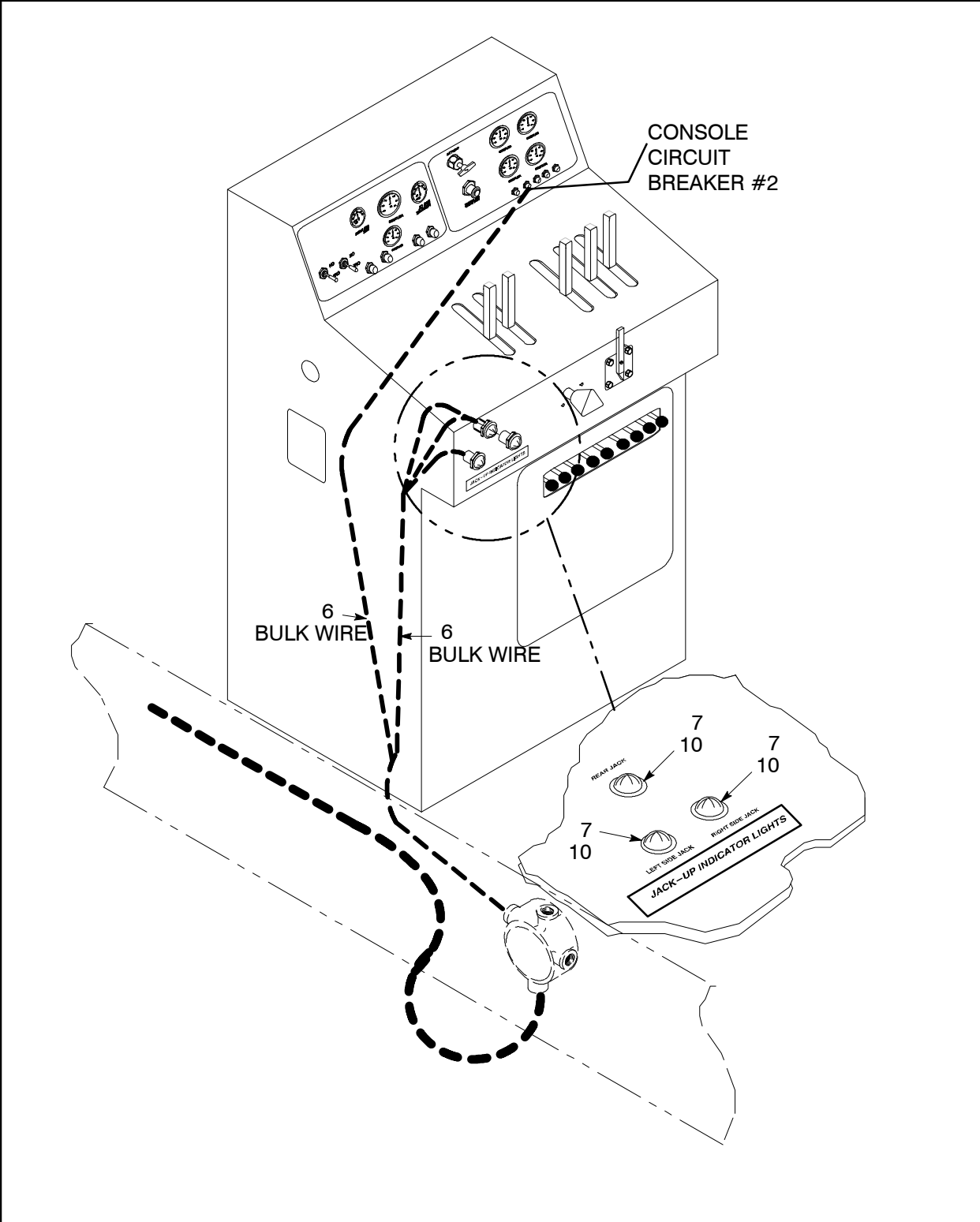
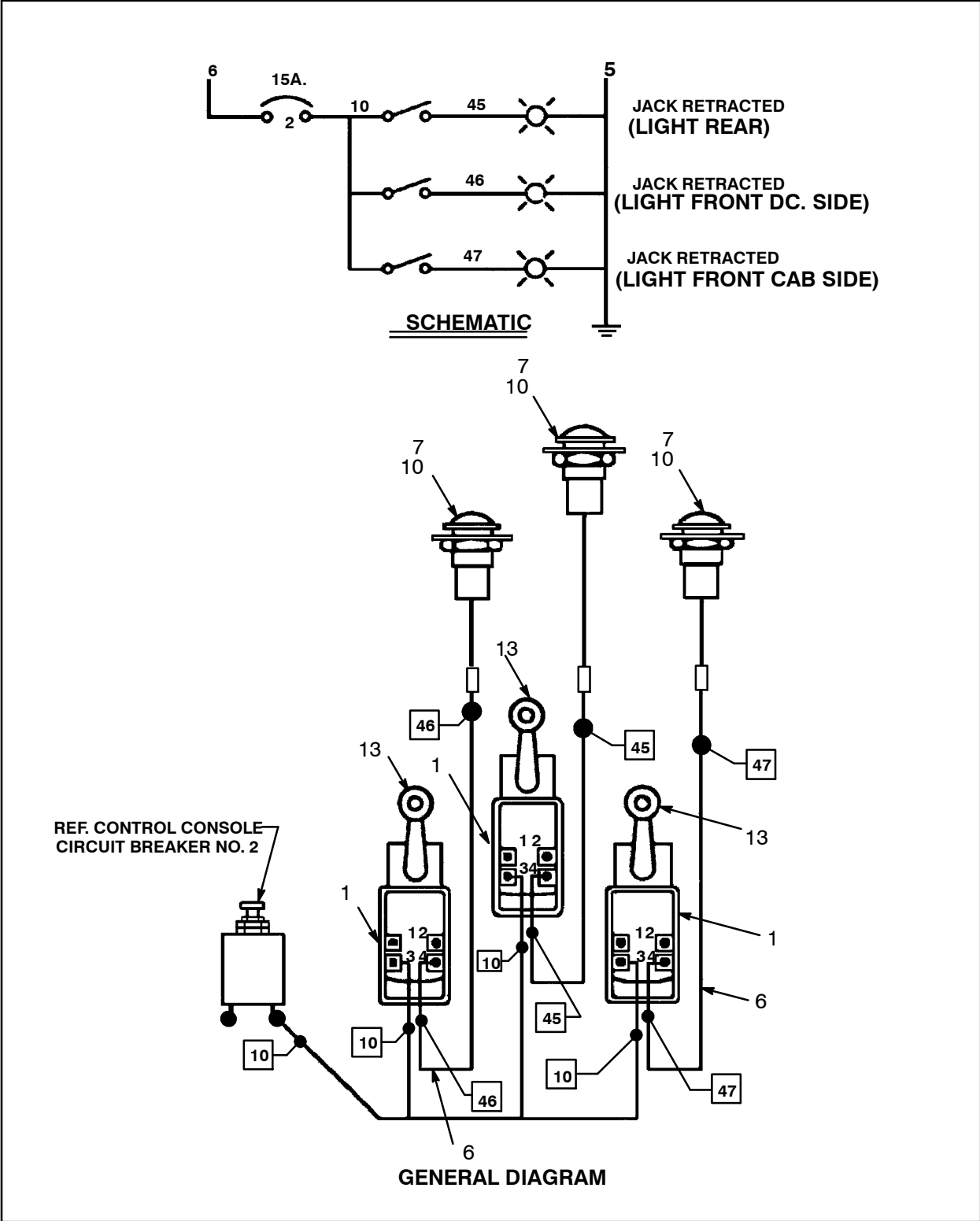


Figure 255 :INDICATOR, JACK UP
D57295859 REV05

56245152 INDICATOR, JACK UP



INDICATOR, JACK UP
56245152

Figure 256 :INDICATOR, JACK UP
D57295859 REV05

56245152 INDICATOR, JACK UP

INDICATOR, JACK UP
 56245152

REF.	PART NO.	QTY.	UNIT	DESCRIPTION
001	52192556	3	EA	SWITCH, LIMIT
002	52243789	3	EA	PLATE, MTG
003	95928982	12	EA	SCREW, CAP-1/4-20 X 3/4
004	95096350	12	EA	WASHER, LOCK-1/4
005	95922183	12	EA	WASHER, FLAT-1/4
006	50623065	1000.00	IN	WIRE, 14AWG-VIOLET
007	57266181	3	EA	LIGHT, INDICATOR
008	95245221	4	EA	CONNECTOR, STRAIGHT-1/2"
009	95333209	20.00	FT	CONDUIT, FLEX-1/2"
010	56275431	3	EA	LAMP,LED, GREEN, 24V
012	52236783	3	EA	CLAMP ASSY, 1/2"
	52240439	1	EA	●- PLATE,TAPPED
	95256723	1	EA	●- CLAMP-1/2"
	95934766	1	EA	●- WASHER, LOCK-1/4 PLATED
	95865937	1	EA	●- SCREW, CAP-1/4-20X1/2ZINC
013	52192564	3	EA	LEVER, OPERATING

56245152 INDICATOR, JACK UP

This page is intentionally blank.

INDICATOR, JACK UP
56245152

57651374 BATTERY INSTL,W/JUMP STR

BATTERY INSTL,W/JUMP STR
57651374

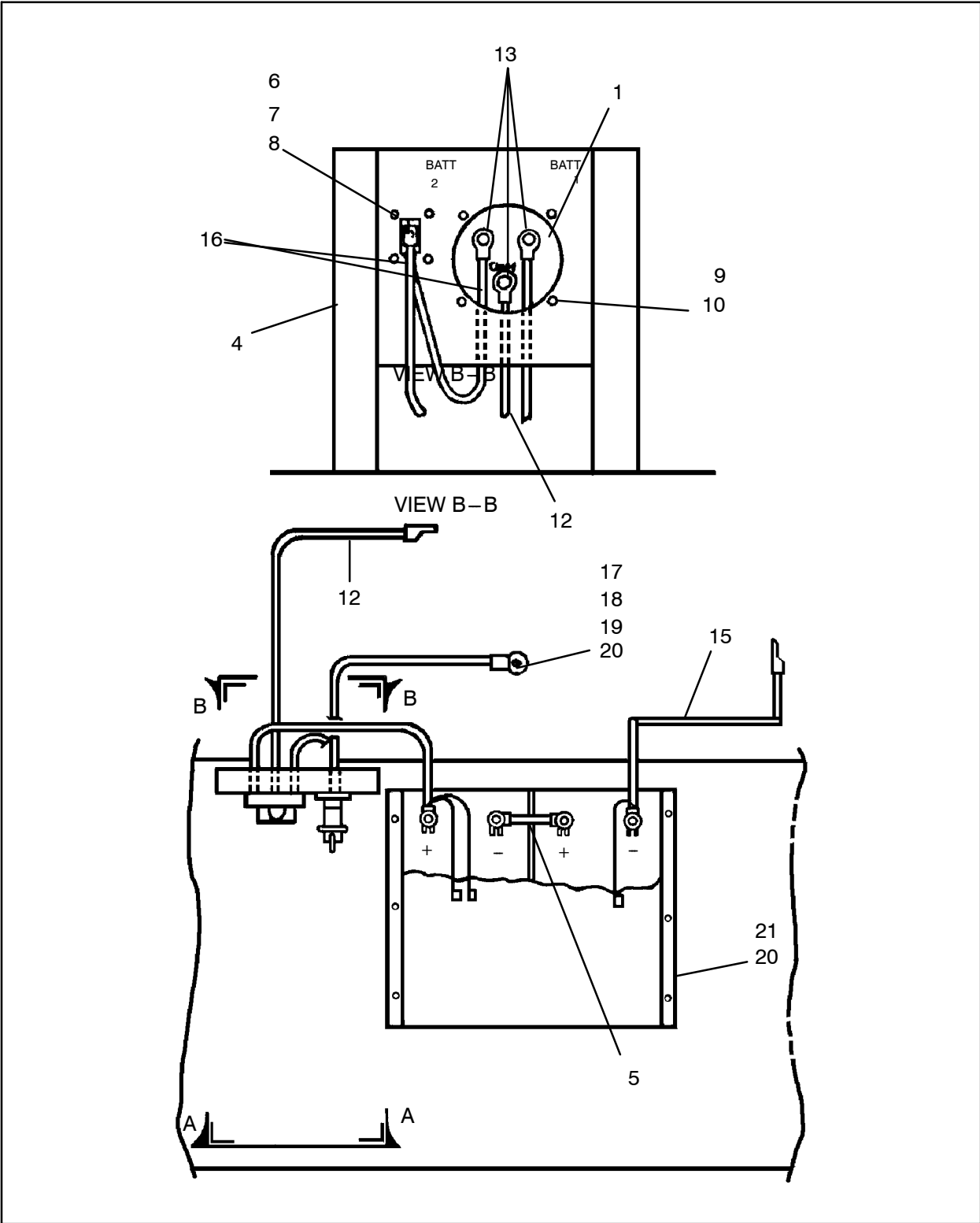
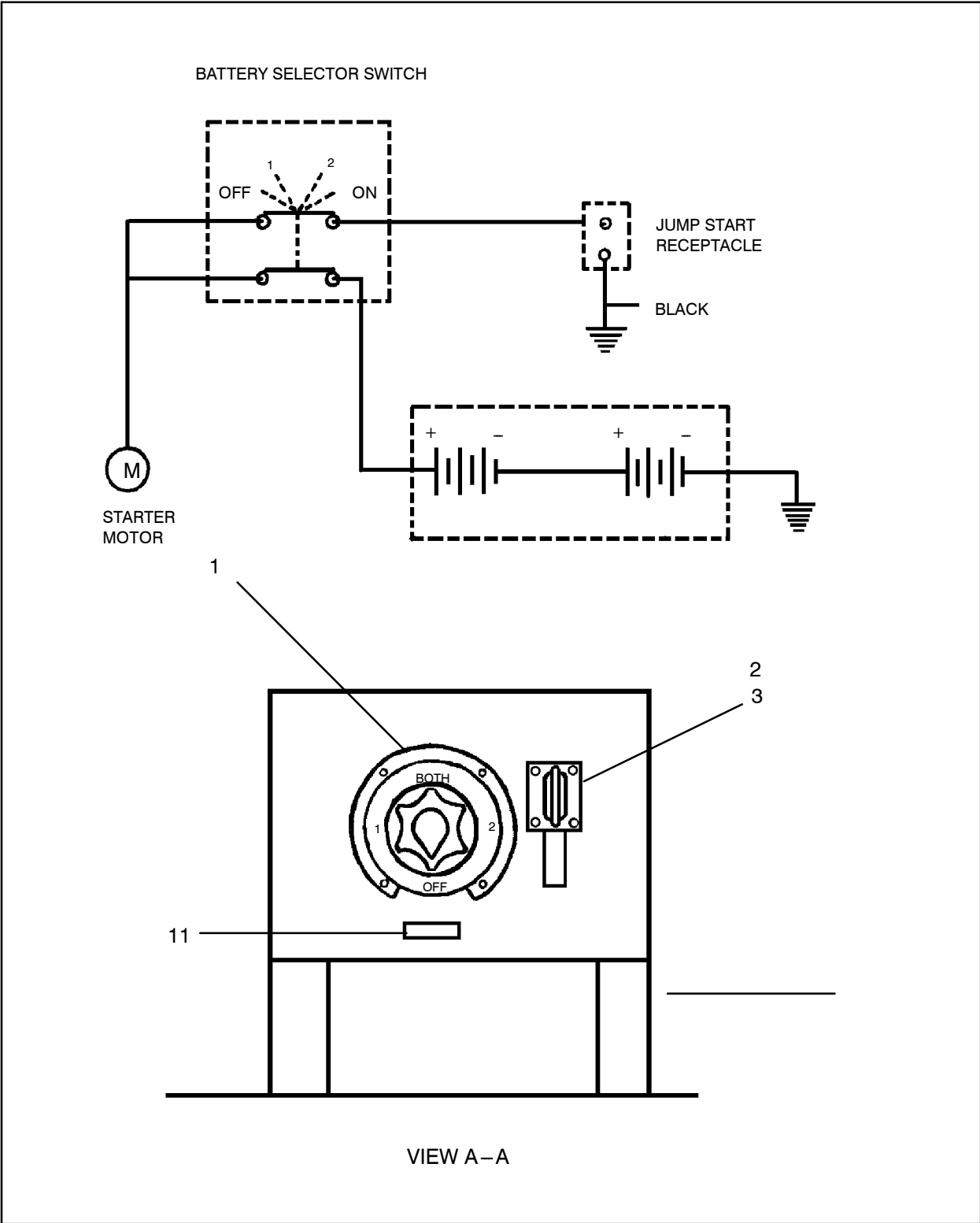


Figure 229 :BATTERY INSTL,W/JUMP STR
D57651374 REV 000

57651374 BATTERY INSTL,W/JUMP STR



BATTERY INSTL,W/JUMP STR
57651374

Figure 230 :BATTERY INSTL,W/JUMP STR
D57651374 REV 000

57651374 BATTERY INSTL,W/JUMP STR

BATTERY INSTL,W/JUMP STR
57651374

REF.	PART NO.	QTY.	UNIT	DESCRIPTION
001	57236705	1	EA	SWITCH, BATTERY SELECTOR
002	57007411	1	EA	RECEPTACLE, BATTERY CONN
003	57007429	1	EA	COVER, RECPT - BATTERY CONN
004	57379992	1	EA	BRACKET, BATT.SELECTSWTC
005	30441570	1	EA	CABLE, BATTERY
006	95920682	4	EA	CAPSCREW, HEX HEAD
007	95937413	4	EA	WASHER, LOCK, HELICAL
008	95922894	4	EA	NUT, HEX, FINISHED
009	95412623	4	EA	SCREW
010	95098208	4	EA	NUT, MACHINE - HEX N0.5 - 40
011	57379166	1	EA	NAMEPLATE, ISOLATIONSWTCH
012	57640880	1	EA	CABLE, BATTERY, POSITIVE
013	57011611	3	EA	LUG, BATTERY
015	57474686	1	EA	CABLE ASSY, NEG - 2/0AWG, 80
016	58159088	1	EA	INSULATOR, HEAT SHRINK.
017	95934469	1	EA	CAPSCREW, HEX HEAD
018	95209409	1	EA	WASHER, LOCK - 1/2
019	95081667	1	EA	WASHER, FLAT, WIDE
020	58231887	1	EA	BOX, BATTERY
	57143505	1	EA	● - COVER, BATTERY
021	57113177	2	EA	BATTERY, 12V - 8DW/ELECTROL

57651374 BATTERY INSTL,W/JUMP STR

This page is intentionally blank.

BATTERY INSTL,W/JUMP STR **57651374**

57244386 LUBE, FRAME & TRACK

LUBE, FRAME & TRACK
57244386

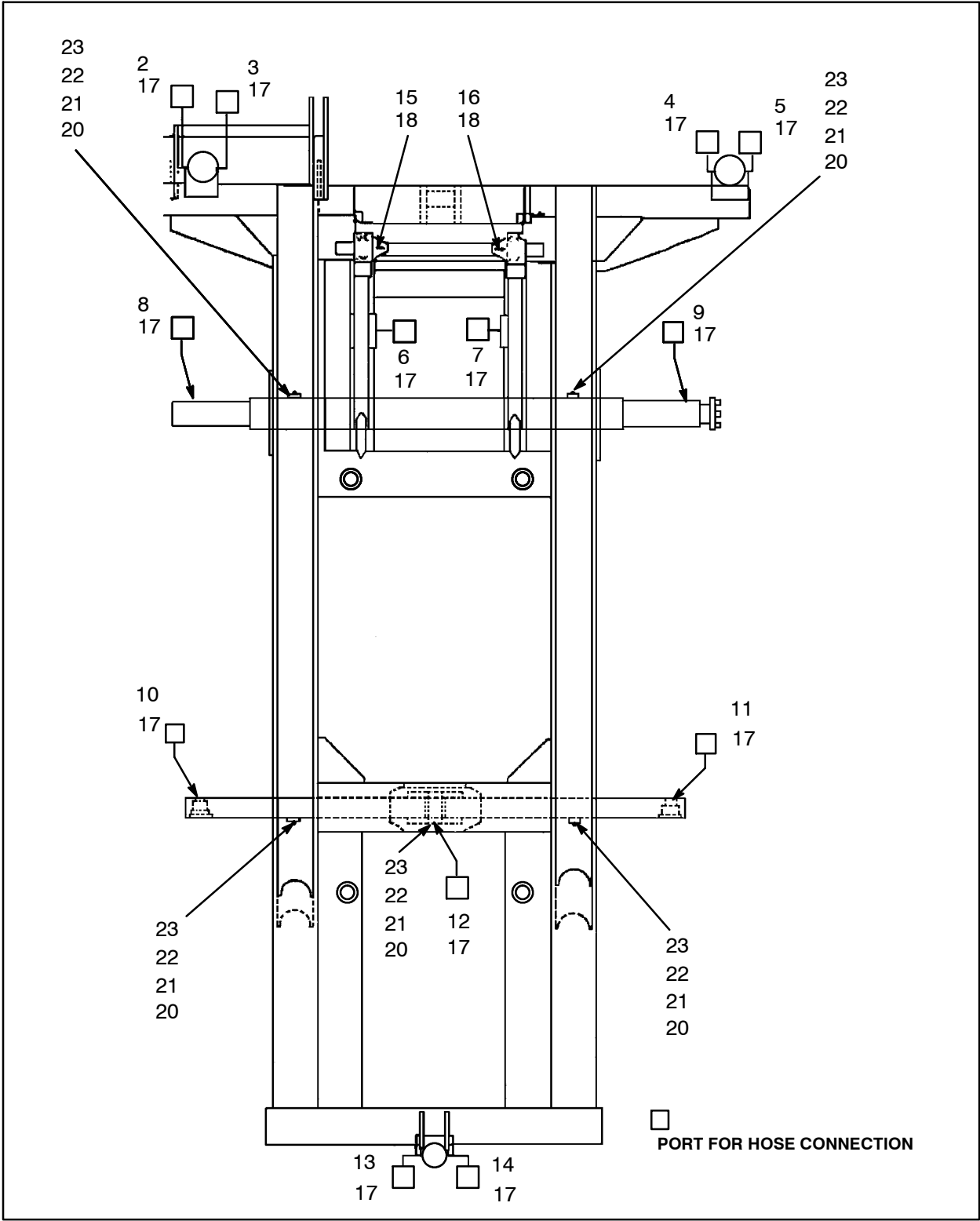
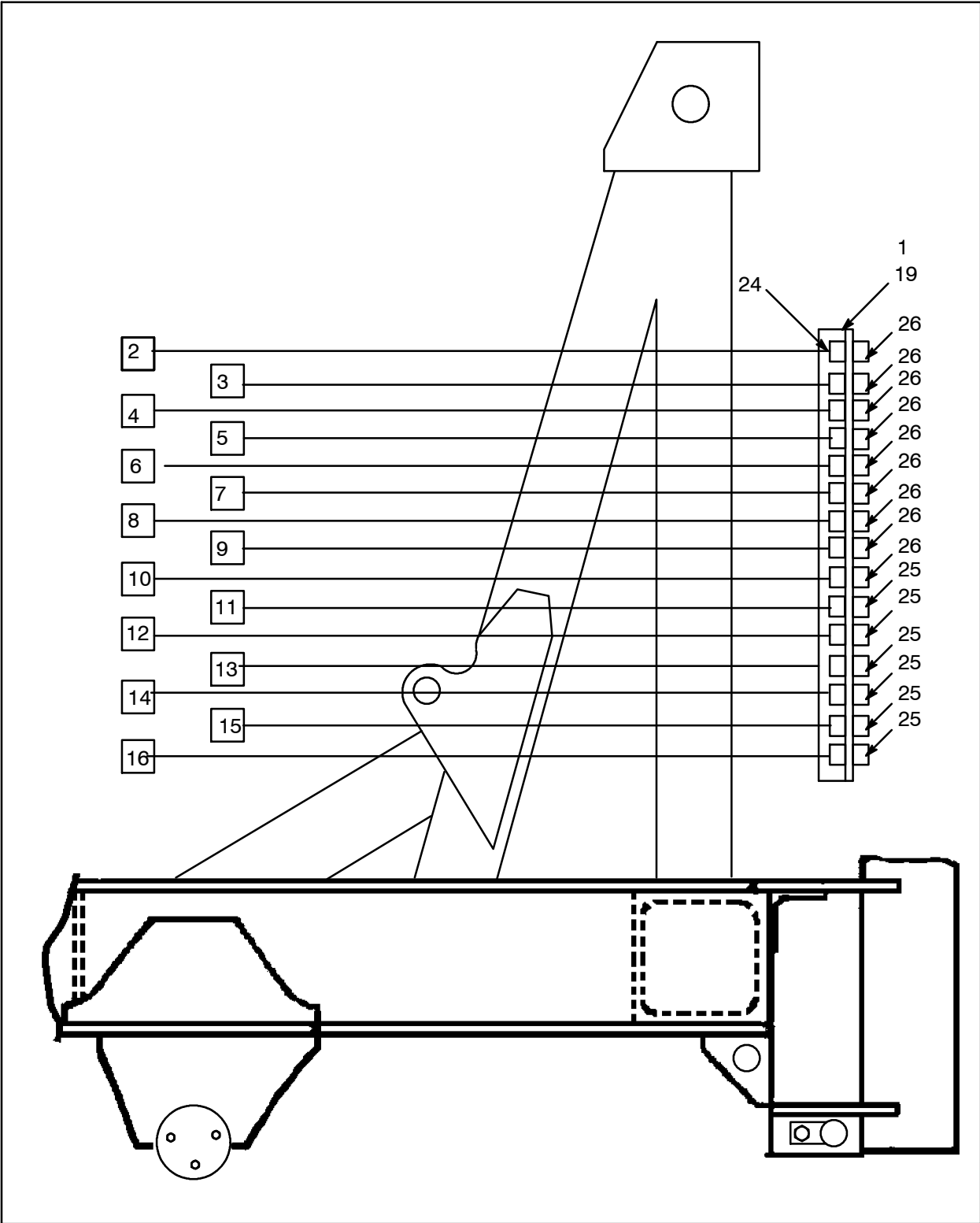


Figure 231 :LUBE, FRAME & TRACK
E57244386 REV06

57244386 LUBE, FRAME & TRACK



LUBE, FRAME & TRACK
57244386

Figure 232 :LUBE, FRAME & TRACK
E57244386 REV06

57244386 LUBE, FRAME & TRACK

LUBE, FRAME & TRACK
57244386

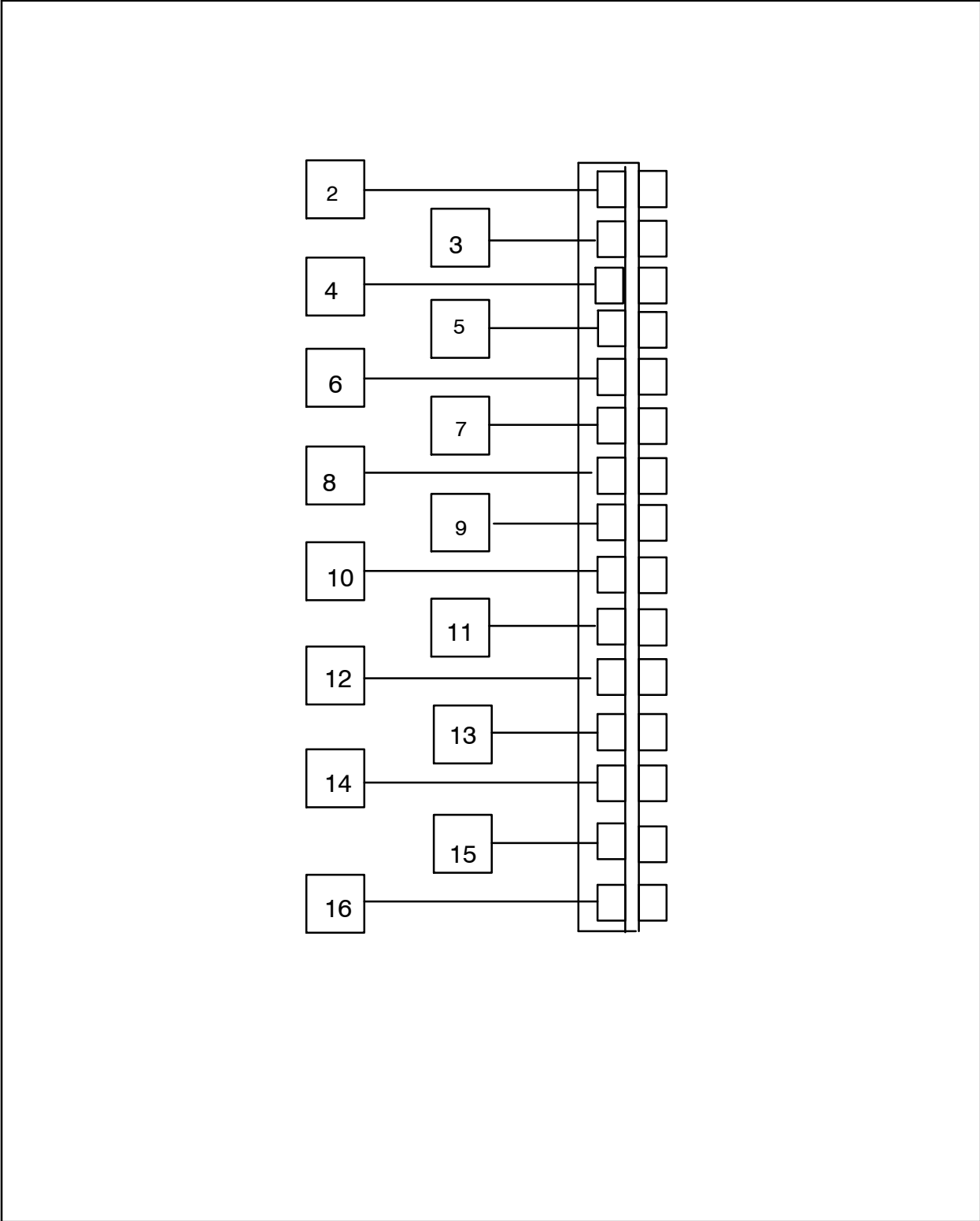


Figure 233 :LUBE, FRAME & TRACK
E57244386 REV06

57244386 LUBE, FRAME & TRACK

REF.	PART NO.	QTY.	UNIT	DESCRIPTION
001	57244444	1	EA	BRACKET
002	57043200	1	EA	HOSE ASSY
003	56964281	1	EA	HOSE ASSY
004	57343675	1	EA	HOSE ASSY
005	56973621	1	EA	HOSE ASSY
006	56973621	1	EA	HOSE ASSY
007	52226453	1	EA	HOSE ASSY
008	52226461	1	EA	HOSE ASSY
009	57043218	1	EA	HOSE ASSY
010	57005696	1	EA	HOSE ASSY
011	57005696	1	EA	HOSE ASSY
012	57044752	1	EA	HOSE ASSY
013	56972714	1	EA	HOSE ASSY
014	56972714	1	EA	HOSE ASSY
015	57043226	1	EA	HOSE ASSY
016	58081662	1	EA	HOSE ASSY
017	95209086	13	EA	FITTING, HYD
018	95302170	2	EA	FITTING, HYD
019	57536856	1	EA	DECAL-GREASE,M/F,DMC
020	95301859	5	EA	CLAMP, HOSE
021	95934550	5	EA	SCREW, CAP-3/8-16 X 3/4
022	95937413	5	EA	WASHER, LOCK-3/8 PLATED
023	95922894	5	EA	NUT, HEX-3/8-16
024	95287629	15	EA	FITTING, HYD
025	95201281	15	EA	FITTING, LUBE
026	95208971	9	EA	FITTING, LUBE-90 DEG 1/8

LUBE, FRAME & TRACK
57244386

57503443 LUBE SYSTEM

LUBE SYSTEM
57503443

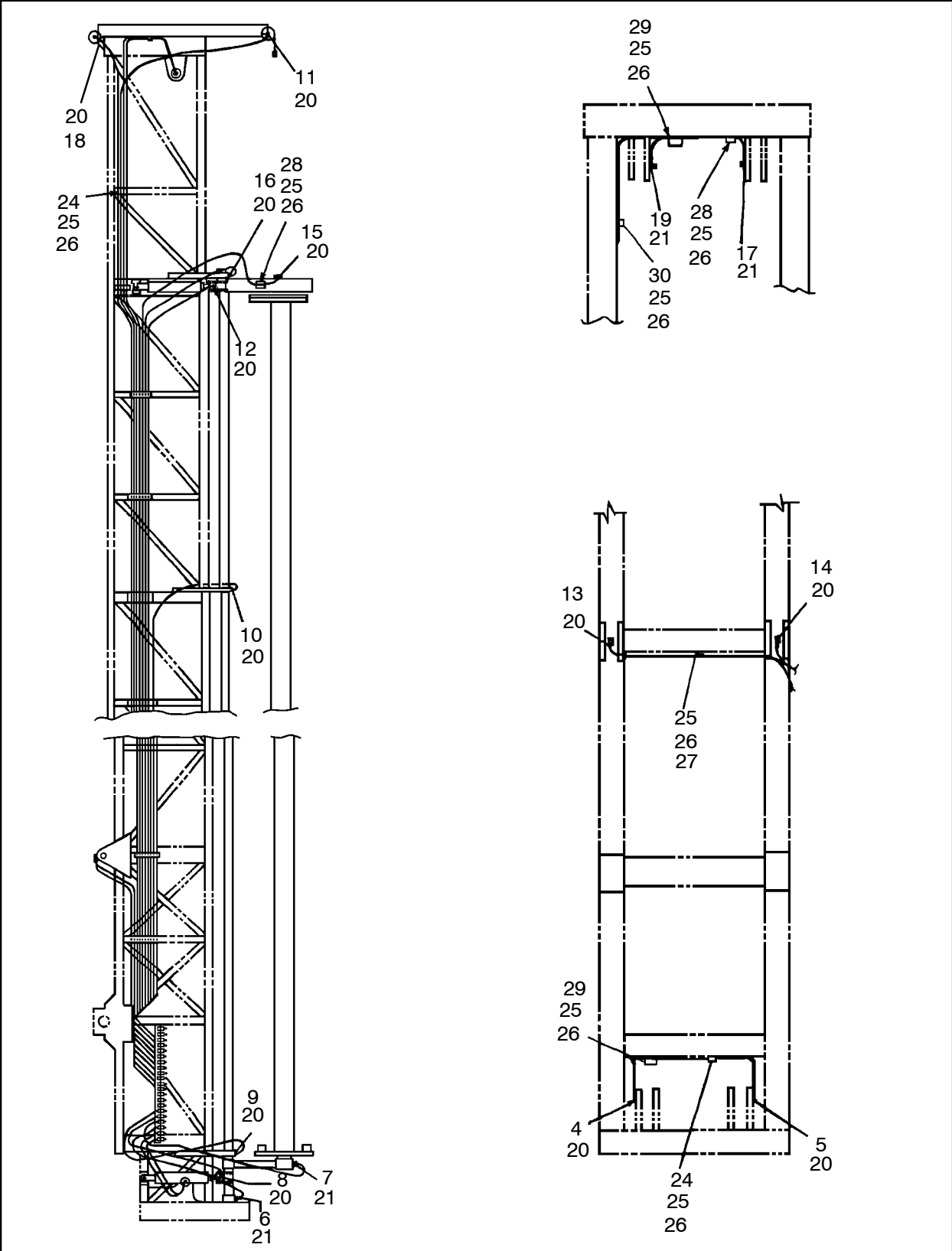


Figure 234 :LUBE SYSTEM
E57523482 REV02

57503443 LUBE SYSTEM

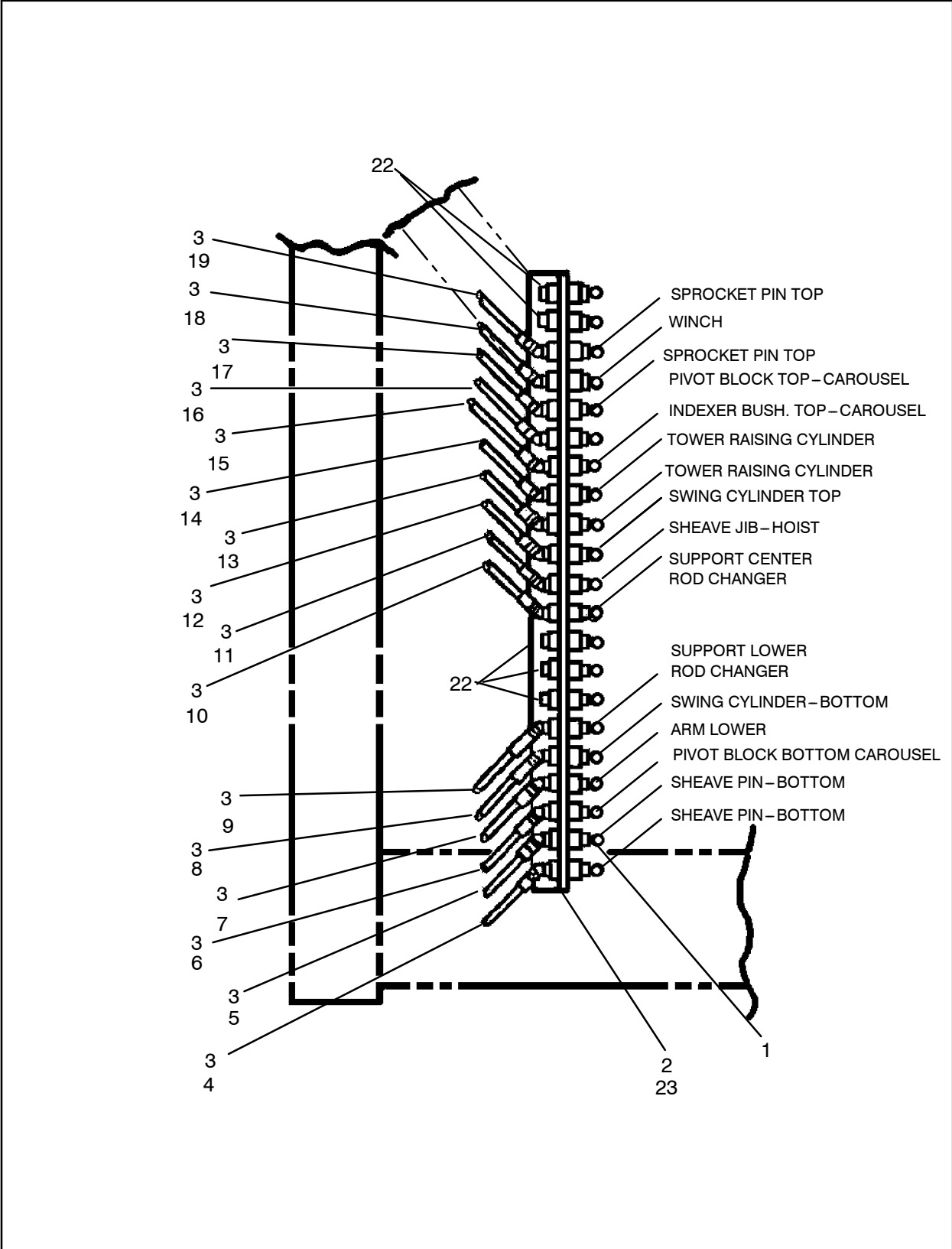


Figure 235 :LUBE SYSTEM
E57523482 REV02

57503443 LUBE SYSTEM

LUBE SYSTEM
57503443

REF.	PART NO.	QTY.	UNIT	DESCRIPTION
001	95201281	21	EA	FITTING, LUBE
002	57542359	1	EA	BRACKET, GREASE – TOWER
	95446621	21	EA	● - COUPLING
003	95302170	18	EA	FITTING, HYD
004	57101271	1	EA	HOSE ASSY
005	52255270	1	EA	HOSE ASSY
006	58146622	1	EA	HOSE ASSY
007	56973621	1	EA	HOSE ASSY
008	52226453	1	EA	HOSE ASSY
009	56964224	1	EA	HOSE ASSY
010	56964364	1	EA	HOSE ASSY
011	56984743	1	EA	HOSE ASSY
012	57478067	1	EA	HOSE ASSY
013	56964307	1	EA	HOSE ASSY
014	56972698	1	EA	HOSE ASSY
015	57234882	1	EA	HOSE ASSY
016	56964976	1	EA	HOSE ASSY
017	57473381	1	EA	HOSE ASSY
018	57187106	1	EA	HOSE ASSY.
019	57473415	1	EA	HOSE ASSY
020	95209086	12	EA	FITTING, HYD
021	95287629	4	EA	FITTING, HYD
022	95267068	5	EA	PLUG, PIPE – 1/8 SQ HEAD
023	57542367	1	EA	DECAL, GREASE – TOWER
024	57217416	11	EA	CLAMP, BOTTOM – SINGLE TIER
025	95922894	8	EA	NUT, HEX – 3/8 – 16
026	95937413	8	EA	WASHER, LOCK – 3/8 PLATED
027	50034818	2	EA	CLAMP, HALF
028	95301834	4	EA	CLAMP, HOSE
029	95396776	2	EA	CLAMP, HOSE
030	95301875	1	EA	CLAMP, HOSE

57503443 LUBE SYSTEM

This page is intentionally blank.

LUBE SYSTEM 57503443

57531543 NO BUMP ROD CHANGER PIPING

INSTL-NO BUMP ROD CHANGER P. 57531543

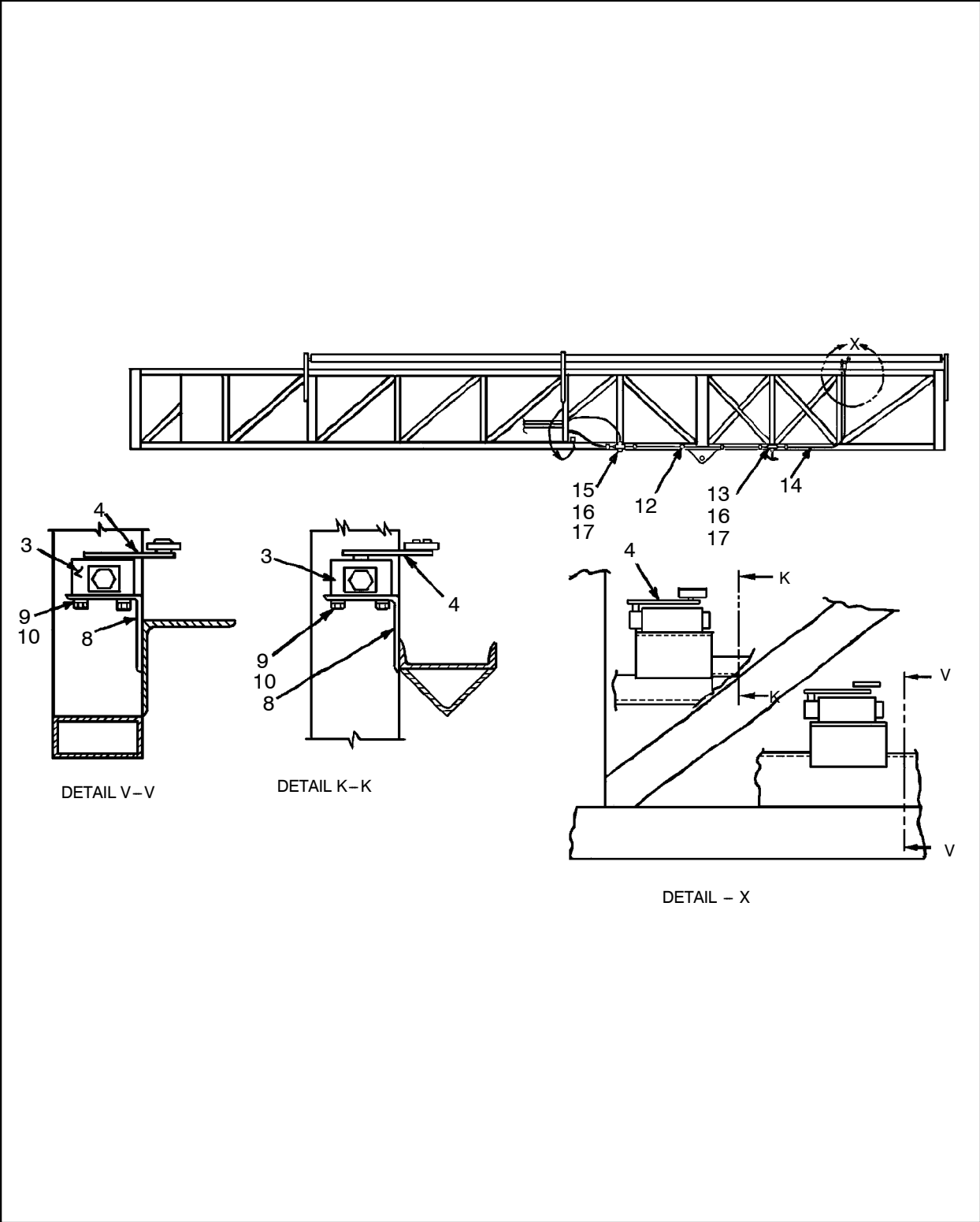
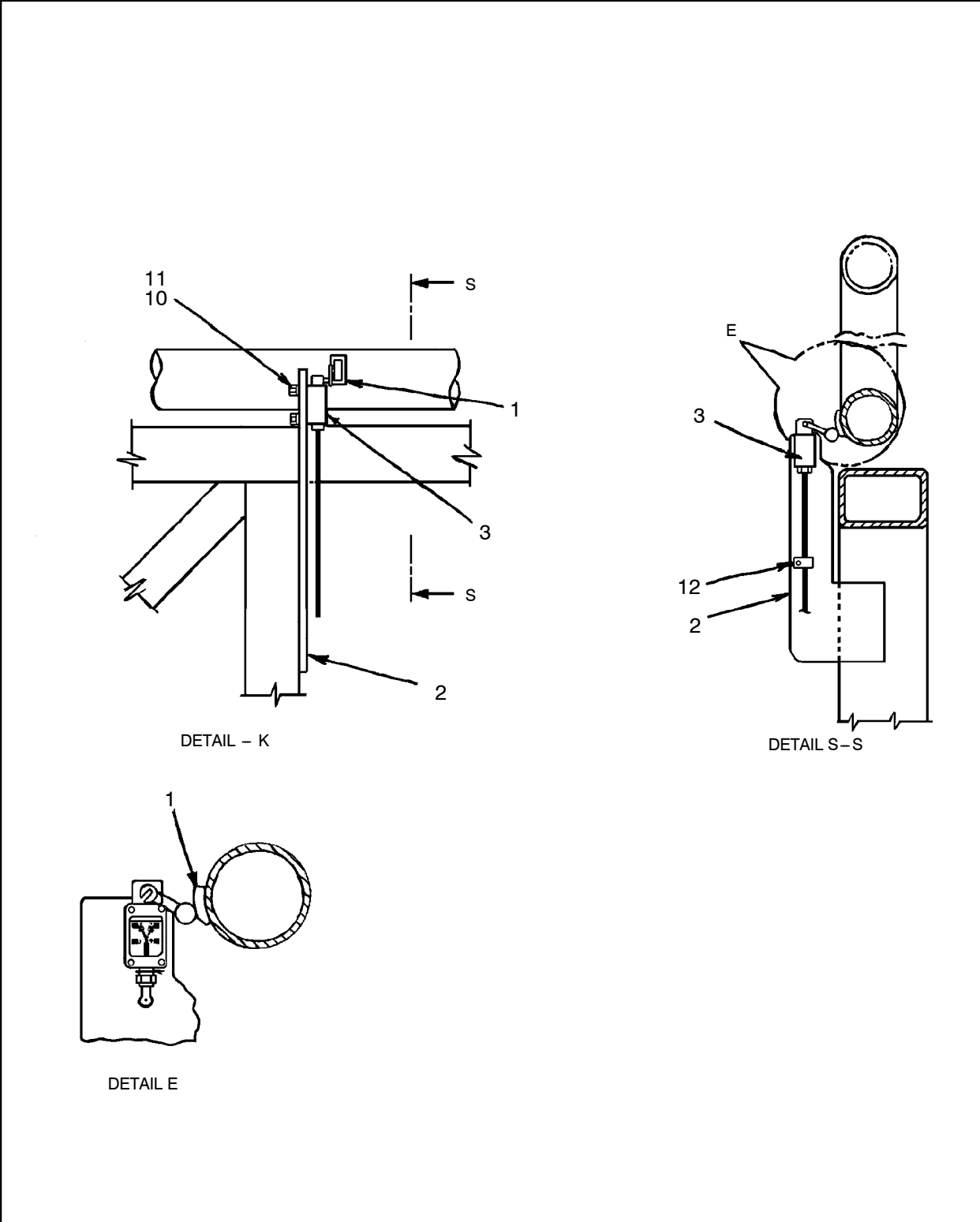


Figure 282 :NO BUMP ROD CHANGER PIPING
D57531543 REV01

57531543 NO BUMP ROD CHANGER PIPING



INSTL-NO BUMP ROD CHANGER P. 57531543

Figure 283 :NO BUMP ROD CHANGER PIPING
D57531543 REV01

57531543 NO BUMP ROD CHANGER PIPING

INSTL--NO BUMP ROD CHANGER P. 57531543

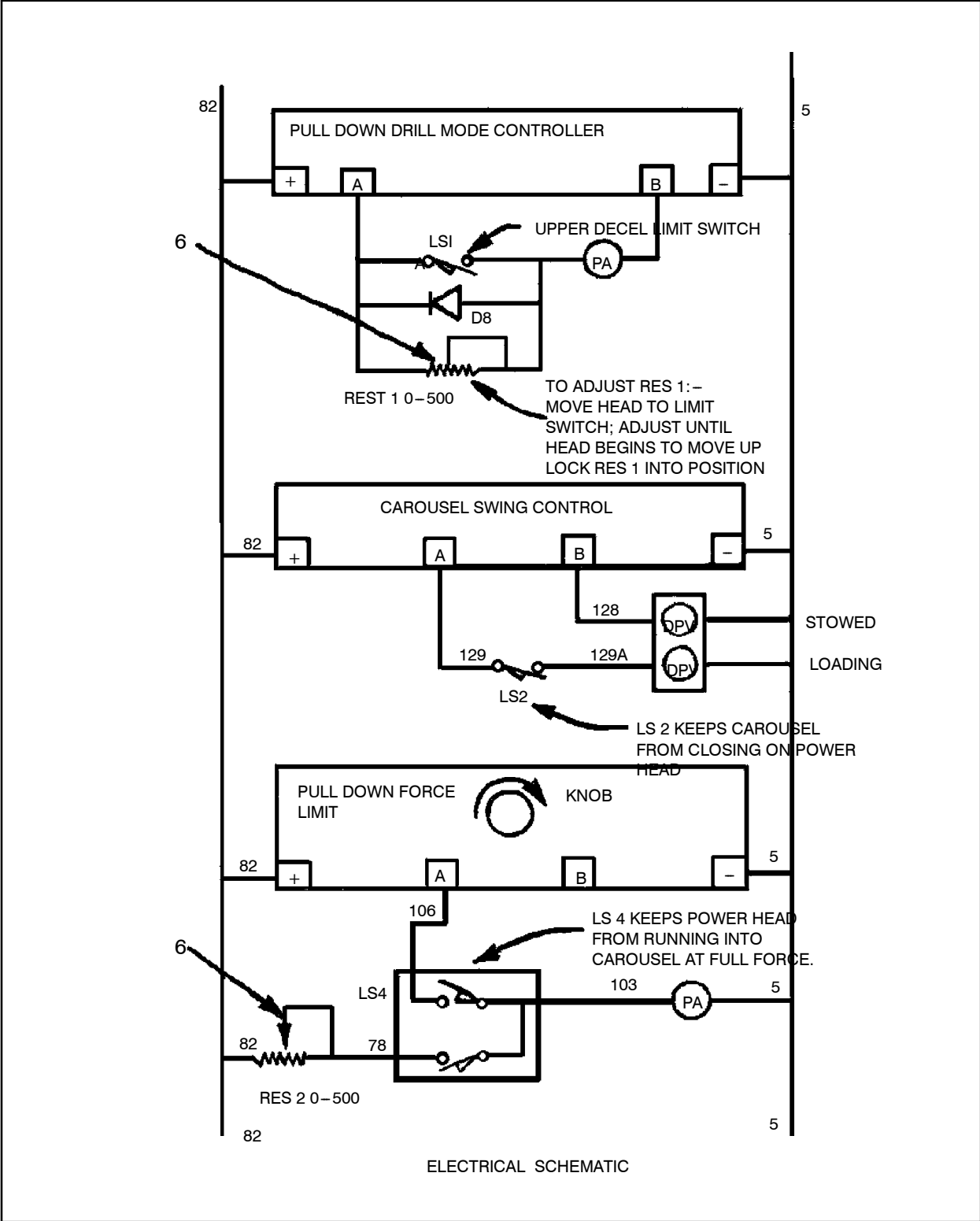


Figure 284 :NO BUMP ROD CHANGER PIPING
D57531543 REV01

57531543 NO BUMP ROD CHANGER PIPING

REF.	PART NO.	QTY.	UNIT	DESCRIPTION
001	57205288	1	EA	BLOCK
002	57205478	1	EA	PLATE, MOUNT
003	50518653	2	EA	SWITCH, LIMIT
004	57194987	1	EA	ARM, ADJUSTABLE
006	57433781	1	EA	POTENTIOMETER,500-OHM
008	57391641	1	EA	BRACKET, MICRO SWITCH
009	95934816	4	EA	SCREW, CAP-1/4-20 X 1
010	95934766	8	EA	WASHER, LOCK-1/4 PLATED
011	95934857	4	EA	SCREW, CAP-1/4-20 X 1-1/4
012	52236783	8	EA	CLAMP ASSY, 1/2"
013	95344719	1	EA	OUTLET BODY
014	95245049	220.00	IN	CONDUIT, FLEX-1/2SEALTITE
015	95735049	1	EA	OUTLET BODY
016	95344818	2	EA	COVER, 1/2"
017	95344867	2	EA	GASKET, COVER-1/2"

INSTL-NO BUMP ROD CHANGER P
57531543

57475840 PIPING, QUICK FILL

PIPING, QUICK FILL
57475840

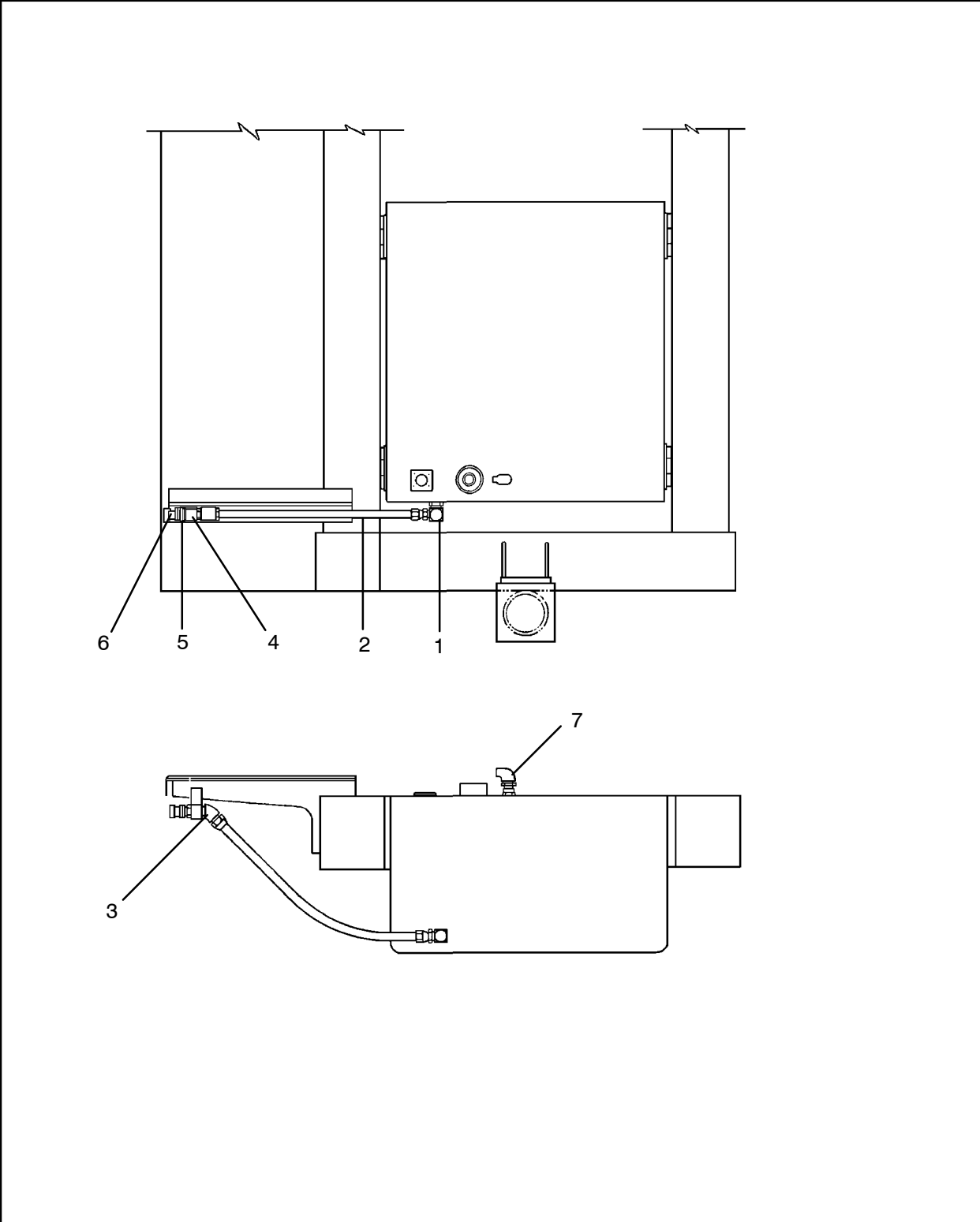


Figure 247 :PIPING, QUICK FILL
D57475840 REV 00

57475840 PIPING, QUICK FILL

REF.	PART NO.	QTY.	UNIT	DESCRIPTION
001	50692011	1	EA	FITTING, HYD
002	57446411	1	AS	HOSE ASSY
003	95279147	1	EA	FITTING, HYD
004	50695766	1	EA	BRACKET
005	50695980	1	EA	RECEIVER
006	50696004	1	EA	CAP, RECEIVER
007	57538530	1	EA	COUPLING, BREATHER DIESEL

PIPING, QUICK FILL
57475840

57554206 ROD SEAL 6-1/4 PIPE

ROD SEAL, 6-1/4 PIPE
57554206

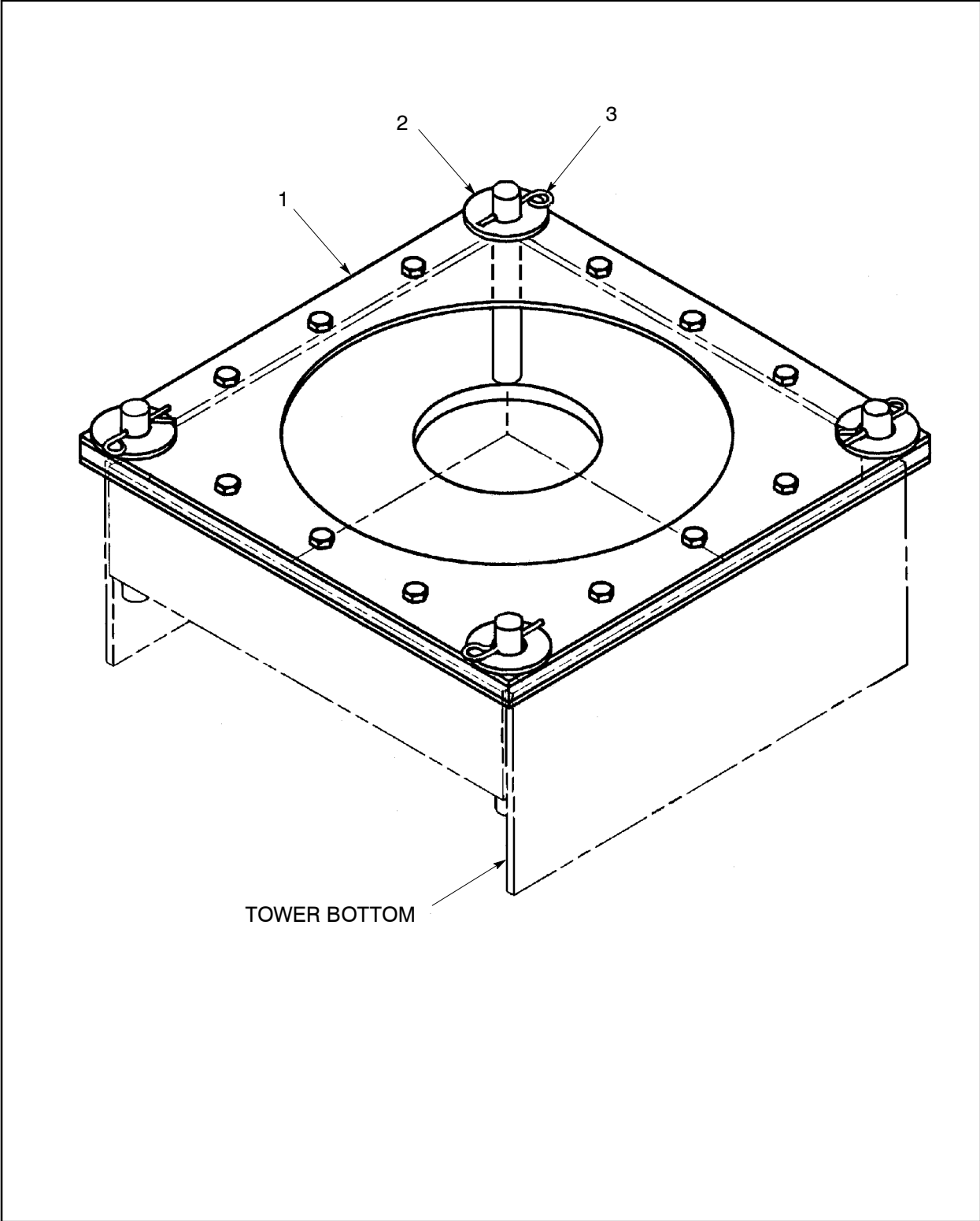


Figure 289 :ROD SEAL 6-1/4 PIPE
D57554172 REV000

57554206 ROD SEAL 6-1/4 PIPE

REF.	PART NO.	QTY.	UNIT	DESCRIPTION
001	57519779	1	EA	DUST SEAL, 6-1/4" PIPE <i>(See figure 290)</i>
002	95081659	8	EA	WASHER,FLAT-7/8
003	95433819	4	EA	CLIP

ROD SEAL, 6-1/4 PIPE
57554206

57519779 DUST SEAL, 6-1/4" PIPE

ROD SEAL, 6-1/4" PIPE
57554206

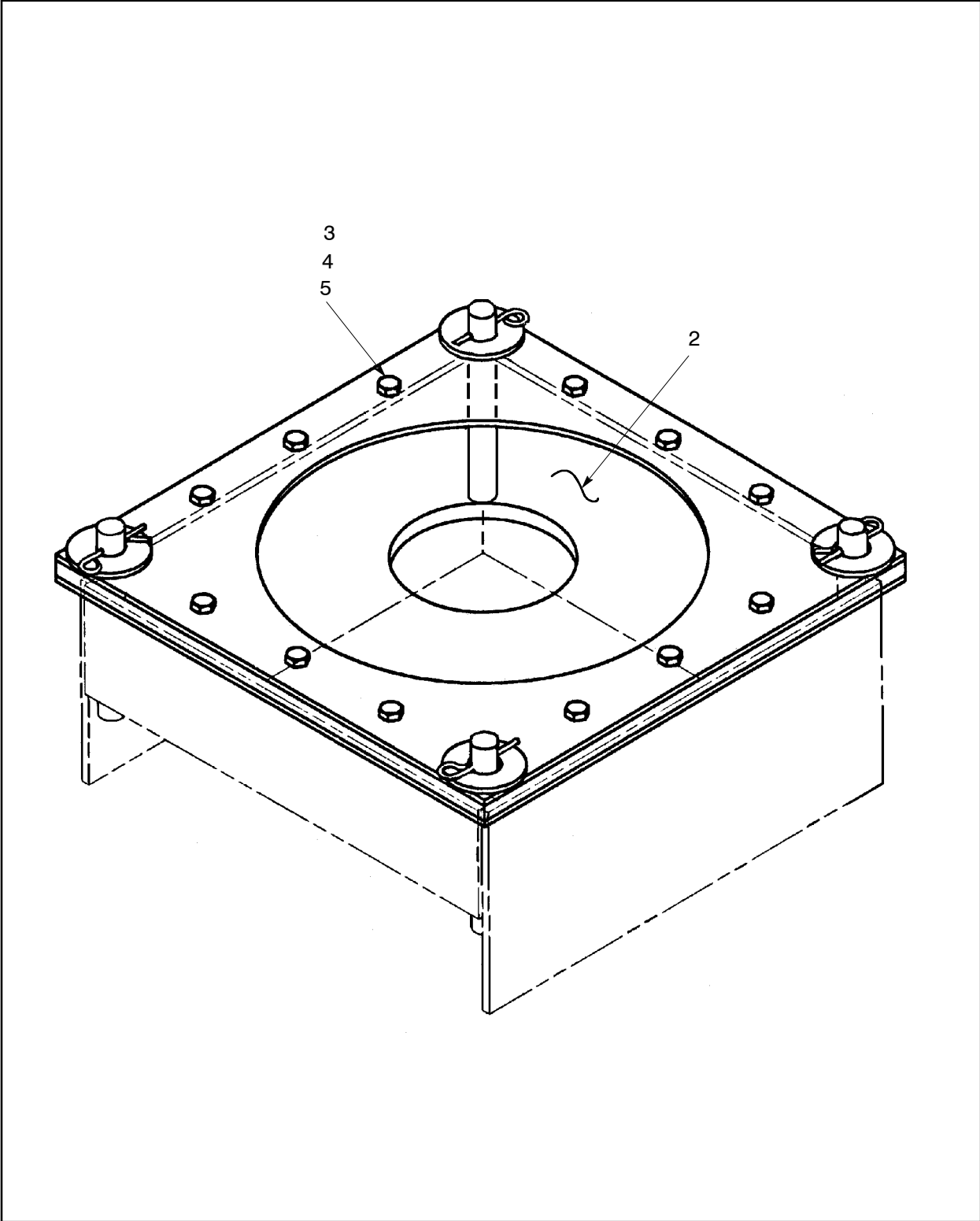


Figure 290 :DUST SEAL, 6-1/4" PIPE
C57519746 REV000

57519779 DUST SEAL, 6-1/4" PIPE

REF.	PART NO.	QTY.	UNIT	DESCRIPTION
002	57554123	1	EA	SEAL, 6-1/4" PIPE
003	95934584	12	EA	SCREW, CAP-3/8-16 X 1-1/2
004	95937413	12	EA	WASHER, LOCK-3/8 PLATED
005	95922894	12	EA	NUT, HEX-3/8-16

ROD SEAL, 6-1/4 PIPE
57554206

56243165 ANGLE DRILL 0-20DEG,ELEC

List only, no drawing required.

ANGLE DRILL 0-20DEG,ELEC
56243165

Figure 291 :ANGLE DRILL 0-20DEG,ELEC
NONE REV 000

56243165 ANGLE DRILL 0-20DEG,ELEC

REF.	PART NO.	QTY.	UNIT	DESCRIPTION
001	57429334	1	EA	TIE BAR, 0-20 DEGREES
002	56250301	1	EA	ROD SUPPORT ASY,ELEC,MAN (See figure 292)
003	57145468	1	EA	PIN, TIEBAR- 0-30 DEG
004	95935151	1	EA	SCREW,CAP-3/8-16 X3-1/4
005	95922894	1	EA	NUT,HEX,FINISHED
006	95937413	1	EA	WASHER,LOCK,HELICAL

ANGLE DRILL 0-20DEG,ELEC
56243165

56250301 ROD SUPPORT ASY,ELEC,MAN

ANGLE DRILL 0--20DEG,ELEC
56243165

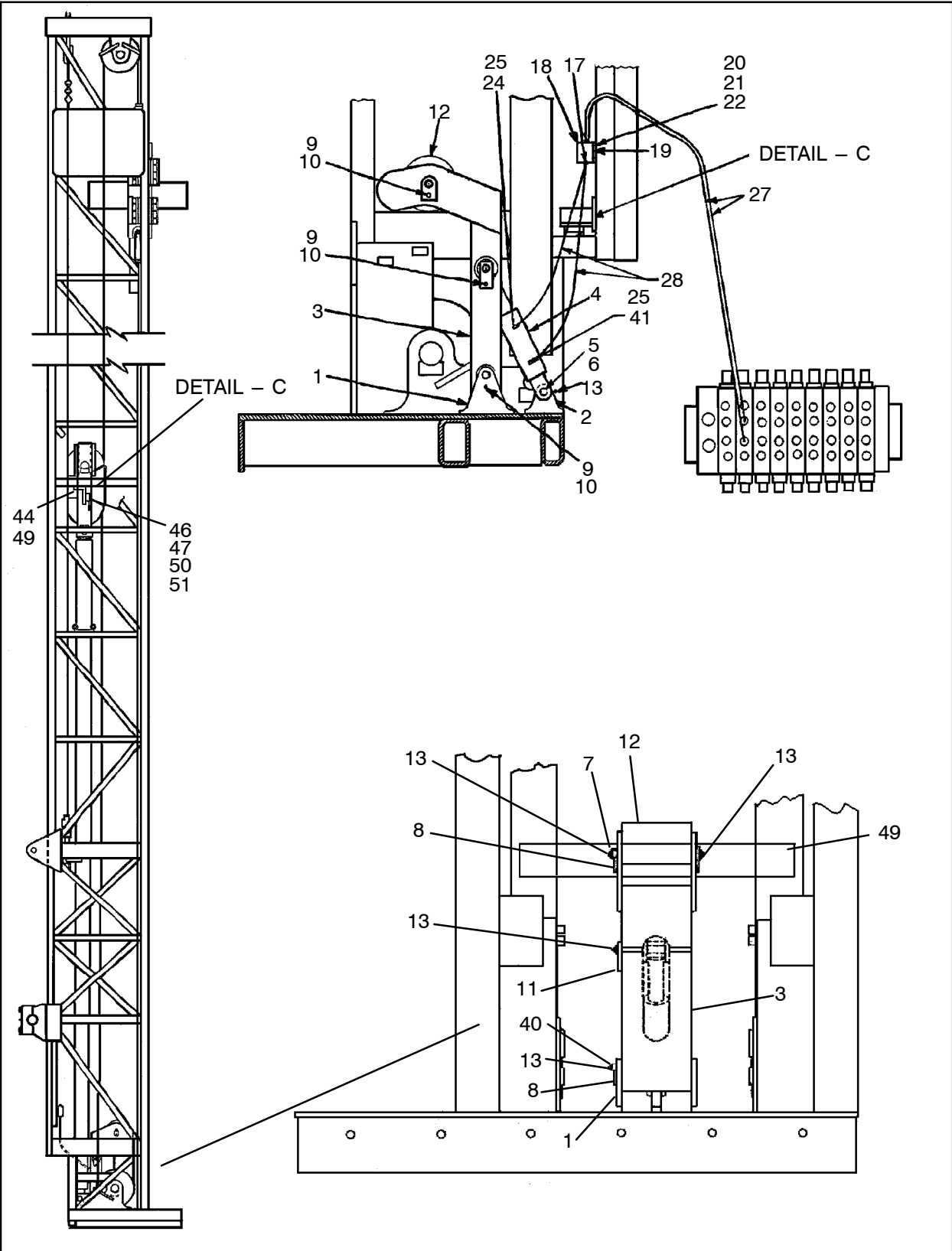
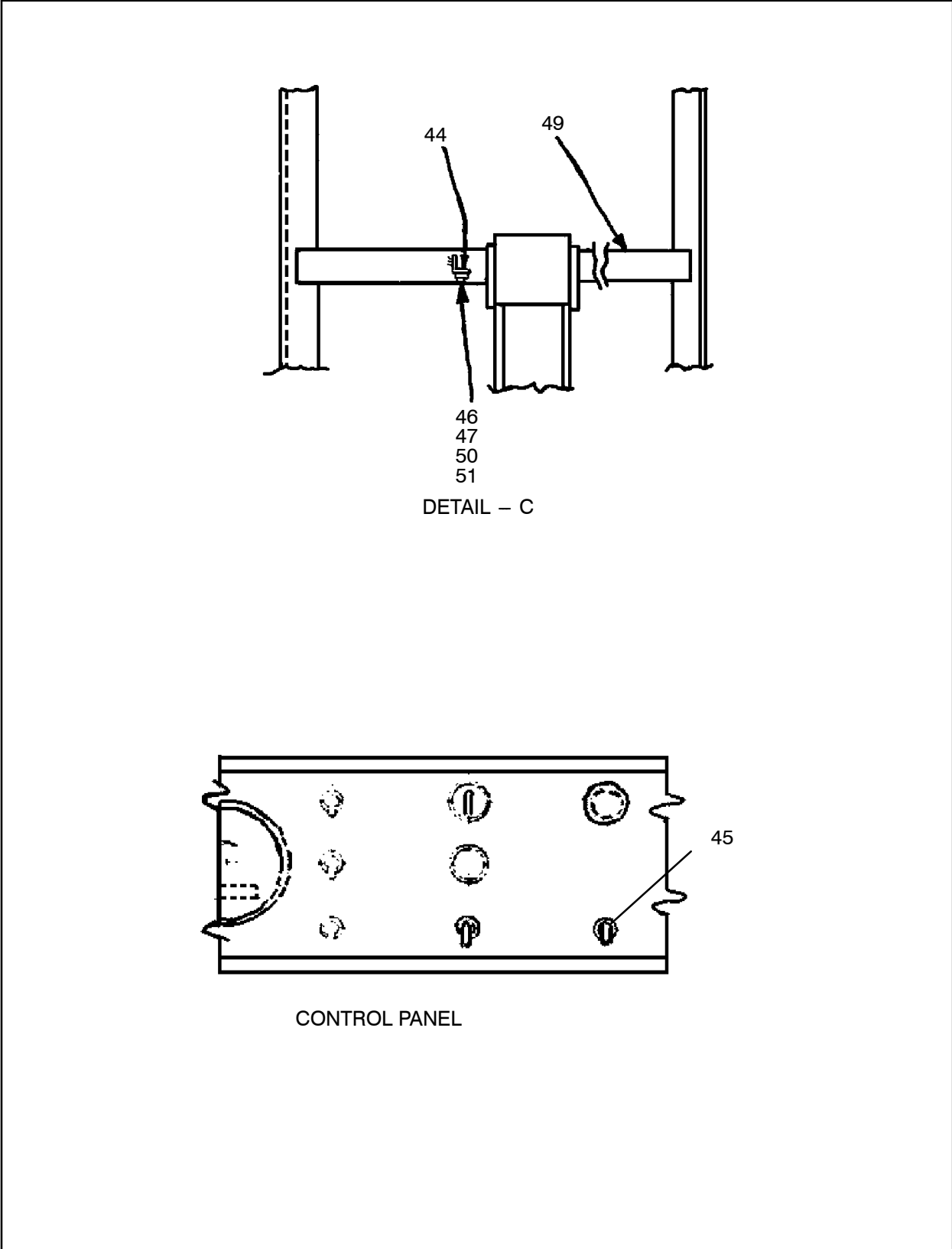


Figure 292 :ROD SUPPORT ASY,ELEC,MAN
D57535940 REV 006

56250301 ROD SUPPORT ASY,ELEC,MAN



ANGLE DRILL 0--20DEG,ELEC
56243165

Figure 293 :ROD SUPPORT ASY,ELEC,MAN
D57535940 REV 006

56250301 ROD SUPPORT ASY,ELEC,MAN

ANGLE DRILL 0--20DEG,ELEC
56243165

REF.	PART NO.	QTY.	UNIT	DESCRIPTION
001	56250020	2	EA	BRACKET, ARM MTG,RODSUPT
002	57423782	1	EA	BRKT, CYL MTG-- ROD SUPT
003	56250038	1	EA	ARM, ROD SUPORT, DMC TWR
004	57423808	1	EA	CYLINDER, HYDRAULIC (See figure 294)
005	95342028	1	EA	PIN,HINGE
006	95093381	2	EA	PIN,COTTER
007	57273237	1	EA	PIN, PIVOT
	57273229	1	EA	● - PIN
	57046831	1	EA	● - RETAINER
008	57273245	2	EA	RETAINER
009	95937413	5	EA	WASHER,LOCK,HELICAL
010	95920674	5	EA	SCREW,CAP,HEX
011	57423832	1	EA	PIN, LOCKING - CYL.
012	57423824	1	EA	ROLLER GUIDE, RODSUPPORT
	95381190	2	EA	● - BEARING
013	95201547	6	EA	FITTING,LUBE
017	95316972	4	EA	CONNECTOR,MALE,37 DEG
018	50462944	1	EA	VALVE,CHECK--DBL PILOTOP
019	57728255	1	EA	BAR, TAPPED
020	95943668	2	EA	SCREW,CAP,HEX
021	95934303	2	EA	WASHER,LOCK,PLATED
022	95922225	2	EA	WASHER, FLAT--5/16
024	95279089	1	EA	ELBOW
025	57291049	2	EA	RESTRICTOR, JIC/JIC .062
027	56957764	2	EA	HOSE ASSY
028	56950082	2	EA	HOSE ASSY
040	56250012	1	EA	PIN, ROD SUPPORT ARM
041	95219713	1	EA	CONNECTOR,MALE,37 DEG.
044	57541245	1	EA	BRACKET,SWITCH,ROD SUPT
045	57216913	1	EA	SWITCH, TOGGLE
046	50518653	1	EA	SWITCH,LIMIT
047	57194987	1	EA	ARM, ADJUSTABLE
049	57535064	1	EA	BAR, FLAT
050	95934766	4	EA	WASHER,LOCK,HELICAL
051	95928982	4	EA	SCREW,CAP--1/4--20 X 3/4

56250301 ROD SUPPORT ASY,ELEC,MAN



ANGLE DRILL 0--20DEG,ELEC 56243165

57423808 CYLINDER, HYDRAULIC

ANGLE DRILL 0--20DEG,ELEC
56243165

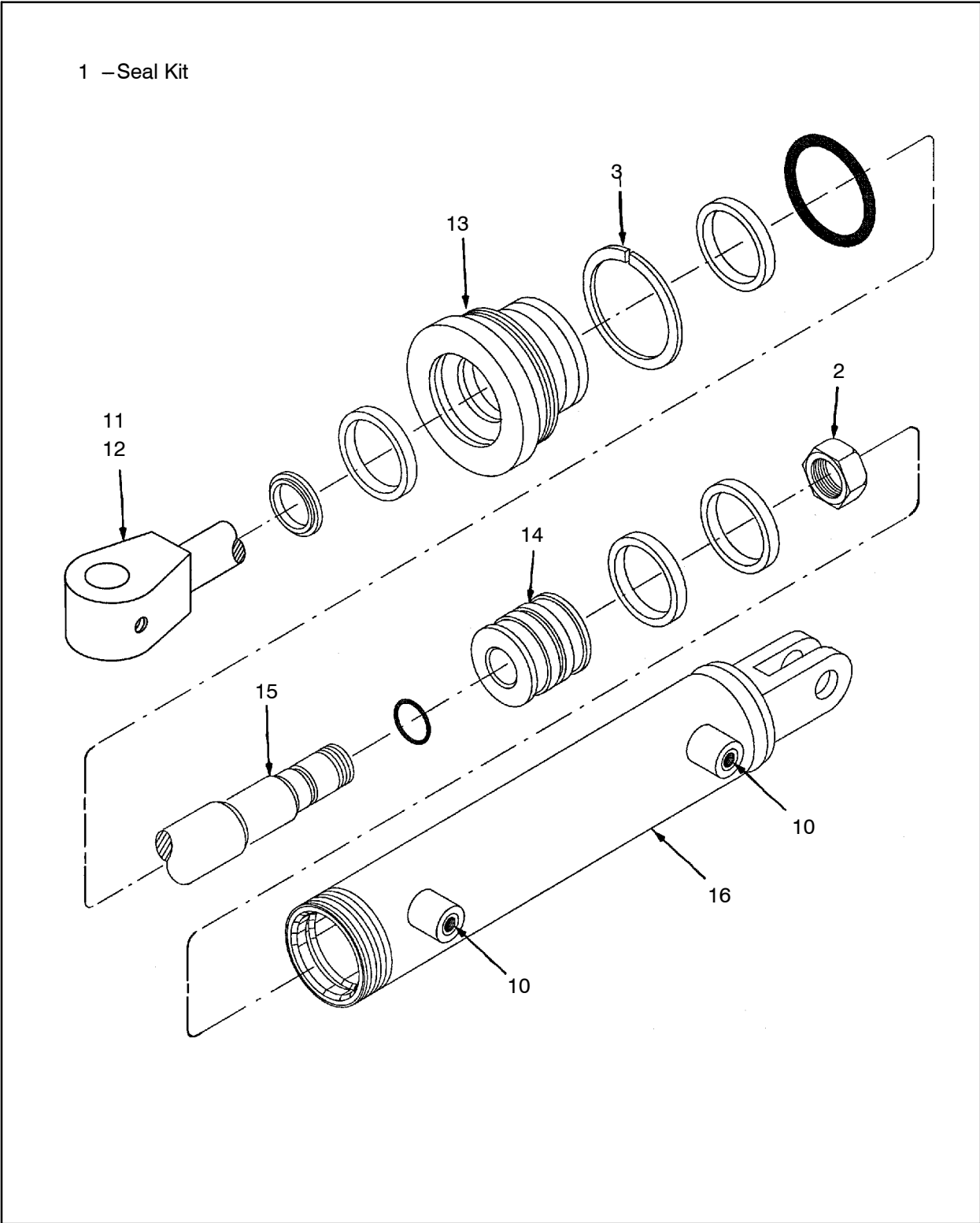


Figure 294 :CYLINDER, HYDRAULIC
C57423808 REV01

57423808 CYLINDER, HYDRAULIC

REF.	PART NO.	QTY.	UNIT	DESCRIPTION
001	57425043	1	EA	SEAL KIT
002	13084207	1	EA	LOCK-NUT
003	57068215	1	EA	RING, RETAINING
010	57401622	2	EA	PLUG-PORT
011	95531133	1	EA	NUT,HEX JAM-1 -12
012	57423915	1	EA	PINEYE ASSEMBLY
013	13084215	1	EA	HEAD
014	57423931	1	EA	PISTON
015	57423949	1	EA	ROD
016	57423956	1	EA	TUBE ASSEMBLY

(See figure 295)

ANGLE DRILL 0-20DEG,ELEC
56243165

57425043 SEAL KIT

ANGLE DRILL 0--20DEG,ELEC
56243165

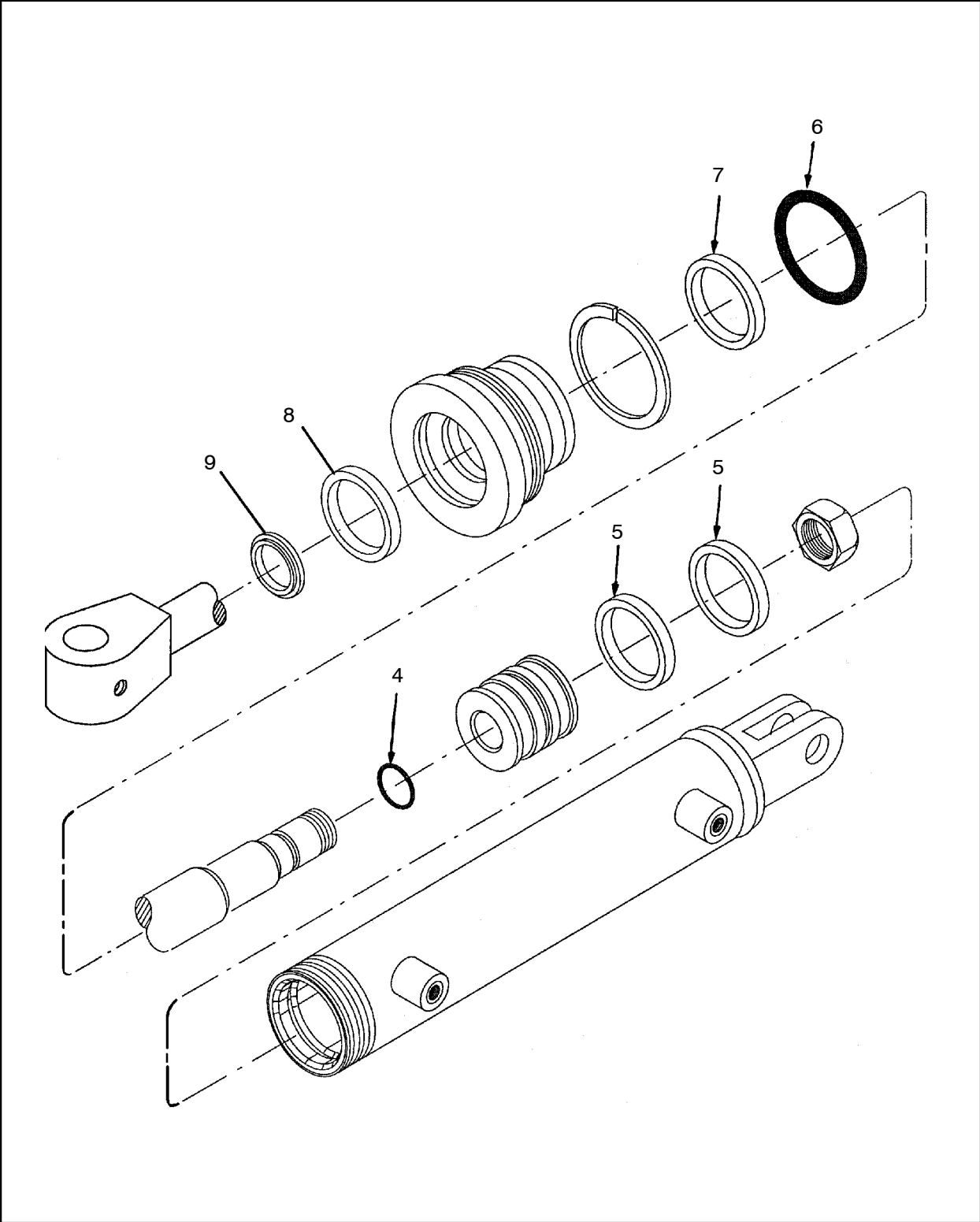


Figure 295 :SEAL KIT
D57423808 REV000

57425043 SEAL KIT

REF.	PART NO.	QTY.	UNIT	DESCRIPTION
004	57362105	1	EA	O-RING
005	57220352	2	EA	U-CUP
006	57220345	1	EA	O-RING
007	57220337	1	EA	SEAL,BACKUP
008	57233652	1	EA	U-CUP
009	57233660	1	EA	WIPER

ANGLE DRILL 0-20DEG,ELEC
56243165

TOOLS/ACCESSORIES

SECTION
TOOLS/ACCESSORIES

This page is intentionally blank.

SECTION

TOOLS/ACCESSORIES

57215303 DECALS INST'L-DML

DECALS INST'L-DML
57215303

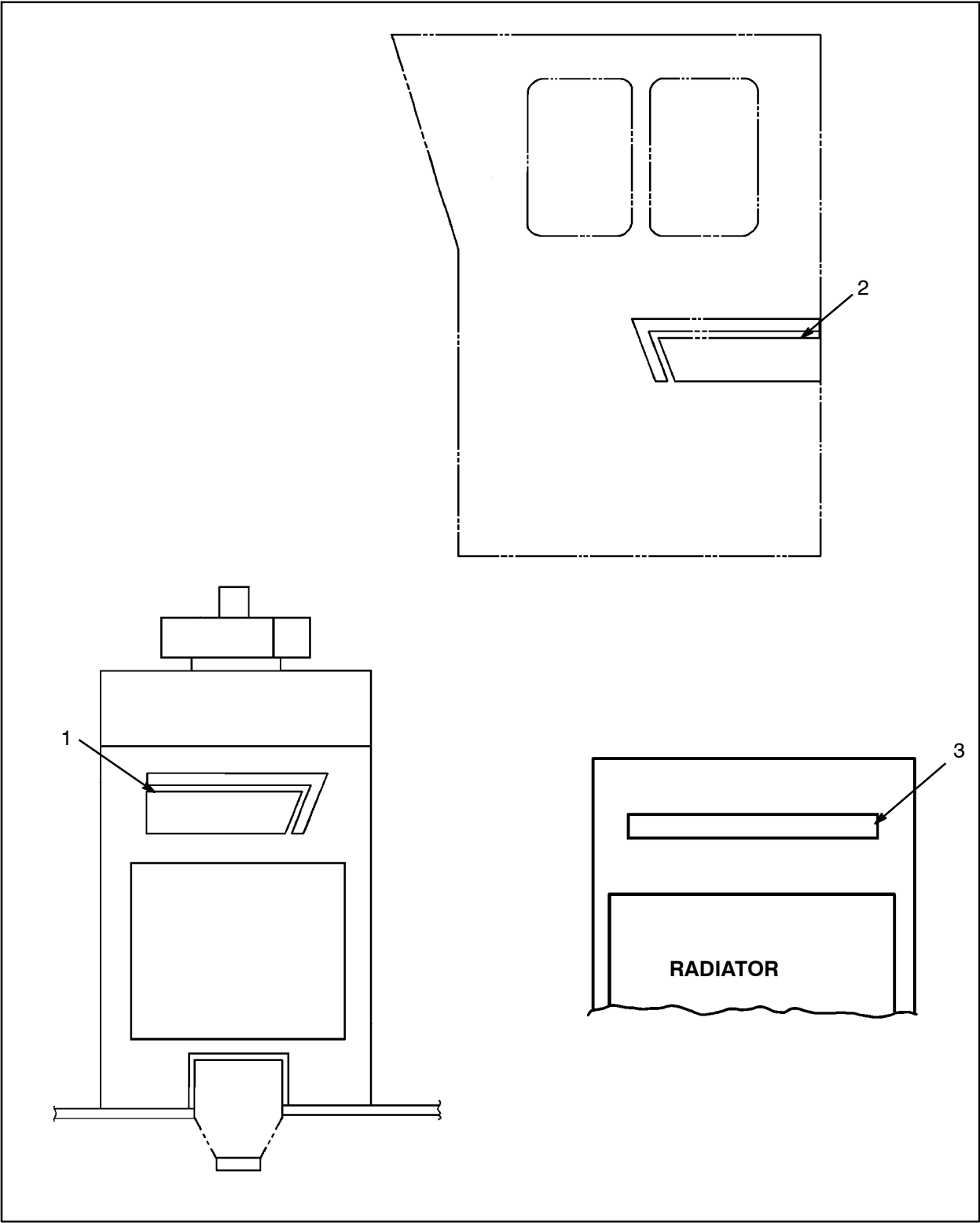
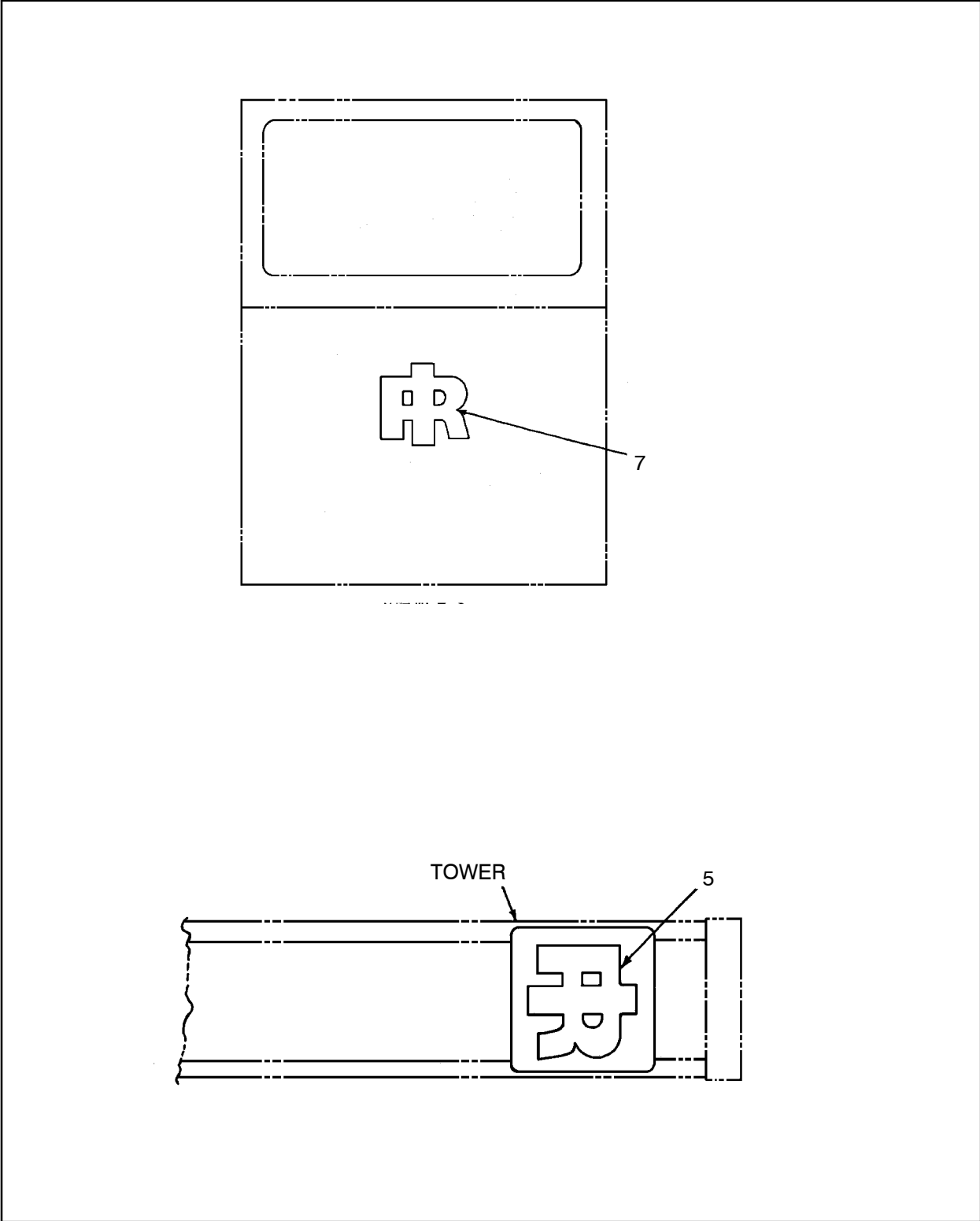


Figure 313 :DECALS INST'L-DML
E57059370 REV 005

57215303 DECALS INST'L-DML



DECALS INST'L-DML
57215303

Figure 314 :DECALS INST'L-DML
E57059370 REV 005

57215303 DECALS INST'L - DML

REF.	PART NO.	QTY.	UNIT	DESCRIPTION
001	57215311	1	EA	DECAL, DML - RH
002	57215378	1	EA	DECAL DML-LH
003	57497927	2	EA	DECAL, CORP. NAMEPLATE
005	57362378	2	EA	DECAL,IR LOGO-RED
007	35861269	2	EA	DECAL,CORPORATENAMEPLATE

DECALS INST'L - DML
57215303

57215303 DECALS INST'L – DML

This page is intentionally blank.

DECALS INST'L – DML
57215303

56246671 DECAL,CONSOLE

DECAL, CONSOLE
56246671

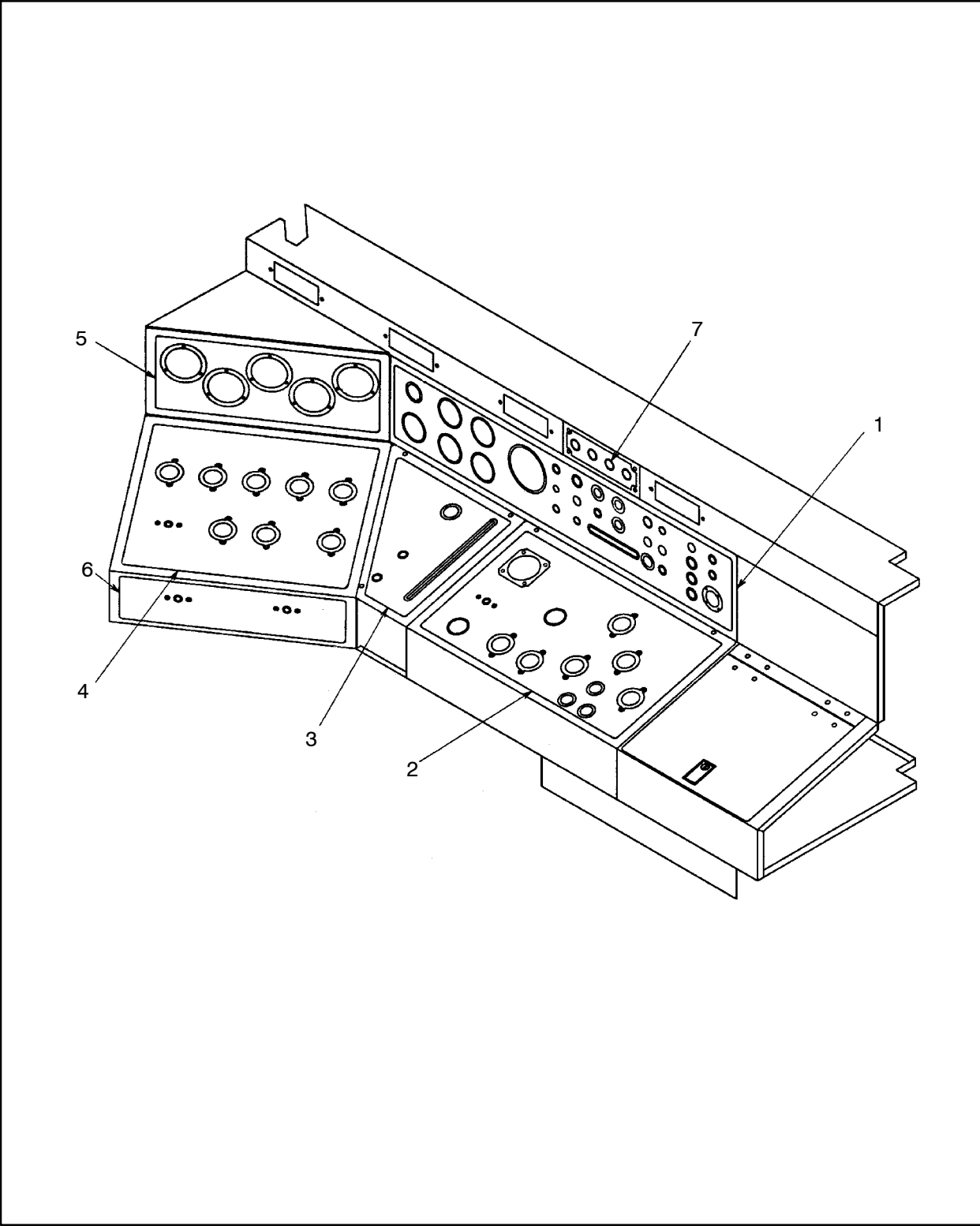


Figure 305 :DECAL,CONSOLE
56246671

56246671 DECAL,CONSOLE

REF.	PART NO.	QTY.	UNIT	DESCRIPTION
001	56246622	1	EA	DECAL,ENGINE FN-ELEC CAB
002	56246648	1	EA	DECAL,TRAM FN-ELEC CAB
003	56246630	1	EA	DECAL,COMP FN-ELEC CAB
004	56246655	1	EA	DECAL,DRILL FN-ELEC CAB
005	56246614	1	EA	DECAL,GAUGES, ELEC CAB
006	56246663	1	EA	DECAL,FEED CNTRL,ELEC CAB
007	56246689	1	EA	DECAL, AC/HTR,ELEC CAB

DECAL, CONSOLE
56246671

57147910 DECALS, SAFETY

DECALS, SAFETY
 57147910

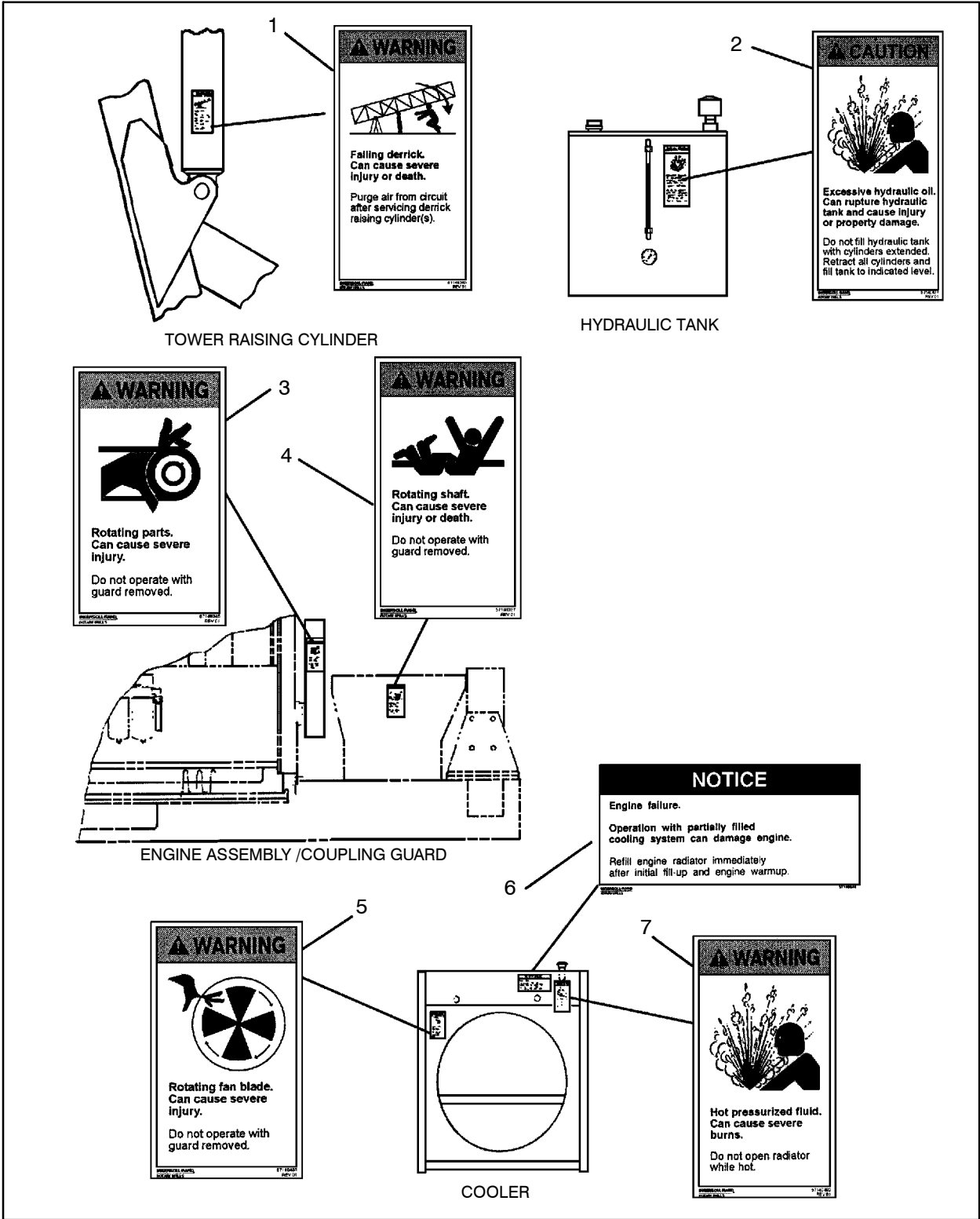
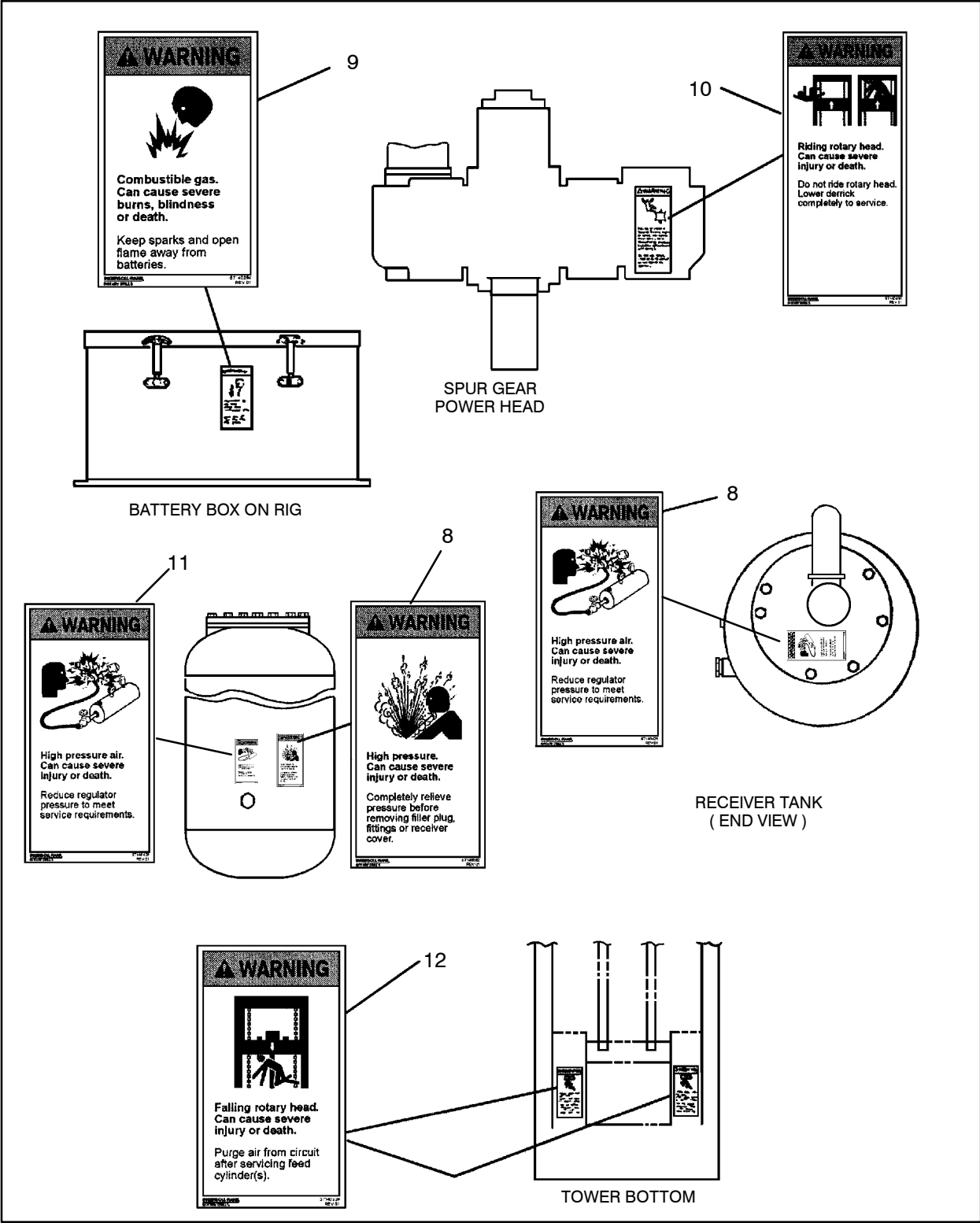


Figure 306 :DECALS, SAFETY
 D57147910 REV 007

57147910 DECALS, SAFETY



DECALS, SAFETY
57147910

Figure 307 :DECALS, SAFETY
D57147910 REV 007

57147910 DECALS, SAFETY

DECALS, SAFETY
57147910

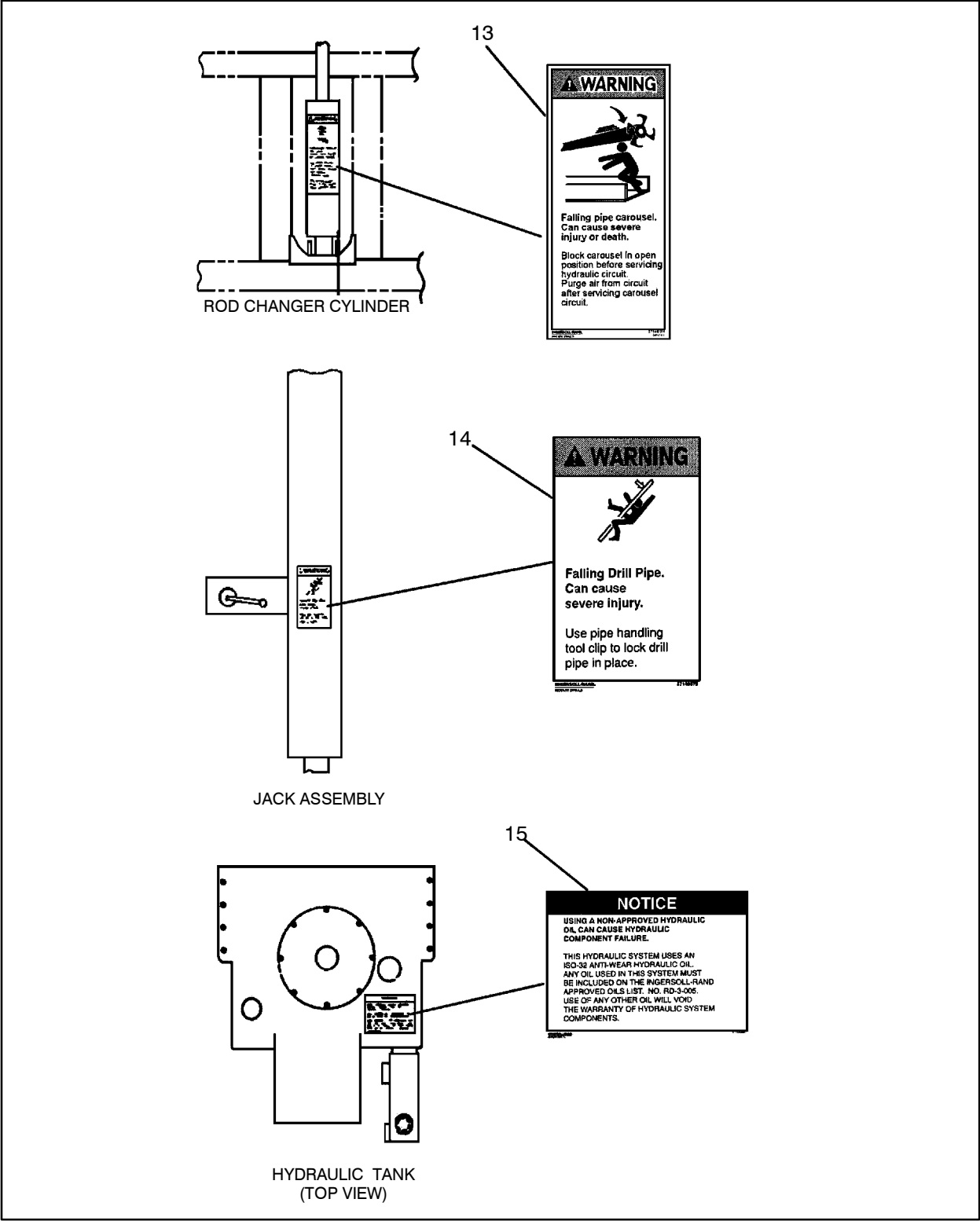


Figure 308 :DECALS, SAFETY
D57147910 REV 007

57147910 DECALS, SAFETY

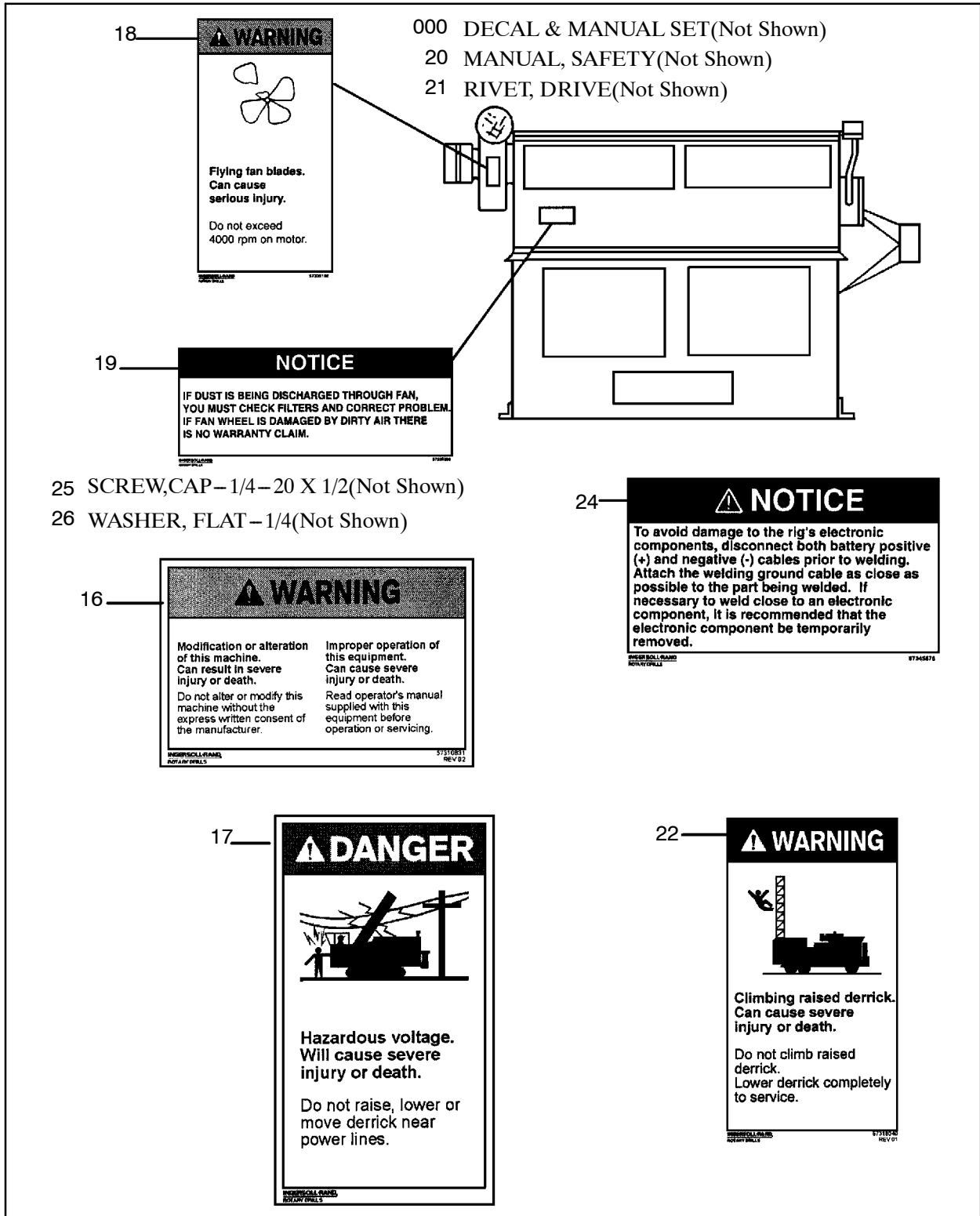


Figure 309 :DECALS, SAFETY
 D57147910 REV 007

57147910 DECALS, SAFETY

DECALS, SAFETY
57147910

REF.	PART NO.	QTY.	UNIT	DESCRIPTION
000	57404295	1	EA	DECAL & MANUALSET – DM45/5
	57140360	2	EA	● - DECAL, WARNING – FALLDERRIC
	57140477	1	EA	● - DECAL, CAUTION – EXCESSOIL
	57140345	2	EA	● - DECALWARNING – ROTAT.PARTS
	57140337	2	EA	● - DECAL, WARNING – ROTATINGPT
	57140469	2	EA	● - DECAL, WARNING – ROT.BLADE
	57140444	1	EA	● - DECAL, ENG.FAILURECOOLSY
	57140402	1	EA	● - DECAL, WARNING – HOT FLUID
	57140352	2	EA	● - DECAL, WARNING – HIGH PRESS
	57140394	1	EA	● - DECALWARNING – COMBUST.GAS
	57140410	1	EA	● - DECAL, WARNING – POWERHEAD
	57140428	1	EA	● - DECAL, WARNING – HIGHPRESS
	57140329	2	EA	● - DECAL, WARNING – FALL PWRHD
	57140386	2	EA	● - DECAL, WARNING – FALLCAROUS
	57140378	1	EA	● - DECAL, WARNING – FALL DRLPI
	57156465	1	EA	● - DECAL, NOTICE – HYD.FAILURE
	57310831	1	EA	● - DECAL, WARNING – DON'TALTER
	57311086	1	EA	● - DECAL, DANGER – HAZ. VOLT.
	57335192	1	EA	● - DECAL, WARNING – FANBLADES
	57335200	1	EA	● - DECAL, NOTICE – DUST
	57311151	1	EA	● - MANUAL, SAFETY – DM45/50/L(See figure 310)
	57318040	2	EA	● - DECAL, WARNING – NOCLIMBNG
	57345878	2	EA	● - DECAL, NOTICE
001	57140360	0	EA	DECAL, WARNING – FALLDERRIC
002	57140477	0	EA	DECAL, CAUTION – EXCESSOIL
003	57140345	0	EA	DECALWARNING – ROTAT.PARTS
004	57140337	0	EA	DECAL, WARNING – ROTATINGPT
005	57140469	0	EA	DECAL, WARNING – ROT.BLADE
006	57140444	0	EA	DECAL, ENG.FAILURECOOLSY
007	57140402	0	EA	DECAL, WARNING – HOT FLUID
008	57140352	0	EA	DECAL, WARNING – HIGH PRESS
009	57140394	0	EA	DECALWARNING – COMBUST.GAS
010	57140410	0	EA	DECAL, WARNING – POWERHEAD
011	57140428	0	EA	DECAL, WARNING – HIGHPRESS
012	57140329	0	EA	DECAL, WARNING – FALL PWRHD
013	57140386	0	EA	DECAL, WARNING – FALLCAROUS

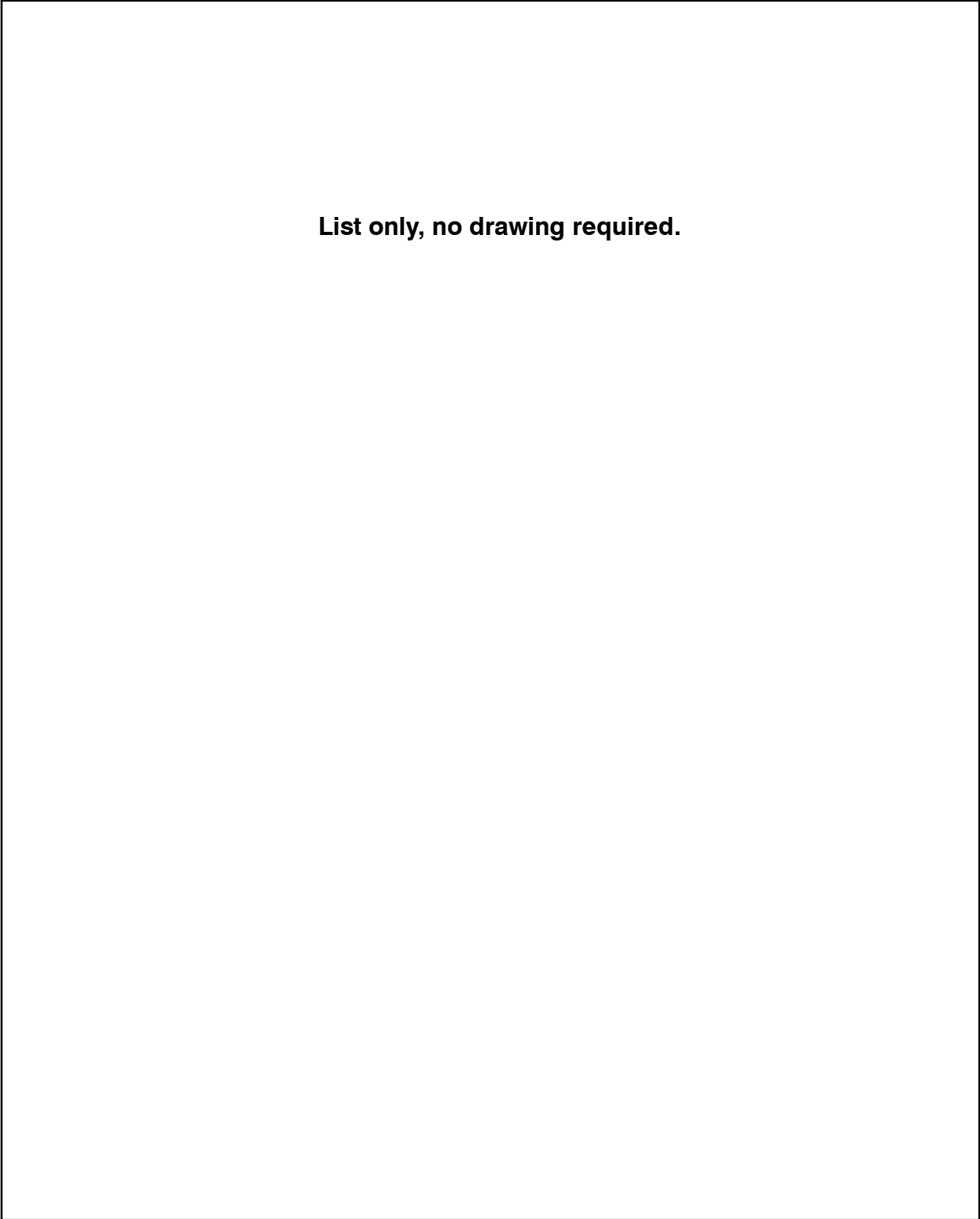
57147910 DECALS, SAFETY

REF.	PART NO.	QTY.	UNIT	DESCRIPTION
014	57140378	0	EA	DECAL, WARNING – FALL DRLPI
015	57156465	0	EA	DECAL, NOTICE – HYD. FAILURE
016	57310831	0	EA	DECAL, WARNING – DON'T ALTER
017	57311086	0	EA	DECAL, DANGER – HAZ. VOLT.
018	57335192	0	EA	DECAL, WARNING – FANBLADES
019	57335200	0	EA	DECAL, NOTICE – DUST
020	57311151	0	EA	MANUAL, SAFETY – DM45/50/L (See figure 310)
021	57318693	1	EA	RIVET, DRIVE
022	57318040	0	EA	DECAL, WARNING – NOCLIMBNG
024	57345878	0	EA	DECAL, NOTICE
025	95934774	2	EA	SCREW, CAP – 1/4 – 20 X 1/2
026	95922183	2	EA	WASHER, FLAT – 1/4

DECALS, SAFETY
 57147910

57311151 MANUAL, SAFETY –DM45/50/L

DECALS, SAFETY
57147910



**Figure 310 :MANUAL, SAFETY –DM45/50/L
A57311151 REV01**

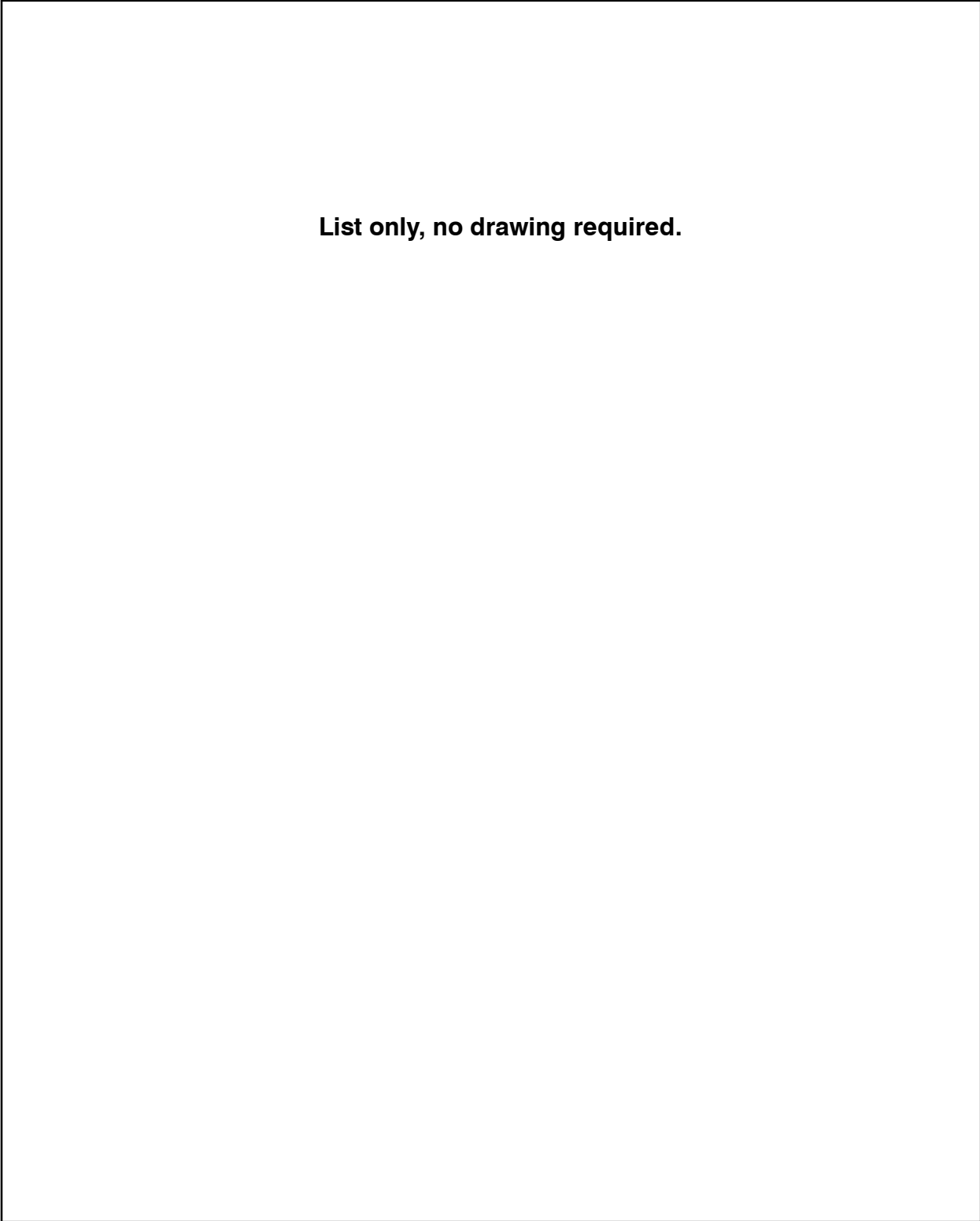
57311151 MANUAL, SAFETY –DM45/50/L

REF.	PART NO.	QTY.	UNIT	DESCRIPTION
001	57311169	1	EA	PAGE, COVER
	57377236	1	EA	● - DECAL, NOTICE
002	57311649	1	EA	PAGE, ORDER INFORMATION
003	57311656	1	EA	PAGE, LABEL REFERENCE
004	57324154	1	EA	PAGE, TABLE –DM 45/50/DML
005	57299422	1	EA	PAGE, EXCESSIVE HYD. OIL
006	57299430	1	EA	PAGE, ROTATING PARTS
007	57299448	1	EA	PAGE, ROTATING PARTS
008	57299455	1	EA	PAGE ROTATING BLADE
009	57299463	1	EA	PAGE, PRESSURIZED FLUID
011	57299489	1	EA	PAGE, HIGH PRESSURE
012	57299497	1	EA	PLATE, COMBUSTIBLE GAS
013	57299505	1	EA	PAGE,FALL OR CRUSHHAZARD
014	57299513	1	EA	PAGE, HIGH PRESSURE
015	57299521	1	EA	PAGE, FALLING POWER HEAD
016	57299539	1	EA	PAGE,FALLING RODCAROUSEL
017	57299547	1	EA	PAGE,FALLING DRILL PIPE
018	57299554	1	EA	PAGE,COMBINED WARNING
019	57299562	1	EA	PAGE, HAZARDOUS VOLTAGE
021	57299588	1	EA	PAGE, HIGH PRESSURE
022	57299596	1	EA	PAGE, HIGH PRESSURE
023	57318834	1	EA	PAGE, DON'T CLIMB
024	57299414	1	EA	PAGE, FALLING DERRICK
025	57338329	1	EA	PAGE, FAN BLADES

DECALS, SAFETY
 57147910

57328221 FILTER KIT, FIELD REPLACE

FILTER KIT, FIELD REPLACE TP: 57328221



List only, no drawing required.

**Figure 311 :FILTER KIT, FIELD REPLACE
LIST**

57328221 FILTER KIT, FIELD REPLACE

REF.	PART NO.	QTY.	UNIT	DESCRIPTION
001	52263183	2	EA	ELEMENT,FLTR-MAIN HYD
002	50343490	1	EA	ELEMENT,FLTR-3 MICRON
003	52263209	1	EA	ELEMENT, 10-MICRON FILTER
	52263191	1	EA	●- ELEMENT,FLTR
	95070603	1	EA	●- O-RING

FILTER KIT, FIELD REPLACE TP: 57328221

50421908 PAINT & SUPPLIES

PAINT AND SUPPLIES
50421908

List only, no drawing required.

Figure 312 :PAINT & SUPPLIES
LIST

50421908 PAINT & SUPPLIES

REF.	PART NO.	QTY.	UNIT	DESCRIPTION
001	35323567	15.00	GL	PAINT, BEIGE
002	50261437	5.00	GL	THINNER,
004	50261445	5.00	GL	PAINT, BLACK
005	50261411	1	EA	SEALANT, HYDRAULIC
007	58220773	1.00	GL	PAINT, BLACK
008	57135501	10.00	GL	PRIMER, GREY EPOXY
009	50407451	3	EA	SEALANT
010	57136459	10.00	QT	CATALYST, PRIMER

PAINT AND SUPPLIES
50421908

57518334

RODTOOLS,6.25 PIPE

RODTOOLS,6.25 PIPE
57518334

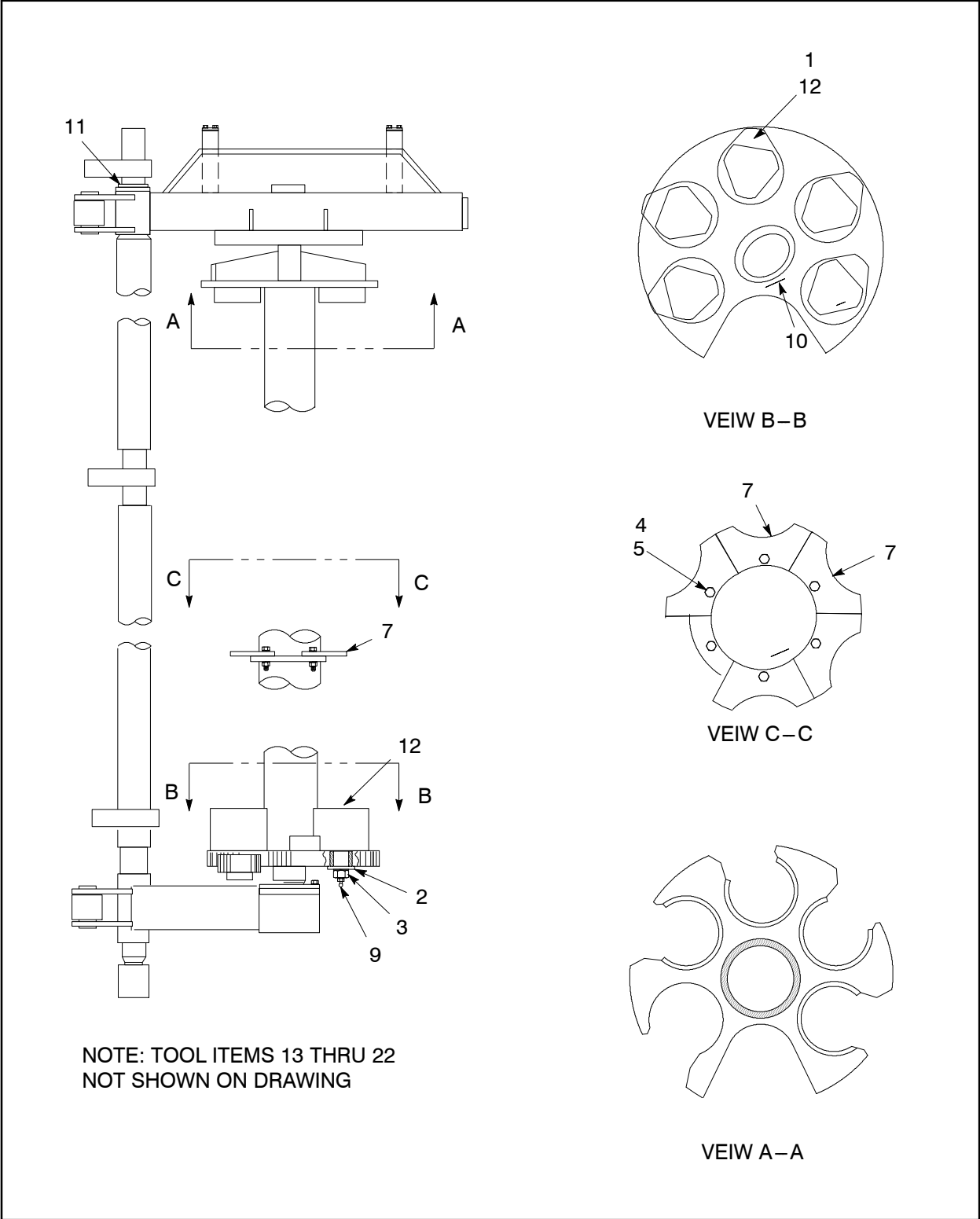


Figure 305 :RODTOOLS,6.25 PIPE
D57518300 REV 004

57518334 RODTOOLS,6.25 PIPE

REF.	PART NO.	QTY.	UNIT	DESCRIPTION
001	50415496	5	EA	CHUCK,5 HEX ROD
002	50519560	5	EA	PLATE,ROD CHUCK LOCKING
003	50519578	5	EA	BOLT,ROD CHUCK
004	95935128	6	EA	CAPSCREW
005	95923322	6	EA	NUT, ELASTIC LOCK-3/8-16
007	50461789	6	EA	ADAPTER-MIDDLE,6.25 RODS
008	50461797	5	EA	ADAPTER,UPPER-6.25 RODS
009	95201547	5	EA	FITTING,LUBE
010	50519594	1	EA	STOP, ROD CHUCK
011	52185162	2	EA	SPACER-ROD CHANGER
012	57083479	5	EA	BUSHING, ROD CHUCK-STEEL
013	57638066	1	EA	FORK,4.5 FLATS
014	57292930	1	EA	BUSHING,CENT-6-1/4 ROD
016	50260314	1	EA	WRENCH,CHAIN-5.313-6.25 (See figure 306)
017	50243088	1	EA	REST, WRENCH
018	52230786	1	EA	WRENCH, CHAIN ADJUSTING
019	50219955	1	EA	PIN,LOCKING
020	50245281	1	EA	GUN,BLOW-WITH 25' HOSE (See figure 309)
021	57386427	8	EA	GUIDE,BLOCK-LONG R.H.
022	57376832	4	EA	GUIDE SLIDE - R.H.

RODTOOLS,6.25 PIPE
57518334

50260314 WRENCH,CHAIN-5.313-6.25

RODTOOLS,6.25 PIPE 57518334

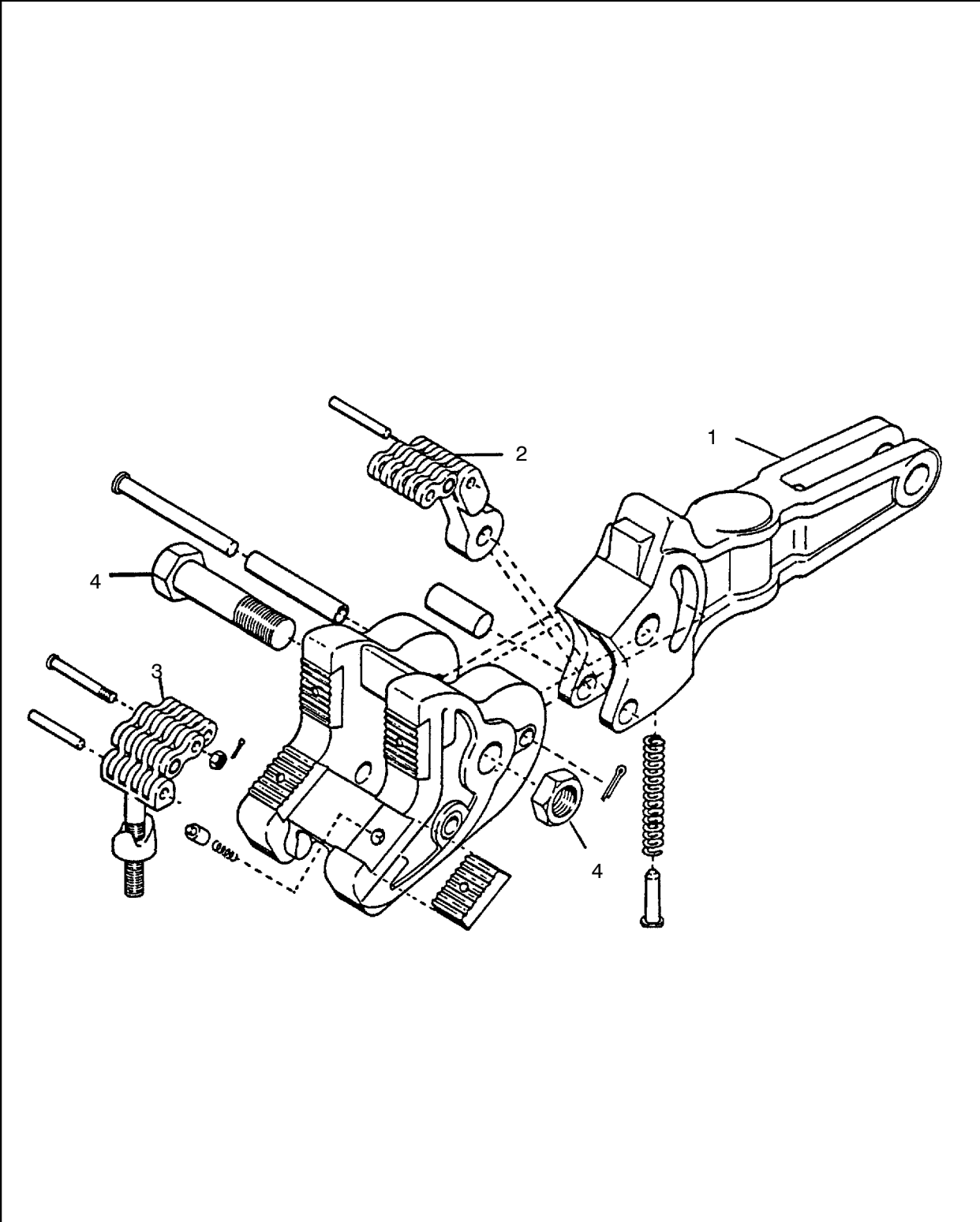


Figure 306 :WRENCH,CHAIN-5.313-6.25
V339177 REV 002

50260314 WRENCH,CHAIN-5.313-6.25

REF.	PART NO.	QTY.	UNIT	DESCRIPTION
001	50021120	1	EA	TONG ASSY-W/FLAT INSERTS (See figure 307)
002	50021138	1	EA	CHAIN ASSY (See figure 308)
003	50021377	2	EA	CHAIN SECT-2 LINKS
004	58229790	2	EA	BOLT AND NUT

RODTOOLS,6.25 PIPE 57518334

50021120 TONG ASSY-W/FLAT INSERTS

RODTOOLS,6.25 PIPE 57518334

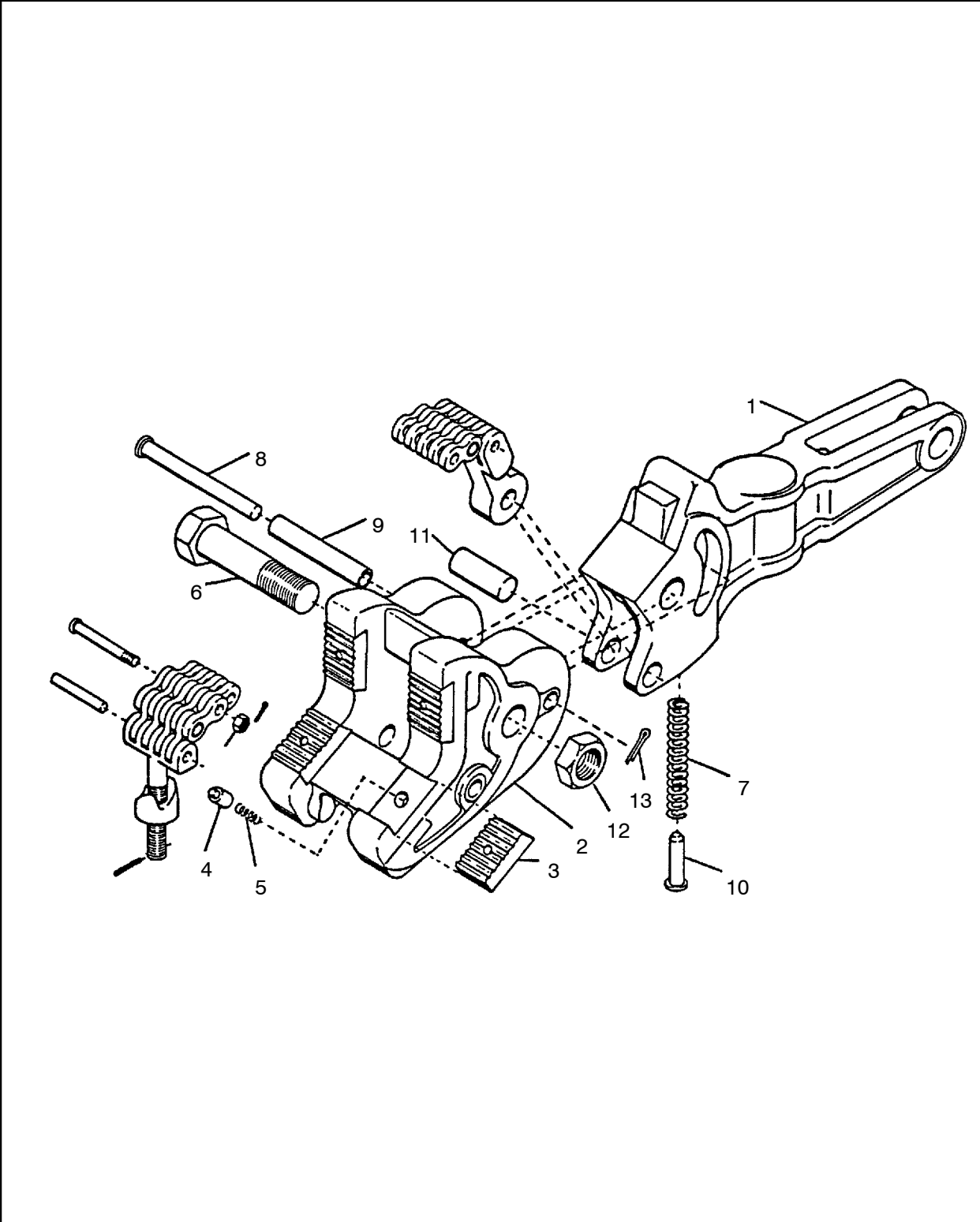


Figure 307 :TONG ASSY-W/FLAT INSERTS
W287976 REV 004

50021120 TONG ASSY-W/FLAT INSERTS

REF.	PART NO.	QTY.	UNIT	DESCRIPTION
001	50209675	1	EA	HANDLE, CHAIN TONG
002	50021187	1	EA	JAW-CHAIN TONG
003	50024397	4	EA	INSERT,JAW-FLAT
004	50024389	4	EA	KEY,INSERT-CHAIN TONG
005	50024371	4	EA	SPRING, CHAIN TONG
006	50014414	1	EA	BOLT,JAW-CHAIN TONG
007	50021229	1	EA	SPRING, CHAIN TONG
008	50024512	1	EA	PIN,SPRING-CHAIN TONG
009	50021237	1	EA	BUSHING,CHAIN TONG
010	50209501	1	EA	GUIDE,SPRING-CHAIN TONG
011	50021202	1	EA	PIN,HANDLE-CHAIN TONG
012	95076907	1	EA	NUT,HEX,JAM
013	95002697	1	EA	PIN, COTTER

RODTOOLS,6.25 PIPE
 57518334

50021138 CHAIN ASSY

RODTOOLS,6.25 PIPE 57518334

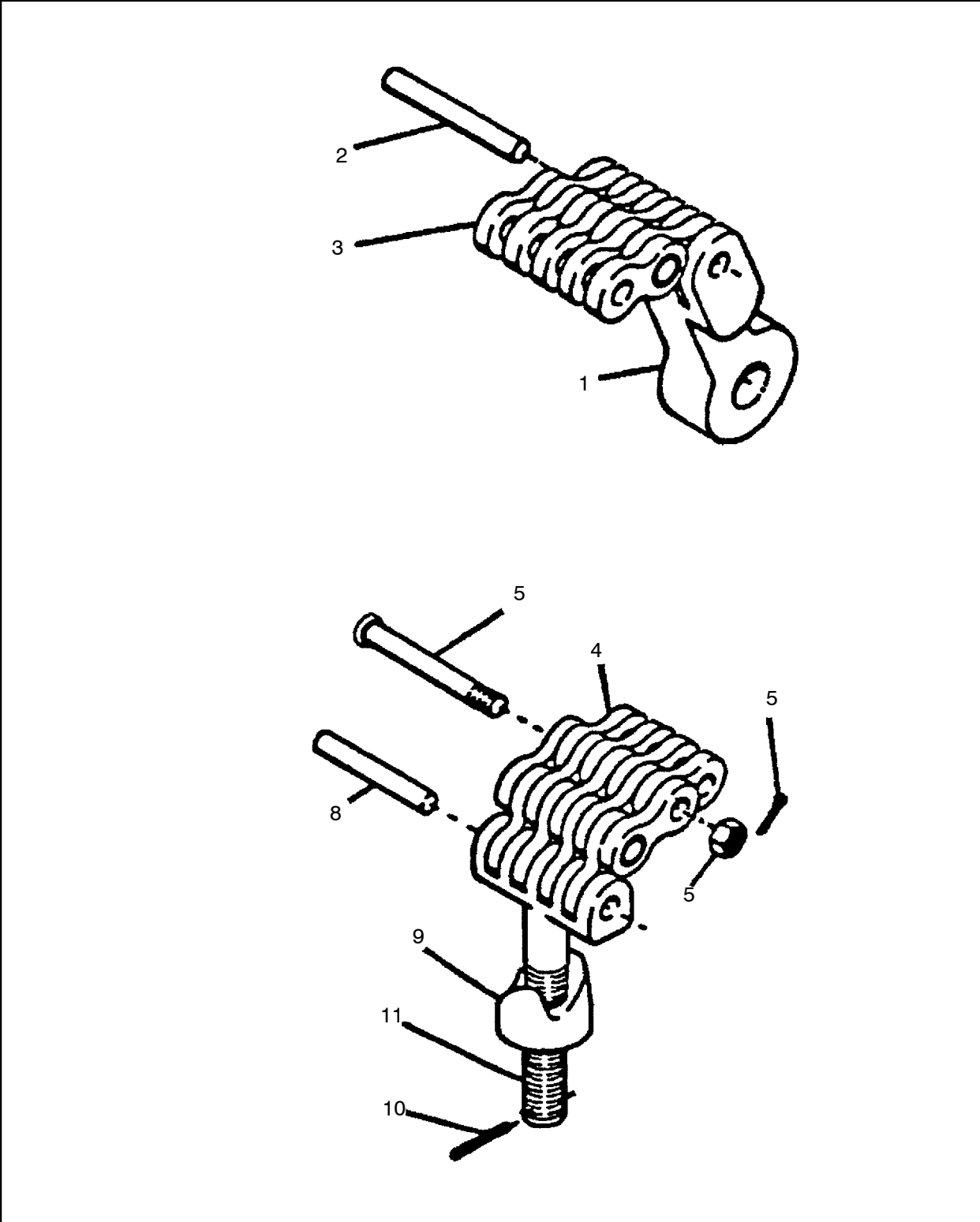


Figure 308 :CHAIN ASSY
D293175 REV 004

50021138 CHAIN ASSY

REF.	PART NO.	QTY.	UNIT	DESCRIPTION
001	50024447	1	EA	LINK,MAASTER
	57082349	1	EA	● - BURNOUT
002	50021195	1	EA	PIN
003	50021393	1	EA	CHAIN,MASTER
004	50021377	2	EA	CHAIN SECT-2 LINKS
005	58229790	2	EA	BOLT AND NUT
008	50021195	1	EA	PIN
009	50021161	1	EA	NUT
010	95033932	1	EA	PIN,ROLL
011	50021153	1	EA	SCREW,CHAIN
	57082331	1	EA	● - BURNOUT

RODTOOLS,6.25 PIPE
 57518334

50245281 GUN,BLOW – WITH 25' HOSE

RODTOOLS,6.25 PIPE 57518334

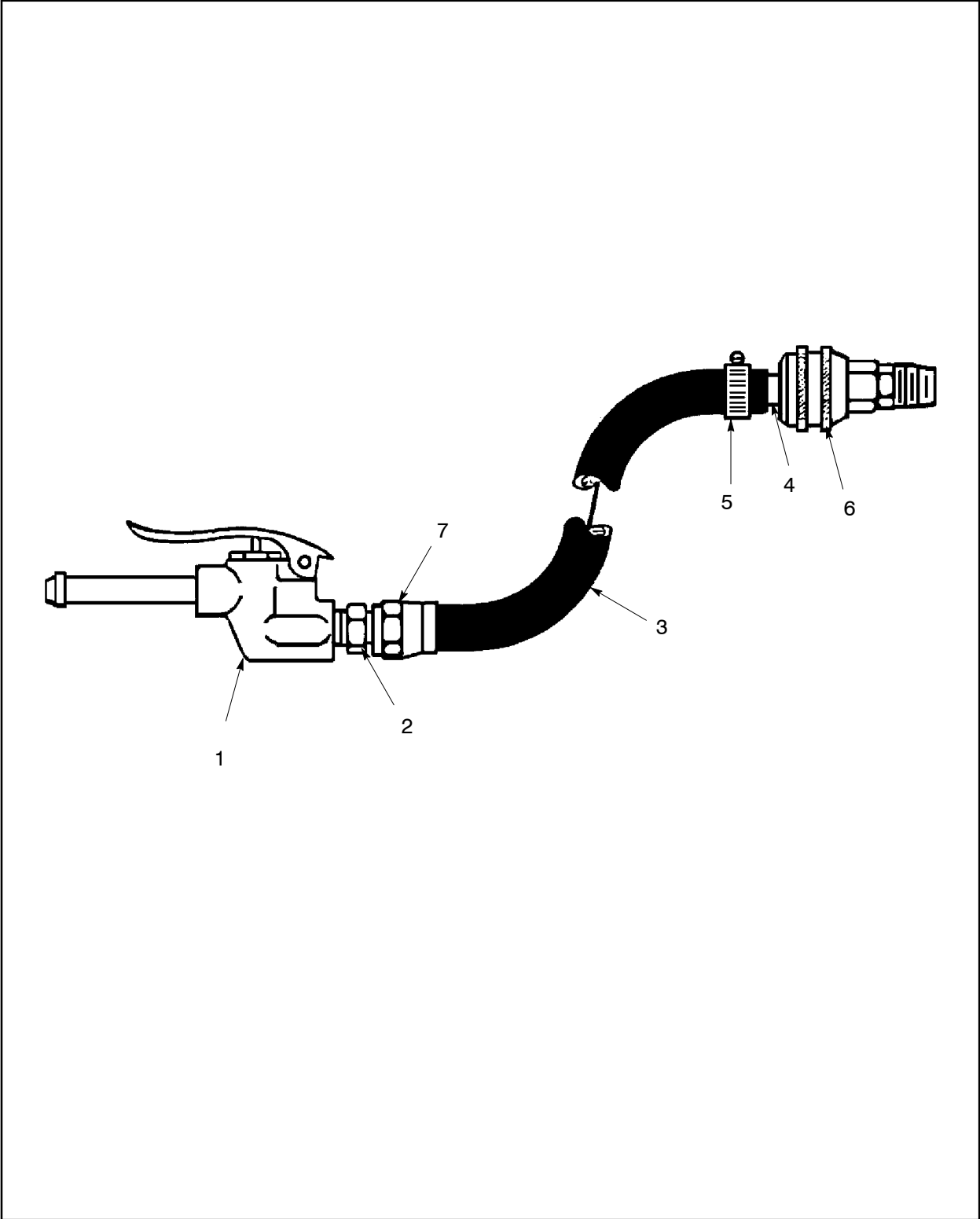


Figure 309 :GUN,BLOW – WITH 25' HOSE
B294839 REV 004

50245281 GUN,BLOW – WITH 25' HOSE

REF.	PART NO.	QTY.	UNIT	DESCRIPTION
001	50067131	1	EA	BLOW GUN D
002	95316972	1	EA	CONNECTOR,MALE,37 DEG
003	57053183	300.00	IN	HOSE,HYD – A06 BULK
004	50245299	1	EA	CONNECTOR, HOSE
005	95220844	1	EA	CLAMP,HOSE
006	50245307	1	EA	COUPLING,QD
007	59506436	1	EA	FITTING,HOSE

RODTOOLS,6.25 PIPE 57518334

ACCESS7592 ACCESS

ACCESS
7750

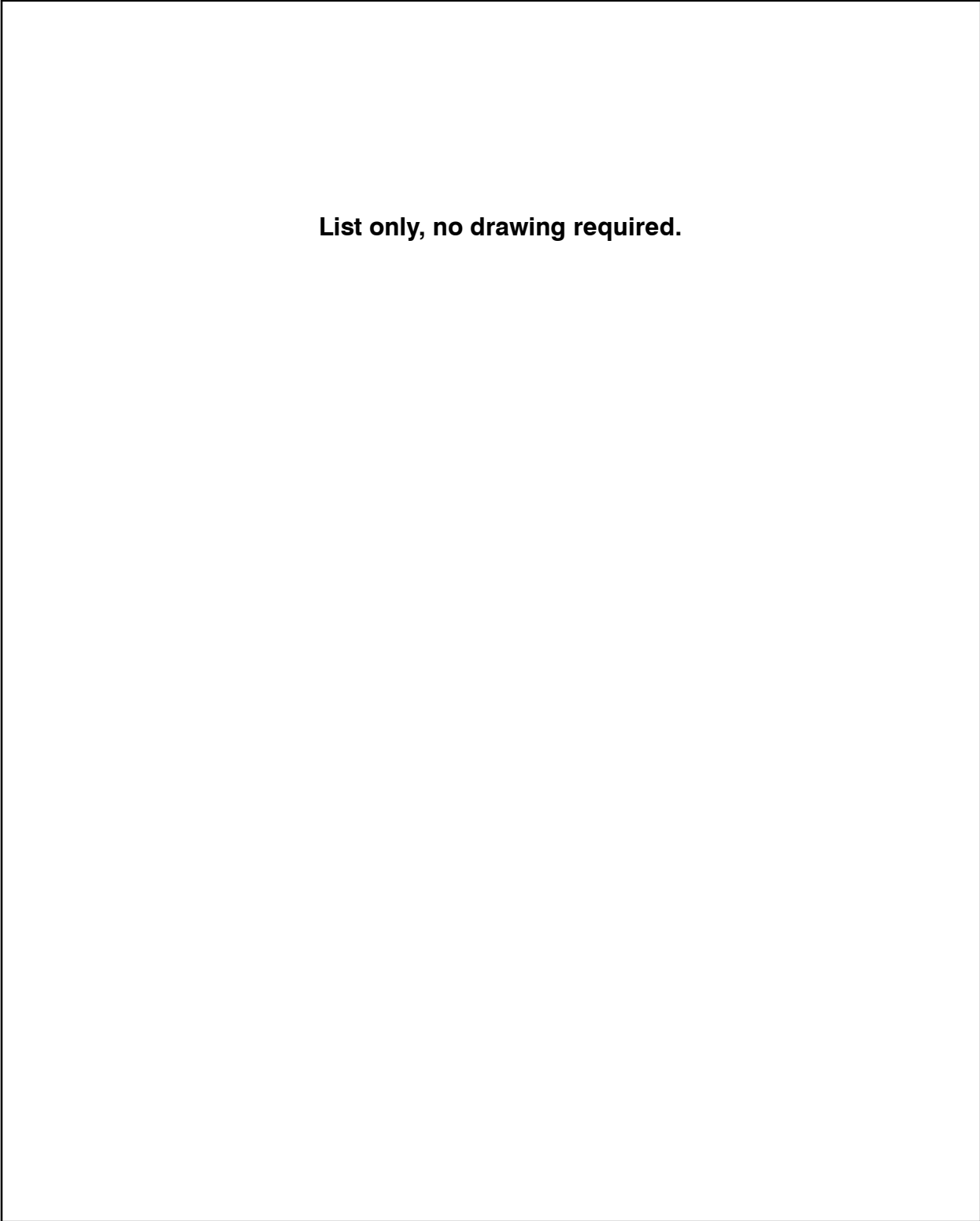


Figure 315 :ACCESS
NONE REV 000

ACCESS7778 ACCESS

REF.	PART NO.	QTY.	UNIT	DESCRIPTION
001	57199200	1	EA	BUSHING,CENT-BARBER 7
003	57252983	1	EA	CHUCKDETACH-9.88 TRICONE
004	57178881	5	EA	DRILL ROD-7 X30'/4.5BECO
006	NEWPART	1	EA	NEW PART NO. REQUIRED

ACCESS
7750

Index

A

A/C RADIATOR ASSY, 57524332, 204
ADAPTER
1-1/2 PVC, 57427148, 420
1/4", 39417118, 271
50691690, 355
52245461, 171
56950561, 368
57438483, 356
57552242, 29
57552929, 29
90DEG-O-RING/JIC
95330692, 274 , 340 , 341 , 427
95365094, 134
95366001, 160
95371209, 356
95376133, 356
90DEG-ORING/JIC, 95357604, 356
95286563, 507
95293353, 107
95387346, 264
95650149, 173
95650156, 390
95660601, 272
95702619, 274
CHAIN, 57407017, 117
HYDRAULIC MOTOR, 57572950, 152
INPUT, 50597640, 332
JACK-LONG, 57116758, 362
JACK-SHORT, 57116766, 362
MIDDLE-7.63 PIPE
57562712, 568
57562720, 568

57564650, 568
MOTOR, 57368052, 171
PUMP D, 50597632, 332
SAE, 52209913, 390
SAE B, 59572917, 332
SAE C, 50597624, 332
SAE-20 X 16, 57219420, 378
SPINDLE-5.25 BECO, 56268527, 156
SPLIT FLANGE, 57213308, 163
STR, JIC/O-RING, 95356978, 160 , 228 , 396
STR.-JIC/O-RING, 95371241, 356
STR-12-6SJIC/ORG, 51021764, 396
STR-JIC/O-RING, 95303368, 340 , 350 , 400
STRAIGHT, 57069023, 264
TEE, 57491441, 284
ADAPTER-90DEG, ORING/JIC, 95376141, 375
ADHESIVE, 56784267, 153 , 193 , 257
AIR CONDITIONER, ASSY, 57554644, 73
AIR DUCT, ENGINE, 57473431, 217
AIR END-LOW PRESSURE, 35098052, 247
AIR FILTER - 06, 57496564, 217
AIR FILTER - 08, 57496556, 217
AIR VENT, 50718170, 431
ALARM
BACKUP-12 TO36VDC, 57366387, 413
DIRTY FILTER, 50815646, 348
ANCHOR CABLE, 57213365, 163
ANCHOR D, 50105832, 50 , 54
ANGLE
57014672, 413
57090763, 200

INDEX

Index

INDEX

57455834, 524
57499196, 368
57591430, 462
MOUNTING–CHECKVLV, 57481483, 368
ANGLE–FUEL COOLER MTG, 57481541, 96
ANGLE–WITH HOLES, 57549024, 484
ANTI–FREEZE, 50262526, 202
ARM
ADJUSTABLE, 57194987, 372 , 473 , 540
JIB HOIST FIXED, 57431488, 160
LOWER
ASSEMBLY, 57594566, 145
FABRICATION, 57594533, 145
ROD SUPORT, DMC TWR, 56250038, 473
UPPER, 57552077, 145
WIPER–20, 57541146, 562
WIPER–28, 57541153, 562
ARMREST KIT – SEAT, CAB, 57561854, 73
ASSEMBLY, UPPER ARM, 57552044, 145
ATOMIZER–STARTING FLUID, 57301863, 230

B

BACK CAP, 57341398, 486
BACK UP RING, 57192130, 329
BACK–UP
57520850, 52 , 56
57520876, 52 , 56
57520918, 52 , 56
57520934, 52 , 56

BALL

52155371, 322 , 452

54479969, 58
CHECK (1/4), 57213514, 166
STEEL, 50806488, 434
BALLAST, HPS, 56997950, 417
BAND
50266832, 197
MOUNTING, 58044744, 217
MOUNTING–AIRCLEAR, 50279413, 217

BAR

COPPER, 57036881, 420
FLAT
56901853, 22
57003634, 160
57038549, 118
57106536, 146
57235079, 462
57535064, 473

ROUND, 57093197, 390
SQUARE

56998164, 117 , 152
57009193, 428
TAPPED

57028540, 523
57054991, 380 , 463

BAR FLAT

1X3.50X15.50, 57389694, 393
1X3.50X8.00, 57412439, 146
3/8 X 3 X 14.75, 57389686, 393
3/8 X 3 X14.75, 57389686, 160

BAR SUPPORT, CURT FRAME, 57577074, 463

BARREL & SLEEVES, 54408232, 318

BARREL/AUX SHAFT ASSY, 54408190, 316

BARREL/SHAFT/CRADLE ASM, 54408646, 288

BASE

57213043, 162

Index

FAB–SLIDING BRKOUT, 57443939, 183	BEARING ROLLER, 57212961, 162
WATER INJECTION, 52153087, 427	BEARING, BALL, 50632538, 329
BATTERY, 12V–8DW/ELECTROL, 57113177, 209	BLADE
BEARING	WIPER, 28, 57541138, 562
52154739, 310	WIPER–20, 57541120, 562
52154796, 306	BLOCK
52155041, 314	52201852, 310
52201795, 300	57198921, 183
52209939, 172	57205288, 540
54407317, 288	6MM COMPONENTELEC, 57429714, 421
54416300, 295	FLANGE
57437055, 252	57213936, 173 , 284
95200663, 332	57546020, 271
95214037, 171	GUIDE, 52147543, 117
95434874, 171	MANIFOLD, 57024044, 341
95758595, 152	PIVOT, SPLIT/RC, 57594525, 145
BALL	UK10 TERMINAL, 57443525, 413 , 420
50717974, 431	UK16N TERMINAL, 56253792, 413
52179504, 448	VALVE, 57520967, 52 , 56
57553463, 29	VALVE TERMINAL, 54406046, 350
58194945, 153	BLOCK–PIVOT ASSY–L.H, 57423014, 124
FRAME IDLER, 57457541, 38	BLOCK–PIVOT ASSY–R.H., 57423006, 124
NEEDLE, 50815802, 448	BLOCK–PIVOT–LOWER, 57422974, 126 , 128
ROLLER	BLOCK–PIVOT–UPPER L.H., 57422990, 128
52221231, 162	BLOCK–PIVOT–UPPER R.H., 57422982, 126
95434551, 171	BLOCK–PORT, 52204815, 308
95434569, 171	BLOW GUN D, 50067131, 574
SPHERICALROLLER, 95711156, 171	BLOWER ASSEMBLY, 57516379, 80
TAP ROLLER	BLOWER ASSY W/O MOTOR, 57554818, 80
57553117, 28	BOARD
57553125, 28	SENTRY PROCESSOR, 57530453, 512
BEARING ASSY, 50243518, 146	SENTRY PWR SUPPLY, 57530461, 512
BEARING BALL, 57213084, 162	

Index

INDEX

BODY	57553356, 29
1 INLET, 3 OUTLETS, 57341356, 486	STRIKER, 57540973, 72
54426242, 448	TRACK, 57417982, 24
CARTRIDGE, 54479944, 58	BOLT AND NUT, 58229790, 568 , 572
EH STROKER, 54409719, 295	BOLT KIT, 51076271, 346
FORCE MOTOR, 54409131, 302	BOLT – RODCUP, UNF – THD., 57562670, 568
BODY ASSEMBLY, UPPER, 50816404, 222	BOLT – SOCKETHEAD
BOLT	57356701, 36
50815638, 360	57356875, 40
52221355, 162	BONNET, SCREW, 57341380, 486
52263563, 358	BOOT
57355026, 24	OEM PUSH BUTTON, 57438772, 107
57356479, 24	RUBBER, 57020083, 107
57356511, 32 , 34	BOX
57356776, 24	1 – HOLE PENEDENT, 57170730, 546
57457160, 24	1/2 STONCO, 52175809, 420 , 490
57457558, 24	3/4 STONCO, 52240397, 420 , 421
57457772, 46	BATTERY, 58231887, 209
57457814, 24 , 25	CAST, 52142841, 102
57457855, 25	CENTRAL TEST STATION, 57597981, 544
ADAPTER, 57367310, 332	ELEC ASSY – 24X20X8, 57549933, 413
BASE MG, 57100513, 206	ELEC ASSY – 8X6X3.5, 57549941, 413
BASE MTG, 1 – 8UNCX6”, 57474629, 206	ELEC.JIC, 57032963, 514
CHAIN, 50339043, 117	HANDY, 50625888, 102
HEX HEAD	QUICK FILL, 57193765, 555
57437071, 252	SWITCH, LIGHTS, 57620247, 417
57552556, 28	BRACE, REAR MUFFLER MOUNT, 57231268,
57552879, 29	197
57552911, 29	BRACKET
57553562, 29	52227154, 284
JAW – CHAIN TONG, 50014414, 570	52231818, 257
SOCKET HEAD	52245578, 284
57552853, 29	56970601, 341
57553257, 28	

Index

57071383, 507	LUBE CAN–35LB, 57469140, 484
57071391, 509	MICRO SWITCH, 57391641, 372 , 540
57071409, 507	MOUNTING
57071417, 507	52106630, 76 , 78
57097941, 96	52208691, 183 , 393 , 405 , 473
57217655, 257	57537490, 366
57315657, 390	MOUNTING–AMOT, 57139982, 265
57389678, 212	MTG, SIDE DECK, 57588535, 10
57396996, 234	MTG (150W HPS), 57619645, 417
57452013, 217	MTG (150W MV), 57619637, 417
57455966, 14	MTG (175W MV), 57619611, 417
AIR CLEANER, QSK, 57547879, 217	MTG BRKR BOX ASM, 57615619, 110
AIRCLEANERSUPPT, 57547911, 217	MTG–6 SPOOL VLV, 57536567, 396
ARM MTG, ROD SUPT, 56250020, 473	MTG–9 SPOOL VLV, 57536542, 400
BATT.SELECTSWTC, 57379992, 501	MTG–CENTRO LUBE, 57518003, 509
CABLE GUIDE, 57446270, 117	NOZZLE, 57389587, 484
COOLER MTG., 57491078, 241	OIL, 52235363, 188 , 356
CYL.CLAMP, 57591398, 462	REMOVABLE GEAR, 57229106, 153
CYLINDER MTG, 57589384, 462	REMOVABLEGEARBOX
DR/PR VALVE, 57341414, 350	57216780, 152
ELEC BOX 24X20, 57549503, 413	57229098, 153
EXP VALVE MTG, 57554743, 88	57229114, 153
FILTER	SWING CYLINDER, 57406050, 145
56244148, 264	SWITCH, ROD SUPT, 57541245, 473
57361578, 341	THREAD GREASER, 57548034, 484
FRAME, CAB SIDE, 57591406, 462	VALVE, 50429455, 370
FRAME D/C SIDE, 57591422, 462	WIGGINS MTG, 57579450, 551
GREASE FITTING, 57559387, 22	BRACKET – HOSE TRAY, 57390171, 390
HORN INSTL, 57536559, 548	BRACKET–CONDENSOR, MTG, 57549040, 96
HORN MOUNTING, 56243033, 548	BRACKET–COOLER FAN MOTOR, 57471088, 202
HOSE ELEC, 56244684, 173	BRACKET–ELEC BOX, 8X6, 56257553, 413
HOSE TRAY, 57390262, 390	BRACKET–FUEL FILTER, 56244007, 232
LIMIT SWITCH, 57359176, 393	

Index

INDEX

BRACKET-HOSE, ROTARY HEAD, 57559577,
173

BRACKET-WRENCH CYL MOUNT, 57391104,
405

BRAKE, DISC, 57212896, 162

BRAKE VALVE ASSEMBLY, 57213274, 163

BREAKER

CIRCUIT-15 AMP, 57084055, 96 , 107 , 532

CIRCUIT-20 AMP, 57091274, 107

CIRCUIT-5 AMP, 57117848, 107

BREATHER

50903236, 355

59677831, 332

DIESEL CAP, 57538522, 551

FILTER-3MICRON, 57441941, 228

BRG, RLR, RTNR, 57339855, 163

BRIDGE, ELEC. INSULATED

57435034, 420

57435075, 421

BRKT

COMPRESSOR MTING, 57295313, 247

CYL MTG-ROD SUPT, 57423782, 473

MODIFY-HOT START, 57474363, 237

BULB-DOMELIGHT, 57561847, 73

BUSHING

50412626, 117

50628726, 422

50628734, 523

54409842, 295

57054595, 152

57267304, 145

58167024, 202

CENT-7.63 ROD, 57225526, 568

CENTER, 57180184, 22

CHAIN ANCHOR, 50702927, 117

CHAIN TONG, 50021237, 570

CONDUIT, 50625839, 422

CONDUIT-3/4, 50625847, 422

INDEX MOTOR

57570772, 153

57570780, 152

METRIC TO JIC, 57405151, 375

REDUCER, 59551242, 332

REDUCING-.75X.50, 95256863, 421

ROD CHUCK-STEEL, 57083479, 568

WEAR, 50694934, 172

YOKE END, 57309791, 22

BUTTON, SPRING, 57341224, 486

C

CAB, EXTD-ELEC/HYD, 56246077, 63

CABLE

1/2 19X19 BULK, 57377392, 160

57261927, 92

BATTERY, 30441570, 209

BATTERY-2/0, 56770001, 501

BATTERY-NEG-115, 57497471, 209

BATTERY-POS-115, 57497463, 209

CONTROL, 57537607, 257

DATA, 10', DM-1, 57563512, 532

DM-1A POWER, 57524720, 532

DOWNLOAD INTERFACE, 57522492, 532

ENCODER TO TWR BOX, 54414552, 532

GROUND-1/0 X 36, 52246519, 193

HOSE RESTRAINT, 57358145, 278 , 390

KEYBOARD INTERFACE, 57525131, 532

Index

ROTATION BOX INPUT, 57524951, 532	CROSSHEAD– REAR JACK, 57396111, 54
ROTATION OUTPUT, 57524944, 532	DATALINK– QSK/CELECT, 57482655, 107
STARTER JUMPER, 57412710, 193	END, 58249608, 22
UTILITY PANEL DNLD, 57525107, 532	HYD RECEIVER, 50695998, 555
UTILITY PANEL HHT, 57525032, 532	JIC–6, 95257341, 276
UTILITY PNL KEYBRD, 57525115, 532	PROTECTION, 57341315, 486
UTILITY PNL LIGHTS, 57525123, 532	SPINDLE– SPUR HEAD, 57347379, 172
UTILITY PNLDISPLAY, 57524936, 532	SWIVEL, 57183329, 172
WATER VALVE, 57554792, 86	WEATHER, 50469238, 197
CABLE ASM, DUST CURTAIN, 57594517, 462	CAP ASSY, 57550014, 145
CABLE ASSEMBLY, 57403586, 180	CAP REPLACEMENT, 57406019, 145
CABLE ASSY	CAPSCREW
BATTERY, 50623727, 212	57192023, 329
NEG–2/0AWG, 80, 57474686, 209	57213357, 163
POS–2/0AWG, 64, 57474694, 209	SOCKET HEAD
CABLE ASSY–FOR 35’TOWER, 57422917, 122	57213324, 163
CABLE CONNECTOR–12V, 56256613, 498	57213332, 163
CAM RING	CAPSCREW HEX HD
57192080, 329	57213159, 162
57392896, 329	57213167, 163
CAM RING ASM, 52233194, 448	CAPSCREW M16X140 GR 8.8, 96704036, 268
CAM STROKER ASSY, 57123283, 320	CARRIER
CANNISTER, 92473297, 230	OUTOUT PLANET, 57212995, 162
CAP	PLANET
50067479, 427	57552986, 28
50173467, 50	57553299, 28
50268986, 204	57553406, 29
50695964, 555	CARRIER PRIMARY PLANET, 57212938, 162
57045494, 329	CARRIER ROLLER GROUP, 57457566, 24
BEARING, 57191025, 171	CARTRIDGE ASSEMBLY
COVER, 57070849, 507	54529060, 329
	57053522, 329
	CASE, 50718055, 431

INDEX

Index

INDEX

CASTING	CHECK VALVE
RAW–HOUSING R.H, 57395436, 176	.25NPT, 57552275, 428
SHEAVE, 57396236, 117	57150617, 322
SWIVEL CAP, 57184020, 172	CHUCK, ROD–7.63 PIPE, 57562662, 568
CASTING–ADAPTER, CHAIN, 57562548, 117	CLAMP
CHAIN, LOWER, 52224722, 122	5.5 OD FEED CYL, 57315806, 122
CHAIN ASSY, 57129090, 568	52154887, 310
CHAIN WRENCH 7–1/4 8–1/4, 57226151, 568	54409818, 295
CHAMBER	6.75 EXHAUST, QSK, 57481970, 197
50817113, 220	CABLE
52144276, 431	56804750, 160 , 180
CHANNEL	58060179, 462
57051740, 417	CONSTANT TORQUE
57051757, 417	57439267, 217
DUCT, 56954852, 421	57440547, 217
WIRING DUCT, 57472839, 421	57440570, 217
CHANNEL W/HOLES, 57296972, 443	DRIER AIR COND., 57095515, 96
CHARACTER	HALF, 50034818, 132
WIRE SLEEVE 0, 57471344, 420	HOSE
WIRE SLEEVE 1, 57471351, 420	50034826, 380 , 382 , 405
WIRE SLEEVE 2, 57471369, 420	50743731, 390
WIRE SLEEVE 3, 57471377, 420	57018665, 443
WIRE SLEEVE 4, 57471385, 420	58051095, 268
WIRE SLEEVE 5, 57471393, 420	58208851, 200
WIRE SLEEVE 6, 57471401, 420	95220844, 574
WIRE SLEEVE 7, 57471419, 420	95301834, 548
WIRE SLEEVE 8, 57471427, 420	95301842, 202 , 509
WIRE SLEEVE 9, 57471435, 420	95301859, 193 , 508
WIRE SLEEVE A, 57471443, 420	95301883, 428
WIRE SLEEVE B, 57471450, 420	95322871, 523
WIRE SLEEVE– E, 57522443, 420	95371092, 193
CHASSIS CONNECTOR– 12V, 56256621, 498	95378873, 413 , 508
	95396768, 523
	95445664, 508
	95457586, 509

Index

PIPE–3", 56977150, 200	COMPRESSOR, W/ORING PORTS, 57364341, 96
STANDPIPE – TOWER, 57390254, 390	CONDUIT
STANDPIPE–TOWER, 57390270, 390	1 SPLIT NYLON, 57358848, 524
CLAMP ASSY	3/8 NYLON, 57358830, 230 , 524
1–1/4 PIPE, 57092728, 390	FLEX–1.5 SEALTTE, 57029852, 523
1/2	FLEX–1/2, 95333209, 546
52236783, 523	FLEX–1/2SEALTITE, 95245049, 509 , 523 , 524
56999964, 546	NYLON–5/8, 57017915, 524
1/2", 52236783, 495 , 540	CONE, 52155686, 324
56938871, 200	CONE–DROPOUT, 57248775, 446
CLAMP HOSE, 95279832, 99	CONNECTOR
CLAMP–1/2, 95256723, 421 , 536	1 45 DEG, 95482451, 108 , 421
CLAMP–12 CAGE, 57399941, 197	1.5 X 45 DEG, 95361853, 422
CLAMP–3/4, 95256749, 421	1/2 45 DEG, 95368536, 421 , 546
CLEVIS ASSEMBLY, 57550006, 145	1/2 90 DEG, 95361390, 421 , 509
CLOSURE, CABLE DRUM, 57339806, 162	2–WAY, 57387904, 421
CLUTCH, 56909930, 96	2–WAY FEMALE, 59854943, 421
COIL	3–WAY
CONDENSER, 57364358, 96	FEMALE, 59895151, 209 , 421
HEATER, 57554776, 86	MALE, 59356907, 421
COIL & MAGNET, 54409214, 302	3/4 90 DEG, 95318457, 421
COIL & SPIDER, 54409263, 304	54409446, 302
COIL ASSY	54409909, 295
57554651, 80	56991193, 509
HTR, 57554669, 80	56992191, 509
COLLAR	57086332, 193
57457657, 42	95333407, 523
RETAINING, 57546335, 174	BUTT, 58176041, 501
COMPOUND	CORD GRIP
COLDWELDING–JB, 57521627, 247	50625946, 443
SILICONE, 50700731, 173	56263452, 421
	HOSE, 50245299, 574
	STRAIGHT–1.5, 95333266, 523

Index

INDEX

- STRAIGHT – 1/2, 95245221, 421 , 523
- CONNECTOR DATA LINK DUETSCH, 57482523, 107
- CONTROL, ROTARY SERVO, 57480105, 295
- CONTROL CHAMBER, 54408364, 322
- CONTROLLER
 - DUAL AXIS, 57502031, 107
 - LEVER, 57500324, 108
 - PUMP, 57389561, 107
 - REMOTE PROP., 57338238, 107
 - ROTARY PROP, 57338279, 428
 - ROTARY PROP., 54498357, 364
 - SENTRY MONITOR, 57530446, 512
- CONTROLLER – PUMP, 57400350, 107
- CONTROLLERS, GOV & TIMERS, 54498357, 108
- COOLER
 - COMPRESSOR OIL, 57524266, 204
 - FUEL, QSK19 ENGINES, 57472698, 241
- COOLER ASSY, HYD OIL, 57524316, 204
- COOLER – SPACER, 57491037, 202
- CORD, 14/2, 58150103, 443
- COUPLER, 57552978, 28
- COUPLING
 - 57381758, 247
 - 95446563, 488
 - BREATHER DIESEL, 57538530, 551
 - QD, 50245307, 574
 - QUICK DISCONNECT, 57434110, 276
- COUPLING ASM, 50463868, 427
- COUPLING ASSY, 57351108, 153
- COVER
 - 1.5, 95414058, 420 , 523
 - 1/2, 95344818, 420 , 421
 - 3/4, 95344826, 420
 - 36756252, 250
 - 50333699, 145
 - 50928175, 176
 - 52155322, 322
 - 52231008, 176
 - 57054611, 152
 - 57151144, 290
 - 57552812, 29
 - BATTERY, 57143505, 209
 - CONTROL, 52155330, 322
 - DRUM & TIE DN ASSY, 57420101, 512
 - DUCT, 56954860, 421
 - FTG/90514L, 56988728, 306
 - HANDY BOX FOR RECPT, 50625896, 102
 - RECPT – BATTERY CONN, 57007429, 501
 - RING GEAR, 57553273, 28
 - STEP, 57534927, 342
 - TERMINAL BLOCK END, 57429730, 420
 - TOP, 57054629, 152
 - VALVE – 9 SPOOL, 57536997, 400
 - VALVE – 6 SPOOL, 57537003, 396
 - WIRING DUCT, 57472847, 421
- COVER ASSY
 - 57457780, 46
 - 57457798, 46
- COVER – CARRIER ROLLER, 57356834, 40
- CRADLE, 52203718, 322
- CRANKSHAFT, 50708890, 431
- CROSS KIT, 57227787, 188

Index

- CROSSHEAD, 50718048, 431
- CUP, DUST
 - 56903586, 220
 - 56921174, 222
- CURTAIN
 - DUST–LOWER, DML, 57589277, 463
 - DUST–MIDDLE, 57572687, 463
 - DUST–PIVOT, ANG, 57591497, 463
 - DUST–REAR, ANG, 57591505, 463
 - DUST–SIDE, 57572711, 463
- CYL RETAINER, 52233954, 405
- CYLINDER
 - 57457368, 32 , 34
 - AIR, 57057580, 257
 - HYD–TWR RAISE, 54578539, 134
 - HYDRAULIC
 - 57039638, 405
 - 57199093, 145
 - 57423808, 473
 - 57488827, 122
 - 57498297, 183
 - 57531626, 393
 - WATER PUMP, 50615871, 431
- CYLINDER BRAKE, 57213050, 162
- CYLINDER HYDRAULIC, 57488868, 50 , 54
- CYLINDER–HYD, DUSTCURTAIN, 54418991, 462
- D**
- DECAL
 - AC/HTR, ELEC CAB, 56246689, 580
 - BELOW DECK LIGHTS, 57619561, 417
 - CAUTION–EXCESSOIL, 57140477, 585
 - COMP FN–ELEC CAB, 56246630, 580
 - CORP. NAMEPLATE, 57497927, 595
 - CORPORATENAMEPLATE, 35861269, 595
 - DANGER–HAZ. VOLT., 57311086, 585 , 586
 - DML – RH, 57215311, 595
 - DRAIN MANIFOLD, 50829712, 355
 - DRILL FN–ELEC CAB, 56246655, 580
 - DRILL LIGHTS, 57619546, 417
 - ENG.FAILURECOOLSY, 57140444, 585
 - ENGINE FN–ELEC CAB, 56246622, 580
 - FEED CNTRL, ELEC CAB, 56246663, 580
 - GAUGES, ELEC CAB, 56246614, 580
 - HYD TEST STATION, 57598377, 544
 - HYD.OIL LEVEL, 50810993, 355
 - HYDRAULIC OIL, 52223807, 356
 - IR LOGO–RED, 57362378, 595
 - NOTICE
 - 57345878, 585 , 586
 - 57377236, 588
 - NOTICE–DUST, 57335200, 585 , 586
 - NOTICE–HYD.FAILURE, 57156465, 585 , 586
 - THREAD GREASER, 56260342, 484
 - TRAM FN–ELEC CAB, 56246648, 580
 - TRAM LIGHTS, 57619553, 417
 - VENT MANIFOLD, 50829704, 355
 - WARNING, FLUID SYS, 57185357, 488 , 490
 - WARNING–DON'TALTER, 57310831, 585 , 586
 - WARNING–FALL DRLPI, 57140378, 585 , 586
 - WARNING–FALL PWRHD, 57140329, 585
 - WARNING–FALLCAROUS, 57140386, 585
 - WARNING–FALLDERRIC, 57140360, 585
 - WARNING–FANBLADES, 57335192, 585 , 586

INDEX

Index

- WARNING–HIGH PRESS, 57140352, 585
 - WARNING–HIGHPRESS, 57140428, 585
 - WARNING–HOT FLUID, 57140402, 585
 - WARNING–NOCLIMBNG, 57318040, 585 ,
586
 - WARNING–POWERHEAD, 57140410, 585
 - WARNING–ROT.BLADE, 57140469, 202 , 585
 - WARNING–ROTATINGPT, 57140337, 585
 - WARNING–VOLTAGE, 57252009, 470 , 488 ,
490
 - DECAL & MANUALSET–DM45/5, 57404295,
585
 - DECAL DML–LH, 57215378, 595
 - DECAL.EMERGENCY STOP, 57608960, 546
 - DECALWARNING–COMBUST.GAS, 57140394,
585
 - DECALWARNING–ROTAT.PARTS, 57140345,
585
 - DECKING
 - DML, 57546004, 6
 - FRONT–CS, DML, 57471948, 6
 - FRONT–DCS, DML, 57471914, 6
 - REAR DM45/50/L, 57590796, 10
 - REAR–CS, DML, 57471930, 6
 - SIDE DM45/50/L, 57590788, 10
 - DIAPHRAGM
 - STAINLESS STL, 57341273, 486
 - YOKE ASSY, 57341083, 486
 - DIODE, 3A, 600V, 57196677, 421
 - DIPSTICK, 59515007, 332
 - DISC 25, 57242588, 148
 - DISC FRT FBR, 52221645, 162
 - DISCONNECT, 57167132, 355
 - DISPLAY, DIGITAL COLOR, 57543449, 532
 - DOMELIGHT–ROOF, 57561839, 73
 - DOOR ASSY – TOWER SIDE, 57561664, 72
 - DOOR ASSY– CURB SIDE, 57561656, 72
 - DOWEL PIN, 50604479, 295 , 329
 - DRAIN KIT, 57010795, 446
 - DRIER, RECEIVER, 57364366, 96
 - DRILL PLUG, 57244972, 52 , 56
 - DRILLING MONITOR, 57568289, 523
 - DRIVE
 - 50907104, 434
 - 52249885, 434
 - PUMP–3 HOLE, 57352544, 284
 - DRIVE GROUP, 57457178, 24
 - DRIVE SHAFT, 57368524, 188
 - DRIVE SHAFT & BEARING, 54407309, 288
 - DRUM CABLE, 57339798, 162
 - DUST COLLECTOR, 7SB, 57440828, 443
 - DUST SEAL, 57614315, 576
 - DWG, STOP LOC.–GEARINDEX, 57368102,
146
- ## E
- ELBOW
 - 1–5/16–12–16 JIC, 35291384, 250
 - 45 – 6, 35279835, 250
 - 57213282, 163
 - 57213316, 163
 - 59551275, 332
 - 90 DEGREES
 - 35283068, 250

Index

35287937, 250
 90–3IN, 95040333, 271
 90DEG MALE 37DGFL, 95279402, 237 , 260 ,
 264
 90DEG–EXT/INT NPT
 95264891, 99 , 272 , 274
 95264909, 274
 95644241, 260
 95280004, 271
 95286910, 173
 95303350, 427
 FLEX W/FLANGE, 57471864, 197
 RUBBER, 52277431, 217
 RUBBER–3, 57555740, 90
 RUBBER–45 DEG, 57176141, 217
 ELBOW ST 90, 52221488, 163
 ELECT. CONN, 4 WAY, MALE, 58814419, 422
 ELECT. PKG. –SWITCH, 57412132, 230
 ELEMENT
 10–MICRON FILTER, 52263209, 590
 57170839, 265
 BUSHING, 50815653, 348
 FILTER
 54409925, 295
 57065534, 264
 FILTER–3 MICRON, 50343490, 348
 FILTER–MAIN HYD, 52263183, 360
 FLTR, 52263191, 590
 FLTR–3 MICRON, 50343490, 590
 FLTR–MAIN HYD, 52263183, 590
 HEATER, 54507983, 488
 PRIMARY
 50616424, 222
 52146958, 220
 RUBBER AC 5SN, 57565103, 247
 SAFETY
 50616416, 222
 52146966, 220
 SEP 7 LAYER, 57546145, 271
 STRAINER, 57520223, 264
 ELEMENT ASSY, 56958945, 446
 ELEMENT–AIR CLEANER, 59860841, 90
 ENCODER, OPTICAL ROTARY, 57525172, 532 ,
 533
 END CAP
 50709666, 448
 57191991, 329
 58226655, 153
 ENG.BARE QSK19–700, 57421398, 188
 ENGINE SUPPORT, 57472433, 188
 EQUALIZER, 20A. BATTERY, 57175804, 498
 EVAPORATOR COIL, 57554727, 88
 EXPANDER, 35287945, 250
 EXTENSION, HOSE TRAY 35FT, 57445579, 132

F
 FACEPLATE, BARREL–15/32, 57027377, 312
 FAN BLADE–54IN. 8 BLADE, 57436024, 202
 FC310–04 HOSE INDICATOR,
 F04X000J––/J––, 237
 FC310–06 HOSE INDICATOR,
 F06X000J––/J––, 427
 FC310–08 HOSE INDICATOR,
 F08X000J––/J––, 427
 FEED CYL SUPPORT, 57141954, 122
 FERRULE
 1–1/2”CONDUIT, 56282767, 523

INDEX

Index

INDEX

GROUND–1/2, 57248015, 524	52226156, 237 , 368
FILLER, TANK – 3 NPT, 57505018, 228	52226164, 340
FILTER	52244142, 276
AIR, 57010837, 446	52262631, 524
FUEL, 52237161, 234	56901424, 271
FUEL–RACOR, 52237146, 232	56955867, 396
HYDRAULIC, 52254885, 355	56999246, 341
MAGNETIC, 50630656, 341	85597904, 507
MAIN, 57516106, 82	95209086, 228 , 257 , 507
OIL, 57431520, 264	95219713, 443 , 507
SINTERED, 57341216, 486	95219721, 443
FILTER ASSY–HYD, 52259363, 358	95219739, 427
FILTER REG., 57070732, 509	95219747, 188 , 356 , 390 , 427 , 551
FILTER W/ PREFIL & ELBOW, 57554677, 80	95219762, 356
FINAL DRIVE, 57522914, 24	95219770, 355 , 356
FINAL DRIVE GROUP, 57457194, 24	95219853, 340 , 356 , 427 , 509
FITTING	95264925, 99
54409693, 298	95264941, 551
95279121, 356	95279055, 524
95286902, 257	95279105, 237 , 443 , 551
95302733, 276	95279139, 264 , 265
95315289, 284 , 356	95279147, 173
95371217, 368	95279170, 551
95402806, 375	95279337, 264
95402830, 342 , 356	95279352, 551
ELBOW, 57213530, 166	95279378, 237 , 356 , 551
HOSE, 59506436, 574	95279477, 264
HYD	95279493, 509
50692011, 551	95279519, 241 , 507
50814581, 507	95279527, 276
52197530, 264	95279535, 237 , 443 , 507 , 509 , 551
52198058, 237	95279543, 228 , 443
	95280160, 368

Index

95280186, 188 , 342 , 355 , 368 , 551	95419594, 258 , 340 , 400
95280541, 340 , 341 , 355	95431292, 356
95287629, 272 , 507	95433751, 264
95293387, 509	95473443, 396
95293403, 237	95538252, 99 , 274
95302170, 507	95647798, 228
95303335, 228 , 356 , 443	95655072, 274
95315214, 99	95666996, 174 , 344 , 350
95315222, 237 , 274	95678041, 264
95316956, 257 , 368	95731014, 271
95317434, 427	95735346, 344 , 355
95324273, 264 , 272 , 356	95748562, 271 , 551
95329975, 134 , 264 , 364 , 463	95754867, 544
95330023, 228 , 274	95775623, 99 , 274
95335980, 260	95829362, 340 , 341
95338372, 428	HYD-90 DEG, 95341665, 285
95356903, 341 , 342 , 400 , 463	HYD-90DEGO-RING, 95480109, 284
95356960, 274 , 356 , 396 , 400	HYD-90JIC/ORING, 95280194, 284 , 285
95356986, 355	HYD-JIC/O-RING, 95329983, 274 , 284 , 378 , 396
95357570, 396	HYD-NPT/JIC, 95316972, 507 , 574
95359410, 241 , 375	L45, 12OFS X16SAE, 57308850, 390
95364469, 427	L90
95364949, 241	06OFS X08SAE, 57308686, 178
95364956, 427	16OFS X20SAE, 57233983, 355
95365078, 350 , 364	20OFS X16SAE, 57214116, 344
95365086, 370 , 396 , 400 , 544	20OFS X20SAE, 57174070, 173
95365177, 264	L90-120FSX12SAE, 57167934, 118 , 173 , 285 , 340
95367025, 237	L90-160FSX12SAE, 57296394, 118
95371258, 340 , 344 , 350 , 356 , 370	MOD., 57045346, 257
95371704, 108	RNT
95378907, 276	12OFS X12SAE, 57209728, 173
95381380, 427	20OFS X20SAE, 57308983, 173
95415667, 375 , 396	

INDEX

Index

STR	
06OFS X06SAE, 57319618, 178 , 350	
12OFS X12SAE, 57167942, 173	
12OFS X16SAE, 57319675, 390	
16OFS X16SAE, 57319683, 344 , 390	
20OFS X16SAE, 57279622, 344	
20OFS X20SAE, 57167454, 284 , 390	
STR–EXT NPT, 95279857, 237	
STR–EXT NPT RUN, 95323358, 237	
SWIVEL NUT ELBOW, 54409933, 295	
TEE–INT NPT, 95280095, 368	
TEST, 57328676, 173 , 284 , 342 , 350 , 355 , 390	
TUBE	
50364199, 355	
95469169, 443	
95488110, 271	
95529079, 271 , 427	
95663803, 228 , 355 , 427	
FITTING BLKHD, 57554784, 86	
FITTING HYD	
95279113, 237	
95279220, 237	
95279410, 368	
95279469, 265	
95286555, 340	
FITTING STR/301, HEATER, 57554768, 82 , 86	
FITTING–TEE, EXT/INT RUN, 95323432, 237	
FLANGE	
50691989, 284	
95414009, 264	
INTERMEDIATE, 57553240, 28	
STRAIGHT – SAE, 57409443, 284	
FLANGE AC 514/14FLYWL, 57565095, 247	
FLANGE BLOCK, 1 O’RING, 57469546, 284	
FLOAT, LIFE CELL, 57533614, 228	
FLOORMAT	
FRONT, 57541013, 72	
REAR, 57561649, 72	
FOAM	
FRONT/REAR–KICK PL, 57561805, 72	
GASKET, 57561631, 72	
REAR–CURB SIDE, 57561771, 72	
REAR–TOWER SIDE, 57561789, 72	
SIDES–KICK PLATE, 57561797, 72	
FOAM – CURB SIDE, 57561722, 72	
FOAM – REAR, 57561748, 72	
FOAM – ROOF	
FRONT, 57561763, 72	
REAR, 57561755, 72	
FOAM – TOWER SIDE, 57561730, 72	
FOAM–CURB SIDE DOOR, 57561557, 76	
FOAM–TOWER SIDE DOOR, 57561540, 78	
FOOT, FRONT, 50718063, 431	
FORK, 6 FLATS, 57478075, 568	
FORM – FRONT, 57561714, 72	
FRAME	
BATTERY GENSET, 57620437, 480	
LOWER, DUST CURTAIN, 57567034, 462	
FRAME PLATFORM, 57480873, 14	
FRAME–PIVOT, DUST CURTAIN, 57566937, 462	
FRONT IDLER, 57457442, 24	
FRONT IDLER GROUP	
57457335, 24	
57522922, 24	

Index

FUEL, DIESEL, 52246774, 228

G

GASKET

1, 52236551, 421
1-1/2, 52236544, 420 , 422 , 523
3/4, 52236569, 422
35304021, 250
50419670, 197
52154499, 288
52263787, 247
54409735, 295
56953045, 152
58192915, 153
58194960, 153
95568960, 247
BACK CAP, 57341406, 486
COMP DISCHARGE, 57546160, 271
COMP., 57176471, 268
COVER-1-1/2, 95414066, 421 , 523
COVER-1/2, 95344867, 420 , 421
COVER-3/4, 95344875, 420
DIAPHRAGM, 57341281, 486
HOUSING, 52155033, 312
PORT BLOCK, 57487274, 308
SEALING, 52236577, 422
SENDER, 57443962, 228
SHIM PACK
57185894, 153
57185902, 153
TEFLON YOKE, 57341158, 486
VLV BLK, 54408505, 324

GASKET SEAL, 57109753, 152

GASKET, SQUARE SECTION

57192148, 329
57307720, 329

GASKET-DOOR LATCH, 57561581, 76 , 78

GAUGE

AIR PRESS-160 PSI, 57428393, 107
AIR PRESS-400 PSI, 56951395, 107
AMMETER, 57515314, 107
BARE 0-5000 PSI, 57598146, 544
BARE 0-600 PSI, 57598153, 544
FUEL, 50616770, 427
FUEL-24VDC, 57534281, 108
MULTI-STN ISOLATOR
57597940, 544
57597957, 544

PRESSURE, 57112963, 271 , 484

PRESSURE W/SNUBBER, 54413000, 107

SIGHT, 52253176, 172

TEMP, 57093155, 107

GEAR

50597665, 332
INTERMEDIATE, 57159113, 171
OUTPUT, 57546301, 171
OUTPUT SUN, 57213217, 163
PINION, 52193521, 152
PRIMARY PLANET, 57212946, 162
PRIMARY SUN, 57213209, 163
RING, 57553265, 28
SUN

57553083, 28

57553281, 28

57553398, 29

WORM, 58194937, 153

WORM DRIVE OUTPUT, 57570822, 153

GEAR OUTPUT PLANET, 57213001, 162

INDEX

Index

- GEAR SET – AIREND, 36758142, 250
- GEN.SET, DEUTZ ENG.25KW, 57614224, 480
- GEROLER, 57012478, 434
- GEROTOR
 - 52204831, 306
 - 54407671, 306
- GLASS
 - 35277151, 360
 - DOOR–CURB SIDE, 57541021, 76
 - DOOR–TOWER SIDE, 57541088, 78
 - WINDOW–CURB SIDE, 57540916, 72
 - WINDOW–TOWER SIDE, 57540908, 72
- GLASS–WINDOW
 - FRONT, 57561607, 72
 - REAR, 57561599, 72
- GREASE
 - 52180957, 173
 - EP0, 56976954, 509
- GRIP, HAND, 57541047, 76 , 78
- GROMMET, RUBBER, 57097792, 230
- GROMMET–DOOR GRIP, 57561573, 76 , 78
- GROMMET–ROOF, 57561821, 72
- GUAGE 0–300 PSI, 57516700, 509
- GUARD
 - A/C DRIVE, 57336117, 96
 - COUPLING, 52231107, 427
 - DRIVESHAFT–QSK, 57491011, 188
 - FAN–LOWER, 57502544, 204
 - FAN–UPPER, 57502536, 204
 - GEAR – CAROUSEL, 57351694, 153
 - HOSE RING, 57250466, 118
 - HOSE–TEST STATION, 57600090, 544
- GUARD ASSY
 - 57457806, 24
 - REAR, 54562087, 204
 - TRACK GUIDE
 - 57457822, 25
 - 57457830, 25
- GUARD GROUP
 - TRACK GUIDE
 - 57522955, 24
 - 57522963, 25
 - 57522971, 25
 - 57522989, 25
 - TRACK MOTOR, 57522948, 24
- GUARD–SHEAVE HOUSING, 57569683, 463
- GUIDE
 - 50462324, 50
 - BLOCK–LONG R.H., 57386427, 172 , 568
 - FINISHEDPOWERHEAD, 57143778, 172
 - POWERHEAD–CASTING, 57143760, 172
 - SHEAVE/SPRKT, 57414641, 117
 - SPRING–CHAIN TONG, 50209501, 570
 - YOKE, 57341190, 486
- GUIDE POST, CYLINDER, 57566986, 462
- GUIDE SLIDE – R.H., 57376832, 172 , 568
- GUN, BLOW–WITH 25’ HOSE, 50245281, 568
- GUSSET
 - 56924764, 509
 - 57018160, 237
 - 57083172, 390
 - 57390049, 132
 - 57452039, 217
 - BRKT, CAB SIDE, 57591414, 462
 - CAB MTG, DM45/50/L, 57588519, 63

Index

H

HANDLE

- CHAIN TONG, 50209675, 570
- GRAB-TWR SIDEDOOR, 57561532, 78
- STEP, 57455271, 18

HANDLE-RUBBER LATCH, 57417719, 555

HANDRAIL - 38", 57455842, 14

HANDRAIL - 90", 57456139, 14

HANDRAIL ASSY-20 CNTDIST, 57533622, 10

HANDRAIL ASSY-30 CNTDIST, 57424392, 10 ,
16

HANDRAIL ASSY-40 CNTDIST, 57424400, 463

HANDRAIL ASSY-50 CNTDIST, 57424418, 10 ,
16

HANDRAIL ASSY-60 CNTDIST, 57471989, 16

HARNESS

- ENGINE-QSK19, 2ST, 57554222, 193
- MAIN PUMPS, 57558454, 422
- WIRE, INTERNAL, 57554891, 84
- WIRE-CAB, 57561813, 72

HARNESS WIRE-BOX TO BOX, 57549982, 413

HARNESS-6&9 SPOOL VALVE, 56256605, 413

HARNESSQSKECM/BATT/COOLA, 57479198,
193

HEAD

- 13084215, 476
- 57242604, 148
- 57249518, 137
- 57520975, 52 , 56
- CYL, 57060394, 466

HEAD CAP, 57206971, 137

HEADCAP, 57242596, 148

HEATER

- 24VDC FUEL, 52237153, 234
- 3 KW @ 240VIMMERS, 57392854, 490
- 300W @ 24V DISC, 57365389, 234
- 52236049, 488
- BATTERY/240V, 75W, 57166134, 470
- OIL PAN, 57194136, 564

HEATER FITTING, 57555690, 86

HEATER HOSE, 5/8, 57555716, 86

HEATER-COOLANT/FUEL, 57449894, 237

HINGE, TOOL BOX, CAB, 57561888, 73

HINGE ASSY-LH, HOSE PANEL, 57561623, 72

HINGE ASSY-RH, HOSE PANEL, 57561615, 72

HOLD DOWN-VANE, 57181307, 322

HOLDDOWN, GEROTOR& BARREL,
54408612, 288

HOLDER

- END, 57073645, 514
- LOCKING END, 57429748, 413 , 420

HOLDER ASSY-7.63 PIPE, 35, 57518094, 146

HOLDER SET - DOOR, 57561706, 72

HOOK, SAFETY SNAP, 57376246, 18

HORN, 24VDC, 57372484, 548

HOSE

- 10 INCH, 57213290, 163
- 56960123, 200
- 57469975, 200
- 57590929, 258
- AIR-R32 BULK, 95313961, 132
- AIR-R64 BULK, 95391983, 268
- DROPOUT, 57018624, 446

INDEX

Index

INDEX

HYD-- A06 BULK, 57053183, 574	56950082, 473
HYD-- A10 BULK, 57065260, 99	56953912, 340 , 378
RADIATOR	56954019, 341
56963929, 200	56954027, 368
56983943, 200	56954076, 393
56989353, 200	56954084, 393 , 508
SUCTION-- 12 X 15FT, 57295479, 443	56954100, 200
HOSE ASSEMBLY	56954159, 507
56255490, 375	56954233, 188
56255680, 362	56954290, 443
57610552, 340	56954308, 551
HOSE ASSY	56954365, 551
52197589, 237 , 241	56954662, 551
52197647, 544	56955115, 507
52197860, 340	56955644, 340
52225547, 544	56955776, 380
52225851, 134	56956139, 507
52225877, 370	56956675, 356
52225950, 544	56956865, 265
52226420, 340	56957319, 380
52226479, 508	56957764, 473
52226768, 341 , 508	56958721, 443
52228475, 232	56959919, 427
52255254, 484	56960826, 237
52255270, 544	56964174, 484 , 509
52255320, 509	56964190, 508
56254253, 356	56964208, 509
56275365, 340	56964216, 509
56278823, 132	56964232, 405
56280746, 368	56964240, 509
56947674, 368	56964273, 508
56948557, 264	56964281, 544
56949399, 393	56964299, 257 , 508

Index

56964315, 264 , 508	57005688, 508 , 509
56964356, 509	57007478, 509
56965759, 509	57014375, 342
56966211, 508	57015505, 340
56966278, 134	57015521, 107
56966898, 507	57018889, 551
56967581, 183	57020703, 340
56970627, 508 , 509 , 544	57020760, 340
56971559, 463	57020778, 340
56972672, 108	57020802, 370
56972680, 342	57020828, 370
56972698, 508	57022246, 507
56972714, 544	57022253, 237
56973027, 356	57034183, 368
56973084, 509	57034332, 264
56973621, 508	57034357, 228
56974140, 271 , 340	57036618, 258 , 370 , 508 , 544
56974322, 551	57038424, 463
56974579, 508	57040818, 382
56974686, 173	57043218, 508
56975980, 484	57053761, 443
56981632, 264	57065682, 264
56984834, 368	57101164, 340
56987936, 507	57101263, 340
56992035, 341	57101420, 341
56992118, 443	57101438, 340
56992134, 257	57116840, 362
56992159, 427	57133175, 507
56994510, 380 , 443	57135071, 368
56999030, 234	57157422, 380
57002859, 228	57162620, 443
57003915, 443	57183832, 356
57004020, 508	57229676, 340

INDEX

Index

INDEX

57248445, 544	57441495, 375
57249088, 507	57443871, 341
57277402, 341	57445157, 362
57277444, 341	57445538, 183
57293656, 234	57449415, 355
57298069, 173	57451841, 427
57311920, 132 , 443	57464612, 257
57325391, 265	57473795, 375
57337123, 342	57480774, 340
57339368, 368	57480808, 340
57339848, 163	57495384, 390
57342651, 340	57496283, 341
57342891, 178 , 364	57498230, 342
57344764, 390	57498917, 507
57347429, 340	57515496, 132
57377947, 96	57525545, 390
57377954, 96	57537474, 134
57380420, 366	57537482, 134
57384539, 241	57548059, 340
57390494, 132	58060294, 264
57396640, 443	58081662, 508 , 544
57396806, 173	58140328, 508
57396822, 173	58148040, 405
57403818, 132	58154345, 463
57403826, 132	58154378, 443
57403834, 132	58162454, 265
57406977, 173	58170465, 108 , 508
57406985, 173	58182791, 364 , 366
57406993, 173	58205261, 544
57412322, 228	58219056, 257
57414120, 237	R134A
57431314, 375	210”L, #12, 56247489, 96
	290”L, #6, 56247505, 96

Index

HOSE CLAMP
10/12, 57555708, 86
57555732, 90

HOSE GUARD ASSY, 57250482, 118

HOSE HUMP
58044546, 217
REDUCING, 57474033, 217

HOSE STEM, 52152501, 272

HOSE TRAY – LOWER, 57390015, 132

HOSE TRAY – UPPER, 57390031, 132

HOUSE ASSY, 52204765, 312

HOUSING
35251529, 360
52155637, 324
52245479, 171
57192007, 329
57416935, 314
BEARING, 50875368, 434
BLO, 57018590, 446
END CAP, 54408638, 288
FRONT COVER, 57555674, 80
GEAR, 57054637, 152
GEARBOX, 59551127, 332
LOWER SEAL, 57578023, 171
MACHINED – R.H., 57395444, 171
REAR, 57555666, 80
SINGLE ELEMENT, 50815703, 348
UPPER SEAL, 52248150, 171
VALVE, 50961184, 434

HOUSING SHEAVE
4.88 DIA, 57566994, 462
HORZ 4.88, 57567018, 462

HOUSING SHEAVE VERT – 4.88, 57567000, 462

HOUSING – SEMIFINISH, R.H., 57395469, 176

HOUSING – SHEAVE, 7.62 DIA., 57566945, 462

HSG, UP. SEAL (RAW CAST), 52248168, 171

HUB
REWORK, 57570814, 152
WORM DRIVE, 57570806, 152

HUB BLANK, 57035230, 117

HYD. MOTOR MODIFICATION, 57154916, 152

I

IDLE, TEFLON, 54431614, 532

IDLER & BEARING ASSY, 57457509, 38

INDICATOR
54407473, 290
57065617, 264
CARROUSEL – 4ROD, 57339897, 146
ELEC, 57426835, 264
PANEL MTG. RED, 57438863, 107
RESTRICTION, 52265311, 217

INDICATORPANELMTG.YELLOW, 57438889,
107

INJECTOR
SL1/2 BANK, 57070757, 507
SL1/3 BANK, 57070765, 509
SL1/4 BANK, 57070773, 507
SL1/5 BANK, 57070781, 507

INLET, SUCTION, 57018616, 446

INLET SECTION, 54611967, 398

INSERT
BEARING, 50709013, 431
JAW – FLAT, 50024397, 570

INDEX

Index

INSULATION, STYROFOAM, 57204943, 470
INSULATOR, HEAT SHRINK., 58159088, 501
INTERFACE, ROTATION TACH, 57524878, 532

J

JACK FOOT PAD, 57196735, 50 , 54
JAW – CHAIN TONG, 50021187, 570
JET PIPE & BASE ASSY, 54409172, 302
JUNCTION BOX ASSY, 8 X 6, 57138166, 509

K

KEY

52249877, 434
57074668, 153
57209926, 152
CUSTOM, 57546327, 171
HALF, 57536229, 247
INSERT – CHAIN TONG, 50024389, 570
INTERMEDIATE SHAFT, 57159139, 171
RECTANGULAR, 57570848, 152
SQUARE, 54407739, 306
SQUARE – 1/2 X 6, 95308573, 145

KIT

BYPASS INLET SPOOL, 57394900, 398
INLET FILTER, 57394892, 398
INLET SEAL, 57394942, 398
INLET SECTION SEAL, 57394868, 402
LIGHT GAUGE – 24VDC, 57443954, 108
METRIC SPLIT FLANGE, 56248479, 375
PILOT REDUCING
57394835, 402

57394918, 398
PROX.SWITCH MOUNT, 57568578, 532
PULSAR SEAL, 57395048, 398 , 402
PUMP REPAIR, 57420127, 512
PUMP TUBE REPAIR, 57420135, 512
RELIEF VALVE, 57394843, 402
REPAIR – PISTON, 50822162, 431
REPAIR – VALVE, 50822154, 431
RETAINING RING, 54416946, 288
SEAL
57039810, 405
57107914, 346
57513723, 122
57561359, 202
59729707, 434
SEAL CYLINDER HYD, 57349185, 183
SEAL PLATE, 57394967, 398
SEAL – HYD, CYL, 54454087, 466
SHAFT AND BEARING, 52249869, 434
SPACER BEARING, 51375475, 434
SPLIT FLANGE
56783020, 390
56950579, 368
SPOOL, COMPENSATOR, 54580709, 402
TORQUE REEL ENCODER, 56292782, 532
UNLOADER ADJUST, 57394884, 398
WIPER – ELEC CAB, 57573305, 560
WORK SECTION SEAL
57394876, 402
57394959, 398
KIT #3 – BACK – UP BATTERY, 57524647, 532
KIT #4 – UTILITY PANEL, 57524654, 532
KIT, SEAL, 57032997, 329
KIT, SHAFT, 57053555, 329

INDEX

Index

KIT-DISC(BRAKE), 57457293, 28
KIT-SEAL(BRAKE), 57457301, 28
KIT-SHIM, 57153090, 288
KNOB
FAN, 57477929, 84
TEMPERATURE, 57477945, 84

L

LABEL, 1-HOLE ADHESIVE, 57455628, 420
LADDER
57214587, 10
STEP-DC SIDE, 57491276, 18
LAMP
150W HPS CLEAR, 57316127, 417
HPS, 56997943, 417
LED
GREEN, 24V, 56275431, 495
RED, 24V, 56275449, 393
PANEL, 50611235, 108
SUBMINATURE, 56292535, 532
LATCH
CAM, 52106606, 76 , 78
INSIDE RELEASE, 57541062, 76 , 78
PADDLE- CURB SIDE, 57541054, 76
PADDLE-TOWER SIDE, 57541112, 78
LATCH-TOOL BOX, CAB, 57561896, 73
LCKWSHR 1/2, 52221470, 162
LEE PLUG, 57191983, 295
LEG SUPPORT - COOLER, 57483356, 202
LEG SUPPORT-SPACER, 57491045, 202
LEVEL, 58038761, 107
LEVER
35299825, 257
OPERATING, 52192564, 495
LH TRACK ADJUSTER GROUP, 57457327, 24
LIGHT
INDICATOR, 57266181, 495
MERCURY VAPOR, 54640420, 417
PILOT, 50270040, 108 , 393
LINK
54409255, 304
56801053, 18
57079030, 257
57129199, 572
CONTROL, 54409834, 295
MASTER, 57129173, 572
LINK ASSY, 57550022, 146
LINKAGE, LATCH, 57541070, 76 , 78
LOCK, SPINDLE, 50628007, 156
LOCK-NUT, 13084207, 476
LOCKING ASSY-2.624 DIA., 57565129, 247
LOCKNUT
56944390, 137
57181240, 52 , 56
57220295, 466
57242554, 148
BRG, 95209987, 171
LOCKWASHER
52154903, 310
M16, 57175556, 247
LOUVER, AURORA, 52106457, 72
LUBRICANT, 35 LB. CAN, 50525187, 484

INDEX

Index

LUG

BATTERY, 57011611, 212 , 501
LIFTING, 57345100, 443

M

MAGNET, 54409230, 304

MAGNET ASSY, 50815661, 348

MANIFOLD

36756211, 250
52263530, 358
52263548, 358
56849672, 507
57546038, 274
HYD, 57083883, 507
HYD. ORING THDS, 57350076, 341
LOWER, 57546236, 271
RETURN, 57482556, 355
RETURN SAEPORTS, 57431983, 341
UPPER, 57546228, 271

MANIFOLD ASSY – DR/PR CONT, 54418108,
350

MANIFOLD COOLANT INLET, 57473985, 200

MANIFOLD ENG. COOLANT OUT, 57473969,
200

MANIFOLD ENG.COOLANTINLET, 57471773,
200

MANIFOLD – FEED CNTRL VLV, 57447849, 384

MANUAL, SAFETY – DM45/50/L, 57311151, 585 ,
586

MASTER BUSHING, 57457749, 44

MODULE

INPUT ISOLATION, 56292550, 532

OUTPUT ISOLATION, 56292543, 532

MONITORINGPLATFORM, DM – 1B, 57543316,
532

MOTOR

BLOWER, 57516130, 80

C – FORCE, 57480360, 292

FORCE, 54409396, 302

HYD – AXIALPISTN – M8F, 57488884, 202

HYDRAULIC

52235207, 427

57003782, 446

57110157, 178

57209637, 171

57212771, 163

57401135, 152

57552267, 29

WIPER, 52106432, 562

MOTOR & GEAR REDUCER ASM, 57574113,
146

MOUNT

(400W HPS LIGHT), 57619652, 417

57051716, 417

CYLINDER, 57095853, 230

DECK/FRONT CS, 57470395, 480

DIVERTER VALVE, 57454910, 344

ENCODER DIRECT DRV, 54478490, 532

ENGINE, 56981657, 188

FLEX – BOLTSANDWICH, 57139131, 193

HOIST, 56244395, 160

LIGHT, 57051708, 417

LIGHT – D.C. SIDE, 57615643, 417

REC FOOT, 57545931, 271

REMOVE 7 ROD, 57217531, 152

MOUNT BAND, 57555757, 90

Index

MOUNT SILENCER, 57471856, 197
MOUNTING CAP, 57192015, 329
MOUNTING RAIL (DIN), 57221855, 420
MTG FLG, 52155116, 316
MUFFLER
 35144385, 257
 FILTER, 52142031, 257

N

NAMEPLATE
 57095846, 230
 BATTERY OFF/ON, 57389736, 212
 GAUGE HI-PR., 57598039, 544
 GAUGE LOW PR., 57598021, 544
 ISOLATIONSWTCH, 57379166, 501
 REC. OIL, 57325029, 551
NAMEPLATE-12V DC POWER, 57379174, 498
NIPPLE
 50691831, 355
 HOSE, 57082018, 99
 RECEIVER-HYD, 50695972, 555
NOZZLE
 COMP/REC., 57142937, 555
 COOLANT, 59729566, 555
 SPRAY, 56246747, 484
 W/3/16"ORIFICE, 57341166, 486
NUT
 50943240, 332
 54407812, 306
 57129157, 572
 57269698, 325
 57356677, 36

57357691, 25
A-COVER, 57480162, 295
ACORN, 57239725, 298
ADJ A SEEL SELF SEAL, 57480147, 295
ADJUSTING, 57291304, 171
COVER, 54409602, 302
DIAPHRAGM PLATE, 57341299, 486
HEX, 57437097, 252
HEX JAM, 54408455, 324
HEX JAM 3/4-16, 57555682, 86
JAM, 57104929, 298
LOCK
 5/16 - 18, 35252600, 250
 54409438, 302
SEALING
 52240363, 523
 52240389, 443
SHAFT, 57553109, 28
SPEED, 52144409, 431
TRACK, 57417990, 24

O

O RING
 52155645, 324
 57416950, 314
O-RING, 57525891, 264
O-RING
 #8, 57554735, 82, 86, 88
 35251511, 360
 50597434, 332
 50717743, 332
 50815695, 348
 51076156, 346
 51076164, 346

INDEX

Index

INDEX

51076172, 346	57213464, 166
52154937, 310 , 324	57213472, 166
52154994, 314	57213480, 166
52155314, 295 , 316 , 322 , 324	57220345, 468 , 478
52203767, 322	57220360, 468
52263555, 358	57224081, 148 , 408
54407416, 290 , 325	57242562, 148
54407762, 306	57244832, 52 , 56
54407796, 306	57307902, 288
54407879, 306	57326795, 408
54408448, 324	57362105, 478
54408554, 324	57520868, 52 , 56
54408596, 325	57520884, 52 , 56
54409461, 302	57520900, 52 , 56
54409537, 302	59374934, 58
54409578, 302	59375030, 58
54409610, 302	59595629, 332
54409651, 295 , 300	59941393, 58
54409685, 298	95017984, 324
54409768, 295	95060745, 271
54409800, 295	95070603, 590
54479985, 58	95266433, 356 , 378
54480041, 58	HYD, 95209888, 362
54480058, 58	SHUTOFF VALVE, 57440661, 96
57107906, 346	O-RING SEAL, 57457418, 32 , 34
57192197, 329	OIL
57212912, 162	GEAR
57212920, 162	50057132, 284
57213100, 162	58209651, 153 , 172
57213183, 163	HYDRAULIC, 52223781, 355
57213241, 163	MOTOR, 52223831, 188
57213423, 166	ORIFICE, INSERT-.625 ID, 36762680, 250
	ORIFICE PILOT, 57213431, 166

Index

OUTLET, BODY, 95377743, 420

OUTLET BODY

95344719, 421

95344727, 420

95414033, 420 , 523

95735049, 421

P

P1 ROTOR ASSY., 57192122, 329

P2 ROTOR ASSY., 57192163, 329

PACKAGE KIT, 805 IR, 57554685, 80

PACKING

52144318, 431

SWIVEL, 50694876, 172

SWIVEL–30XV, 57336067, 172

PAGE

COMBINED WARNING, 57299554, 588

COVER, 57311169, 588

DON'T CLIMB, 57318834, 588

EXCESSIVE HYD. OIL, 57299422, 588

FALL OR CRUSHHAZARD, 57299505, 588

FALLING DERRICK, 57299414, 588

FALLING DRILL PIPE, 57299547, 588

FALLING POWER HEAD, 57299521, 588

FALLING RODCAROUSEL, 57299539, 588

FAN BLADES, 57338329, 588

HAZARDOUS VOLTAGE, 57299562, 588

HIGH PRESSURE

57299489, 588

57299513, 588

57299588, 588

57299596, 588

LABEL REFERENCE, 57311656, 588

ORDER INFORMATION, 57311649, 588

PRESSURIZED FLUID, 57299463, 588

ROTATING PARTS

57299430, 588

57299448, 588

TABLE–DM 45/50/DML, 57324154, 588

PAGE ROTATING BLADE, 57299455, 588

PANEL

88001599, 514

BREAKER/BOX ASM, 57615536, 110

ONE GAUGE, 57534315, 108

PC BOARD, 54409321, 304

PEDESTAL–SEAT, 57561862, 73

PIN

50067834, 50 , 54

50816289, 329

50875525, 434

52155348, 322

52155454, 324

54407606, 298

54407838, 306

54409826, 295

54409859, 295

54410105, 300

57129165, 572

57129181, 572

57273229, 473

57457525, 38

57457632, 42

ADAPTER CHAIN, 57407181, 117

ANCHOR, 50171941, 50 , 54

CENTER, 57180168, 22

INDEX

Index

INDEX

CYLINDER	PIN–CYLINDER, RODCHANGER, 57406068, 145
50339001, 117	
57035412, 257	PIN–PUMP, 57305948, 298
57268112, 145	PIN–ROLL, 50830199, 302 , 325
CYLINDER MOUNT, 57550055, 146	PIN–SHEAVE
DOWEL	4.88 DIA, 57567026, 462
50815810, 448	7.62 DIA, 57566952, 462
52201894, 306	PINEYE ASSEMBLY, 57423915, 476
54408026, 314	PINION
54408414, 316	50597657, 332
57213233, 163	INPUT, 57170110, 171
57553224, 28	PINS, 50817089, 308 , 312
END YOKE, 57188112, 22	PIPE
HANDLE–CHAIN TONG, 50021202, 570	0.25 SCH40X2.25LG, 57495459, 510
JIB ARM, 57120339, 160	57068587, 12 , 92
LOCKING, 50219955, 568	57457848, 25
LOCKING –CYL., 57423832, 473	57615817, 598
MODULATING, 54408497, 324	95341798, 50
PIVOT, 57273237, 473	DISCHARGE 285MM, 57545956, 268
ROD END, 57079048, 257	EXHAUST ELBOW, 50622810, 197
ROD SUPPORT ARM, 56250012, 473	INLET 285MM DML, 57545949, 271
ROLL	PIPE FROM AFTERCOOLER, 57474025, 200
52155017, 314	PIPE PLUG, 52201811, 290
56987209, 162	PIPE TO AFTERCOOLER, 57474017, 200
SPRING–CHAIN TONG, 50024512, 570	PISTON
SPROCKET	57060378, 466
50338987, 117	57242612, 148
52227337, 117	57357972, 137
SUPPORT–FUEL TANK, 57474579, 228 , 427	57423931, 476
TOWER LOCKING, 57141715, 393	57457384, 32 , 34
TWR RAISE CYL, BOTM, 57591554, 134	57520983, 52 , 56
TWR RAISE CYL–TOP, 57591547, 134	57552572, 28
WRIST, 50718030, 431	BRAKE, 57212862, 162

Index

PISTON & SHOE, 54408323, 320	HOT START MTG, 57474405, 237
PISTON/SHOE ASSY., 52204880, 320	LOCKING
PIVOT – WRENCH CYL MOUNT, 57391112, 405	50339019, 117
PLATE	50813575, 134
50348804, 341	MOTOR, 57240764, 322
50462332, 50	MOUNT
50907112, 434	57205478, 540
52154580, 288	57445702, 180
52154770, 306	MOUNTING
57019853, 217	50258193, 160
57472037, 480	54409149, 302
57479339, 456	54409180, 302
57479347, 456	MOUNTING– FUELTANK, 57483729, 228
57479354, 456	MTG
BACK UP, 57552580, 28	52243789, 495
BALANCE, 50875491, 434	57244980, 341
BEARING, 57437063, 252	MTG (400W HPS), 57620254, 417
CAP, 57440125, 443	MTG –IR LOGO, 57397325, 117
CASING HOIST, 57145435, 160	MTG REAR DECKING, 57573958, 10
COMBUSTIBLE GAS, 57299497, 588	MTG. 175W MV LIGHT, 57620239, 417
COVER	MTG.175W MV LIGHT, 57619942, 417
52236486, 102	PORT
52247657, 247	52179488, 448
54409669, 298	54426168, 452
54409743, 295	FRONT, 54494018, 329
CREEP, 52203668, 320	REAR, 54494026, 329
CYLINDER, 57246555, 122	PORT –RH 15/32, 52204799, 308
DIAPHRAGM, 57341265, 486	PRESSURE, 57212870, 162
END, 57191033, 173	REINFORCEMENT, 57619660, 417
FOLLOWER, 57420093, 512	RETAINER
GEAR BOX MOUNT, 57217507, 152	54408315, 320
	54408570, 324
	SEAL VANE, 54408372, 322
	SUPPORT
	57214488, 92

INDEX

Index

INDEX

57214595, 12
TAPPED
52240439, 495 , 524 , 536
52240959, 342 , 396 , 400 , 420 , 422 , 490 , 523
57080731, 257
THRUST, 57213142, 162
TOWER PINNING, 57389330, 393
WEAR, 50875426, 434
PLATE SPACER, VALVE, 57329989, 390
PLATE-COVER, COOLER BASE, 57495335,
202
PLATFORM, DUST CURTAIN, 57582413, 463
PLUG
1/2-ORING, HEX SOC, 95504015, 384
1/8 O-RING-HEX SOC, 95926838, 384
50718162, 431
52154929, 310
52155306, 322 , 324
52220993, 163
54407903, 306
54407994, 310
54408059, 314
54408430, 324
54408489, 324
54409677, 298
54409776, 295 , 316
59551267, 332
6MM COMPONENT, 57429722, 421
CAP, 57552622, 28
COOLANT, 57142945, 555
EXPANDING, 57552630, 28
MAGNETIC, 59514976, 332
MANIFOLD-XL, 57447898, 384
NYLON, 57012676, 148 , 405
OIL LEVEL, 59551259, 332
ORING-SAE 32, 95746194, 228 , 428
PIPE
57437022, 252
95408167, 507
PIPE-3/8 SQ HEAD, 95249587, 172
PORT
57224156, 52 , 56
57244915, 52 , 56
SCREW
57552747, 29
57552895, 29
SEAT, 54480017, 58
VENT, 57339822, 163
WITH O-RING, 95343596, 342 , 355 , 368 , 375
, 396
PLUG ASSEMBLY
50907146, 434
CHECK, 50907179, 434
PLUG DRAIN, 57213191, 163
PLUG HEAD, 95323465, 173 , 228 , 274 , 341 , 342
, 356 , 375 , 400
PLUG OIL LEVEL, 57213258, 163
PLUG PIPE, 95101457, 50 , 54
PLUG W/O RNG, 95326955, 264 , 355 , 396
PLUG-CLEAR, 57356891, 42
PLUG-HEX, 57302143, 324
PLUG-PIPE, 57356768, 38 , 40
PLUG-PORT, 57401622, 476
PLUG-W/O-RNG, 95361028, 355
POINTER, 57342719, 146
POLE PIECE
54409222, 304

Index

54409248, 304

POPPET

54480009, 58

DUAL & REPL, 54408471, 324

SEQ, 54408513, 324

PORT BLOCK/HOUSING ASSY, 54408620, 288

PORT PLUG

57245284, 137

57396426, 466

POST, EXTENSION, 57440117, 443

POTENTIOMETER, 500–OHM, 57433781, 421 ,
540

POWERLUBER, AUTO–GREASING,
57336430, 484

PRE–FILTER, 57555724, 90

PREFILTER, 57516098, 82

PRESSURE PLATE, 57185217, 329

PROPEL MOTOR, 57416927, 24

PULLEY, 3” ALUMINUM, 54460589, 532

PULSAR, 24V W/WEATHERPAK, 57394926, 398
, 402

PUMP

35309277, 250

50 TO 1, 56964869, 512

DOUBLE–HYDRAULIC, 57392003, 284

FUEL, 50258441, 228

MAIN, 57326274, 284

WATER–8 GPM, 50822147, 427

PUMP/TIMER, LINCOLNCENTRL, 57166795,
507

PUSHER & SPRING, 54409271, 304

Q

QUICK STRAP, BATTERY, 57620445, 480

R

RAD/A–C/COC/HOC–SIDESIDE, 57473928,
202

RADIATOR ASSY, ENGINE, 57524324, 204

REAR FOOT, 50717990, 431

RECEIVER

50695980, 555

54409198, 302

RECEPTACLE

50625912, 102

BATTERY CONN, 57007411, 501

RECOIL SPRING GROUP, 57457434, 24

REDUCER, JIC, 54387006, 272

REEL, STATIC DISCHARGE, 54422837, 532 ,
533

REGULATOR, AIR–RELIEVING, 57079550,
484

RELAY

57516619, 84

DPDT 24V COIL, 57394603, 108

SOLENOID–24VMARINE, 59956466, 193

RESERVOIR, HYDRAULIC, 57582322, 355

RESISTOR, 4 SPADE, 57554826, 80

REST, WRENCH, 50243088, 568

RESTRAINT–DOOR, 57561698, 72

RESTRICTOR, JIC/JIC .062, 57291049, 463 , 473

RETAINER

52155512, 324

57046831, 473

INDEX

Index

INDEX

57273245, 473	57553133, 28
57356859, 40	57553232, 28
BEARING	57553349, 29
50248368, 146	PILOT, 57552994, 28
54408133, 314	RETAING
CABLE, 57410599, 117	50815711, 348
SEAL W/O RING, 54407358, 288	52201803, 290
RETAINING RING GROUP, 54414743, 320	RETAINING
RETRACTOR, PIVOTING, 57530537, 183	52155140, 320
REWORK, HYD. RESERVOIR, 57193773, 488	52155157, 320
RH TRACK ADJUSTER GROUP, 57457319, 24	52155165, 320
RING	52155751, 288
52201928, 306	52155843, 318
52201936, 306	52204864, 320
54407960, 310	52204872, 320
57457392, 32 , 34	54407325, 288
57457400, 32 , 34	54407333, 288
57457665, 42	54407341, 288
BACK UP, 57163529, 408	54407853, 306
BACK-UP	54408299, 320
57213498, 166	57068215, 466 , 476
57213506, 166	RETAINING-BREAKOUT, 57200628, 183
57224099, 148	SEAL
BACKUP	57552259, 29
54479993, 58	57552754, 29
54480025, 58	57552937, 29
59337212, 58	SNAP
CAM, 54465646, 450	50597442, 332
CAST IRON, 57242570, 148	50717982, 431
CONTAMINATION, 57520942, 52 , 56	50806223, 448
INGRESSION, 57520892, 52 , 56	50815901, 448
O	57552440, 28
57552887, 29	57552481, 28
	57552598, 28

Index

57553018, 28	ROLLER GUIDE, ROD SUPPORT, 57423824, 473
57553059, 28	ROLLER – 2 OD X 3.50 LG, 57446262, 117
57553075, 28	ROLLPIN, 57212987, 162
57553091, 28	ROPE, WIRE, 57047060, 180
57553331, 29	ROTOR, 54426150, 450
57553430, 29	RUBBER
57553455, 29	58145392, 108
THREADED, 50610971, 172	WINDOW – DOOR, 57540999, 76 , 78
RING SNAP, 57339814, 162	WINDOW – SAE 14GA., 57540981, 72
RING, SNAP	RUBBER STRIP, 1/4 X4, 57068942, 63
50644558, 329	RUNG LADDER, 57047847, 12 , 92
50806223, 329	
RIVET	
1/8 DIA X .357POP, 58081647, 421 , 523	
57129207, 572	
ROCKER AND PLUG, 54408406, 322	
ROCKER CAM/PISTONS, 54410741, 316	
ROD	
57423949, 476	
57457475, 36	
THREADED ENDS, 57483711, 228	
ROD ASSY	
50718022, 431	
57242638, 148	
ROD TUBE, 57181232, 52 , 56	
ROD – TUBE, 57181059, 52 , 56	
ROLLER, 57339871, 163	
ROLLER & BEARING ASSY	
57457608, 40	
57457640, 42	
ROLLER GROUP, 57522930, 24	

S

SADDLE, POST MOUNT, 57440778, 446
SAFETY HOOK SWIVEL, 57200495, 160
SCREEN, FILTER, 57341208, 486
SCREW
50718105, 431
50816271, 329
52154606, 288
52154895, 310
52155256, 322
54407366, 288
54407390, 288 , 290 , 292
54407648, 288
54407945, 308
54408331, 322
54408349, 322
54408356, 322
54408588, 324
54409164, 302

Index

INDEX

54409206, 302	50727734, 40
54409289, 304	52155363, 322
54409305, 304	57027310, 42
54409479, 302	57102352, 38
54409560, 302	57614323, 578
54409701, 295	59752055, 468
54409750, 295	BACKUP, 57220337, 468 , 478
54409784, 295	BULB-90 DEGREE, 57541005, 72 , 76 , 78
95412623, 501	FACE, 57553067, 28
ADJ, 54407580, 298	LIP, 57401200, 152
ADJUSTING -SLOT, 57341307, 486	LIP TYPE, 57457376, 32 , 34
BONNET, 57341141, 486	OIL
CAP, 95208773, 462	50717750, 332
CAP SOCKET HEAD, 54426135, 448	52146784, 171
CAP-3/8-24 X 1-1/4, 95959086, 153	52164282, 171
CAPTIVE, QUICK OPEN, 54537139, 72	57437105, 252
CHAIN, 57129140, 572	58227661, 153
FILTER STRAINER, 54409917, 295	58229915, 171
HEX-M16-2X030, 35375591, 250	RING, 57401184, 152
MOTOR, 57240749, 322	ROD, 57520926, 52 , 56
NULL ADJ, 54409420, 302	SECTION, 52179496, 448 , 454
SET	SHAFT
57012684, 148 , 405	51079176, 448 , 454
57240756, 290 , 322	52154515, 288
SOCKET, 54426176, 452	SHEAR
STROKE LIMIT, 57394850, 402	52201761, 290 , 300
SET-CLEVIS, 57060352, 52 , 56	52201787, 290
SOC HD 1/4-28X1, 57480154, 295	SQ SECT
YOKE CLAMP, 57341182, 486	50815794, 448 , 454
SEAL	50815851, 329 , 448 , 454
14-12 AWG CABLE, 57400715, 209 , 421	SEAL ASSY, 57245177, 52 , 56
50718089, 431	SEAL GROUP
50727429, 40	57457517, 38
	57457616, 42

Index

SEAL GROUP–DUO CONE, 50727031, 40	57466591, 402
SEAL KIT	57466609, 402
52179595, 448	57466617, 402
54418546, 350	57466625, 398
57242547, 148	57466633, 398
57249450, 137	57466641, 398
57303737, 350	57466658, 398
57401176, 152	
57425043, 476	SENDER, FUEL–W/FLOAT, 57534299, 228
57512006, 393	SENSOR
59476705, 178 , 350	500 PSI PRESSURE, 56292568, 532
VALVE, 57240814, 58	5000 PSI PRESSURE, 57543431, 532
	LOW LEVEL–240V, 56246051, 488 , 490
SEAL KIT–CART.VALVES, 57439077, 384	MAGNETIC, 57037335, 193
SEAL KIT–CHECK VALVE, 57448102, 384	VIBRATION, 57524977, 532
SEAL KIT–COUNTERBLNCE VLV, 57447906, 384	SEQUENCE SEAT, 52155439, 324
SEAL KIT–CYLINDER, 57510927, 52 , 56	SERVICE KIT, WIGGINS, 57142994, 551
SEAL KIT–SEQUENCE VALVE, 57447914, 384	SERVO
SEAL KIT–VALVE CART., 57301012, 350	ELECT, W/O F MTR, 57480139, 292
SEAL OIL, 57213092, 162	PUMP, ELEC 5AO, 57480170, 288
SEAL VANE, 54408380, 322	SERVO LINK, 52215647, 300
SEAL, SHAFT, 50495860, 329	SERVO OUTPUT, 57052631, 288
SEAT	SERVO PLATE, 52201738, 288 , 322
52155603, 324	SERVO SHAFT, LINK & SHEAR, 54409628, 298
OPERATOR, 57569444, 73	SERVO SHAFT ASSY, 54409123, 290
SEAT BLOCK W/WHT NYLON, 57341091, 486	SERVO–CONT.COVER GASKET, 57417339, 288 , 290 , 298
SECTION	SET
VALVE, 57466583, 402	LOCATING RING
VALVE SPOOL	57553042, 28
57466567, 402	57553448, 29
57466575, 402	PLANET BEARING
	57553034, 28
	57553315, 28

INDEX

Index

INDEX

57553422, 29
PLANET GEAR
57553026, 28
57553307, 28
57553414, 29
SETSCREW, 57357964, 137
SHAFT
52201662, 288
52234887, 448
57037350, 145
57457533, 38
57457624, 42
57570830, 152
BOTTOM, 57437014, 252
DRIVE, 57045882, 318
GEAR PRIM. PLANET, 57212953, 162
INPUT
50595115, 332
57553380, 29
INTERMEDIATE, 57191017, 171
PIPE ASSY, 57406845, 145
ROD CHANGER, LOWER, 57594541, 145
SERVO, 54409636, 300
SHAFT ASSY
52230869, 448
57457590, 40
SHAFT GEAR OUTPUT PLANET, 57213019,
162
SHAFT, #3 SPLINED, 57192213, 329
SHEAR SEAL, 57153108, 300
SHEAVE
MACHINED-1 ROPE, 57432700, 117
ROLLER BEARING, 57449738, 462
WIRE, 50245810, 160
SHEAVE W/BUSH-1 ROPE, 52228848, 117
SHEAVE-ROLLER BEARING, 57566929, 462
SHIELD, HEAT-EXHAUST, 57530925, 197
SHIM
54479910, 58
54479928, 58
54479936, 58
57149080, 172
FINAL DRIVE
57546384, 174
57562829, 174
GUIDE
50339027, 117
50624709, 172
MTG-HYD TANK, 57582330, 356
PAK, 56939028, 188
POWERHEAD-SPURGEAR, 57243719, 172
SHIM SET
50518083, 188
52210317, 172
52270105, 247
SHOE, TRACK, 57418006, 24
SHROUD, INLET
56887680, 217
56899669, 217
SIDE PLATE, 57512188, 306
SIGHT GLASS, 39476916, 271
SIGHT GLASS ASSY, 57499105, 204
SILENCER
ALUMINIZED 6", 57574196, 197
PNEUMATIC, 35132299, 260
SLEAVE, PLASTIC COIL, 57101933, 524

Index

SLEEVE	BEARING, 57213027, 162
ADAPTER, 52143195, 332	CYLINDER, 57561094, 122
LOCATING, 57552820, 29	FINAL DRIVE, 57546319, 174
SHIFT, 57552846, 29	INTERMEDIATEGEAR, 57159121, 171
SPLINE, 59516096, 332	PISTON, 57183618, 52 , 56
WEAR, 50822097, 172	SHAFT –DMC TOWER, 56247232, 118
WIRE TRANSPARENT	SWIVEL PACKING, 57371163, 172
57455586, 420	VANE, 54408398, 322
57455594, 420	SPINDLE, 57552960, 28
57455602, 420	SPINDLE – FINAL DRIVE, 57546343, 171
SLIDE, 50072347, 50 , 54	SPOOL
SLINGER	CENT LUBE GROOVES, 54407630, 298
52144391, 431	HYD STROKER, 54409727, 295
52187804, 172	SPRING
SPLYDRING	35251552, 360
57245185, 52 , 56	50875533, 434
57245540, 52 , 56	52155546, 324
57425068, 122	54408273, 318
SNAP RING	54408463, 324
52221124, 163	54479977, 58
52221173, 163	54480066, 58
SOCKET, 10040541, 568	57063737, 324
SOLENOID, 57516346, 350	57240566, 298
SPACER	57457467, 36
.5X1.75ODX1.06ID, 57188963, 180	BRAKE, 57212888, 162
50248426, 146	CHAIN TONG
54409297, 304	50021229, 570
54409362, 302	50024371, 570
57068991, 152	COMPRESSION, 50709336, 348
57091100, 443	COMPRESSION 125LB, 57341240, 486
57120347, 160	END, 54479951, 58
57212904, 162	GAS – DOOR CURBSIDE, 57561672, 72
57457756, 44	REAR +500 LB PRES, 57341174, 486
	RETAINER, 57514903, 318

Index

INDEX

SEQ & SERVO, 54408539, 324	STOP BLOCK
TENSION–DOORLATCH, 57561565, 76 , 78	BULL GEAR
SPRING ASSY	57209306, 146
54409487, 302	57209314, 146
54409545, 302	CENT. BUSH, 57198939, 183
SPRING CHECK BALL, 57213522, 166	STOP–RODCUP, 7.63 PIPE, 57562696, 146
SPRING CHECK VALVE, 57213449, 166	STOPPER–RUBBER, 57356883, 42
SPRING GUIDE, PISTON SEAL, 52155660, 324	STRAINER
SPRING PLATE, 50815679, 348	OIL, 50247691, 355
SPRING ROTOR, 57213373, 163	OIL–2 NPT, 57420895, 264
SPRING SPOOL, 57213456, 166	STRAINER ASY, 52203627, 324
SPROCKET	STRAP
2 P. 20 TEETH, 57407009, 117	57053332, 118
57457152, 24	DUST CURTAIN
SPROCKET GROUP, 57522906, 24	57555617, 463
SPROCKET W/BUSH–20T, 57407173, 117	57582405, 463
STANDPIPE	FRONT, 57569659, 462
57082554, 390	REAR, 57591489, 462
57085573, 390	STRAP–DUST CURTAIN, SIDE, 57569667, 462
57085599, 390	STRIP, 57356693, 36
57424806, 390	STUD
STARTING KIT, 57047300, 230	57497794, 132 , 462 , 523
STEM, 50023910, 173 , 390	ADAPTER, 59383463, 332
STEP, CAB, 57214470, 63	STUD–DOOR SPRING, 57561680, 72
STEP INSTL–DC SIDE, 57491284, 16	SUB 57213381–BRAKECLUTCH
STEPSEAL, 57245532, 52 , 56	52221108, 162
STOP	52221116, 163
57505224, 183	SUBPLATE
57514895, 318	57106965, 346
LOWER CAROUSEL, 57550030, 146	MANIFOLD, 57329583, 341
	SUPPORT
	50691609, 145
	54409156, 302
	57457491, 36

Index

AIR CLEANER, 57506545, 217
BEARING, 57339830, 163
DC ASSY, 57479321, 443
DECK CAB SIDE, 57394025, 6
HYDRAULIC MOTOR, 57573065, 153
SHAFT–MIDDLE, 57405979, 145
TOWER–DM45/50/L, 57582355, 4
SUPPORT ASSEMBLY, 57457459, 36
SUPPORT LOWER–ROD CHNGR, 57405953,
145
SUPPORT MIDDLE–ROD CHNG, 57405961,
145
SUPPORT MOTOR, 57212854, 162
SUPPORT UPPER– ROD CHNGR, 57405946,
145
SUPPORT–L.H., 57455941, 14
SUPPORT–R.H., 57455958, 14
SWITCH
2–POSITION, 57332215, 107 , 417
3–POSITION, 57332199, 108
4P. ON–ON–ON, 56244775, 107
52218294, 96
BATTERY SELECTOR, 57236705, 501
COOLANT–N14, 57474140, 202
INDUCTIVE PROX., 56276835, 532
KEY, 56993678, 107
LIMIT
50518653, 372 , 393 , 473 , 540
52192556, 495
MASTER DISCONNECT, 57389728, 212
MINIATURE LIMIT, 57378192, 107
PRESSURE, 57209884, 512
PUSH BUTTON, 52185832, 107 , 484 , 548
ROTARY, 57477937, 84
SPST/ON–OFF, 57179608, 107
TOGGLE
57216913, 107 , 108 , 473
ON–ON–OFF, 57608788, 560
TOGGLE WIRE LEAD, 57554842, 84
TOGGLE–SPST, 56762198, 107
VACUUM, 57315137, 257
SWITCH ASSY
56967292, 507
IR AP, 57554693, 80
SWITCH NUT, HEAT/COOL, 57554883, 84
SWITCH NUT STANDARD, 57554875, 84
SWITCH PUSHBUTTON, 855017P0286, 107 , 546
SWITCHGAGE
57018533, 107
OIL PRESSURE, 56993702, 107
SWIVEL
52248176, 172
52248184, 172
SWIVEL ASSY – SEAT, 57561870, 73
SWIVEL TEE, 57339863, 163
SWIVEL–90DEG, INT NPT/JIC, 95302147, 241
T
TACHOMETER, 56993694, 107
TANK
FUEL–380 GAL, 57533606, 228
SURGE, ASSY, 54414446, 204
VERT SEP 24”DIA, 57569717, 271
WATER–300GLW/AF, FLG, 57500449, 427
TEE
95279956, 237

INDEX

Index

INDEX

95322780, 272	TRACK LINK ASSY, 57457681, 24
BRANCH, 35279843, 250	TRACK PIN
NPT/JIC, 95730990, 276	57457715, 44
TEE 135A23S2, 95280087, 265	57457731, 44
TEE MALE BRN, 52221496, 163	TRACK ROLLER GROUP, 57457574, 24
TEE–JIC RUN/ORING, 57482580, 368	TRANSITION, 57435976, 443
TERMINAL	TUBE
14–16 AWG MALE, 59854828, 209 , 421	36758175, 250
56921430, 193	36758183, 250
57073637, 514	36758191, 250
FEMALE, 95985925, 422	36758217, 250
HAND–HELD DISPL, 57525016, 532	50906379, 332
PACKARD SLEEVE, 57176604, 421	52201670, 316
RING, 95359329, 193 , 498	56951700, 171 , 284
THERMOMETER, 50463454, 355	AIR, 57084980, 217
THERMOSTAT, ROTARY, 57554859, 84	AIR INLET, 57175457, 217
THERMOSTAT KIT, OIL PAN, 57194144, 564	FUEL TANK SUCTION, 57313058, 237
THRESHOLD	KAZOO, 57554834, 82
L.H. DOOR, 54589874, 73	OIL, 36771731, 250
R.H. DOOR, 54589866, 73	PRESS, 52248119, 316
TIMER, DC ELECTRIC, 57284671, 446	RND, 4.5ODX3.5IDX226, 57406118, 145
TIMER BOX, BARE, 57514804, 446	SCAVENGE, 39871694, 271
TONG ASSY–W/FLAT INSERTS, 50021120, 568	SHRINK, 54409594, 302
TOOL	SUCTION–FUEL, 57475873, 228 , 427
CRIMPING, 57482614, 209	TUBE ASSEMBLY, 57423956, 476
PIN/SEAL–EXT INSTL, 57482606, 209	TUBE ASSY
TRACK BUSHING, 57457707, 44	52155066, 316
TRACK GROUP, 57457673, 24	57242620, 148
TRACK LINK	57245573, 52 , 56
LH, 57457723, 44	TUBE–CROSS PORT CONNECT., 57137036, 507
RH, 57457764, 44	TUBING
	RND, 57024218, 568
	ROD CATCHER, 57445678, 180

Index

SERVO CONTROL, 54409867, 295
SHINK-1/8 DIA., 56277759, 422
SHRINK 1/4", 54501093, 422
VINYL, 50247709, 355

U

U-BOLT

1.50 ID, 36761831, 250
57079022, 257
95299590, 456
95381828, 368

U-CUP

57163453, 408
57220352, 478
57233652, 478
57326803, 408
LOADED, 57224115, 148

UNDERCARRIAGE, 330S W/Y&A, 57483653, 22

V

V-BELT, 95802245, 96

VALVE

2-WAY, 50429356, 370
2-WAY CART., 57325649, 350
4-WAY, 57106460, 346
4-WAY D03, 57325623, 350
50416551, 32, 34
50907120, 434
57456691, 32, 34
6-SPOOL, 24V COILS, 57326472, 396
9-SPOOL, 24V COILS, 57394991, 400
ADAPTER, 54426184, 452

BALL-1/2, 50829605, 99, 271, 356, 443, 507
BALL-1/4, 40027344, 446
BALL-3/4, 50212224, 237, 274
BLOWDOWN, 35849215, 260
BUTTERFLY-8, 57433773, 247
BY PASS, 57113367, 360
CHECK
50247733, 355
50261825, 264, 355, 356, 368
50347889, 390
50829480, 228, 237
57069452, 234
CHECK-16 JIC, 57167728, 284, 356, 378
CHECK-4, 35362656, 268
CHECK-DBL PILOT O\$, 50462944, 183
CHECK-DBL PILOT OP, 50462944, 380, 393, 405, 473
CHECK-DBL PILOTOP, 50462944, 463
COUNTERBALANCE, 57205007, 52, 56
DIVERTER, 57106429, 344
EXPANSION BLOCK, 57477911, 88
FLOW CONTROL, 57227985, 443
IMPULSE, 56934185, 446
MANUAL SHUTOFF, 52172723, 274
MEASURED SHOT, 57301855, 230
MIN PRESSURE 65, 57546178, 271
MOTOR CONTROL, 57167298, 178
PILOT (400 PSI), 54408547, 324
PRESSURE CONTROL, 57309536, 364, 366
PUMP RELIEF, 57244352, 341
REDUCING CART., 57325664, 350
REDUCING/RELIEVING, 56263239, 178
RELIEF
50622273, 274

INDEX

Index

INDEX

- 52146883, 427
- 54417993, 350
- 57352825, 356
- RELIEF (ATM), 57568487, 173
- RELIEF-VENTED, 57142515, 368
- SAFETY
 - 57018673, 446
 - 57421349, 271
- SHUTOFF
 - DISCHG, PORT, 57440646, 96
 - SUCTION PRT, 57440653, 96
- SHUTTLE, 56263247, 178
- SOLENOID, 57003790, 446
- SOLENOID N.C., 57315111, 257
- SOLENOID-3WAY/2POS, 57312563, 484 , 512
- TEMP. BY-PASS, 58233016, 265
- WORK PORT RELIEF, 57394934, 398
- VALVE ASSY
 - 52154911, 310 , 324
 - DIVERTER, 57450751, 341
 - WATER, 57554750, 86
- VALVE ASSY-DR/PR CONTROL, 57576969, 342
- VALVE BLOCK, 54408422, 324
- VALVE BLOCK ASSY, 57306268, 288
- VALVE BLOWDOWN ASSY, 57546260, 258
- VALVE SEAT, 52155447, 324
- VALVE-CHECK, 57447880, 384
- VALVE-COUNTERBLNCE VENTED
 - 57447856, 384
 - 57447864, 384
- VALVE-DR/PR CONTROL, 54418116, 350
- VALVE-SEQUENCE, 57447872, 384
- VANE
 - 52179587, 450
 - 57192098, 329
- VANE HOLD DOWN SPRING, 57064065, 322
- VANE PIN, 57192106, 329
- VANE SPRING, 52179579, 450
- VENT
 - 50811173, 355
 - FILTER, 56799125, 507
- VENT ASSEMBLY, 57420085, 512
- W**
- WARMER, INTANK-26LG, WATER, 57500423, 428
- WARNING PLATE ASSY-LH, 57457350, 34
- WARNING PLATE ASSY-RH, 57457343, 32
- WASHER
 - 52144326, 431
 - 52144425, 431
 - 52154788, 306
 - 52201779, 290 , 300
 - 54409313, 304
 - 54409370, 302
 - 56986599, 284
 - 57267577, 145
 - 57357097, 46
 - 57457186, 24 , 25
 - 57457699, 44
- BAR, 50692243, 188
- CINCH, 58233693, 202
- FLAT HARDENED, 54409644, 300
- FLAT-HARDENED, 57318743, 247

Index

GSKT, 35251545, 360	57233660, 478
LOCK	57520959, 52 , 56
50718188, 431	59322677, 408 , 468
56987233, 163	DRIVE ARM, 57541104, 562
56987308, 163	FELT, 54426226, 448 , 454
57437089, 252	
TONGUED, 57291296, 171	WIRE
LOCK-1-1/2, 95238119, 118	10AWG-BLACK, 50249697, 498
LOCK-TONGUED, 57291288, 171	10AWG-RED, 50249689, 498
NYLITE, 52154622, 288 , 290 , 292	10AWG-WHITE, 50628809, 498
THRU, 50334457, 117	12AWG-BLACK, 50249705, 102
THRUST	12AWG-GREEN, 52251964, 102
52204856, 320	12AWG-WHITE, 50249713, 102
54407457, 290	14AWG-GREEN, 50625938, 230 , 546
54407481, 290 , 300	56893217, 390
57212979, 162	ELECT GREEN, 54409354, 304
57213035, 162	ELECT RED, 54409347, 304
57213126, 162	ELECTRICAL, 58150103, 228 , 509
57213266, 163	ELECTRICAL-14/3, 58150111, 548
57553471, 29	LINK-#12, 56987795, 193
57553513, 29	LOCK, 50344605, 118 , 153 , 172 , 173
WASHER SEAL, 57213340, 163	WIRE LINK-9, 56999360, 193
WASHER THRUST, 57213134, 162	WIRE ROPE, 57068595, 92
WASHER-HARD, 57356669, 36	WIRE ROPE-7/8 DIA., 57214603, 12
WASHER-PLATED, 57355075, 25	WIRING, ENG-QSK2STRT-ELEC, 57554297, 188
WASHER-THRUST, 57356867, 40	WRENCH, CHAIN ADJUSTING, 52230786, 568
WELDMENT, TOWER, 35FT, 57613317, 122	
WHEEL, BLOWER, 57018608, 446	
WINCH, BRADEN 8, 000 LB, 57329849, 160	
WIPER	
57224123, 148	

INDEX

Y

YOKE	57341133, 486
OSCILLATION-DML, 57383077, 22	

Index

Numbers

10040541, SOCKET, 568	35861269, DECAL, CORPORATENAMEPLATE, 595
13084207, LOCK-NUT, 476	36756211, MANIFOLD, 250
13084215, HEAD, 476	36756252, COVER, 250
30441570, CABLE, BATTERY, 209	36758142, GEAR SET – AIREND, 250
35098052, AIR END-LOW PRESSURE, 247	36758175, TUBE, 250
35132299, SILENCER, PNEUMATIC, 260	36758183, TUBE, 250
35144385, MUFFLER, 257	36758191, TUBE, 250
35251511, O-RING, 360	36758217, TUBE, 250
35251529, HOUSING, 360	36761831, U-BOLT, 1.50 ID, 250
35251545, WASHER, GSKT, 360	36762680, ORIFICE, INSERT-.625 ID, 250
35251552, SPRING, 360	36771731, TUBE, OIL, 250
35252600, NUT, LOCK, 5/16 –18, 250	39417118, ADAPTER, 1/4”, 271
35277151, GLASS, 360	39476916, SIGHT GLASS, 271
35279835, ELBOW, 45 – 6, 250	39871694, TUBE, SCAVENGE, 271
35279843, TEE, BRANCH, 250	40027344, VALVE, BALL-1/4, 446
35283068, ELBOW, 90 DEGREES, 250	50014414, BOLT, JAW-CHAIN TONG, 570
35287937, ELBOW, 90 DEGREES, 250	50021120, TONG ASSY-W/FLAT INSERTS, 568
35287945, EXPANDER, 250	50021187, JAW-CHAIN TONG, 570
35291384, ELBOW, 1-5/16-12-16 JIC, 250	50021202, PIN, HANDLE-CHAIN TONG, 570
35299825, LEVER, 257	50021229, SPRING, CHAIN TONG, 570
35304021, GASKET, 250	50021237, BUSHING, CHAIN TONG, 570
35309277, PUMP, 250	50023910, STEM, 173 , 390
35362656, VALVE, CHECK-4, 268	50024371, SPRING, CHAIN TONG, 570
35375591, SCREW, HEX-M16-2X030, 250	50024389, KEY, INSERT-CHAIN TONG, 570
35849215, VALVE, BLOWDOWN, 260	50024397, INSERT, JAW-FLAT, 570
	50024512, PIN, SPRING-CHAIN TONG, 570
	50034818, CLAMP, HALF, 132

INDEX

Index

50034826, CLAMP, HOSE, 380 , 382 , 405	50249705, WIRE, 12AWG–BLACK, 102
50057132, OIL, GEAR, 284	50249713, WIRE, 12AWG–WHITE, 102
50067131, BLOW GUN D, 574	50258193, PLATE, MOUNTING, 160
50067479, CAP, 427	50258441, PUMP, FUEL, 228
50067834, PIN, 50 , 54	50261825, VALVE, CHECK, 264 , 355 , 356 , 368
50072347, SLIDE, 50 , 54	50262526, ANTI–FREEZE, 202
50105832, ANCHOR D, 50 , 54	50266832, BAND, 197
50171941, PIN, ANCHOR, 50 , 54	50268986, CAP, 204
50173467, CAP, 50	50270040, LIGHT, PILOT, 108 , 393
50209501, GUIDE, SPRING–CHAIN TONG, 570	50279413, BAND, MOUNTING–AIRCLEANR, 217
50209675, HANDLE, CHAIN TONG, 570	50333699, COVER, 145
50212224, VALVE, BALL–3/4, 237 , 274	50334457, WASHER, THRU, 117
50219955, PIN, LOCKING, 568	50338987, PIN, SPROCKET, 117
50243088, REST, WRENCH, 568	50339001, PIN, CYLINDER, 117
50243518, BEARING ASSY, 146	50339019, PLATE, LOCKING, 117
50245281, GUN, BLOW–WITH 25’ HOSE, 568	50339027, SHIM, GUIDE, 117
50245299, CONNECTOR, HOSE, 574	50339043, BOLT, CHAIN, 117
50245307, COUPLING, QD, 574	50343490, ELEMENT FILTER–3 MICRON, 348 FLTR–3 MICRON, 590
50245810, SHEAVE, WIRE, 160	50344605, WIRE, LOCK, 118 , 153 , 172 , 173
50247691, STRAINER, OIL, 355	50347889, VALVE, CHECK, 390
50247709, TUBING, VINYL, 355	50348804, PLATE, 341
50247733, VALVE, CHECK, 355	50364199, FITTING, TUBE, 355
50248368, RETAINER, BEARING, 146	50412626, BUSHING, 117
50248426, SPACER, 146	50416551, VALVE, 32 , 34
50249689, WIRE, 10AWG–RED, 498	50419670, GASKET, 197
50249697, WIRE, 10AWG–BLACK, 498	50429356, VALVE, 2–WAY, 370

Index

INDEX

- 50429455, BRACKET, VALVE, 370
- 50462324, GUIDE, 50
- 50462332, PLATE, 50
- 50462944, VALVE
 - CHECK-DBL PILOT O\$, 183
 - CHECK-DBL PILOT OP, 380 , 393 , 405 , 473
 - CHECK-DBL PILOTOP, 463
- 50463454, THERMOMETER, 355
- 50463868, COUPLING ASM, 427
- 50469238, CAP, WEATHER, 197
- 50495860, SEAL, SHAFT, 329
- 50518083, SHIM SET, 188
- 50518653, SWITCH, LIMIT, 372 , 393 , 473 , 540
- 50525187, LUBRICANT, 35 LB. CAN, 484
- 50595115, SHAFT, INPUT, 332
- 50597434, O-RING, 332
- 50597442, RING, SNAP, 332
- 50597624, ADAPTER, SAE C, 332
- 50597632, ADAPTER, PUMP D, 332
- 50597640, ADAPTER, INPUT, 332
- 50597657, PINION, 332
- 50597665, GEAR, 332
- 50604479, DOWEL PIN, 295 , 329
- 50610971, RING, THREADED, 172
- 50611235, LAMP, PANEL, 108
- 50615871, CYLINDER, WATER PUMP, 431
- 50616416, ELEMENT, SAFETY, 222
- 50616424, ELEMENT, PRIMARY, 222
- 50616770, GAUGE, FUEL, 427
- 50622273, VALVE, RELIEF, 274
- 50622810, PIPE, EXHAUST ELBOW, 197
- 50623727, CABLE ASSY, BATTERY, 212
- 50624709, SHIM, GUIDE, 172
- 50625839, BUSHING, CONDUIT, 422
- 50625847, BUSHING, CONDUIT-3/4, 422
- 50625888, BOX, HANDY, 102
- 50625896, COVER, HANDYBOX FORRECPT, 102
- 50625912, RECEPTACLE, 102
- 50625938, WIRE, 14AWG-GREEN, 230 , 546
- 50625946, CONNECTOR, CORD GRIP, 443
- 50628007, LOCK, SPINDLE, 156
- 50628726, BUSHING, 422
- 50628734, BUSHING, 523
- 50628809, WIRE, 10AWG-WHITE, 498
- 50630656, FILTER, MAGNETIC, 341
- 50632538, BEARING, BALL, 329
- 50644558, RING, SNAP, 329
- 50691609, SUPPORT, 145
- 50691690, ADAPTER, 355
- 50691831, NIPPLE, 355
- 50691989, FLANGE, 284
- 50692011, FITTING, HYD, 551
- 50692243, WASHER, BAR, 188
- 50694876, PACKING, SWIVEL, 172

Index

50694934, BUSHING, WEAR, 172	50727031, SEAL GROUP–DUO CONE, 40
50695964, CAP, 555	50727429, SEAL, 40
50695972, NIPPLE, RECEIVER–HYD, 555	50727734, SEAL, 40
50695980, RECEIVER, 555	50743731, CLAMP, HOSE, 390
50695998, CAP, HYD RECEIVER, 555	50806223
50700731, COMPOUND, SILICONE, 173	RING, SNAP, 448
50702927, BUSHING, CHAIN ANCHOR, 117	RING, SNAP, 329
50708890, CRANKSHAFT, 431	50806488, BALL, STEEL, 434
50709013, INSERT, BEARING, 431	50810993, DECAL, HYD.OIL LEVEL, 355
50709336, SPRING, COMPRESSION, 348	50811173, VENT, 355
50709666, END CAP, 448	50813575, PLATE, LOCKING, 134
50717743, O–RING, 332	50814581, FITTING, HYD, 507
50717750, SEAL, OIL, 332	50815638, BOLT, 360
50717974, BEARING, BALL, 431	50815646, ALARM, DIRTY FILTER, 348
50717982, RING, SNAP, 431	50815653, ELEMENT, BUSHING, 348
50717990, REAR FOOT, 431	50815661, MAGNET ASSY, 348
50718022, ROD ASSY, 431	50815679, SPRING PLATE, 348
50718030, PIN, WRIST, 431	50815695, O–RING, 348
50718048, CROSSHEAD, 431	50815703, HOUSING, SINGLE ELEMENT, 348
50718055, CASE, 431	50815711, RING, RETAINING, 348
50718063, FOOT, FRONT, 431	50815794, SEAL, SQ SECT, 448 , 454
50718089, SEAL, 431	50815802, BEARING, NEEDLE, 448
50718105, SCREW, 431	50815810, PIN, DOWEL, 448
50718162, PLUG, 431	50815851, SEAL, SQ SECT, 329 , 448 , 454
50718170, AIR VENT, 431	50815901, RING, SNAP, 448
50718188, WASHER, LOCK, 431	50816271, SCREW, 329
	50816289, PIN, 329
	50816404, BODY ASSEMBLY, UPPER, 222

Index

INDEX

- 50817089, PINS, 308 , 312
- 50817113, CHAMBER, 220
- 50822097, SLEEVE, WEAR, 172
- 50822147, PUMP, WATER-8 GPM, 427
- 50822154, KIT, REPAIR-VALVE, 431
- 50822162, KIT, REPAIR-PISTON, 431
- 50829480, VALVE, CHECK, 228 , 237
- 50829605, VALVE, BALL-1/2, 99 , 271 , 356 , 443 , 507
- 50829704, DECAL, VENT MANIFOLD, 355
- 50829712, DECAL, DRAIN MANIFOLD, 355
- 50830199, PIN-ROLL, 302 , 325
- 50875368, HOUSING, BEARING, 434
- 50875426, PLATE, WEAR, 434
- 50875491, PLATE, BALANCE, 434
- 50875525, PIN, 434
- 50875533, SPRING, 434
- 50903236, BREATHER, 355
- 50906379, TUBE, 332
- 50907104, DRIVE, 434
- 50907112, PLATE, 434
- 50907120, VALVE, 434
- 50907146, PLUG ASSEMBLY, 434
- 50907179, PLUG ASSEMBLY, CHECK, 434
- 50928175, COVER, 176
- 50943240, NUT, 332
- 50961184, HOUSING, VALVE, 434
- 51021764, ADAPTER, STR-12-6SJIC/ORG, 396
- 51076156, O-RING, 346
- 51076164, O-RING, 346
- 51076172, O-RING, 346
- 51076271, BOLT KIT, 346
- 51079176, SEAL, SHAFT, 448 , 454
- 51375475, KIT, SPACER BEARING, 434
- 52106432, MOTOR, WIPER, 562
- 52106457, LOUVER, AURORA, 72
- 52106606, LATCH, CAM, 76 , 78
- 52106630, BRACKET, MOUNTING, 76 , 78
- 52142031, MUFFLER, FILTER, 257
- 52142841, BOX, CAST, 102
- 52143195, SLEEVE, ADAPTER, 332
- 52144276, CHAMBER, 431
- 52144318, PACKING, 431
- 52144326, WASHER, 431
- 52144391, SLINGER, 431
- 52144409, NUT, SPEED, 431
- 52144425, WASHER, 431
- 52146784, SEAL, OIL, 171
- 52146883, VALVE, RELIEF, 427
- 52146958, ELEMENT, PRIMARY, 220
- 52146966, ELEMENT, SAFETY, 220
- 52147543, BLOCK, GUIDE, 117
- 52152501, HOSE STEM, 272
- 52153087, BASE, WATER INJECTION, 427

Index

52154499, GASKET, 288	52155314, O-RING, 295 , 316 , 322 , 324
52154515, SEAL, SHAFT, 288	52155322, COVER, 322
52154580, PLATE, 288	52155330, COVER, CONTROL, 322
52154606, SCREW, 288	52155348, PIN, 322
52154622, WASHER, NYLITE, 288 , 290 , 292	52155363, SEAL, 322
52154739, BEARING, 310	52155371, BALL, 322 , 452
52154770, PLATE, 306	52155439, SEQUENCE SEAT, 324
52154788, WASHER, 306	52155447, VALVE SEAT, 324
52154796, BEARING, 306	52155454, PIN, 324
52154887, CLAMP, 310	52155512, RETAINER, 324
52154895, SCREW, 310	52155546, SPRING, 324
52154903, LOCKWASHER, 310	52155603, SEAT, 324
52154911, VALVE ASSY, 310 , 324	52155637, HOUSING, 324
52154929, PLUG, 310	52155645, O RING, 324
52154937, O-RING, 310 , 324	52155660, SPRING GUIDE, PISTON SEAL, 324
52154994, O-RING, 314	52155686, CONE, 324
52155017, PIN, ROLL, 314	52155751, RING, RETAINING, 288
52155033, GASKET, HOUSING, 312	52155843, RING, RETAINING, 318
52155041, BEARING, 314	52164282, SEAL, OIL, 171
52155066, TUBE ASSY, 316	52172723, VALVE, MANUAL SHUTOFF, 274
52155116, MTG FLG, 316	52175809, BOX, 1/2 STONCO, 420 , 490
52155140, RING, RETAINING, 320	52179488, PLATE, PORT, 448
52155157, RING, RETAINING, 320	52179496, SEAL, SECTION, 448 , 454
52155165, RING, RETAINING, 320	52179504, BEARING, BALL, 448
52155256, SCREW, 322	52179579, VANE SPRING, 450
52155306, PLUG, 322 , 324	52179587, VANE, 450
	52179595, SEAL KIT, 448

Index

- 52180957, GREASE, 173
- 52185832, SWITCH, PUSH BUTTON, 107 , 484 , 548
- 52187804, SLINGER, 172
- 52192556, SWITCH, LIMIT, 495
- 52192564, LEVER, OPERATING, 495
- 52193521, GEAR, PINION, 152
- 52197530, FITTING, HYD, 264
- 52197589, HOSE ASSY, 237 , 241
- 52197647, HOSE ASSY, 544
- 52197860, HOSE ASSY, 340
- 52198058, FITTING, HYD, 237
- 52201662, SHAFT, 288
- 52201670, TUBE, 316
- 52201738, SERVO PLATE, 288 , 322
- 52201761, SEAL, SHEAR, 290 , 300
- 52201779, WASHER, 290 , 300
- 52201787, SEAL, SHEAR, 290
- 52201795, BEARING, 300
- 52201803, RING, RETAINING, 290
- 52201811, PIPE PLUG, 290
- 52201852, BLOCK, 310
- 52201894, PIN, DOWEL, 306
- 52201928, RING, 306
- 52201936, RING, 306
- 52203627, STRAINER ASY, 324
- 52203668, PLATE, CREEP, 320
- 52203718, CRADLE, 322
- 52203767, O-RING, 322
- 52204765, HOUSE ASSY, 312
- 52204799, PLATE, PORT-RH 15/32, 308
- 52204815, BLOCK-PORT, 308
- 52204831, GEROTOR, 306
- 52204856, WASHER, THRUST, 320
- 52204864, RING, RETAINING, 320
- 52204872, RING, RETAINING, 320
- 52204880, PISTON/SHOE ASSY., 320
- 52208691, BRACKET, MOUNTING, 183 , 393 , 405 , 473
- 52209913, ADAPTER, SAE, 390
- 52209939, BEARING, 172
- 52210317, SHIM SET, 172
- 52215647, SERVO LINK, 300
- 52218294, SWITCH, 96
- 52220993, PLUG, 163
- 52221108, SUB 57213381-BRAKECLUTCH, 162
- 52221116, SUB 57213381-BRAKECLUTCH, 163
- 52221124, SNAP RING, 163
- 52221173, SNAP RING, 163
- 52221231, BEARING, ROLLER, 162
- 52221355, BOLT, 162
- 52221470, LCKWSHR 1/2, 162
- 52221488, ELBOW ST 90, 163
- 52221496, TEE MALE BRN, 163
- 52221645, DISC FRT FBR, 162

Index

52223781, OIL, HYDRAULIC, 355	52235363, BRACKET, OIL, 188 , 356
52223807, DECAL, HYDRAULIC OIL, 356	52236049, HEATER, 488
52223831, OIL, MOTOR, 188	52236486, PLATE, COVER, 102
52224722, CHAIN, LOWER, 122	52236544, GASKET, 1–1/2, 420 , 422 , 523
52225547, HOSE ASSY, 544	52236551, GASKET, 1, 421
52225851, HOSE ASSY, 134	52236569, GASKET, 3/4, 422
52225877, HOSE ASSY, 370	52236577, GASKET, SEALING, 422
52225950, HOSE ASSY, 544	52236783, CLAMP ASSY 1/2, 523 1/2", 495 , 540
52226156, FITTING, HYD, 237 , 368	52237146, FILTER, FUEL–RACOR, 232
52226164, FITTING, HYD, 340	52237153, HEATER, 24VDC FUEL, 234
52226420, HOSE ASSY, 340	52237161, FILTER, FUEL, 234
52226479, HOSE ASSY, 508	52240363, NUT, SEALING, 523
52226768, HOSE ASSY, 341 , 508	52240389, NUT, SEALING, 443
52227154, BRACKET, 284	52240397, BOX, 3/4 STONCO, 420 , 421
52227337, PIN, SPROCKET, 117	52240439, PLATE, TAPPED, 495 , 524 , 536
52228475, HOSE ASSY, 232	52240959, PLATE, TAPPED, 342 , 396 , 400 , 420 , 422 , 490 , 523
52228848, SHEAVE W/BUSH–1 ROPE, 117	52243789, PLATE, MTG, 495
52230786, WRENCH, CHAIN ADJUSTING, 568	52244142, FITTING, HYD, 276
52230869, SHAFT ASSY, 448	52245461, ADAPTER, 171
52231008, COVER, 176	52245479, HOUSING, 171
52231107, GUARD, COUPLING, 427	52245578, BRACKET, 284
52231818, BRACKET, 257	52246519, CABLE, GROUND–1/0 X 36, 193
52233194, CAM RING ASM, 448	52246774, FUEL, DIESEL, 228
52233954, CYL RETAINER, 405	52247657, PLATE, COVER, 247
52234887, SHAFT, 448	52248119, TUBE, PRESS, 316
52235207, MOTOR, HYDRAULIC, 427	52248150, HOUSING, UPPER SEAL, 171

Index

INDEX

52248168, HSG, UP. SEAL (RAW CAST), 171	54387006, REDUCER, JIC, 272
52248176, SWIVEL, 172	54406046, BLOCK, VALVE TERMINAL, 350
52248184, SWIVEL, 172	54407309, DRIVE SHAFT & BEARING, 288
52249869, KIT, SHAFT AND BEARING, 434	54407317, BEARING, 288
52249877, KEY, 434	54407325, RING, RETAINING, 288
52249885, DRIVE, 434	54407333, RING, RETAINING, 288
52251964, WIRE, 12AWG–GREEN, 102	54407341, RING, RETAINING, 288
52253176, GAUGE, SIGHT, 172	54407358, RETAINER, SEAL W/O RING, 288
52254885, FILTER, HYDRAULIC, 355	54407366, SCREW, 288
52255254, HOSE ASSY, 484	54407390, SCREW, 288 , 290 , 292
52255270, HOSE ASSY, 544	54407416, O–RING, 290 , 325
52255320, HOSE ASSY, 509	54407457, WASHER, THRUST, 290
52259363, FILTER ASSY–HYD, 358	54407473, INDICATOR, 290
52262631, FITTING, HYD, 524	54407481, WASHER, THRUST, 290 , 300
52263183, ELEMENT	54407580, SCREW, ADJ, 298
FILTER–MAIN HYD, 360	54407606, PIN, 298
FLTR–MAIN HYD, 590	54407630, SPOOL, CENT LUBE GROOVES, 298
52263191, ELEMENT, FLTR, 590	54407648, SCREW, 288
52263209, ELEMENT, 10–MICRON FILTER, 590	54407671, GEROTOR, 306
52263530, MANIFOLD, 358	54407739, KEY, SQUARE, 306
52263548, MANIFOLD, 358	54407762, O–RING, 306
52263555, O–RING, 358	54407796, O–RING, 306
52263563, BOLT, 358	54407812, NUT, 306
52263787, GASKET, 247	54407838, PIN, 306
52265311, INDICATOR, RESTRICTION, 217	54407853, RING, RETAINING, 306
52270105, SHIM SET, 247	54407879, O–RING, 306
52277431, ELBOW, RUBBER, 217	54407903, PLUG, 306

Index

54407945, SCREW, 308	54408471, POPPET, DUAL & REPL, 324
54407960, RING, 310	54408489, PLUG, 324
54407994, PLUG, 310	54408497, PIN, MODULATING, 324
54408026, PIN, DOWEL, 314	54408505, GASKET, VLV BLK, 324
54408059, PLUG, 314	54408513, POPPET, SEQ, 324
54408133, RETAINER, BEARING, 314	54408539, SPRING, SEQ & SERVO, 324
54408190, BARREL/AUX SHAFT ASSY, 316	54408547, VALVE, PILOT (400 PSI), 324
54408232, BARREL & SLEEVES, 318	54408554, O-RING, 324
54408273, SPRING, 318	54408570, PLATE, RETAINER, 324
54408299, RING, RETAINING, 320	54408588, SCREW, 324
54408315, PLATE, RETAINER, 320	54408596, O-RING, 325
54408323, PISTON & SHOE, 320	54408612, HOLDDOWN, GEROTOR& BAR- REL, 288
54408331, SCREW, 322	54408620, PORT BLOCK/HOUSING ASSY, 288
54408349, SCREW, 322	54408638, HOUSING, END CAP, 288
54408356, SCREW, 322	54408646, BARREL/SHAFT/CRADLE ASM, 288
54408364, CONTROL CHAMBER, 322	54409123, SERVO SHAFT ASSY, 290
54408372, PLATE, SEAL VANE, 322	54409131, BODY, FORCE MOTOR, 302
54408380, SEAL VANE, 322	54409149, PLATE, MOUNTING, 302
54408398, SPACER, VANE, 322	54409156, SUPPORT, 302
54408406, ROCKER AND PLUG, 322	54409164, SCREW, 302
54408414, PIN, DOWEL, 316	54409172, JET PIPE & BASE ASSY, 302
54408422, VALVE BLOCK, 324	54409180, PLATE, MOUNTING, 302
54408430, PLUG, 324	54409198, RECEIVER, 302
54408448, O-RING, 324	54409206, SCREW, 302
54408455, NUT, HEX JAM, 324	54409214, COIL & MAGNET, 302
54408463, SPRING, 324	54409222, POLE PIECE, 304
	54409230, MAGNET, 304

INDEX

Index

INDEX

54409248, POLE PIECE, 304	54409610, O-RING, 302
54409255, LINK, 304	54409628, SERVO SHAFT, LINK & SHEAR, 298
54409263, COIL & SPIDER, 304	54409636, SHAFT, SERVO, 300
54409271, PUSHER & SPRING, 304	54409644, WASHER, FLAT HARDENED, 300
54409289, SCREW, 304	54409651, O-RING, 295 , 300
54409297, SPACER, 304	54409669, PLATE, COVER, 298
54409305, SCREW, 304	54409677, PLUG, 298
54409313, WASHER, 304	54409685, O-RING, 298
54409321, PC BOARD, 304	54409693, FITTING, 298
54409347, WIRE, ELECT RED, 304	54409701, SCREW, 295
54409354, WIRE, ELECT GREEN, 304	54409719, BODY, EH STROKER, 295
54409362, SPACER, 302	54409727, SPOOL, HYD STROKER, 295
54409370, WASHER, 302	54409735, GASKET, 295
54409396, MOTOR, FORCE, 302	54409743, PLATE, COVER, 295
54409420, SCREW, NULL ADJ, 302	54409750, SCREW, 295
54409438, NUT, LOCK, 302	54409768, O-RING, 295
54409446, CONNECTOR, 302	54409776, PLUG, 295 , 316
54409461, O-RING, 302	54409784, SCREW, 295
54409479, SCREW, 302	54409800, O-RING, 295
54409487, SPRING ASSY, 302	54409818, CLAMP, 295
54409537, O-RING, 302	54409826, PIN, 295
54409545, SPRING ASSY, 302	54409834, LINK, CONTROL, 295
54409560, SCREW, 302	54409842, BUSHING, 295
54409578, O-RING, 302	54409859, PIN, 295
54409594, TUBE, SHRINK, 302	54409867, TUBING, SERVO CONTROL, 295
54409602, NUT, COVER, 302	54409909, CONNECTOR, 295
	54409917, SCREW, FILTER STRAINER, 295

Index

54409925, ELEMENT, FILTER, 295	54454087, KIT, SEAL–HYD, CYL, 466
54409933, FITTING, SWIVEL NUT ELBOW, 295	54460589, PULLEY, 3” ALUMINUM, 532
54410105, PIN, 300	54465646, RING, CAM, 450
54410741, ROCKER CAM/PISTONS, 316	54478490, MOUNT, ENCODER DIRECT DRV, 532
54413000, GAUGE, PRESSURE W/SNUBBER, 107	54479910, SHIM, 58
54414446, TANK, SURGE, ASSY, 204	54479928, SHIM, 58
54414552, CABLE, ENCODER TO TWR BOX, 532	54479936, SHIM, 58
54414743, RETAINING RING GROUP, 320	54479944, BODY, CARTRIDGE, 58
54416300, BEARING, 295	54479951, SPRING, END, 58
54416946, KIT, RETAINING RING, 288	54479969, BALL, 58
54417993, VALVE, RELIEF, 350	54479977, SPRING, 58
54418108, MANIFOLD ASSY–DR/PR CONT, 350	54479985, O–RING, 58
54418116, VALVE–DR/PR CONTROL, 350	54479993, RING, BACKUP, 58
54418546, SEAL KIT, 350	54480009, POPPET, 58
54418991, CYLINDER–HYD, DUSTCURTAIN, 462	54480017, PLUG, SEAT, 58
54422837, REEL, STATIC DISCHARGE, 532 , 533	54480025, RING, BACKUP, 58
54426135, SCREW, CAP SOCKET HEAD, 448	54480041, O–RING, 58
54426150, ROTOR, 450	54480058, O–RING, 58
54426168, PLATE, PORT, 452	54480066, SPRING, 58
54426176, SCREW, SET, SOCKET, 452	54494018, PLATE, PORT, FRONT, 329
54426184, VALVE, ADAPTER, 452	54494026, PLATE, PORT, REAR, 329
54426226, WIPER, FELT, 448 , 454	54498357
54426242, BODY, 448	CONTROLLER, ROTARY PROP, 364
54431614, IDLE, TEFLON, 532	CONTROLLERS, GOV & TIMERS, 108
	54501093, TUBING, SHRINK 1/4”, 422
	54507983, ELEMENT, HEATER, 488
	54529060, CARTRIDGE ASSEMBLY, 329
	54537139, SCREW, CAPTIVE, QUICK OPEN, 72

INDEX

Index

INDEX

- 54562087, GUARD ASSY, REAR, 204
- 54578539, CYLINDER, HYD-TWR RAISE, 134
- 54580709, KIT, SPOOL, COMPENSATOR, 402
- 54589866, THRESHOLD, R.H. DOOR, 73
- 54589874, THRESHOLD, L.H. DOOR, 73
- 54611967, INLET SECTION, 398
- 54640420, LIGHT, MERCURY VAPOR, 417
- 56243033, BRACKET, HORN MOUNTING, 548
- 56244007, BRACKET-FUEL FILTER, 232
- 56244148, BRACKET, FILTER, 264
- 56244395, MOUNT, HOIST, 160
- 56244684, BRACKET, HOSE ELEC, 173
- 56244775, SWITCH, 4P. ON-ON-ON, 107
- 56246051, SENSOR, LOW LEVEL-240V, 488 ,
490
- 56246077, CAB, EXTD-ELEC/HYD, 63
- 56246614, DECAL, GAUGES, ELEC CAB, 580
- 56246622, DECAL, ENGINE FN-ELEC CAB,
580
- 56246630, DECAL, COMP FN-ELEC CAB, 580
- 56246648, DECAL, TRAM FN-ELEC CAB, 580
- 56246655, DECAL, DRILL FN-ELEC CAB, 580
- 56246663, DECAL, FEED CNTRL, ELEC CAB,
580
- 56246689, DECAL, AC/HTR, ELEC CAB, 580
- 56246747, NOZZLE, SPRAY, 484
- 56247232, SPACER, SHAFT-DMC TOWER, 118
- 56247489, HOSE ASSY, R134A, 210"L, #12, 96
- 56247505, HOSE ASSY, R134A, 290"L, #6, 96
- 56248479, KIT, METRIC SPLIT FLANGE, 375
- 56250012, PIN, ROD SUPPORT ARM, 473
- 56250020, BRACKET, ARM MTG, ROD SUPT,
473
- 56250038, ARM, ROD SUPORT, DMC TWR, 473
- 56253792, BLOCK, UK16N TERMINAL, 413
- 56254253, HOSE ASSY, 356
- 56255490, HOSE ASSEMBLY, 375
- 56255680, HOSE ASSEMBLY, 362
- 56256605, HARNESS-6&9 SPOOL VALVE, 413
- 56256613, CABLE CONNECTOR-12V, 498
- 56256621, CHASSIS CONNECTOR-12V, 498
- 56257553, BRACKET-ELEC BOX, 8X6, 413
- 56260342, DECAL, THREAD GREASER, 484
- 56263239, VALVE, REDUCING/RELIEVING,
178
- 56263247, VALVE, SHUTTLE, 178
- 56263452, CONNECTOR, CORD GRIP, 421
- 56268527, ADAPTER, SPINDLE-5.25 BECO,
156
- 56275365, HOSE ASSY, 340
- 56275431, LAMP, LED, GREEN, 24V, 495
- 56275449, LAMP, LED, RED, 24V, 393
- 56276835, SWITCH, INDUCTIVE PROX., 532
- 56277759, TUBING, SHINK-1/8 DIA., 422
- 56278823, HOSE ASSY, 132

Index

56280746, HOSE ASSY, 368	56934185, VALVE, IMPULSE, 446
56282767, FERRULE, 1–1/2”CONDUIT, 523	56938871, CLAMP ASSY, 200
56292535, LAMP, SUBMINATURE, 532	56939028, SHIM, PAK, 188
56292543, MODULE, OUTPUT ISOLATION, 532	56944390, LOCKNUT, 137
56292550, MODULE, INPUT ISOLATION, 532	56947674, HOSE ASSY, 368
56292568, SENSOR, 500 PSI PRESSURE, 532	56948557, HOSE ASSY, 264
56292782, KIT, TORQUE REEL ENCODER, 532	56949399, HOSE ASSY, 393
	56950082, HOSE ASSY, 473
56762198, SWITCH, TOGGLE–SPST, 107	56950561, ADAPTER, 368
56770001, CABLE, BATTERY – 2/0, 501	56950579, KIT, SPLIT FLANGE, 368
56783020, KIT, SPLIT FLANGE, 390	56951395, GAUGE, AIR PRESS–400 PSI, 107
56784267, ADHESIVE, 153 , 193 , 257	56951700, TUBE, 171 , 284
56799125, VENT, FILTER, 507	56953045, GASKET, 152
56801053, LINK, 18	56953912, HOSE ASSY, 340 , 378
56804750, CLAMP, CABLE, 160 , 180	56954019, HOSE ASSY, 341
56849672, MANIFOLD, 507	56954027, HOSE ASSY, 368
56887680, SHROUD, INLET, 217	56954076, HOSE ASSY, 393
56893217, WIRE, 390	56954084, HOSE ASSY, 393 , 508
56899669, SHROUD, INLET, 217	56954100, HOSE ASSY, 200
56901424, FITTING, HYD, 271	56954159, HOSE ASSY, 507
56901853, BAR, FLAT, 22	56954233, HOSE ASSY, 188
56903586, CUP, DUST, 220	56954290, HOSE ASSY, 443
56909930, CLUTCH, 96	56954308, HOSE ASSY, 551
56921174, CUP, DUST, 222	56954365, HOSE ASSY, 551
56921430, TERMINAL, 193	56954662, HOSE ASSY, 551
56924764, GUSSET, 509	56954852, CHANNEL, DUCT, 421
	56954860, COVER, DUCT, 421

Index

INDEX

56955115, HOSE ASSY, 507	56964869, PUMP, 50 TO 1, 512
56955644, HOSE ASSY, 340	56965759, HOSE ASSY, 509
56955776, HOSE ASSY, 380	56966211, HOSE ASSY, 508
56955867, FITTING, HYD, 396	56966278, HOSE ASSY, 134
56956139, HOSE ASSY, 507	56966898, HOSE ASSY, 507
56956675, HOSE ASSY, 356	56967292, SWITCH ASSY, 507
56956865, HOSE ASSY, 265	56967581, HOSE ASSY, 183
56957319, HOSE ASSY, 380	56970601, BRACKET, 341
56957764, HOSE ASSY, 473	56970627, HOSE ASSY, 508 , 509 , 544
56958721, HOSE ASSY, 443	56971559, HOSE ASSY, 463
56958945, ELEMENT ASSY, 446	56972672, HOSE ASSY, 108
56959919, HOSE ASSY, 427	56972680, HOSE ASSY, 342
56960123, HOSE, 200	56972698, HOSE ASSY, 508
56960826, HOSE ASSY, 237	56972714, HOSE ASSY, 544
56963929, HOSE, RADIATOR, 200	56973027, HOSE ASSY, 356
56964174, HOSE ASSY, 484 , 509	56973084, HOSE ASSY, 509
56964190, HOSE ASSY, 508	56973621, HOSE ASSY, 508
56964208, HOSE ASSY, 509	56974140, HOSE ASSY, 271 , 340
56964216, HOSE ASSY, 509	56974322, HOSE ASSY, 551
56964232, HOSE ASSY, 405	56974579, HOSE ASSY, 508
56964240, HOSE ASSY, 509	56974686, HOSE ASSY, 173
56964273, HOSE ASSY, 508	56975980, HOSE ASSY, 484
56964281, HOSE ASSY, 544	56976954, GREASE, EP0, 509
56964299, HOSE ASSY, 257 , 508	56977150, CLAMP, PIPE-3", 200
56964315, HOSE ASSY, 264 , 508	56981632, HOSE ASSY, 264
56964356, HOSE ASSY, 509	56981657, MOUNT, ENGINE, 188
	56983943, HOSE, RADIATOR, 200

Index

56984834, HOSE ASSY, 368	57002859, HOSE ASSY, 228
56986599, WASHER, 284	57003634, BAR, FLAT, 160
56987209, PIN, ROLL, 162	57003782, MOTOR, HYDRAULIC, 446
56987233, WASHER, LOCK, 163	57003790, VALVE, SOLENOID, 446
56987308, WASHER, LOCK, 163	57003915, HOSE ASSY, 443
56987795, WIRE, LINK – #12, 193	57004020, HOSE ASSY, 508
56987936, HOSE ASSY, 507	57005688, HOSE ASSY, 508 , 509
56988728, COVER, FTG/90514L, 306	57007411, RECEPTACLE, BATTERY CONN, 501
56989353, HOSE, RADIATOR, 200	57007429, COVER, RECPT – BATTERY CONN, 501
56991193, CONNECTOR, 509	57007478, HOSE ASSY, 509
56992035, HOSE ASSY, 341	57009193, BAR, SQUARE, 428
56992118, HOSE ASSY, 443	57010795, DRAIN KIT, 446
56992134, HOSE ASSY, 257	57010837, FILTER, AIR, 446
56992159, HOSE ASSY, 427	57011611, LUG, BATTERY, 212 , 501
56992191, CONNECTOR, 509	57012478, GEROLER, 434
56993678, SWITCH, KEY, 107	57012676, PLUG, NYLON, 148 , 405
56993694, TACHOMETER, 107	57012684, SCREW, SET, 148 , 405
56993702, SWITCHGAGE, OIL PRESSURE, 107	57014375, HOSE ASSY, 342
56994510, HOSE ASSY, 380 , 443	57014672, ANGLE, 413
56997943, LAMP, HPS, 417	57015505, HOSE ASSY, 340
56997950, BALLAST, HPS, 417	57015521, HOSE ASSY, 107
56998164, BAR, SQUARE, 117 , 152	57017915, CONDUIT, NYLON – 5/8, 524
56999030, HOSE ASSY, 234	57018160, GUSSET, 237
56999246, FITTING, HYD, 341	57018533, SWITCHGAGE, 107
56999360, WIRE LINK – 9, 193	57018590, HOUSING, BLO, 446
56999964, CLAMP ASSY, 1/2, 546	57018608, WHEEL, BLOWER, 446

Index

INDEX

- 57018616, INLET, SUCTION, 446
- 57018624, HOSE, DROPOUT, 446
- 57018665, CLAMP, HOSE, 443
- 57018673, VALVE, SAFETY, 446
- 57018889, HOSE ASSY, 551
- 57019853, PLATE, 217
- 57020083, BOOT, RUBBER, 107
- 57020703, HOSE ASSY, 340
- 57020760, HOSE ASSY, 340
- 57020778, HOSE ASSY, 340
- 57020802, HOSE ASSY, 370
- 57020828, HOSE ASSY, 370
- 57022246, HOSE ASSY, 507
- 57022253, HOSE ASSY, 237
- 57024044, BLOCK, MANIFOLD, 341
- 57024218, TUBING, RND, 568
- 57027310, SEAL, 42
- 57027377, FACEPLATE, BARREL – 15/32, 312
- 57028540, BAR, TAPPED, 523
- 57029852, CONDUIT, FLEX – 1.5 SEALTTE, 523
- 57032963, BOX, ELEC.JIC, 514
- 57032997, KIT, SEAL, 329
- 57034183, HOSE ASSY, 368
- 57034332, HOSE ASSY, 264
- 57034357, HOSE ASSY, 228
- 57035230, HUB BLANK, 117
- 57035412, PIN, CYLINDER, 257
- 57036618, HOSE ASSY, 258 , 370 , 508 , 544
- 57036881, BAR, COPPER, 420
- 57037335, SENSOR, MAGNETIC, 193
- 57037350, SHAFT, 145
- 57038424, HOSE ASSY, 463
- 57038549, BAR, FLAT, 118
- 57039638, CYLINDER, HYDRAULIC, 405
- 57039810, KIT, SEAL, 405
- 57040818, HOSE ASSY, 382
- 57043218, HOSE ASSY, 508
- 57045346, FITTING, MOD., 257
- 57045494, CAP, 329
- 57045882, SHAFT, DRIVE, 318
- 57046831, RETAINER, 473
- 57047060, ROPE, WIRE, 180
- 57047300, STARTING KIT, 230
- 57047847, RUNG LADDER, 12 , 92
- 57051708, MOUNT, LIGHT, 417
- 57051716, MOUNT, 417
- 57051740, CHANNEL, 417
- 57051757, CHANNEL, 417
- 57052631, SERVO OUTPUT, 288
- 57053183, HOSE, HYD – A06 BULK, 574
- 57053332, STRAP, 118
- 57053522, CARTRIDGE ASSEMBLY, 329
- 57053555, KIT, SHAFT, 329

Index

57053761, HOSE ASSY, 443	57070773, INJECTOR, SL1/4 BANK, 507
57054595, BUSHING, 152	57070781, INJECTOR, SL1/5 BANK, 507
57054611, COVER, 152	57070849, CAP, COVER, 507
57054629, COVER, TOP, 152	57071383, BRACKET, 507
57054637, HOUSING, GEAR, 152	57071391, BRACKET, 509
57054991, BAR, TAPPED, 380 , 463	57071409, BRACKET, 507
57057580, CYLINDER, AIR, 257	57071417, BRACKET, 507
57060352, SCREW, SET – CLEVIS, 52 , 56	57073637, TERMINAL, 514
57060378, PISTON, 466	57073645, HOLDER, END, 514
57060394, HEAD, CYL, 466	57074668, KEY, 153
57063737, SPRING, 324	57079022, U – BOLT, 257
57064065, VANE HOLD DOWN SPRING, 322	57079030, LINK, 257
57065260, HOSE, HYD – A10 BULK, 99	57079048, PIN, ROD END, 257
57065534, ELEMENT, FILTER, 264	57079550, REGULATOR, AIR – RELIEVING, 484
57065617, INDICATOR, 264	57080731, PLATE, TAPPED, 257
57065682, HOSE ASSY, 264	57082018, NIPPLE, HOSE, 99
57068215, RING, RETAINING, 466 , 476	57082554, STANDPIPE, 390
57068587, PIPE, 12 , 92	57083172, GUSSET, 390
57068595, WIRE ROPE, 92	57083479, BUSHING, ROD CHUCK – STEEL, 568
57068942, RUBBER STRIP, 1/4 X4, 63	57083883, MANIFOLD, HYD, 507
57068991, SPACER, 152	57084055, BREAKER, CIRCUIT – 15 AMP, 96 , 107 , 532
57069023, ADAPTER, STRAIGHT, 264	57084980, TUBE, AIR, 217
57069452, VALVE, CHECK, 234	57085573, STANDPIPE, 390
57070732, FILTER REG., 509	57085599, STANDPIPE, 390
57070757, INJECTOR, SL1/2 BANK, 507	57086332, CONNECTOR, 193
57070765, INJECTOR, SL1/3 BANK, 509	57090763, ANGLE, 200

Index

INDEX

57091100, SPACER, 443	57110157, MOTOR, HYDRAULIC, 178
57091274, BREAKER, CIRCUIT–20 AMP, 107	57112963, GAUGE, PRESSURE, 271 , 484
57092579, GREASE, EPO, 4	57113177, BATTERY, 12V–8DW/ELECTROL, 209
57092728, CLAMP ASSY, 1–1/4 PIPE, 390	57113367, VALVE, BY PASS, 360
57093155, GAUGE, TEMP, 107	57116758, ADAPTER, JACK–LONG, 362
57093197, BAR, ROUND, 390	57116766, ADAPTER, JACK–SHORT, 362
57095515, CLAMP, DRIER AIR COND., 96	57116840, HOSE ASSY, 362
57095846, NAMEPLATE, 230	57117848, BREAKER, CIRCUIT–5 AMP, 107
57095853, MOUNT, CYLINDER, 230	57120339, PIN, JIB ARM, 160
57097792, GROMMET, RUBBER, 230	57120347, SPACER, 160
57097941, BRACKET, 96	57123283, CAM STROKER ASSY, 320
57100513, BOLT, BASE MG, 206	57129090, CHAIN ASSY, 568
57101164, HOSE ASSY, 340	57129140, SCREW, CHAIN, 572
57101263, HOSE ASSY, 340	57129157, NUT, 572
57101420, HOSE ASSY, 341	57129165, PIN, 572
57101438, HOSE ASSY, 340	57129173, LINK, MASTER, 572
57101933, SLEAVE, PLASTIC COIL, 524	57129181, PIN, 572
57102352, SEAL, 38	57129199, LINK, 572
57104929, NUT, JAM, 298	57129207, RIVET, 572
57106429, VALVE, DIVERTER, 344	57133175, HOSE ASSY, 507
57106460, VALVE, 4–WAY, 346	57135071, HOSE ASSY, 368
57106536, BAR, FLAT, 146	57137036, TUBE–CROSS PORT CONNECT, 507
57106965, SUBPLATE, 346	57138166, JUNCTION BOX ASSY, 8 X 6, 509
57107906, O–RING, 346	57139131, MOUNT, FLEX–BOLTSANDWICH, 193
57107914, KIT, SEAL, 346	57139982, BRACKET, MOUNTING–AMOT, 265
57109753, GASKET SEAL, 152	

Index

- 57140329, DECAL, WARNING–FALL PWRHD, 585
- 57140337, DECAL, WARNING–ROTATINGPT, 585
- 57140345, DECALWARNING–ROTAT.PARTS, 585
- 57140352, DECAL, WARNING–HIGH PRESS, 585
- 57140360, DECAL, WARNING–FALLDERRIC, 585
- 57140378, DECAL, WARNING–FALL DRLPI, 585 , 586
- 57140386, DECAL, WARNING–FALLCAROUS, 585
- 57140394, DECALWARNING–COMBUST.GAS, 585
- 57140402, DECAL, WARNING–HOT FLUID, 585
- 57140410, DECAL, WARNING–POWERHEAD, 585
- 57140428, DECAL, WARNING–HIGHPRESS, 585
- 57140444, DECAL, ENG.FAILURECOOLSY, 585
- 57140469, DECAL, WARNING–ROT.BLADE, 202 , 585
- 57140477, DECAL, CAUTION–EXCESSOIL, 585
- 57141715, PIN, TOWER LOCKING, 393
- 57141954, FEED CYL SUPPORT, 122
- 57142515, VALVE, RELIEF–VENTED, 368
- 57142937, NOZZLE, COMP./REC., 555
- 57142945, PLUG, COOLANT, 555
- 57142994, SERVICE KIT, WIGGINS, 551
- 57143505, COVER, BATTERY, 209
- 57143760, GUIDE, POWERHEAD–CASTING, 172
- 57143778, GUIDE, FINISHEDPOWERHEAD, 172
- 57145435, PLATE, CASING HOIST, 160
- 57149080, SHIM, 172
- 57150617, CHECK VALVE, 322
- 57151144, COVER, 290
- 57153090, KIT–SHIM, 288
- 57153108, SHEAR SEAL, 300
- 57154916, HYD. MOTOR MODIFICATION, 152
- 57156465, DECAL, NOTICE–HYD.FAILURE, 585 , 586
- 57157422, HOSE ASSY, 380
- 57159113, GEAR, INTERMEDIATE, 171
- 57159121, SPACER, INTERMEDIATEGEAR, 171
- 57159139, KEY, INTERMEDIATE SHAFT, 171
- 57162620, HOSE ASSY, 443
- 57163453, U–CUP, 408
- 57163529, RING, BACK UP, 408
- 57166134, HEATER, BATTERY/240V, 75W, 470
- 57166795, PUMP/TIMER, LINCOLNCENTRL, 507
- 57167132, DISCONNECT, 355
- 57167298, VALVE, MOTOR CONTROL, 178
- 57167454, FITTING, STR, 20OFS X20SAE, 284 , 390
- 57167728, VALVE, CHECK–16 JIC, 284 , 356 , 378

Index

INDEX

- 57167934, FITTING, L90–120FSX12SAE, 118 ,
173 , 285 , 340
- 57167942, FITTING, STR, 12OFS X12SAE, 173
- 57170110, PINION, INPUT, 171
- 57170730, BOX, 1–HOLE PENEDENT, 546
- 57170839, ELEMENT, 265
- 57174070, FITTING, L90, 20OFS X20SAE, 173
- 57175457, TUBE, AIR INLET, 217
- 57175556, LOCKWASHER, M16, 247
- 57175804, EQUALIZER, 20A. BATTERY, 498
- 57176141, ELBOW, RUBBER–45 DEG, 217
- 57176471, GASKET, COMP., 268
- 57176604, TERMINAL, PACKARD SLEEVE, 421
- 57179608, SWITCH, SPST/ON–OFF, 107
- 57180168, PIN, CENTER, 22
- 57180184, BUSHING, CENTER, 22
- 57181059, ROD–TUBE, 52 , 56
- 57181232, ROD TUBE, 52 , 56
- 57181240, LOCKNUT, 52 , 56
- 57181307, HOLD DOWN–VANE, 322
- 57183329, CAP, SWIVEL, 172
- 57183618, SPACER, PISTON, 52 , 56
- 57183832, HOSE ASSY, 356
- 57184020, CASTING, SWIVEL CAP, 172
- 57185217, PRESSURE PLATE, 329
- 57185357, DECAL, WARNING, FLUID SYS, 488
, 490
- 57185894, GASKET, SHIM PACK, 153
- 57185902, GASKET, SHIM PACK, 153
- 57188112, PIN, END YOKE, 22
- 57188963, SPACER, .5X1.75ODX1.06ID, 180
- 57191017, SHAFT, INTERMEDIATE, 171
- 57191025, CAP, BEARING, 171
- 57191033, PLATE, END, 173
- 57191983, LEE PLUG, 295
- 57191991, END CAP, 329
- 57192007, HOUSING, 329
- 57192015, MOUNTING CAP, 329
- 57192023, CAPSCREW, 329
- 57192080, CAM RING, 329
- 57192098, VANE, 329
- 57192106, VANE PIN, 329
- 57192122, P1 ROTOR ASSY., 329
- 57192130, BACK UP RING, 329
- 57192148, GASKET, SQUARE SECTION, 329
- 57192163, P2 ROTOR ASSY., 329
- 57192197, O–RING, 329
- 57192213, SHAFT, #3 SPLINED, 329
- 57193765, BOX, QUICK FILL, 555
- 57193773, REWORK, HYD. RESERVOIR, 488
- 57194136, HEATER, OIL PAN, 564
- 57194144, THERMOSTAT KIT, OIL PAN, 564
- 57194987, ARM, ADJUSTABLE, 372 , 473 , 540
- 57196677, DIODE, 3A, 600V, 421

Index

57196735, JACK FOOT PAD, 50 , 54	57212920, O–RING, 162
57198921, BLOCK, 183	57212938, CARRIER PRIMARY PLANET, 162
57198939, STOP BLOCK, CENT. BUSH, 183	57212946, GEAR, PRIMARY PLANET, 162
57199093, CYLINDER, HYDRAULIC, 145	57212953, SHAFT, GEAR PRIM. PLANET, 162
57200495, SAFETY HOOK SWIVEL, 160	57212961, BEARING ROLLER, 162
57200628, RING, RETAINING–BREAKOUT, 183	57212979, WASHER, THRUST, 162
57204943, INSULATION, STYROFOAM, 470	57212987, ROLLPIN, 162
57205007, VALVE, COUNTERBALANCE, 52 , 56	57212995, CARRIER, OUTOUT PLANET, 162
57205288, BLOCK, 540	57213001, GEAR OUTPUT PLANET, 162
57205478, PLATE, MOUNT, 540	57213019, SHAFT GEAR OUTPUT PLANET, 162
57206971, HEAD CAP, 137	57213027, SPACER, BEARING, 162
57209306, STOP BLOCK, BULL GEAR, 146	57213035, WASHER, THRUST, 162
57209314, STOP BLOCK, BULL GEAR, 146	57213043, BASE, 162
57209637, MOTOR, HYDRAULIC, 171	57213050, CYLINDER BRAKE, 162
57209728, FITTING, RNT, 12OFS X12SAE, 173	57213084, BEARING BALL, 162
57209884, SWITCH, PRESSURE, 512	57213092, SEAL OIL, 162
57209926, KEY, 152	57213100, O–RING, 162
57212771, MOTOR, HYDRAULIC, 163	57213126, WASHER, THRUST, 162
57212854, SUPPORT MOTOR, 162	57213134, WASHER THRUST, 162
57212862, PISTON, BRAKE, 162	57213142, PLATE, THRUST, 162
57212870, PLATE, PRESSURE, 162	57213159, CAPSCREW HEX HD, 162
57212888, SPRING, BRAKE, 162	57213167, CAPSCREW HEX HD, 163
57212896, BRAKE, DISC, 162	57213183, O–RING, 163
57212904, SPACER, 162	57213191, PLUG DRAIN, 163
57212912, O–RING, 162	57213209, GEAR, PRIMARY SUN, 163
	57213217, GEAR, OUTPUT SUN, 163
	57213233, PIN, DOWEL, 163

Index

INDEX

- 57213241, O-RING, 163
- 57213258, PLUG OIL LEVEL, 163
- 57213266, WASHER, THRUST, 163
- 57213274, BRAKE VALVE ASSEMBLY, 163
- 57213282, ELBOW, 163
- 57213290, HOSE, 10 INCH, 163
- 57213308, ADAPTER, SPLIT FLANGE, 163
- 57213316, ELBOW, 163
- 57213324, CAPSCREW, SOCKET HEAD, 163
- 57213332, CAPSCREW, SOCKET HEAD, 163
- 57213340, WASHER SEAL, 163
- 57213357, CAPSCREW, 163
- 57213365, ANCHOR CABLE, 163
- 57213373, SPRING ROTOR, 163
- 57213423, O-RING, 166
- 57213431, ORIFICE PILOT, 166
- 57213449, SPRING CHECK VALVE, 166
- 57213456, SPRING SPOOL, 166
- 57213464, O-RING, 166
- 57213472, O-RING, 166
- 57213480, O-RING, 166
- 57213498, RING, BACK-UP, 166
- 57213506, RING, BACK-UP, 166
- 57213514, BALL, CHECK (1/4), 166
- 57213522, SPRING CHECK BALL, 166
- 57213530, FITTING, ELBOW, 166
- 57213936, BLOCK, FLANGE, 173 , 284
- 57214116, FITTING, L90, 20OFS X16SAE, 344
- 57214470, STEP, CAB, 63
- 57214488, PLATE, SUPPORT, 92
- 57214587, LADDER, 10
- 57214595, PLATE, SUPPORT, 12
- 57214603, WIRE ROPE-7/8 DIA., 12
- 57215311, DECAL, DML - RH, 595
- 57215378, DECAL DML-LH, 595
- 57216780, BRACKET, REMOVABLEGEARBOX, 152
- 57216913, SWITCH, TOGGLE, 107 , 108 , 473
- 57217507, PLATE, GEAR BOX MOUNT, 152
- 57217531, MOUNT, REMOVE 7 ROD, 152
- 57217655, BRACKET, 257
- 57219420, ADAPTER, SAE-20 X 16, 378
- 57220295, LOCKNUT, 466
- 57220337, SEAL, BACKUP, 468 , 478
- 57220345, O-RING, 468 , 478
- 57220352, U-CUP, 478
- 57220360, O-RING, 468
- 57221855, MOUNTING RAIL (DIN), 420
- 57224081, O-RING, 148 , 408
- 57224099, RING, BACK-UP, 148
- 57224115, U-CUP, LOADED, 148
- 57224123, WIPER, 148
- 57224156, PLUG, PORT, 52 , 56
- 57225526, BUSHING, CENT-7.63 ROD, 568

Index

57226151, CHAIN WRENCH 7–1/4 8–1/4, 568	57242604, HEAD, 148
57227787, CROSS KIT, 188	57242612, PISTON, 148
57227985, VALVE, FLOW CONTROL, 443	57242620, TUBE ASSY, 148
57229098, BRACKET, REMOVABLEGEARBOX, 153	57242638, ROD ASSY, 148
57229106, BRACKET, REMOVABLE GEAR, 153	57243719, SHIM, POWERHEAD–SPURGEAR, 172
57229114, BRACKET, REMOVABLEGEARBOX, 153	57244352, VALVE, PUMP RELIEF, 341
57229676, HOSE ASSY, 340	57244832, O–RING, 52 , 56
57231268, BRACE, REAR MUFFLER MOUNT, 197	57244915, PLUG, PORT, 52 , 56
57233652, U–CUP, 478	57244972, DRILL PLUG, 52 , 56
57233660, WIPER, 478	57244980, PLATE, MTG, 341
57233983, FITTING, L90, 16OFS X20SAE, 355	57245177, SEAL ASSY, 52 , 56
57235079, BAR, FLAT, 462	57245185, SLYDRING, 52 , 56
57236705, SWITCH, BATTERY SELECTOR, 501	57245284, PORT PLUG, 137
57239725, NUT, ACORN, 298	57245532, STEPSEAL, 52 , 56
57240566, SPRING, 298	57245540, SLYDRING, 52 , 56
57240749, SCREW, MOTOR, 322	57245573, TUBE ASSY, 52 , 56
57240756, SCREW, SET, 290 , 322	57246555, PLATE, CYLINDER, 122
57240764, PLATE, MOTOR, 322	57248015, FERRULE, GROUND–1/2, 524
57240814, SEAL KIT, VALVE, 58	57248445, HOSE ASSY, 544
57242547, SEAL KIT, 148	57248775, CONE–DROPOUT, 446
57242554, LOCKNUT, 148	57249088, HOSE ASSY, 507
57242562, O–RING, 148	57249450, SEAL KIT, 137
57242570, RING, CAST IRON, 148	57249518, HEAD, 137
57242588, DISC 25, 148	57250466, GUARD, HOSE RING, 118
57242596, HEADCAP, 148	57250482, HOSE GUARD ASSY, 118
	57252009, DECAL, WARNING–VOLTAGE, 470 , 488 , 490

Index

INDEX

57261927, CABLE, 92	57299448, PAGE, ROTATING PARTS, 588
57266181, LIGHT, INDICATOR, 495	57299455, PAGE ROTATING BLADE, 588
57267304, BUSHING, 145	57299463, PAGE, PRESSURIZED FLUID, 588
57267577, WASHER, 145	57299489, PAGE, HIGH PRESSURE, 588
57268112, PIN, CYLINDER, 145	57299497, PLATE, COMBUSTIBLE GAS, 588
57269698, NUT, 325	57299505, PAGE, FALL OR CRUSHHAZARD, 588
57273229, PIN, 473	57299513, PAGE, HIGH PRESSURE, 588
57273237, PIN, PIVOT, 473	57299521, PAGE, FALLING POWER HEAD, 588
57273245, RETAINER, 473	57299539, PAGE, FALLING RODCAROUSEL, 588
57277402, HOSE ASSY, 341	57299547, PAGE, FALLING DRILL PIPE, 588
57277444, HOSE ASSY, 341	57299554, PAGE, COMBINED WARNING, 588
57279622, FITTING, STR, 20OFS X16SAE, 344	57299562, PAGE, HAZARDOUS VOLTAGE, 588
57284671, TIMER, DC ELECTRIC, 446	57299588, PAGE, HIGH PRESSURE, 588
57291049, RESTRICTOR, JIC/JIC .062, 463 , 473	57299596, PAGE, HIGH PRESSURE, 588
57291288, WASHER, LOCK-TONGUED, 171	57301012, SEAL KIT - VALVE CART., 350
57291296, WASHER, LOCK, TONGUED, 171	57301855, VALVE, MEASURED SHOT, 230
57291304, NUT, ADJUSTING, 171	57301863, ATOMIZER-STARTING FLUID, 230
57293656, HOSE ASSY, 234	57302143, PLUG-HEX, 324
57295313, BRKT, COMPRESSOR MTING, 247	57303737, SEAL KIT, 350
57295479, HOSE, SUCTION-12 X 15FT, 443	57305948, PIN-PUMP, 298
57296394, FITTING, L90-160FSX12SAE, 118	57306268, VALVE BLOCK ASSY, 288
57296972, CHANNEL W/HOLES, 443	57307720, GASKET, SQUARE SECTION, 329
57298069, HOSE ASSY, 173	57307902, O-RING, 288
57299414, PAGE, FALLING DERRICK, 588	57308686, FITTING, L90, 06OFS X08SAE, 178
57299422, PAGE, EXCESSIVE HYD. OIL, 588	57308850, FITTING, L45, 12OFS X16SAE, 390
57299430, PAGE, ROTATING PARTS, 588	57308983, FITTING, RNT, 20OFS X20SAE, 173

Index

- 57309536, VALVE, PRESSURE CONTROL, 364 ,
366
- 57309791, BUSHING, YOKE END, 22
- 57310831, DECAL, WARNING–DON'TALTER,
585 , 586
- 57311086, DECAL, DANGER–HAZ. VOLT., 585
, 586
- 57311151, MANUAL, SAFETY–DM45/50/L, 585 ,
586
- 57311169, PAGE, COVER, 588
- 57311649, PAGE, ORDER INFORMATION, 588
- 57311656, PAGE, LABEL REFERENCE, 588
- 57311920, HOSE ASSY, 132 , 443
- 57312563, VALVE, SOLENOID–3WAY/2POS,
484 , 512
- 57313058, TUBE, FUEL TANK SUCTION, 237
- 57315111, VALVE, SOLENOID N.C., 257
- 57315137, SWITCH, VACUUM, 257
- 57315657, BRACKET, 390
- 57315806, CLAMP, 5.5 OD FEED CYL, 122
- 57316127, LAMP, 150W HPS CLEAR, 417
- 57318040, DECAL, WARNING–NOCLIMBNG,
585 , 586
- 57318743, WASHER, FLAT–HARDENED, 247
- 57318834, PAGE, DON'T CLIMB, 588
- 57319618, FITTING, STR, 06OFS X06SAE, 178 ,
350
- 57319675, FITTING, STR, 12OFS X16SAE, 390
- 57319683, FITTING, STR, 16OFS X16SAE, 344 ,
390
- 57324154, PAGE, TABLE–DM 45/50/DML, 588
- 57325029, NAMEPLATE, REC. OIL, 551
- 57325391, HOSE ASSY, 265
- 57325623, VALVE, 4–WAY D03, 350
- 57325649, VALVE, 2–WAY CART., 350
- 57325664, VALVE, REDUCING CART., 350
- 57326274, PUMP, MAIN, 284
- 57326472, VALVE, 6–SPOOL, 24V COILS, 396
- 57326795, O–RING, 408
- 57326803, U–CUP, 408
- 57328676, FITTING, TEST, 173 , 284 , 342 , 350 ,
355 , 390
- 57329583, SUBPLATE, MANIFOLD, 341
- 57329849, WINCH, BRADEN 8, 000 LB, 160
- 57329989, PLATE SPACER, VALVE, 390
- 57332199, SWITCH, 3–POSITION, 108
- 57332215, SWITCH, 2–POSITION, 107 , 417
- 57335192, DECAL, WARNING–FANBLADES,
585 , 586
- 57335200, DECAL, NOTICE–DUST, 585 , 586
- 57336067, PACKING, SWIVEL–30XV, 172
- 57336117, GUARD, A/C DRIVE, 96
- 57336430, POWERLUBER, AUTO–GREAS-
ING, 484
- 57337123, HOSE ASSY, 342
- 57338238, CONTROLLER, REMOTE PROP., 107
- 57338279, CONTROLLER, ROTARY PROP, 428
- 57338329, PAGE, FAN BLADES, 588
- 57339368, HOSE ASSY, 368

Index

INDEX

- 57339798, DRUM CABLE, 162
- 57339806, CLOSURE, CABLE DRUM, 162
- 57339814, RING SNAP, 162
- 57339822, PLUG, VENT, 163
- 57339830, SUPPORT, BEARING, 163
- 57339848, HOSE ASSY, 163
- 57339855, BRG, RLR, RTNR, 163
- 57339863, SWIVEL TEE, 163
- 57339871, ROLLER, 163
- 57339897, INDICATOR, CARROUSEL–4ROD, 146
- 57341083, DIAPHRAGM, YOKE ASSY, 486
- 57341091, SEAT BLOCK W/WHT NYLON, 486
- 57341133, YOKE, 486
- 57341141, SCREW, BONNET, 486
- 57341158, GASKET, TEFLON YOKE, 486
- 57341166, NOZZLE, W/3/16"ORIFICE, 486
- 57341174, SPRING, REAR +500 LB PRES, 486
- 57341182, SCREW, YOKE CLAMP, 486
- 57341190, GUIDE, YOKE, 486
- 57341208, SCREEN, FILTER, 486
- 57341216, FILTER, SINTERED, 486
- 57341224, BUTTON, SPRING, 486
- 57341240, SPRING, COMPRESSION 125LB, 486
- 57341265, PLATE, DIAPHRAGM, 486
- 57341273, DIAPHRAGM, STAINLESS STL, 486
- 57341281, GASKET, DIAPHRAGM, 486
- 57341299, NUT, DIAPHRAGM PLATE, 486
- 57341307, SCREW, ADJUSTING –SLOT, 486
- 57341315, CAP, PROTECTION, 486
- 57341356, BODY, 1 INLET, 3 OUTLETS, 486
- 57341380, BONNET, SCREW, 486
- 57341398, BACK CAP, 486
- 57341406, GASKET, BACK CAP, 486
- 57341414, BRACKET, DR/PR VALVE, 350
- 57342651, HOSE ASSY, 340
- 57342719, POINTER, 146
- 57342891, HOSE ASSY, 178 , 364
- 57344764, HOSE ASSY, 390
- 57345100, LUG, LIFTING, 443
- 57345878, DECAL, NOTICE, 585 , 586
- 57347379, CAP, SPINDLE–SPUR HEAD, 172
- 57347429, HOSE ASSY, 340
- 57349185, KIT, SEAL CYLINDER HYD, 183
- 57350076, MANIFOLD, HYD. ORING THDS, 341
- 57351108, COUPLING ASSY, 153
- 57351694, GUARD, GEAR – CAROUSEL, 153
- 57352544, DRIVE, PUMP–3 HOLE, 284
- 57352825, VALVE, RELIEF, 356
- 57355026, BOLT, 24
- 57355075, WASHER–PLATED, 25
- 57356479, BOLT, 24
- 57356511, BOLT, 32 , 34
- 57356669, WASHER–HARD, 36

Index

57356677, NUT, 36	57365389, HEATER, 300W @ 24V DISC, 234
57356693, STRIP, 36	57366387, ALARM, BACKUP-12 TO36VDC, 413
57356701, BOLT-SOCKETHEAD, 36	57367310, BOLT, ADAPTER, 332
57356768, PLUG-PIPE, 38 , 40	57368052, ADAPTER, MOTOR, 171
57356776, BOLT, 24	57368102, DWG, STOP LOC.-GEARINDEX, 146
57356834, COVER-CARRIER ROLLER, 40	57368524, DRIVE SHAFT, 188
57356859, RETAINER, 40	57371163, SPACER, SWIVEL PACKING, 172
57356867, WASHER-THRUST, 40	57372484, HORN, 24VDC, 548
57356875, BOLT-SOCKETHEAD, 40	57376246, HOOK, SAFETY SNAP, 18
57356883, STOPPER-RUBBER, 42	57376832, GUIDE SLIDE - R.H., 172 , 568
57356891, PLUG-CLEAR, 42	57377236, DECAL, NOTICE, 588
57357097, WASHER, 46	57377392, CABLE, 1/2 19X19 BULK, 160
57357691, NUT, 25	57377947, HOSE ASSY, 96
57357964, SETSCREW, 137	57377954, HOSE ASSY, 96
57357972, PISTON, 137	57378192, SWITCH, MINIATURE LIMIT, 107
57358145, CABLE, HOSE RESTRAINT, 278 , 390	57379166, NAMEPLATE, ISOLATIONSWTCH, 501
57358830, CONDUIT, 3/8 NYLON, 230 , 524	57379174, NAMEPLATE-12V DC POWER, 498
57358848, CONDUIT, 1 SPLIT NYLON, 524	57379992, BRACKET, BATT.SELECTSWTC, 501
57359176, BRACKET, LIMIT SWITCH, 393	57380420, HOSE ASSY, 366
57361578, BRACKET, FILTER, 341	57381758, COUPLING, 247
57362105, O-RING, 478	57383077, YOKE, OSCILLATION-DML, 22
57362378, DECAL, IR LOGO-RED, 595	57384539, HOSE ASSY, 241
57364341, COMPRESSOR, W/ORING PORTS, 96	57386427, GUIDE, BLOCK-LONG R.H., 172 , 568
57364358, COIL, CONDENSER, 96	57387904, CONNECTOR, 2-WAY, 421
57364366, DRIER, RECEIVER, 96	57389330, PLATE, TOWER PINNING, 393

INDEX

Index

INDEX

- 57389561, CONTROLLER, PUMP, 107
- 57389587, BRACKET, NOZZLE, 484
- 57389678, BRACKET, 212
- 57389686, BAR FLAT
3/8 X 3 X 14.75, 393
3/8 X 3 X 14.75, 160
- 57389694, BAR FLAT, 1X3.50X15.50, 393
- 57389728, SWITCH, MASTER DISCONNECT,
212
- 57389736, NAMEPLATE, BATTERY OFF/ON,
212
- 57390015, HOSE TRAY – LOWER, 132
- 57390031, HOSE TRAY – UPPER, 132
- 57390049, GUSSET, 132
- 57390171, BRACKET – HOSE TRAY, 390
- 57390254, CLAMP, STANDPIPE – TOWER, 390
- 57390262, BRACKET, HOSE TRAY, 390
- 57390270, CLAMP, STANDPIPE–TOWER, 390
- 57390494, HOSE ASSY, 132
- 57391104, BRACKET–WRENCH CYL MOUNT,
405
- 57391112, PIVOT – WRENCH CYL MOUNT,
405
- 57391641, BRACKET, MICRO SWITCH, 372 ,
540
- 57392003, PUMP, DOUBLE–HYDRAULIC, 284
- 57392854, HEATER, 3 KW @ 240VIMMERS, 490
- 57392896, CAM RING, 329
- 57394025, SUPPORT, DECK CAB SIDE, 6
- 57394603, RELAY, DPDT 24V COIL, 108
- 57394835, KIT, PILOT REDUCING, 402
- 57394843, KIT, RELIEF VALVE, 402
- 57394850, SCREW, SET, STROKE LIMIT, 402
- 57394868, KIT, INLET SECTION SEAL, 402
- 57394876, KIT, WORK SECTION SEAL, 402
- 57394884, KIT, UNLOADER ADJUST, 398
- 57394892, KIT, INLET FILTER, 398
- 57394900, KIT, BYPASS INLET SPOOL, 398
- 57394918, KIT, PILOT REDUCING, 398
- 57394926, PULSAR, 24V W/WEATHERPAK, 398
, 402
- 57394934, VALVE, WORK PORT RELIEF, 398
- 57394942, KIT, INLET SEAL, 398
- 57394959, KIT, WORK SECTION SEAL, 398
- 57394967, KIT, SEAL PLATE, 398
- 57394991, VALVE, 9–SPOOL, 24V COILS, 400
- 57395048, KIT, PULSAR SEAL, 398 , 402
- 57395436, CASTING, RAW–HOUSING R.H, 176
- 57395444, HOUSING, MACHINED–R.H., 171
- 57395469, HOUSING–SEMIFINISH, R.H., 176
- 57396111, CAP, CROSSHEAD–REAR JACK, 54
- 57396236, CASTING, SHEAVE, 117
- 57396426, PORT PLUG, 466
- 57396640, HOSE ASSY, 443
- 57396806, HOSE ASSY, 173
- 57396822, HOSE ASSY, 173

Index

57396996, BRACKET, 234	57406068, PIN–CYLINDER, RODCHANGER, 145
57397325, PLATE, MTG –IR LOGO, 117	57406118, TUBE, RND, 4.5ODX3.5IDX226, 145
57398232, BLOCK, TOWER SUPPORT, 4	57406845, SHAFT, PIPE ASSY, 145
57399925, SHAFT, TOWER SUPPORT, 4	57406977, HOSE ASSY, 173
57399941, CLAMP–12 CAGE, 197	57406985, HOSE ASSY, 173
57400350, CONTROLLER–PUMP, 107	57406993, HOSE ASSY, 173
57400715, SEAL, 14–12 AWG CABLE, 209 , 421	57407009, SPROCKET, 2 P. 20 TEETH, 117
57401135, MOTOR, HYDRAULIC, 152	57407017, ADAPTER, CHAIN, 117
57401176, SEAL KIT, 152	57407173, SPROCKET W/BUSH–20T, 117
57401184, SEAL, RING, 152	57407181, PIN, ADAPTER CHAIN, 117
57401200, SEAL, LIP, 152	57409443, FLANGE, STRAIGHT – SAE, 284
57401622, PLUG–PORT, 476	57410599, RETAINER, CABLE, 117
57403586, CABLE ASSEMBLY, 180	57412132, ELECT. PKG. –SWITCH, 230
57403818, HOSE ASSY, 132	57412322, HOSE ASSY, 228
57403826, HOSE ASSY, 132	57412439, BAR FLAT, 1X3.50X8.00, 146
57403834, HOSE ASSY, 132	57412710, CABLE, STARTER JUMPER, 193
57404295, DECAL & MANUALSET–DM45/5, 585	57414120, HOSE ASSY, 237
57405151, BUSHING, METRIC TO JIC, 375	57414641, GUIDE, SHEAVE/SPRKT, 117
57405946, SUPPORT UPPER– ROD CHNGR, 145	57416927, PROPEL MOTOR, 24
57405953, SUPPORT LOWER–ROD CHNGR, 145	57416935, HOUSING, 314
57405961, SUPPORT MIDDLE–ROD CHNG, 145	57416950, O RING, 314
57405979, SUPPORT, SHAFT–MIDDLE, 145	57417339, SERVO–CONT.COVER GASKET, 288 , 290 , 298
57406019, CAP REPLACEMENT, 145	57417719, HANDLE–RUBBER LATCH, 555
57406050, BRACKET, SWING CYLINDER, 145	57417982, BOLT, TRACK, 24
	57417990, NUT, TRACK, 24
	57418006, SHOE, TRACK, 24

Index

INDEX

- 57420085, VENT ASSEMBLY, 512
- 57420093, PLATE, FOLLOWER, 512
- 57420101, COVER, DRUM & TIE DN ASSY, 512
- 57420127, KIT, PUMP REPAIR, 512
- 57420135, KIT, PUMP TUBE REPAIR, 512
- 57420895, STRAINER, OIL-2 NPT, 264
- 57421349, VALVE, SAFETY, 271
- 57421398, ENG.BARE QSK19-700, 188
- 57422917, CABLE ASSY-FOR 35'TOWER, 122
- 57422974, BLOCK-PIVOT-LOWER, 126, 128
- 57422982, BLOCK-PIVOT-UPPER R.H., 126
- 57422990, BLOCK-PIVOT-UPPER L.H., 128
- 57423006, BLOCK-PIVOT ASSY-R.H., 124
- 57423014, BLOCK-PIVOT ASSY-L.H, 124
- 57423782, BRKT, CYL MTG-ROD SUPT, 473
- 57423808, CYLINDER, HYDRAULIC, 473
- 57423824, ROLLER GUIDE, ROD SUPPORT, 473
- 57423832, PIN, LOCKING -CYL., 473
- 57423915, PINEYE ASSEMBLY, 476
- 57423931, PISTON, 476
- 57423949, ROD, 476
- 57423956, TUBE ASSEMBLY, 476
- 57424392, HANDRAIL ASSY-30 CNTDIST, 10, 16
- 57424400, HANDRAIL ASSY-40 CNTDIST, 463
- 57424418, HANDRAIL ASSY-50 CNTDIST, 10, 16
- 57424806, STANDPIPE, 390
- 57425043, SEAL KIT, 476
- 57425068, SLYDRING, 122
- 57426835, INDICATOR, ELEC, 264
- 57427148, ADAPTER, 1-1/2 PVC, 420
- 57428393, GAUGE, AIR PRESS-160 PSI, 107
- 57429714, BLOCK, 6MM COMPONENTELEC, 421
- 57429722, PLUG, 6MM COMPONENT, 421
- 57429730, COVER, TERMINAL BLOCKEND, 420
- 57429748, HOLDER, LOCKING END, 413, 420
- 57431314, HOSE ASSY, 375
- 57431488, ARM, JIB HOIST FIXED, 160
- 57431520, FILTER, OIL, 264
- 57431983, MANIFOLD, RETURN SAEPORTS, 341
- 57432700, SHEAVE, MACHINED-1 ROPE, 117
- 57433773, VALVE, BUTTERFLY-8, 247
- 57433781, POTENTIOMETER, 500-OHM, 421, 540
- 57434110, COUPLING, QUICKDISCONNECT, 276
- 57435034, BRIDGE, ELEC. INSULATED, 420
- 57435075, BRIDGE, ELEC. INSULATED, 421
- 57435976, TRANSITION, 443
- 57436024, FAN BLADE-54IN. 8 BLADE, 202
- 57437014, SHAFT, BOTTOM, 252
- 57437022, PLUG, PIPE, 252
- 57437055, BEARING, 252

Index

57437063, PLATE, BEARING, 252	57443939, BASE, FAB–SLIDING BRKOUT, 183
57437071, BOLT, HEX HEAD, 252	57443954, KIT, LIGHT GAUGE – 24VDC, 108
57437089, WASHER, LOCK, 252	57443962, GASKET, SENDER, 228
57437097, NUT, HEX, 252	57445157, HOSE ASSY, 362
57437105, SEAL, OIL, 252	57445538, HOSE ASSY, 183
57438483, ADAPTER, 356	57445579, EXTENSION, HOSE TRAY 35FT, 132
57438772, BOOT, OEM PUSH BUTTON, 107	57445678, TUBING, ROD CATCHER, 180
57438863, INDICATOR, PANEL MTG. RED, 107	57445702, PLATE, MOUNT, 180
57438889, INDICATORPANELMTG. YELLOW, 107	57446262, ROLLER–2 OD X 3.50 LG, 117
57439077, SEAL KIT–CART.VALVES, 384	57446270, BRACKET, CABLE GUIDE, 117
57439267, CLAMP, CONSTANT TORQUE, 217	57447849, MANIFOLD–FEED CNTRL VLV, 384
57440117, POST, EXTENSION, 443	57447856, VALVE–COUNTERBLNCE VENTED, 384
57440125, PLATE, CAP, 443	57447864, VALVE–COUNTERBLNCE VENTED, 384
57440547, CLAMP, CONSTANT TORQUE, 217	57447872, VALVE–SEQUENCE, 384
57440570, CLAMP, CONSTANT TORQUE, 217	57447880, VALVE–CHECK, 384
57440646, VALVE, SHUTOFF, DISCHG, PORT, 96	57447898, PLUG, MANIFOLD–XL, 384
57440653, VALVE, SHUTOFF, SUCTION PRT, 96	57447906, SEAL KIT–COUNTERBLNCE VLV, 384
57440661, O–RING, SHUTOFF VALVE, 96	57447914, SEAL KIT–SEQUENCE VALVE, 384
57440778, SADDLE, POST MOUNT, 446	57448102, SEAL KIT–CHECK VALVE, 384
57440828, DUST COLLECTOR, 7SB, 443	57449415, HOSE ASSY, 355
57441495, HOSE ASSY, 375	57449738, SHEAVE, ROLLER BEARING, 462
57441941, BREATHER, FILTER–3MICRON, 228	57449894, HEATER–COOLANT/FUEL, 237
57443525, BLOCK, UK10 TERMINAL, 413 , 420	57450751, VALVE ASSY, DIVERTER, 341
57443871, HOSE ASSY, 341	57451841, HOSE ASSY, 427
	57452013, BRACKET, 217

Index

INDEX

- 57452039, GUSSET, 217
- 57454910, MOUNT, DIVERter VALVE, 344
- 57455271, HANDLE, STEP, 18
- 57455586, SLEEVE, WIRE TRANSPARENT, 420
- 57455594, SLEEVE, WIRE TRANSPARENT, 420
- 57455602, SLEEVE, WIRE TRANSPARENT, 420
- 57455628, LABEL, 1-HOLE ADHESIVE, 420
- 57455834, ANGLE, 524
- 57455842, HANDRAIL – 38”, 14
- 57455941, SUPPORT – L.H., 14
- 57455958, SUPPORT – R.H., 14
- 57455966, BRACKET, 14
- 57456139, HANDRAIL – 90”, 14
- 57456691, VALVE, 32 , 34
- 57457152, SPROCKET, 24
- 57457160, BOLT, 24
- 57457178, DRIVE GROUP, 24
- 57457186, WASHER, 24 , 25
- 57457194, FINAL DRIVE GROUP, 24
- 57457293, KIT – DISC(BRAKE), 28
- 57457301, KIT – SEAL(BRAKE), 28
- 57457319, RH TRACK ADJUSTER GROUP, 24
- 57457327, LH TRACK ADJUSTER GROUP, 24
- 57457335, FRONT IDLER GROUP, 24
- 57457343, WARNING PLATE ASSY – RH, 32
- 57457350, WARNING PLATE ASSY – LH, 34
- 57457368, CYLINDER, 32 , 34
- 57457376, SEAL, LIP TYPE, 32 , 34
- 57457384, PISTON, 32 , 34
- 57457392, RING, 32 , 34
- 57457400, RING, 32 , 34
- 57457418, O – RING SEAL, 32 , 34
- 57457434, RECOIL SPRING GROUP, 24
- 57457442, FRONT IDLER, 24
- 57457459, SUPPORT ASSEMBLY, 36
- 57457467, SPRING, 36
- 57457475, ROD, 36
- 57457491, SUPPORT, 36
- 57457509, IDLER & BEARING ASSY, 38
- 57457517, SEAL GROUP, 38
- 57457525, PIN, 38
- 57457533, SHAFT, 38
- 57457541, BEARING, FRAME IDLER, 38
- 57457558, BOLT, 24
- 57457566, CARRIER ROLLER GROUP, 24
- 57457574, TRACK ROLLER GROUP, 24
- 57457590, SHAFT ASSY, 40
- 57457608, ROLLER & BEARING ASSY, 40
- 57457616, SEAL GROUP, 42
- 57457624, SHAFT, 42
- 57457632, PIN, 42
- 57457640, ROLLER & BEARING ASSY, 42
- 57457657, COLLAR, 42

Index

57457665, RING, 42	57466617, SECTION, VALVE SPOOL, 402
57457673, TRACK GROUP, 24	57466625, SECTION, VALVE SPOOL, 398
57457681, TRACK LINK ASSY, 24	57466633, SECTION, VALVE SPOOL, 398
57457699, WASHER, 44	57466641, SECTION, VALVE SPOOL, 398
57457707, TRACK BUSHING, 44	57466658, SECTION, VALVE SPOOL, 398
57457715, TRACK PIN, 44	57469140, BRACKET, LUBE CAN–35LB, 484
57457723, TRACK LINK, LH, 44	57469546, FLANGE BLOCK, 1 O’RING, 284
57457731, TRACK PIN, 44	57469975, HOSE, 200
57457749, MASTER BUSHING, 44	57470395, MOUNT, DECK/FRONT CS, 480
57457756, SPACER, 44	57471088, BRACKET–COOLER FAN MOTOR, 202
57457764, TRACK LINK, RH, 44	57471344, CHARACTER, WIRE SLEEVE 0, 420
57457772, BOLT, 46	57471351, CHARACTER, WIRE SLEEVE 1, 420
57457780, COVER ASSY, 46	57471369, CHARACTER, WIRE SLEEVE 2, 420
57457798, COVER ASSY, 46	57471377, CHARACTER, WIRE SLEEVE 3, 420
57457806, GUARD ASSY, 24	57471385, CHARACTER, WIRE SLEEVE 4, 420
57457814, BOLT, 24 , 25	57471393, CHARACTER, WIRE SLEEVE 5, 420
57457822, GUARD ASSY, TRACK GUIDE, 25	57471401, CHARACTER, WIRE SLEEVE 6, 420
57457830, GUARD ASSY, TRACK GUIDE, 25	57471419, CHARACTER, WIRE SLEEVE 7, 420
57457848, PIPE, 25	57471427, CHARACTER, WIRE SLEEVE 8, 420
57457855, BOLT, 25	57471435, CHARACTER, WIRE SLEEVE 9, 420
57464612, HOSE ASSY, 257	57471443, CHARACTER, WIRE SLEEVE A, 420
57466567, SECTION, VALVE SPOOL, 402	57471450, CHARACTER, WIRE SLEEVE B, 420
57466575, SECTION, VALVE SPOOL, 402	57471773, MANIFOLD ENG.COOLANTINLET, 200
57466583, SECTION, VALVE, 402	57471856, MOUNT SILENCER, 197
57466591, SECTION, VALVE SPOOL, 402	57471864, ELBOW, FLEX W/FLANGE, 197
57466609, SECTION, VALVE SPOOL, 402	57471914, DECKING, FRONT–DCS, DML, 6

Index

INDEX

57471930, DECKING, REAR-CS, DML, 6	57477911, VALVE, EXPANSION BLOCK, 88
57471948, DECKING, FRONT-CS, DML, 6	57477929, KNOB, FAN, 84
57471989, HANDRAIL ASSY-60 CNTDIST, 16	57477937, SWITCH, ROTARY, 84
57472037, PLATE, 480	57477945, KNOB, TEMPERATURE, 84
57472433, ENGINE SUPPORT, 188	57478075, FORK, 6 FLATS, 568
57472698, COOLER, FUEL, QSK19ENGINES, 241	57479198, HARNESSQSKECM/BATT/COOLA, 193
57472839, CHANNEL, WIRING DUCT, 421	57479321, SUPPORT, DC ASSY, 443
57472847, COVER, WIRING DUCT, 421	57479339, PLATE, 456
57473431, AIR DUCT, ENGINE, 217	57479347, PLATE, 456
57473795, HOSE ASSY, 375	57479354, PLATE, 456
57473928, RAD/A-C/COC/HOC-SIDESIDE, 202	57480105, CONTROL, ROTARY SERVO, 295
57473969, MANIFOLD ENG. COOLANT OUT, 200	57480139, SERVO, ELECT, W/O F MTR, 292
57473985, MANIFOLD COOLANT INLET, 200	57480147, NUT, ADJ A SEEL SELF SEAL, 295
57474017, PIPE TO AFTERCOOLER, 200	57480154, SCREW, SOC HD 1/4-28X1, 295
57474025, PIPE FROM AFTERCOOLER, 200	57480162, NUT, A-COVER, 295
57474033, HOSE HUMP, REDUCING, 217	57480170, SERVO, PUMP, ELEC 5AO, 288
57474140, SWITCH, COOLANT-N14, 202	57480360, MOTOR, C-FORCE, 292
57474363, BRKT, MODIFY-HOT START, 237	57480774, HOSE ASSY, 340
57474405, PLATE, HOT START MTG, 237	57480808, HOSE ASSY, 340
57474579, PIN, SUPPORT-FUEL TANK, 228 , 427	57480873, FRAME PLATFORM, 14
57474629, BOLT, BASE MTG, 1-8UNCX6", 206	57481483, ANGLE, MOUNTING-CHECKVLV, 368
57474686, CABLE ASSY, NEG-2/0AWG, 80, 209	57481541, ANGLE-FUEL COOLER MTG, 96
57474694, CABLE ASSY, POS-2/0AWG, 64, 209	57481970, CLAMP, 6.75 EXHAUST, QSK, 197
57475873, TUBE, SUCTION-FUEL, 228 , 427	57482523, CONNECTORDATALINKDUETSCH, 107
	57482556, MANIFOLD, RETURN, 355

Index

57482580, TEE–JIC RUN/ORING, 368	57497463, CABLE, BATTERY – POS–115, 209
57482606, TOOL, PIN/SEAL –EXT INSTL, 209	57497471, CABLE, BATTERY –NEG–115, 209
57482614, TOOL, CRIMPING, 209	57497794, STUD, 132 , 462 , 523
57482655, CAP, DATALINK–QSK/CELECT, 107	57497927, DECAL, CORP. NAMEPLATE, 595
57483356, LEG SUPPORT – COOLER, 202	57498230, HOSE ASSY, 342
57483653, UNDERCARRIAGE, 330S W/Y&A, 22	57498297, CYLINDER, HYDRAULIC, 183
57483711, ROD, THREADED ENDS, 228	57498917, HOSE ASSY, 507
57483729, PLATE, MOUNTING–FUELTANK, 228	57499105, SIGHT GLASS ASSY, 204
57487274, GASKET, PORT BLOCK, 308	57499196, ANGLE, 368
57488827, CYLINDER, HYDRAULIC, 122	57500324, CONTROLLER, LEVER, 108
57488868, CYLINDER HYDRAULIC, 50 , 54	57500423, WARMER, INTANK–26LG, WATER, 428
57488884, MOTOR, HYD–AXIALPISTN–M8F, 202	57500449, TANK, WATER–300GLW/AF, FLG, 427
57491011, GUARD, DRIVESHAFT –QSK, 188	57502031, CONTROLLER, DUAL AXIS, 107
57491037, COOLER–SPACER, 202	57502536, GUARD, FAN–UPPER, 204
57491045, LEG SUPPORT –SPACER, 202	57502544, GUARD, FAN–LOWER, 204
57491078, BRACKET, COOLER MTG., 241	57505018, FILLER, TANK – 3 NPT, 228
57491276, LADDER, STEP–DC SIDE, 18	57505224, STOP, 183
57491284, STEP INSTL–DC SIDE, 16	57506545, SUPPORT, AIR CLEANER, 217
57491441, ADAPTER, TEE, 284	57510927, SEAL KIT–CYLINDER, 52 , 56
57495335, PLATE–COVER, COOLER BASE, 202	57512006, SEAL KIT, 393
57495384, HOSE ASSY, 390	57512188, SIDE PLATE, 306
57495459, PIPE, 0.25 SCH40X2.25LG, 510	57513723, KIT, SEAL, 122
57496283, HOSE ASSY, 341	57514804, TIMER BOX, BARE, 446
57496556, AIR FILTER – 08, 217	57514895, STOP, 318
57496564, AIR FILTER – 06, 217	57514903, SPRING, RETAINER, 318
	57515314, GAUGE, AMMETER, 107

Index

57515496, HOSE ASSY, 132	57521627, COMPOUND, COLDWELDING--JB, 247
57516098, PREFILTER, 82	57522443, CHARACTER, WIRESLEEVE- E, 420
57516106, FILTER, MAIN, 82	57522492, CABLE, DOWNLOAD INTERFACE, 532
57516130, MOTOR, BLOWER, 80	57522906, SPROCKET GROUP, 24
57516346, SOLENOID, 350	57522914, FINAL DRIVE, 24
57516379, BLOWER ASSEMBLY, 80	57522922, FRONT IDLER GROUP, 24
57516619, RELAY, 84	57522930, ROLLER GROUP, 24
57516700, GUAGE 0-300 PSI, 509	57522948, GUARD GROUP, TRACK MOTOR, 24
57518003, BRACKET, MTG-CENTRO LUBE, 509	57522955, GUARD GROUP, TRACK GUIDE, 24
57518094, HOLDER ASSY-7.63 PIPE, 35, 146	57522963, GUARD GROUP, TRACK GUIDE, 25
57520223, ELEMENT, STRAINER, 264	57522971, GUARD GROUP, TRACK GUIDE, 25
57520850, BACK-UP, 52 , 56	57522989, GUARD GROUP, TRACK GUIDE, 25
57520868, O-RING, 52 , 56	57524266, COOLER, COMPRESSOR OIL, 204
57520876, BACK-UP, 52 , 56	57524316, COOLER ASSY, HYD OIL, 204
57520884, O-RING, 52 , 56	57524324, RADIATOR ASSY, ENGINE, 204
57520892, RING, INGRESSION, 52 , 56	57524332, A/C RADIATOR ASSY, 204
57520900, O-RING, 52 , 56	57524647, KIT #3 - BACK-UP BATTERY, 532
57520918, BACK-UP, 52 , 56	57524654, KIT #4 - UTILITY PANEL, 532
57520926, SEAL, ROD, 52 , 56	57524720, CABLE, DM-1A POWER, 532
57520934, BACK-UP, 52 , 56	57524878, INTERFACE, ROTATION TACH, 532
57520942, RING, CONTAMINATION, 52 , 56	57524936, CABLE, UTILITY PNLDISPLAY, 532
57520959, WIPER, 52 , 56	57524944, CABLE, ROTATION OUTPUT, 532
57520967, BLOCK, VALVE, 52 , 56	57524951, CABLE, ROTATION BOX INPUT, 532
57520975, HEAD, 52 , 56	57524977, SENSOR, VIBRATION, 532
57520983, PISTON, 52 , 56	57525016, TERMINAL, HAND-HELD DISPL, 532

Index

- 57525032, CABLE, UTILITY PANEL HHT, 532
- 57525107, CABLE, UTILITY PANEL DNLD, 532
- 57525115, CABLE, UTILITY PNL KEYBRD, 532
- 57525123, CABLE, UTILITY PNL LIGHTS, 532
- 57525131, CABLE, KEYBOARD INTERFACE, 532
- 57525172, ENCODER, OPTICAL ROTARY, 532 , 533
- 57525545, HOSE ASSY, 390
- 57525891, O’RING, 264
- 57530446, CONTROLLER, SENTRYMONITOR, 512
- 57530453, BOARD, SENTRY PROCESSOR, 512
- 57530461, BOARD, SENTRY PWR SUPPLY, 512
- 57530537, RETRACTOR, PIVOTING, 183
- 57530925, SHIELD, HEAT–EXHAUST, 197
- 57531626, CYLINDER, HYDRAULIC, 393
- 57533606, TANK, FUEL–380 GAL, 228
- 57533614, FLOAT, LIFE CELL, 228
- 57533622, HANDRAIL ASSY–20 CNTDIST, 10
- 57534281, GAUGE, FUEL–24VDC, 108
- 57534299, SENDER, FUEL– W/FLOAT, 228
- 57534315, PANEL, ONE GAUGE, 108
- 57534927, COVER, STEP, 342
- 57535064, BAR, FLAT, 473
- 57536229, KEY, HALF, 247
- 57536542, BRACKET, MTG–9 SPOOL VLV, 400
- 57536559, BRACKET, HORN INSTL, 548
- 57536567, BRACKET, MTG–6 SPOOL VLV, 396
- 57536997, COVER, VALVE –9 SPOOL, 400
- 57537003, COVER, VALVE–6 SPOOL, 396
- 57537474, HOSE ASSY, 134
- 57537482, HOSE ASSY, 134
- 57537490, BRACKET, MOUNTING, 366
- 57537607, CABLE, CONTROL, 257
- 57538522, BREATHER, DIESEL CAP, 551
- 57538530, COUPLING, BREATHERDIESEL, 551
- 57540908, GLASS, WINDOW– TOWER SIDE, 72
- 57540916, GLASS, WINDOW– CURB SIDE, 72
- 57540973, BOLT, STRIKER, 72
- 57540981, RUBBER, WINDOW–SAE 14GA., 72
- 57540999, RUBBER, WINDOW– DOOR, 76 , 78
- 57541005, SEAL, BULB–90 DEGREE, 72 , 76 , 78
- 57541013, FLOORMAT, FRONT, 72
- 57541021, GLASS, DOOR– CURB SIDE, 76
- 57541047, GRIP, HAND, 76 , 78
- 57541054, LATCH, PADDLE– CURB SIDE, 76
- 57541062, LATCH, INSIDE RELEASE, 76 , 78
- 57541070, LINKAGE, LATCH, 76 , 78
- 57541088, GLASS, DOOR– TOWER SIDE, 78
- 57541104, WIPER, DRIVE ARM, 562
- 57541112, LATCH, PADDLE– TOWER SIDE, 78
- 57541120, BLADE, WIPER –20, 562
- 57541138, BLADE, WIPER, 28, 562

Index

INDEX

57541146, ARM, WIPER – 20, 562	57547911, BRACKET, AIRCLEANERSUPPT, 217
57541153, ARM, WIPER – 28, 562	57548034, BRACKET, THREAD GREASER, 484
57541245, BRACKET, SWITCH, ROD SUPT, 473	57548059, HOSE ASSY, 340
57543316, MONITORINGPLATFORM, DM – 1B, 532	57549024, ANGLE – WITH HOLES, 484
57543431, SENSOR, 5000 PSI PRESSURE, 532	57549040, BRACKET – CONDENSOR, MTG, 96
57543449, DISPLAY, DIGITAL COLOR, 532	57549503, BRACKET, ELEC BOX 24X20, 413
57545931, MOUNT, REC FOOT, 271	57549933, BOX, ELEC ASSY – 24X20X8, 413
57545949, PIPE, INLET 285MM DML, 271	57549941, BOX, ELEC ASSY – 8X6X3.5, 413
57545956, PIPE, DISCHARGE 285MM, 268	57549982, HARNESS WIRE – BOX TO BOX, 413
57546004, DECKING, DML, 6	57550006, CLEVIS ASSEMBLY, 145
57546020, BLOCK, FLANGE, 271	57550014, CAP ASSY, 145
57546038, MANIFOLD, 274	57550022, LINK ASSY, 146
57546145, ELEMENT, SEP 7 LAYER, 271	57550030, STOP, LOWER CAROUSEL, 146
57546160, GASKET, COMP DISCHARGE, 271	57550055, PIN, CYLINDER MOUNT, 146
57546178, VALVE, MIN PRESSURE 65, 271	57552044, ASSEMBLY, UPPER ARM, 145
57546228, MANIFOLD, UPPER, 271	57552077, ARM, UPPER, 145
57546236, MANIFOLD, LOWER, 271	57552242, ADAPTER, 29
57546260, VALVE BLOWDOWN ASSY, 258	57552259, RING, SEAL, 29
57546301, GEAR, OUTPUT, 171	57552267, MOTOR, HYDRAULIC, 29
57546319, SPACER, FINAL DRIVE, 174	57552275, CHECK VALVE, .25NPT, 428
57546327, KEY, CUSTOM, 171	57552440, RING, SNAP, 28
57546335, COLLAR, RETAINING, 174	57552481, RING, SNAP, 28
57546343, SPINDLE – FINAL DRIVE, 171	57552556, BOLT, HEX HEAD, 28
57546384, SHIM, FINAL DRIVE, 174	57552572, PISTON, 28
57547879, BRACKET, AIR CLEANER, QSK, 217	57552580, PLATE, BACK UP, 28
	57552598, RING, SNAP, 28
	57552622, PLUG, CAP, 28

Index

57552630, PLUG, EXPANDING, 28	57553109, NUT, SHAFT, 28
57552747, PLUG, SCREW, 29	57553117, BEARING, TAP ROLLER, 28
57552754, RING, SEAL, 29	57553125, BEARING, TAP ROLLER, 28
57552812, COVER, 29	57553133, RING, O, 28
57552820, SLEEVE, LOCATING, 29	57553224, PIN, DOWEL, 28
57552846, SLEEVE, SHIFT, 29	57553232, RING, O, 28
57552853, BOLT, SOCKET HEAD, 29	57553240, FLANGE, INTERMEDIATE, 28
57552879, BOLT, HEX HEAD, 29	57553257, BOLT, SOCKET HEAD, 28
57552887, RING, O, 29	57553265, GEAR, RING, 28
57552895, PLUG, SCREW, 29	57553273, COVER, RING GEAR, 28
57552911, BOLT, HEX HEAD, 29	57553281, GEAR, SUN, 28
57552929, ADAPTER, 29	57553299, CARRIER, PLANET, 28
57552937, RING, SEAL, 29	57553307, SET, PLANET GEAR, 28
57552960, SPINDLE, 28	57553315, SET, PLANET BEARING, 28
57552978, COUPLER, 28	57553331, RING, SNAP, 29
57552986, CARRIER, PLANET, 28	57553349, RING, O, 29
57552994, RING, PILOT, 28	57553356, BOLT, SOCKET HEAD, 29
57553018, RING, SNAP, 28	57553380, SHAFT, INPUT, 29
57553026, SET, PLANET GEAR, 28	57553398, GEAR, SUN, 29
57553034, SET, PLANET BEARING, 28	57553406, CARRIER, PLANET, 29
57553042, SET, LOCATING RING, 28	57553414, SET, PLANET GEAR, 29
57553059, RING, SNAP, 28	57553422, SET, PLANET BEARING, 29
57553067, SEAL, FACE, 28	57553430, RING, SNAP, 29
57553075, RING, SNAP, 28	57553448, SET, LOCATING RING, 29
57553083, GEAR, SUN, 28	57553455, RING, SNAP, 29
57553091, RING, SNAP, 28	57553463, BEARING, BALL, 29
	57553471, WASHER, THRUST, 29

Index

INDEX

57553513, WASHER, THRUST, 29	57554891, HARNESS, WIRE, INTERNAL, 84
57553562, BOLT, HEX HEAD, 29	57555617, STRAP, DUST CURTAIN, 463
57554222, HARNESS, ENGINE–QSK19, 2ST, 193	57555666, HOUSING, REAR, 80
57554297, WIRING, ENG–QSK2STRT–ELEC, 188	57555674, HOUSING, FRONT COVER, 80
57554644, AIR CONDITIONER, ASSY, 73	57555682, NUT, HEX JAM 3/4–16, 86
57554651, COIL ASSY, 80	57555690, HEATER FITTING, 86
57554669, COIL ASSY, HTR, 80	57555708, HOSE CLAMP, 10/12, 86
57554677, FILTER W/ PREFIL & ELBOW, 80	57555716, HEATER HOSE, 5/8, 86
57554685, PACKAGE KIT, 805 IR, 80	57555724, PRE–FILTER, 90
57554693, SWITCH ASSY, IR AP, 80	57555732, HOSE CLAMP, 90
57554727, EVAPORATOR COIL, 88	57555740, ELBOW, RUBBER–3, 90
57554735, O–RING, #8, 82 , 86 , 88	57555757, MOUNT BAND, 90
57554743, BRACKET, EXP VALVE MTG, 88	57558454, HARNESS, MAIN PUMPS, 422
57554750, VALVE ASSY, WATER, 86	57559072, BUSHING, PIVOT TWRSUPPORT, 4
57554768, FITTING STR/301, HEATER, 82 , 86	57559387, BRACKET, GREASE FITTING, 22
57554776, COIL, HEATER, 86	57559577, BRACKET–HOSE, ROTARY HEAD, 173
57554784, FITTING BLKHD, 86	57561094, SPACER, CYLINDER, 122
57554792, CABLE, WATER VALVE, 86	57561359, KIT, SEAL, 202
57554818, BLOWER ASSY W/O MOTOR, 80	57561532, HANDLE, GRAB–TWR SIDEDOOR, 78
57554826, RESISTOR, 4 SPADE, 80	57561540, FOAM–TOWER SIDE DOOR, 78
57554834, TUBE, KAZOO, 82	57561557, FOAM–CURB SIDE DOOR, 76
57554842, SWITCH, TOGGLE WIRE LEAD, 84	57561565, SPRING, TENSION–DOORLATCH, 76 , 78
57554859, THERMOSTAT, ROTARY, 84	57561573, GROMMET–DOOR GRIP, 76 , 78
57554875, SWITCH NUT STANDARD, 84	57561581, GASKET–DOOR LATCH, 76 , 78
57554883, SWITCH NUT, HEAT/COOL, 84	57561599, GLASS–WINDOW, REAR, 72
	57561607, GLASS–WINDOW, FRONT, 72

Index

57561615, HINGE ASSY–RH, HOSE PANEL, 72	57561870, SWIVEL ASSY – SEAT, 73
57561623, HINGE ASSY–LH, HOSE PANEL, 72	57561888, HINGE, TOOL BOX, CAB, 73
57561631, FOAM, GASKET, 72	57561896, LATCH– TOOL BOX, CAB, 73
57561649, FLOORMAT, REAR, 72	57562548, CASTING– ADAPTER, CHAIN, 117
57561656, DOOR ASSY– CURB SIDE, 72	57562662, CHUCK, ROD–7.63 PIPE, 568
57561664, DOOR ASSY – TOWER SIDE, 72	57562670, BOLT –RODCUP, UNF– THD., 568
57561672, SPRING, GAS– DOOR CURBSIDE, 72	57562696, STOP–RODCUP, 7.63 PIPE, 146
57561680, STUD–DOOR SPRING, 72	57562712, ADAPTER, MIDDLE–7.63 PIPE, 568
57561698, RESTRAINT–DOOR, 72	57562720, ADAPTER, MIDDLE–7.63 PIPE, 568
57561706, HOLDER SET – DOOR, 72	57562829, SHIM, FINAL DRIVE, 174
57561714, FORM – FRONT, 72	57563512, CABLE, DATA, 10', DM–1, 532
57561722, FOAM – CURB SIDE, 72	57564650, ADAPTER, MIDDLE–7.63 PIPE, 568
57561730, FOAM – TOWER SIDE, 72	57565095, FLANGE AC 514/14FLYWL, 247
57561748, FOAM – REAR, 72	57565103, ELEMENT, RUBBER AC 5SN, 247
57561755, FOAM – ROOF, REAR, 72	57565129, LOCKING ASSY–2.624 DIA., 247
57561763, FOAM – ROOF, FRONT, 72	57566929, SHEAVE–ROLLER BEARING, 462
57561771, FOAM, REAR–CURB SIDE, 72	57566937, FRAME–PIVOT, DUST CURTAIN, 462
57561789, FOAM, REAR–TOWER SIDE, 72	57566945, HOUSING–SHEAVE, 7.62 DIA., 462
57561797, FOAM, SIDES–KICK PLATE, 72	57566952, PIN–SHEAVE, 7.62 DIA, 462
57561805, FOAM, FRONT/REAR–KICK PL, 72	57566986, GUIDE POST, CYLINDER, 462
57561813, HARNESS, WIRE–CAB, 72	57566994, HOUSING SHEAVE, 4.88 DIA, 462
57561821, GROMMET–ROOF, 72	57567000, HOUSING SHEAVE VERT–4.88, 462
57561839, DOMELIGHT–ROOF, 73	57567018, HOUSING SHEAVE, HORZ 4.88, 462
57561847, BULB–DOMELIGHT, 73	57567026, PIN–SHEAVE, 4.88 DIA, 462
57561854, ARMREST KIT – SEAT, CAB, 73	57567034, FRAME, LOWER, DUST CURTAIN, 462
57561862, PEDESTAL–SEAT, 73	57568289, DRILLING MONITOR, 523

Index

INDEX

- 57568487, VALVE, RELIEF (ATM), 173
- 57568578, KIT, PROX.SWITCH MOUNT, 532
- 57569444, SEAT, OPERATOR, 73
- 57569659, STRAP, DUST CURTAIN, FRONT, 462
- 57569667, STRAP–DUST CURTAIN, SIDE, 462
- 57569683, GUARD–SHEAVE HOUSING, 463
- 57569717, TANK, VERT SEP 24”DIA, 271
- 57570772, BUSHING, INDEX MOTOR, 153
- 57570780, BUSHING, INDEX MOTOR, 152
- 57570806, HUB, WORM DRIVE, 152
- 57570814, HUB, REWORK, 152
- 57570822, GEAR, WORM DRIVE OUTPUT, 153
- 57570830, SHAFT, 152
- 57570848, KEY, RECTANGULAR, 152
- 57572687, CURTAIN, DUST–MIDDLE, 463
- 57572711, CURTAIN, DUST–SIDE, 463
- 57572950, ADAPTER, HYDRAULIC MOTOR, 152
- 57573065, SUPPORT, HYDRAULIC MOTOR, 153
- 57573305, KIT, WIPER–ELEC CAB, 560
- 57573958, PLATE, MTG REAR DECKING, 10
- 57574113, MOTOR & GEAR REDUCER ASM, 146
- 57574196, SILENCER, ALUMINIZED 6”, 197
- 57576969, VALVE ASSY–DR/PR CONTROL, 342
- 57577074, BAR SUPPORT, CURT FRAME, 463
- 57578023, HOUSING, LOWER SEAL, 171
- 57579450, BRACKET, WIGGINS MTG, 551
- 57582322, RESERVOIR, HYDRAULIC, 355
- 57582330, SHIM, MTG–HYD TANK, 356
- 57582355, SUPPORT, TOWER–DM45/50/L, 4
- 57582405, STRAP, DUST CURTAIN, 463
- 57582413, PLATFORM, DUST CURTAIN, 463
- 57588519, GUSSET, CAB MTG, DM45/50/L, 63
- 57588535, BRACKET, MTG, SIDE DECK, 10
- 57589277, CURTAIN, DUST–LOWER, DML, 463
- 57589384, BRACKET, CYLINDER MTG, 462
- 57590788, DECKING, SIDE DM45/50/L, 10
- 57590796, DECKING, REAR DM45/50/L, 10
- 57590929, HOSE, 258
- 57591398, BRACKET, CYL.CLAMP, 462
- 57591406, BRACKET, FRAME, CAB SIDE, 462
- 57591414, GUSSET, BRKT, CAB SIDE, 462
- 57591422, BRACKET, FRAME D/C SIDE, 462
- 57591430, ANGLE, 462
- 57591489, STRAP, DUST CURTAIN, REAR, 462
- 57591497, CURTAIN, DUST–PIVOT, ANG, 463
- 57591505, CURTAIN, DUST–REAR, ANG, 463
- 57591547, PIN, TWR RAISE CYL–TOP, 134
- 57591554, PIN, TWR RAISE CYL, BOTM, 134
- 57594517, CABLE ASM, DUST CURTAIN, 462
- 57594525, BLOCK, PIVOT, SPLIT/RC, 145
- 57594533, ARM, LOWER, FABRICATION, 145

Index

57594541, SHAFT, ROD CHANGER, LOWER, 145	57619553, DECAL, TRAM LIGHTS, 417
57594566, ARM, LOWER, ASSEMBLY, 145	57619561, DECAL, BELOW DECK LIGHTS, 417
57597940, GAUGE, MULTI-STN ISOLATOR, 544	57619611, BRACKET, MTG (175W MV), 417
57597957, GAUGE, MULTI-STN ISOLATOR, 544	57619637, BRACKET, MTG (150W MV), 417
57597981, BOX, CENTRAL TEST STATION, 544	57619645, BRACKET, MTG (150W HPS), 417
57598021, NAMEPLATE, GAUGE LOW PR., 544	57619652, MOUNT, (400W HPS LIGHT), 417
57598039, NAMEPLATE, GAUGE HI-PR., 544	57619660, PLATE, REINFORCEMENT, 417
57598146, GAUGE, BARE 0-5000 PSI, 544	57619942, PLATE, MTG.175W MV LIGHT, 417
57598153, GAUGE, BARE 0-600 PSI, 544	57620239, PLATE, MTG. 175W MV LIGHT, 417
57598377, DECAL, HYD TEST STATION, 544	57620247, BOX, SWITCH, LIGHTS, 417
57600090, GUARD, HOSE-TEST STATION, 544	57620254, PLATE, MTG (400W HPS), 417
57608788, SWITCH, TOGGLE, ON-ON-OFF, 560	57620437, FRAME, BATTERY GENSET, 480
57608960, DECAL.EMERGENCY STOP, 546	57620445, QUICK STRAP, BATTERY, 480
57610552, HOSE ASSEMBLY, 340	58038761, LEVEL, 107
57613317, WELDMENT, TOWER, 35FT, 122	58044546, HOSE HUMP, 217
57614224, GEN.SET, DEUTZ ENG.25KW, 480	58044744, BAND, MOUNTING, 217
57614315, DUST SEAL, 576	58051095, CLAMP, HOSE, 268
57614323, SEAL, 578	58060179, CLAMP, CABLE, 462
57615536, PANEL, BREAKER/BOX ASM, 110	58060294, HOSE ASSY, 264
57615619, BRACKET, MTG BRKR BOX ASM, 110	58081647, RIVET, 1/8 DIA X .357POP, 421 , 523
57615643, MOUNT, LIGHT-D.C. SIDE, 417	58081662, HOSE ASSY, 508 , 544
57615817, PIPE, 598	58140328, HOSE ASSY, 508
57619546, DECAL, DRILL LIGHTS, 417	58145392, RUBBER, 108
	58148040, HOSE ASSY, 405
	58150103
	CORD, 14/2, 443
	WIRE, ELECTRICAL, 228 , 509
	58150111, WIRE, ELECTRICAL-14/3, 548

Index

INDEX

58154345, HOSE ASSY, 463	59337212, RING, BACKUP, 58
58154378, HOSE ASSY, 443	59356907, CONNECTOR, 3-WAY, MALE, 421
58159088, INSULATOR, HEAT SHRINK., 501	59374934, O-RING, 58
58162454, HOSE ASSY, 265	59375030, O-RING, 58
58167024, BUSHING, 202	59383463, STUD, ADAPTER, 332
58170465, HOSE ASSY, 108 , 508	59476705, SEAL KIT, 178 , 350
58176041, CONNECTOR, BUTT, 501	59506436, FITTING, HOSE, 574
58182791, HOSE ASSY, 364 , 366	59514976, PLUG, MAGNETIC, 332
58192915, GASKET, 153	59515007, DIPSTICK, 332
58194937, GEAR, WORM, 153	59516096, SLEEVE, SPLINE, 332
58194945, BEARING, BALL, 153	59551127, HOUSING, GEARBOX, 332
58194960, GASKET, 153	59551242, BUSHING, REDUCER, 332
58205261, HOSE ASSY, 544	59551259, PLUG, OIL LEVEL, 332
58208851, CLAMP, HOSE, 200	59551267, PLUG, 332
58209651, OIL, GEAR, 153 , 172	59551275, ELBOW, 332
58219056, HOSE ASSY, 257	59572917, ADAPTER, SAE B, 332
58226655, END CAP, 153	59595629, O-RING, 332
58227661, SEAL, OIL, 153	59677831, BREATHER, 332
58229790, BOLT AND NUT, 568 , 572	59729566, NOZZLE, COOLANT, 555
58229915, SEAL, OIL, 171	59729707, KIT, SEAL, 434
58231887, BOX, BATTERY, 209	59752055, SEAL, 468
58233016, VALVE, TEMP. BY-PASS, 265	59854828, TERMINAL, 14-16 AWG MALE, 209 , 421
58233693, WASHER, CINCH, 202	59854943, CONNECTOR, 2-WAY FEMALE, 421
58249608, CAP, END, 22	59860841, ELEMENT-AIR CLEANER, 90
58814419, ELECT. CONN, 4 WAY, MALE, 422	59895151, CONNECTOR, 3-WAY, FEMALE, 209 , 421
59322677, WIPER, 408 , 468	59941393, O-RING, 58

Index

59956466, RELAY, SOLENOID–24VMARINE, 193	95245049, CONDUIT, FLEX–1/2SEALTITE, 509 , 523 , 524
855017P0286, SWITCH PUSHBUTTON, 107 , 546	95245221, CONNECTOR, STRAIGHT–1/2, 421 , 523
85597904, FITTING, HYD, 507	95249587, PLUG, PIPE–3/8 SQ HEAD, 172
88001599, PANEL, 514	95256723, CLAMP–1/2, 421 , 536
92473297, CANNISTER, 230	95256749, CLAMP–3/4, 421
95017984, O–RING, 324	95256863, BUSHING, REDUCING–.75X.50, 421
95040333, ELBOW, 90–3IN, 271	95257341, CAP, JIC–6, 276
95060745, O–RING, 271	95264891, ELBOW, 90DEG–EXT/INT NPT, 99 , 272 , 274
95070603, O–RING, 590	95264909, ELBOW, 90DEG–EXT/INT NPT, 274
95101457, PLUG PIPE, 50 , 54	95264925, FITTING, HYD, 99
95200663, BEARING, 332	95264941, FITTING, HYD, 551
95208773, SCREW, CAP, 462	95266433, O–RING, 356 , 378
95209086, FITTING, HYD, 228 , 257 , 507	95279055, FITTING, HYD, 524
95209888, O–RING, HYD, 362	95279105, FITTING, HYD, 237 , 443 , 551
95209987, LOCKNUT, BRG, 171	95279113, FITTING HYD, 237
95214037, BEARING, 171	95279121, FITTING, 356
95219713, FITTING, HYD, 443 , 507	95279139, FITTING, HYD, 264 , 265
95219721, FITTING, HYD, 443	95279147, FITTING, HYD, 173
95219739, FITTING, HYD, 427	95279170, FITTING, HYD, 551
95219747, FITTING, HYD, 188 , 356 , 390 , 427 , 551	95279220, FITTING HYD, 237
95219762, FITTING, HYD, 356	95279337, FITTING, HYD, 264
95219770, FITTING, HYD, 355 , 356	95279352, FITTING, HYD, 551
95219853, FITTING, HYD, 340 , 356 , 427 , 509	95279378, FITTING, HYD, 237 , 356 , 551
95220844, CLAMP, HOSE, 574	95279402, ELBOW, 90DEG MALE 37DGFL, 237 , 260 , 264
95238119, WASHER, LOCK–1–1/2, 118	95279410, FITTING HYD, 368

INDEX

Index

95279469, FITTING HYD, 265	95299590, U-BOLT, 456
95279477, FITTING, HYD, 264	95301834, CLAMP, HOSE, 548
95279493, FITTING, HYD, 509	95301842, CLAMP, HOSE, 202 , 509
95279519, FITTING, HYD, 241 , 507	95301859, CLAMP, HOSE, 193 , 508
95279527, FITTING, HYD, 276	95301883, CLAMP, HOSE, 428
95279535, FITTING, HYD, 237 , 443 , 507 , 509 , 551	95302147, SWIVEL-90DEG, INT NPT/JIC, 241
95279543, FITTING, HYD, 228 , 443	95302170, FITTING, HYD, 507
95279832, CLAMP HOSE, 99	95302733, FITTING, 276
95279857, FITTING, STR-EXT NPT, 237	95303335, FITTING, HYD, 228 , 356 , 443
95279956, TEE, 237	95303350, ELBOW, 427
95280004, ELBOW, 271	95303368, ADAPTER, STR-JIC/O-RING, 340 , 350 , 400
95280087, TEE 135A23S2, 265	95308573, KEY, SQUARE-1/2 X 6, 145
95280095, FITTING, TEE-INT NPT, 368	95313961, HOSE, AIR-R32 BULK, 132
95280160, FITTING, HYD, 368	95315214, FITTING, HYD, 99
95280186, FITTING, HYD, 188 , 342 , 355 , 368 , 551	95315222, FITTING, HYD, 237 , 274
95280194, FITTING, HYD-90JIC/ORING, 284 , 285	95315289, FITTING, 284 , 356
95280541, FITTING, HYD, 340 , 341 , 355	95316956, FITTING, HYD, 257 , 368
95286555, FITTING HYD, 340	95316972, FITTING, HYD-NPT/JIC, 507 , 574
95286563, ADAPTER, 507	95317434, FITTING, HYD, 427
95286902, FITTING, 257	95318457, CONNECTOR, 3/4 90 DEG, 421
95286910, ELBOW, 173	95322780, TEE, 272
95287629, FITTING, HYD, 272 , 507	95322871, CLAMP, HOSE, 523
95293353, ADAPTER, 107	95323358, FITTING, STR-EXT NPT RUN, 237
95293387, FITTING, HYD, 509	95323432, FITTING-TEE, EXT/INT RUN, 237
95293403, FITTING, HYD, 237	95323465, PLUG HEAD, 173 , 228 , 274 , 341 , 342 , 356 , 375 , 400
	95324273, FITTING, HYD, 264 , 272 , 356

Index

95326955, PLUG W/O RNG, 264 , 355 , 396	95359329, TERMINAL, RING, 193 , 498
95329975, FITTING, HYD, 134 , 264 , 364 , 463	95359410, FITTING, HYD, 241 , 375
95329983, FITTING, HYD–JIC/O–RING, 274 , 284 , 378 , 396	95361028, PLUG–W/O–RNG, 355
95330023, FITTING, HYD, 228 , 274	95361390, CONNECTOR, 1/2 90 DEG, 421 , 509
95330692, ADAPTER, 90DEG–O–RING/JIC, 274 , 340 , 341 , 427	95361853, CONNECTOR, 1.5 X 45 DEG, 422
95333209, CONDUIT, FLEX–1/2, 546	95364469, FITTING, HYD, 427
95333266, CONNECTOR, STRAIGHT–1.5, 523	95364949, FITTING, HYD, 241
95333407, CONNECTOR, 523	95364956, FITTING, HYD, 427
95335980, FITTING, HYD, 260	95365078, FITTING, HYD, 350 , 364
95338372, FITTING, HYD, 428	95365086, FITTING, HYD, 370 , 396 , 400 , 544
95341665, FITTING, HYD–90 DEG, 285	95365094, ADAPTER, 90DEG–O–RING/JIC, 134
95341798, PIPE, 50	95365177, FITTING, HYD, 264
95343596, PLUG, WITH O–RING, 342 , 355 , 368 , 375 , 396	95366001, ADAPTER, 90DEG–O–RING/JIC, 160
95344719, OUTLET BODY, 421	95367025, FITTING, HYD, 237
95344727, OUTLET BODY, 420	95368536, CONNECTOR, 1/2 45 DEG, 421 , 546
95344818, COVER, 1/2, 420 , 421	95371092, CLAMP, HOSE, 193
95344826, COVER, 3/4, 420	95371209, ADAPTER, 90DEG–O–RING/JIC, 356
95344867, GASKET, COVER–1/2, 420 , 421	95371217, FITTING, 368
95344875, GASKET, COVER–3/4, 420	95371241, ADAPTER, STR.–JIC/O–RING, 356
95356903, FITTING, HYD, 341 , 342 , 400 , 463	95371258, FITTING, HYD, 340 , 344 , 350 , 356 , 370
95356960, FITTING, HYD, 274 , 356 , 396 , 400	95371704, FITTING, HYD, 108
95356978, ADAPTER, STR, JIC/O–RING, 160 , 228 , 396	95376133, ADAPTER, 90DEG–O–RING/JIC, 356
95356986, FITTING, HYD, 355	95376141, ADAPTER–90DEG, ORING/JIC, 375
95357570, FITTING, HYD, 396	95377743, OUTLET, BODY, 420
95357604, ADAPTER, 90DEG–ORING/JIC, 356	95378873, CLAMP, HOSE, 413 , 508

INDEX

Index

INDEX

- 95378907, FITTING, HYD, 276
- 95381380, FITTING, HYD, 427
- 95381828, U-BOLT, 368
- 95387346, ADAPTER, 264
- 95391983, HOSE, AIR-R64 BULK, 268
- 95396768, CLAMP, HOSE, 523
- 95402806, FITTING, 375
- 95402830, FITTING, 342 , 356
- 95408167, PLUG, PIPE, 507
- 95412623, SCREW, 501
- 95414009, FLANGE, 264
- 95414033, OUTLET BODY, 420 , 523
- 95414058, COVER, 1.5, 420 , 523
- 95414066, GASKET, COVER-1-1/2, 421 , 523
- 95415667, FITTING, HYD, 375 , 396
- 95419594, FITTING, HYD, 258 , 340 , 400
- 95431292, FITTING, HYD, 356
- 95433751, FITTING, HYD, 264
- 95434551, BEARING, ROLLER, 171
- 95434569, BEARING, ROLLER, 171
- 95434874, BEARING, 171
- 95445664, CLAMP, HOSE, 508
- 95446563, COUPLING, 488
- 95457586, CLAMP, HOSE, 509
- 95469169, FITTING, TUBE, 443
- 95473443, FITTING, HYD, 396
- 95480109, FITTING, HYD-90DEGO-RING, 284
- 95482451, CONNECTOR, 1 45 DEG, 108 , 421
- 95488110, FITTING, TUBE, 271
- 95504015, PLUG, 1/2-ORING, HEX SOC, 384
- 95529079, FITTING, TUBE, 271 , 427
- 95538252, FITTING, HYD, 99 , 274
- 95568960, GASKET, 247
- 95644241, ELBOW, 90DEG-EXT/INT NPT, 260
- 95647798, FITTING, HYD, 228
- 95650149, ADAPTER, 173
- 95650156, ADAPTER, 390
- 95655072, FITTING, HYD, 274
- 95660601, ADAPTER, 272
- 95663803, FITTING, TUBE, 228 , 355 , 427
- 95666996, FITTING, HYD, 174 , 344 , 350
- 95678041, FITTING, HYD, 264
- 95702619, ADAPTER, 274
- 95711156, BEARING, SPHERICALROLLER, 171
- 95730990, TEE, NPT/JIC, 276
- 95731014, FITTING, HYD, 271
- 95735049, OUTLET BODY, 421
- 95735346, FITTING, HYD, 344 , 355
- 95746194, PLUG, ORING-SAE 32, 228 , 428
- 95748562, FITTING, HYD, 271 , 551
- 95754867, FITTING, HYD, 544
- 95758595, BEARING, 152

Index

F

95775623, FITTING, HYD, 99 , 274

95802245, V-BELT, 96

95829362, FITTING, HYD, 340 , 341

95926838, PLUG, 1/8 O-RING-HEX SOC, 384

95959086, SCREW, CAP-3/8-24 X 1-1/4, 153

95985925, TERMINAL, FEMALE, 422

96704036, CAPSCREW M16X140 GR 8.8, 268

F04X000J--/J--, FC310-04 HOSE INDICA-
TOR, 237

F06X000J--/J--, FC310-06 HOSE INDICA-
TOR, 427

F08X000J--/J--, FC310-08 HOSE INDICA-
TOR, 427

INDEX



Atlas Copco Drilling Solutions, Inc.

A Company Within the Atlas Copco Group

P.O.Box 462288, 2100 North First Street

Garland, Texas 75046-2288

www.atlascopco.com/drillingsolutions