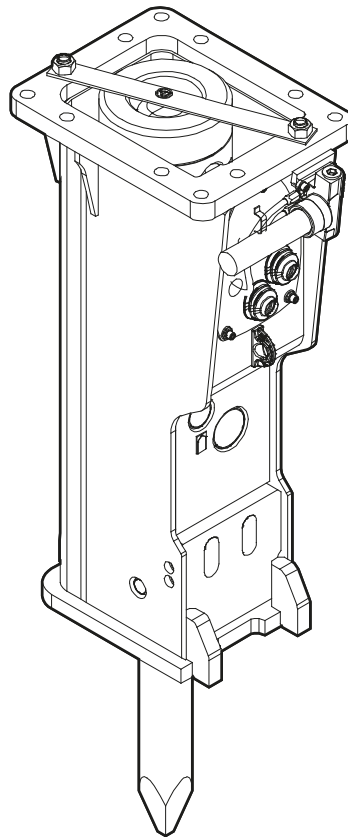


EC 120T CL

Spare parts list Hydraulic breakers

EC 120T CL s/n DEQ250047-



General information

This spare parts list applies to the following:

Part number	Description
8460050172	Hydraulic breaker EC 120T CL with ContiLube™ II
8460050170	Hydraulic breaker EC 120T CL with ContiLube™ II and HATCON (LTE)

Use only authorized parts. Any damage or malfunction caused by the use of unauthorized parts is not covered by Warranty or Product Liability. Any unauthorized use or copying of the contents or any part thereof is prohibited. This applies in particular to trademarks, model denominations, part numbers, and drawings.

Instructions for use

This spare parts list contains no safety regulations and is merely intended to assist in the ordering of spare parts.

For information about operating, servicing, or repairing, the relevant Safety and operating instructions must be consulted at all costs.

Please observe the safety instructions listed in the relevant Safety and operating instructions!

Instructions for ordering

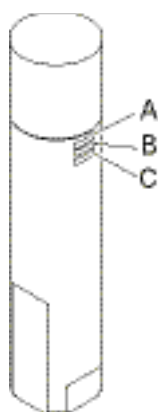
It is essential to indicate the serial number of the hydraulic attachment when ordering spare parts!

Please note the full identification number of your hydraulic attachment.

The code can be found on the main body.

Determine the quantity of individual parts which are required and need to be ordered. The order must indicate the following details:

- full identification code of the hydraulic attachment
- required quantity
- part number
- description



- A. Type
- B. Serial number
- C. Main body number

Service, repair and wear part kits

Label kit 2
Kit list 4

Mechanical

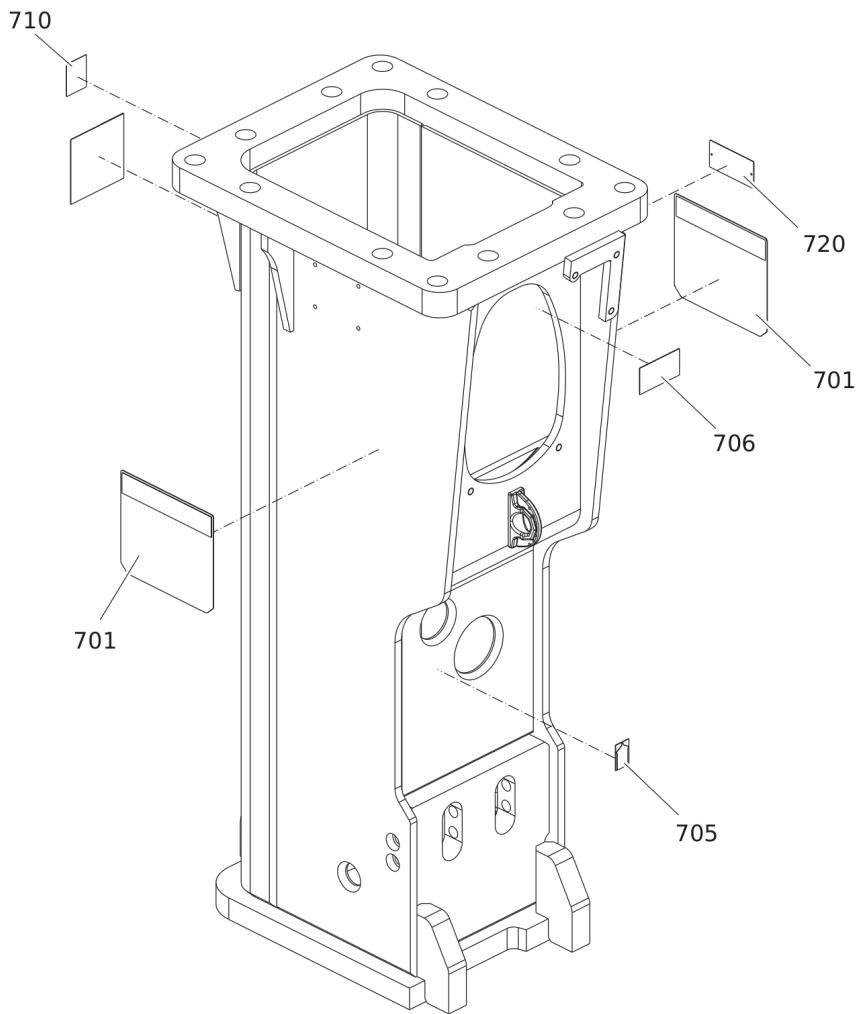
Hydraulic breaker 6
Percussion unit 8
Main body complete and Percussion piston 10
Connecting parts for automatic lubrication system 12
HATCON 14
Optional parts 16
Tightening torques 18
Dimensions 20

Options / accessories

Hydraulic hoses 22
Optional equipment 24
Working tools 26

Service, repair and wear part kits Label kit

700			
701	705	706	710



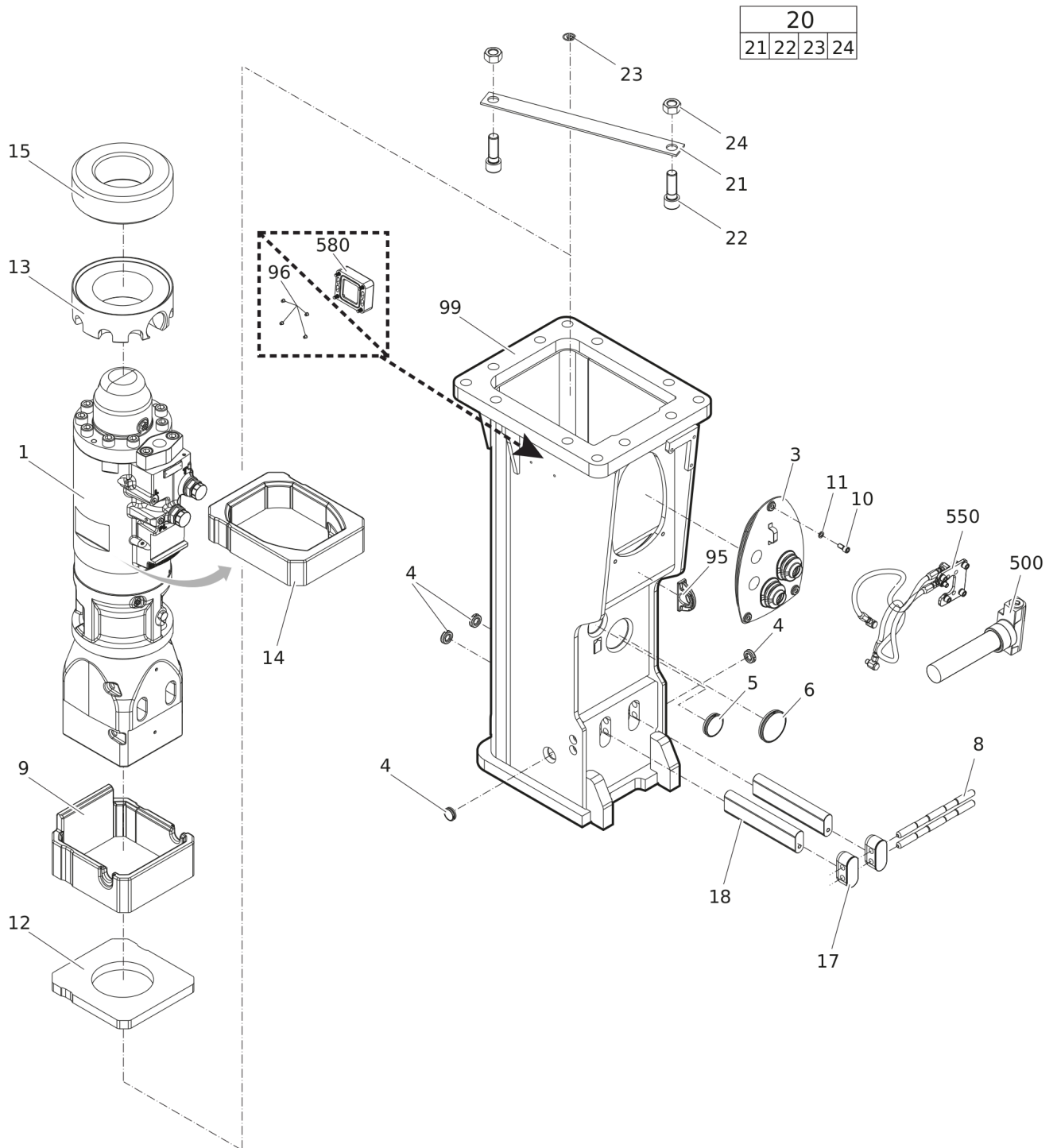
Item	Part No.	Name	Qty	L
700(701-710)	3363121468	LABEL KIT	1	
701		LABEL "EC 120 Epiroc"	2	
705		LABEL - LUBRICATING SYMBOL	1	
706		GAS PRESSURE LABEL	2	
710		SOUND POWER LABEL	1	
720		NAME PLATE - Consult the authorized Customer Center/Dealer in your area.	1	

Service, repair and wear part kits Kit list

NO EXPLODED VIEW
AVAILABLE
FOR THIS BOM

Item	Part No.	Name	Qty	L
KIT	3363117266	SEAL KIT	1	
101	3363110041	O-RING	2	
107	3360314495	O-RING	2	
160	3360314551	O-RING	2	
182	3360478426	THREADED PLUG	1	
183	3360175125	O-RING	1	
201	3363109513	SEAL	1	
202	3363109515	BACK-UP RING	1	
203	3363066654	SEAL	1	
204	3363110043	SEAL	6	
302	3363110075	SEAL	1	
304	3363066656	WIPER	1	
305	3362267582	SEAL	1	
306	3362267583	SEAL	2	
307	3362267588	SEAL	8	
308	3363110076	O-RING	2	
KIT	3363091732	SEAL KIT for swivel joint for automatic lubrication system	1	

Mechanical Hydraulic breaker



Item	Part No.	Name	Qty	L
1		PERCUSSION UNIT	1	A
3	3315443235	COVER	1	
4	3362267897	PLUG	4	
5	3362267893	PLUG	1	
6	3315444046	PLUG	1	
8	3315443948	BOLT	2	
9	3315443942	LOWER GUIDE	1	
10	3360103750	ALLEN SCREW	3	
11	3361850596	PAIR OF LOCK WASHERS	3	
12	3315443941	SHOCK ABSORBER	1	
13	3315443947	SPACER	1	
14	3315443944	UPPER GUIDE	1	
15	3363104967	ELASTIC PAD	1	
17	3363114676	PLUG	2	
18	3315443934	RETAINER BAR	2	
20(21-24)	3363083416	TRANSPORT SAFETY DEVICE, complete	1	
21		TRANSPORT SAFETY DEVICE	1	
22	3360026883	ALLEN SCREW	2	
23	3363091872	LABEL TRANSPORT SAFETY DEVICE	1	
24	3360103254	NUT	2	
95	3363111993	LIFTING EYE	1	B
96	3315439145	PROTECTIVE PLUG HATCON	4	C
99	3315443906	BREAKER BOX	1	D
500	3363067123	AUTOMATIC LUBRICATION SYSTEM	1	
550		CONNECTING PARTS	1	A
580		HATCON	1	E

Comments for Page: Hydraulic breaker

(L)OCAL REMARKS

A | see separate chapter

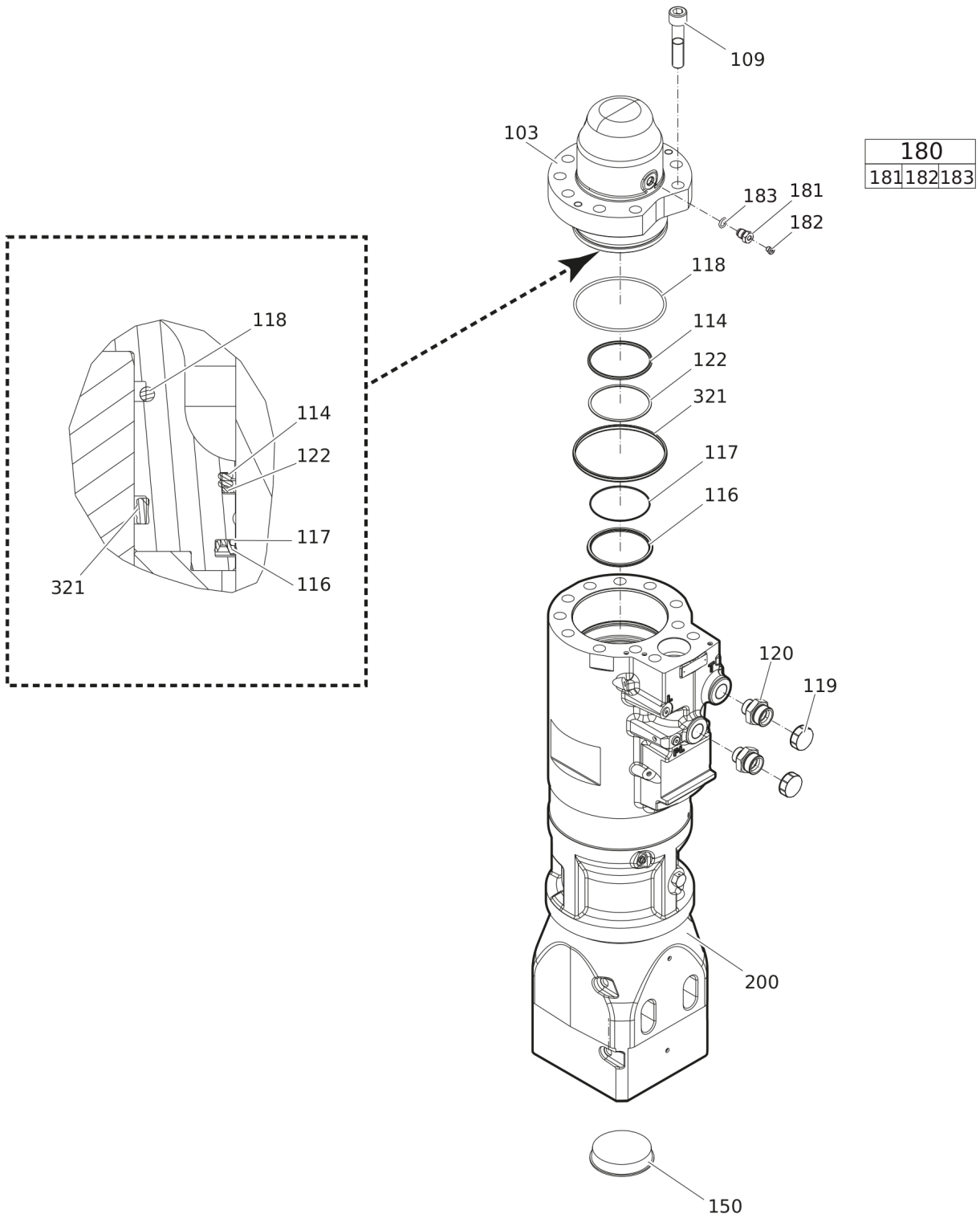
B | professional welding process necessary

C | only for hydraulic breakers without HATCON

D | with item 95 and 96

E | only for hydraulic breakers with HATCON / see separate chapter

Mechanical Percussion unit



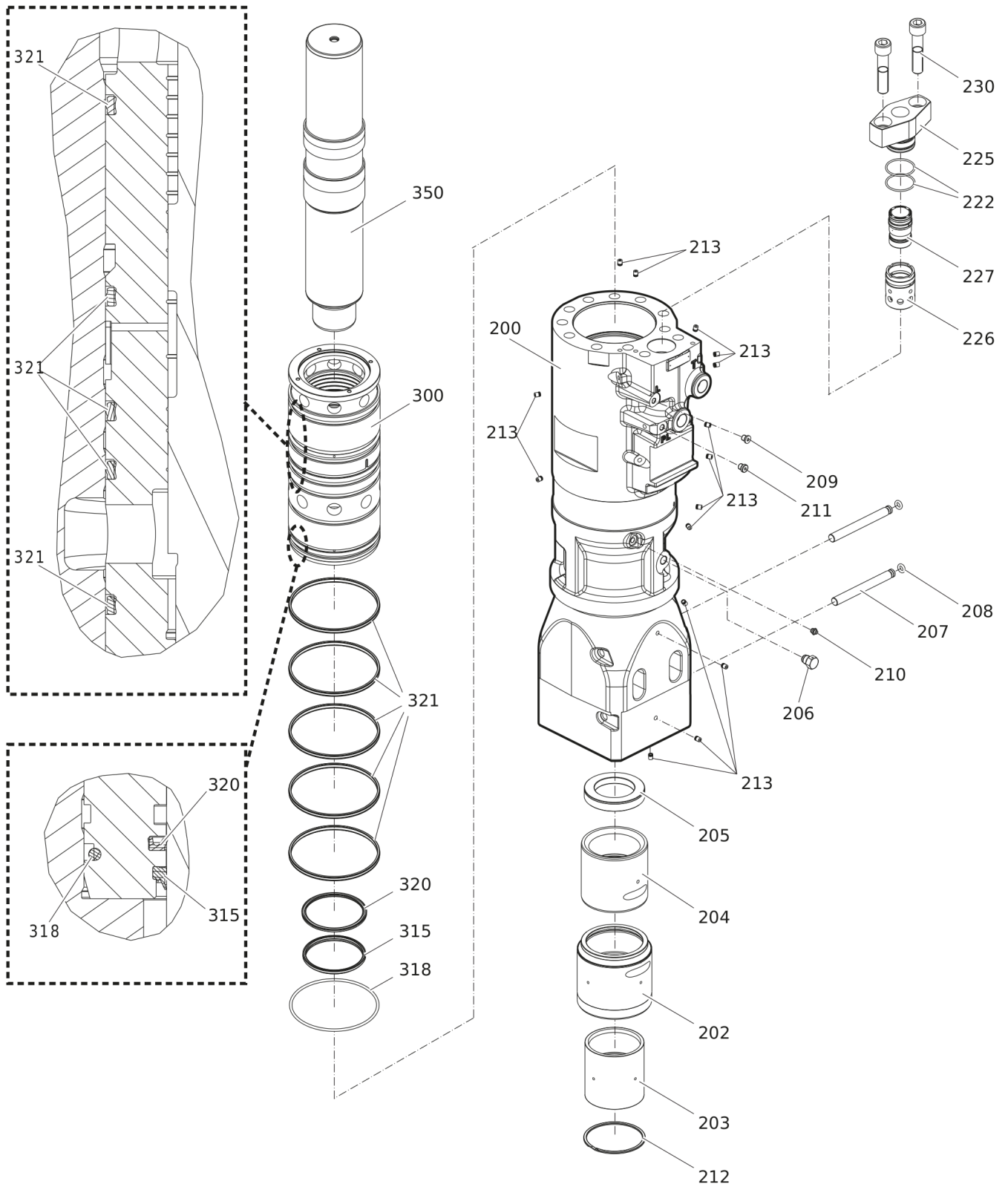
Item	Part No.	Name	Qty	L
103	3315443911	BACK HEAD	1	
109	0211196235	SCREW	10	
114	3363066654	SEAL	1	
116	3363109513	SEAL	1	
117	3363109515	BACK-UP RING	1	
118	3363110041	O-RING	1	
119	3361353488	CAP	2	
120	0580001679	FITTING	2	
122	3315443978	RING	1	
150	3363109425	COVER	1	
180(181-183)	3363087286	FILLING VALVE, complete	1	
181		FILLING VALVE	1	
182	3360478426	THREADED PLUG	1	
183	3360175125	O-RING	1	
200	3315443902	MAIN BODY	1	A
321	3363110043	SEAL	1	

Comments for Page: Percussion unit

(L)OCAL REMARKS

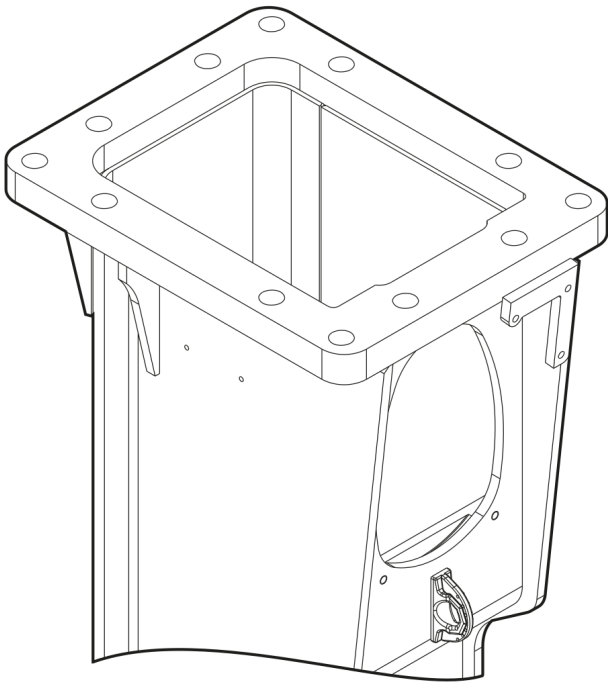
A | see separate chapter

Mechanical Main body complete and Percussion piston

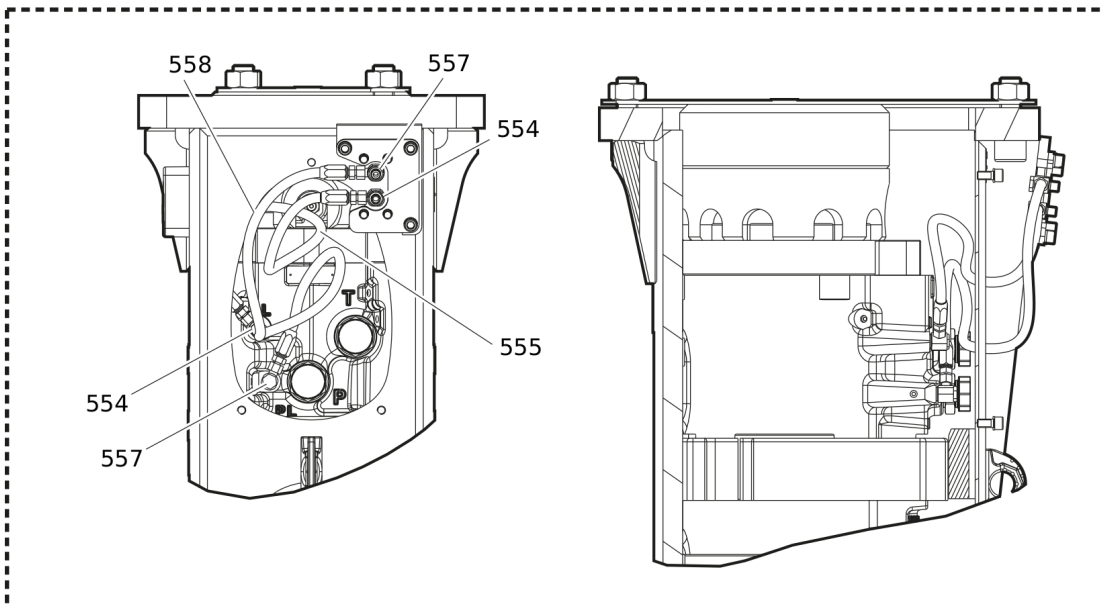
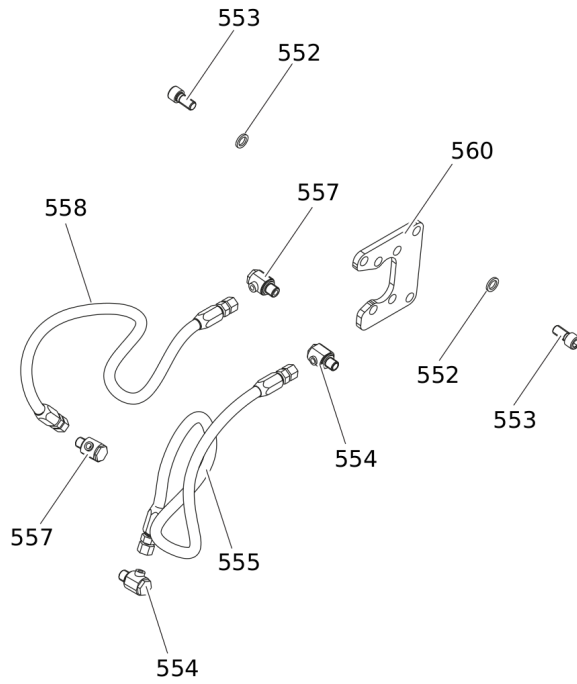


Item	Part No.	Name	Qty	L
200	3315443902	MAIN BODY	1	
202	3315449230	GUIDE BUSH	1	
203	3315443931	WEAR BUSH	1	
204	3363109499	WEAR BUSH	1	
205	3315443932	IMPACT RING	1	
206	3363109435	NON RETURN VALVE	1	
207	3363109523	BOLT	2	
208	3363110076	O-RING	2	
209	3360478439	THREADED PLUG	1	
210	3360433774	GREASE NIPPLE	1	
211	3363066963	PLUG	1	
212	3315443991	LOCK RING	1	
213	0686100009	PLUG	15	
222	3363034250	O-RING	2	
225	3315443915	VALVE COVER	1	
226	3363109505	CONTROL BUSH	1	
227	3315443919	MAIN CONTROL VALVE	1	
230	3315444203	ALLEN SCREW	2	
300	3315443913	LINER	1	
315	3363066656	WIPER	1	
318	3363110041	O-RING	1	
320	3363110075	SEAL	1	
321	3363110043	SEAL	5	
350	3363110066	PERCUSSION PISTON	1	

Mechanical Connecting parts for automatic lubrication system



550						
552	553	554	555	557	558	560



Item	Part No.	Name	Qty	L
550(552-560)		CONNECTING PARTS	1	
552	3361850596	PAIR OF LOCK WASHERS	7	
553	3360103750	ALLEN SCREW	7	A
554	3363066233	FITTING	2	B
555	3363083873	HYDRAULIC HOSE	1	C
557	3363066234	FITTING	2	D
558	3363087394	HYDRAULIC HOSE	1	E
560	3363115928	SUPPORT	1	

Comments for Page: Connecting parts for automatic lubrication system

(L)OCAL REMARKS

A | secure all 4 allen screws with Loctite 243 screwed in the ContiLube® II

B | secure with Loctite 243

C | Grease line

secure with Loctite 243

Route the hydraulic hoses as shown on the drawing. It must be ensured that the hydraulic hoses can move freely and are not in contact at any point.

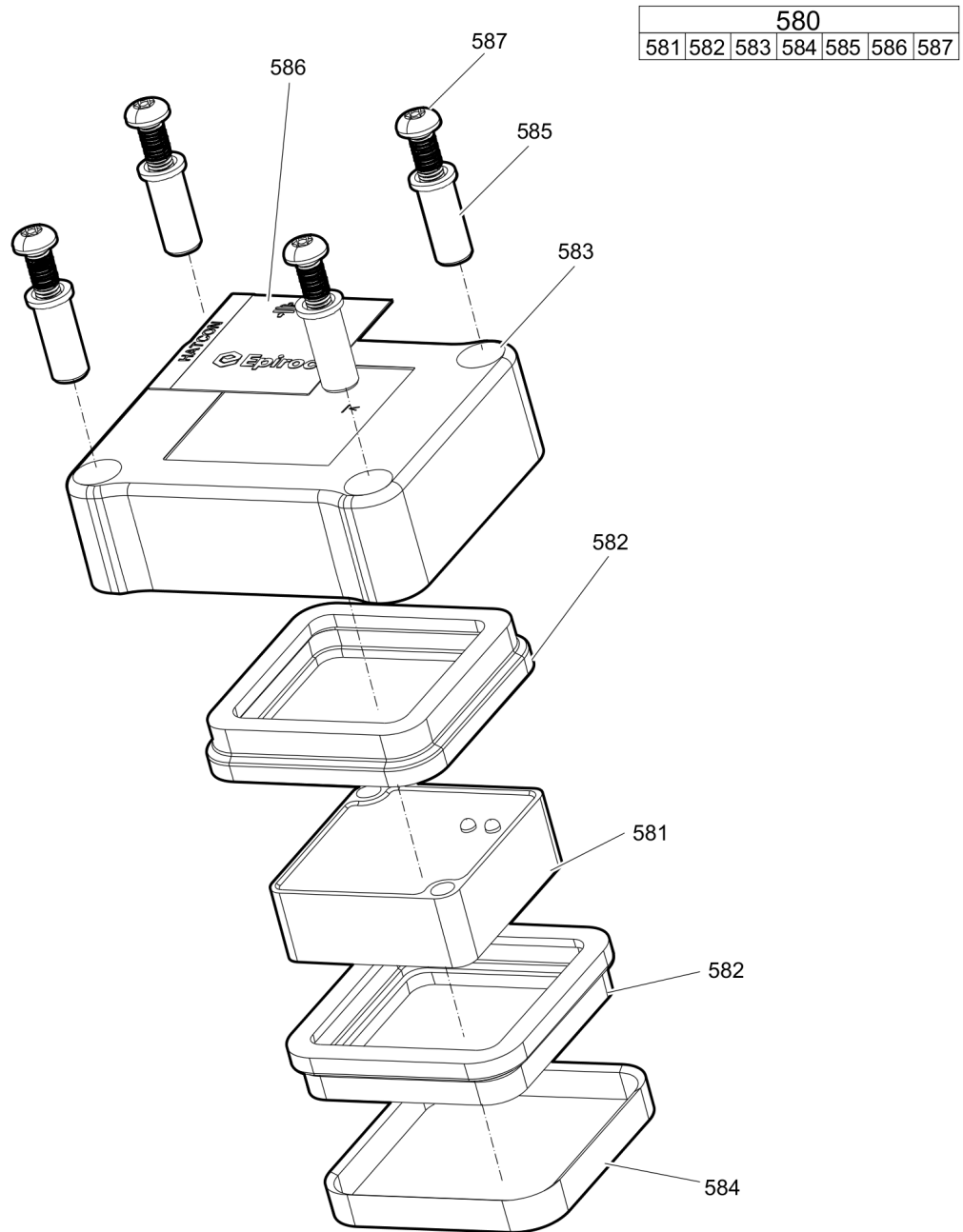
D | secure with Loctite 243

E | Oil line

secure with Loctite 243

Route the hydraulic hoses as shown on the drawing. It must be ensured that the hydraulic hoses can move freely and are not in contact at any point.

Mechanical HATCON

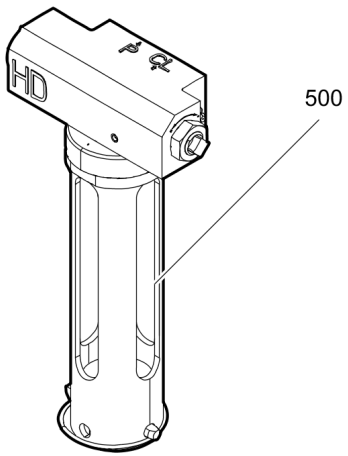


Item	Part No.	Name	Qty	L
580(581-587)		HATCON	1	A
581		TRACKING MODULE HATCON	1	
582	3315439130	DAMPER HATCON	2	
583	3315439110	HOUSING TYPE 1 HATCON	1	
584	3315439140	LOCK RING HATCON	1	
585	3315439120	SLEEVE HATCON	4	
586	3315439100	PRODUCT LABEL HATCON	1	
587	3315442600	SCREW HATCON	4	

Comments for Page: HATCON

A | part number see chapter "Optional equipment"

Mechanical Optional parts



Item	Part No.	Name	Qty	L
500	3363117931	AUTOMATIC LUBRICATION SYSTEM HD	1	

Mechanical Tightening torques

NO EXPLODED VIEW
AVAILABLE
FOR THIS BOM

Item	Part No.	Name	Qty	L
10		ALLEN SCREW, Allen key size 10 - 10 Nm (7 ft lbf)		
109		ALLEN SCREW, Allen key size 19 - 550 Nm (406 ft lbf)		A
120		PIPE COUPLING, Open-end wrench size 50 - 250 Nm (184 ft lbf)		
181		FILLING VALVE, Socket spanner size 22 - 130 Nm (96 ft lbf)		
182		THREADED PLUG, Allen key size 5 - 20 Nm (15 ft lbf)		
206		NON RETURN VALVE, Socket spanner size 22 - 130 Nm (96 ft lbf)		
209		THREADED PLUG, Allen key size 6 - 30 Nm (22 ft lbf)		
210		GTREASE NIPPLE, Open-end wrench size 14 - 20 Nm (15 ft lbf)		
211		PLUG, Allen key size 6 - 35 Nm (26 ft lbf)		
230		ALLEN SCREW, Allen key size 19 - 1080 Nm (797 ft lbf)		A
587		SCREW HATCON, Security bit HATCON - 22 Nm (16 ft lbf)		

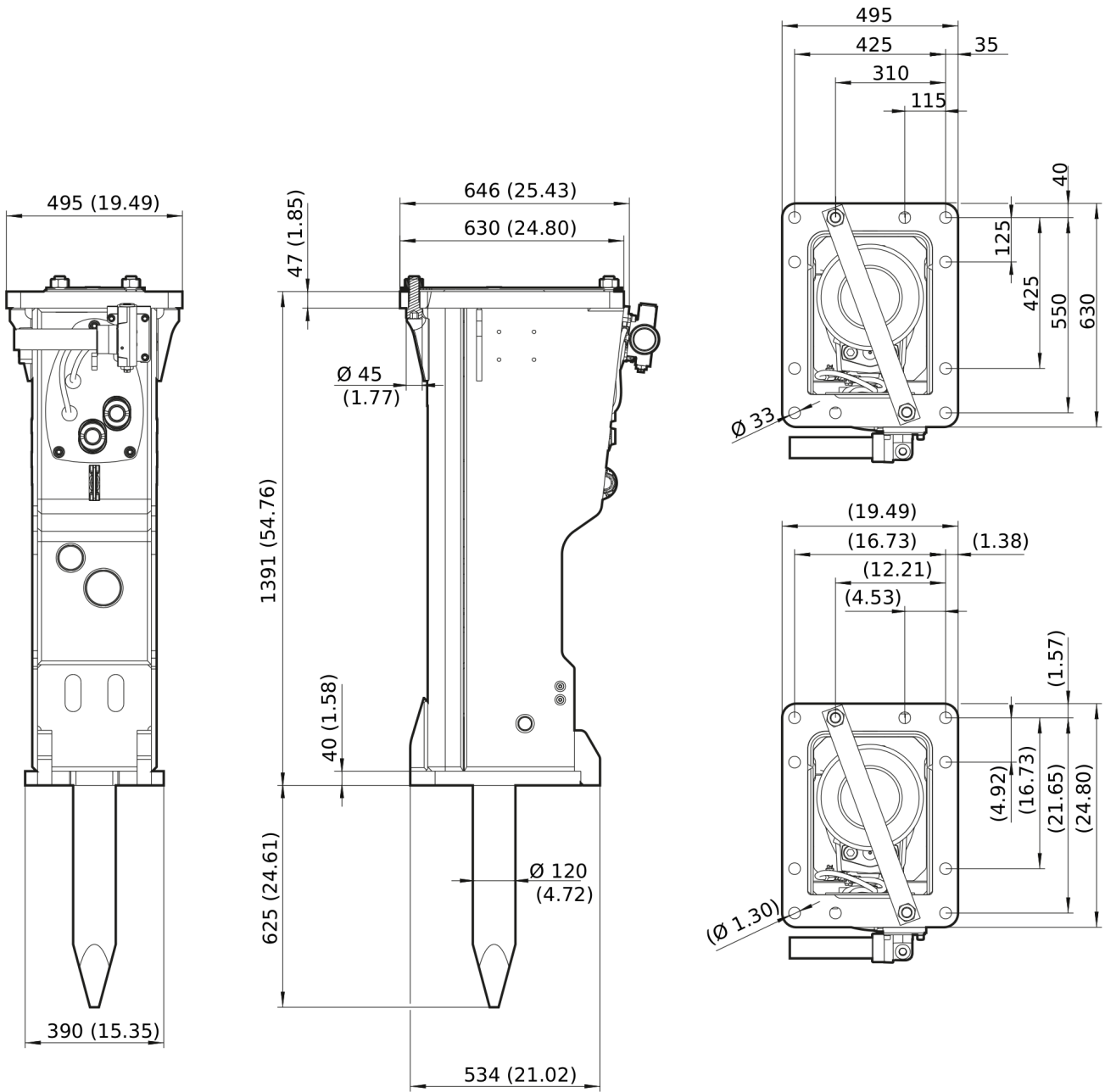
Comments for Page: Tightening torques

Molycote is a registered trademark of Dow Corning Corporation.

(L)OCAL REMARKS

A | Molycote 1000

Mechanical Dimensions



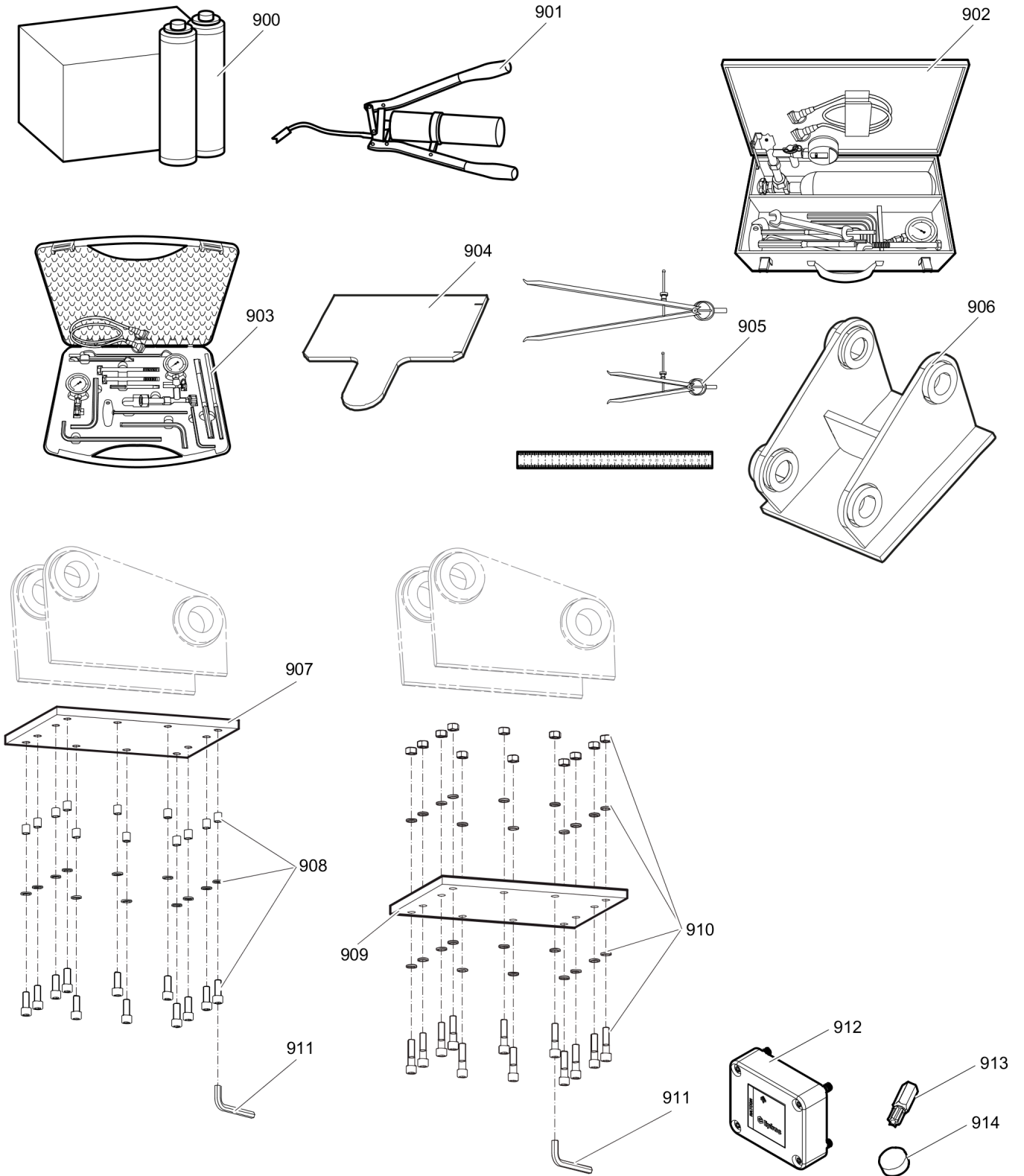
This page intentionally left blank

Options / accessories Hydraulic hoses

NO EXPLODED VIEW
AVAILABLE
FOR THIS BOM

Item	Part No.	Name	Qty	L
-	3360992340	HYDRAULIC HOSE, I.D. 25 (1"), both ends M42 x 2 conical seal 24°, length 2300 mm (91 in.)	2	
-	3363115797	HYDRAULIC HOSE, I.D. 25 (1"), both ends M42 x 2 conical seal 24°, length 2600 mm (102 in.)	2	
-	3361853859	HYDRAULIC HOSE, I.D. 25 (1"), both ends M42 x 2 conical seal 24°, length 2800 mm (110 in.)	2	

Options / accessories Optional equipment



Item	Part No.	Name	Qty	L
900	3363122356	BIO CHISEL PASTE CARTRIDGE, 12 x 550 g (1.2 lbs)	1	
900	3363091200	CHISEL PASTE CARTRIDGE, 12 x 500 g (1.1 lbs)	1	
901	3363034567	GREASE PUMP	1	
902	3363491004	CHARGING BOX with nitrogen cylinder, 2 l, 0.43 gal (0.53 US gal)	1	
903	3363117786	CHARGING BOX without nitrogen cylinder	1	
904	3363068255	TEST GAUGE LOWER WEAR BUSH	1	
905	3363094952	INSIDE CALLIPERS UPPER WEAR BUSH	1	
906		ADAPTER PLATE matching the carrier. Consult the authorized Customer Center/Dealer in your area.	1	
907	3363099799	BASE PLATE WITH THREADED INSERTS	1	
908	3363087303	BOLT KIT	1	
909	3363100697	BASE PLATE WITH THROUGH BORINGS	1	
910	3363094575	BOLT KIT	1	
911	3360209253	ALLEN KEY (19 mm)	1	
912	3315442500	HATCON KIT 1 (3G)	1	A
912	3315442520	HATCON KIT 1 (LTE)	1	A
913	3315439105	SECURITY BIT HATCON	1	
914	3315439106	MAGNET HATCON	1	

Comments for Page: Optional equipment

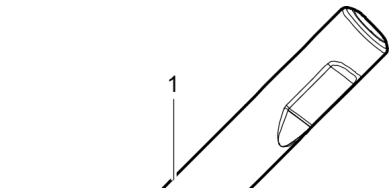
A | with item 913 and 914

Hydraulic breakers are factory equipped with threads for attaching Retrofit kit HATCON

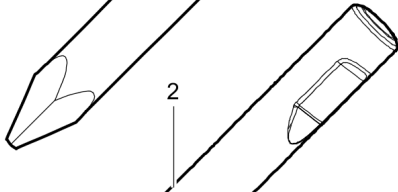
from s/n DEQ201131 - (EC 120T)

from s/n DEQ201133 - (EC 120T CL)

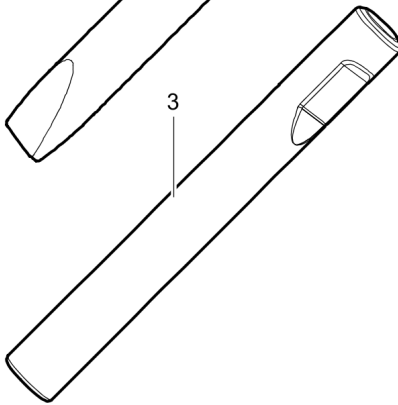
Options / accessories Working tools



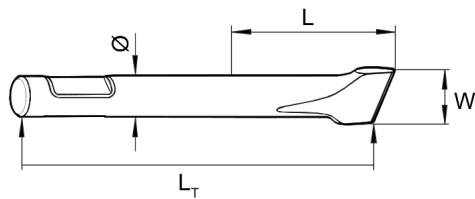
$\varnothing=120$ mm, $L=625$ mm, $L_T=1080$ mm, $Wt=85.6$ kg
 $\varnothing=4.72$ inch, $L=25$ inch, $L_T=42.52$, $Wt=188.7$ lb



$\varnothing=120$ mm, $W=120$ mm, $L=625$ mm, $L_T=1080$ mm, $Wt=88.6$ kg
 $\varnothing=4.72$ inch, $W=4.72$ inch, $L=25$ inch, $L_T=42.52$, $Wt=195.3$ lb



$\varnothing=120$ mm, $L=625$ mm, $L_T=1080$ mm, $Wt=93.4$ kg
 $\varnothing=4.72$ inch, $L=25$ inch, $L_T=42.52$, $Wt=205.9$ lb



Item	Part No.	Name	Qty	L
1	3363120355	MOIL POINT	1	
2	3363120148	CHISEL (cross)	1	
3	3363120149	BLUNT TOOL	1	

Any unauthorized use or copying of the contents or any part thereof is prohibited.
This applies in particular to trademarks, model denominations, part numbers, and drawings.