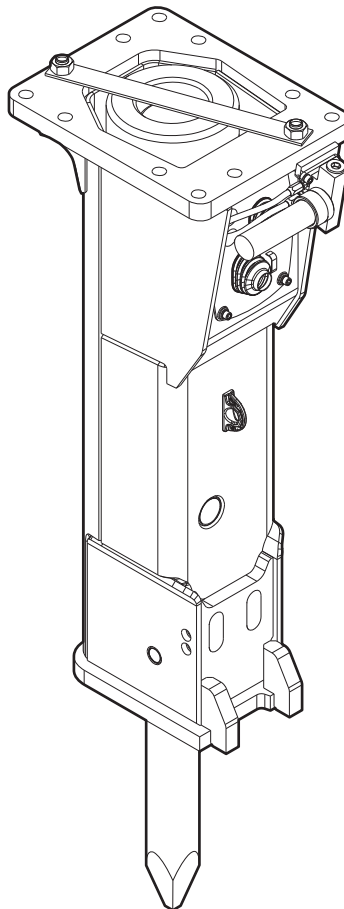


# EC 120T CL

---

## Spare parts list Hydraulic breakers

EC 120T CL s/n DEQ181878 - DEQ250046



# General information

This spare parts list applies to the following:

Part number	Description
3363115893	Hydraulic breaker EC 120T CL with ContiLube™ II
3363124817	Hydraulic breaker EC 120T CL with ContiLube™ II and HATCON (3G)
3363126895	Hydraulic breaker EC 120T CL with ContiLube™ II and HATCON (LTE)

Use only authorized parts. Any damage or malfunction caused by the use of unauthorized parts is not covered by Warranty or Product Liability. Any unauthorized use or copying of the contents or any part thereof is prohibited. This applies in particular to trademarks, model denominations, part numbers, and drawings.

## Instructions for use

This spare parts list contains no safety regulations and is merely intended to assist in the ordering of spare parts.

For information about operating, servicing, or repairing, the relevant Safety and operating instructions must be consulted at all costs.

Please observe the safety instructions listed in the relevant Safety and operating instructions!

## Instructions for ordering

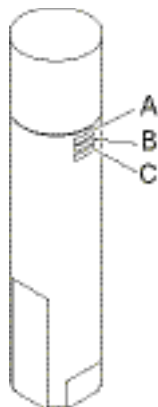
It is essential to indicate the serial number of the hydraulic attachment when ordering spare parts!

Please note the full identification number of your hydraulic attachment.

The code can be found on the main body.

Determine the quantity of individual parts which are required and need to be ordered. The order must indicate the following details:

- full identification code of the hydraulic attachment
- required quantity
- part number



- A. Type
- B. Serial number
- C. Main body number

**Service, repair and wear part kits**

Label kit ..... 1  
Kit list ..... 3

**Mechanical**

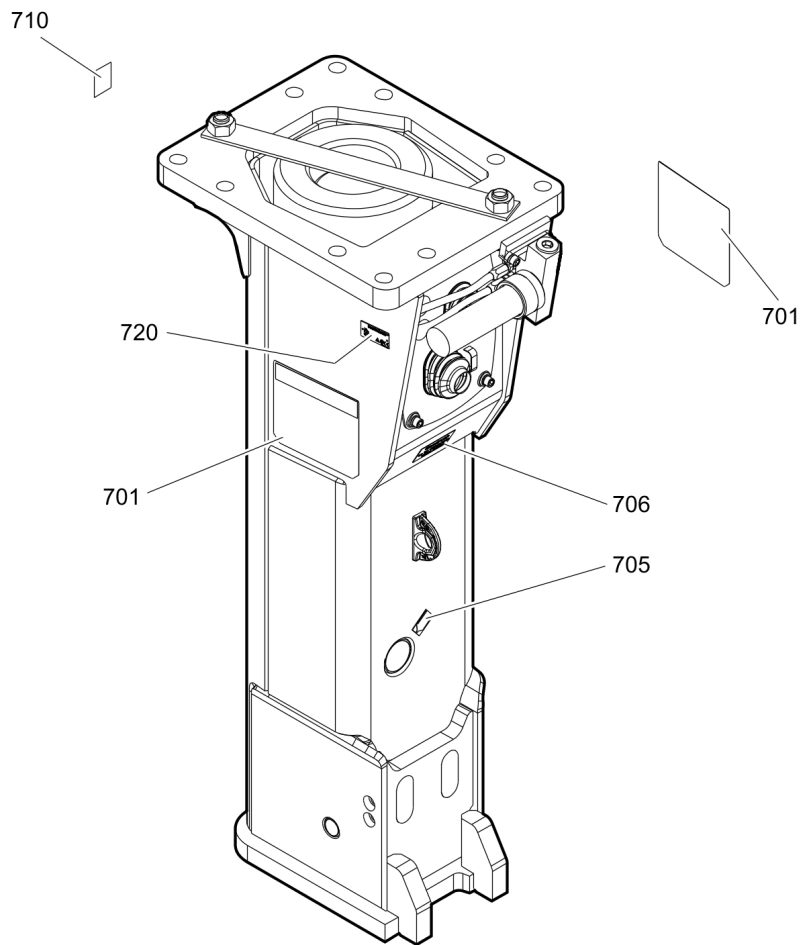
Hydraulic breaker ..... 5  
Percussion unit part 1: cover ..... 7  
Percussion unit part 2: main body complete ..... 9  
Connecting parts for automatic lubrication system ..... 11  
HATCON ..... 13  
Optional parts ..... 15  
Tightening torques ..... 17  
Dimensions ..... 19

**Options / accessories**

Hydraulic hoses ..... 20  
Optional equipment ..... 23  
Working tools ..... 25

Service, repair and wear part kits Label kit

700			
701	705	706	710



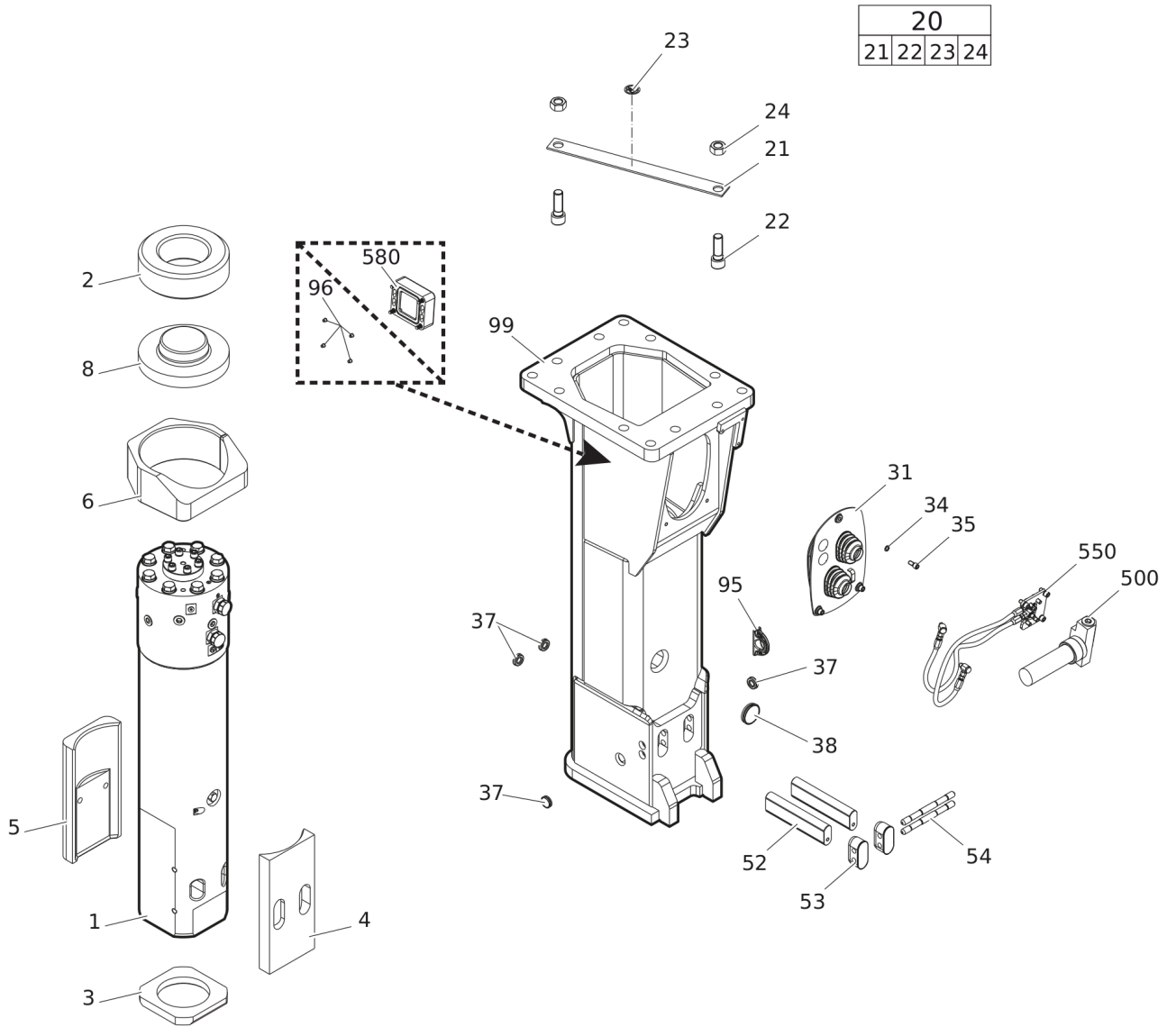
Item	Part No.	Name	Qty	L
700(701-710)	3363121468	Label kit	1	
701		Label "EC 120 Epiroc"	2	
705		LABEL - LUBRICATING SYMBOL	1	
706		GAS PRESSURE LABEL	2	
710		SOUND POWER LABEL	1	
720		NAME PLATE - Consult the authorized Customer Center/Dealer in your area.	1	

Service, repair and wear part kits Kit list

NO EXPLODED VIEW  
AVAILABLE  
FOR THIS BOM

Item	Part No.	Name	Qty	L
KIT	3363117266	Seal kit	1	
101	3363110041	O-ring	2	
107	3360314495	O-ring	2	
160	3360314551	O-ring	2	
182	3360478426	THREADED PLUG	1	
183	3360175125	O-RING	1	
201	3363109513	Seal	1	
202	3363109515	Back-up ring	1	
203	3363066654	Seal	1	
204	3363110043	Seal	6	
302	3363110075	Seal	1	
304	3363066656	Wiper	1	
305	3362267582	Stircomatic	1	
306	3362267583	SEAL	2	
307	3362267588	Seal	8	
308	3363110076	O-ring	2	
KIT	3363091732	SEAL KIT for swivel joint for automatic lubrication system	1	

Mechanical Hydraulic breaker



Item	Part No.	Name	Qty	L
1		Percussion unit	1	A
2	3363104967	Elastic pad	1	
3	3363122763	Shock absorber	1	
4	3363115023	Guide plate	1	
5	3363115910	Guide plate	1	
6	3363115912	Guide ring	1	
8	3363104979	Cap	1	
20(21-24)	3363083416	Transport safety device complete	1	
21		Transport safety device	1	
22	3360026883	Allen screw	2	
23	3363091872	LABEL TRANSPORT SAFETY DEVICE	1	
24	3360103254	Nut	2	
31	3363115905	Cover	1	
34	3361850596	PAIR OF LOCK WASHERS	3	
35	3360103750	ALLEN SCREW	3	
37	3362267897	Plug	4	
38	3362267893	Plug	1	
52	3363115024	Retainer bar	2	
53	3363114673	Plug	2	
54	3363115025	Bolt	2	
95	3363111993	Lifting eye	1	B
96	3315439145	PROTECTIVE PLUG HATCON	4	C
99	3363115925	Breaker box	1	D
500	3363067123	AUTOMATIC LUBRICATION SYSTEM	1	
550		Connecting parts	1	A
580		HATCON	1	E

Comments for Page: Hydraulic breaker

(L)OCAL REMARKS

A | see separate chapter

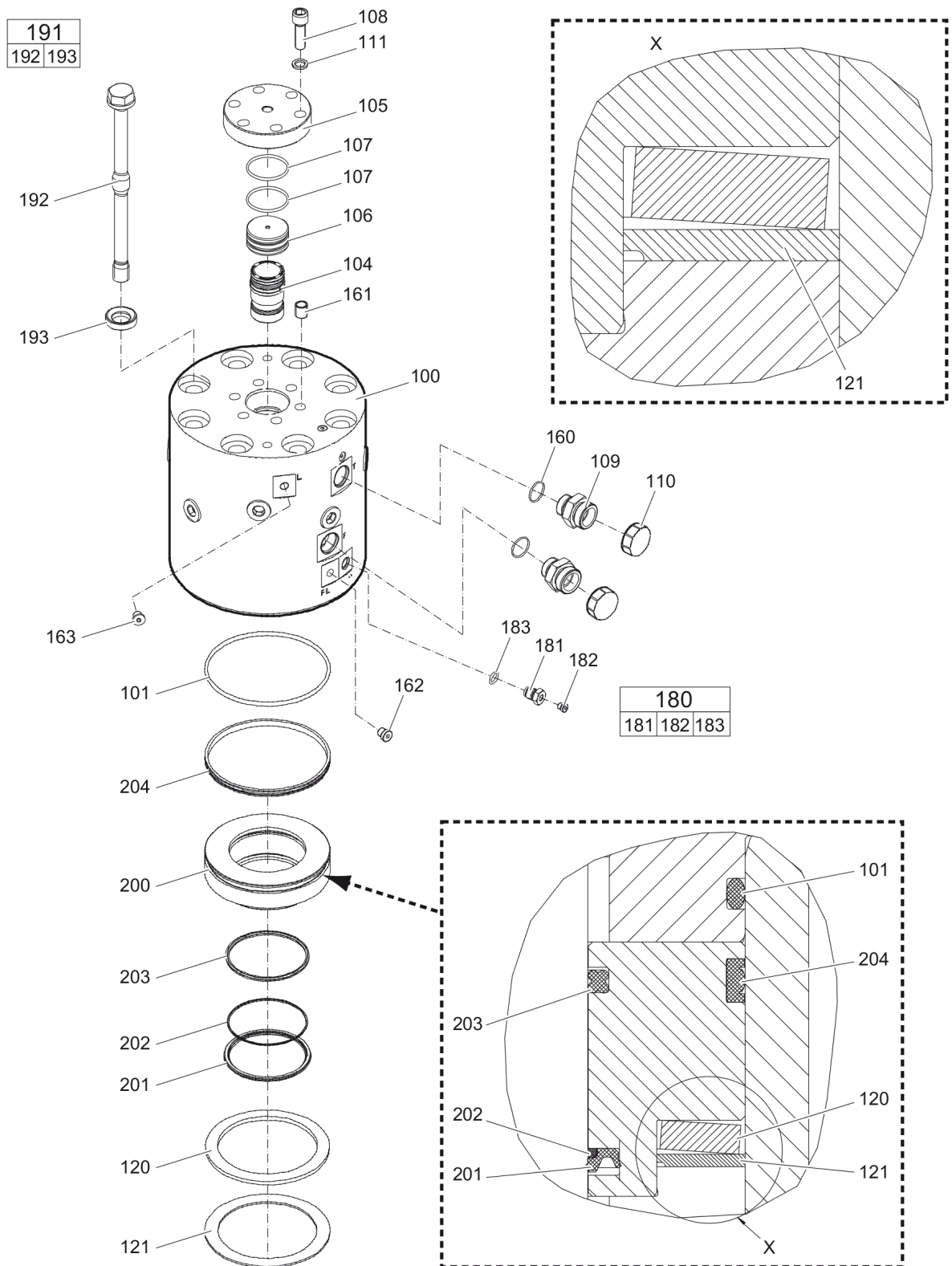
B | professional welding process necessary

C | only for hydraulic breakers without HATCON

D | with item 95 and 96

E | only for hydraulic breakers with HATCON / see separate chapter

Mechanical Percussion unit part 1: cover



Item	Part No.	Name	Qty	L
100	3363110073	Cover	1	A
101	3363110041	O-ring	1	
104	3363109491	Main control valve	1	
105	3363109493	Cover	1	
106	3363119841	Cover	1	
107	3360314495	O-ring	2	
108	3363083725	Allen screw	6	
109	3360995665	Fitting	2	B
110	3361353488	Protective cap	2	
111	3361333703	PAIR OF LOCK WASHERS	6	
120	3363110040	Plate spring	1	
121	3363109489	Disk	1	C
160	3360314551	O-ring	2	
161	3361031915	Threaded insert	6	
162	3363066963	PLUG	1	
163	3360478439	THREADED PLUG	1	
180(181-183)	3363087286	FILLING VALVE, complete	1	
181		FILLING VALVE	1	
182	3360478426	THREADED PLUG	1	
183	3360175125	O-RING	1	
191(192-193)	3363110068	Bolt complete	8	
192		Bolt	1	
193	3363109487	Washer	1	
200	3363109483	Seal bush	1	
201	3363109513	Seal	1	
202	3363109515	Back-up ring	1	
203	3363066654	Seal	1	
204	3363110043	Seal	1	

Comments for Page: Percussion unit part 1: cover

(L)OCAL REMARKS

A | with item 161 - 163

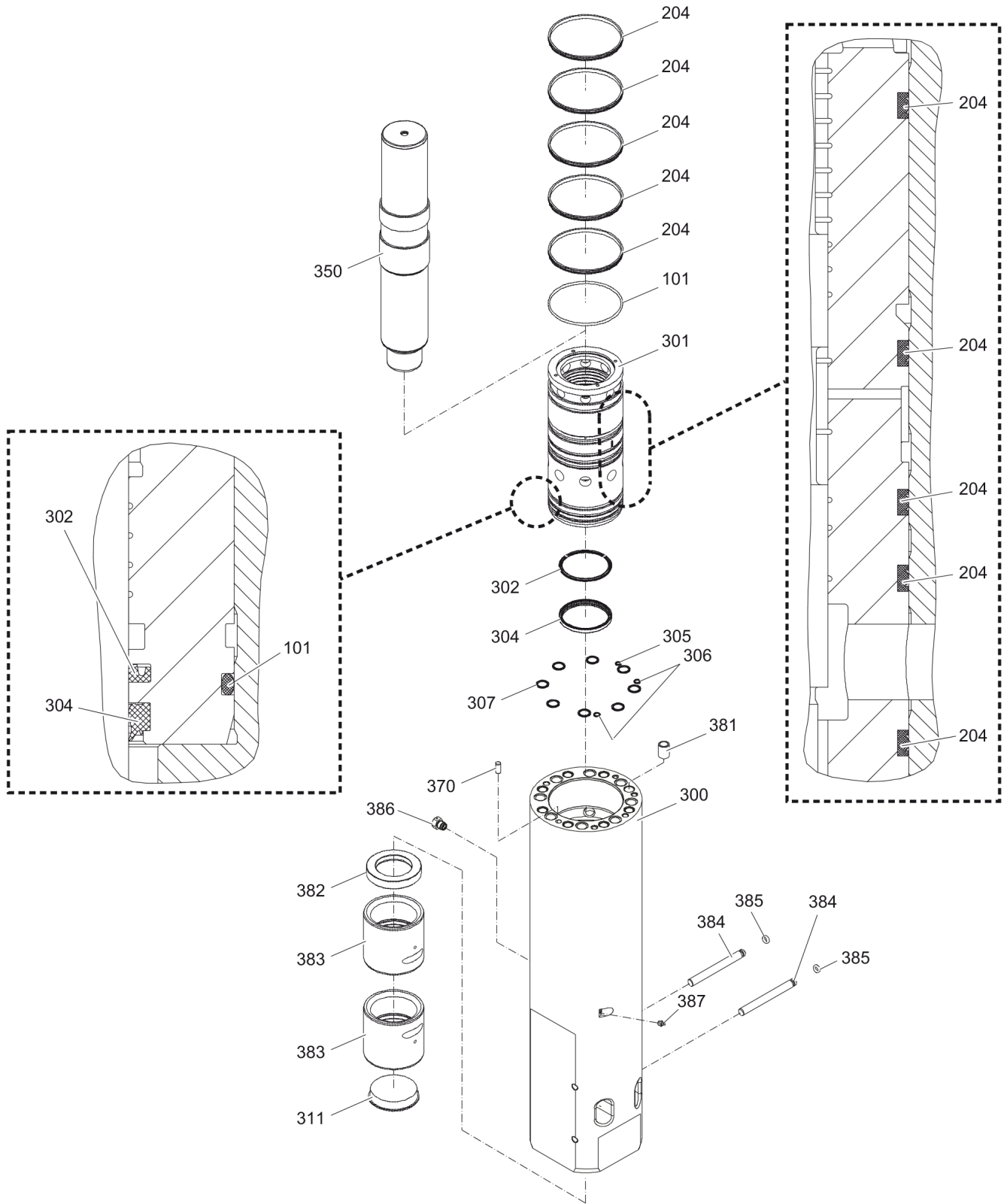
B | with item 160

C | observe mounting direction

Refer to the DocMine web page for most up-to-date information. The printed information might be outdated.

Fri Oct 13 09:57:31 UTC 2023

Mechanical Percussion unit part 2: main body complete



Refer to the DocMine web page for most up-to-date information. The printed information might be outdated.  
Fri Oct 13 09:57:32 UTC 2023

Item	Part No.	Name	Qty	L
101	3363110041	O-ring	1	
204	3363110043	Seal	5	
300	3363114970	Main body	1	A
301	3363117265	Cylinder bush	1	B
302	3363110075	Seal	1	
304	3363066656	Wiper	1	
305	3362267582	Stircomatic	1	
306	3362267583	SEAL	2	
307	3362267588	Seal	8	
311	3363031715	PROTECTIVE CAP	1	
350	3363110066	Percussion piston	1	
370	3360106784	Parallel pin 14X28	1	
381	3363085319	Threaded insert	8	
382	3363109497	Impact ring	1	
383	3363109499	Wear bush	2	
384	3363109523	Bolt	2	
385	3363110076	O-ring	2	
386	3363109435	NON RETURN VALVE	1	
387	3360433774	GREASE NIPPLE	1	

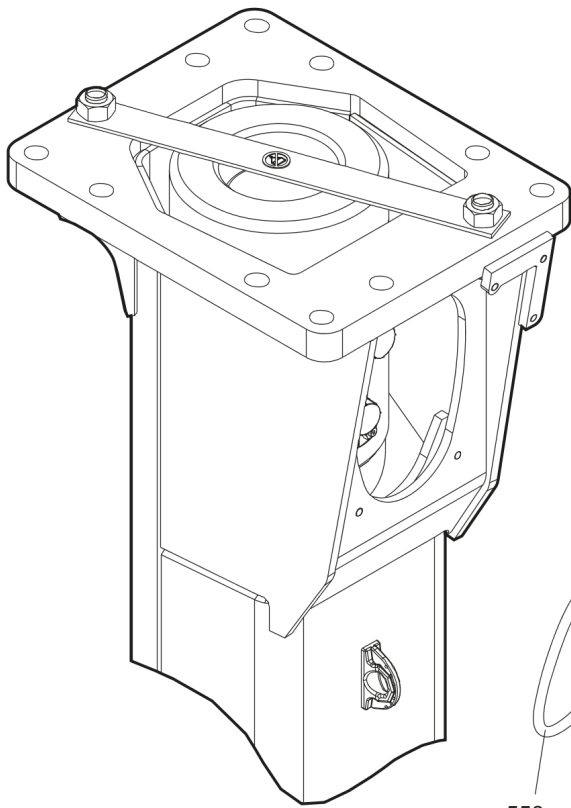
Comments for Page: Percussion unit part 2: main body complete

(L)OCAL REMARKS

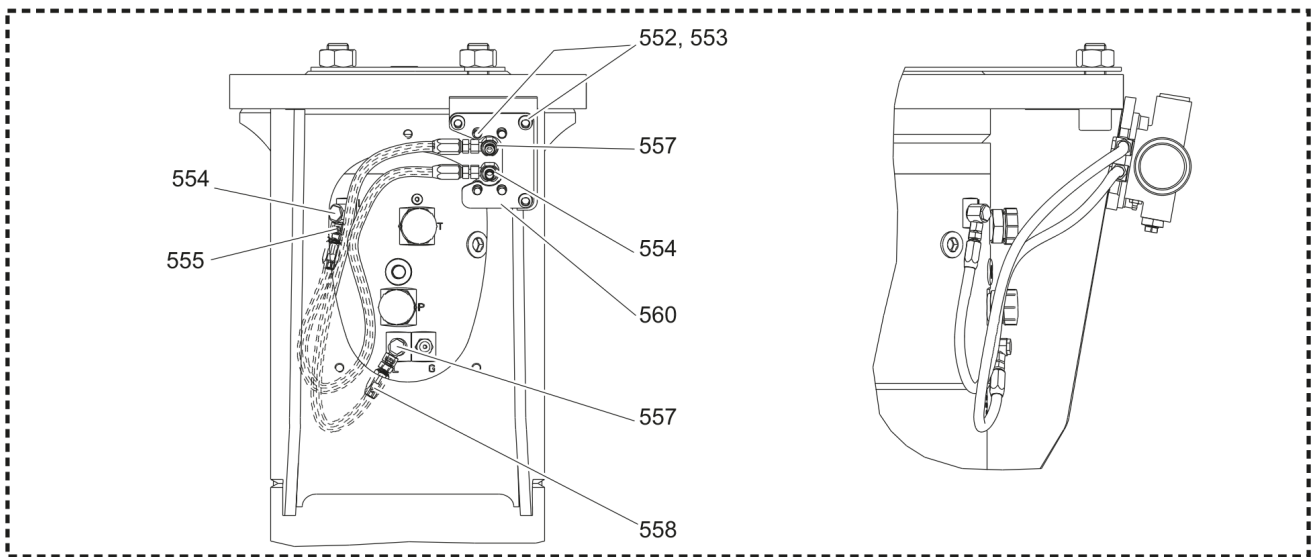
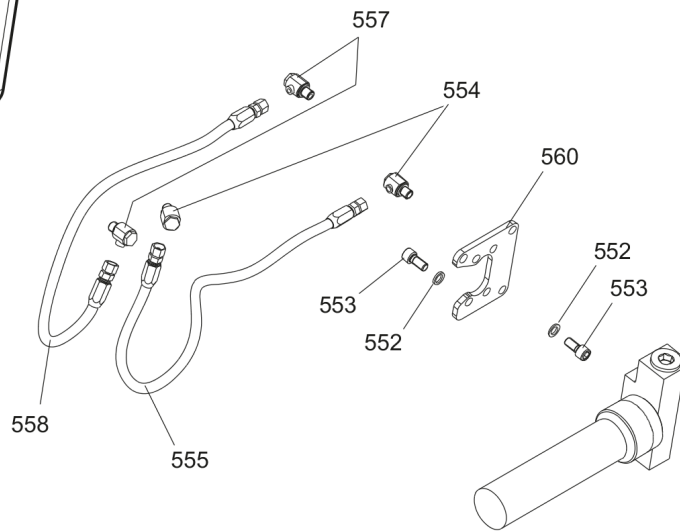
A | with item 381 - 387

B | with item 304

Mechanical Connecting parts for automatic lubrication system



550						
552	553	554	555	557	558	560



Item	Part No.	Name	Qty	L
550(552-560)		Connecting parts	1	
552	3361850596	PAIR OF LOCK WASHERS	7	
553	3360103750	ALLEN SCREW	7	A
554	3363066233	FITTING	2	B
555	3363083873	Hydraulic hose	1	C
557	3363066234	FITTING	2	D
558	3363087394	Hydraulic hose	1	E
560	3363115928	Support	1	

Comments for Page: Connecting parts for automatic lubrication system

(L)OCAL REMARKS

A | secure all 4 allen screws with Loctite 243 screwed in the ContiLube® II

B | secure with Loctite 243

C | Grease line

secure with Loctite 243

Route the hydraulic hoses as shown on the drawing. It must be ensured that the hydraulic hoses can move freely and are not in contact at any point.

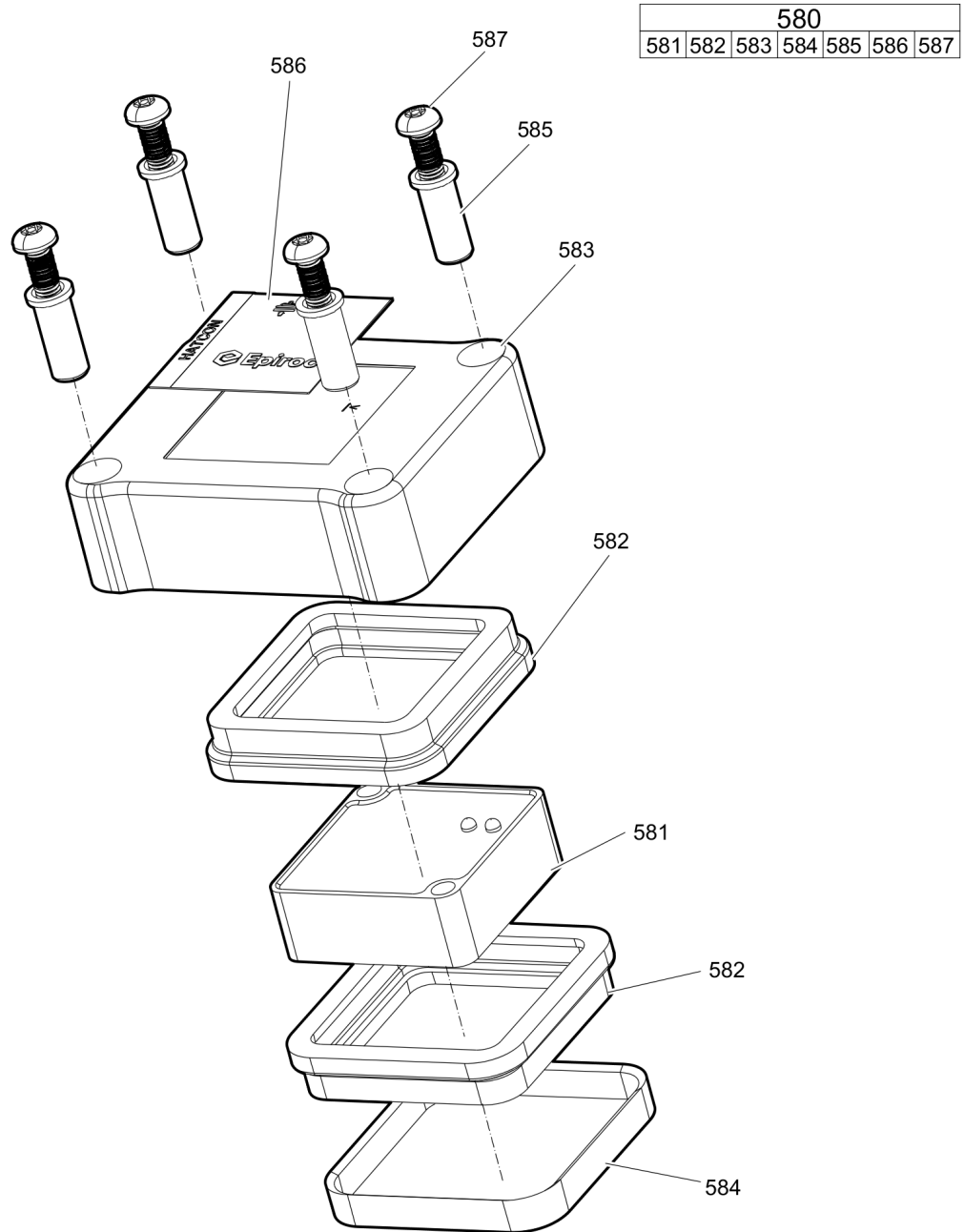
D | secure with Loctite 243

E | Oil line

secure with Loctite 243

Route the hydraulic hoses as shown on the drawing. It must be ensured that the hydraulic hoses can move freely and are not in contact at any point.

Mechanical HATCON

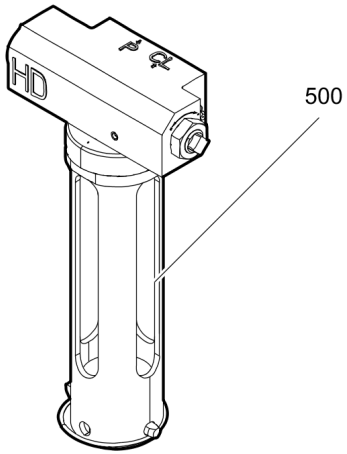


Item	Part No.	Name	Qty	L
580(581-587)		HATCON	1	A
581		TRACKING MODULE HATCON	1	
582	3315439130	DAMPER HATCON	2	
583	3315439110	HOUSING TYPE 1 HATCON	1	
584	3315439140	LOCK RING HATCON	1	
585	3315439120	SLEEVE HATCON	4	
586	3315439100	PRODUCT LABEL HATCON	1	
587	3315442600	SCREW HATCON	4	

Comments for Page: HATCON

A | part number see chapter "Optional equipment"

Mechanical Optional parts



Item	Part No.	Name	Qty	L
500	3363117931	AUTOMATIC LUBRICATION SYSTEM HD	1	

Mechanical Tightening torques

NO EXPLODED VIEW  
AVAILABLE  
FOR THIS BOM

Item	Part No.	Name	Qty	L
35	-	Allen screw - 10 Nm (7 ft lbf)	-	A
108	-	ALLEN SCREW - 200 Nm (148 ft lbf)	-	B
109	-	Fitting - 330 Nm (243 ft lbf)	-	C
181	-	FILLING VALVE - 130 Nm (96 ft lbf)	-	D
182	-	THREADED PLUG - 20 Nm (15 ft lbf)	-	E
192	-	BOLT	-	F
386	-	NON-RETURN VALVE - 200 Nm (148 ft lbf)	-	G
553	-	ALLEN SCREW - 85 Nm (63 ft lbf)	-	H
554	-	FITTING - 45 Nm (33 ft lbf)	-	I
555	-	Hydraulic hose, grease line - 16 Nm (12 ft lbf)	-	J
557	-	FITTING - 55 Nm (41 ft lbf)	-	K
558	-	Hydraulic hose, oil line - 42 Nm (31 ft lbf)	-	L
587	-	SCREW HATCON - 22 Nm (16 ft lbf)	-	M

Comments for Page: Tightening torques

(L)OCAL REMARKS

A | Allen key size 10

B | Allen key size 14

C | Open-end wrench size 46

D | Socket spanner size 22

E | Allen key size 5

F | Torque wrench or Power wrench size 36

1. Pretighten the bolts to 80 Nm (59 ft lbf), proceeding in a crosswise fashion,
2. again pretighten the bolts to 80 Nm (59 ft lbf), proceeding in a crosswise fashion,
3. then tighten each bolt through 60° (1 sides of hexagonal head) in a crosswise fashion,
4. finally tighten each bolt again through 90° (1 ½ sides of hexagonal head) in a crosswise fashion.

G | Socket wrench size 27

H | Allen key size 10

I | Open-end wrench size 19, 22, 17

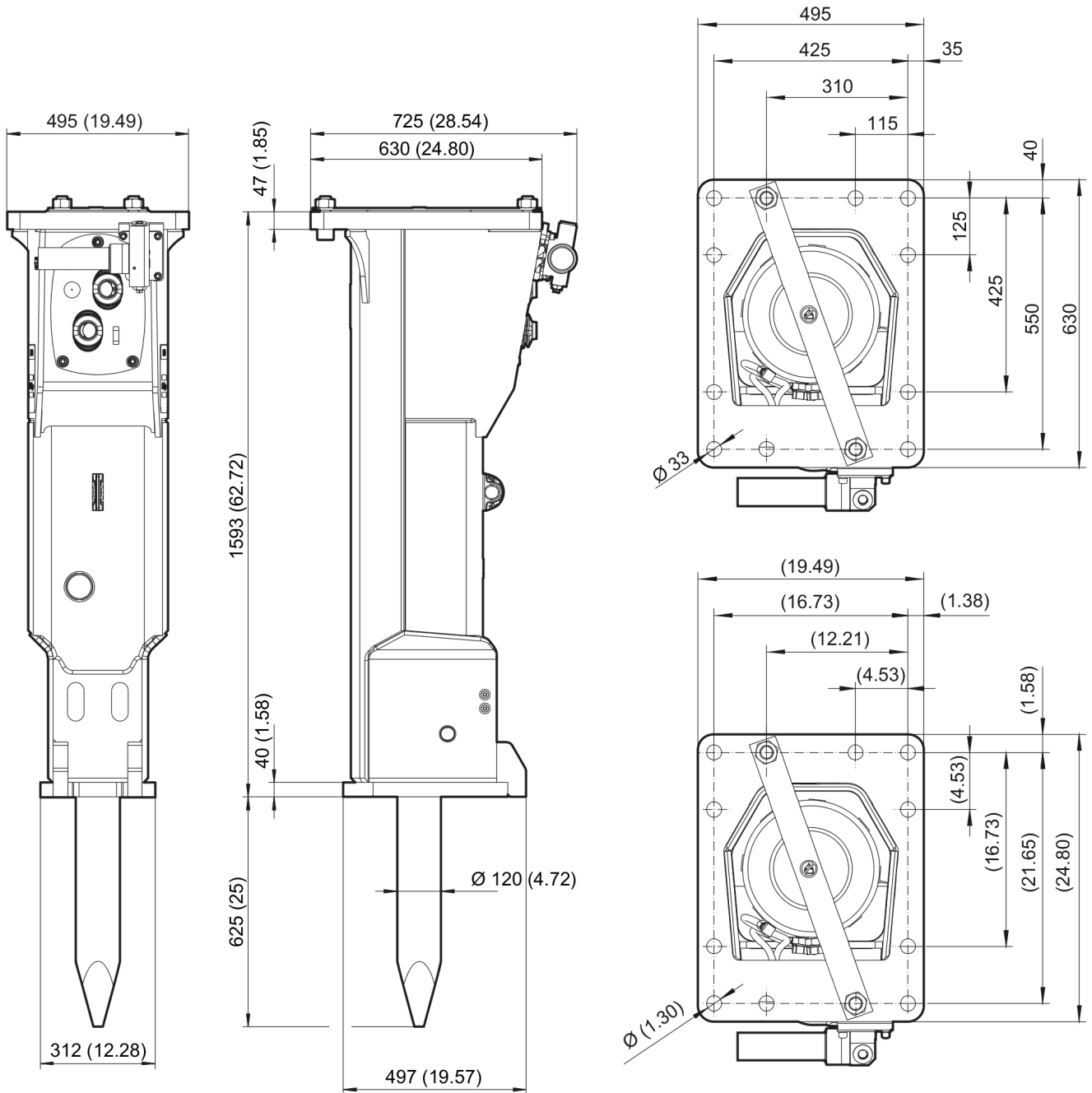
J | Open-end wrench size 17

K | Open-end wrench size 19, 19, 22

L | Open-end wrench size 19

M | Security bit HATCON

Mechanical Dimensions



Refer to the DocMine web page for most up-to-date information. The printed information might be outdated.  
Fri Oct 13 09:57:37 UTC 2023

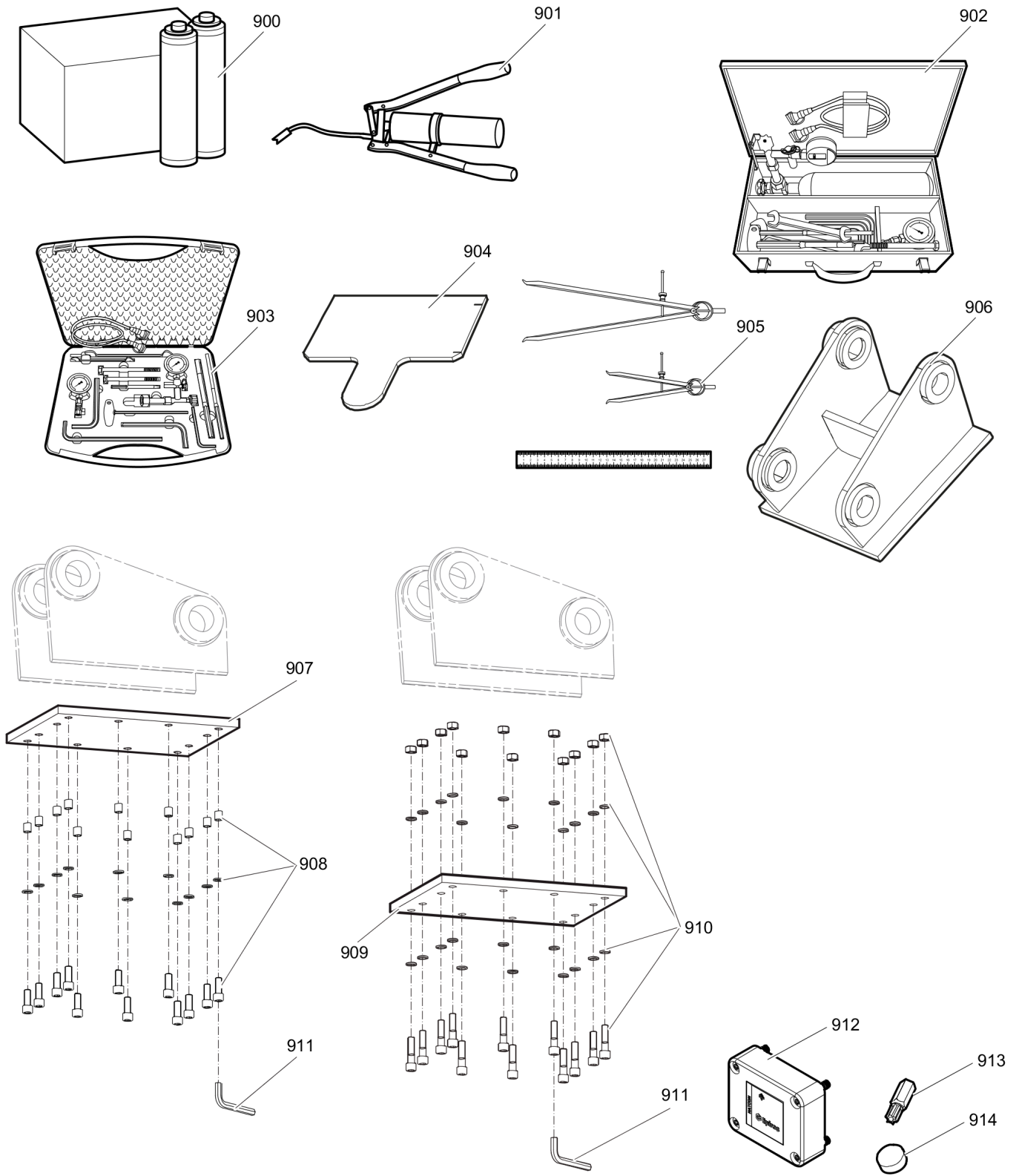
This page intentionally left blank

Options / accessories Hydraulic hoses

NO EXPLODED VIEW  
AVAILABLE  
FOR THIS BOM

Item	Part No.	Name	Qty	L
-	3360992340	HYDRAULIC HOSE, I.D. 25 (1"), both ends M42 x 2 conical seal 24°, length 2300 mm (91 in.)	2	
-	3363115797	HYDRAULIC HOSE, I.D. 25 (1"), both ends M42 x 2 conical seal 24°, length 2600 mm (102 in.)	2	
-	3361853859	HYDRAULIC HOSE, I.D. 25 (1"), both ends M42 x 2 conical seal 24°, length 2800 mm (110 in.)	2	

Options / accessories Optional equipment



Refer to the DocMine web page for most up-to-date information. The printed information might be outdated.  
Fri Oct 13 09:57:39 UTC 2023

Item	Part No.	Name	Qty	L
900	3363122356	BIO CHISEL PASTE CARTRIDGE, 12 x 550 g (1.2 lbs)	1	
900	3363091200	CHISEL PASTE CARTRIDGE, 12 x 500 g (1.1 lbs)	1	
901	3363034567	GREASE PUMP	1	
902	3363491004	CHARGING BOX with nitrogen cylinder, 2 l, 0.43 gal (0.53 US gal)	1	
903	3363117786	CHARGING BOX without nitrogen cylinder	1	
904	3363068255	TEST GAUGE LOWER WEAR BUSH	1	
905	3363094952	INSIDE CALLIPERS UPPER WEAR BUSH	1	
906		ADAPTER PLATE matching the carrier. Consult the authorized Customer Center/Dealer in your area.	1	
907	3363099799	BASE PLATE WITH THREADED INSERTS	1	
908	3363087303	BOLT KIT	1	
909	3363100697	BASE PLATE WITH THROUGH BORINGS	1	
910	3363094575	BOLT KIT	1	
911	3360209253	ALLEN KEY (19 mm)	1	
912	3315442500	HATCON KIT 1 (3G)	1	A
912	3315442520	HATCON KIT 1 (LTE)	1	A
913	3315439105	SECURITY BIT HATCON	1	
914	3315439106	MAGNET HATCON	1	

Comments for Page: Optional equipment

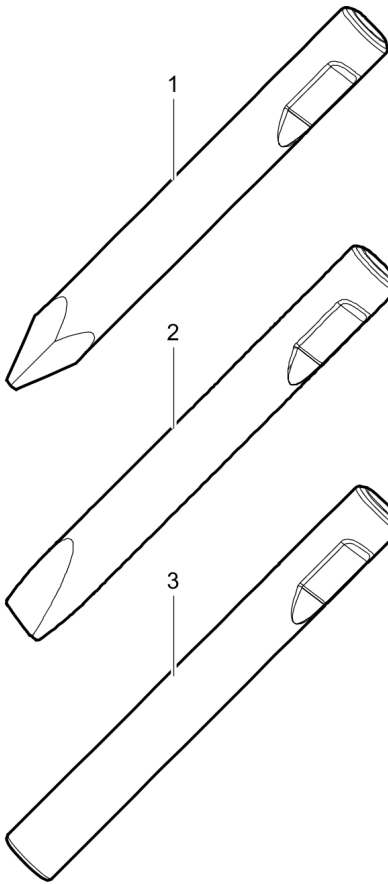
A | with item 913 and 914

Hydraulic breakers are factory equipped with threads for attaching Retrofit kit HATCON

from s/n DEQ201131 - (EC 120T)

from s/n DEQ201133 - (EC 120T CL)

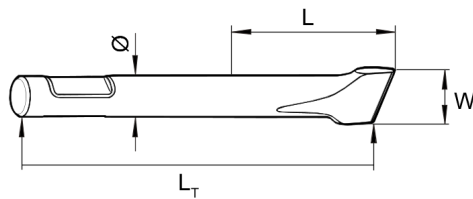
Options / accessories Working tools



Ø=120 mm, L=625 mm, L<sub>T</sub>=1080 mm, Wt=85.6 kg  
 Ø=4.72 inch, L=25 inch, L<sub>T</sub>=42.52, Wt=188.7 lb

Ø=120 mm, W=120 mm, L=625 mm, L<sub>T</sub>=1080 mm, Wt=88.6 kg  
 Ø=4.72 inch, W=4.72 inch, L=25 inch, L<sub>T</sub>=42.52, Wt=195.3 lb

Ø=120 mm, L=625 mm, L<sub>T</sub>=1080 mm, Wt=93.4 kg  
 Ø=4.72 inch, L=25 inch, L<sub>T</sub>=42.52, Wt=205.9 lb



Item	Part No.	Name	Qty	L
1	3363120355	Moil point	1	
2	3363120148	Chisel (cross)	1	
3	3363120149	Blunt tool	1	





Any unauthorized use or copying of the contents or any part thereof is prohibited.  
This applies in particular to trademarks, model denominations, part numbers, and drawings.