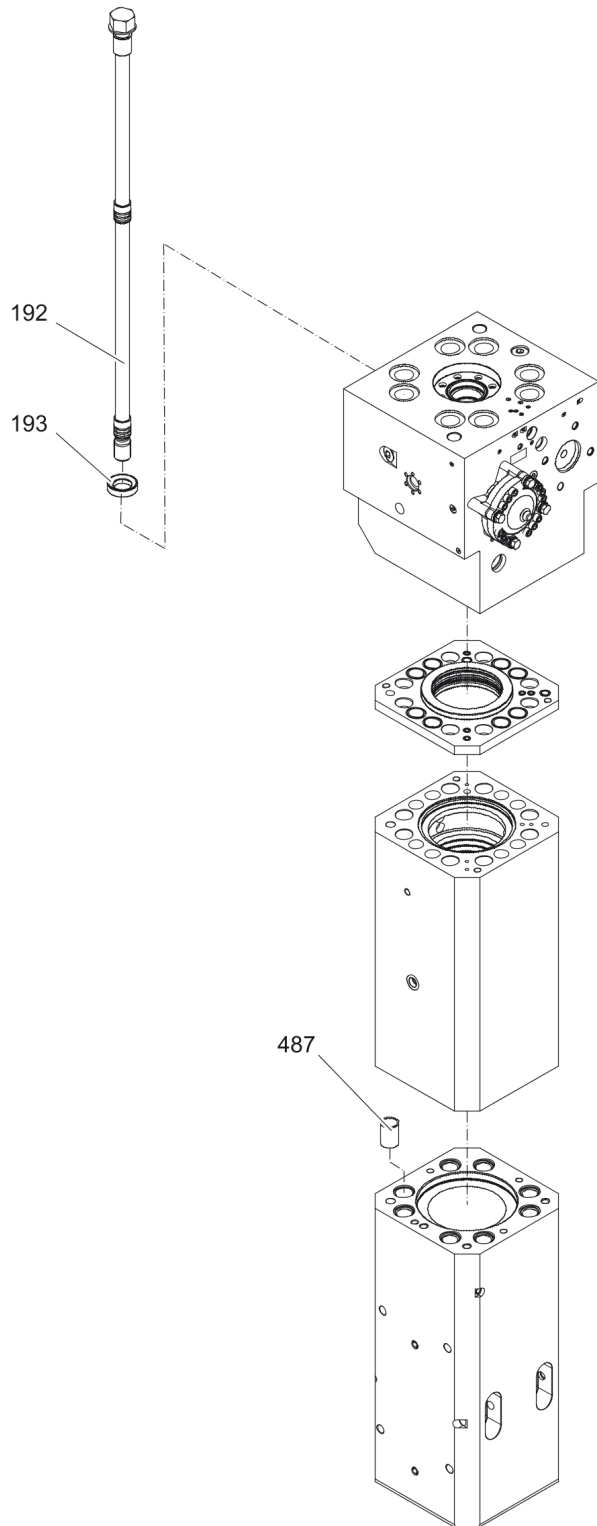


## Maintenance kit Tensioning bolts

Tensioning bolt kit 3363098329



Item	Part No.	Name	Qty	L
192	3363100011	Tensioning bolt	4	
193	3363093653	Washer	4	
487	3363085321	Threaded insert	4	

Comments for Page: Tensioning bolt kit 3363098329

You need Anti-Seize agent when fitting tensioning bolts. You have to order it separately.

Anti-Seize 120 g, part number 3363094300

Or buy it locally according to the following specification:

coefficient of friction 0.14  $\mu$

coefficient of friction thread 0.13  $\mu$

coefficient of friction on upside down 0.15  $\mu$

This document contains no safety instructions. For information on operating, servicing or repairing the hydraulic attachment, the relevant Safety and operating instructions must be consulted at all costs. Please observe the safety instructions listed in the relevant Safety and operating instructions.

Any unauthorized use or copying of the contents or any part thereof is prohibited.  
This applies in particular to trademarks, model denominations, part numbers, and drawings.

© 2018 Construction Tools GmbH | No. 3390742701 | 2018-06-21