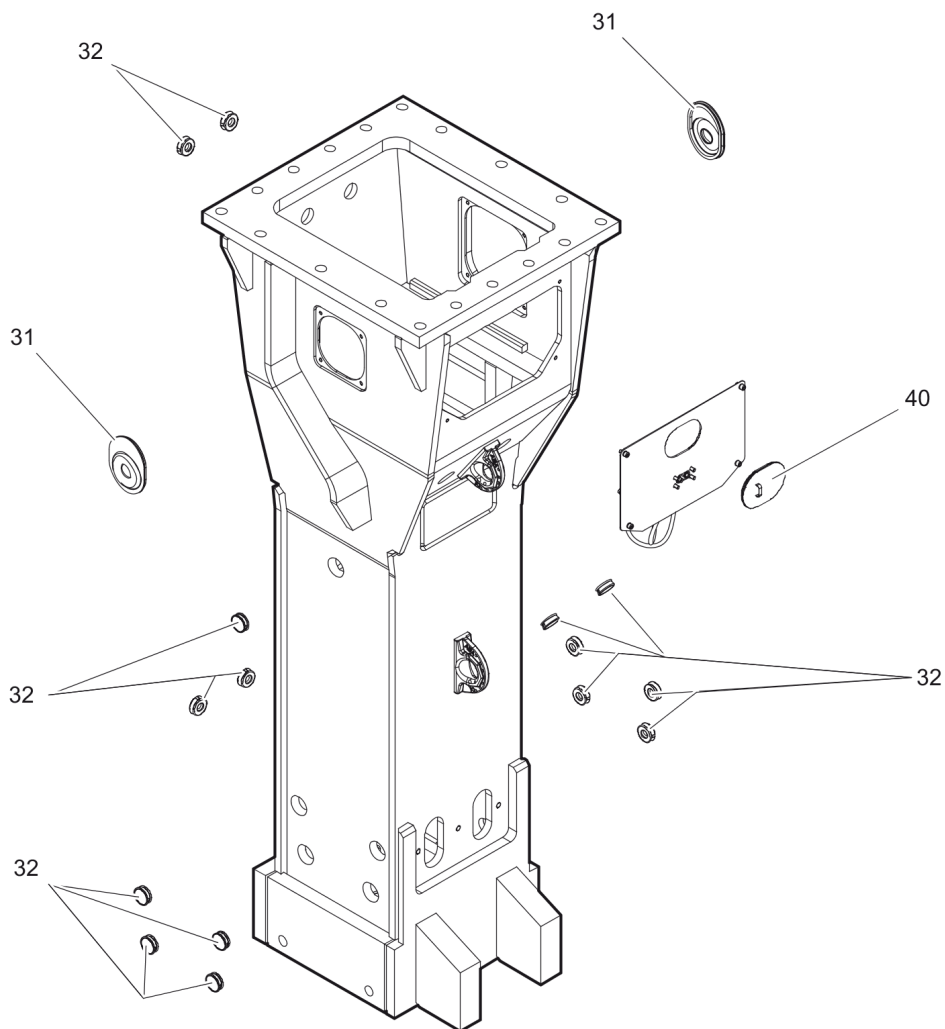


Maintenance kit Noise protection

	Valid from serial number	Valid to serial number
HB 10000 DP	DEQ121277	

Noise protection kit 3363113796



Item	Part No.	Name	Qty	L
31	3363031181	Cover	2	
32	3363086017	Plug	15	
40	3363092697	Cover	1	

Comments for Page: Noise protection kit 3363113796

This document contains no safety instructions. For information on operating, servicing or repairing the hydraulic attachment, the relevant Safety and operating instructions must be consulted at all costs. Please observe the safety instructions listed in the relevant Safety and operating instructions.

Any unauthorized use or copying of the contents or any part thereof is prohibited.
This applies in particular to trademarks, model denominations, part numbers, and drawings.

© 2018 Construction Tools GmbH | No. 3390760601 | 2018-06-22