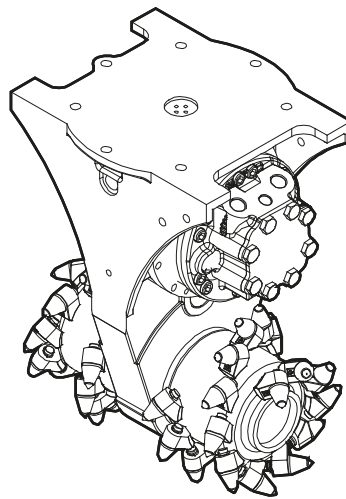


ER 40 X

Spare parts list Transverse Drum Cutters

ER 40 X s/n DGR043714 -



General information

This spare parts list applies to the following:

Description

ER 40 - 1 X

ER 40 - 2 X

Use only authorized parts. Any damage or malfunction caused by the use of unauthorized parts is not covered by Warranty or Product Liability. Any unauthorized use or copying of the contents or any part thereof is prohibited. This applies in particular to trademarks, model denominations, part numbers, and drawings.

Instructions for use

This spare parts list contains no safety regulations and is merely intended to assist in the ordering of spare parts.

For information about operating, servicing, or repairing, the relevant Safety and operating instructions must be consulted at all costs.

Please observe the safety instructions listed in the relevant Safety and operating instructions!

Service, repair and wear part kits

Label kit 1

Mechanical

Transverse Drum Cutter, part 13
Transverse Drum Cutter, part 26
Transverse Drum Cutter, part 39
Tightening torques 12
Dimensions 15

Options / accessories

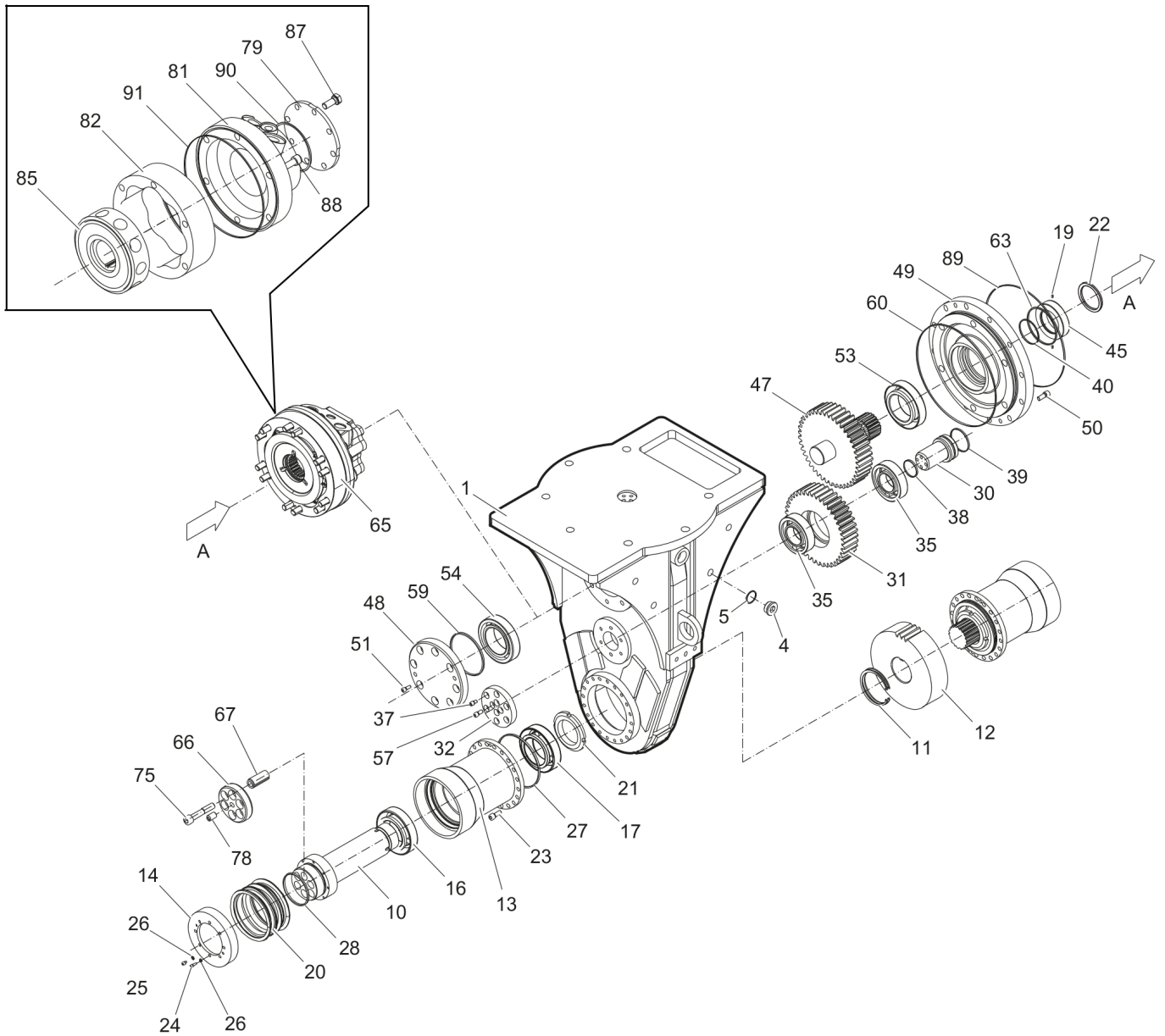
Picks and retainers kits 16
Optional equipment 19

Service, repair and wear part kits Label kit

NO EXPLODED VIEW
AVAILABLE
FOR THIS BOM

Item	Part No.	Name	Qty	L
KIT	3311004754	Label kit	1	

Mechanical Transverse Drum Cutter, part 1



Item	Part No.	Name	Qty	L
1	3311000309	Gear housing	1	
4	3311000631	Plug	2	
5	3311001071	Seal	2	
10	3311002296	Output shaft	2	
11	3311000560	Lock ring	2	
12	3311000311	Output cogwheel	1	
13	3311003146	Flange	2	
14	3311001240	Sealing cover	2	
16	3311001219	Tapered roller bearing	2	
17	3311000625	Tapered roller bearing	2	
19	3311000561	Fitting key	2	
20	3311001220	Seal	2	
21	3311000360	Shaft nut	2	
22	3311005773	Ring	1	
23	3311000562	Allen screw	48	
24	3311000563	Allen screw	16	
25	3311000564	Allen screw	4	
26	3311002978	Usit-ring	20	
27	3311000565	O-ring	2	
28	3311000735	O-ring	2	
30	3311000314	Bolt	1	
31	3311000315	Idle cogwheel	1	
32	3311002970	Cover (motor)	1	
35	3311000623	Cylindrical roller bearing	2	
37	3311000603	Allen screw	6	
38	3311000566	O-ring	1	
39	3311000567	O-ring	2	
40	3311000568	O-ring	1	
45	3311001121	Sealing	1	
47	3311000316	Spur gear drive	1	
48	3311002971	Cover	1	
49	3311001624	Flange (motor)	1	
50	3311000705	Allen screw	12	
51	3311000569	Allen screw	8	
53	3311000625	Tapered roller bearing	1	
54	3311000624	Tapered roller bearing	1	
57	3311003721	Allen screw	4	

Item	Part No.	Name	Qty	L
59	3311000570	O-ring	1	
60	3311000761	O-ring	1	
63	3311000725	Seal	1	
65	3311004171	Hydraulic motor	1	A
65	3311001166	Hydraulic motor	1	B
66	3311001248	Cover	2	
67	3311003168	Clamping sleeve	12	
75	3311001657	Allen screw	12	
78	3311004831	Threaded pin	2	
79	3311002874	Overpressure cover (motor)	1	
81	3311001097	Distribution housing (motor)	1	
82	3311004188	Cam ring	1	A
82	3311002040	Cam ring	1	B
85	3311001098	Cylinder block	1	
87	3311001575	Hexagon head screw	8	
88	3311001658	Allen screw	12	
89	3311001659	O-ring (Cam ring)	1	
90	3311003119	O-ring (Overpressure cover)	1	
91	3311003122	O-ring (Cam ring)	1	

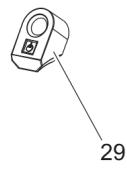
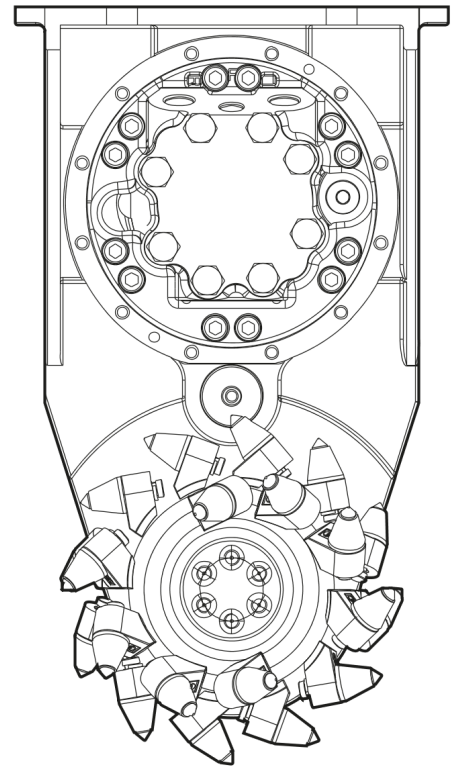
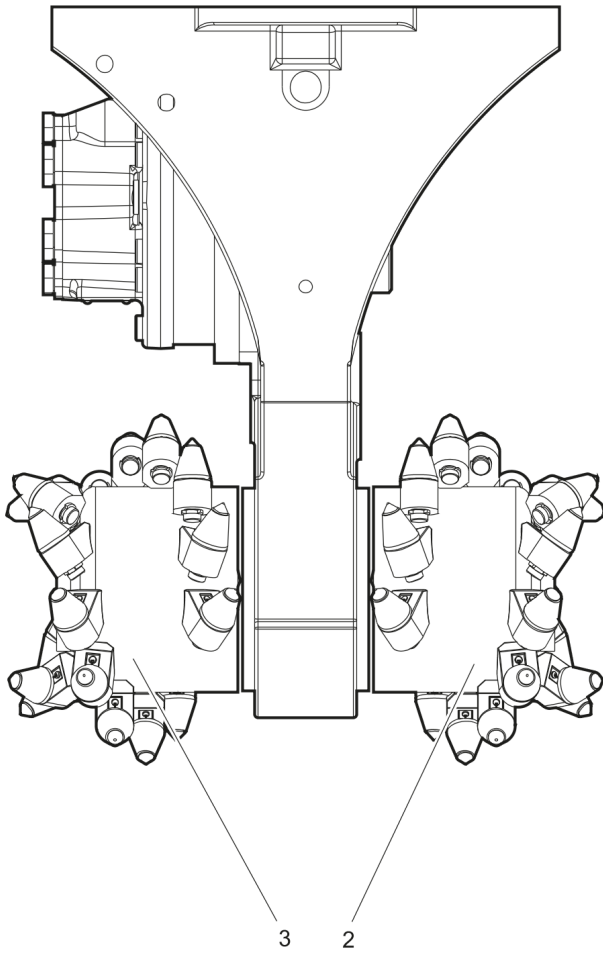
Comments for Page: Transverse Drum Cutter, part 1

A | ER 40 - 1 X

B | ER 40 - 2 X

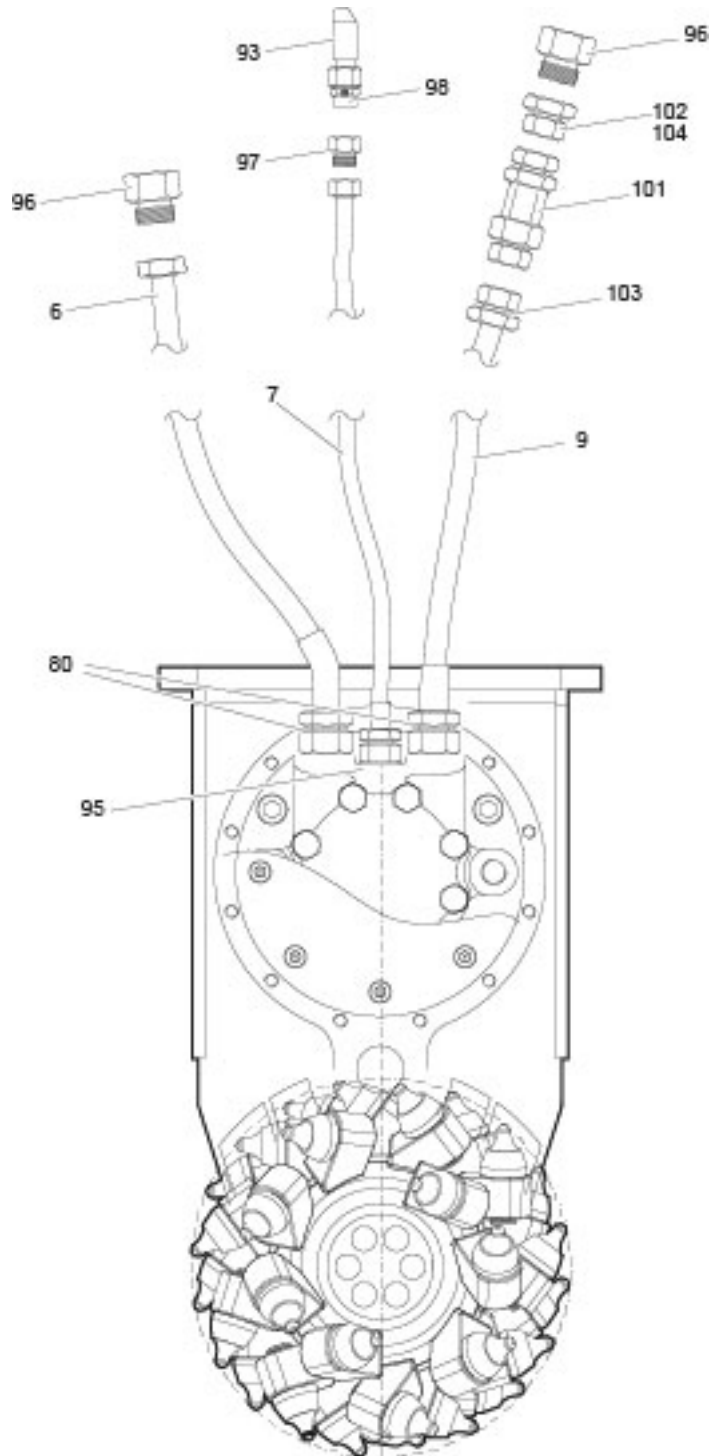
This page intentionally left blank

Mechanical Transverse Drum Cutter, part 2



Item	Part No.	Name	Qty	L
2	3311003148	Cutter drum (left)	1	
3	3311003149	Cutter drum (right/motor)	1	
29	3311000774	Pick box	40	

Mechanical Transverse Drum Cutter, part 3



Item	Part No.	Name	Qty	L
KIT	3311001172	Hose kit metric, 1 m (Standard)	1	
6	3311000090	Hydraulic hose	1	
7	3311000091	Hydraulic hose	1	
9	3311000090	Hydraulic hose	1	
80	3311001533	Fitting	2	
93	3311000094	Hydraulic hose	1	
95	3311001470	Fitting	1	
96	3311000299	Plug	2	
97	3311000072	Plug	1	
98	3311000071	Fitting	1	
101	3311000182	Check valve	1	
102	3311000184	Fitting	1	
103	3311000183	Fitting	1	
KIT	3311002315	Hose kit JIC, 1 m (Optional)	1	
6	3311003208	Hydraulic hose	1	
7	3311003124	Hydraulic hose	1	
9	3311003208	Hydraulic hose	1	
80	3311003209	Fitting	2	
93	3311003211	Hydraulic hose	1	
95	3311003210	Fitting	1	
96	3311002221	Plug	2	
97	3311002742	Plug	1	
98	3311002223	Fitting	1	
101	3311000182	Check valve	1	
102	3311002224	Fitting	1	
103	3311002225	Fitting	1	
KIT	3311004044	Hose kit BSP, 1 m (Optional)	1	
6	3311004035	Hydraulic hose	1	
7	3311004036	Hydraulic hose	1	
9	3311004035	Hydraulic hose	1	
80	3311001533	Fitting	2	
93	3311004045	Hydraulic hose	1	
95	3311001470	Fitting	1	
96	3311003878	Plug	3	
98	3311003880	Fitting	1	
101	3311000182	Check valve	1	
102	3311004037	Fitting	1	

Item	Part No.	Name	Qty	L
103	3311004038	Fitting	1	
104	0661100029	Sealing ring	1	

Comments for Page: Transverse Drum Cutter, part 3

(L)OCAL REMARKS

A | see chapter Options / accessories

This page intentionally left blank

Mechanical Tightening torques

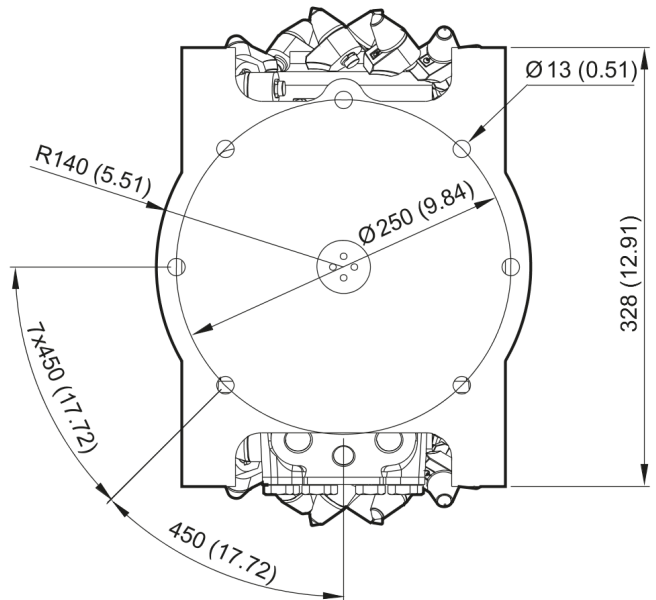
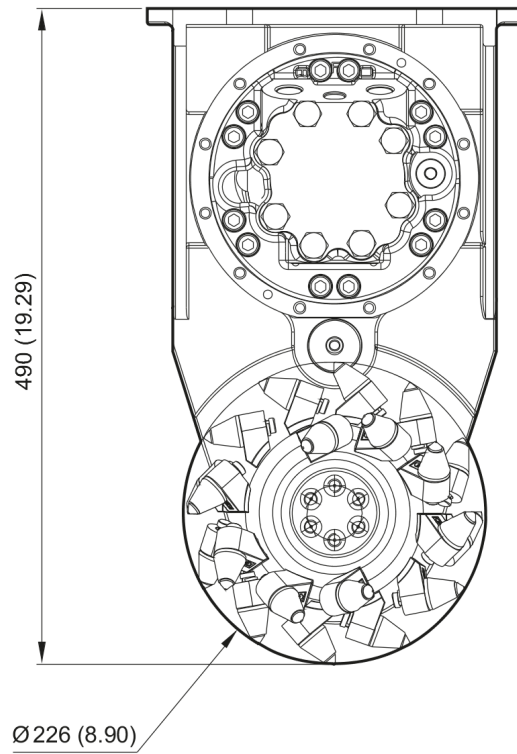
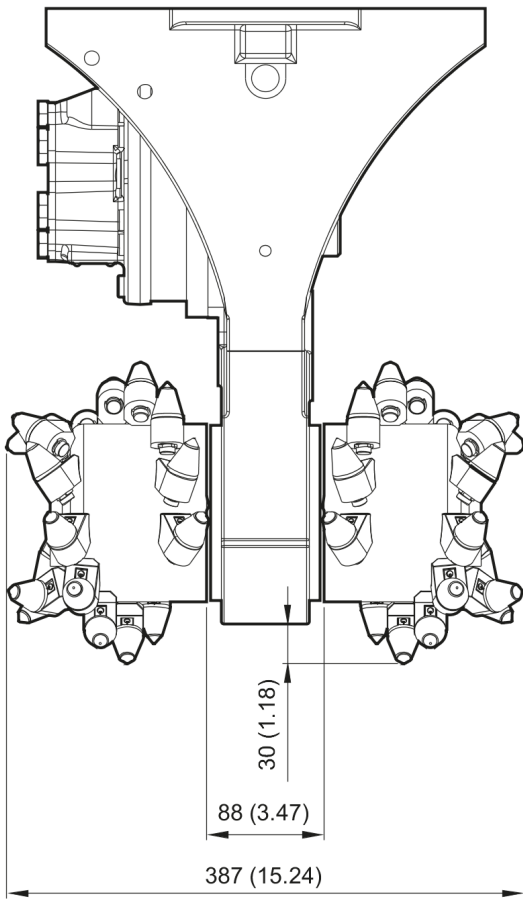
NO EXPLODED VIEW
AVAILABLE
FOR THIS BOM

Item	Part No.	Name	Qty	L
75	-	Allen screw - 60 Nm (44 ft lbf)	-	A

Comments for Page: Tightening torques

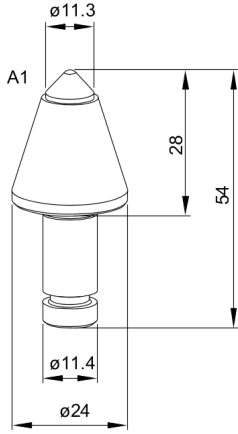
A | Allen key size 8

Mechanical Dimensions



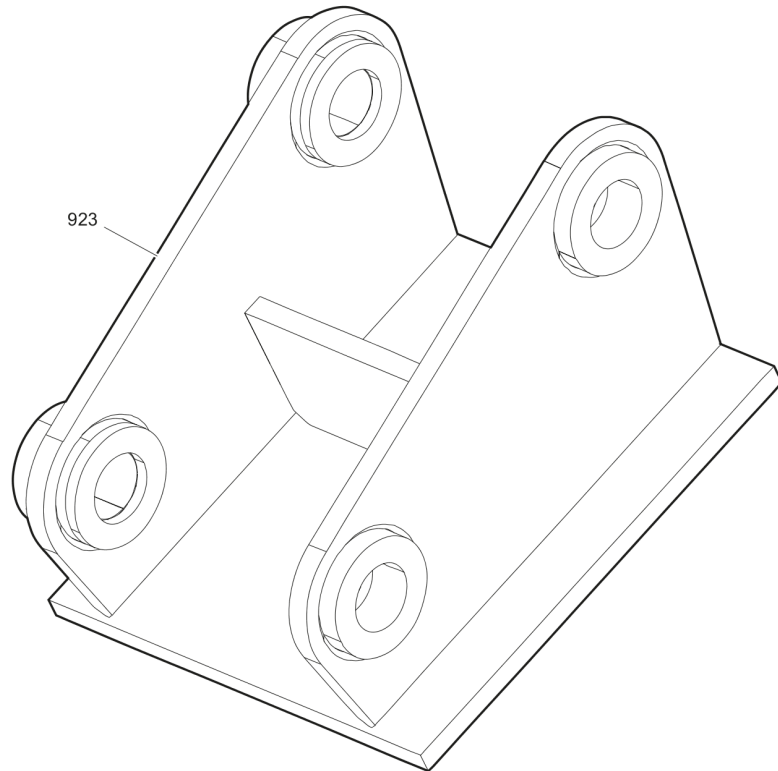
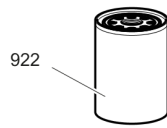
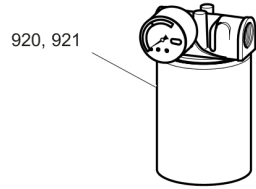
This page intentionally left blank

Options / accessories Picks and retainers kits



Item	Part No.	Name	Qty	L
1	3311004555	Picks and retainers kit	1	
A1		ER11/28/24/12 C	100	
C	3311001264	Circlip	100	

Options / accessories Optional equipment



Item	Part No.	Name	Qty	L
920	3311000066	Hydraulic filter set for leakage oil, metric	1	
921	3311002298	Hydraulic filter set for leakage oil, JIC	1	
922	3311000064	Filter cartridge for leakage oil, metric and JIC	1	
923	Adapter plate matching the carrier. Consult the authorized Customer Center/Dealer in your area.		1	
	3311005599	Water spray kit	1	
	3311500155	Dust suction cover	1	

Any unauthorized use or copying of the contents or any part thereof is prohibited.
This applies in particular to trademarks, model denominations, part numbers, and drawings.