

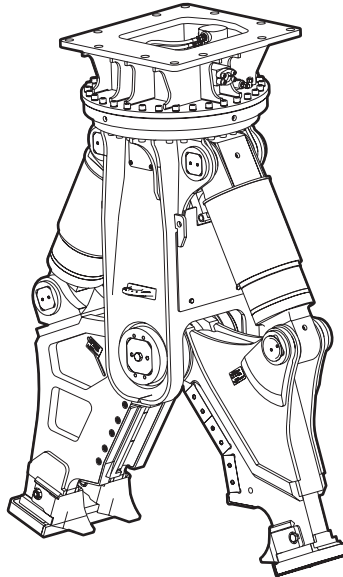
CC 3700 U, 3700 S

Spare parts list

Hydraulic demolition cutter

CC 3700 U s/n DEQ179218 - DEQ189006

CC 3700 S s/n DEQ179218 - DEQ189006



General information

This spare parts list applies to the following:

Part number	Description
3363119500	Hydraulic demolition cutter CC 3700 U
3363119501	Hydraulic demolition cutter CC 3700 S

Use only authorized parts. Any damage or malfunction caused by the use of unauthorized parts is not covered by Warranty or Product Liability. Any unauthorized use or copying of the contents or any part thereof is prohibited. This applies in particular to trademarks, model denominations, part numbers, and drawings.

Instructions for use

This spare parts list contains no safety regulations and is merely intended to assist in the ordering of spare parts.

For information about operating, servicing, or repairing, the relevant Safety and operating instructions must be consulted at all costs.

Please observe the safety instructions listed in the relevant Safety and operating instructions!

Instructions for ordering

It is essential to indicate the serial number of the hydraulic attachment when ordering spare parts!

Please note the full identification number of your hydraulic attachment.

Determine the quantity of individual parts which are required and need to be ordered. The order must indicate the following details:

- full identification code of the hydraulic attachment
- required quantity
- part number
- description

Service, repair and wear part kits

Kit list 1

Mechanical

Hydraulic demolition cutter part 1 4
Hydraulic demolition cutter part 2 7
Hydraulic cylinder 9
Protective piston rod sheath complete 11
Cutter jaw pair U complete 13
Cutter jaw (single) U 15
Cutter jaw (double) U 17
Cutter jaw pair S complete 19
Cutter jaw (single) S 21
Upper part complete 23
Rotary transmission 26
Tightening torques 29
Dimensions CC 3700 U 31
Dimensions CC 3700 S 32

Options / accessories

Hydraulic hoses 34
Optional equipment 37

Service, repair and wear part kits Kit list

NO EXPLODED VIEW
AVAILABLE
FOR THIS BOM

Item	Part No.	Name	Qty	L
KIT	3363121069	Label kit	1	
KIT	3363121067	Hose (casing) kit	1	
31	3360314370	O-ring	12	
34	3360026513	Allen screw	48	
35	3363099405	Hydraulic hose	4	
36	3363087603	Hydraulic hose	1	
37	3363087604	Hydraulic hose	1	
KIT	3363091066	Tip of tooth kit	1	
428	3363098963	Tip of tooth	1	A
429	3363098934	Hexagon nut	1	
430	3363066413	Hexagon head screw	1	
468	3363098963	Tip of tooth	2	B
469	3363098934	Hexagon nut	2	
470	3363066413	Hexagon head screw	2	
KIT	3363091065	Cutter blades kit	1	
421	3363086479	Cutter blade	3	
423	3363070085	Allen screw	6	
424	3361850748	Pair of lock washers	6	
425	3363035107	Lock ring	6	
454	3363088149	Shim	3	C
455	3363087607	Shim	3	D
462	3363086479	Cutter blade	3	
463	3360106101	Allen screw	6	
464	3361850748	Pair of lock washers	6	
465	3363035107	Lock ring	6	
494	3363088149	Shim	3	C
495	3363087607	Shim	3	D
220(221-236)	3363121139	Seal kit for hydraulic cylinder	1	
221		Seal	1	
222		Seal	1	
223		Wiper	1	
224		Guide ring	2	
225		Guide ring	1	
226		Guide ring	1	
227		Back-up ring	1	
228		O-ring	1	
229		Back-up ring	2	

Refer to Parts Online for the most up to date information. The printed information might be outdated.

Mon Nov 13 08:10:42 UTC 2017

Item	Part No.	Name	Qty	L
230		O-ring	1	
231		Back-up ring	2	
232		O-ring	1	
707(708-711)	3363083066	Seal kit (Rotary transmission)	1	
708		V-ring	1	
709		O-ring	1	
710		Slide ring	1	
711		Seal	2	
KIT	3363083945	Seal kit (Hydraulic motor housing)	1	
KIT	3363083074	Seal kit (Hydraulic motor)	1	
KIT	3363091024	Seal kit (Rapid movement valve)	1	

Comments for Page: Kit list

A | with item 429 and 430

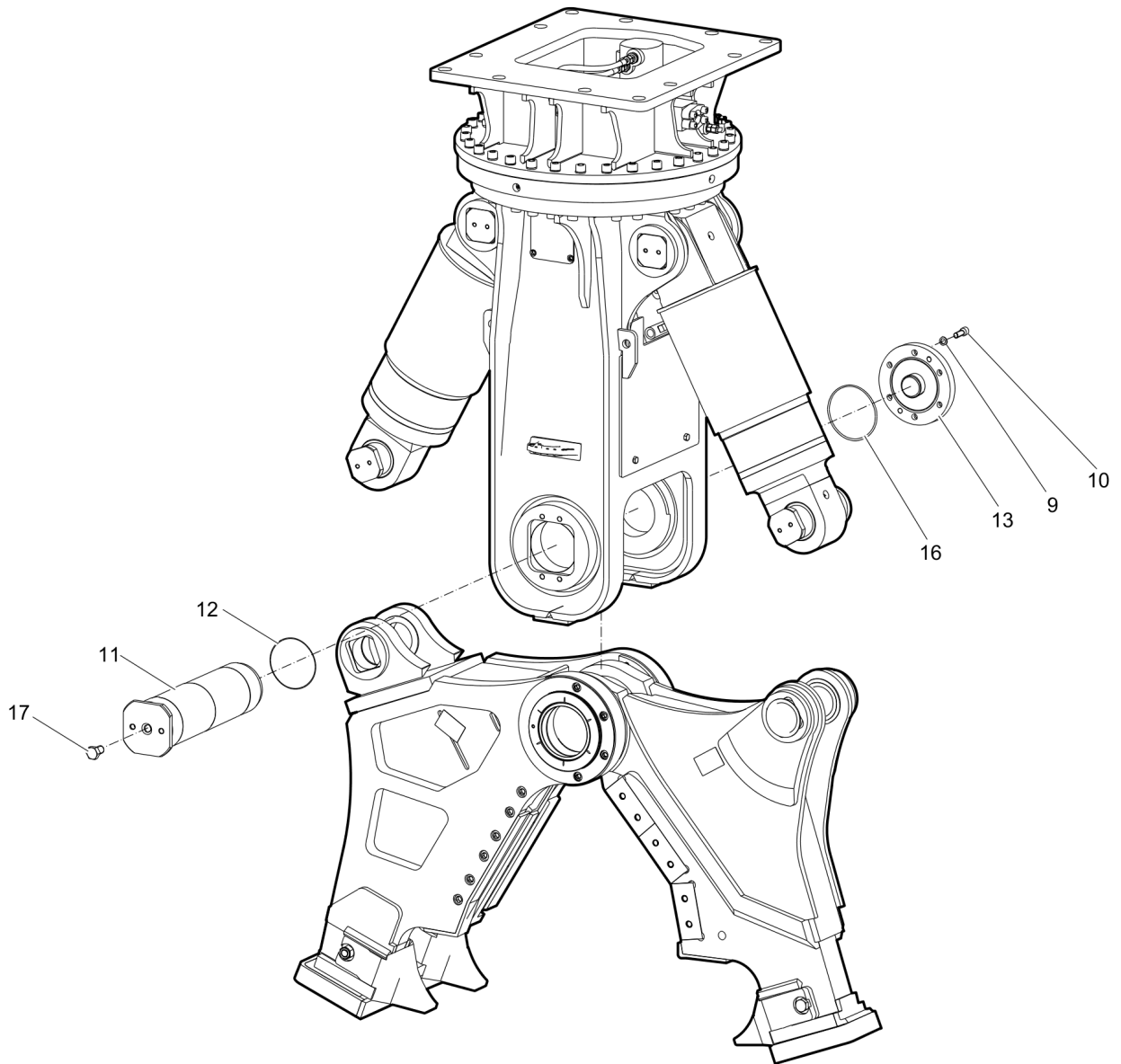
B | with item 469 and 470

C | 0.2 mm (0.01 in.) thick, as required

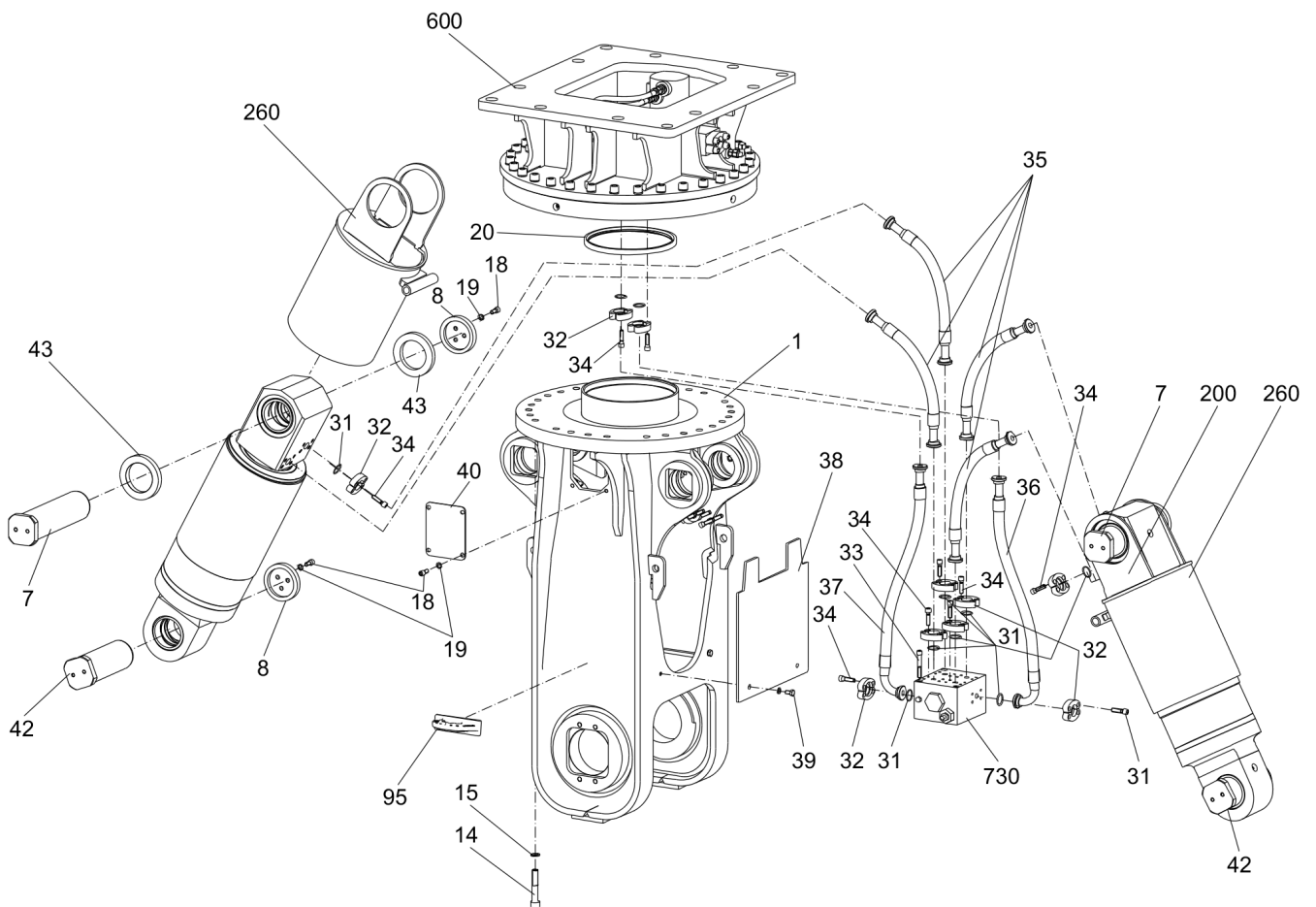
D | 1.0 mm (0.04 in.) thick, as required

This page intentionally left blank

Mechanical Hydraulic demolition cutter part 1



Item	Part No.	Name	Qty	L
9	3361333703	Pair of lock washers	3	
10	3360026641	Allen screw	3	
11	3363120100	Bolt	1	
12	3361031495	O-ring	1	
13	3363106298	Cap	1	
16	3360478168	O-ring	1	
17	3363091095	Hexagon head screw	1	

Mechanical Hydraulic demolition cutter part 2

Item	Part No.	Name	Qty	L
1	3363120027	Housing	1	A
7	3363120099	Bolt	2	
8	3363120308	Cap	4	
14	3360106101	Allen screw	24	
15	3361850748	Pair of lock washers	24	
18	3360103751	Allen screw	20	
19	3361850596	Pair of lock washers	27	
20	3363070083	Seal	1	
31	3360314370	O-ring	12	
32	3361853208	Flange half	24	
33	3360118443	Allen screw	3	
34	3360026513	Allen screw	48	
35	3363099405	Hydraulic hose	4	
36	3363087603	Hydraulic hose	1	
37	3363087604	Hydraulic hose	1	
38	3363120102	Plate	2	
39	3360433381	Hexagon head screw	4	
40	3362262371	Cap	2	
42	3363120098	Bolt	2	
43	3363117528	Disk	4	
95	3363111995	Lifting eye	2	B
200	3363121154	Hydraulic cylinder complete	2	C
260	3363120309	Protective piston rod sheath complete	2	
600	3363120351	Upper part complete	1	C
730	3363103690	Rapid movement valve	1	

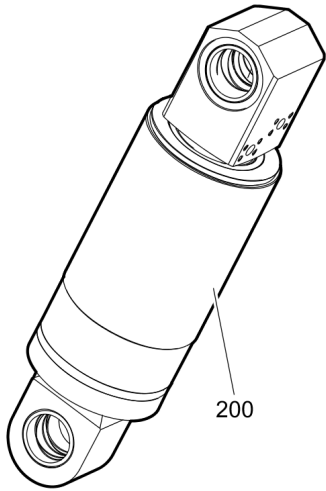
Comments for Page: Hydraulic demolition cutter part 2

A | with item 95

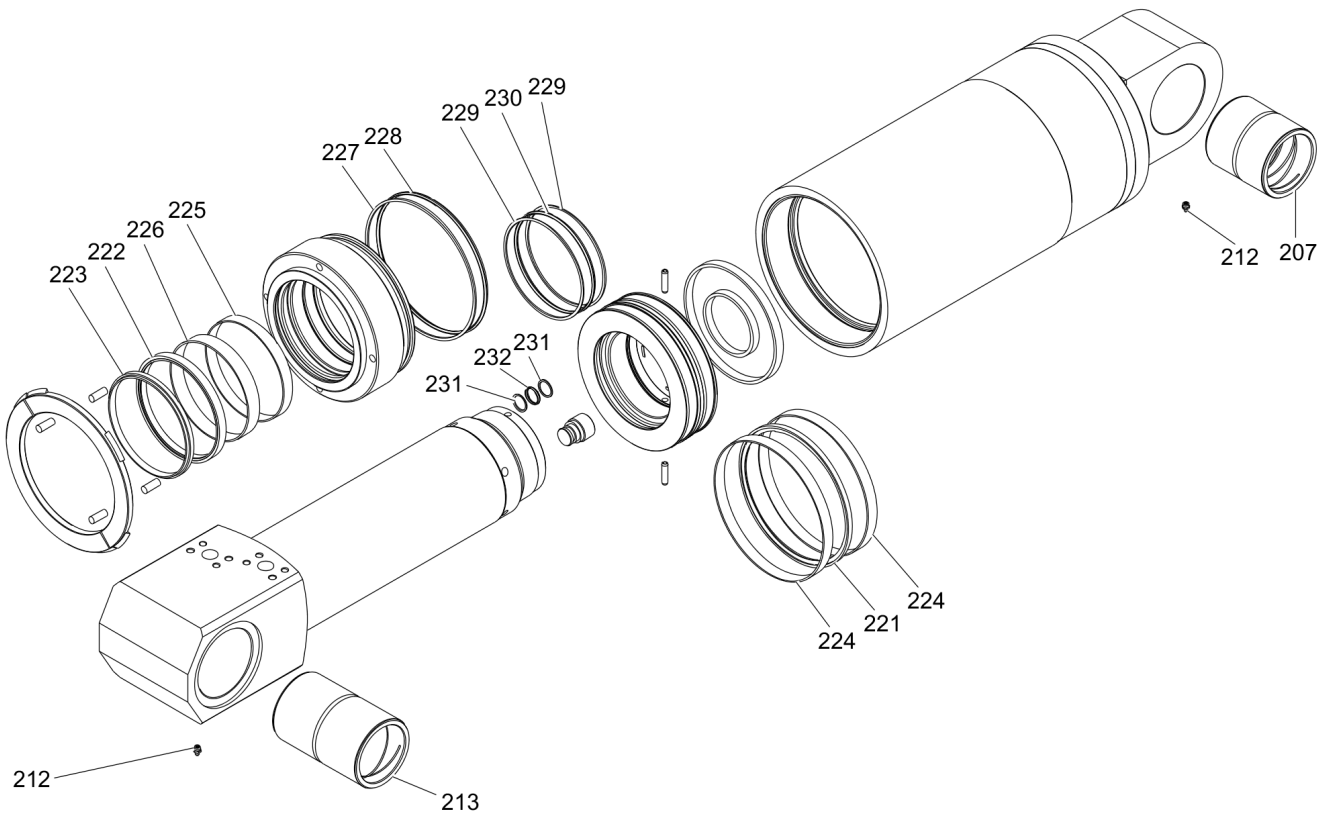
B | professional welding process necessary

C | see separate chapter

Mechanical Hydraulic cylinder



220											
221	222	223	224	225	226	227	228	229	230	231	232



Refer to Parts Online for the most up to date information. The printed information might be outdated.

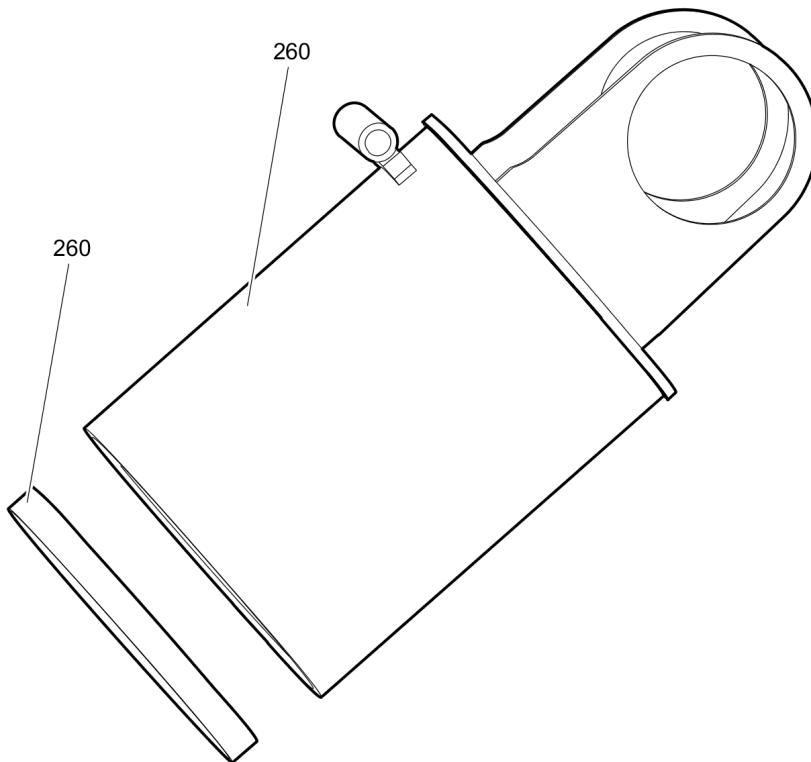
Mon Nov 13 08:10:43 UTC 2017

Item	Part No.	Name	Qty	L
200	3363121154	Hydraulic cylinder complete	1	A
207	3363121133	Clamping bush	1	
212	3360209834	Grease nipple	2	
213	3363121136	Clamping bush	1	
220(221-232)	3363121139	Seal kit for hydraulic cylinder	1	
221		Seal	1	
222		Seal	1	
223		Wiper	1	
224		Guide ring	2	
225		Guide ring	1	
226		Guide ring	1	
227		Back-up ring	1	
228		O-ring	1	
229		Back-up ring	2	
230		O-ring	1	
231		Back-up ring	2	
232		O-ring	1	

Comments for Page: Hydraulic cylinder

A | with item 207 - 232

Mechanical Protective piston rod sheath complete

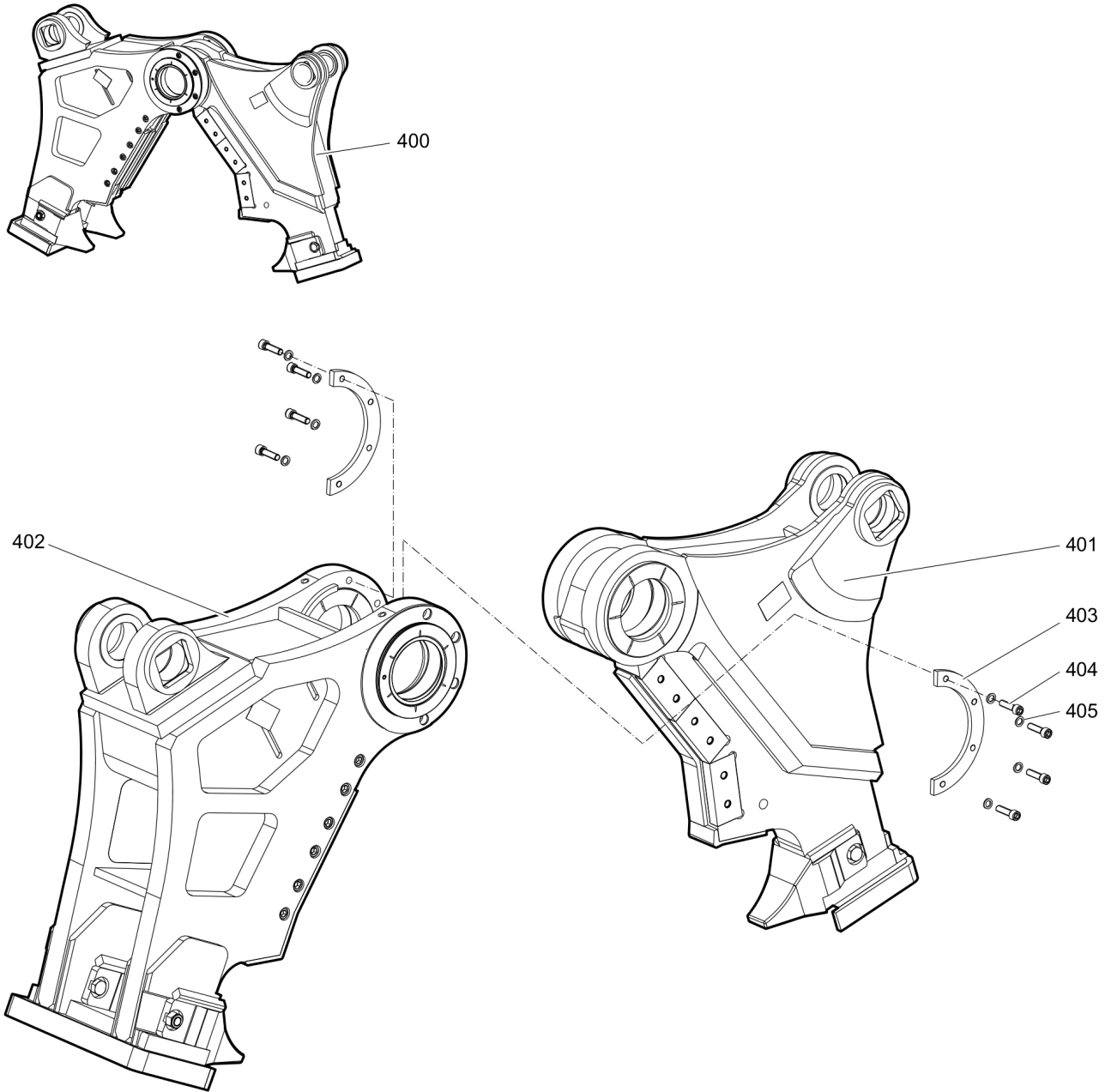


Item	Part No.	Name	Qty	L
260	3363120309	Protective piston rod sheath complete	2	A
262	3363088873	Guide strip	2	

Comments for Page: Protective piston rod sheath complete

A | with item 262

Mechanical Cutter jaw pair U complete



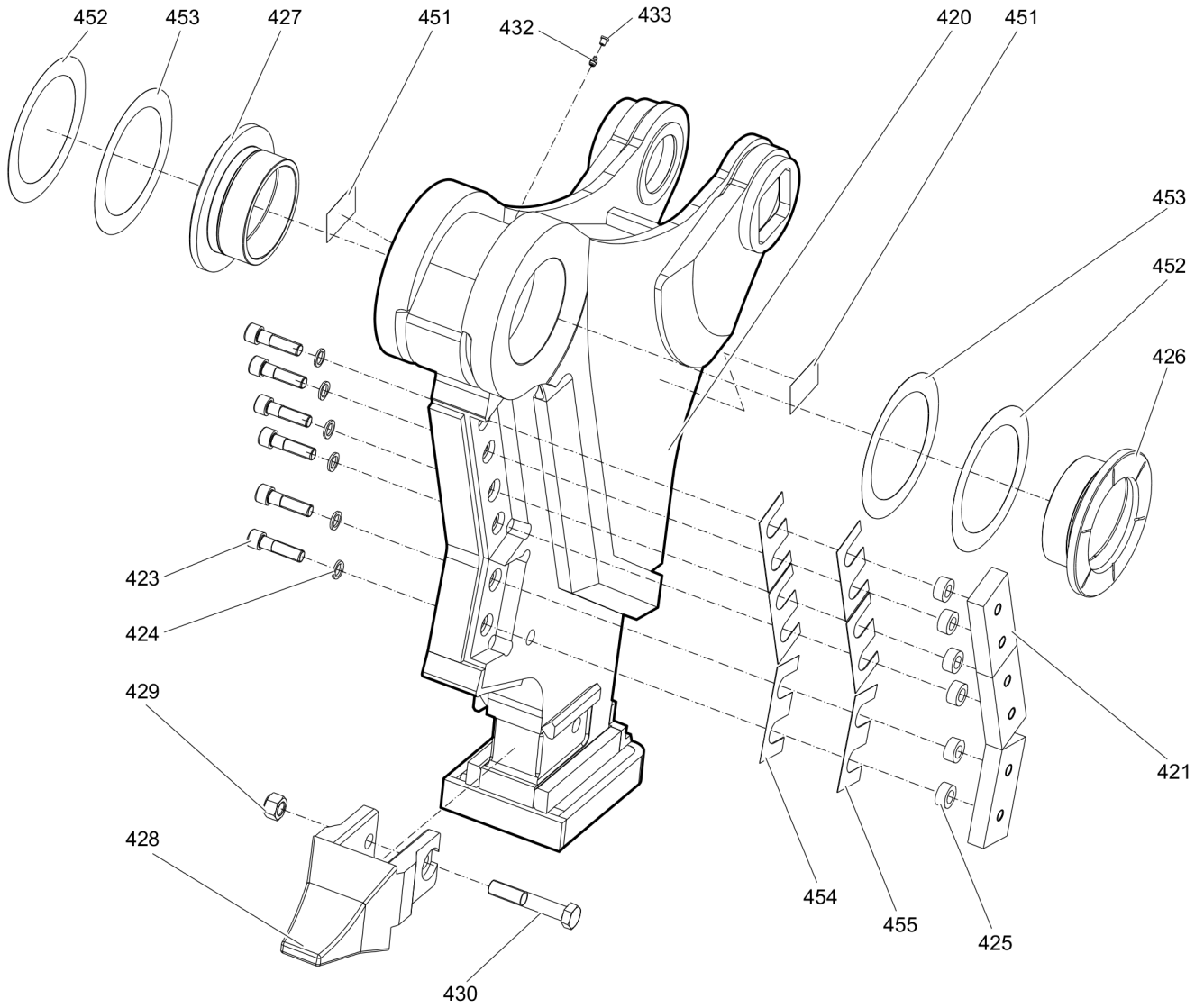
Item	Part No.	Name	Qty	L
400	3363120310	Cutter jaw pair U complete	1	A
401	3363120317	Cutter jaw (single) U	1	B
402	3363120321	Cutter jaw (double) U	1	B
403	3363088213	Ring segment	2	
404	3360026644	Allen screw	8	
405	3361333703	Pair of lock washers	8	

Comments for Page: Cutter jaw pair U complete

A | with item 401 - 405

B | see separate chapter

Mechanical Cutter jaw (single) U



Refer to Parts Online for the most up to date information. The printed information might be outdated.
Mon Nov 13 08:10:45 UTC 2017

Item	Part No.	Name	Qty	L
420	3363120317	Cutter jaw (single) U	1	A
421	3363086479	Cutter blade	3	
423	3363070085	Allen screw	6	
424	3361850748	Pair of lock washers	6	
425	3363035107	Lock ring	6	
426	3363092469	Bearing bush	1	
427	3363092471	Bearing bush	1	
428	3363098963	Tip of tooth	1	B
429	3363098934	Hexagon nut	1	
430	3363066413	Hexagon head screw	1	
432	3360209834	Grease nipple	1	
433	3363087600	Cap	1	
451	3362268751	Label tightening torque	2	C
452	3363088397	Spacer ring	2	D
453	3363099095	Spacer ring	2	E
454	3363088149	Shim	3	D
455	3363087607	Shim	3	F

Comments for Page: Cutter jaw (single) U

A | with item 421 - 451

B | with item 429 and 430

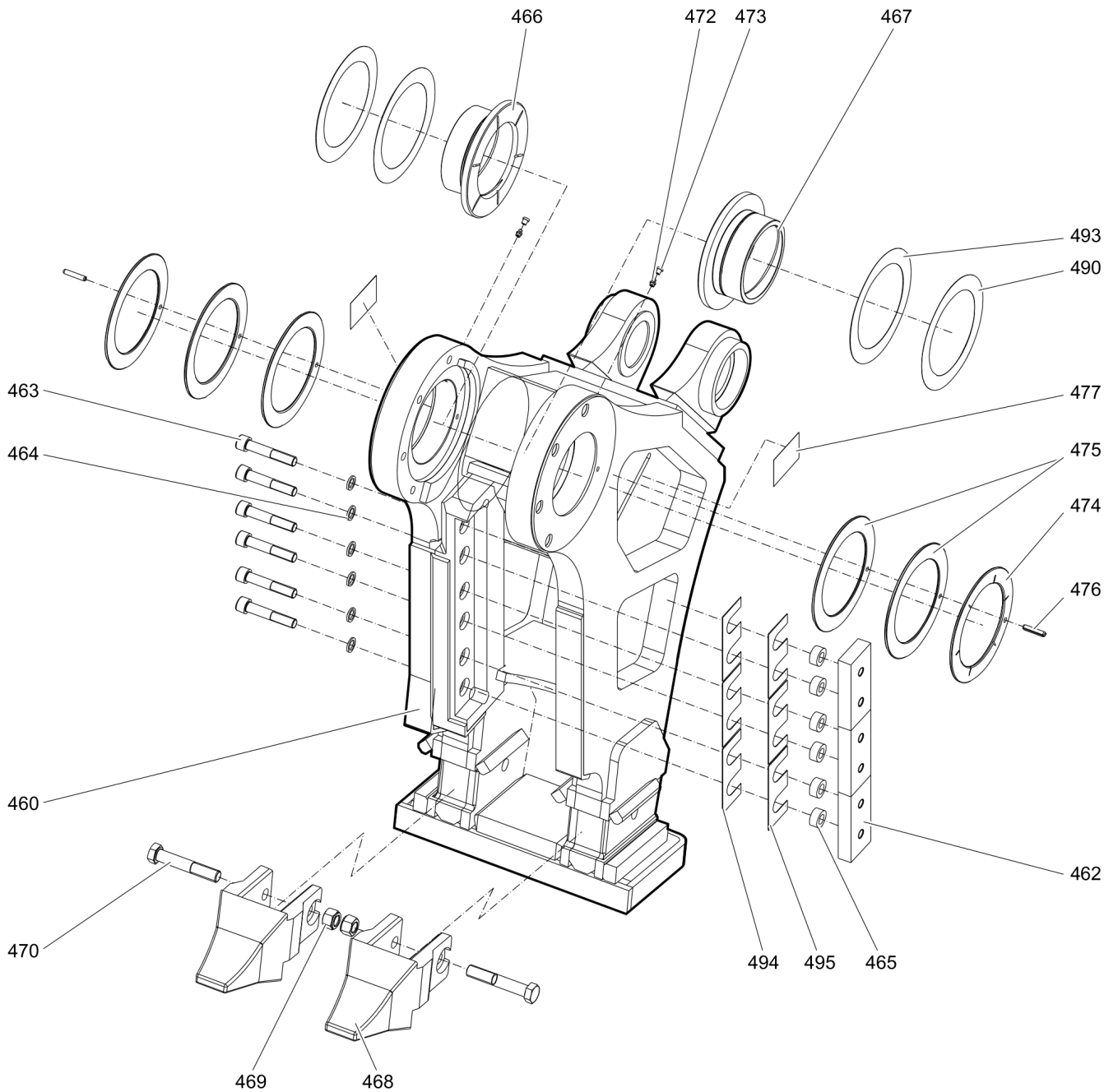
C | German/English

D | 0.2 mm (0.01 in.) thick, as required

E | 0.5 mm (0.02 in.) thick, as required

F | 1.0 mm (0.04 in.) thick, as required

Mechanical Cutter jaw (double) U



Refer to Parts Online for the most up to date information. The printed information might be outdated.

Mon Nov 13 08:10:46 UTC 2017

Item	Part No.	Name	Qty	L
460	3363120321	Cutter jaw (double) U	1	A
462	3363086479	Cutter blade	3	
463	3360106101	Allen screw	6	
464	3361850748	Pair of lock washers	6	
465	3363035107	Lock ring	6	
466	3363092469	Bearing bush	1	
467	3363092471	Bearing bush	1	
468	3363098963	Tip of tooth	2	B
469	3363098934	Hexagon nut	2	
470	3363066413	Hexagon head screw	2	
472	3360209834	Grease nipple	1	
473	3363087600	Cap	1	
474	3363120302	Spacer ring	4	
475	3363120301	Spacer ring	2	
476	3363098104	Spring dowel sleeve	2	
477	3362268751	Label tightening torque	2	C
490	3363088397	Spacer ring	2	D
493	3363099095	Spacer ring	2	E
494	3363088149	Shim	3	D
495	3363087607	Shim	3	F

Comments for Page: Cutter jaw (double) U

A | with item 462 - 477

B | with item 469 and 470

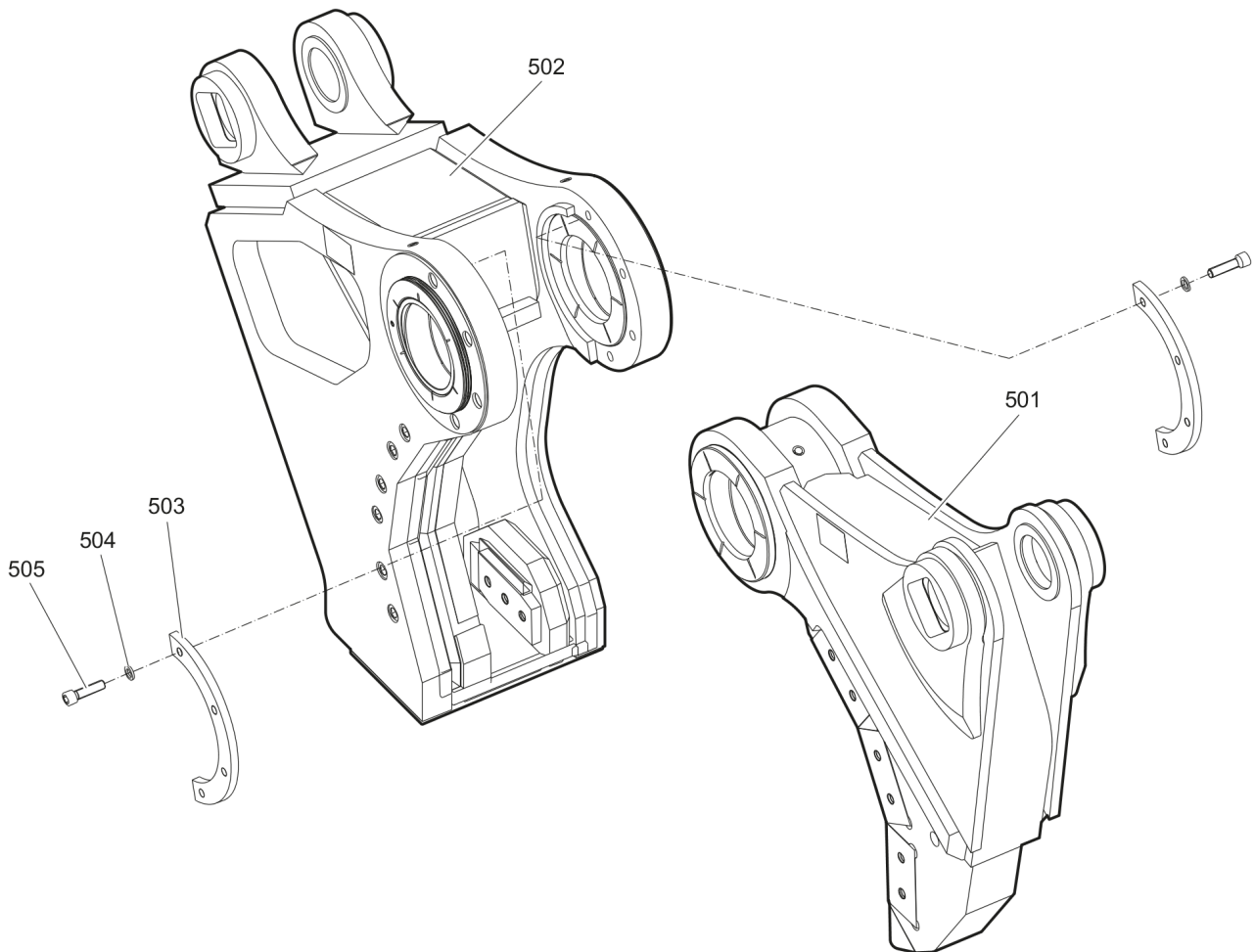
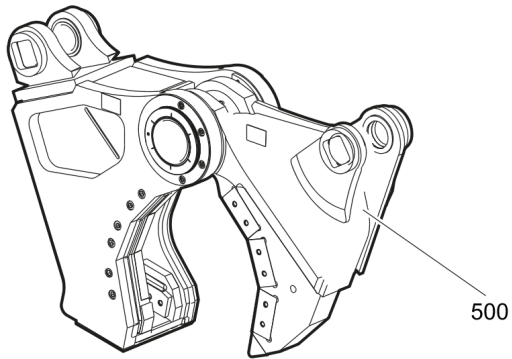
C | German/English

D | 0.2 mm (0.01 in.) thick, as required

E | 0.5 mm (0.02 in.) thick, as required

F | 1.0 mm (0.04 in.) thick, as required

Mechanical Cutter jaw pair S complete

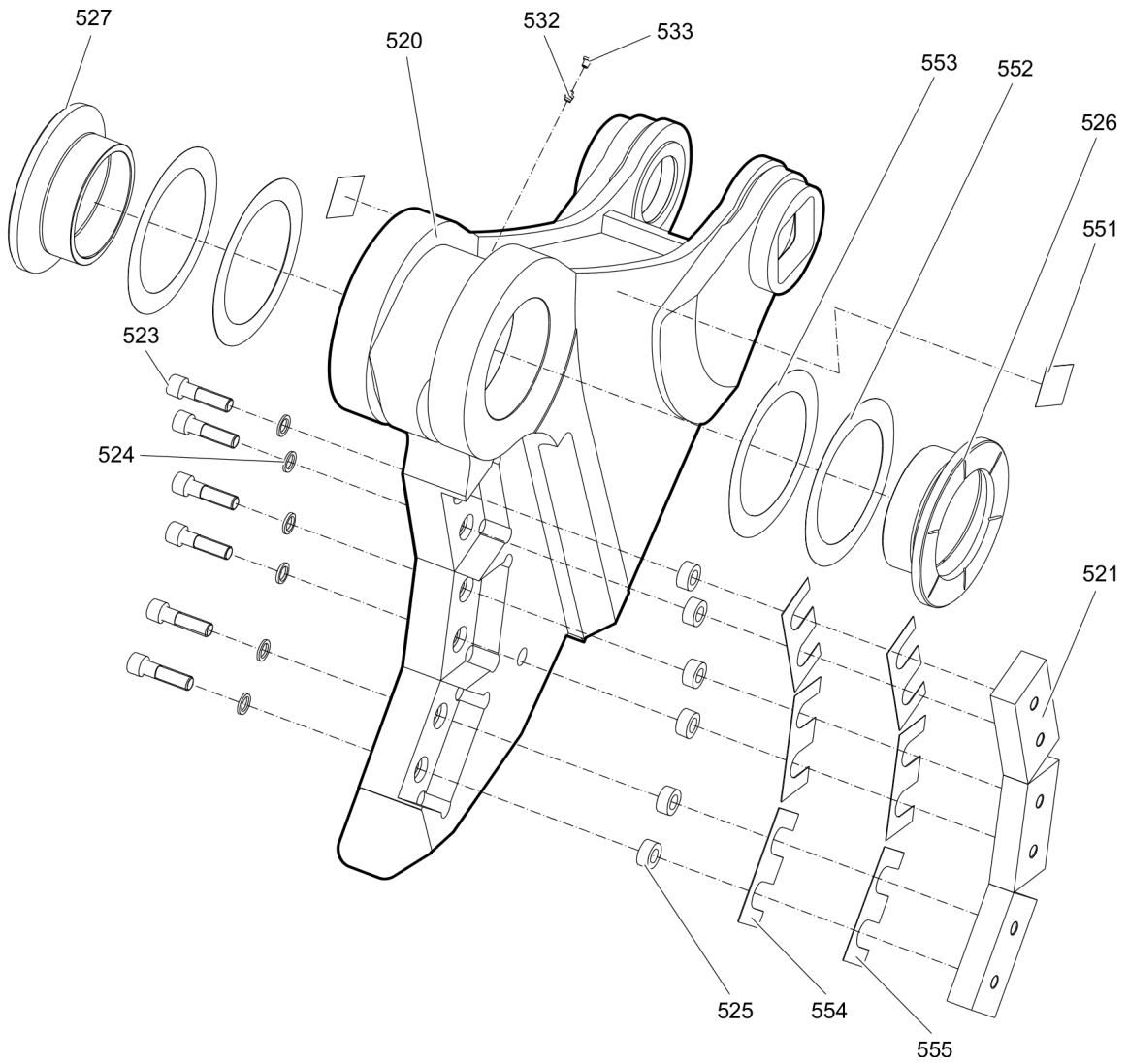


Item	Part No.	Name	Qty	L
500	3363121057	Cutter jaw pair S complete	1	
501	3363121247	Cutter jaw (single) S	1	A
502	3363121245	Cutter jaw (double) S	1	A
503	3363088213	Ring segment	2	
504	3361333703	Pair of lock washers	8	
505	3360026644	Allen screw	8	

Comments for Page: Cutter jaw pair S complete

A | see separate chapter

Mechanical Cutter jaw (single) S



Refer to Parts Online for the most up to date information. The printed information might be outdated.

Mon Nov 13 08:10:47 UTC 2017

Item	Part No.	Name	Qty	L
520	3363121247	Cutter jaw (single) S	1	A
521	3363086457	Cutter blade	3	
523	3363070085	Allen screw	6	
524	3361850748	Pair of lock washers	6	
525	3363035107	Lock ring	6	
526	3363092469	Bearing bush	1	
527	3363092471	Bearing bush	1	
532	3360209834	Grease nipple	1	
533	3363087600	Cap	1	
551	3362268751	Label tightening torque	2	B
552	3363088397	Spacer ring	2	C
553	3363099095	Spacer ring	2	D
554	3363088149	Shim	3	C
555	3363087607	Shim	3	E

Comments for Page: Cutter jaw (single) S

A | with item 521 -551

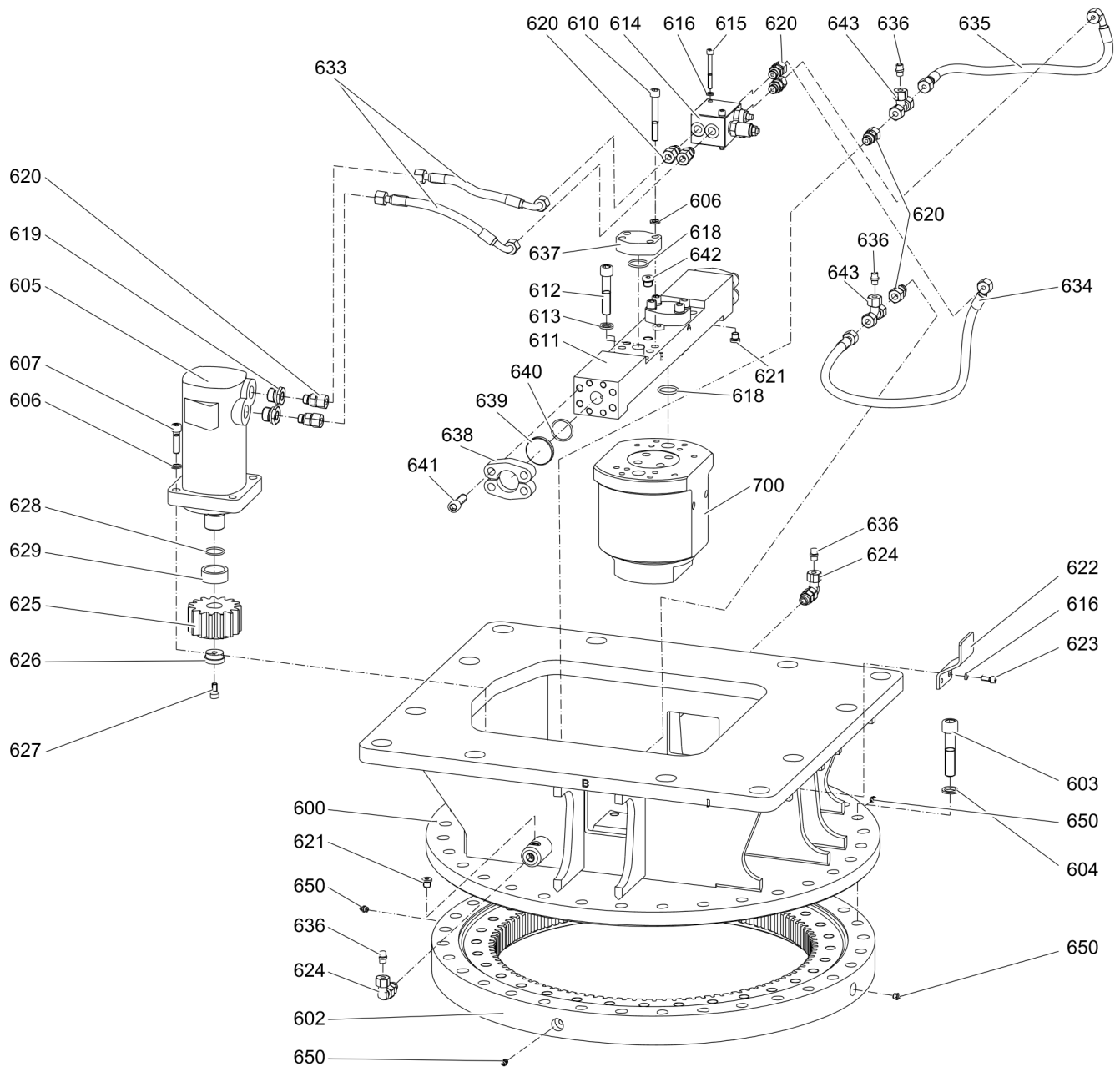
B | German/English

C | 0.2 mm (0.01 in.) thick,as required

D | 0.5 mm (0.02 in.) thick, as required

E | 1.0 mm (0.04 in.) thick, as required

Mechanical Upper part complete



Refer to Parts Online for the most up to date information. The printed information might be outdated.

Mon Nov 13 08:10:47 UTC 2017

Item	Part No.	Name	Qty	L
600	3363120351	Upper part complete	1	A
602	3363070082	Four point bearing	1	
603	3360106099	Allen screw	36	
604	3361850748	Pair of lock washers	36	
605	3363098967	Hydraulic motor	1	
606	3361850596	Pair of lock washers	12	
607	3360026513	Allen screw	4	
610	3363034429	Allen screw	8	
611	3363104173	Connection plate	1	
612	3360026648	Allen screw	4	
613	3361333703	Pair of lock washers	4	
614	3362266712	Valve block	1	
615	3360103738	Allen screw	2	
616	3361850743	Pair of lock washers	4	
618	3360314370	O-ring	4	
619	3362267435	Fitting	2	
620	3360478333	Fitting	8	
621	3360478439	Threaded plug	4	
622	3363092059	Cover	1	
623	3360103733	Allen screw	2	
624	3363091912	Fitting	2	
625	3362260807	Spur pinion	1	
626	3363088327	Ring	1	
627	3361031981	Allen screw	1	
628	3360313304	O-ring	1	
629	3362265869	Ring	1	
633	3363083972	Hydraulic hose	2	
634	3363085884	Hydraulic hose	1	
635	3363083970	Hydraulic hose	1	
636	3360314593	Plug	4	
637	3363034040	Blind flange	2	
638	3360992488	Flange half	4	
639	3363031348	Blind plate	2	
640	3360314372	O-ring	2	
641	3363034274	Allen screw	8	
642	3360478440	Threaded plug	2	
643	3360314543	Fitting	2	

Refer to Parts Online for the most up to date information. The printed information might be outdated.

Mon Nov 13 08:10:47 UTC 2017

Item	Part No.	Name	Qty	L
650	3360209834	Grease nipple	4	
700	3363033685	Rotary transmission	1	B

Comments for Page: Upper part complete

(L)OCAL REMARKS

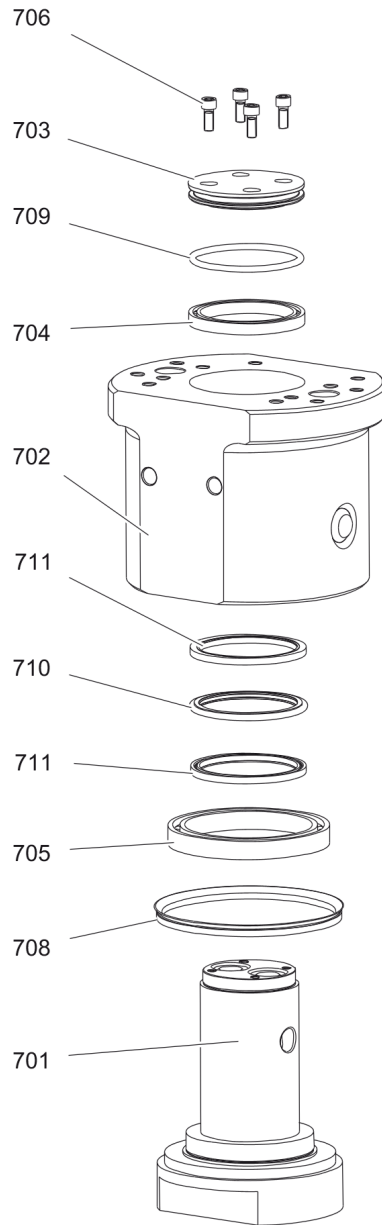
A | with item 602 - 700

B | see separate chapter

This page intentionally left blank

Mechanical Rotary transmission

700						
701	702	703	704	705	706	707



707			
708	709	710	711

Item	Part No.	Name	Qty	L
700(701-707)	3363033685	Rotary transmission	1	
701	3363034316	Rotor	1	
702	3363034317	Stator	1	
703	3363034318	Cap	1	
704	3363034319	Ball bearing	1	
705	3363034320	Ball bearing	1	
706	3363034325	Allen screw	4	
707(708-711)	3363083066	Seal kit (Rotary transmission)	1	
708		V-ring	1	
709		O-ring	1	
710		Slide ring	1	
711		Seal	2	

Mechanical Tightening torques

NO EXPLODED VIEW
AVAILABLE
FOR THIS BOM

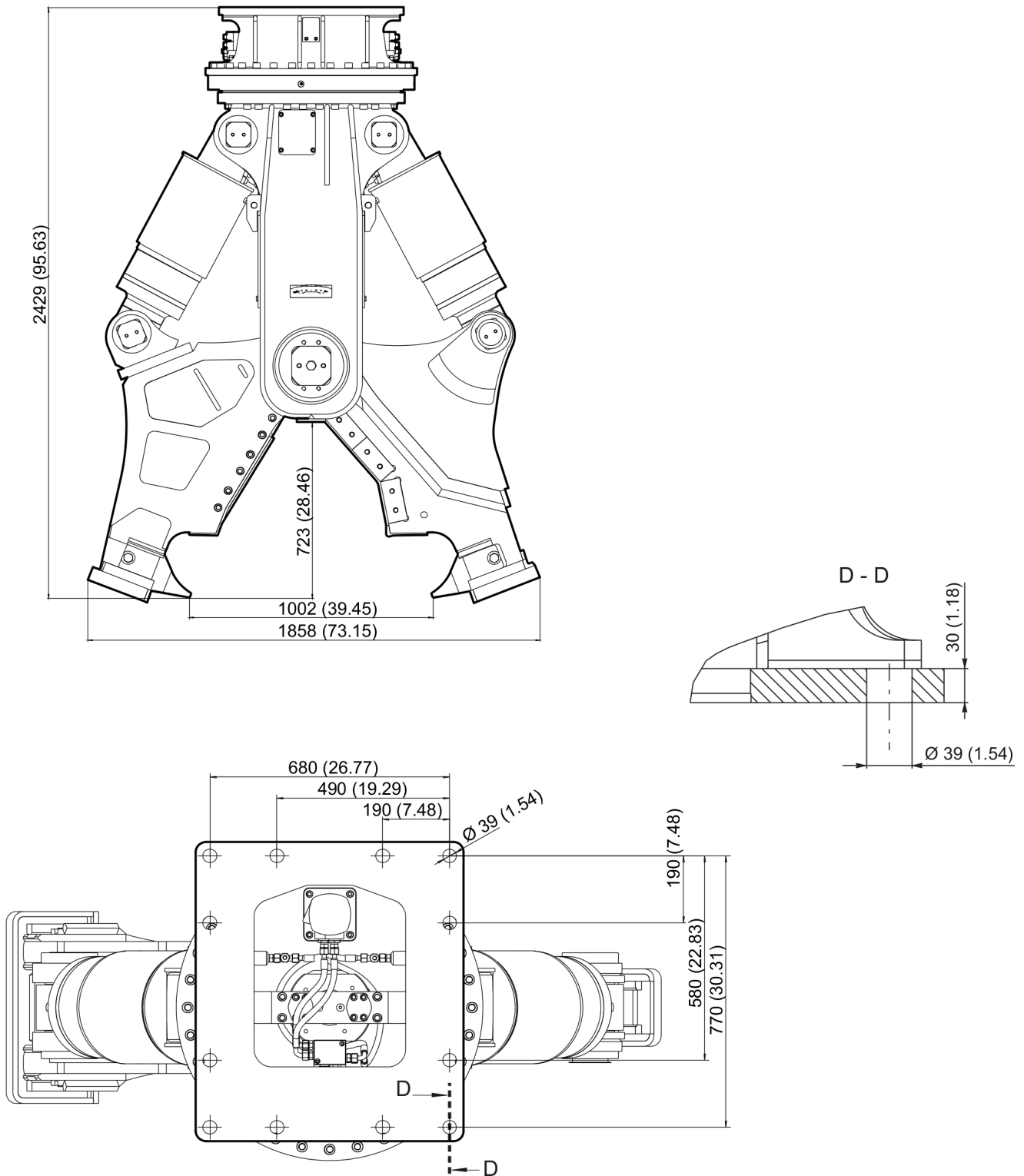
Item	Part No.	Name	Qty	L
10	-	Allen screw - 180 + 20 Nm (133 + 15 ft lbf)		
14	-	Allen screw - 530 + 30 Nm (391 + 22 ft lbf)	-	
17	-	Hexagon head screw - 650 + 50 Nm (479 + 37 ft lbf)		A
18	-	Allen screw - 75 + 10 Nm (55 + 7 ft lbf)	-	
33	-	Allen screw - 105 + 10 Nm (77 + 7 ft lbf)	-	
34	-	Allen screw - 45 + 5 Nm (33 + 4 ft lbf)	-	
39	-	Hexagon head screw - 75 + 10 Nm (55 + 7 ft lbf)	-	A
404	-	Allen screw - 180 + 20 Nm (133 + 15 ft lbf)	-	
423	-	Allen screw - 530 + 30 Nm (391 + 22 ft lbf)	-	
430	-	Hexagon head screw - 920 + 30 Nm (679 + 22 ft lbf)	-	
463	-	Allen screw - 530 + 30 Nm (391 + 22 ft lbf)	-	
470	-	Hexagon head screw - 920 + 30 Nm (679 + 22 ft lbf)	-	
505	-	Allen screw - 180 + 20 Nm (133 + 15 ft lbf)		
523	-	Allen screw - 530 + 30 Nm (391 + 22 ft lbf)		
563	-	Allen screw - 530 + 30 Nm (391 + 22 ft lbf)		
569	-	Allen screw - 530 + 30 Nm (391 + 22 ft lbf)		
603	-	Allen screw - 530 + 30 Nm (391 + 22 ft lbf)	-	
607	-	Allen screw - 75 + 10 Nm (55 + 7 ft lbf)	-	
610	-	Allen screw - 100 + 10 Nm (74 + 7 ft lbf)	-	
612	-	Allen screw - 180 + 20 Nm (133 + 15 ft lbf)	-	
615	-	Allen screw - 19 + 5 Nm (14 + 4 ft lbf)	-	
620	-	Fitting - 70 + 10 Nm (52 + 7 ft lbf)	-	
623	-	Allen screw - 19 + 5 Nm (14 + 4 ft lbf)	-	
624	-	Fitting - 70 + 10 Nm (52 + 7 ft lbf)	-	
627	-	Allen screw - 70 + 5 Nm (52 + 4 ft lbf)	-	A
641	-	Allen screw - 170 + 15 Nm (125 + 11 ft lbf)	-	

Comments for Page: Tightening torques

(L)OCAL REMARKS

A | fix with Loctite 243

Mechanical Dimensions CC 3700 U

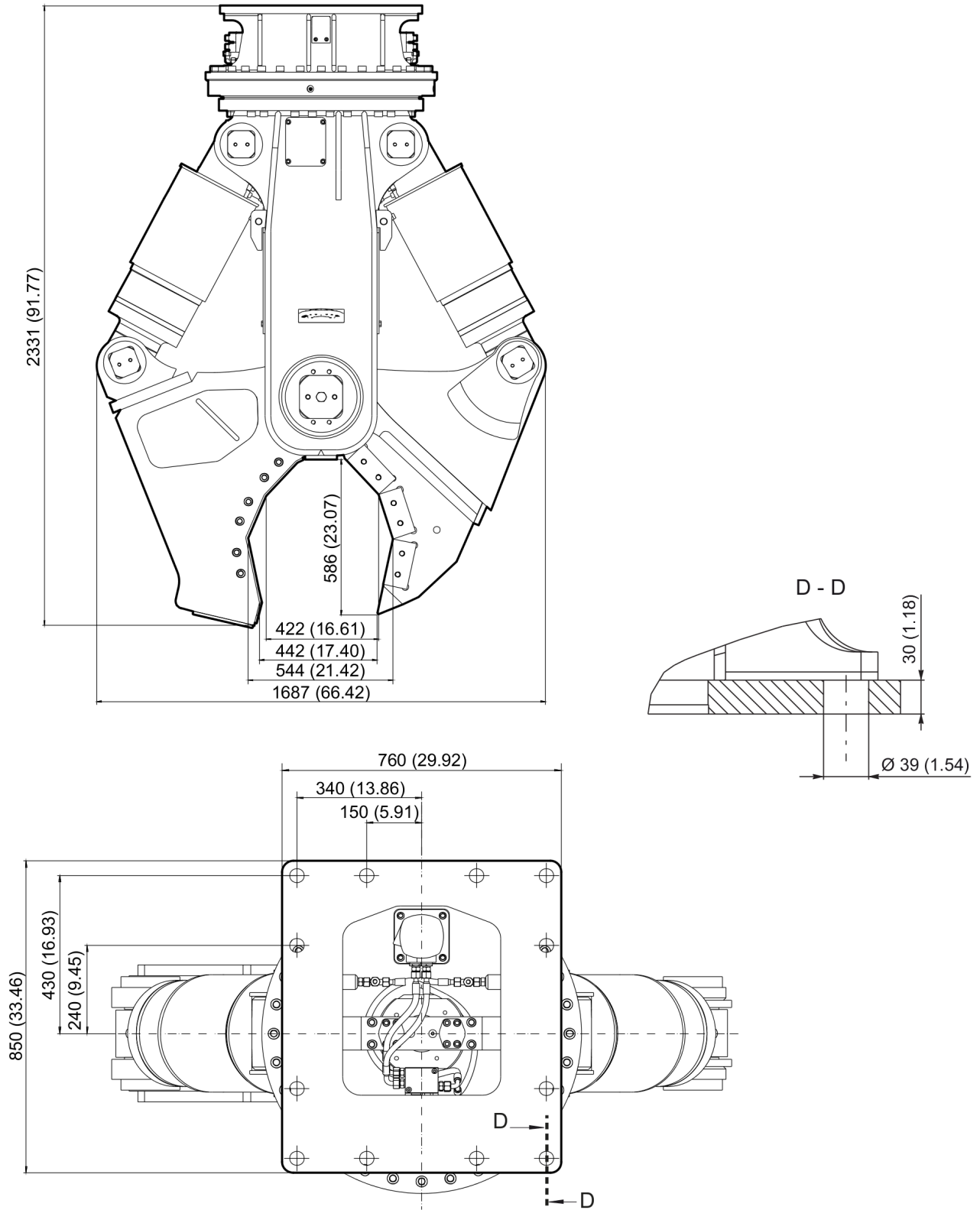


Refer to Parts Online for the most up to date information. The printed information might be outdated.

Mon Nov 13 08:10:49 UTC 2017

This page intentionally left blank

Mechanical Dimensions CC 3700 S



Refer to Parts Online for the most up to date information. The printed information might be outdated.

Mon Nov 13 08:10:49 UTC 2017

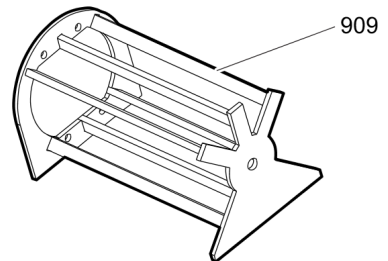
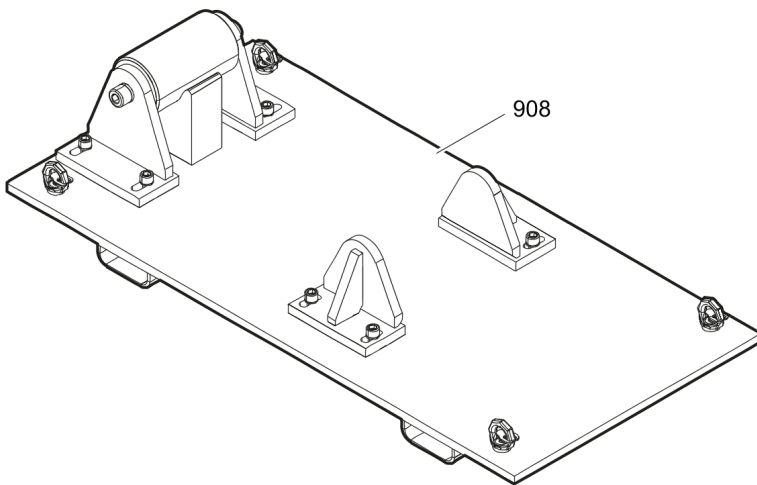
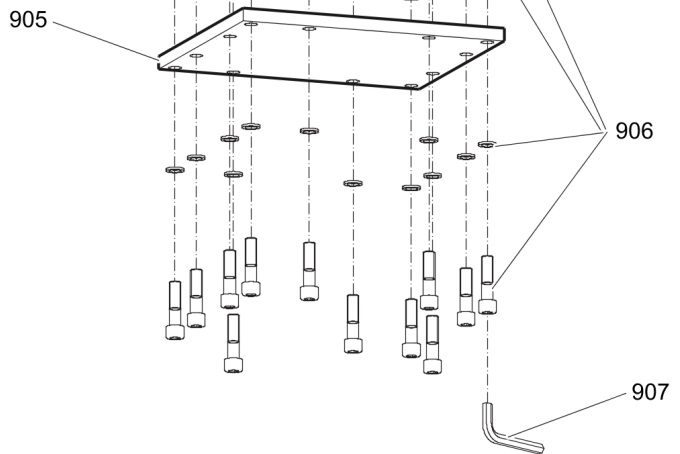
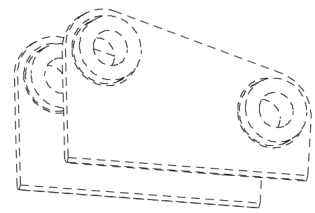
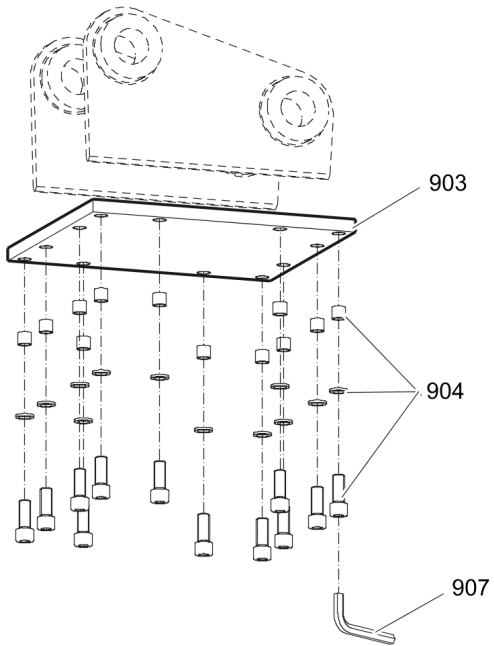
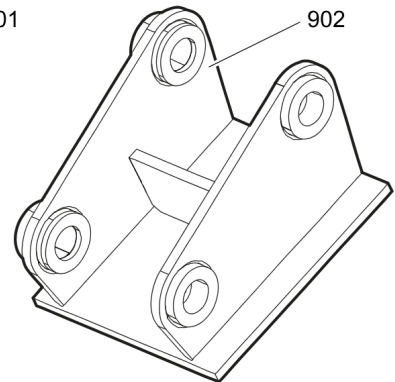
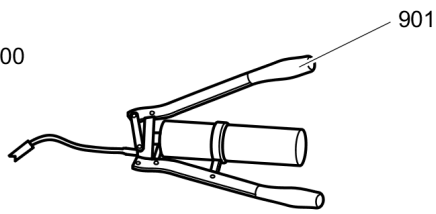
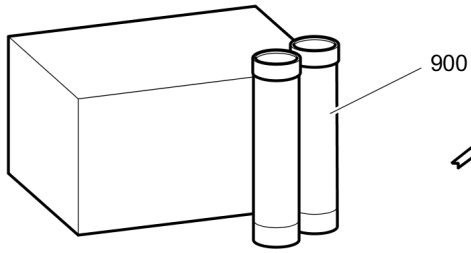
This page intentionally left blank

Options / accessories Hydraulic hoses

NO EXPLODED VIEW
AVAILABLE
FOR THIS BOM

Item	Part No.	Name	Qty	L
Not Shown	-	Open - Close		
-	3363106493	Hydraulic Hose, I.D. 32 (1.26 in.) flange SAE 90° 1 1/4 in. - 6000 PSI, , 1 5/8 in. JIC, length 2800 mm (110 in.)	2	
-	3363106494	Hydraulic Hose, I.D. 32 (1.26 in.) flange SAE 90° 1 1/4 in. - 6000 PSI, , 1 5/8 in. JIC, length 3500 mm (138 in.)	2	
Not Shown	-	Rotation		
-	3363031767	Hydraulic hose, I.D. 8 (3/8"), both ends M20 x 1.5 conical seal 24°, length 2800 mm (110 in.)	2	
-	3363034399	Hydraulic hose, I.D. 8 (3/8"), both ends M20 x 1.5 conical seal 24°, length 3500 mm (138 in.)	2	

Options / accessories Optional equipment



Item	Part No.	Name	Qty	L
900	3363094914	Cutter grease cartridge, 12 x 400 g (0.88 lbs)	1	
901	0909107100	Grease gun for 400 g cartridge	1	
902		Adapter plate matching the carrier. Consult the authorized Customer Center/Dealer in your area.	1	
903	3363104727	Base plate with threaded inserts	1	
904	3363087307	Bolt kit	1	
905	3363104725	Base plate with through borings	1	
906	3363094580	Bolt kit	1	
907	3360478949	Allen key (27 mm)	1	
908		Assembly rack	1	A
909	3363094648	Bolt cage	1	B

Comments for Page: Optional equipment

(L)OCAL REMARKS

A | for cutter jaw set, consult the authorized Customer Center/Dealer in your area

B | for bolt item 11

Any unauthorized use or copying of the contents or any part thereof is prohibited.
This applies in particular to trademarks, model denominations, part numbers, and drawings.