

SB 452 Scaler

Spare parts list

Hydraulic breaker

SB 452 Scaler from s/n BES043707



General information

This spare parts list applies to the following:

Part number	Description
8460030072	SB 452 Scaler

Use only authorized parts. Any damage or malfunction caused by the use of unauthorized parts is not covered by Warranty or Product Liability. Any unauthorized use or copying of the contents or any part thereof is prohibited. This applies in particular to trademarks, model denominations, part numbers, and drawings.

Instructions for use

This spare parts list contains no safety regulations and is merely intended to assist in the ordering of spare parts.

For information about operating, servicing, or repairing, the relevant Safety and operating instructions must be consulted at all costs.

Please observe the safety instructions listed in the relevant Safety and operating instructions!

Contents

Spare parts list

Spare part list	1
Optional parts - Bushing oversize, complete	5
Optional parts - Bushing press fit, complete	7
Optional parts - Restrictor, complete	9

Tightening torque

Tightening torque	11
-------------------	----

Working tools

Working tools SB 452 scaler	13
-----------------------------	----

Accessories

Optional equipment	15
Hydraulic hoses	17

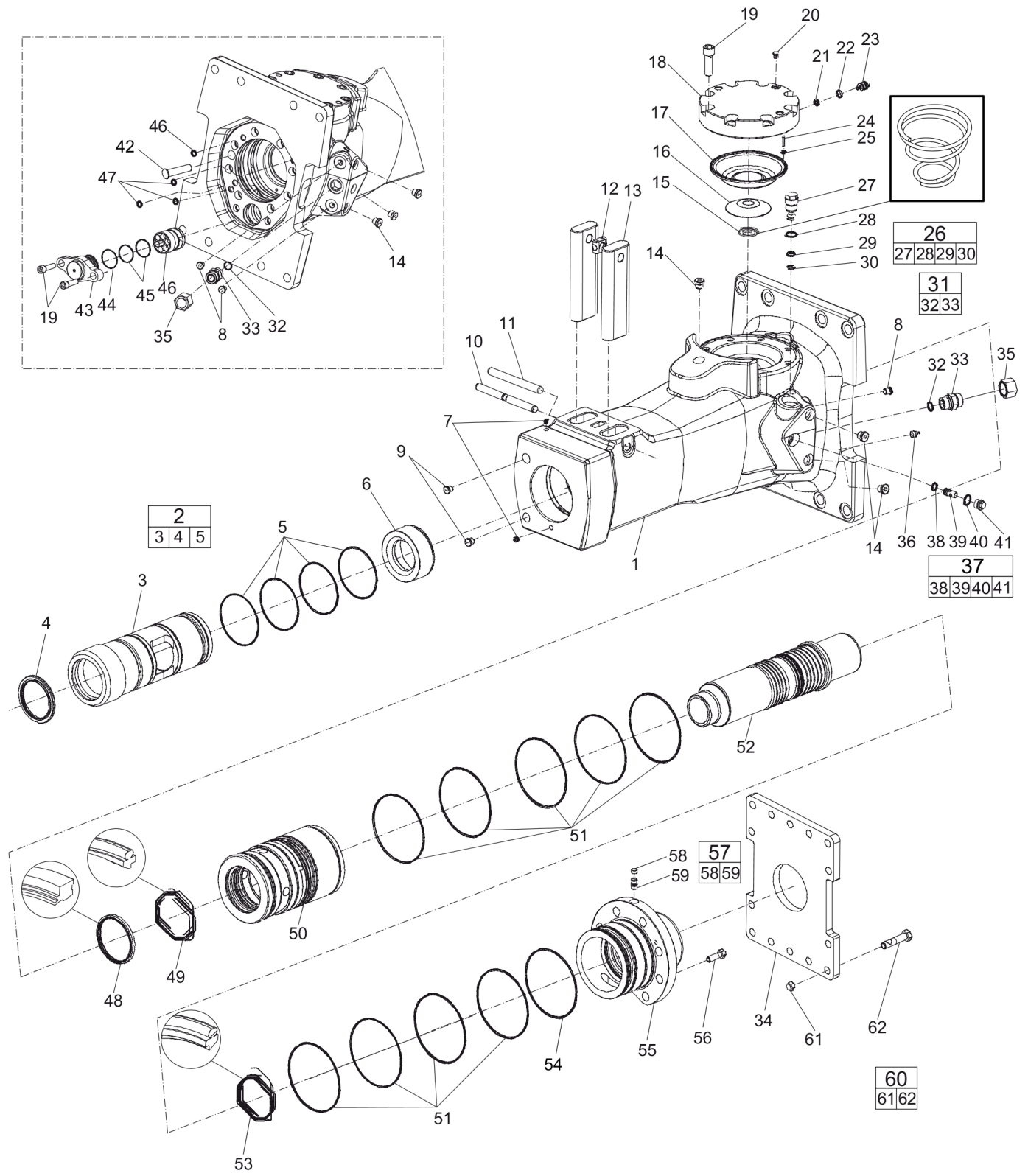
Kits

Label kit	19
Seal kit	21
Lower hammer part kit	23
Accumulator repair kit	25

Dimensions

Dimensions (mm)	27
-----------------	----

Spare parts list Spare parts list



Refer to Parts Online for the most up to date information. The printed information might be outdated.

Tue May 26 04:51:21 MDT 2015

Item	Part No.	Name	Qty	L
1	-	Breaker body	1	
2	3315312480	Bushing standard, complete	1	A
3	--	Bushing, Ø129 mm, Ø5.08 in.	1	
4	3315353600	Scraper ring	1	
5	0663714700	O-ring	4	
6	3315312300	Stop ring	1	
7	-	Plug	2	
8	0686644207	Plug, VSTI R 1/4-ED	3	B
9	3315395200	Water nozzle	2	
10	3315155800	Lock pin	1	
11	0108169129	Spring pin, option, 16 x 180 mm, 0.63 x 7.09 in.	1	
12	3315141900	Lock buffer	1	
13	3315155700	Tool retainer	2	
14	0686371801	Plug, VSTI R 3/8 - ED	6	C
15	3315303500	Coil spring	1	
16	3315303201	Diaphragm support	1	
17	3315416300	Diaphragm	1	
18	3315303100	Diaphragm cover	1	
19	0211196544	Hexagon socket screw M16 x 50 mm Screw with extra high fatigue strength.	10	D
20	0686371805	Plug VSTI R 1/8-ED	1	E
21	3115329002	Seal ring 8 x 14 x 2.4 mm (90 shore), 0.31 x 0.55 x 0.09 in.	1	
22	0663212000	O-ring 13.3 x 2.4 mm (70 shore), 0.52 x 0.09 in.	1	
23	3315366000	Charge valve	1	
24	0101414000	Parallel pin D4 x 25 mm, D4 x 0.98 in.	1	
25	0663211400	O-ring 7.3 x 2.4 mm (90 shore), 0.28 x 0.09 in.	1	
26	3315365800	Pressure relief valve, complete	1	
27	--	Pressure relief valve	1	
28	9125621100	O-ring, 20.35 x 1.78 mm , 0.80 x 0.07 in. (90 shore)	1	
29	0663210421	O-ring, 14.0 x 1.78 mm , 0.55 x 0.07 in. (90 shore)	1	
30	0661200401	Back-up ring	1	
31	0580001845	Nipple, complete	1	F
32	0664000004	Seal ring	1	
33	--	Nipple	1	
34	3315307700	Base plate	1	
35	0570700010	Cap	2	
36	0544215300	Grease nipple, ISO 7-R 1/4	1	
37	3315369687	Restrictor standard, complete	1	

Refer to Parts Online for the most up to date information. The printed information might be outdated.

Tue May 26 04:51:21 MDT 2015

This page intentionally left blank

Item	Part No.	Name	Qty	L
.38	0663210421	O-ring, 14.0 x 1.78 mm , 0.55 x 0.07 in. (90 shore)	1	
.39	--	Restrictor standard, Ø 8.7 mm , Ø 0.34 in.	1	
.40	9125621100	O-ring, 20.35 x 1.78 mm , 0.80 x 0.07 in. (90 shore)	1	
.41	3315369200	Plug	1	
.42	3315336700	Plug	1	
.43	3315362800	Valve cover	1	
.44	0663211491	O-ring, 47.29 x 2.62 mm Polyuretán, 1.86 x 0.10 in.	1	
.45	0663990026	Seal ring, 51.3 x 54.3 x 3 mm, 2.02 x 2.14 x 0.12 in.	2	
.46	3315312100	Control valve	1	
.47	0665090014	Seal, SCR 10 x 16 x 2.4 mm	4	
.48	0665909964	Wiper	1	
.49	0665070147	Piston rod seal	1	
.50	3315312000	Liner	1	
.51	0663990032	Seal ring	9	
.52	3315311900	Piston	1	
.53	0665070148	Piston rod seal	1	
.54	0663210417	O-ring, 145.72 x 2.62 mm , 5.7 x 0.10 in. (70 shore)	1	
.55	3315312600	Back head	1	
.56	0147155503	Hexagon head screw	8	
.57	3315244881	Check valve, complete	1	
.58	3315280800	Valve rubber	1	
.59	--	Check valve	1	
.60	3315323890	Set of eight screws, complete	1	
.61	--	Nut, M20	8	
.62	--	Screw, M20 x 90 mm	8	

Comments for Page: Spare part list

(L)OCAL REMARKS

A | For oversize bushings, see section "Bushing oversize, complete".

B | VSTI G1/4 - ED

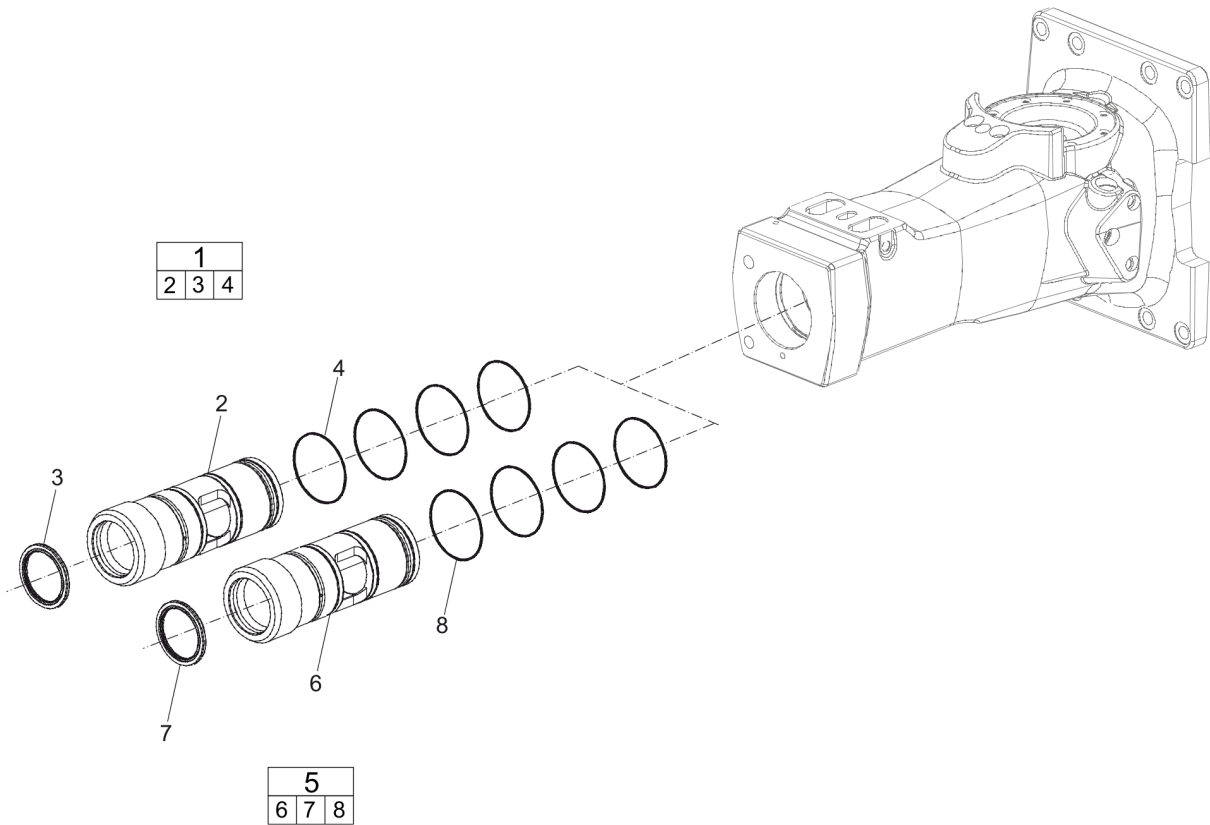
C | VSTI G3/8 - ED

D | Screw with extra high fatigue strength.

E | VSTI R 1/8 - ED

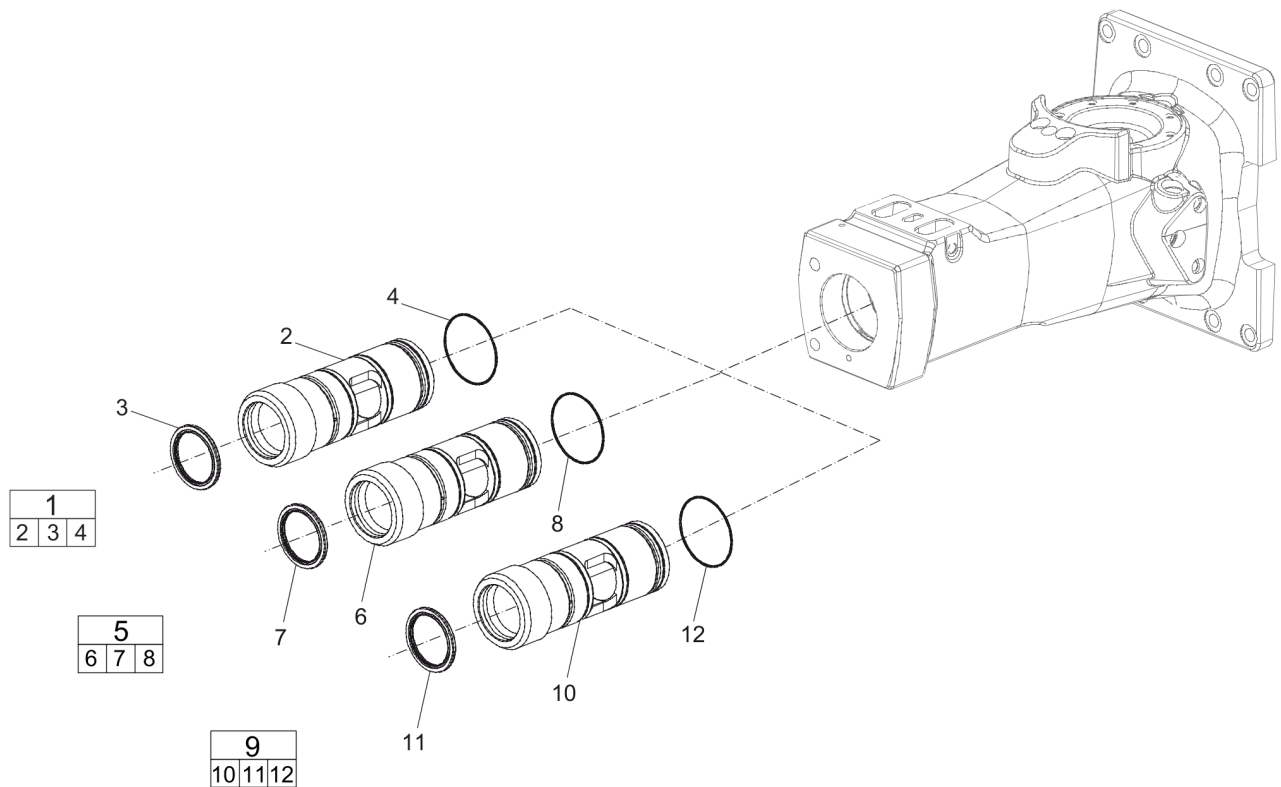
F | There are two "Nipple, complete" on the machine.

Spare parts list Optional parts - Bushing oversize, complete



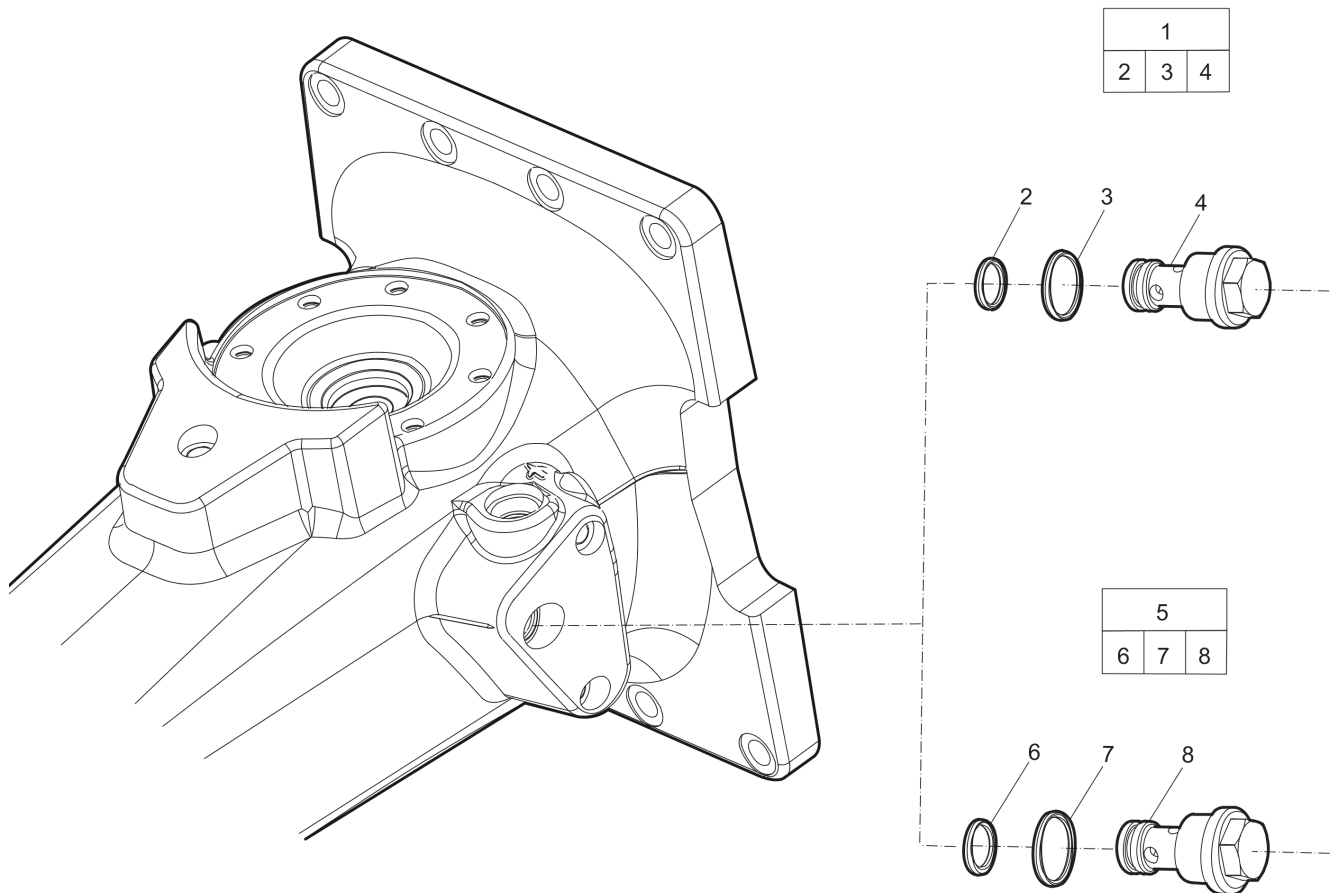
Item	Part No.	Name	Qty	L
1	3315312460	Bushing oversize, complete	1	
.2	--	Bushing, Ø130.5 mm, Ø5.14 in.	1	
.3	3315353600	Scraper ring	1	
.4	0663210823	O-ring, 119.5 x 3 mm, 4.70 x 0.12 in.	4	
5	3315312463	Bushing oversize, complete	1	
.6	--	Bushing, Ø132 mm, Ø5.20 in.	1	
.7	3315353600	Scraper ring	1	
.8	0663210823	O-ring, 119.5 x 3 mm, 4.70 x 0.12 in.	4	

Spare parts list Optional parts - Bushing press fit, complete



Item	Part No.	Name	Qty	L
1	3315409500	Bushing press fit standard, complete	1	
.2	--	Bushing, Ø129 mm, Ø5.08 in.	1	
.3	3315353600	Scraper ring	1	
.4	0663210823	O-ring, 119.5 x 3 mm, 4.70 x 0.12 in.	1	
5	3315409600	Bushing press fit oversize, complete	1	
.6	--	Bushing, Ø130.5 mm, Ø5.14 in.	1	
.7	3315353600	Scraper ring	1	
.8	0663210823	O-ring, 119.5 x 3 mm, 4.70 x 0.12 in.	1	
9	3315409700	Bushing press fit oversize, complete	1	
.10	--	Bushing, Ø132 mm, Ø5.20 in.	1	
.11	3315353600	Scraper ring	1	
.12	0663210823	O-ring, 119.5 x 3 mm, 4.70 x 0.12 in.	1	

Spare parts list Optional parts - Restrictor, complete



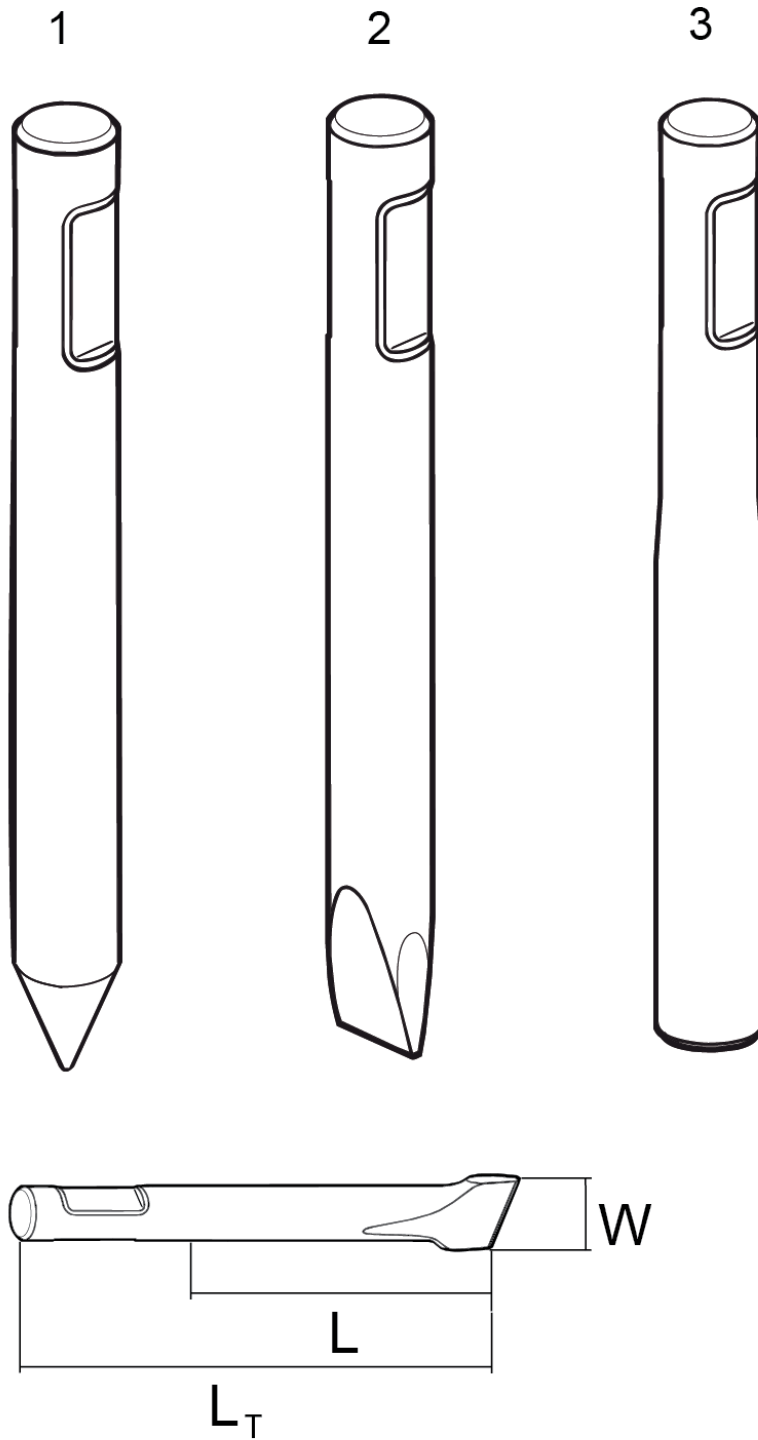
Item	Part No.	Name	Qty	L
1	3315369635	Restrictor, complete	1	
.2	0663210421	O-ring, 14.0 x 1.78 mm , 0.55 x 0.07 in. (90 shore)	1	
.3	9125621100	O-ring, 20.35 x 1.78 mm , 0.80 x 0.07 in. (90 shore)	1	
.4	3315315235	Restrictor	1	
5	3315369645	Restrictor, complete	1	
.6	0663210421	O-ring, 14.0 x 1.78 mm , 0.55 x 0.07 in. (90 shore)	1	
.7	9125621100	O-ring, 20.35 x 1.78 mm , 0.80 x 0.07 in. (90 shore)	1	
.8	3315315245	Restrictor	1	

Tightening torque Tightening torque

NO EXPLODED VIEW
AVAILABLE
FOR THIS BOM

Item	Part No.	Name	Qty	L
8	-	Plug - 30 Nm	-	A
14	-	Plug - 80 Nm	-	B
19	-	Hexagon socket screw - 300 Nm	-	C
20	-	Plug - 20 Nm	-	
23	-	Charge valve - 27 Nm	-	
27	-	Pressure relief valve - 80 Nm	-	
33	-	Nipple - 210 Nm	-	
36	-	Grease nipple - 30 Nm	-	
40	-	Restrictor standard - 80 Nm	-	
55	-	Hexagon head screw - 315 Nm	-	J
58	-	Check valve - 30 Nm	-	K
61	-	Nut - 400 Nm	-	L

Working tools Working tools SB 452 scaler



Item	Part No.	Name	Qty	L
1	3083 3177 00	Moil point	1	A
2	3083 3178 00	Chisel (cross)	1	B
3	3083 3188 00	Blunt tool	1	C

Comments for Page: Working tools SB 452 scaler

(L)OCAL REMARKS

A | L=465 mm, LT=840 mm, Wt=40 kg

L=18.31 inch, LT=33.07 inch, Wt=88 lb

B | W= 95 L=465 mm, LT=840 mm, Wt=43 kg

W=3.74 inch, L=18.31 inch, LT=33.07 inch, Wt=95 lb

C | L=465 mm, LT=840 mm, Wt=40 kg

L=18.31 inch, LT=33.07 inch, Wt=88 lb

Accessories Optional equipment

NO EXPLODED VIEW
AVAILABLE
FOR THIS BOM

Item	Part No.	Name	Qty	L
-	0909107100	Grease gun	1	A
-	3363094913	Chisel paste cartridge, 400 g x 12 pcs, 0.88 lb x 12	1	
-	3315383190	ContiLube II micro	1	
-	3315386780	Welding kit, universal	1	B
-	3315386280	Hose kit, universal	1	C
-	3363106447	Chisel paste cartridge, 150 g x 12, 0.33 lb x 12	1	
-	3363094669	Filling device	1	D
-	3315383980	Filling adapter	1	E
-	3363066411	Filling device	1	F
-	3362263900	Chisel paste container	1	G
-	3362263275	Chisel paste container	1	H
-	3360920415	Filling device for accumulator	1	
-	3363094459	Nipple, for charging the accumulator	1	
-	3361329803	Filling hose, for charging the accumulator	1	
-	3315353100	Bushing wear controller	1	

Comments for Page: Optional equipment

(L)OCAL REMARKS

A | For manual greasing with cartridge, 400 g (0.88 lb)

B | For ContiLube™ II micro

C | For ContiLube™ II micro

D | For the 150 g (0.33 lb) Chisel paste cartridges, to use in combination with Chisel paste container 15 kg (33 lb)

E | For the 150 g (0.33 lb)

Chisel paste cartridges, suitable with the filling device for 15 kg (33 lb) and 45 kg (99 lb)

F | For the 150 g (0.33 lb) Chisel paste cartridges, to use in combination with Chisel paste container 45 kg (99 lb)

G | 15 kg (33 lb)

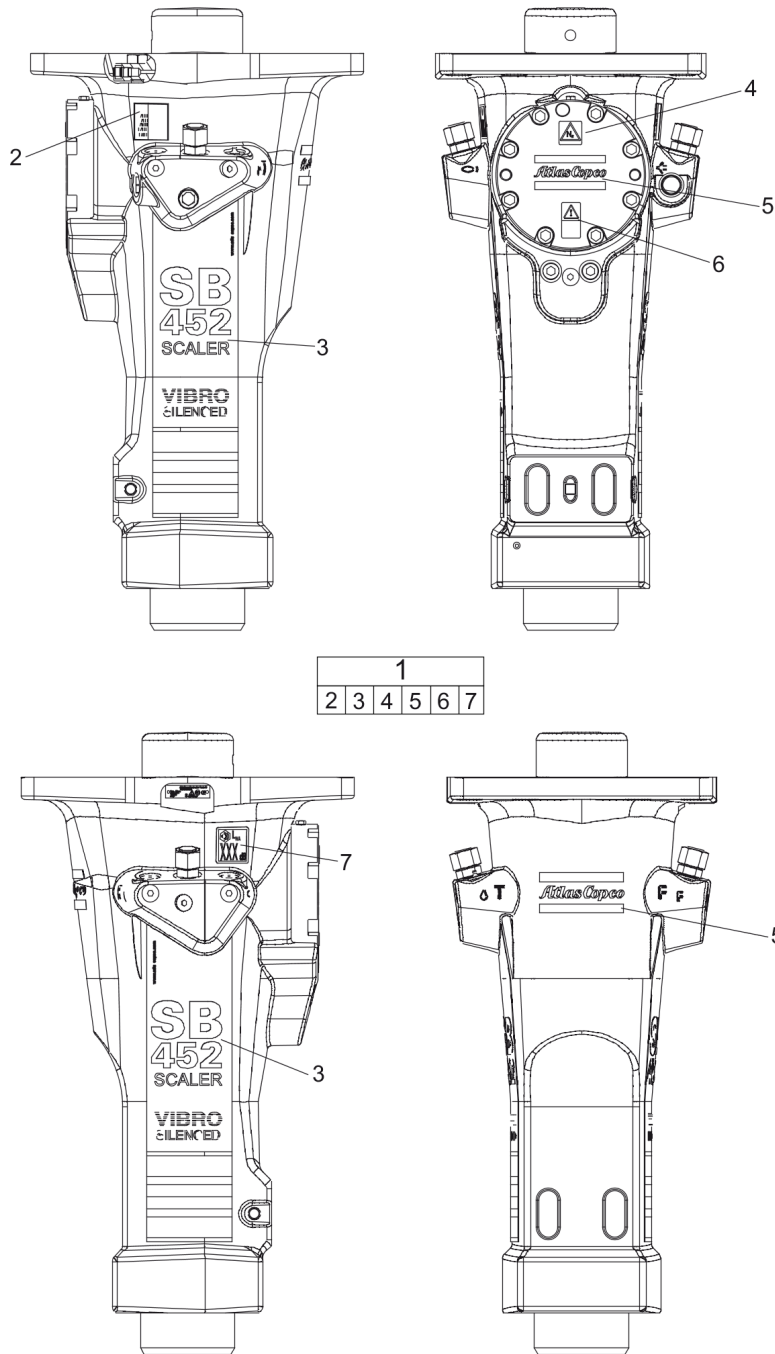
H | 45 kg (99 lb)

Accessories Hydraulic hoses

NO EXPLODED VIEW
AVAILABLE
FOR THIS BOM

Item	Part No.	Name	Qty	L
-	3360995717	Hose, both ends 18 L(M26 x 1.5) length 1500 mm	2	
-	3362235159	Hose, both ends 18 L(M26 x 1.5) length 2000 mm	2	
-	3363083313	Hose, both ends 18 L(M26 x 1.5) length 2400 mm	2	
-	3363098019	Additional fitting kit(needed to fit two hoses to the hydraulic breaker)	1	

Kits Label kit



Item	Part No.	Name	Qty	L
1	3315312793	Label kit	1	
.2	--	AEM sign	1	
.3	--	Product label	2	A
.4	--	Safety label	1	
.5	--	Product label	2	B
.5	--	Product label	2	B
.6	--	Safety label	1	
.6	--	Safety label	1	
.7	--	Sound power label	1	
5	--	Product label	2	B
6	--	Safety label	1	

Comments for Page: Label kit

(L)OCAL REMARKS

A | "SB 452 SCALER"

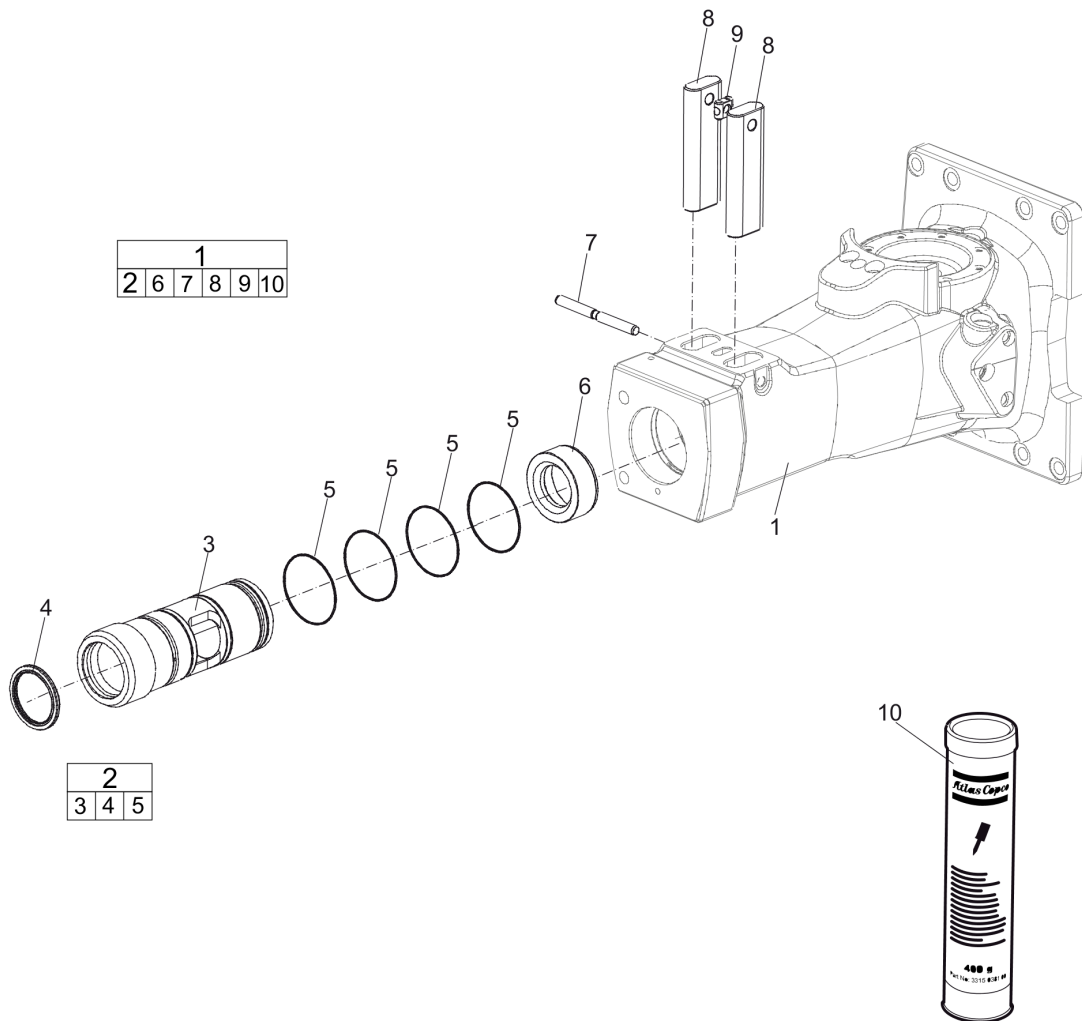
B | "Atlas Copco"

Kits Seal kit

NO EXPLODED VIEW
AVAILABLE
FOR THIS BOM

Item	Part No.	Name	Qty	L
1	3315312790	Seal kit	1	
.5	0663714700	O-ring	4	
.21	3115329002	Seal ring 8 x 14 x 2.4 mm (90 shore), 0.31 x 0.55 x 0.09 in.	1	
.22	0663212000	O-ring 13.3 x 2.4 mm (70 shore), 0.52 x 0.09 in.	1	
.25	0663211400	O-ring 7.3 x 2.4 mm (90 shore), 0.28 x 0.09 in.	1	
.28,38	9125621100	O-ring, 20.35 x 1.78 mm , 0.80 x 0.07 in. (90 shore)	1	
.29,37	0663210421	O-ring, 14.0 x 1.78 mm , 0.55 x 0.07 in. (90 shore)	1	
.30	0661200401	Back-up ring	1	
.32	0664000004	Seal ring	2	
.34	0663210217	O-ring, 18.77 x 1.78 mm, 0.74 x 0.07 in. (90 shore)	2	
.42	3315336700	Plug	1	
.44	0663211491	O-ring, 47.29 x 2.62 mm Polyuretán, 1.86 x 0.10 in.	1	
.45	0663990026	Seal ring, 51.3 x 54.3 x 3 mm, 2.02 x 2.14 x 0.12 in.	2	
.47	0665090014	Seal, SCR 10 x 16 x 2.4 mm	4	
.48	0665909964	Wiper	1	
.49	0665070147	Piston rod seal	1	
.51	0663990032	Seal ring	9	
.53	0665070148	Piston rod seal	1	
.54	0663210417	O-ring, 145.72 x 2.62 mm , 5.7 x 0.10 in. (70 shore)	1	
.58	3315280800	Valve rubber	1	

Kits Lower hammer part kit



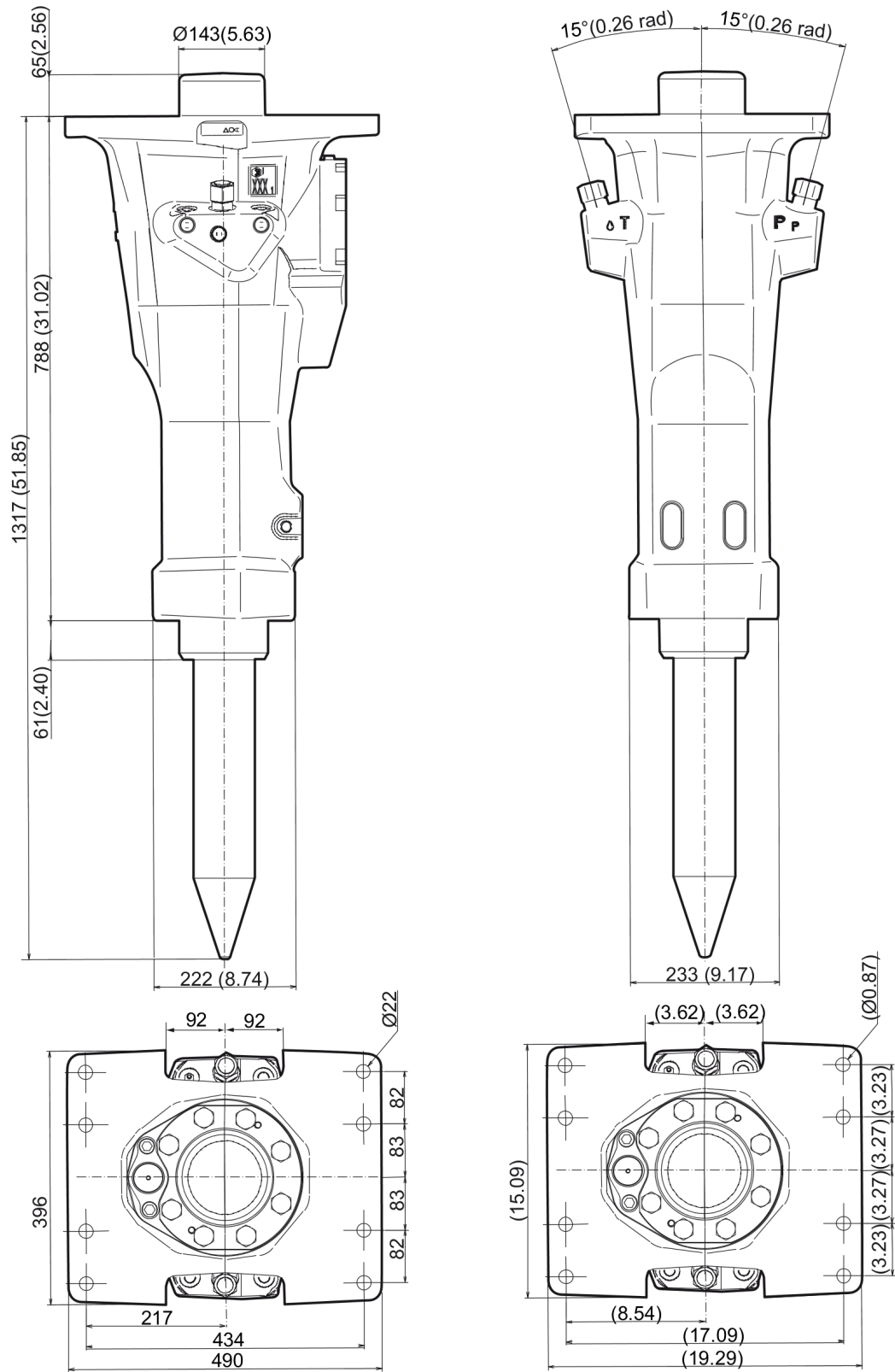
Item	Part No.	Name	Qty	L
1	3315312490	Lower hammer part kit	1	
2	3315312480	Bushing standard, complete	1	
3	---	Bushing	1	
4	3315353600	Scraper ring	1	
5	0663714700	O-ring	4	
6	3315312300	Stop ring	1	
7	3315155800	Lock pin	1	
8	3315155700	Tool retainer	2	
9	3315141900	Lock buffer	1	
10	--	Chisel paste cartridge, 400 g (0.88 lb)	1	

Kits Accumulator repair kit

NO EXPLODED VIEW
AVAILABLE
FOR THIS BOM

Item	Part No.	Name	Qty	L
17	3315303190	Accumulator repair kit	1	
.18	3315303500	Coil spring	1	
.19	3315303201	Diaphragm support	1	
.20	3315416300	Diaphragm	1	
.22	0211196544	Hexagon socket screw M16 x 50 mm Screw with extra high fatigue strength.	8	
.23	0686371805	Plug VSTI R 1/8-ED	1	
.24	3115329002	Seal ring 8 x 14 x 2.4 mm (90 shore), 0.31 x 0.55 x 0.09 in.	1	
.25	0663212000	O-ring 13.3 x 2.4 mm (70 shore), 0.52 x 0.09 in.	1	
.26	3315366000	Charge valve	1	
.27	0101414000	Parallel pin D4 x 25 mm, D4 x 0.98 in.	1	
.28	0663211400	O-ring 7.3 x 2.4 mm (90 shore), 0.28 x 0.09 in.	1	

Dimensions Dimensions (mm)



Refer to Parts Online for the most up to date information. The printed information might be outdated.

Tue May 26 04:51:27 MDT 2015

Any unauthorized use or copying of the contents or any part thereof is prohibited.
This applies in particular to trademarks, model denominations, part numbers, and drawings.

