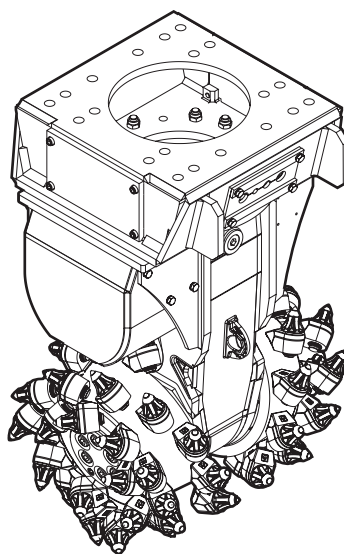


VC 2000

Spare parts list Transverse Drum Cutters

VC 2000 s/n DGR165555 -



General information

This spare parts list applies to the following:

Description

VC 2000 - 0

VC 2000 - 1

VC 2000 - 2

VC 2000 - 3

Use only authorized parts. Any damage or malfunction caused by the use of unauthorized parts is not covered by Warranty or Product Liability. Any unauthorized use or copying of the contents or any part thereof is prohibited. This applies in particular to trademarks, model denominations, part numbers, and drawings.

Instructions for use

This spare parts list contains no safety regulations and is merely intended to assist in the ordering of spare parts.

For information about operating, servicing, or repairing, the relevant Safety and operating instructions must be consulted at all costs.

Please observe the safety instructions listed in the relevant Safety and operating instructions!

Service, repair and wear part kits

Label kit 1
Kit list 3

Mechanical

Transverse Drum Cutter, part 1 (Rotatable upper part) 7
Transverse Drum Cutter, part 1 (Intermediate bracket) 11
Transverse Drum Cutter, part 2 (Rotatable upper part) 15
Transverse Drum Cutter, part 2 (Intermediate bracket) 17
Transverse Drum Cutter, part 3, (Rotatable upper part) 19
Transverse Drum Cutter, part 3 (Intermediate bracket) 22
HATCON 26
Tightening torques 29
Dimensions (Rotatable upper part) 31
Dimensions (Intermediate bracket) 32

Options / accessories

Picks and retainers kits 34
Tools for picks 39
Optional equipment 41

Service, repair and wear part kits Label kit

**NO EXPLODED VIEW
AVAILABLE
FOR THIS BOM**

Item	Part No.	Name	Qty	L
KIT	3311006125	Label kit	1	

Service, repair and wear part kits Kit list

**NO EXPLODED VIEW
AVAILABLE
FOR THIS BOM**

Item	Part No.	Name	Qty	L
KIT	3311006152	Adjustment cover kit	1	
48		Cover	1	
57	3311000582	Allen screw	16	
59	3311000600	O-ring	1	
KIT	3311006153	Seal kit drive shaft	1	
22	3311002937	Allen screw	24	
60	3311000616	O-ring	1	
63	3311000601	Seal	1	
90	3311000537	O-ring	1	
91	3311000581	O-ring	2	
KIT	3311006154	Drive shaft compl.	1	
22	3311002937	Allen screw	24	
45		Drive shaft	1	
49	3311000337	Flange (motor)	1	
50	3311005847	Distance sleeve	1	
51	3311005848	Distance sleeve	1	
57	3311000582	Allen screw	16	
59	3311000600	O-ring	1	
60	3311000616	O-ring	1	
63	3311000601	Seal	1	
KIT	3311002086	Motor complete	1	A
79		Cover (motor)	1	
81		Distribution housing (motor)	1	
82	3311002084	Cam ring	1	A
85		Cylinder block	1	
86	3311000150	Tension pin (motor)	2	
87	3311000502	Hexagon head screw	5	
88	3311000579	Allen screw	14	
89	3311000580	Allen screw	2	
90	3311000537	O-ring	1	
91	3311000581	O-ring	2	
92	3311000151	Fitting sleeve (motor)	2	
KIT	3311001195	Motor complete	1	B
79		Cover (motor)	1	
81		Distribution housing (motor)	1	
82	3311000139	Cam ring	1	B
85		Cylinder block	1	

Refer to the DocMine web page for most up-to-date information. The printed information might be outdated.

Thu Feb 29 10:24:50 UTC 2024

Item	Part No.	Name	Qty	L
86	3311000150	Tension pin (motor)	2	
87	3311000502	Hexagon head screw	5	
88	3311000579	Allen screw	14	
89	3311000580	Allen screw	2	
90	3311000537	O-ring	1	
91	3311000581	O-ring	2	
92	3311000151	Fitting sleeve (motor)	2	
KIT	3311001196	Motor complete	1	C
79		Cover (motor)	1	
81		Distribution housing (motor)	1	
82	3311000140	Cam ring	1	C
85		Cylinder block	1	
86	3311000150	Tension pin (motor)	2	
87	3311000502	Hexagon head screw	5	
88	3311000579	Allen screw	14	
89	3311000580	Allen screw	2	
90	3311000537	O-ring	1	
91	3311000581	O-ring	2	
92	3311000151	Fitting sleeve (motor)	2	
KIT	3311001197	Motor complete	1	D
79		Cover (motor)	1	
81		Distribution housing (motor)	1	
82	3311000141	Cam ring	1	D
85		Cylinder block	1	
86	3311000150	Tension pin (motor)	2	
87	3311000502	Hexagon head screw	5	
88	3311000579	Allen screw	14	
89	3311000580	Allen screw	2	
90	3311000537	O-ring	1	
91	3311000581	O-ring	2	
92	3311000151	Fitting sleeve (motor)	2	
KIT	3311006155	Overpressure cover compl.	1	
79		Cover (motor)	1	
87	3311000502	Hexagon head screw	5	
90	3311000537	O-ring	1	
KIT	3311006156	Wear sleeve kit	1	
36	3311000801	Wear sleeve	60	

Refer to the DocMine web page for most up-to-date information. The printed information might be outdated.

Thu Feb 29 10:24:50 UTC 2024

Item	Part No.	Name	Qty	L
KIT	3311006157	Output unit cpl.	1	
10		Output shaft	1	
11	3311005891	Bushing	10	
12	3311005806	Bevel gear	1	
13		Housing (output shaft)	1	
14	3311000326	Sealing cover	1	
18	3311000767	Inner race (tapered roller bearing)	2	
20	3311000589	Seal	1	
21	3311005919	Allen screw	10	
22	3311002937	Allen screw	12	
24	3311000628	Allen screw	8	
25	3311000591	Allen screw	4	
26	3311000592	Usit-ring	12	
33	3311000744	Allen screw	2	
34	3311000609	Spring washer	2	
KIT	3311006158	Drum fastening kit	1	
66	3311006116	Washer	12	
67	3311006117	Clamping sleeve	12	
75	3311006121	Allen screw	12	
78	3311002937	Allen screw	8	
95	3311000533	Pair of lock washers	8	
KIT	3311006159	Seal kit output shaft	1	
-	3311006158	Drum fastening kit	1	
14	3311000326	Sealing cover	2	
20	3311000589	Seal	2	
24	3311000628	Allen screw	16	
25	3311000591	Allen screw	8	
26	3311000592	Usit-ring	24	
28	3311000594	O-ring	2	

Comments for Page: Kit list

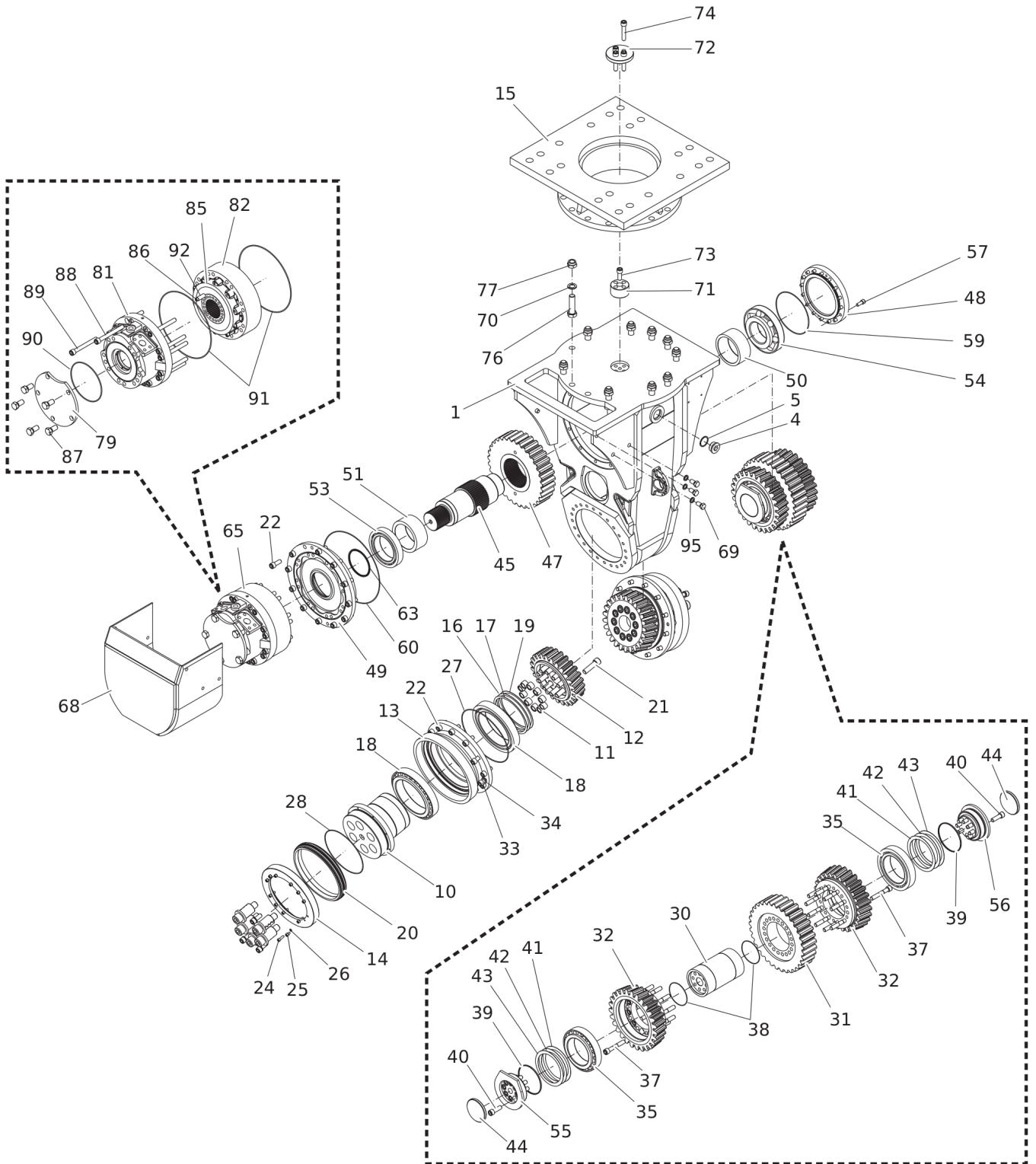
A | VC 2000 - 0

B | VC 2000 - 1

C | VC 2000 - 2

D | VC 2000 - 3

Mechanical Transverse Drum Cutter, part 1 (Rotatable upper part)



Refer to the DocMine web page for most up-to-date information. The printed information might be outdated.
Thu Feb 29 10:24:52 UTC 2024

Item	Part No.	Name	Qty	L
1	3311005838	Gear housing	1	
4	3311000583	Plug	2	
5	3311000584	Seal	2	
10		Output shaft	2	J
11	3311005891	Bushing	20	
12	3311005806	Bevel gear	2	
13		Housing (output shaft)	2	J
14	3311000326	Sealing cover	2	
15	3311002690	Rotatable upper part	1	
16	3311005892	Spacer	6	
17	3311005893	Spacer	6	
18	3311000767	Inner race (tapered roller bearing)	4	
19	3311005894	Spacer	6	
20	3311000589	Seal	2	
21	3311005919	Allen screw	20	
22	3311002937	Allen screw	36	
24	3311000628	Allen screw	16	
25	3311000591	Allen screw	8	
26	3311000592	Usit-ring	24	
27	3311000593	O-ring	2	
28	3311000594	O-ring	2	
30	3311005842	Idle cogwheel pin	1	
31	3311005804	Idle cogwheel	1	
32	3311005805	Bevel gear	2	
33	3311000744	Allen screw	4	
34	3311000609	Spring washer	4	
35	3311000756	Tapered roller bearing	2	
37	3311005885	Bolt	20	
38	3311005898	O-ring	2	
39	3311005899	Seal	2	
40	3311000548	Allen screw	16	
41	3311005895	Spacer	5	
42	3311005896	Spacer	5	
43	3311005897	Spacer	5	
44	3311005890	Cover	2	
45		Drive shaft	1	G
47	3311005803	Spur gear	1	

Refer to the DocMine web page for most up-to-date information. The printed information might be outdated.

Thu Feb 29 10:24:52 UTC 2024

Item	Part No.	Name	Qty	L
48		Cover	1	F
49	3311000337	Flange (motor)	1	
50	3311005847	Distance sleeve	1	
51	3311005848	Distance sleeve	1	
53	3311000598	Tapered roller bearing	1	
54	3311000599	Tapered roller bearing	1	
55	3311005843	Cover (left)	1	
56	3311005844	Cover (right)	1	
57	3311000582	Allen screw	16	
59	3311000600	O-ring	1	
60	3311000616	O-ring	1	
63	3311000601	Seal	1	
65	3311002086	Motor complete	1	A, E
65	3311001195	Motor complete	1	B, E
65	3311001196	Motor complete	1	C, E
65	3311001197	Motor complete	1	D, E
68	3311005853	Cover (motor)	1	
69	3311000524	Hexagon head screw	6	
70	3311000534	Pair of lock washers	24	
71	3311000341	Centering pin	1	
72	3311000342	Plate (centering pin)	1	
73	3311002937	Allen screw	1	
74	3311001065	Allen screw	4	
76	3311001235	Hexagon head screw	14	
77	3311000664	Hexagonal nut	14	
79		Cover (motor)	1	H, I
81		Distribution housing (motor)	1	H
82	3311002084	Cam ring	1	A
82	3311000139	Cam ring	1	B
82	3311000140	Cam ring	1	C
82	3311000141	Cam ring	1	D
85		Cylinder block	1	H
86	3311000150	Tension pin (motor)	2	
87	3311000502	Hexagon head screw	5	
88	3311000579	Allen screw	14	
89	3311000580	Allen screw	2	
90	3311000537	O-ring	1	

Refer to the DocMine web page for most up-to-date information. The printed information might be outdated.

Thu Feb 29 10:24:52 UTC 2024

Item	Part No.	Name	Qty	L
91	3311000581	O-ring	2	
92	3311000151	Fitting sleeve (motor)	2	
95	3311000533	Pair of lock washers	8	

Comments for Page: Transverse Drum Cutter, part 1 (Rotatable upper part)

A | VC 2000 - 0

B | VC 2000 - 1

C | VC 2000 - 2

D | VC 2000 - 3

E | with item 79-92

F | see Adjustment cover kit

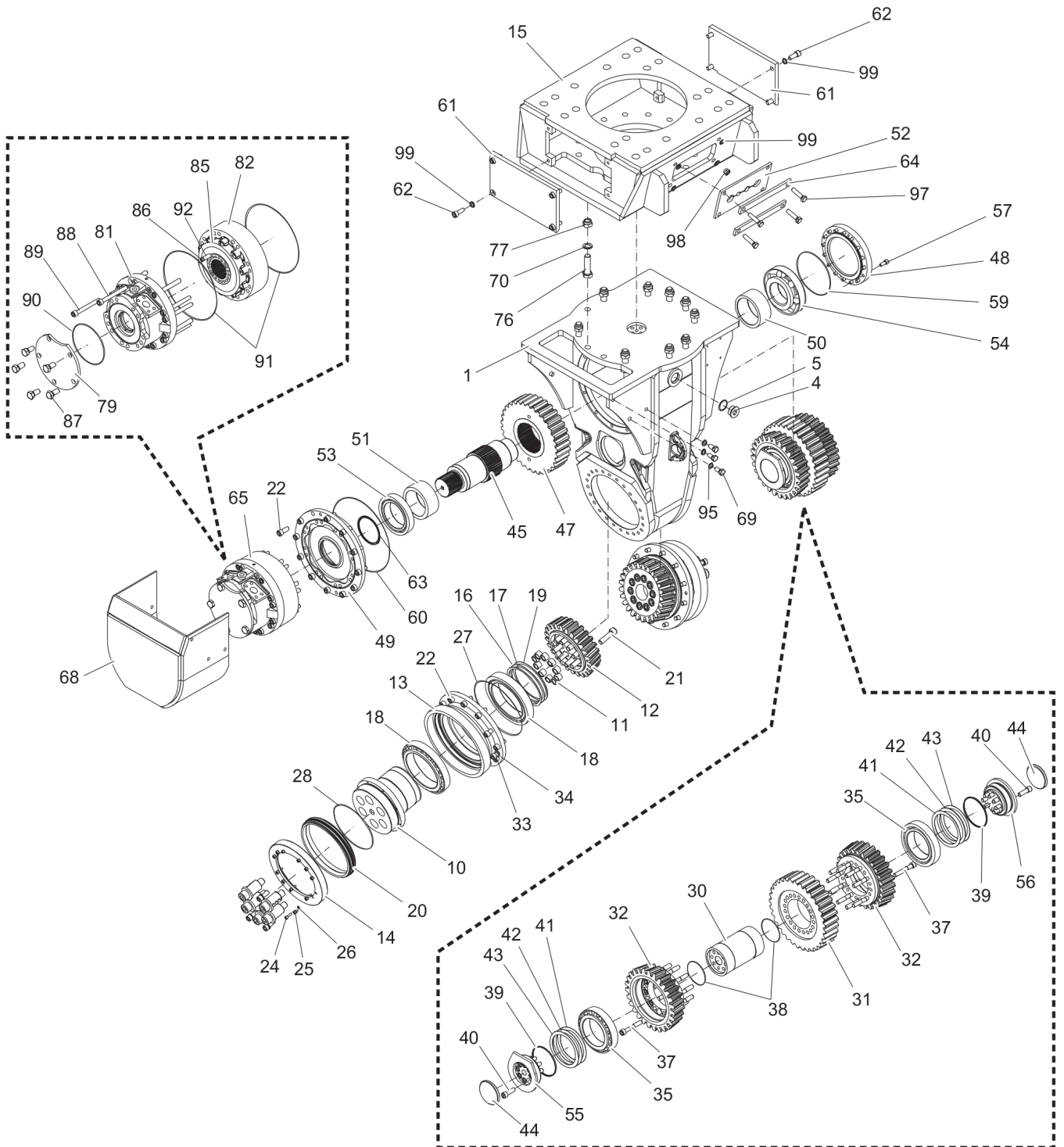
G | see Drive shaft compl.

H | see Motor complete

I | see Overpressure cover compl.

J | see Output unit cpl.

Mechanical Transverse Drum Cutter, part 1 (Intermediate bracket)



Refer to the DocMine web page for most up-to-date information. The printed information might be outdated.
Thu Feb 29 10:24:53 UTC 2024

Item	Part No.	Name	Qty	L
1	3311005838	Gear housing	1	
4	3311000583	Plug	2	
5	3311000584	Seal	2	
10		Output shaft	2	J
11	3311005891	Bushing	20	
12	3311005806	Bevel gear	2	
13		Housing (output shaft)	2	J
14	3311000326	Sealing cover	2	
15	3311005625	Intermediate bracket	1	
16	3311005892	Spacer	6	
17	3311005893	Spacer	6	
18	3311000767	Inner race (tapered roller bearing)	4	
19	3311005894	Spacer	6	
20	3311000589	Seal	2	
21	3311005919	Allen screw	20	
22	3311002937	Allen screw	36	
24	3311000628	Allen screw	16	
25	3311000591	Allen screw	8	
26	3311000592	Usit-ring	24	
27	3311000593	O-ring	2	
28	3311000594	O-ring	2	
30	3311005842	Idle cogwheel pin	1	
31	3311005804	Idle cogwheel	1	
32	3311005805	Bevel gear	2	
33	3311000744	Allen screw	4	
34	3311000609	Spring washer	4	
35	3311000756	Tapered roller bearing	2	
37	3311005885	Bolt	20	
38	3311005898	O-ring	2	
39	3311005899	Seal	2	
40	3311000548	Allen screw	16	
41	3311005895	Spacer	5	
42	3311005896	Spacer	5	
43	3311005897	Spacer	5	
44	3311005890	Cover	2	
45		Drive shaft	1	G
47	3311005803	Spur gear	1	

Refer to the DocMine web page for most up-to-date information. The printed information might be outdated.

Thu Feb 29 10:24:53 UTC 2024

Item	Part No.	Name	Qty	L
48		Cover	1	F
49	3311000337	Flange (motor)	1	
50	3311005847	Distance sleeve	1	
51	3311005848	Distance sleeve	1	
52	3311005634	Rubber plate	1	
53	3311000598	Tapered roller bearing	1	
54	3311000599	Tapered roller bearing	1	
55	3311005843	Cover (left)	1	
56	3311005844	Cover (right)	1	
57	3311000582	Allen screw	16	
59	3311000600	O-ring	1	
60	3311000616	O-ring	1	
61	3311005726	Cover	2	
62	3311000551	Allen screw	8	
63	3311000601	Seal	1	
64	3311005633	Flat steel	2	
65	3311002086	Motor complete	1	A, E
65	3311001195	Motor complete	1	B, E
65	3311001196	Motor complete	1	C, E
65	3311001197	Motor complete	1	D, E
68	3311005853	Cover (motor)	1	
69	3311000524	Hexagon head screw	6	
70	3311000534	Pair of lock washers	24	
76	3311001235	Hexagon head screw	14	
77	3311000664	Hexagonal nut	14	
79		Cover (motor)	1	H, I
81		Distribution housing (motor)	1	H
82	3311002084	Cam ring	1	A
82	3311000139	Cam ring	1	B
82	3311000140	Cam ring	1	C
82	3311000141	Cam ring	1	D
85		Cylinder block	1	H
86	3311000150	Tension pin (motor)	2	
87	3311000502	Hexagon head screw	5	
88	3311000579	Allen screw	14	
89	3311000580	Allen screw	2	
90	3311000537	O-ring	1	

Refer to the DocMine web page for most up-to-date information. The printed information might be outdated.

Thu Feb 29 10:24:53 UTC 2024

Item	Part No.	Name	Qty	L
91	3311000581	O-ring	2	
92	3311000151	Fitting sleeve (motor)	2	
95	3311000533	Pair of lock washers	8	
97	3311000666	Allen screw	4	
98	3311006122	Lock nut	4	
99	3311000533	Pair of lock washers	12	

Comments for Page: Transverse Drum Cutter, part 1 (Intermediate bracket)

A | VC 2000 - 0

B | VC 2000 - 1

C | VC 2000 - 2

D | VC 2000 - 3

E | with item 79-92

F | see Adjustment cover kit

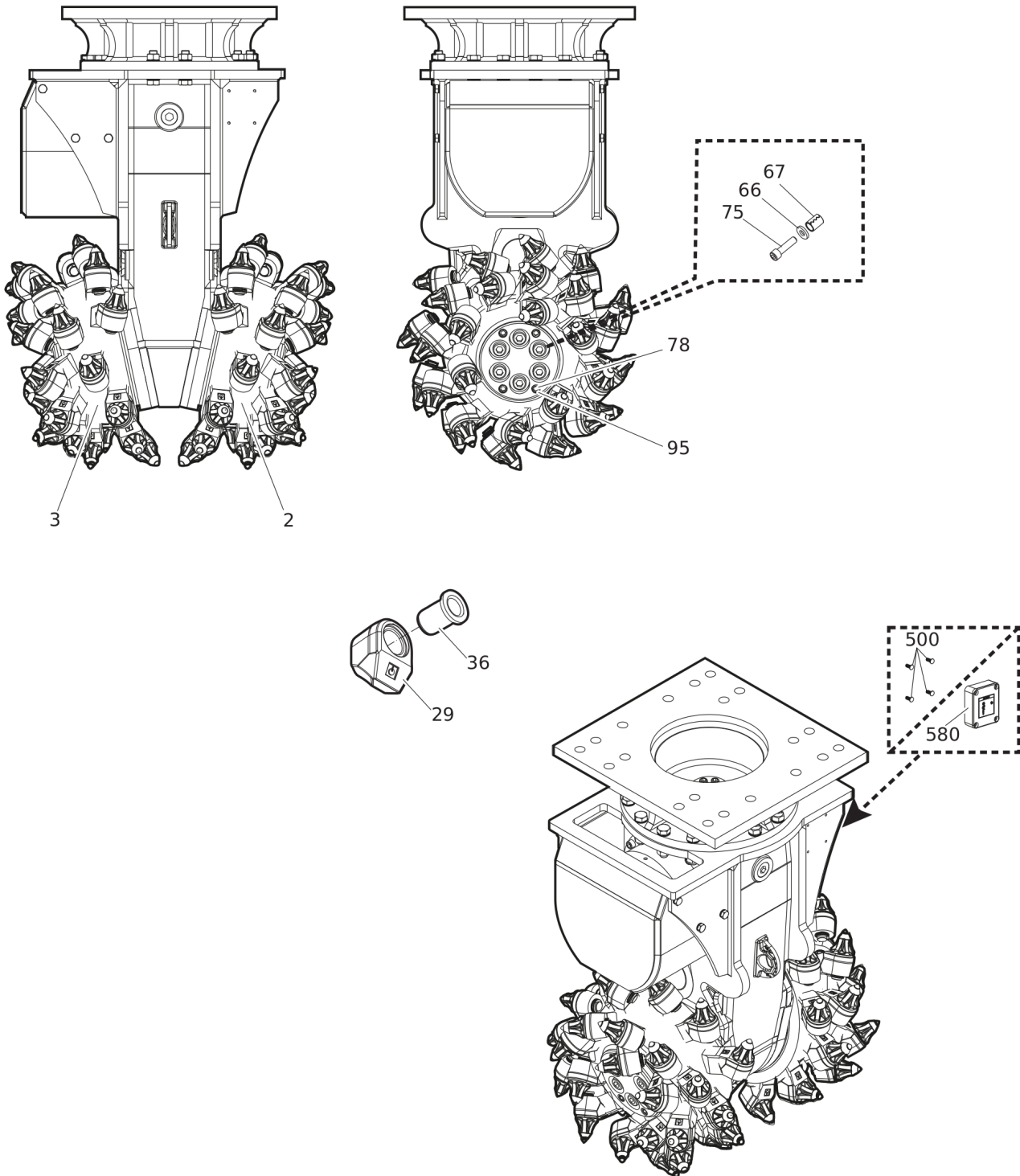
G | see Drive shaft compl.

H | see Motor complete

I | see Overpressure cover compl.

J | see Output unit cpl.

Mechanical Transverse Drum Cutter, part 2 (Rotatable upper part)



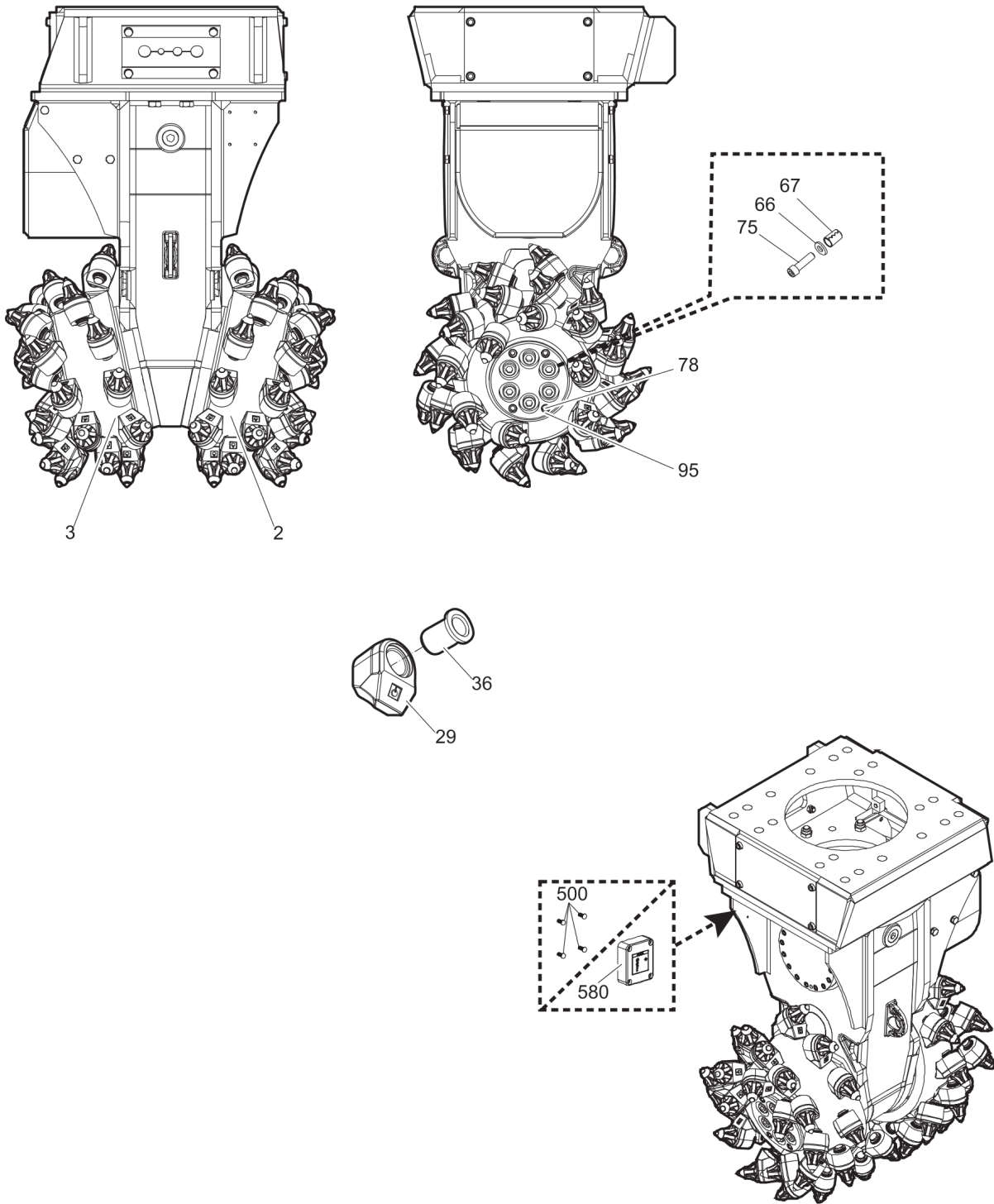
Item	Part No.	Name	Qty	L
2	3311005977	Cutter drum (left)	1	
3	3311005979	Cutter drum (right/motor)	1	
29	3311000792	Pick box	60	
36	3311000801	Wear sleeve	60	
66	3311006116	Washer	12	
67	3311006117	Clamping sleeve	12	
75	3311006121	Allen screw	12	
78	3311002937	Allen screw	8	
95	3311000533	Pair of lock washers	6	
500	3315439145	PROTECTIVE PLUG HATCON	4	A
580		HATCON	1	B

Comments for Page: Transverse Drum Cutter, part 2 (Rotatable upper part)

A | only for drum cutters without HATCON

B | only for drum cutters with HATCON / see separate chapter

Mechanical Transverse Drum Cutter, part 2 (Intermediate bracket)



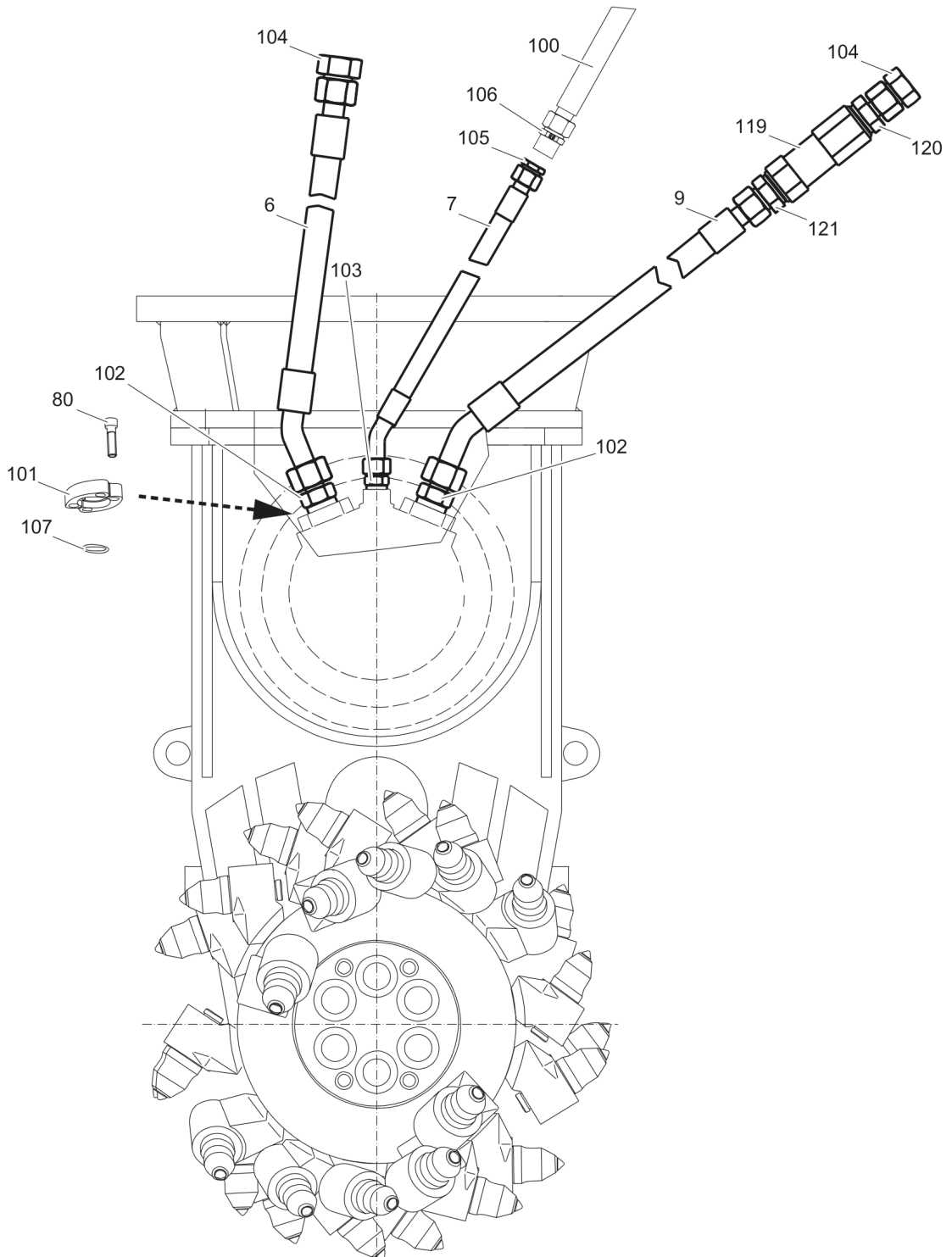
Item	Part No.	Name	Qty	L
2	3311005977	Cutter drum (left)	1	
3	3311005979	Cutter drum (right/motor)	1	
29	3311000792	Pick box	60	
36	3311000801	Wear sleeve	60	
66	3311006116	Washer	12	
67	3311006117	Clamping sleeve	12	
75	3311006121	Allen screw	12	
78	3311002937	Allen screw	8	
95	3311000533	Pair of lock washers	6	
500	3315439145	PROTECTIVE PLUG HATCON	4	A
580		HATCON	1	B

Comments for Page: Transverse Drum Cutter, part 2 (Intermediate bracket)

A | only for drum cutters without HATCON

B | only for drum cutters with HATCON / see separate chapter

Mechanical Transverse Drum Cutter, part 3, (Rotatable upper part)



Refer to the DocMine web page for most up-to-date information. The printed information might be outdated.

Thu Feb 29 10:24:56 UTC 2024

Item	Part No.	Name	Qty	L
KIT	3311001200	Hose kit metric, 2.5 m (Standard)	1	
6	3311000165	Hydraulic hose	1	
7	3311000244	Hydraulic hose	1	
9	3311000165	Hydraulic hose	1	
80	3311000536	Allen screw	8	
100	3311001582	Hydraulic hose	1	
101	3311000168	Flange	2	
102	3311000086	Fitting	2	
103	3311000099	Fitting	1	
104	3311000118	Plug	2	
105	3311000119	Plug	1	
106	3311000120	Fitting	1	
107	3311000556	O-ring	2	
119	3311002965	Check valve	1	
120	3311000085	Fitting	1	
121	3311000086	Fitting	1	
KIT	3311004150	Hose kit JIC, 2.5 m (Optional)	1	
6	3311004131	Hydraulic hose	1	
7	3311002208	Hydraulic hose	1	
9	3311004151	Hydraulic hose	1	
80	3311000536	Allen screw	8	
100	3311002209	Hydraulic hose	1	
101	3311000170	Flange	4	
103	3311002210	Fitting	1	
104	3311002745	Plug	2	
105	3311002747	Plug	1	
106	3311002211	Fitting	1	
107	3311000556	O-ring	2	
119	3311002965	Check valve	1	
120	3311002744	Fitting	1	
121	3311003016	Fitting	1	
KIT	3311003887	Hose kit metric, 3.3 m (Optional)	1	
6	3311003136	Hydraulic hose	1	
7	3311003137	Hydraulic hose	1	
9	3311003136	Hydraulic hose	1	
80	3311000536	Allen screw	8	
100	3311001582	Hydraulic hose	1	

Refer to the DocMine web page for most up-to-date information. The printed information might be outdated.

Thu Feb 29 10:24:56 UTC 2024

Item	Part No.	Name	Qty	L
101	3311000168	Flange	2	
102	3311000086	Fitting	2	
103	3311000099	Fitting	1	
104	3311000118	Plug	2	
105	3311000119	Plug	1	
106	3311000120	Fitting	1	
107	3311000556	O-ring	2	
119	3311002965	Check valve	1	
120	3311000085	Fitting	1	
121	3311000086	Fitting	1	
KIT	3311004179	Hose kit BSP, 3.3 m (Optional)	1	
6	3311004145	Hydraulic hose	1	
7	3311004178	Hydraulic hose	1	
9	3311004146	Hydraulic hose	1	
80	3311000536	Allen screw	8	
100	3311004015	Hydraulic hose	1	
101	3311000170	Flange	4	
103	3311000099	Fitting	1	
104	3311004016	Plug	2	
105	3311003877	Plug	1	
106	3311004017	Fitting	1	
107	3311000556	O-ring	2	
119	3311002965	Check valve	1	
120	3311004019	Fitting	1	
121	3311004020	Fitting	2	

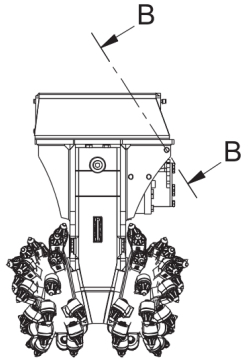
Comments for Page: Transverse Drum Cutter, part 3, (Rotatable upper part)

(L)OCAL REMARKS

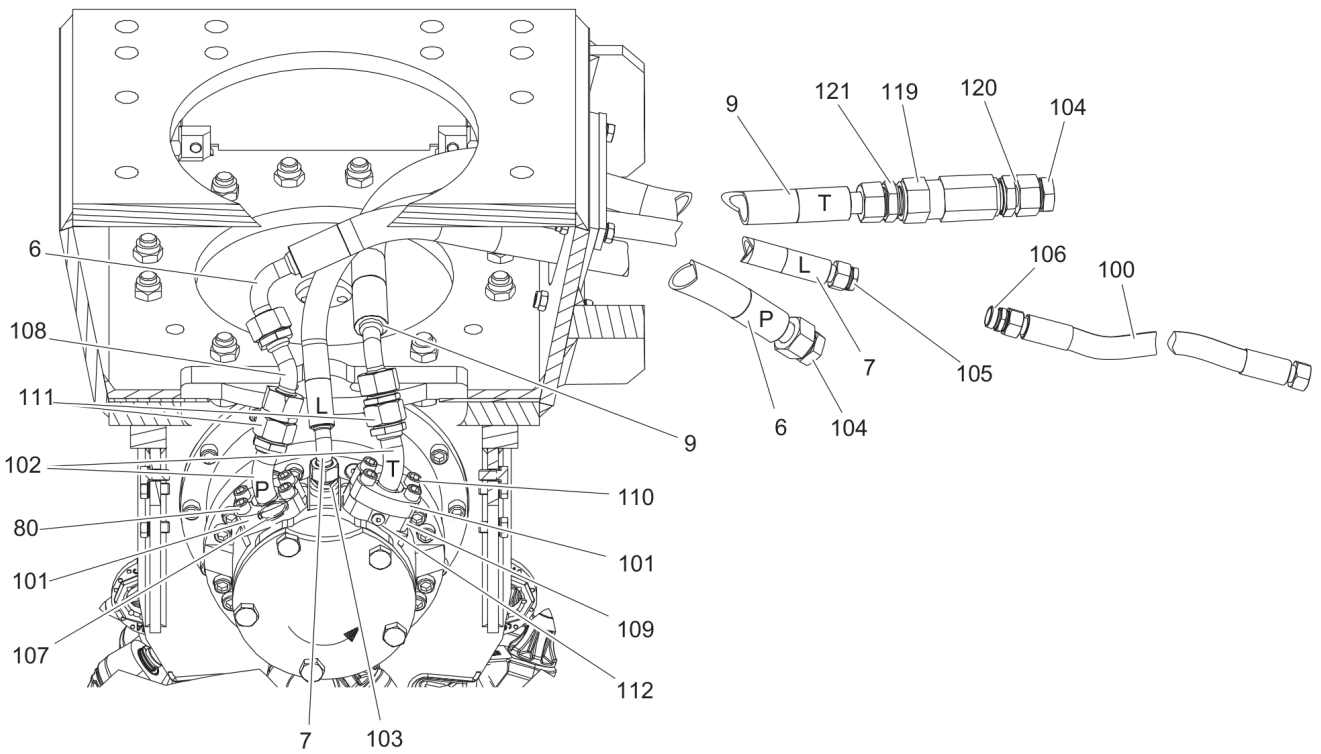
A | see chapter Options / accessories

This page intentionally left blank

Mechanical Transverse Drum Cutter, part 3 (Intermediate bracket)



B-B



Item	Part No.	Name	Qty	L
KIT	3311006140	Hose kit metric, 2.5 m (Standard)	1	
6	3311005779	Hydraulic hose	1	
7	3311000244	Hydraulic hose	1	
9	3311000165	Hydraulic hose	1	
80	3311000536	Allen screw	4	
100	3311001582	Hydraulic hose	1	
101	3311000170	Flange	4	
102	3311005778	Fitting	2	
103	3311000099	Fitting	1	
104	3311000118	Plug	2	
105	3311000119	Plug	1	
106	3311000120	Fitting	1	
107	3311000556	O-ring	3	
108	3311002886	Fitting	1	
109	3311001231	Flange	1	
110	3311000552	Allen screw	4	
111	3311002878	Fitting	2	
112	3311002599	Threaded plug	1	
119	3311002965	Check valve	1	
120	3311000085	Fitting	1	
121	3311000086	Fitting	1	
KIT	3311006146	Hose kit JIC, 2.5 m (Optional)	1	
6	3311006145	Hydraulic hose	1	
7	3311002208	Hydraulic hose	1	
9	3311005878	Hydraulic hose	1	
80	3311000536	Allen screw	4	
100	3311002209	Hydraulic hose	1	
101	3311000170	Flange	4	
102	3311005778	Fitting	2	
103	3311002210	Fitting	1	
104	3311002745	Plug	2	
105	3311002747	Plug	1	
106	3311002211	Fitting	1	
107	3311000556	O-ring	3	
108	3311002886	Fitting	1	
109	3311001231	Flange	1	
110	3311000552	Allen screw	4	

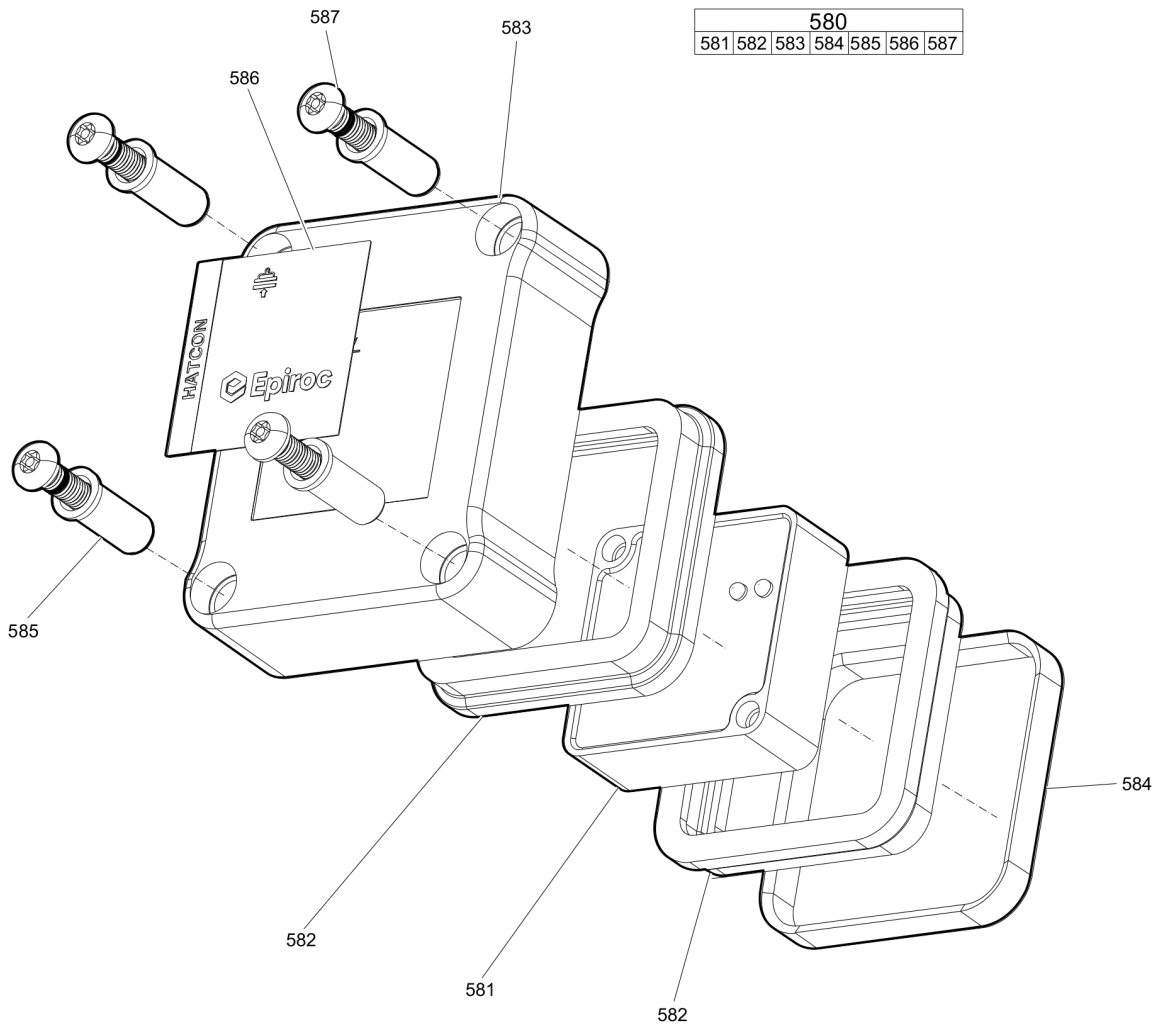
Refer to the DocMine web page for most up-to-date information. The printed information might be outdated.

Thu Feb 29 10:24:57 UTC 2024

Item	Part No.	Name	Qty	L
111	3311002878	Fitting	2	
112	3311002599	Threaded plug	1	
119	3311002965	Check valve	1	
120	3311002744	Fitting	1	
121	3311003016	Fitting	1	

This page intentionally left blank

Mechanical HATCON



Item	Part No.	Name	Qty	L
580(581-587)		HATCON	1	A
581		TRACKING MODULE HATCON	1	
582	3315439130	DAMPER HATCON	2	
583	3315439110	HOUSING TYPE 1 HATCON	1	
584	3315439140	LOCK RING HATCON	1	
585	3315439120	SLEEVE HATCON	4	
586	3315439100	PRODUCT LABEL HATCON	1	
587	3315442600	SCREW HATCON	4	

Comments for Page: HATCON

A | part number see chapter "Optional equipment"

Mechanical Tightening torques

NO EXPLODED VIEW
AVAILABLE
FOR THIS BOM

Item	Part No.	Name	Qty	L
75	-	Allen screw - 560 Nm (413 ft lbf)	-	A
76	-	Hexagon head screw - 415 Nm (306 ft lbf)	-	B
587	-	SCREW HATCON - 22 Nm (16 ft lbf)	-	C

Comments for Page: Tightening torques

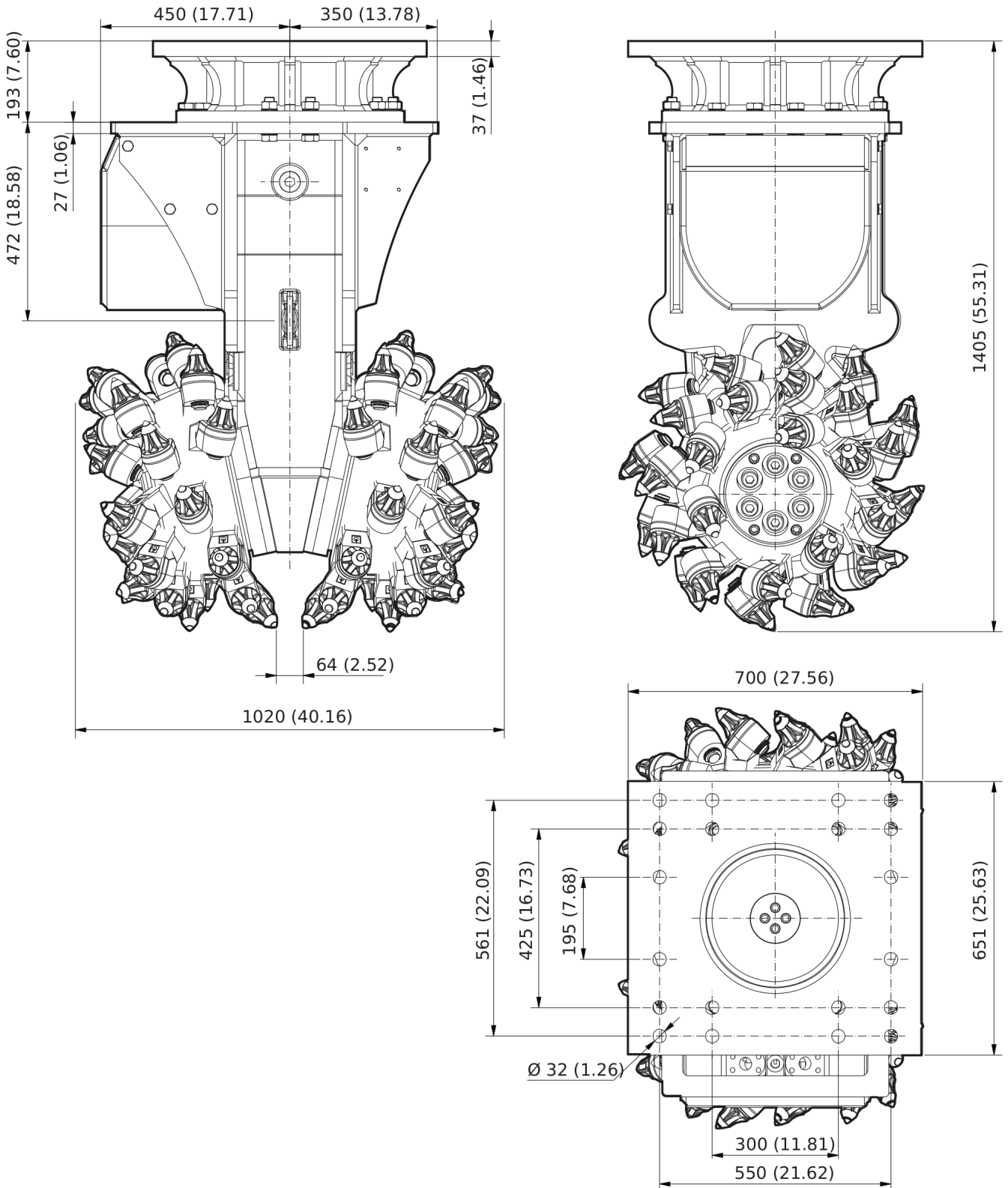
(L)OCAL REMARKS

A | Allen key size 19

B | Open-ended wrench size 36

C | Security bit HATCON

Mechanical Dimensions (Rotatable upper part)

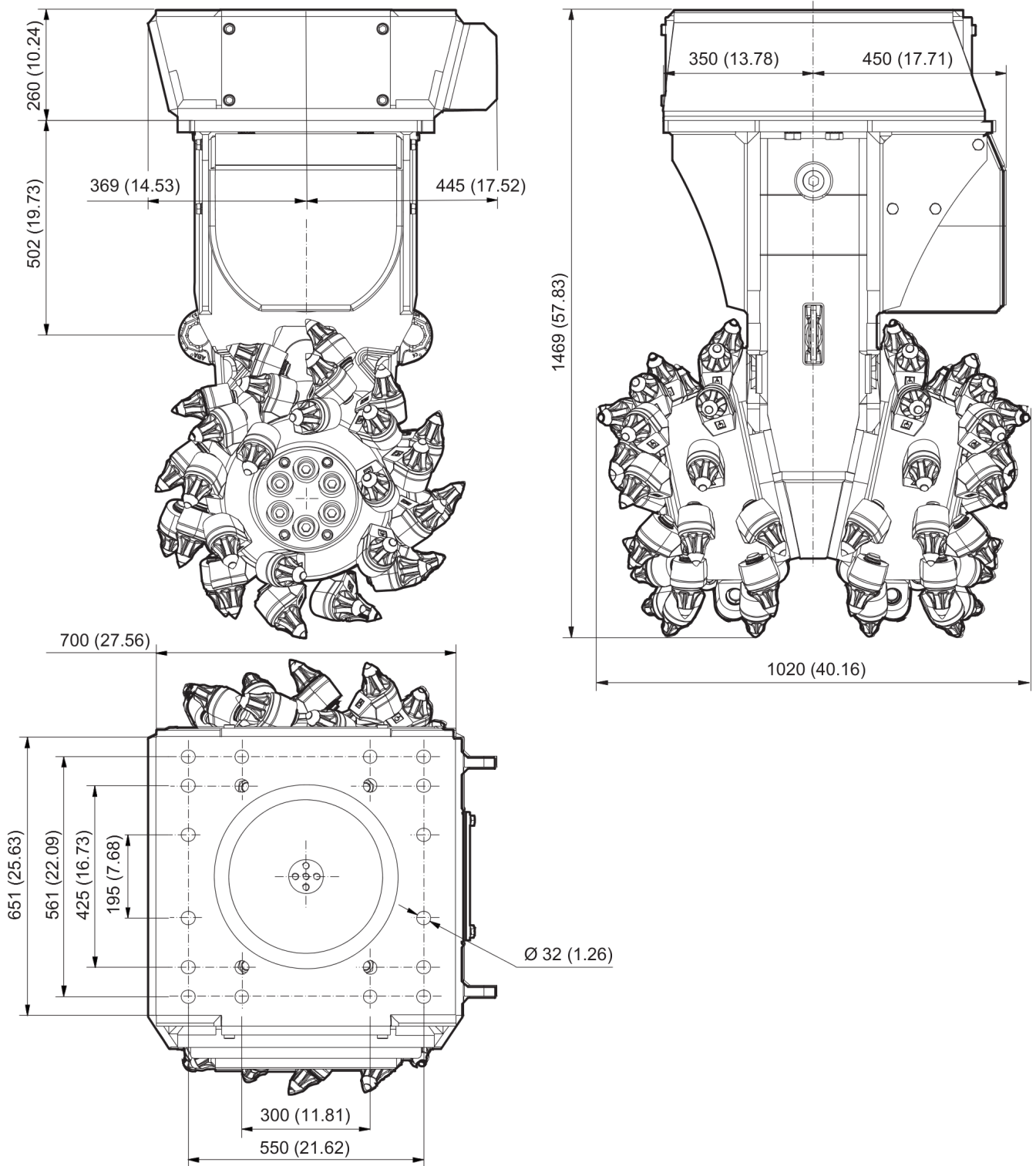


Refer to the DocMine web page for most up-to-date information. The printed information might be outdated.

Thu Feb 29 10:24:59 UTC 2024

This page intentionally left blank

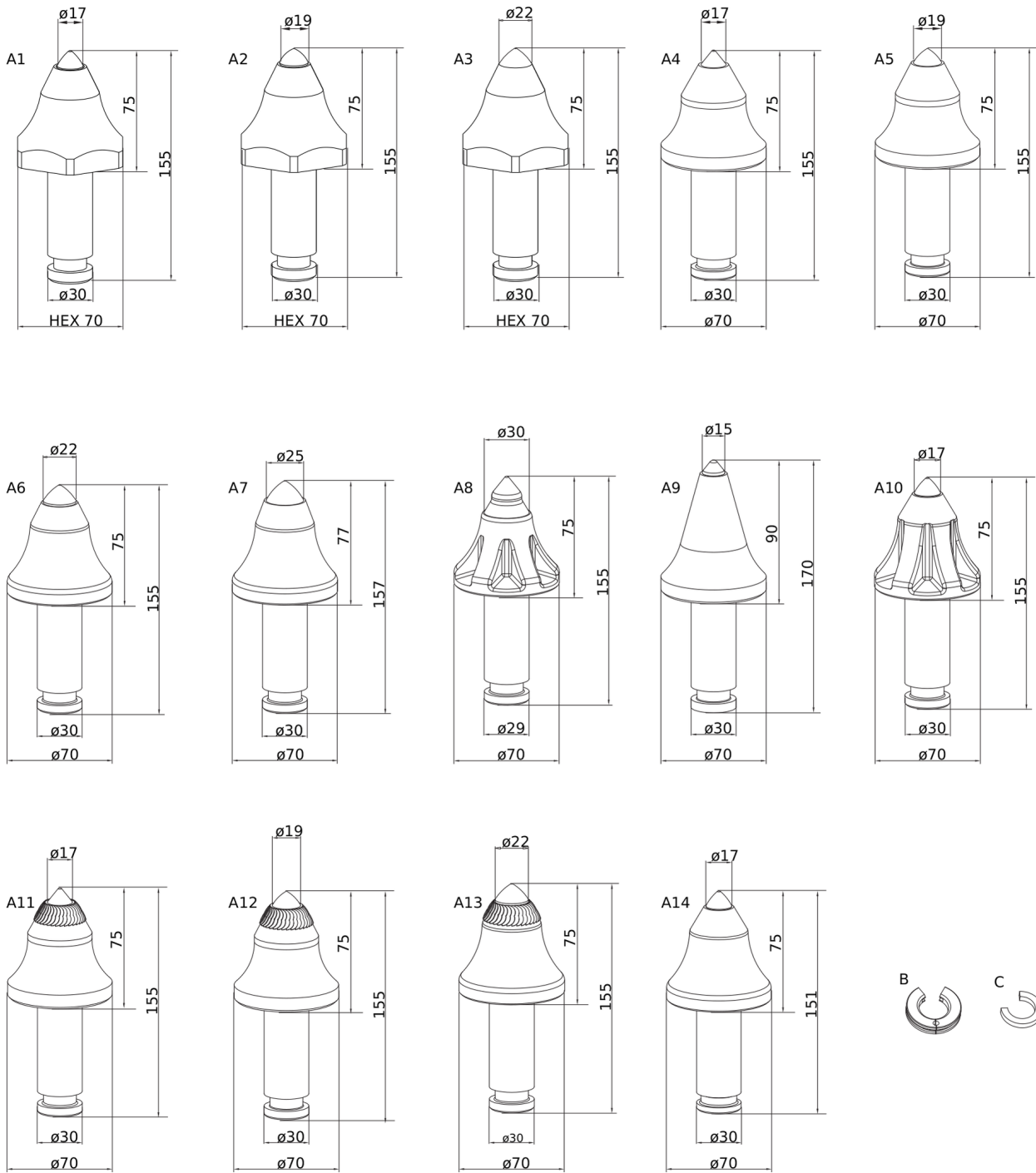
Mechanical Dimensions (Intermediate bracket)



Refer to the DocMine web page for most up-to-date information. The printed information might be outdated.
Thu Feb 29 10:25:00 UTC 2024

This page intentionally left blank

Options / accessories Picks and retainers kits



Item	Part No.	Name	Qty	L
1	3311006195	Picks and retainers kit	1	
A1		HexPick 17/30	10	
B	3311000978	Quick snap	10	
2	3311006298	Picks and retainers kit	1	
A1		HexPick 17/30	10	
C	3311002869	Retainer clip	10	
3	3311006196	Picks and retainers kit	1	
A2		HexPick 19/30	10	
B	3311000978	Quick snap	10	
4	3311006299	Picks and retainers kit	1	
A2		HexPick 19/30	10	
C	3311002869	Retainer clip	10	
5	3311006351	Picks and retainers kit	10	
A3		HexPick 22/30	10	
C	3311002869	Retainer clip	10	
6	3311004575	Picks and retainers kit	1	
A4		ER17/75/70/30 Q	10	
B	3311000978	Quick snap	10	
7	3311004606	Picks and retainers kit	1	
A4		ER17/75/70/30 Q	10	
C	3311002869	Retainer clip	10	
8	3311004576	Picks and retainers kit	1	
A5		ER19/75/70/30 Q	10	
B	3311000978	Quick snap	10	
9	3311004607	Picks and retainers kit	1	
A5		ER19/75/70/30 Q	10	
C	3311002869	Retainer clip	10	
10	3311004577	Picks and retainers kit	1	
A6		ER22/75/70/30 Q	10	
B	3311000978	Quick snap	10	
11	3311004608	Picks and retainers kit	1	
A6		ER22/75/70/30 Q	10	
C	3311002869	Retainer clip	10	
12	3311004578	Picks and retainers kit	1	
A7		ER25/75/70/30 Q	8	
B	3311000978	Quick snap	8	
13	3311004609	Picks and retainers kit	1	

Refer to the DocMine web page for most up-to-date information. The printed information might be outdated.

Thu Feb 29 10:25:00 UTC 2024

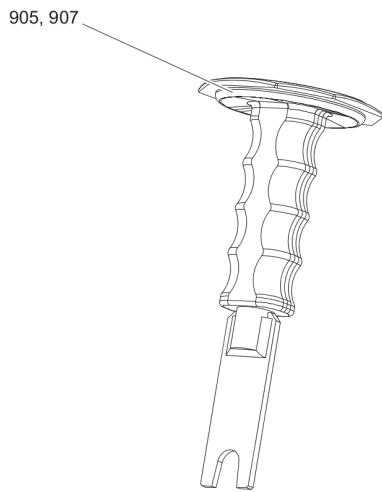
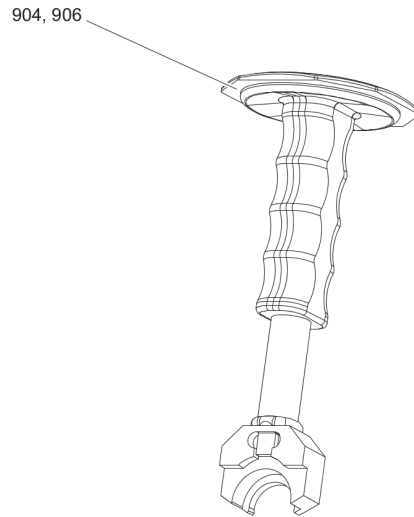
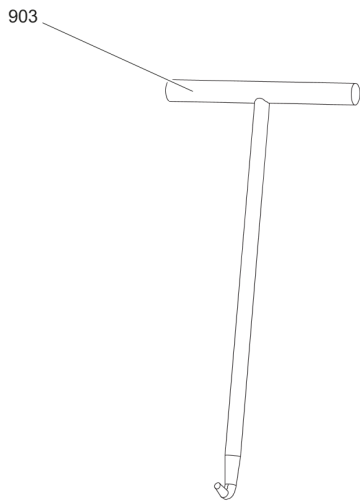
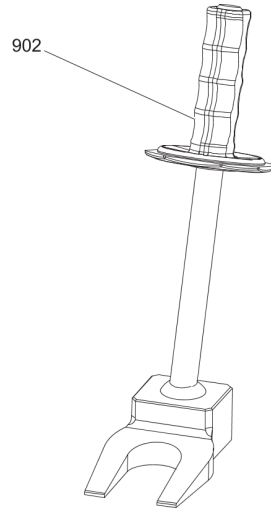
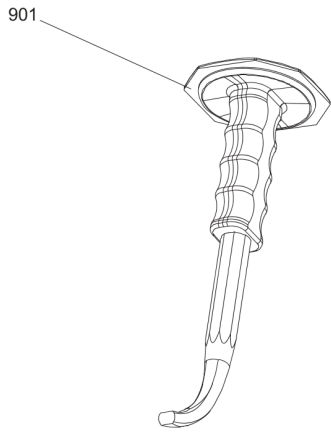
Item	Part No.	Name	Qty	L
A7		ER25/75/70/30 Q	8	
C	3311002869	Retainer clip	8	
14	3311004579	Picks and retainers kit	1	
A8		ER30/77/70/30 Q	10	
B	3311000978	Quick snap	10	
15	3311004613	Picks and retainers kit	1	
A8		ER30/77/70/30 Q	10	
C	3311002869	Retainer clip	10	
16	3311004580	Picks and retainers kit	1	
A9		ER15/90/70/30 Q	10	
B	3311000978	Quick snap	10	
17	3311004614	Picks and retainers kit	1	
A9		ER15/90/70/30 Q	10	
C	3311002869	Retainer clip	10	
18	3311004581	Picks and retainers kit	1	
A10		ER17/75/70/30 QE	10	
B	3311000978	Quick snap	10	
19	3311004615	Picks and retainers kit	1	
A10		ER17/75/70/30 QE	10	
C	3311002869	Retainer clip	10	
20	3311004582	Picks and retainers kit	1	
A11		ER17/75/70/30 PQ	10	
B	3311000978	Quick snap	10	
21	3311004616	Picks and retainers kit	1	
A11		ER17/75/70/30 PQ	10	
C	3311002869	Retainer clip	10	
22	3311004583	Picks and retainers kit	1	
A12		ER19/75/70/30 PQ	10	
B	3311000978	Quick snap	10	
23	3311004617	Picks and retainers kit	1	
A12		ER19/75/70/30 PQ	10	
C	3311002869	Retainer clip	10	
24	3311004584	Picks and retainers kit	1	
A13		ER22/75/70/30 PQ	10	
B	3311000978	Quick snap	10	
20	3311004618	Picks and retainers kit	1	
A13		ER22/75/70/30 PQ	10	

Refer to the DocMine web page for most up-to-date information. The printed information might be outdated.

Thu Feb 29 10:25:00 UTC 2024

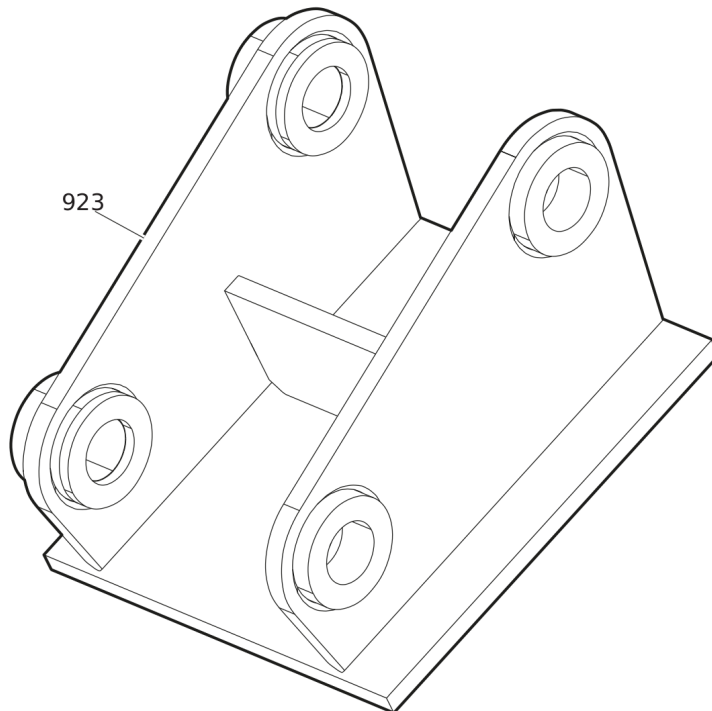
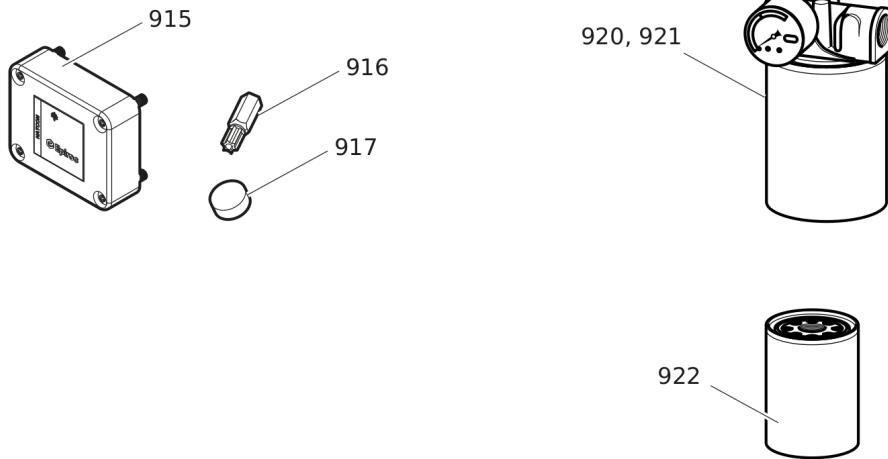
Item	Part No.	Name	Qty	L
C	3311002869	Retainer clip	10	
21	3311004585	Picks and retainers kit	1	
A14		ER17/75/70/30 C	10	
C	3311002869	Retainer clip	10	

Options / accessories Tools for picks



Item	Part No.	Name	Qty	L
901	3311000989	Knock out tool	1	
902	3311002872	Knock out tool for stuck picks	1	
903	3311000980	Puller tool for quick snap retainers	1	
904	3311004217	Mounting toolfor retaining clips	1	
905	3311004218	Dismantling toolfor retaining clips	1	
906	3311002876	Mounting toolfor retaining clips (ER17/75/70/30 C)	1	
907	3311002195	Dismantling toolfor retaining clips (ER17/75/70/30 C)	1	

Options / accessories Optional equipment



Item	Part No.	Name	Qty	L
915	3315442500	HATCON KIT 1 (3G)	1	A
915	3315442520	HATCON KIT 1 (LTE)	1	
916	3315439105	SECURITY BIT HATCON	1	
917	3315439106	MAGNET HATCON	1	
920	3311003111	Hydraulic filter set for leakage oil, metric	1	
921	3311003195	Hydraulic filter set for leakage oil, JIC	1	
922	3311003087	Filter cartridge for leakage oil, metric and JIC	1	
923		ADAPTER PLATE matching the carrier. Consult the authorized Customer Center/Dealer in your area.	1	
-	3311005362	WATER SPRAY KIT	1	

Comments for Page: Optional equipment

A | with item 916 and 917

Any unauthorized use or copying of the contents or any part thereof is prohibited.
This applies in particular to trademarks, model denominations, part numbers, and drawings.