

# BP 2050, 2050 R

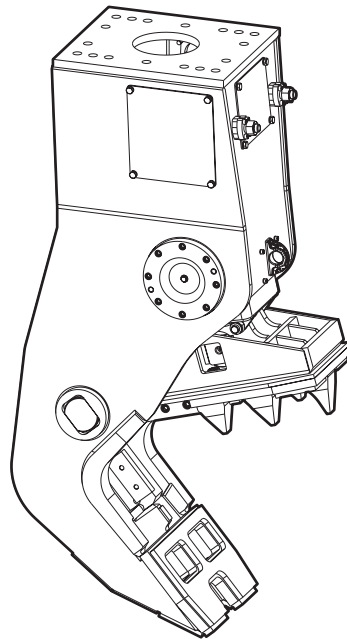
---

## Spare parts list

### Bulk pulverizer

BP 2050 s/n DEQ159200 - DEQ169180

BP 2050 R s/n DEQ159200 - DEQ169180



# General information

This spare parts list applies to the following:

Part number	Description
3363111584	Bulk pulverizer BP 2050 non rotating
3363111973	Bulk pulverizer BP 2050 rotating

Use only authorized parts. Any damage or malfunction caused by the use of unauthorized parts is not covered by Warranty or Product Liability. Any unauthorized use or copying of the contents or any part thereof is prohibited. This applies in particular to trademarks, model denominations, part numbers, and drawings.

## Instructions for use

This spare parts list contains no safety regulations and is merely intended to assist in the ordering of spare parts.

For information about operating, servicing, or repairing, the relevant Safety and operating instructions must be consulted at all costs.

Please observe the safety instructions listed in the relevant Safety and operating instructions!

## Instructions for ordering

It is essential to indicate the serial number of the hydraulic attachment when ordering spare parts!

Please note the full identification number of your hydraulic attachment.

Determine the quantity of individual parts which are required and need to be ordered. The order must indicate the following details:

- full identification code of the hydraulic attachment
- required quantity
- part number
- description

**Service, repair and wear part kits**

Kit list ..... 1

**Mechanical**

Bulk pulverizer BP 2050 non rotating ..... 3  
Bulk pulverizer BP 2050 rotating ..... 6  
Pulverizer jaw ..... 10  
Hydraulic cylinder ..... 13  
Upper part complete ..... 15  
Rotary transmission ..... 18  
Tightening torque ..... 21  
Dimensions BP 2050 non rotating ..... 23  
Dimensions BP 2050 rotating ..... 24

**Options / accessories**

Hydraulic hoses - non rotating ..... 26  
Hydraulic hoses - rotating ..... 29  
Optional equipment ..... 31

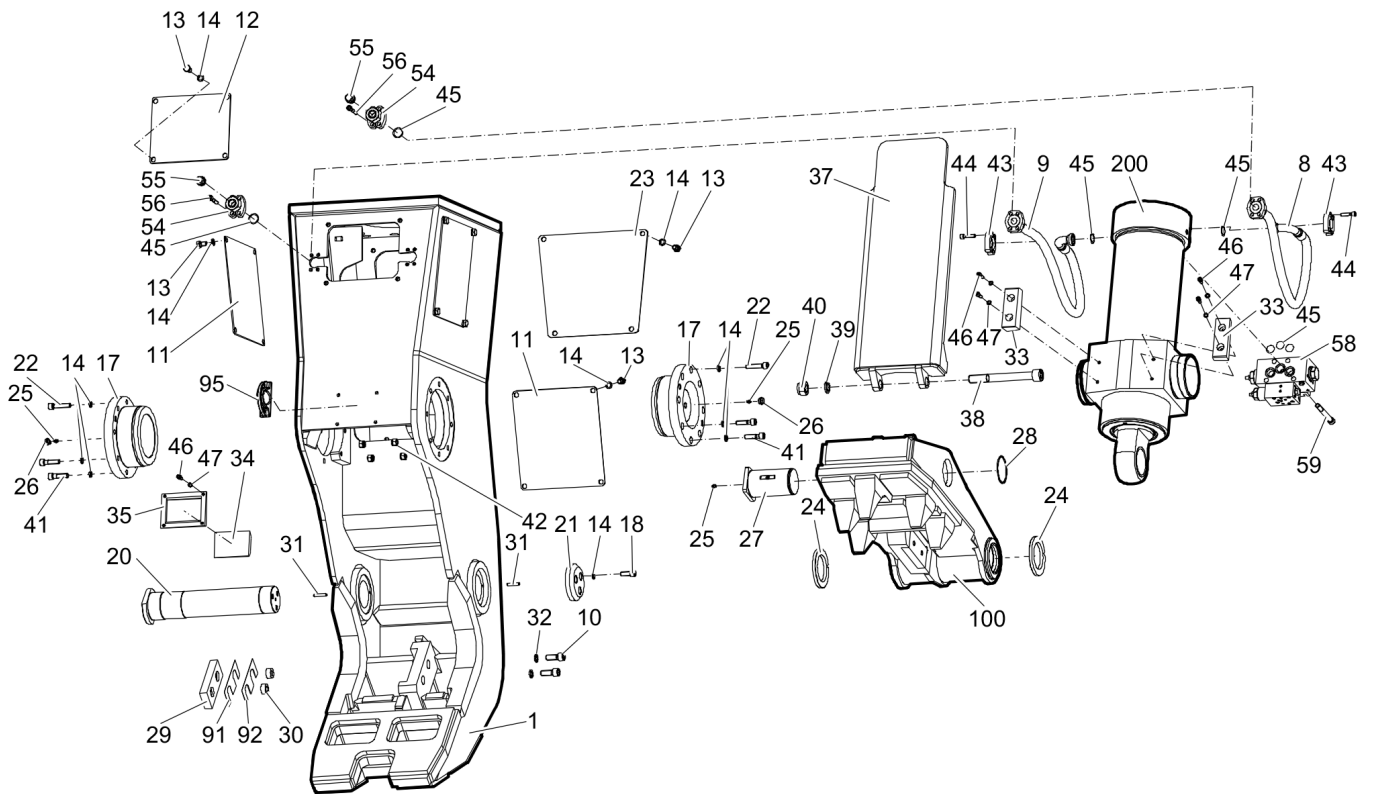


Service, repair and wear part kits Kit list

NO EXPLODED VIEW  
AVAILABLE  
FOR THIS BOM

Item	Part No.	Name	Qty	L
KIT	3363112460	Label kit	1	
KIT	3363112463	Cutter blades kit	1	
10	3360106092	Allen screw	2	
29	3363086455	Cutter blade	1	
30	3363035107	Lock ring	2	
32	3361850748	Pair of lock washers	2	
91	3363092403	Shim	1	
92	3363091026	Shim	1	
105	3363086455	Cutter blade	1	
108	3360106092	Allen screw	2	
109	3361850748	Pair of lock washers	2	
111	3363035107	Lock ring	2	
191	3363092403	Shim	1	
192	3363091026	Shim	1	
220(226-239)	3363126018	Seal kit (suitable for hydraulic cylinder, no. H 33 31146 01)	1	
226		Wiper	1	
227		Seal	1	
228		Guide ring	3	
229		Guide ring	2	
230		Seal	1	
231		Seal	1	
232		Guide ring	2	
233		O-ring	1	
234		Back-up ring	1	
235		O-ring	1	
236		Back-up ring	2	
237		O-ring	1	
238		O-ring	2	
239		Back-up ring	2	
KIT	3363083074	Seal kit (Hydraulic motor)	1	
KIT	3363083945	Seal kit (Hydraulic motor housing)	1	
KIT	3363113168	Seal kit (Rapid movement valve)	1	

Mechanical Bulk pulverizer BP 2050 non rotating



Item	Part No.	Name	Qty	L
1	3363118283	Housing	1	
8	3363112008	Hydraulic hose	1	
9	3363112007	Hydraulic hose	1	
10	3360106092	Allen screw	2	
11	3363082455	Plate	3	
12	3363088313	Plate	1	
13	3360105141	Hexagon head bolt	20	
14	3361333703	Pair of lock washers	39	
17	3363088857	Cap	2	
18	3360106079	Allen screw	3	
20	3363086471	Bolt	1	
21	3363086473	Cap	1	
22	3363034481	Allen screw	12	
23	3363088269	Plate	1	
24	3363085879	Disk	2	
25	3360209834	Grease nipple	3	
26	3363070084	Threaded plug	2	
27	3363086439	Bolt	1	
28	3362328072	Lock ring	1	
29	3363086455	Cutter blade	1	
30	3363035107	Lock ring	2	
31	3363098104	Spring dowel sleeve	2	
32	3361850748	Pair of lock washers	2	
33	3363088389	Guide part	2	
34	3363088385	Guide part	1	
35	3363088387	Support	1	
37	3363112673	Protective sheath	1	
38	3363111908	Allen screw	1	
39	3360108520	Disk	1	
40	3363087612	Hexagon nut	1	
41	3360106083	Allen screw	4	
42	3363087617	Hexagon nut	4	
43	3361853208	Flange half	4	
44	3360026513	Allen screw	8	
45	3360314370	O-ring	7	
46	3360103745	Allen screw	8	
47	3361850745	Pair of lock washers	8	

Refer to the DocMine web page for most up-to-date information. The printed information might be outdated.

Mon Apr 26 09:03:06 UTC 2021



Item	Part No.	Name	Qty	L
54	3363083083	Hose connection	2	
55	3361031956	Plug	2	
56	3360026518	Allen screw	8	
58	3363103691	Rapid movement valve	1	
59	3363091092	Allen screw	4	
91	3363092403	Shim	1	
92	3363091026	Shim	1	
95	3363111994	Lifting eye	1	A
100	3363112357	Pulverizer jaw complete	1	B
200	3363112359	Hydraulic cylinder	1	B

Comments for Page: Bulk pulverizer BP 2050 non rotating

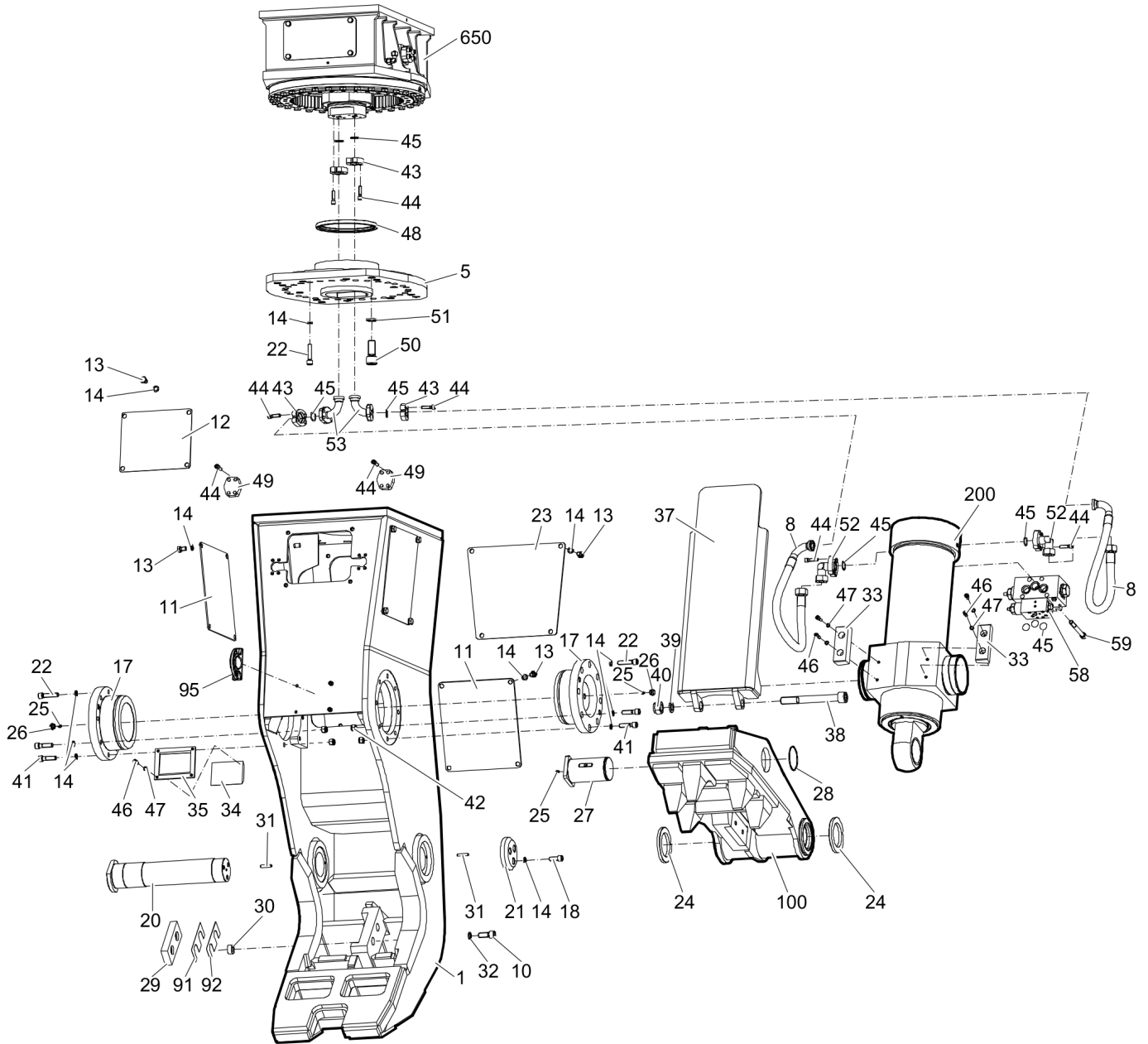
(L)OCAL REMARKS

A | professional welding process necessary

B | see separate chapter

This page intentionally left blank

Mechanical Bulk pulverizer BP 2050 rotating



Refer to the DocMine web page for most up-to-date information. The printed information might be outdated.  
Mon Apr 26 09:03:07 UTC 2021

Item	Part No.	Name	Qty	L
1	3363118283	Housing	1	
5	3363111927	Plate	1	
8	3363112004	Hydraulic hose	2	
10	3360106092	Allen screw	2	
11	3363082455	Plate	3	
12	3363088313	Plate	1	
13	3360105141	Hexagon head bolt	20	
14	3361333703	Pair of lock washers	71	
17	3363088857	Cap	2	
18	3360106079	Allen screw	3	
20	3363086471	Bolt	1	
21	3363086473	Cap	1	
22	3363034481	Allen screw	44	
23	3363088269	Plate	1	
24	3363085879	Disk	2	
25	3360209834	Grease nipple	3	
26	3363070084	Threaded plug	2	
27	3363086439	Bolt	1	
28	3362328072	Lock ring	1	
29	3363086455	Cutter blade	1	
30	3363035107	Lock ring	2	
31	3363098104	Spring dowel sleeve	2	
32	3361850748	Pair of lock washers	2	
33	3363088389	Guide part	2	
34	3363088385	Guide part	1	
35	3363088387	Support	1	
37	3363112673	Protective sheath	1	
38	3363111908	Allen screw	1	
39	3360108520	Disk	1	
40	3363087612	Hexagon nut	1	
41	3360106083	Allen screw	4	
42	3363087617	Hexagon nut	4	
43	3361853208	Flange half	8	
44	3360026513	Allen screw	32	
45	3360314370	O-ring	9	
46	3360103745	Allen screw	8	
47	3361850745	Pair of lock washers	8	

Refer to the DocMine web page for most up-to-date information. The printed information might be outdated.

Mon Apr 26 09:03:07 UTC 2021

Item	Part No.	Name	Qty	L
48	3362267680	Rotary shaft seal	1	
49	3363034040	Blind flange	2	A
50	3360478750	Allen screw	14	
51	3361850747	Pair of lock washers	14	
52	3362263593	Fitting complete	2	
53	3363093797	Connection	2	
58	3363103691	Rapid movement valve	1	
59	3363091092	Allen screw	4	
91	3363092403	Shim	1	
92	3363091026	Shim	1	
95	3363111994	Lifting eye	1	B
100	3363112357	Pulverizer jaw complete	1	C
200	3363112359	Hydraulic cylinder	1	C
650	3363100235	Upper part complete	1	C

Comments for Page: Bulk pulverizer BP 2050 rotating

(L)OCAL REMARKS

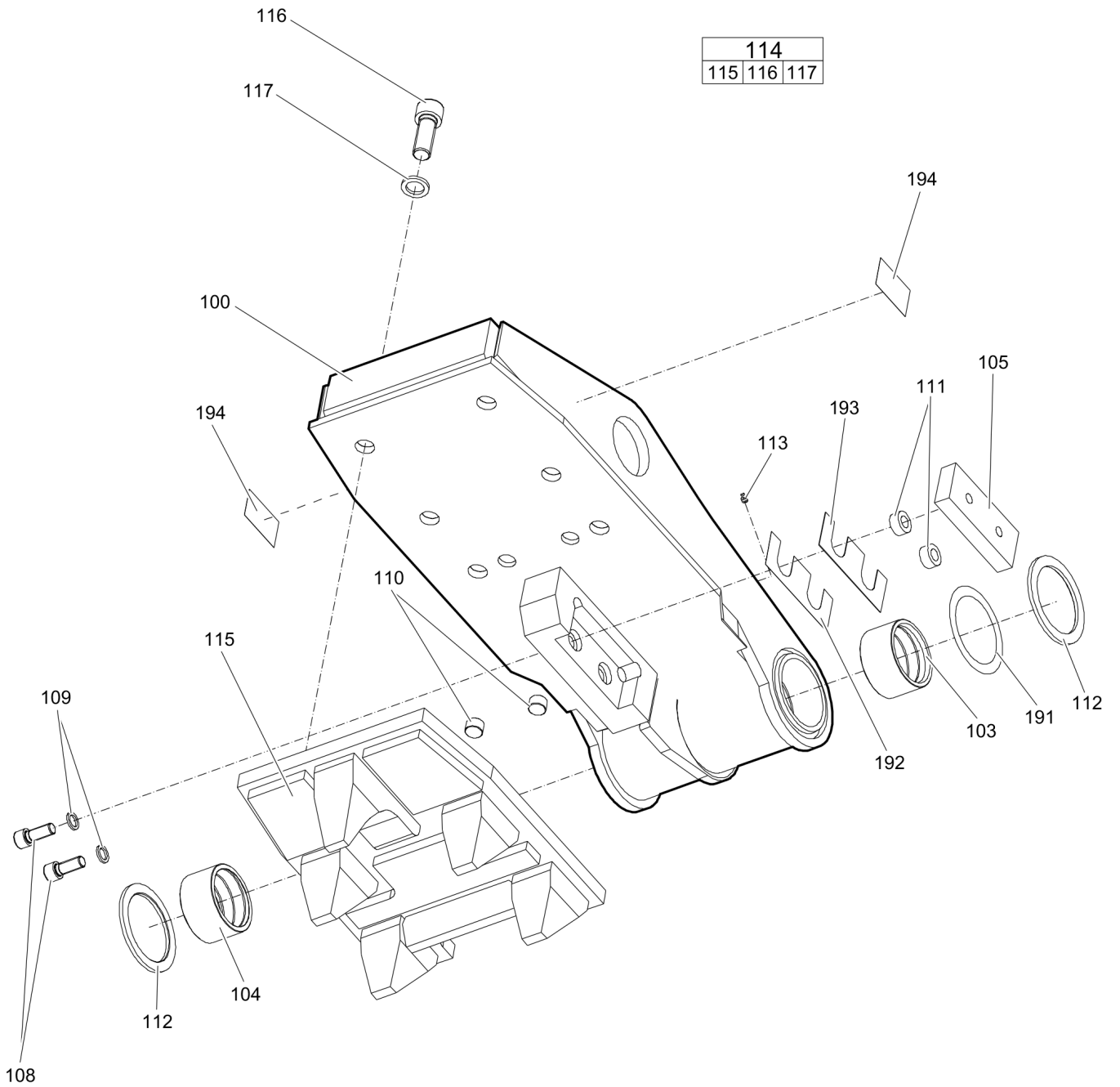
A | with 4 times item 44

B | professional welding process necessary

C | see separate chapter

This page intentionally left blank

Mechanical Pulverizer jaw



Refer to the DocMine web page for most up-to-date information. The printed information might be outdated.  
Mon Apr 26 09:03:07 UTC 2021

Item	Part No.	Name	Qty	L
100	3363112357	Pulverizer jaw complete	1	A
103	3363088319	Bearing bush	1	
104	3363088321	Bearing bush	1	
105	3363086455	Cutter blade	1	
108	3360106092	Allen screw	2	
109	3361850748	Pair of lock washers	2	
110	3363086441	Lock pin	2	
111	3363035107	Lock ring	2	
112	3363085851	Disk	2	
113	3360209834	Grease nipple	1	
114(115-117)	3363118285	Tooth plate complete	1	
115		Tooth plate	1	
116	3360026882	Allen screw	6	
117	3361850747	Pair of lock washers	6	
191	3363085881	Spacer ring	2	B
192	3363092403	Shim	1	
193	3363091026	Shim	1	
194	3362268751	Label tightening torque	2	C

Comments for Page: Pulverizer jaw

(L)OCAL REMARKS

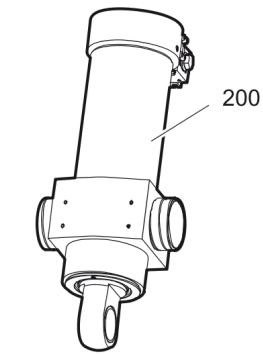
A | with parts item 102 - 113

B | 1.0 mm (0.04 in.) thick, as required

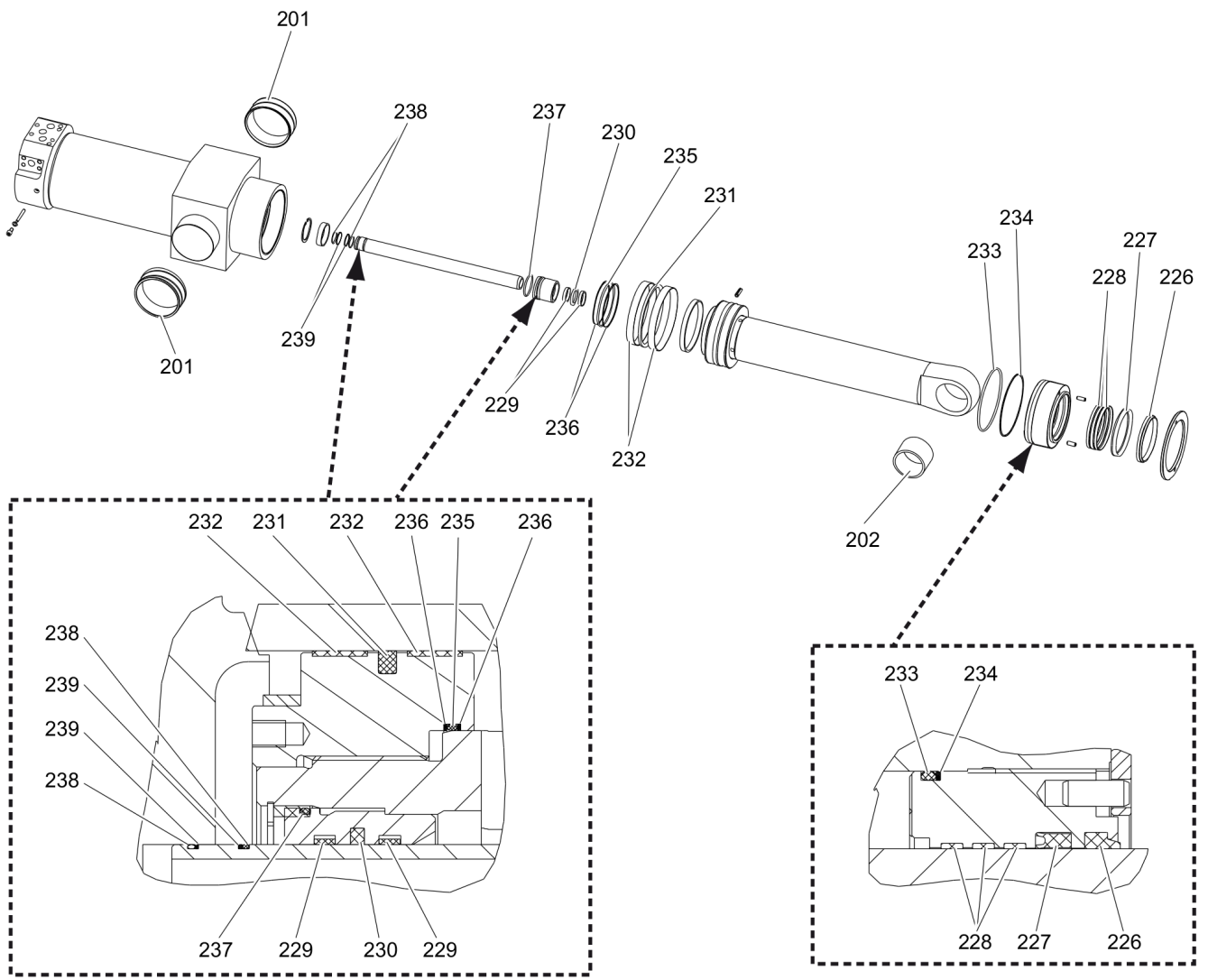
C | German/English



Mechanical Hydraulic cylinder



220													
226	227	228	229	230	231	232	233	234	235	236	237	238	239

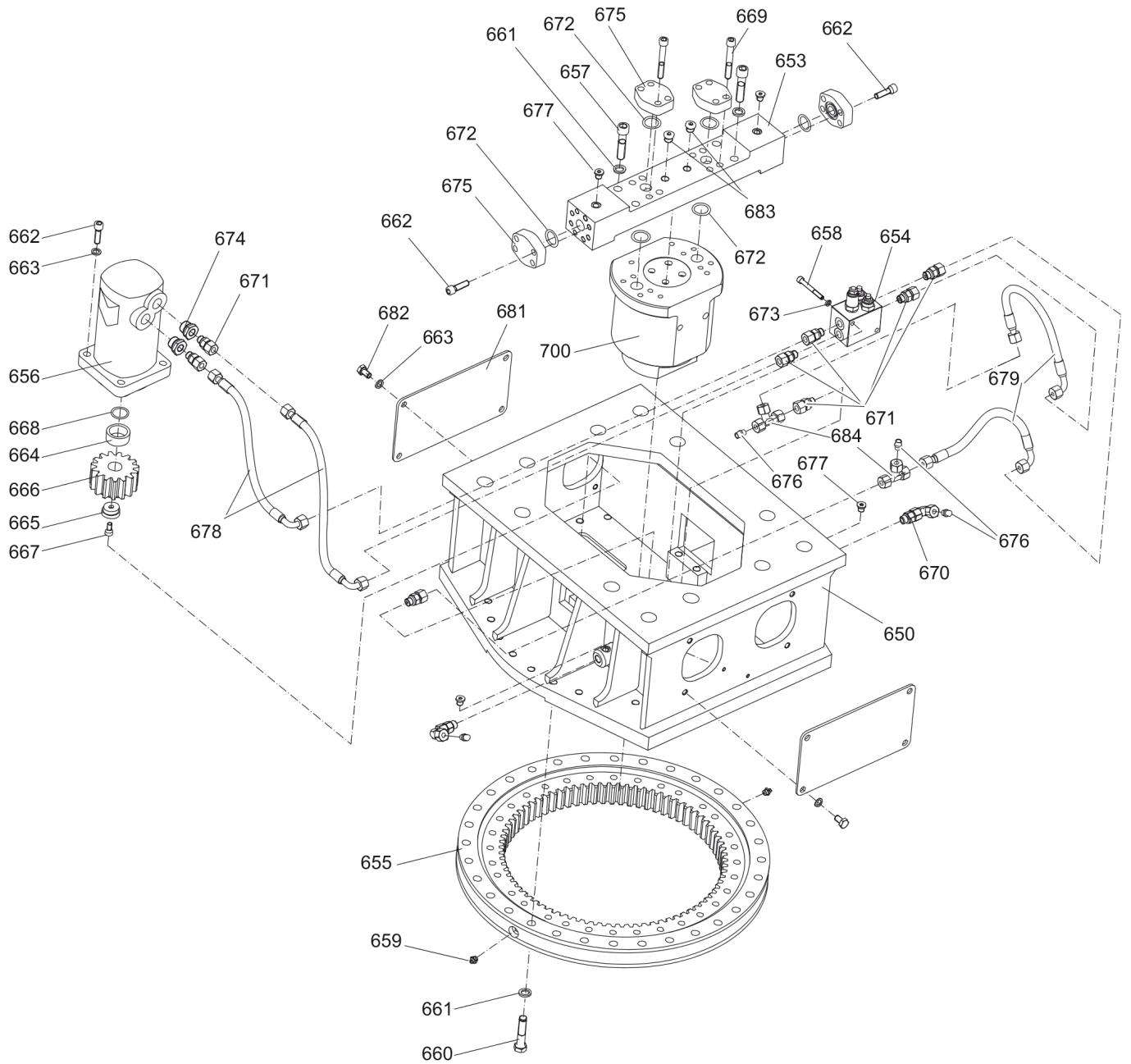


Item	Part No.	Name	Qty	L
200	3363112359	Hydraulic cylinder	1	A
201	3363086477	Clamping bush	2	
202	3363112446	Clamping bush	1	
220(226-239)	3363126018	Seal kit (suitable for hydraulic cylinder, no. H 33 31146 01)	1	
226		Wiper	1	
227		Seal	1	
228		Guide ring	3	
229		Guide ring	2	
230		Seal	1	
231		Seal	1	
232		Guide ring	2	
233		O-ring	1	
234		Back-up ring	1	
235		O-ring	1	
236		Back-up ring	2	
237		O-ring	1	
238		O-ring	2	
239		Back-up ring	2	

Comments for Page: Hydraulic cylinder

A | with parts item 202 - 239

Mechanical Upper part complete



Refer to the DocMine web page for most up-to-date information. The printed information might be outdated.  
Mon Apr 26 09:03:09 UTC 2021

Item	Part No.	Name	Qty	L
650	3363100235	Upper part complete	1	A
653	3363092099	Connection plate	1	
654	3362266712	Valve block	1	
655	3362267696	Four point bearing	1	
656	3363098967	Hydraulic motor	1	
657	3360026646	Allen screw	4	
658	3360103738	Allen screw	2	
659	3360433774	Grease nipple	2	
660	3363085887	Hexagon head screw	32	
661	3361333703	Pair of lock washers	36	
662	3360026512	Allen screw	12	
663	3361850596	Pair of lock washers	12	
664	3362265869	Ring	1	
665	3363088327	Ring	1	
666	3362260807	Spur pinion	1	
667	3361031981	Allen screw	1	
668	3360313304	O-ring	1	
669	3363034429	Allen screw	8	
670	3363091912	Fitting	2	
671	3360478333	Fitting	8	
672	3360314370	O-ring	6	
673	3361850743	Pair of lock washers	2	
674	3362267435	Fitting	2	
675	3363034040	Blind flange	4	B
676	3360314593	Plug	4	
677	3360478439	Threaded plug	4	
678	3363085885	Hydraulic hose	2	
679	3363083972	Hydraulic hose	2	
681	3363104123	Cover sheet	2	
682	3360433381	Hexagon head screw	8	
683	3360478440	Threaded plug	2	
684	3360314543	Fitting	2	
700	3363033685	Rotary transmission	1	C

Comments for Page: Upper part complete

(L)OCAL REMARKS

Refer to the DocMine web page for most up-to-date information. The printed information might be outdated.

Mon Apr 26 09:03:09 UTC 2021

A | with item 653 - 700

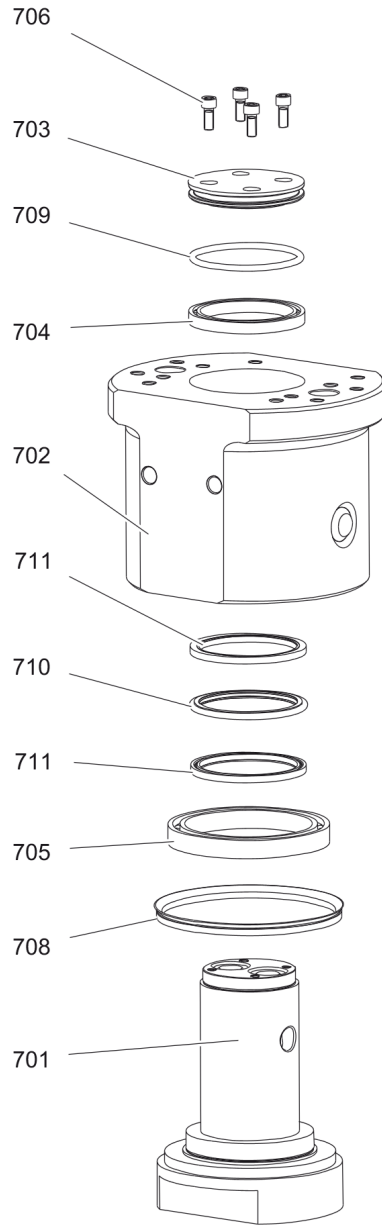
B | with one time item 672 and four times item 662

C | see separate chapter

This page intentionally left blank

Mechanical Rotary transmission

700						
701	702	703	704	705	706	707



707			
708	709	710	711

Item	Part No.	Name	Qty	L
700(701-707)	3363033685	Rotary transmission	1	
701	3363034316	Rotor	1	
702	3363034317	Stator	1	
703	3363034318	Cap	1	
704	3363034319	Ball bearing	1	
705	3363034320	Ball bearing	1	
706	3363034325	Allen screw	4	
707(708-711)	3363083066	Seal kit (Rotary transmission)	1	
708		V-ring	1	
709		O-ring	1	
710		Slide ring	1	
711		Seal	2	



Mechanical Tightening torque

NO EXPLODED VIEW  
AVAILABLE  
FOR THIS BOM

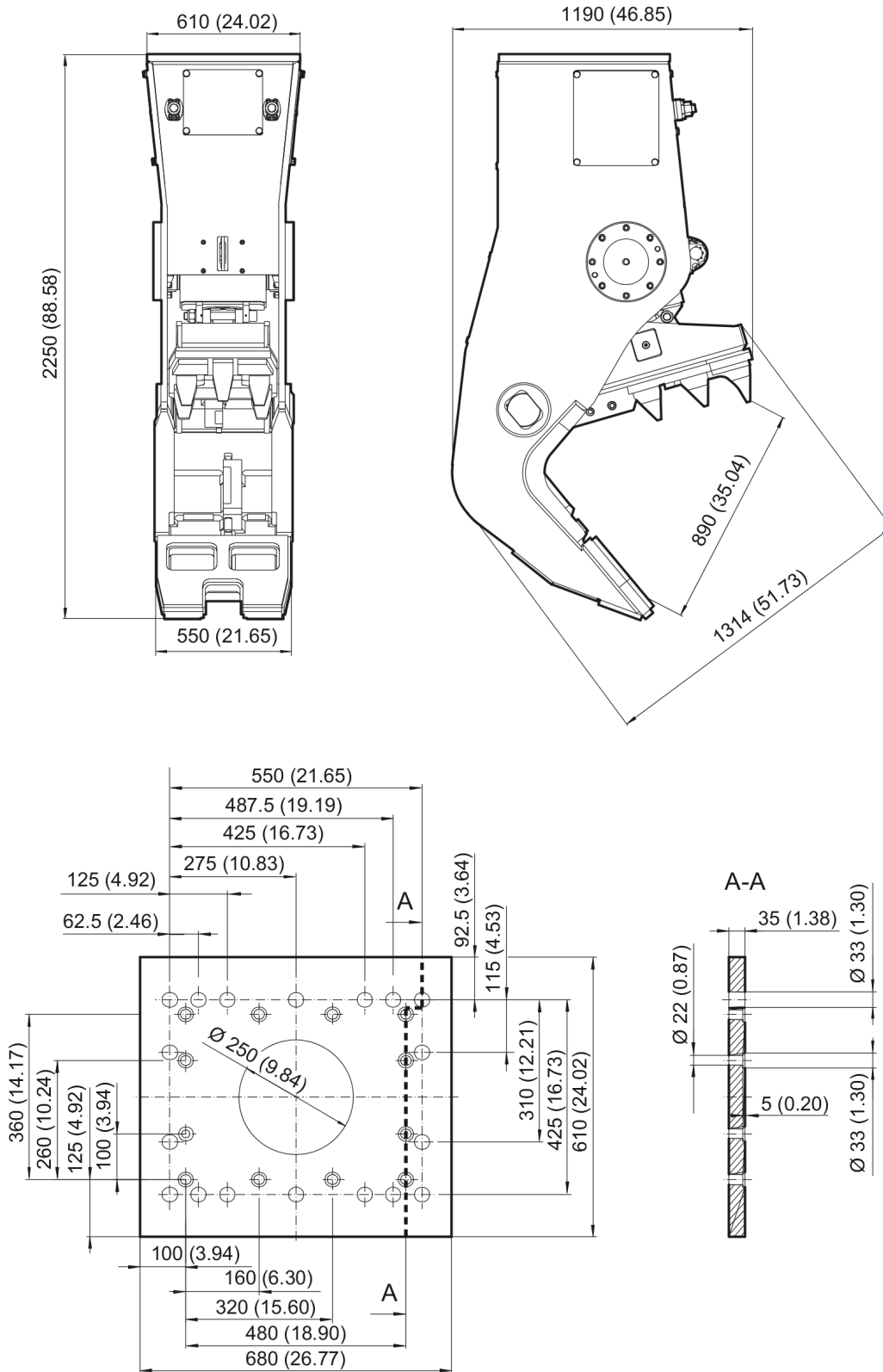
Item	Part No.	Name	Qty	L
10	-	Allen screw - 530 + 30 Nm	-	
13	-	Hexagon head screw - 180 + 5 Nm	-	
18	-	Allen screw - 255 + 30 Nm	-	
22	-	Allen screw - 255 + 30 Nm	-	
26	-	Threaded plug - 140 + 40 Nm	-	
38	-	Allen screw - 1850 + 50 Nm	-	
40	-	Hexagon head screw - 230 + 30 Nm	-	
41	-	Allen screw - 255 + 30 Nm	-	
44	-	Allen screw - 100 + 10 Nm	-	
46	-	Allen screw - 44 + 5 Nm	-	
56	-	Allen screw - 100 + 10 Nm	-	
59	-	Allen screw - 250 + 20 Nm	-	
106	-	Allen screw - 1350 + 50 Nm	-	
108	-	Allen screw - 530 + 30 Nm	-	
657	-	Allen screw - 180 + 20 Nm	-	
658	-	Allen screw - 19 + 5 Nm	-	
660	-	Hexagon head screw - 270 + 10 Nm	-	
662	-	Allen screw - 75 + 10 Nm	-	
667	-	Allen screw - 70 + 5 Nm	-	A
669	-	Allen screw - 75 + 10 Nm	-	
670	-	Fitting - 70 + 5 Nm	-	
671	-	Fitting - 70 + 5 Nm	-	
674	-	Fitting - 150 + 20 Nm	-	
677	-	Threaded plug - 25 + 5 Nm	-	
682	-	Hexagon head screw - 75 + 10 Nm	-	

Comments for Page: Tightening torque

(L)OCAL REMARKS

A | fix with Loctite 243

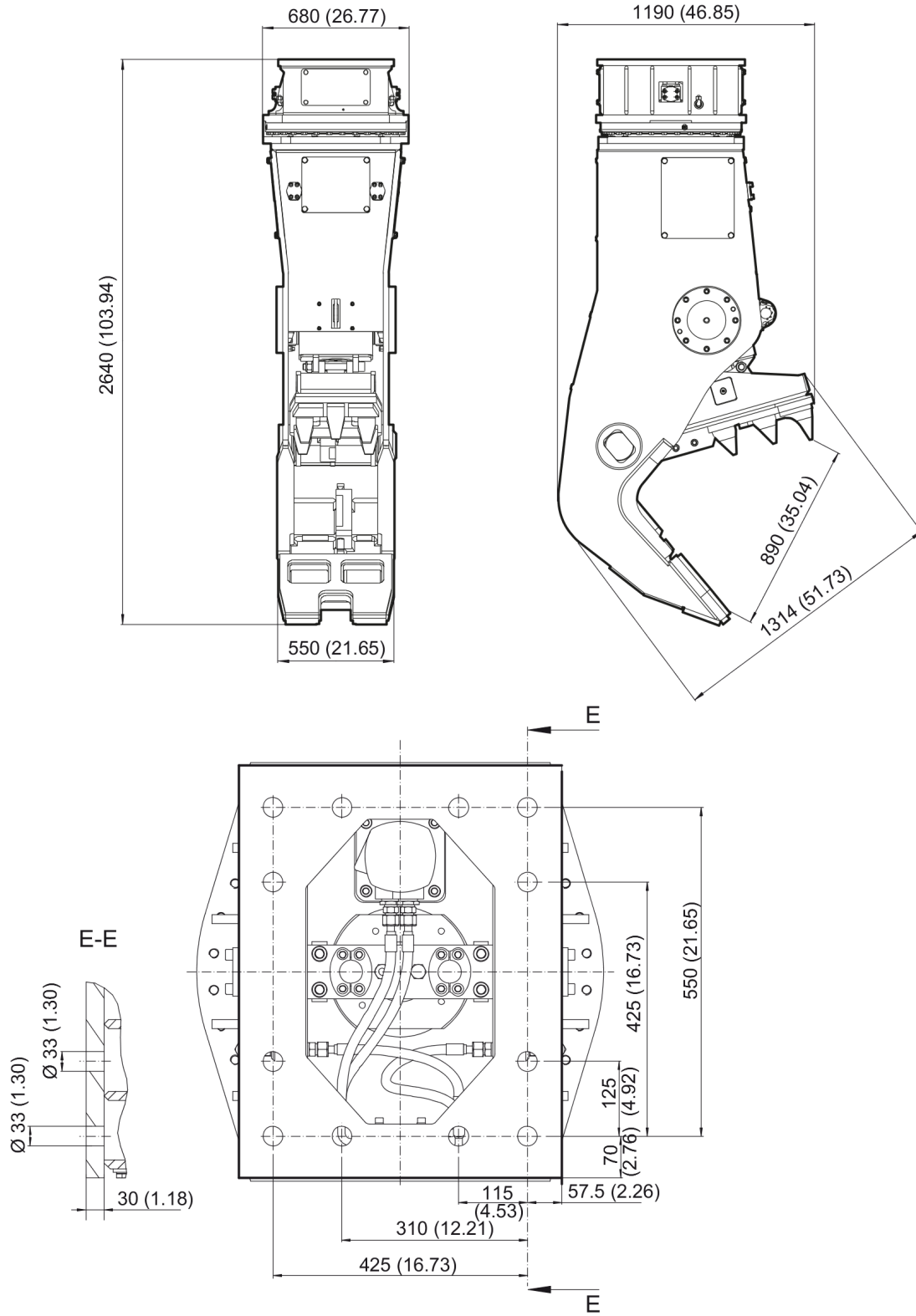
Mechanical Dimensions BP 2050 non rotating



Refer to the DocMine web page for most up-to-date information. The printed information might be outdated.  
Mon Apr 26 09:03:10 UTC 2021

This page intentionally left blank

Mechanical Dimensions BP 2050 rotating



Refer to the DocMine web page for most up-to-date information. The printed information might be outdated.  
Mon Apr 26 09:03:11 UTC 2021

This page intentionally left blank

Options / accessories Hydraulic hoses - non rotating

**NO EXPLODED VIEW  
AVAILABLE  
FOR THIS BOM**

Item	Part No.	Name	Qty	L
-	3360992340	Hydraulic hose, I.D. 25 (1"), both ends M42 x 2 conical seal 24°, length 2300 mm (91 in.)	2	
-	3361853859	Hydraulic hose, I.D. 25 (1"), both ends M42 x 2 conical seal 24°, length 2800 mm (110 in.)	2	



Options / accessories Hydraulic hoses - rotating

**NO EXPLODED VIEW  
AVAILABLE  
FOR THIS BOM**

Item	Part No.	Name	Qty	L
Not Shown	-	Open - Close	1	
-	3363094645	Hydraulic Hose, I.D. 25 (1"), , flange SAE 90° - 6000 PSI / M42 x 2, conical seal 24°, length 2300 mm (91 in.)	2	
-	3363094646	Hydraulic Hose, I.D. 25 (1"), , flange SAE 90° - 6000 PSI / M42 x 2, conical seal 24°, length 2800 mm (110 in.)	2	
Not Shown	-	Rotation	1	
-	3363031767	Hydraulic hose, I.D. 8 (3/8"), both ends M20 x 1.5 conical seal 24°, length 2800 mm (110 in.)	2	
-	3363034399	Hydraulic hose, I.D. 8 (3/8"), both ends M20 x 1.5 conical seal 24°, length 3500 mm (138 in.)	2	

Options / accessories Optional equipment

NO EXPLODED VIEW  
AVAILABLE  
FOR THIS BOM

Item	Part No.	Name	Qty	L
-	3363094914	Cutter grease cartridge, 12 x 400 g (0.88 lbs)	1	
-	0909107100	LUBRICAT.GUN	1	
-		Adapter plate matching the carrier. Consult the authorized Customer Center/Dealer in your area.	1	
-	3363099799	Base plate with threaded inserts	1	
-	3363087306	Bolt kit	1	
-	3363100697	Base plate with through borings	1	
-	3363094579	Bolt kit	1	
-	3360209445	Allen key (22 mm)	1	







Any unauthorized use or copying of the contents or any part thereof is prohibited.  
This applies in particular to trademarks, model denominations, part numbers, and drawings.