

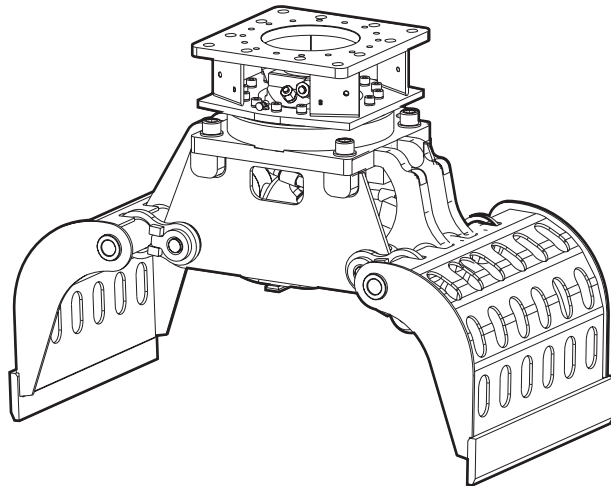
# MG 200 R

---

## Spare parts list

### Multi grapple

MG 200 R s/n DEQ236111, DEQ236432, DEQ246150 -



# General information

This spare parts list applies to the following:

Part number	Description
3363126469	Multi grapple MG 200 R

Use only authorized parts. Any damage or malfunction caused by the use of unauthorized parts is not covered by Warranty or Product Liability. Any unauthorized use or copying of the contents or any part thereof is prohibited. This applies in particular to trademarks, model denominations, part numbers, and drawings.

## Instructions for use

This spare parts list contains no safety regulations and is merely intended to assist in the ordering of spare parts.

For information about operating, servicing, or repairing, the relevant Safety and operating instructions must be consulted at all costs.

Please observe the safety instructions listed in the relevant Safety and operating instructions!

## Instructions for ordering

It is essential to indicate the serial number of the hydraulic attachment when ordering spare parts!

Please note the full identification number of your hydraulic attachment.

Determine the quantity of individual parts which are required and need to be ordered. The order must indicate the following details:

- full identification code of the hydraulic attachment
- required quantity
- part number
- description

**Service, repair and wear part kits**

Kit list ..... 1

**Mechanical**

Multi grapple part 1 ..... 3  
Multi grapple part 2 ..... 5  
Housing complete ..... 7  
Hydraulic cylinder complete ..... 9  
Grapple leafs complete ..... 11  
Upper part ..... 13  
Rotary transmission ..... 16  
Tightening torques ..... 19  
Dimensions ..... 21

**Options / accessories**

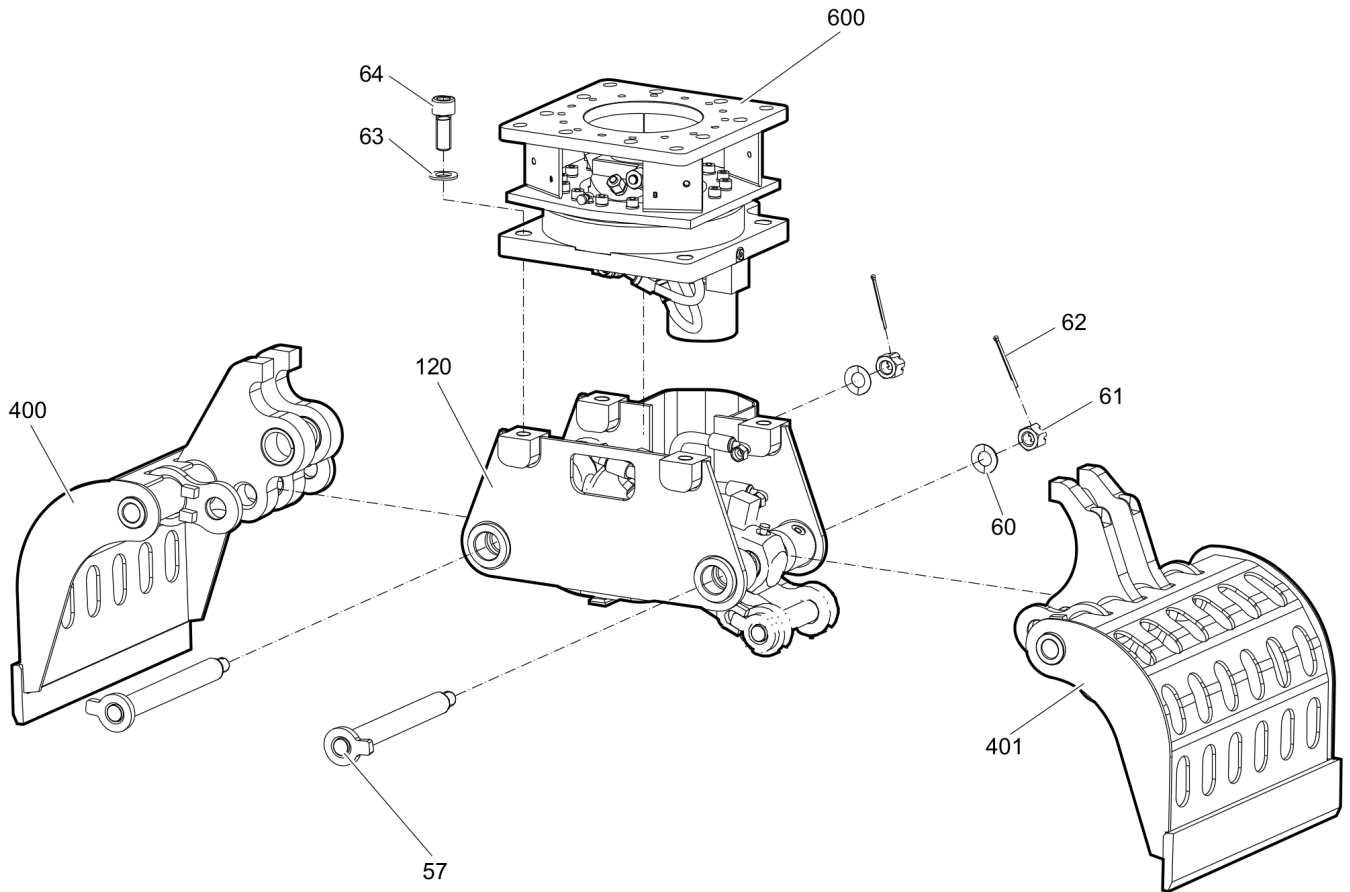
Hydraulic ports, hydraulic hoses ..... 22  
Optional equipment ..... 25

Service, repair and wear part kits Kit list

**NO EXPLODED VIEW  
AVAILABLE  
FOR THIS BOM**

Item	Part No.	Name	Qty	L
KIT	3363125005	LABEL KIT	1	
KIT	3376678108	SEAL KIT (Live ring)	1	
220(221-228)	3376678150	SEAL KIT (Hydraulic cylinder)	1	
221		O-RING	1	
222		BACK-UP RING	1	
223		O-RING	1	
224		O-RING	1	
225		SEAL	1	
226		WIPER	1	
227		SEAL	1	
228		SLIDING RING	2	
710(712+620 )	3376678152	SEAL KIT (Rotary transmission)	1	
712		SEAL	5	
620		O-RING	4	
KIT	3363124373	SEAL KIT (Hydraulic motor)	1	

Mechanical Multi grapple part 1

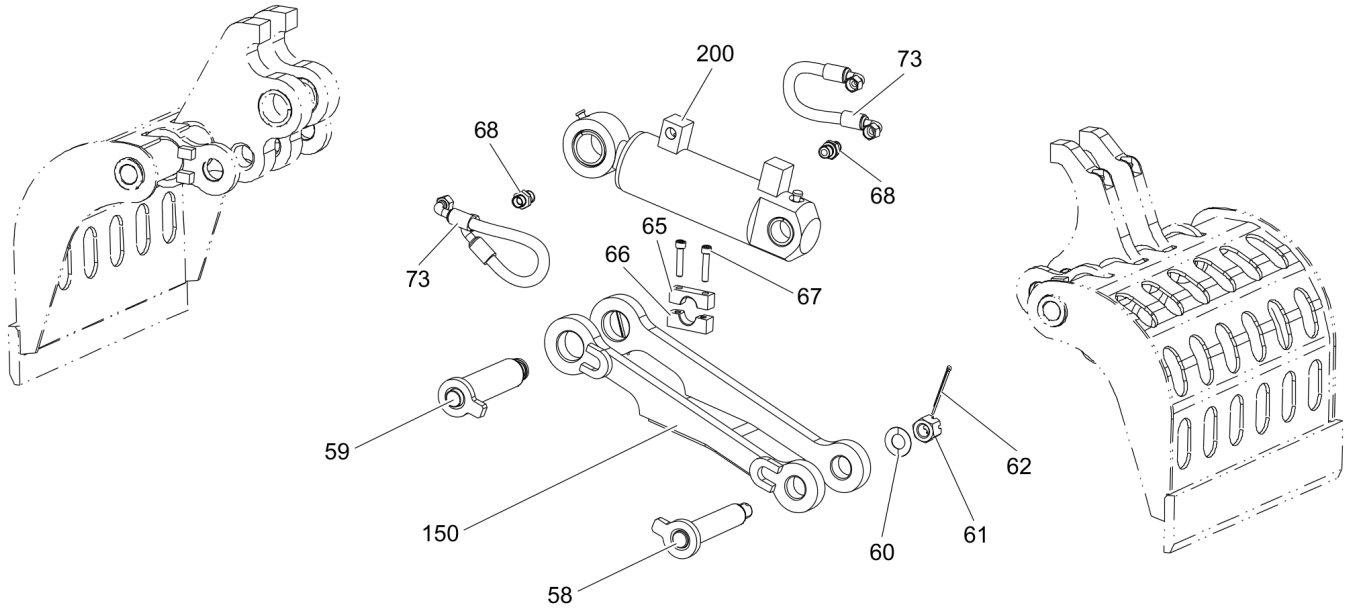


Item	Part No.	Name	Qty	L
57	3363124508	BOLT	2	
60	3376100945	DISC	2	
61	0281136600	CASTLE NUT	2	
62	0111131400	SPLIT COTTER PIN	2	
63	0300027413	WASHER	4	
64	3363094902	ALLEN SCREW	4	
120	3363124999	HOUSING COMPLETE	1	A
400	3363127365	GRAPPLE LEAF COMPLETE (left)	1	A
401	3363127366	GRAPPLE LEAF COMPLETE (right)	1	A
600	3363125200	UPPER PART	1	A

Comments for Page: Multi grapple part 1

A | see separate chapter

Mechanical Multi grapple part 2



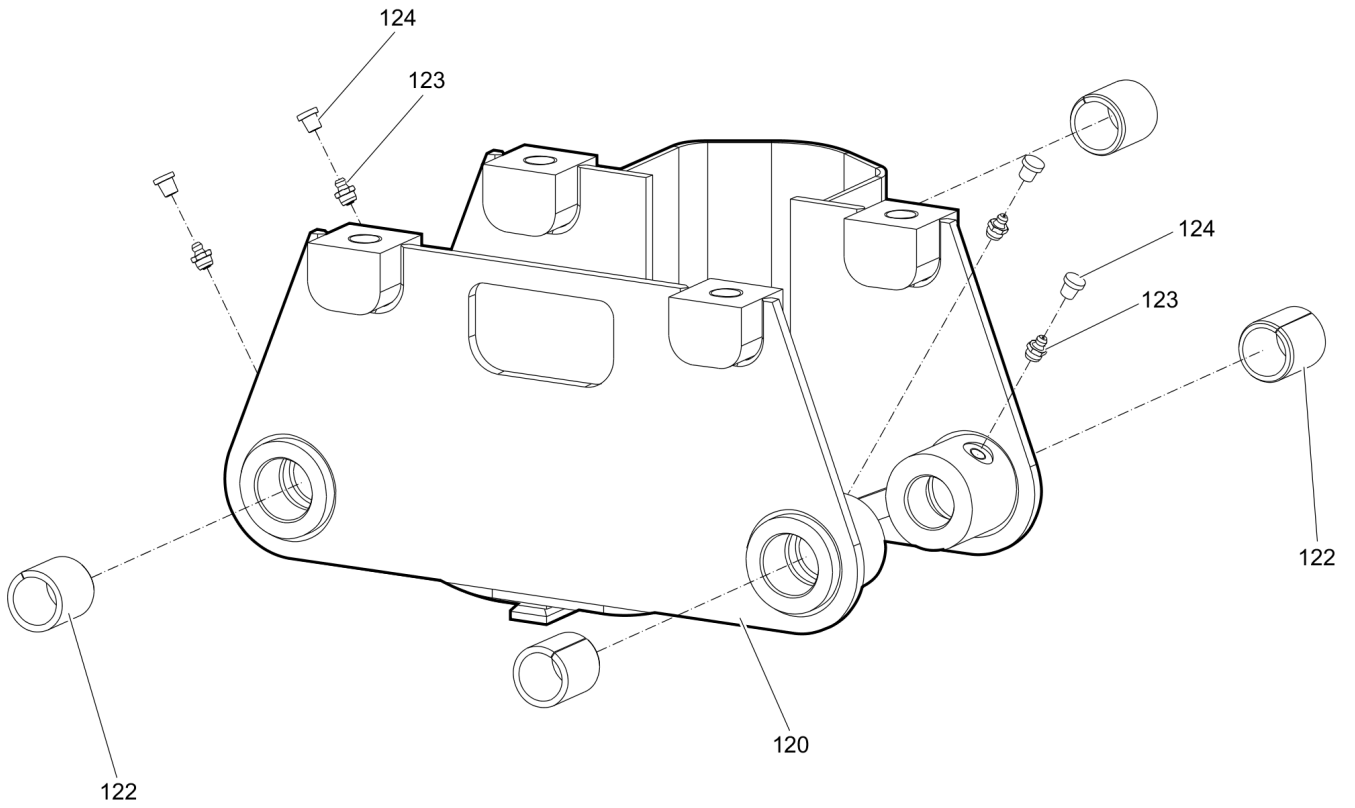


Item	Part No.	Name	Qty	L
58	3363124505	BOLT	1	
59	3363124511	BOLT	1	
60	3376100945	DISC	1	
61	0281136600	CASTLE NUT	1	
62	0111131400	SPLIT COTTER PIN	1	
65	3363123734	CLAMP	1	
66	3363123709	CLAMP	1	
67	3372005028	ALLEN SCREW	2	
68	3376100924	FITTING	2	
73	3376100934	HYDRAULIC HOSE	2	
150	3363125004	LINKAGE	1	
200	3363125003	HYDRAULIC CYLINDER complete	1	A

Comments for Page: Multi grapple part 2

A | see separate chapter

Mechanical Housing complete

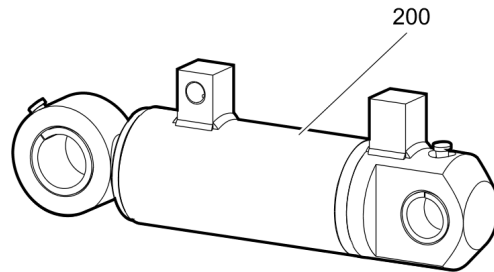


Item	Part No.	Name	Qty	L
120	3363124999	HOUSING COMPLETE	1	A
122	3363124685	BEARING BUSH	4	
123	3360209834	GREASE NIPPLE	4	
124	3363087600	CAP	4	

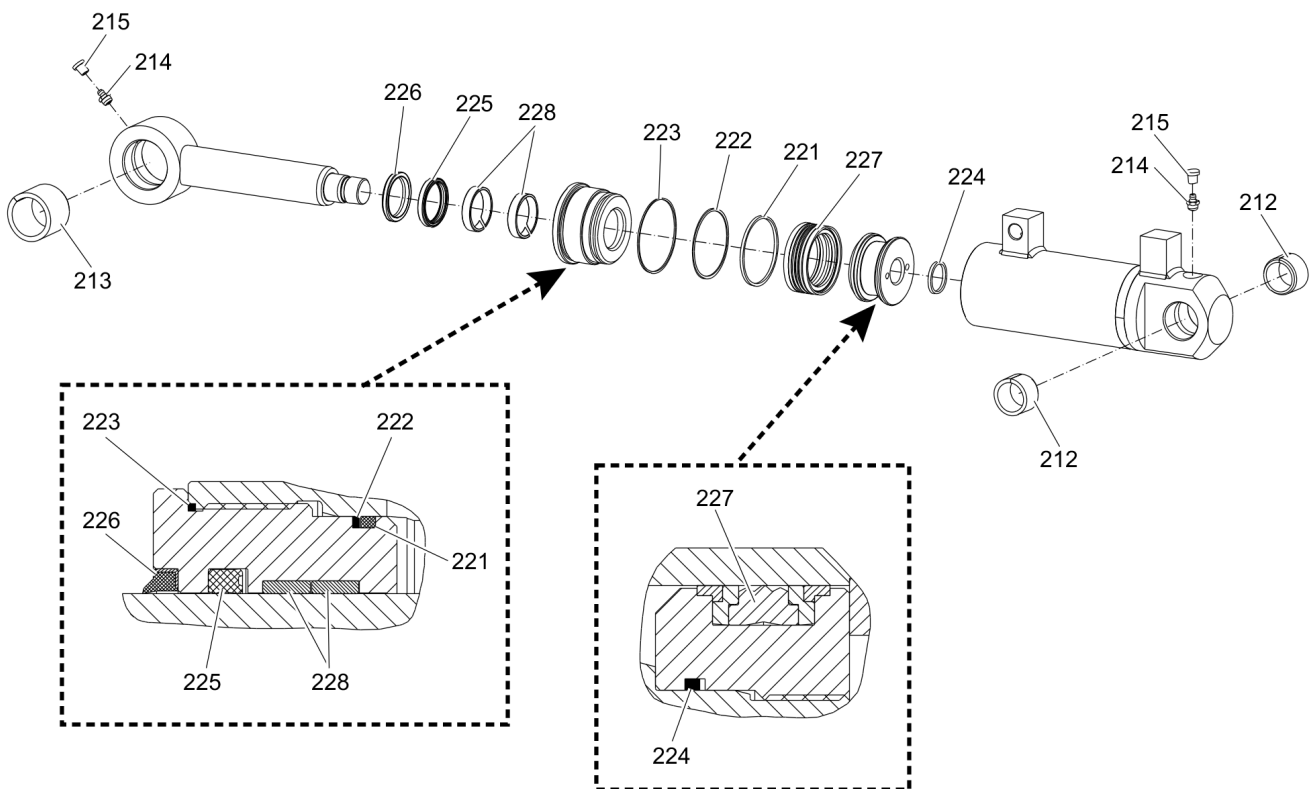
Comments for Page: Housing complete

A | with item 122 - 124

Mechanical Hydraulic cylinder complete



220							
221	222	223	224	225	226	227	228

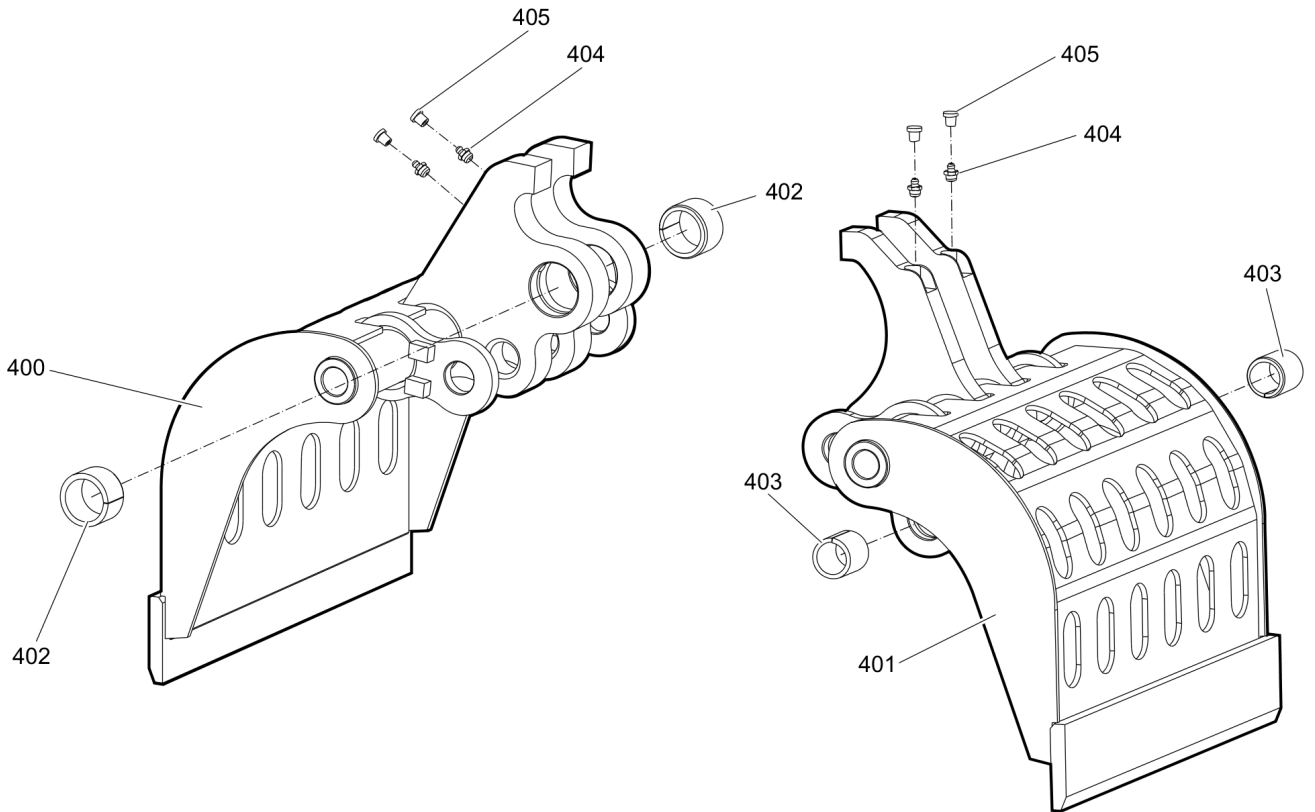


Item	Part No.	Name	Qty	L
200	3363125003	HYDRAULIC CYLINDER complete	1	A
212	3376100943	BEARING BUSH	2	
213	3362328008	BEARING BUSH	1	
214	3360209834	GREASE NIPPLE	2	
215	3363087600	CAP	2	
220(221-228)	3376678150	SEAL KIT (Hydraulic cylinder)	1	
221		O-RING	1	
222		BACK-UP RING	1	
223		O-RING	1	
224		O-RING	1	
225		SEAL	1	
226		WIPER	1	
227		SEAL	1	
228		SLIDING RING	2	

Comments for Page: Hydraulic cylinder complete

A | with item 212 - 228

Mechanical Grapple leafs complete



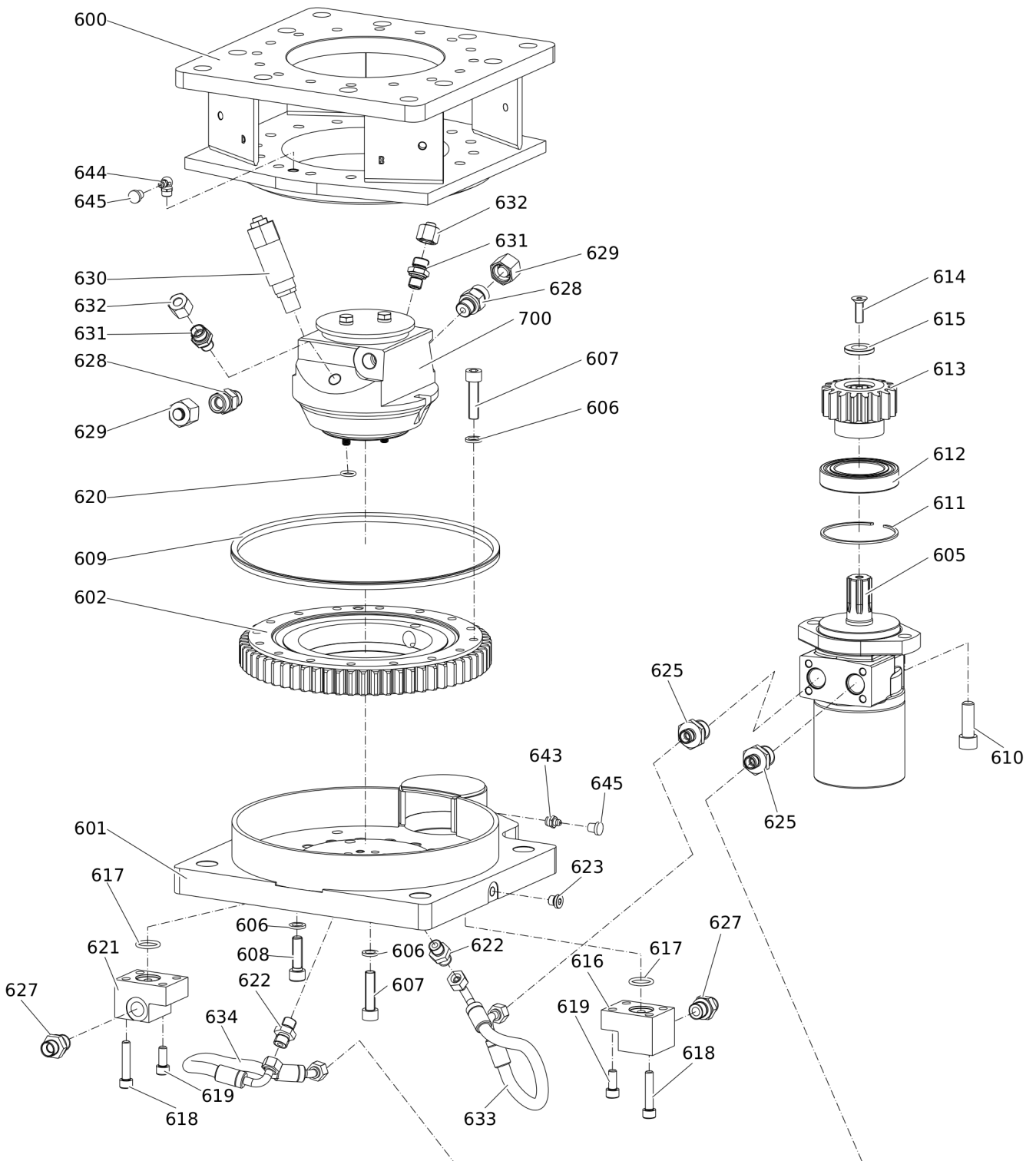
Item	Part No.	Name	Qty	L
400	3363127365	GRAPPLE LEAF COMPLETE (left)	1	A
401	3363127366	GRAPPLE LEAF COMPLETE (right)	1	B
402	3376100944	BEARING BUSH	2	
403	3363124685	BEARING BUSH	2	
404	3360209834	GREASE NIPPLE	4	
405	3363087600	CAP	4	

Comments for Page: Grapple leaves complete

A | with 2 x item 402, 2 x item 404, 2 x item 405

B | with 2 x item 403, 2 x item 404, 2 x item 405

Mechanical Upper part



Refer to the DocMine web page for most up-to-date information. The printed information might be outdated.  
Mon Nov 18 10:27:41 UTC 2024



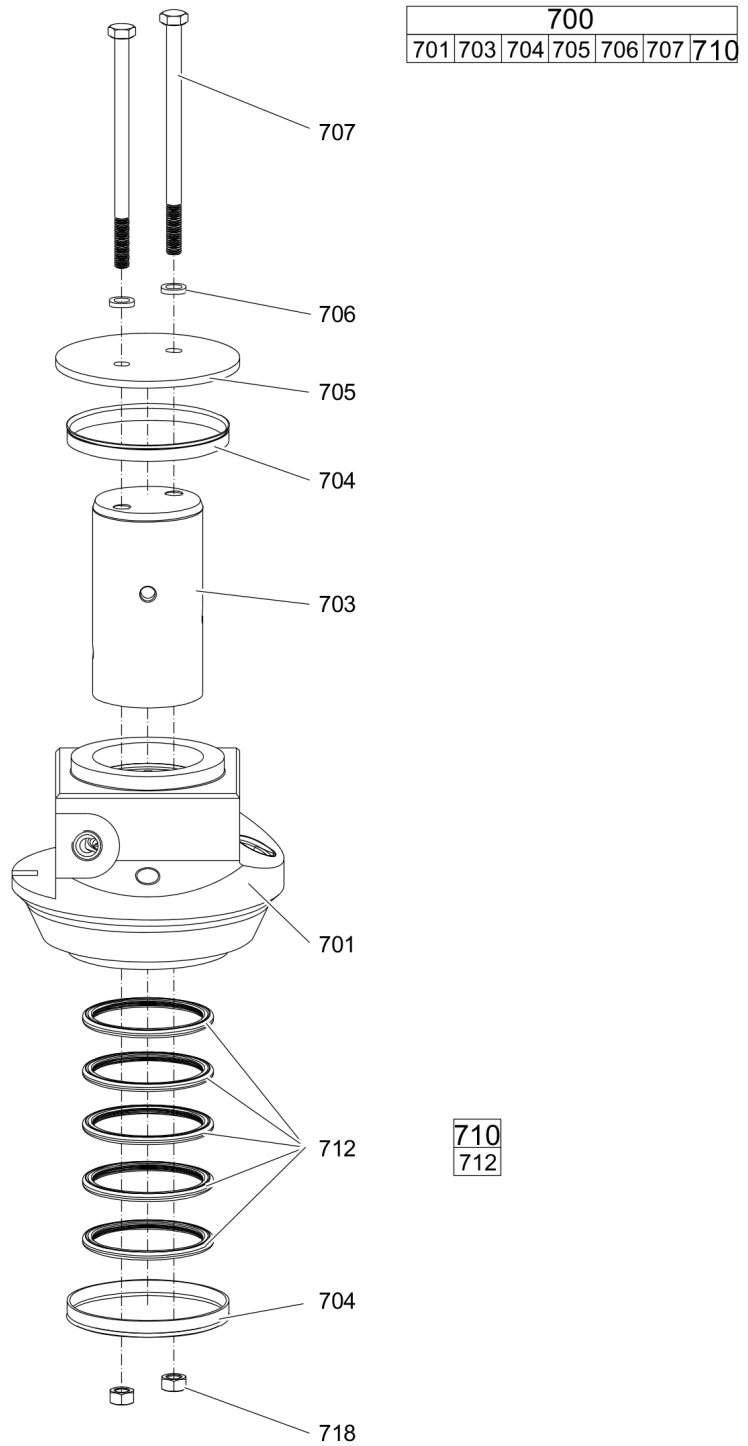
Item	Part No.	Name	Qty	L
600	3363125200	UPPER PART	1	
601	3363127168	BEARING PLATE	1	
602	3376100931	LIVE RING	1	
605	3363124428	HYDRAULIC MOTOR	1	
606	3361850745	PAIR OF LOCK WASHERS	32	
607	4700508045	ALLEN SCREW	28	
608	3363070895	ALLEN SCREW	4	
609	3376100956	SEAL	1	
610	0211140200	CAP SCREW	2	
611	3376100863	SNAP RING	1	
612	4700000115	BALL BEARING	1	
613	3363124523	PINION	1	
614	4700513013	COUNTERSUNK SCREW	1	
615	3363124524	WASHER	1	
616	3363124575	CONNECTION BLOCK	1	
617	3363125231	O-RING	2	
618	3372005028	ALLEN SCREW	4	
619	3371820721	ALLEN SCREW	4	
620	0663211801	O-RING	4	
621	3376679042	CONNECTION BLOCK	1	
622	3376545201	FITTING	2	
623	3371817740	PLUG	1	
625	3376100923	FITTING	2	
627	3376100924	FITTING	2	
628	3360478333	FITTING	2	
629	3376100873	PLUG	2	
630	3376100916	PRESSURE VALVE	1	
631	3376100921	FITTING	2	
632	3376100922	PLUG	2	
633	3376100933	HYDRAULIC HOSE	1	
634	3376100932	HYDRAULIC HOSE	1	
643	3360209834	GREASE NIPPLE	1	
644	3376100738	GREASE NIPPLE	1	
645	3363087600	CAP	2	
700	3363122219	ROTARY TRANSMISSION	1	A

Comments for Page: Upper part

A | see separate chapter

This page intentionally left blank

Mechanical Rotary transmission



Item	Part No.	Name	Qty	L
700(701-710)	3363122219	ROTARY TRANSMISSION	1	
701	3363123766	STATOR	1	
703	3363123969	ROTOR	1	
704	3376100914	V-RING	2	
705	3363123772	COVER	1	
706	3361850743	PAIR OF LOCK WASHERS	2	
707	0147111067	HEXAGON HEAD SCREW	2	
710(712)	3376678152	SEAL KIT (Rotary transmission)	1	A
712		SEAL	5	
718		HEXAGON NUT	2	B

Comments for Page: Rotary transmission

A | MG 200 R and MG 300 R: with item 620 as well; drawing see chapter Upper part,

MG 400 R, MG 500 R: with item 86 as well; drawing see chapter Multi grapple MG 400 R part 2, respectively Multi grapple MG 500 R part 2

B | as transportation safety device

Mechanical Tightening torques

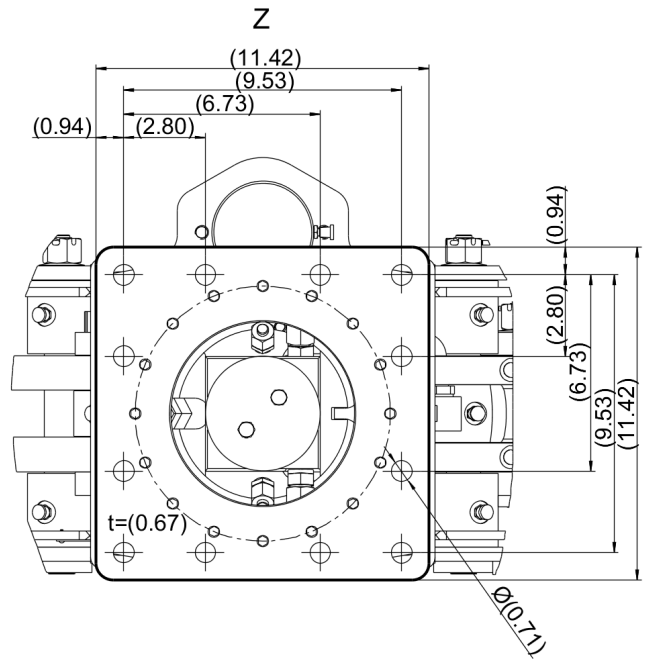
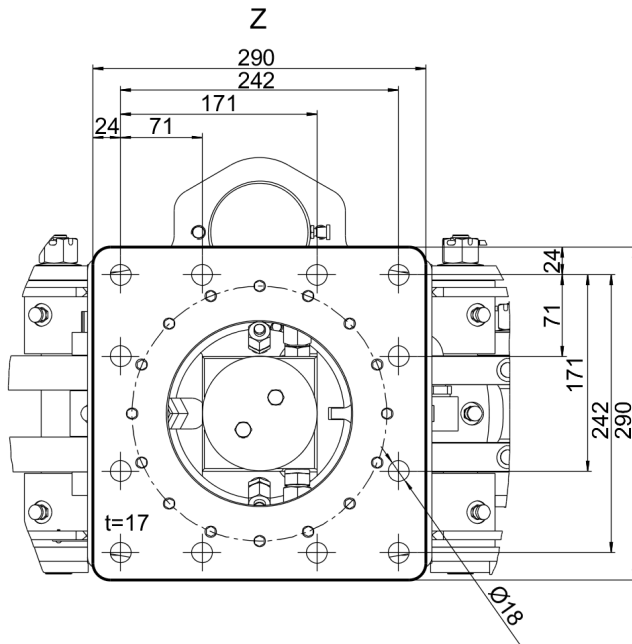
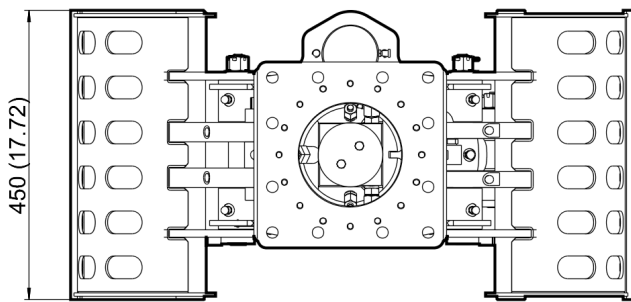
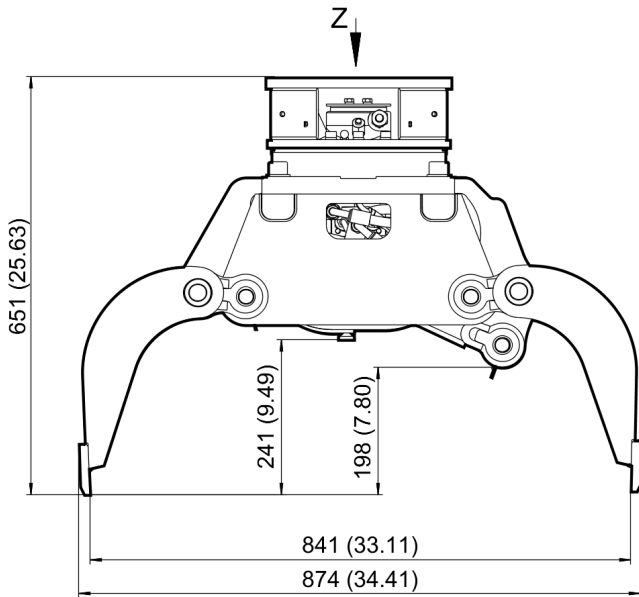
NO EXPLODED VIEW  
AVAILABLE  
FOR THIS BOM

Item	Part No.	Name	Qty	L
64	-	ALLEN SCREW - 590 + 60 Nm (435 + 44 ft lbf)	-	
67	-	ALLEN SCREW - 36 + 3 Nm (27 + 2 ft lbf)	-	
123	-	GREASE NIPPLE - 8 + 2 Nm (6 + 1 ft lbf)	-	
214	-	GREASE NIPPLE - 8 + 2 Nm (6 + 1 ft lbf)	-	
404	-	GREASE NIPPLE - 8 + 2 Nm (6 + 1 ft lbf)	-	
607	-	ALLEN SCREW - 70 + 7 Nm (52 + 5 ft lbf)	-	
608	-	ALLEN SCREW - 70 + 7 Nm (52 + 5 ft lbf)	-	
610	-	CAP SCREW - 110 + 25 Nm (81 + 18 ft lbf)	-	
614	-	COUNTERSUNK SCREW - 30 + 3 Nm (22 + 2 ft lbf)	-	A
618	-	ALLEN SCREW - 36 + 3 Nm (27 + 2 ft lbf)	-	
619	-	ALLEN SCREW - 36 + 3 Nm (27 + 2 ft lbf)	-	
643	-	GREASE NIPPLE - 8 + 2 Nm (6 + 1 ft lbf)	-	
644	-	GREASE NIPPLE - 8 + 2 Nm (6 + 1 ft lbf)	-	
707	-	HEXAGON HEAD SCREW - 30 + 6 Nm (22 + 4 ft lbf)	-	

Comments for Page: Tightening torques

A | locked with Loctite 243

Mechanical Dimensions



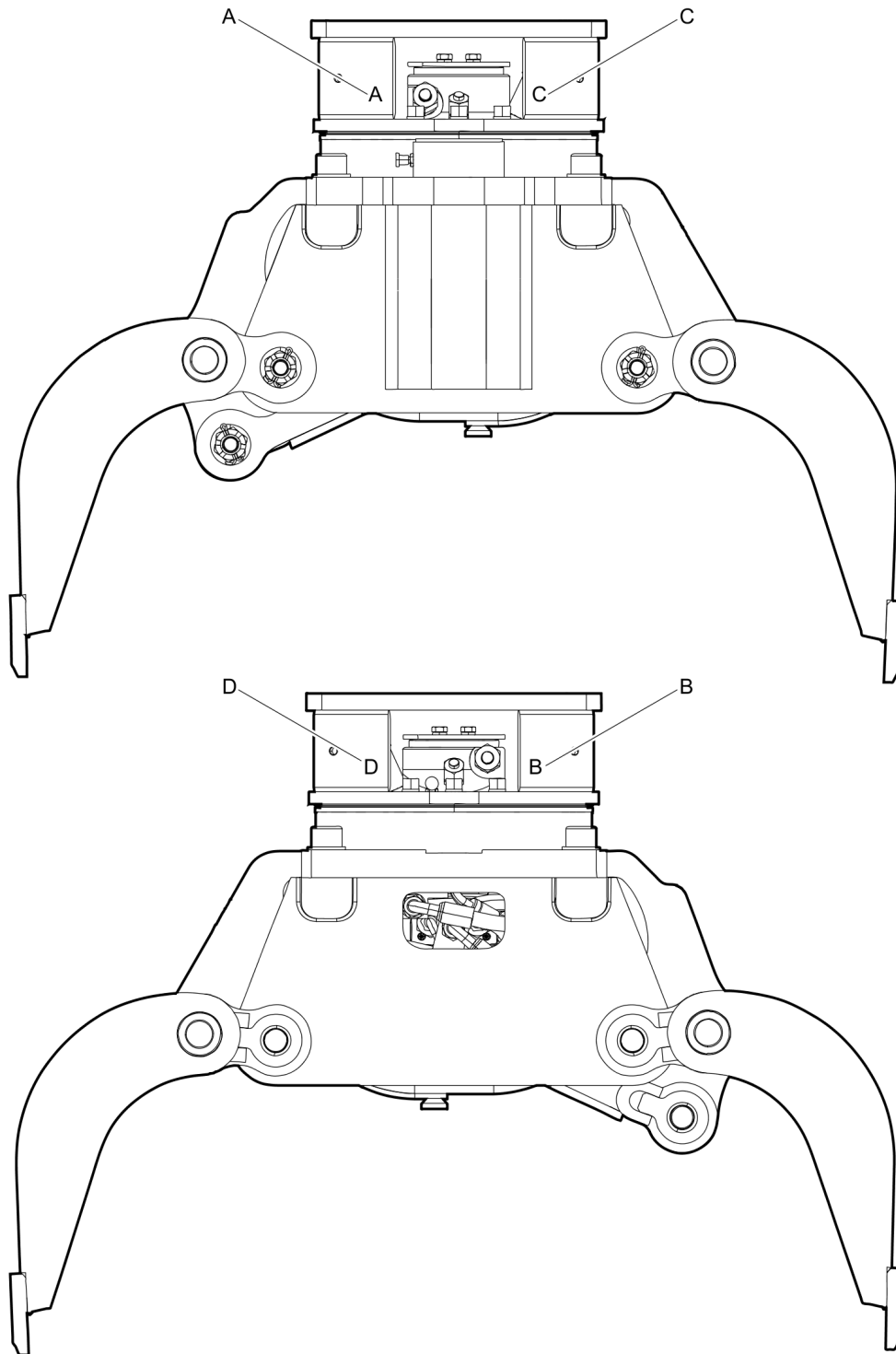
Refer to the DocMine web page for most up-to-date information. The printed information might be outdated.

Mon Nov 18 10:27:46 UTC 2024



This page intentionally left blank

Options / accessories Hydraulic ports, hydraulic hoses



Item	Part No.	Name	Qty	L
-	-	Open - Close		
-	3363094540	HYDRAULIC HOSE, I.D. 10 (3/8 in.) both ends M20 x 1.5, conical seal 24°, length 2000 mm (78.4 in.)	2	
-	-	Rotation		
-	3363094541	HYDRAULIC HOSE, I.D. 8 both ends M16 x 1.5, conical seal 24°, length 2000 mm (78.74 in.)	2	

Comments for Page: Hydraulic ports, hydraulic hoses

Hydraulic ports

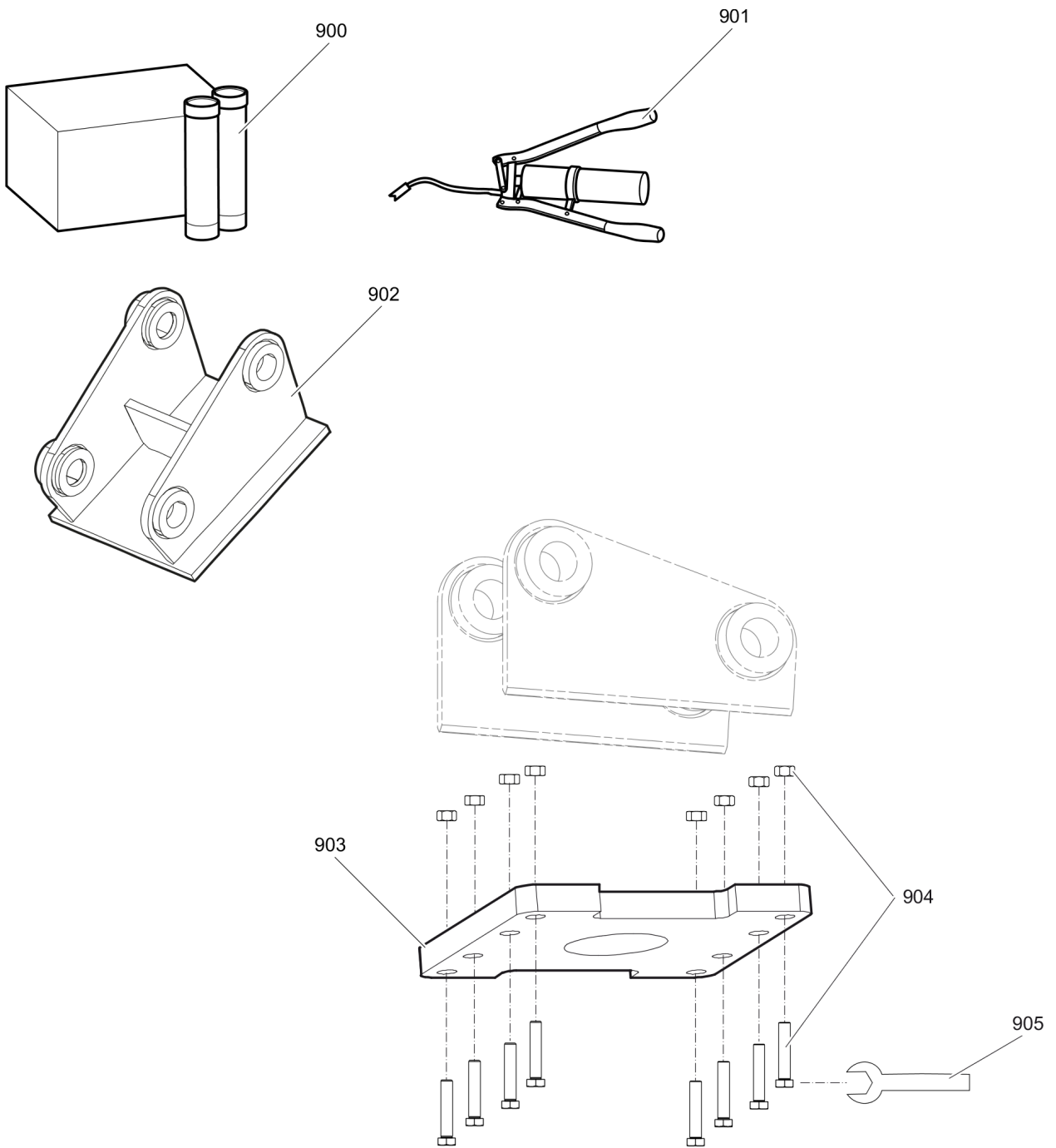
A | open

B | close

C | rotation counterclockwise

D | rotation clockwise

Options / accessories Optional equipment



Item	Part No.	Name	Qty	L
900	3363094914	CUTTER GREASE CARTRIDGE, 12 x 400 g (0.88 lbs)	1	
901	0909107100	LUBRICAT.GUN	1	
902		ADAPTER PLATE matching the carrier. Consult the authorized Customer Center/Dealer in your area.	1	
902	3315304300	BASE PLATE with through borings	1	
904	3315296490	BOLT KIT	1	
905	3360430655	OPEN END SPANNER (24/27 mm)	1	





Any unauthorized use or copying of the contents or any part thereof is prohibited.  
This applies in particular to trademarks, model denominations, part numbers, and drawings.