

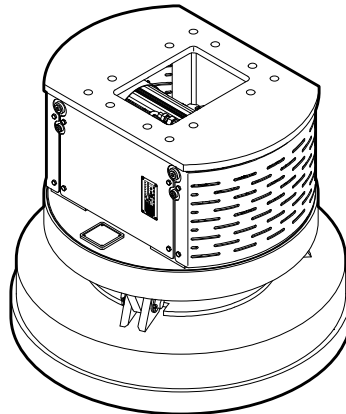
HM 1500 F, HM 1500 M

Spare parts list

Hydraulic Magnets

HM 1500 F s/n DEQ209075 - DEQ219094

HM 1500 M s/n DEQ209075 - DEQ219094



General information

This spare parts list applies to the following:

Part number	Description
3382060000	Hydro Magnet HM 1500 F
3382060100	Hydro Magnet HM 1500 M

Use only authorized parts. Any damage or malfunction caused by the use of unauthorized parts is not covered by Warranty or Product Liability. Any unauthorized use or copying of the contents or any part thereof is prohibited. This applies in particular to trademarks, model denominations, part numbers, and drawings.

Instructions for use

This spare parts list contains no safety regulations and is merely intended to assist in the ordering of spare parts.

For information about operating, servicing, or repairing, the relevant Safety and operating instructions must be consulted at all costs.

Please observe the safety instructions listed in the relevant Safety and operating instructions!

Instructions for ordering

It is essential to indicate the serial number of the hydraulic attachment when ordering spare parts!

Please note the full identification number of your hydraulic attachment.

Determine the quantity of individual parts which are required and need to be ordered. The order must indicate the following details:

- full identification code of the hydraulic attachment
- required quantity
- part number
- description

Service, repair and wear part kits

Kit List1

Mechanical

Hydro Magnet F 3
Hydro Magnet M5
Generator 7
Hydraulic pressure side 9
Hydraulic control gripper 11
Hydraulic return line small 13
Hydraulic return line big 15
Hydraulic valve 17
Tightening torques 19
Dimensions 21

Options / accessories

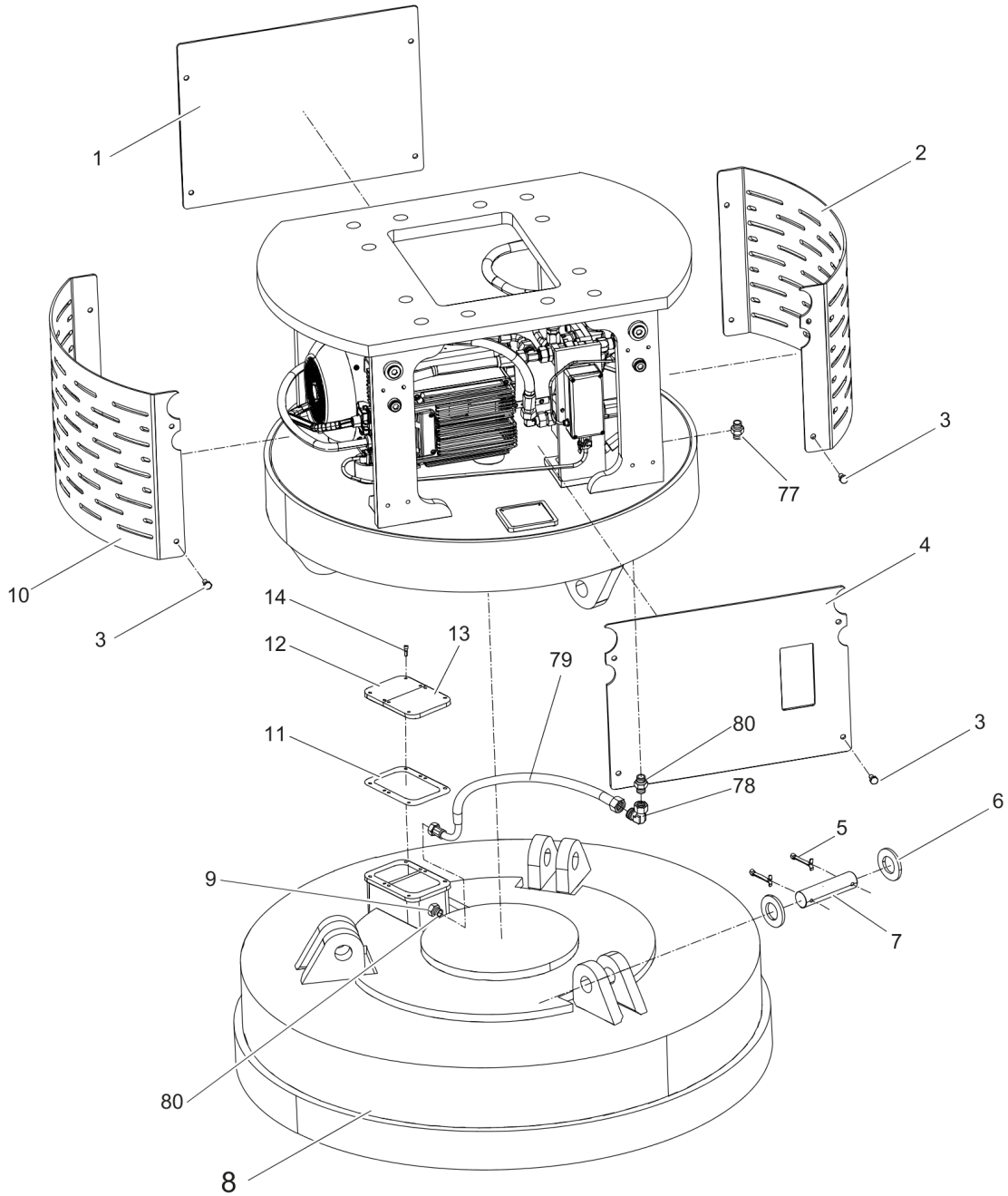
Hydraulic hoses 22
Optional equipment 25

Service, repair and wear part kits Kit List

NO EXPLODED VIEW
AVAILABLE
FOR THIS BOM

Item	Part No.	Name	Qty	L
KIT	3363115721	Label kit	1	
KIT	3382060262	Rubber isolator kit	1	
31	3360433382	Hexagon head bolt	4	
32	3361850596	Pair of lock washers	8	
33	3360203486	Washer	4	
34	3382060215	Rubber isolator	4	
35	3382060216	Hexagon head bolt	4	
KIT	3382060260	Seal kit (Hydraulic motor)	1	

Mechanical Hydro Magnet F



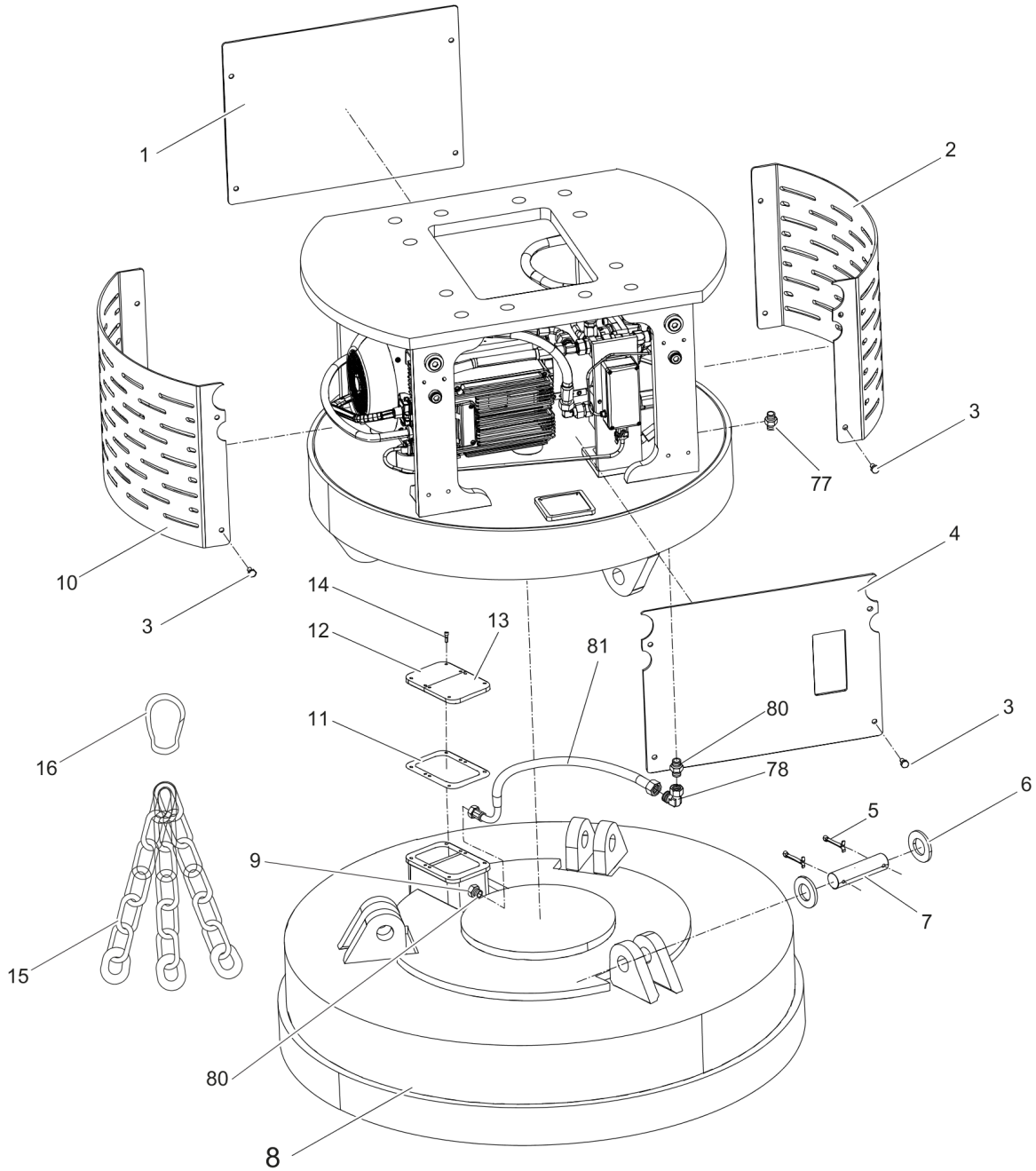
Item	Part No.	Name	Qty	L
1	3382060201	Cover, back	1	
2	3382060202	Cover, right	1	
3	3382060203	Hexagon head bolt	16	
4	3382060204	Cover, front	1	
5	3382060205	Pin	6	
6	3382060206	Disk	6	
7	3382060207	Bolt	3	
8	3382060001	Magnet plate	1	
9	3382060210	Fitting	1	
10	3382060211	Cover, left	1	
11	3382060308	Seal	1	
12	3382060307	Cover	1	A
13	3382060306	Cover	1	B
14	3382060309	Allen screw	8	
77	3382060210	Fitting	1	
78	3382060311	Fitting	1	
79	3382060312	Hydraulic hose, length 570 mm (22 in.)	1	
80	3382060313	Fitting	2	

Comments for Page: Hydro Magnet F

A | small

B | big

Mechanical Hydro Magnet M



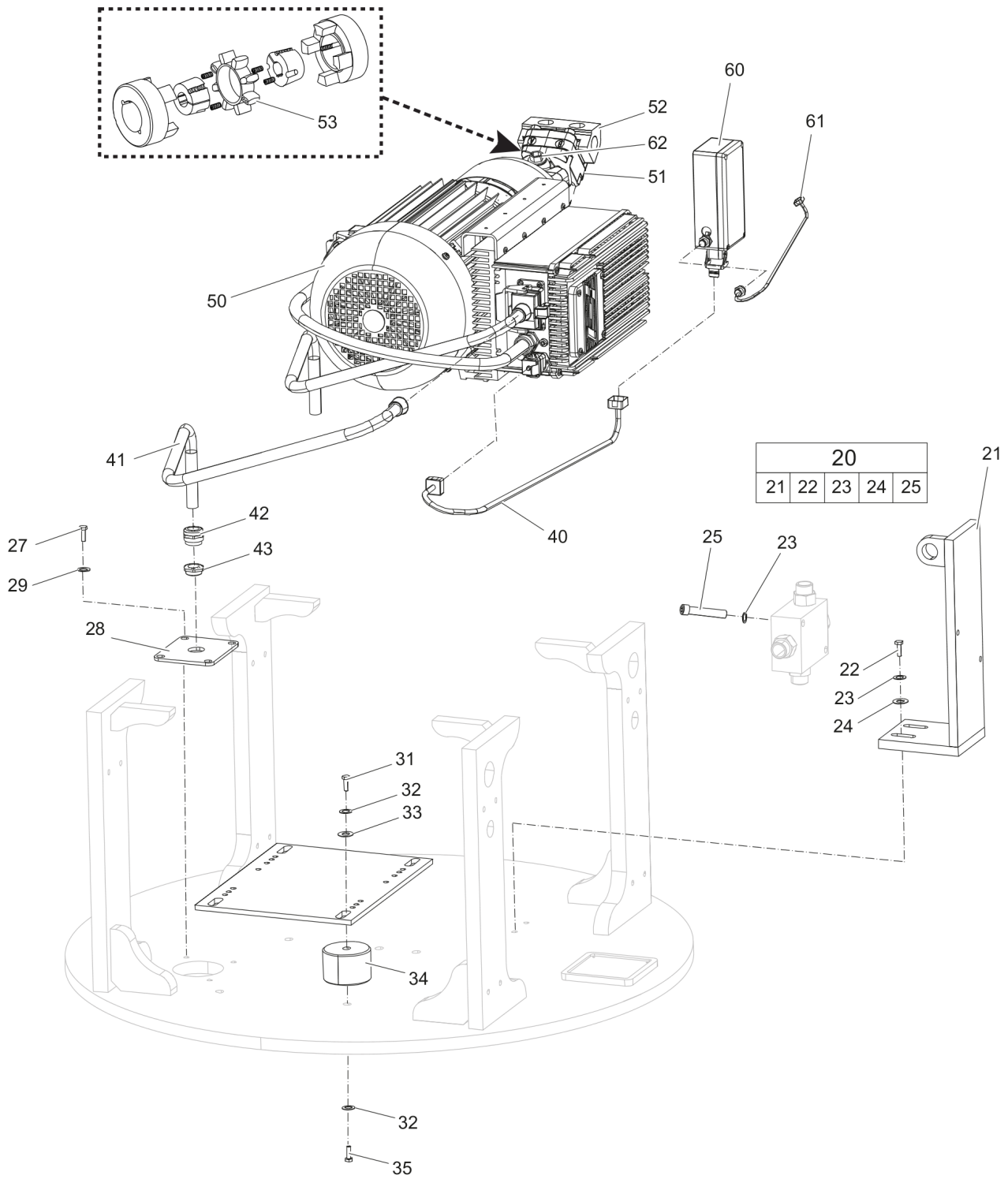
Item	Part No.	Name	Qty	L
1	3382060201	Cover, back	1	
2	3382060202	Cover, right	1	
3	3382060203	Hexagon head bolt	16	
4	3382060204	Cover, front	1	
5	3382060205	Pin	6	
6	3382060206	Disk	6	
7	3382060207	Bolt	3	
8	3382060001	Magnet plate	1	
9	3382060210	Fitting	1	
10	3382060211	Cover, left	1	
11	3382060308	Seal	1	
12	3382060307	Cover	1	A
13	3382060306	Cover	1	B
14	3382060309	Allen screw	8	
15	3382060301	Chain	1	
16	3382060302	Snap hook	1	
77	3382060210	Fitting	1	
78	3382060311	Fitting	1	
80	3382060313	Fitting	2	
81	3382060317	Hydraulic hose, length 620 mm (24 in.)	1	

Comments for Page: Hydro Magnet M

A | small

B | big

Mechanical Generator



Refer to the DocMine web page for most up-to-date information. The printed information might be outdated.
Wed Apr 20 06:05:46 UTC 2022

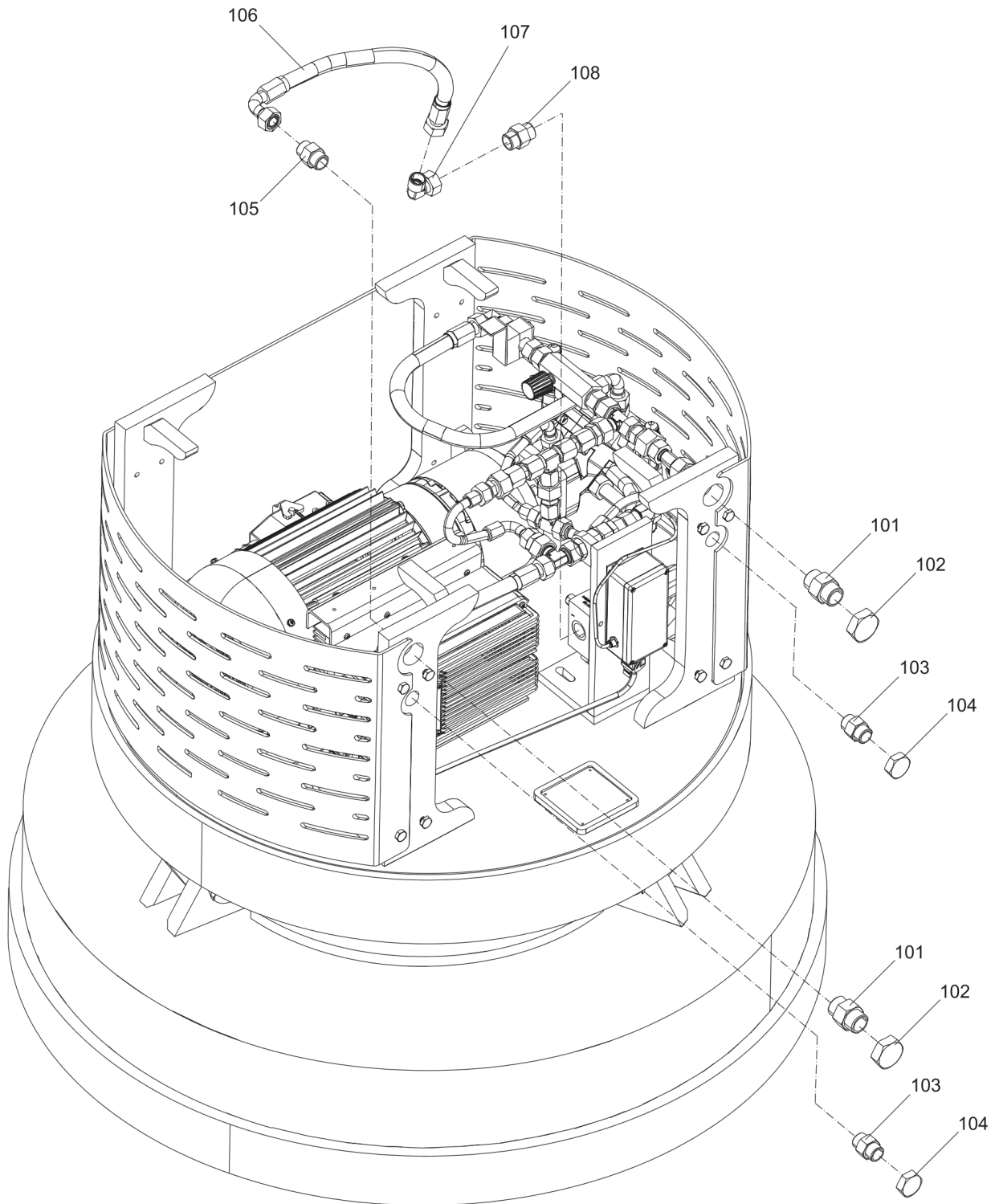
Item	Part No.	Name	Qty	L
20(21-25)	3382060212	Fastener complete	1	
21	-	Fastener	1	
22	3360103309	Hexagon head bolt	2	
23	3361850745	Pair of lock washers	4	
24	3360203483	Washer	2	
25	3362060251	Cylindrical bolt	2	
27	3360103306	Hexagon head bolt	4	
28	3382060214	Plate	1	
29	3360203483	Washer	4	
31	3360433382	Hexagon head bolt	4	
32	3361850596	Pair of lock washers	8	
33	3360203486	Washer	4	
34	3382060215	Rubber isolator	4	
35	3382060216	Hexagon head bolt	4	
40	3382060217	Cable (Display/Generator)	1	
41	3382060218	Cable (Generator/Magnet plate)	1	
42	3382060219	Fitting	1	
43	3382060220	Locknut	1	
50	3382060221	Generator complete	1	
51	3382060261	Coupling	1	A
52	3382060259	Hydraulic motor	1	
53	3382060305	Coupling star	1	
60	3382060263	Display	1	
61	3382060315	Cable with plug	1	
62	3382060252	Fitting	1	B

Comments for Page: Generator

A | with item 53

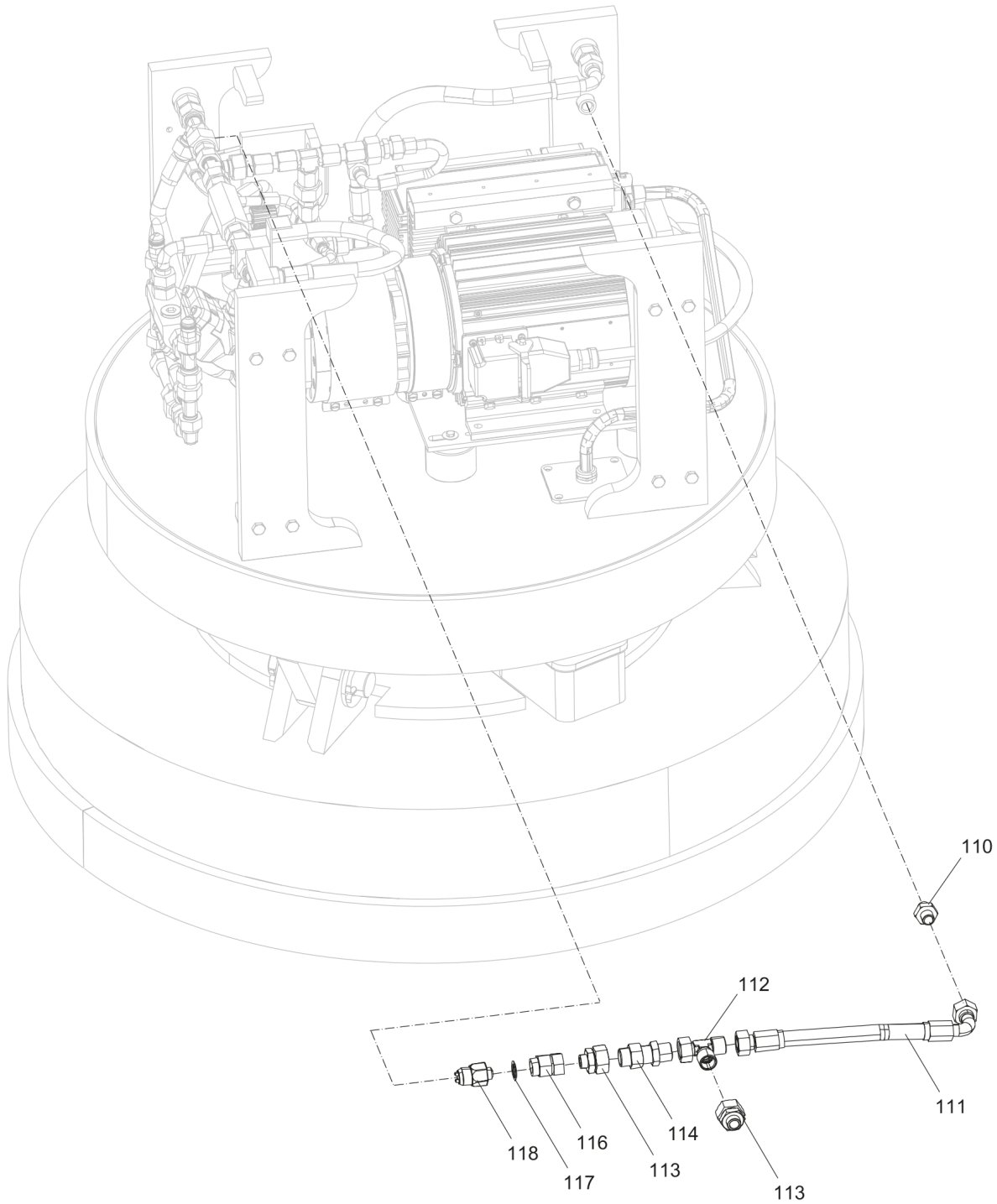
B | for drain line

Mechanical Hydraulic pressure side



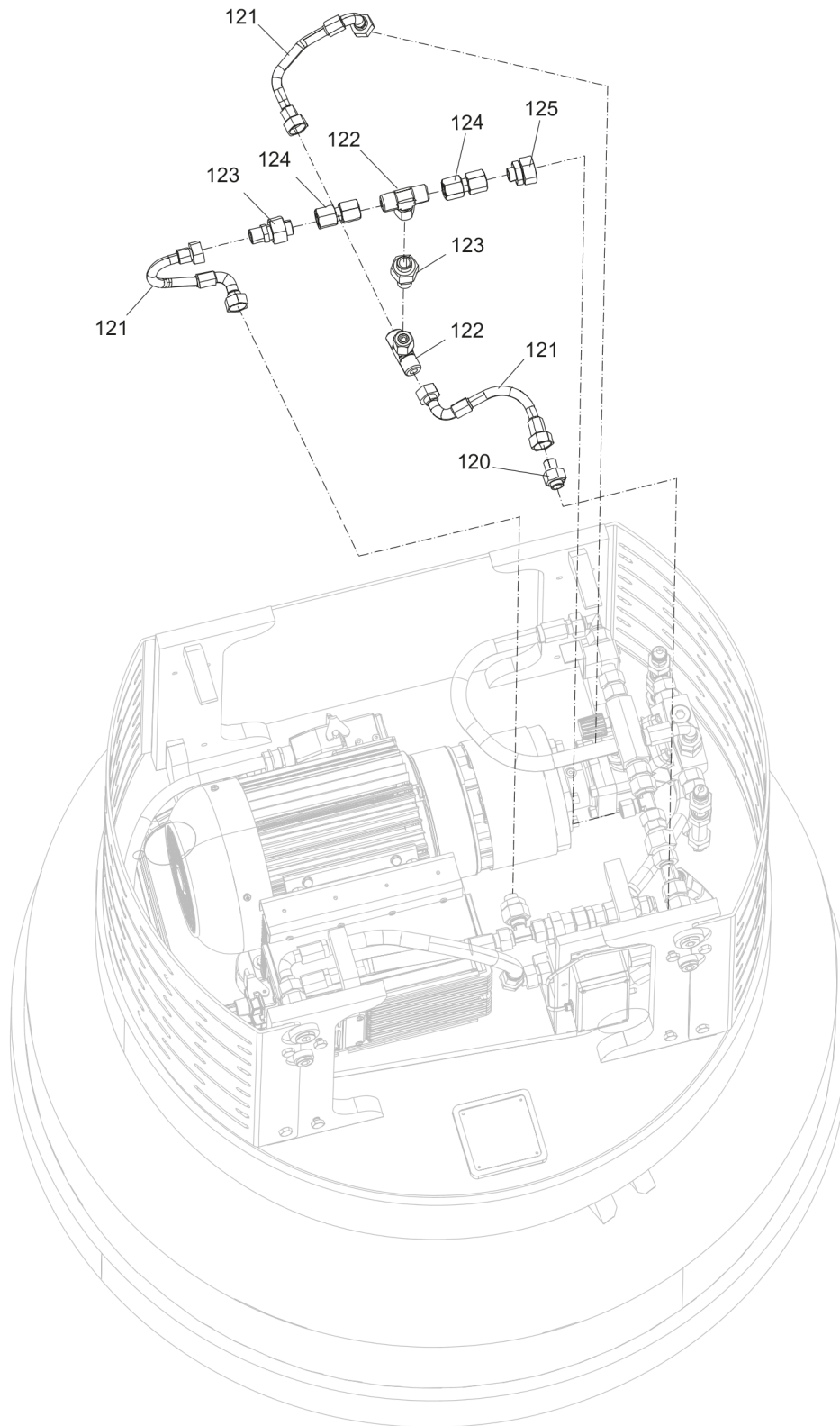
Item	Part No.	Name	Qty	L
101	3382060264	Fitting	2	
102	3361031956	Plug	2	
103	3360478333	Fitting	2	
104	3360314593	Plug	2	
105	3382060222	Fitting	1	
106	3382060223	Hydraulic hose	1	
107	3382060224	Fitting	1	
108	3382060225	Fitting	1	

Mechanical Hydraulic control gripper



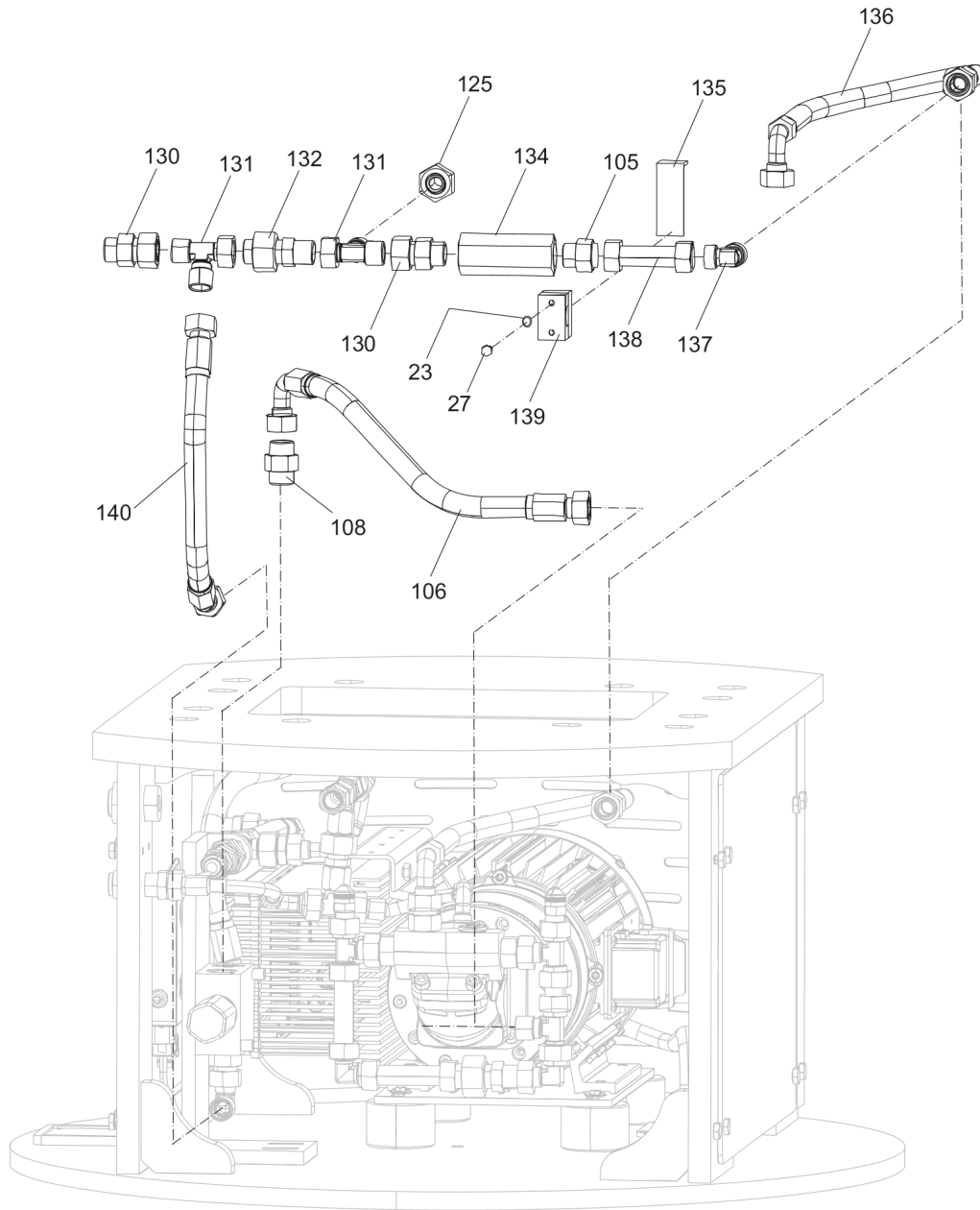
Item	Part No.	Name	Qty	L
110	3382060226	Fitting	1	
111	3382060227	Hydraulic hose	1	
112	3382060228	Fitting	1	
113	3382060229	Reducer	2	
114	3382060230	Fitting	1	
116	3382060231	Reducer	1	
117	3382060232	Seal ring	1	
118	3382060314	Pressure switch	1	

Mechanical Hydraulic return line small



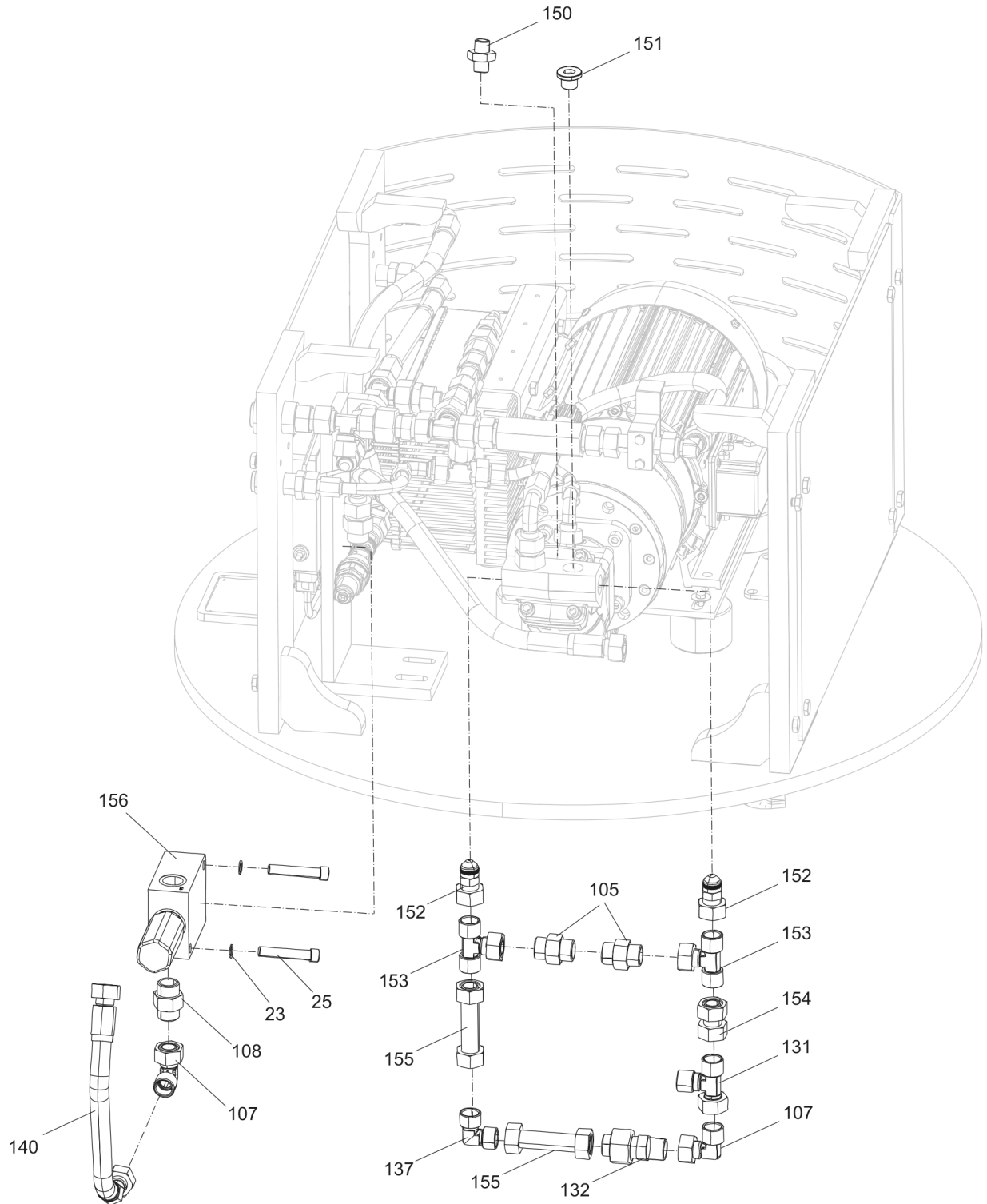
Item	Part No.	Name	Qty	L
120	3382060235	Fitting	1	
121	3382060236	Hydraulic hose	3	
122	3382060237	Fitting	2	
123	3382060238	Non-return valve	2	
124	3382060239	Fitting	2	
125	3382060240	Fitting	1	

Mechanical Hydraulic return line big



Item	Part No.	Name	Qty	L
23	3361850745	Pair of lock washers	2	
27	3360103306	Hexagon head bolt	2	
105	3382060222	Fitting	1	
106	3382060223	Hydraulic hose	1	
108	3382060225	Fitting	1	
125	3382060240	Fitting	1	
130	3382060241	Fitting	2	
131	3382060242	Fitting	2	
132	3382060243	Non-return valve	1	
134	3382060244	Throttle valve	1	
135	3382060245	Fastener magnet	1	
136	3382060246	Hydraulic hose	1	
137	3382060247	Fitting	1	
138	3382060248	Hydraulic pipe	1	
139	3382060249	Clamp	1	
140	3382060250	Hydraulic hose	1	

Mechanical Hydraulic valve



Refer to the DocMine web page for most up-to-date information. The printed information might be outdated.
Wed Apr 20 06:05:50 UTC 2022

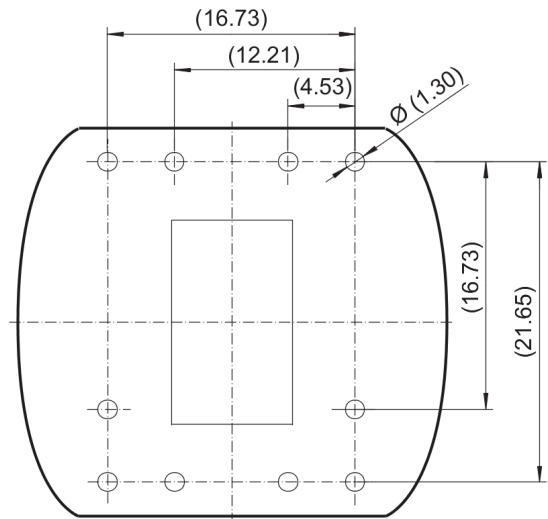
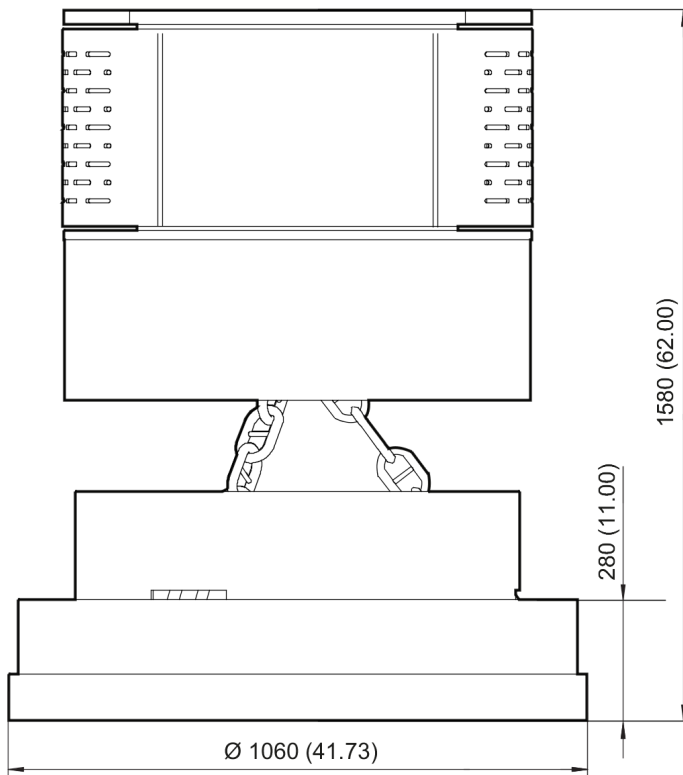
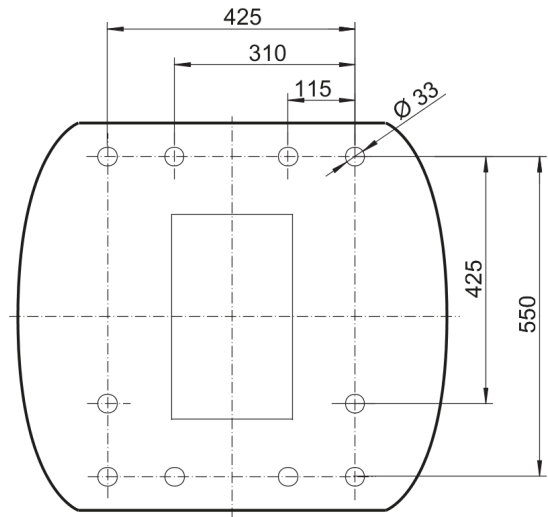
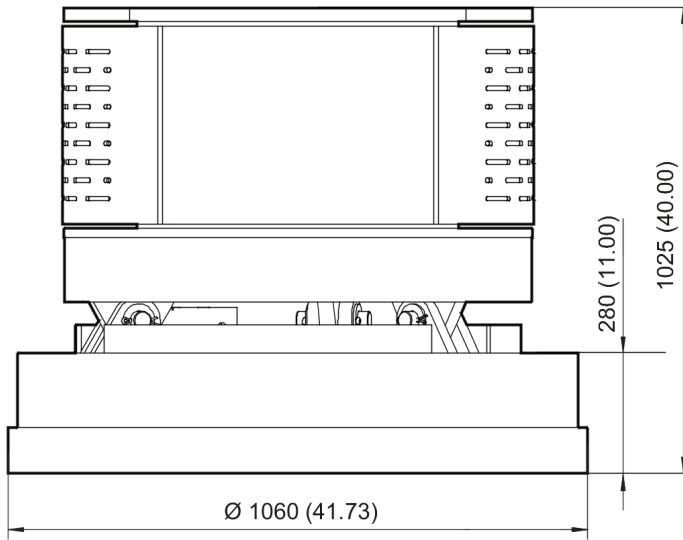
Item	Part No.	Name	Qty	L
23	3361850745	Pair of lock washers	2	
25	3362060251	Cylindrical bolt	2	
105	3382060222	Fitting	2	
107	3382060224	Fitting	2	
108	3382060225	Fitting	1	
131	3382060242	Fitting	1	
132	3382060243	Non-return valve	1	
137	3382060247	Fitting	1	
140	3382060250	Hydraulic hose	1	
150	3382060252	Fitting	1	
151	3382060253	Fitting	1	
152	3382060254	Test port	2	
153	3382060255	Fitting	2	
154	3382060256	Fitting	1	
155	3382060257	Hydraulic pipe	2	
156	3382060258	Valve	1	

Mechanical Tightening torques

NO EXPLODED VIEW
AVAILABLE
FOR THIS BOM

Item	Part No.	Name	Qty	L
14	-	Allen screw - 8 Nm (6 ft lbf)	-	
101	-	Fitting - 275 Nm (203 ft lbf)	-	
103	-	Fitting - 70 + 10 Nm (52 + 7 ft lbf)	-	

Mechanical Dimensions



This page intentionally left blank

Options / accessories Hydraulic hoses

**NO EXPLODED VIEW
AVAILABLE
FOR THIS BOM**

Item	Part No.	Name	Qty	L
Not Shown	-	HYDRAULIC MOTOR	-	
-	3360992340	Hydraulic hose, I.D. 25 (1"), both ends M42 x 2 conical seal 24°, length 2300 mm (91 in.)	2	
-	3361853859	Hydraulic hose, I.D. 25 (1"), both ends M42 x 2 conical seal 24°, length 2800 mm (110 in.)	2	
Not Shown	-	Activation magnet plate	-	
-	3363031767	Hydraulic hose, I.D. 8 (3/8"), both ends M20 x 1.5 conical seal 24°, length 2800 mm (110 in.)	1 (2)*	A
-	3363034399	Hydraulic hose, I.D. 8 (3/8"), both ends M20 x 1.5 conical seal 24°, length 3500 mm (138 in.)	1 (2)*	A

Comments for Page: Hydraulic hoses

(L)OCAL REMARKS

A | * if drain line is needed

Options / accessories Optional equipment

**NO EXPLODED VIEW
AVAILABLE
FOR THIS BOM**

Item	Part No.	Name	Qty	L
-	3382060265	System tester	1	
-	3382060266	Field support box	1	
-		Adapter plate matching the carrier. Consult the authorized Customer Center/Dealer in your area.	1	
-	3363099799	Base plate with threaded inserts	1	
-	3363087306	Bolt kit	1	
-	3363100697	Base plate with through borings	1	
-	3363094579	Bolt kit	1	
-	3360430655	Open end spanner (24/27 mm)	1	
Not Shown	-	Retrofit cable protection HM 1500 F	-	
77	3382060210	Fitting	1	
78	3382060311	Fitting	1	
79	3382060312	Hydraulic hose, length 570 mm (22 in.)	1	
80	3382060313	Fitting	2	
-	3382060316	Adapter	1	A
Not Shown	-	Retrofit cable protection HM 1500 M	-	
77	3382060210	Fitting	1	
78	3382060311	Fitting	1	
80	3382060313	Fitting	2	
81	3382060317	Hydraulic hose, length 620 mm (24 in.)	1	
-	3382060316	Adapter	1	A

Comments for Page: Optional equipment

A | professional welding process necessary

Any unauthorized use or copying of the contents or any part thereof is prohibited.
This applies in particular to trademarks, model denominations, part numbers, and drawings.