

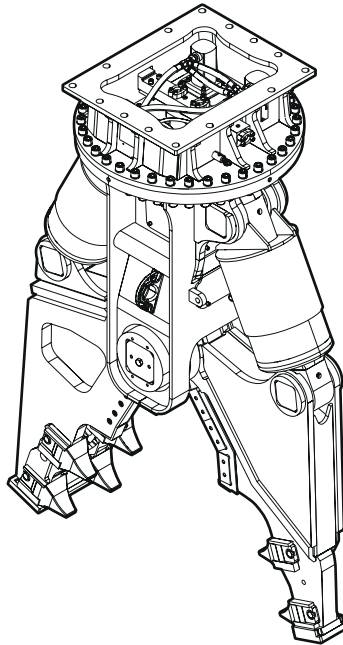
CC 7000 U, 7000 S

Spare parts list

Hydraulic demolition cutter

CC 7000 U s/n DEQ179059 -

CC 7000 S s/n DEQ179059 -



General information

This spare parts list applies to the following:

Part number	Description
3363118600	Hydraulic demolition cutter CC 7000 U
3363119318	Hydraulic demolition cutter CC 7000 S
3363124926	Hydraulic demolition cutter CC 7000 U with HATCON (3G)
3363124927	Hydraulic demolition cutter CC 7000 S with HATCON (3G)
3363126940	Hydraulic demolition cutter CC 7000 U with HATCON (LTE)
3363126941	Hydraulic demolition cutter CC 7000 S with HATCON (LTE)

Use only authorized parts. Any damage or malfunction caused by the use of unauthorized parts is not covered by Warranty or Product Liability. Any unauthorized use or copying of the contents or any part thereof is prohibited. This applies in particular to trademarks, model denominations, part numbers, and drawings.

Instructions for use

This spare parts list contains no safety regulations and is merely intended to assist in the ordering of spare parts.

For information about operating, servicing, or repairing, the relevant Safety and operating instructions must be consulted at all costs.

Please observe the safety instructions listed in the relevant Safety and operating instructions!

Instructions for ordering

It is essential to indicate the serial number of the hydraulic attachment when ordering spare parts!

Please note the full identification number of your hydraulic attachment.

Determine the quantity of individual parts which are required and need to be ordered. The order must indicate the following details:

- full identification code of the hydraulic attachment
- required quantity
- part number
- description

Service, repair and wear part kits

Hose kit (casing) 1
Cutter blades kit U 3
Cutter blades kit 5
Tip of tooth kit 7
Sliding plate kit 9
Seal kit (Hydraulic cylinder) 11
Kit list 13

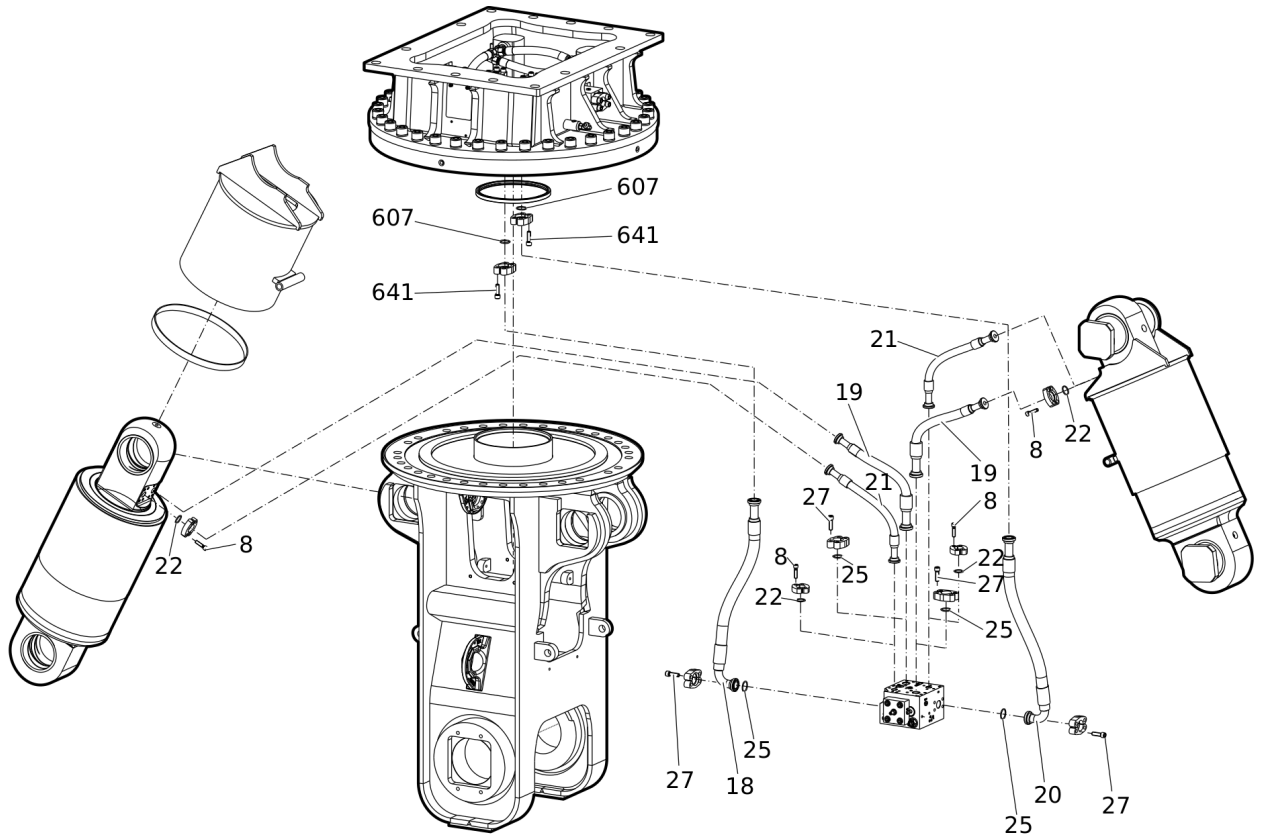
Mechanical

Hydraulic demolition cutter part 1 15
Hydraulic demolition cutter part 2 17
Hydraulic cylinder 20
Cutter jaw pair U complete 23
Cutter jaw (single) U 25
Cutter jaw (double) U 27
Cutter jaw pair S complete 29
Cutter jaw (single) S 31
Cutter jaw (double) S 33
Upper part complete 35
Rotary transmission 38
HATCON 41
Tightening torques 43
Dimensions CC 7000 U 45
Dimensions CC 7000 S 46

Options / accessories

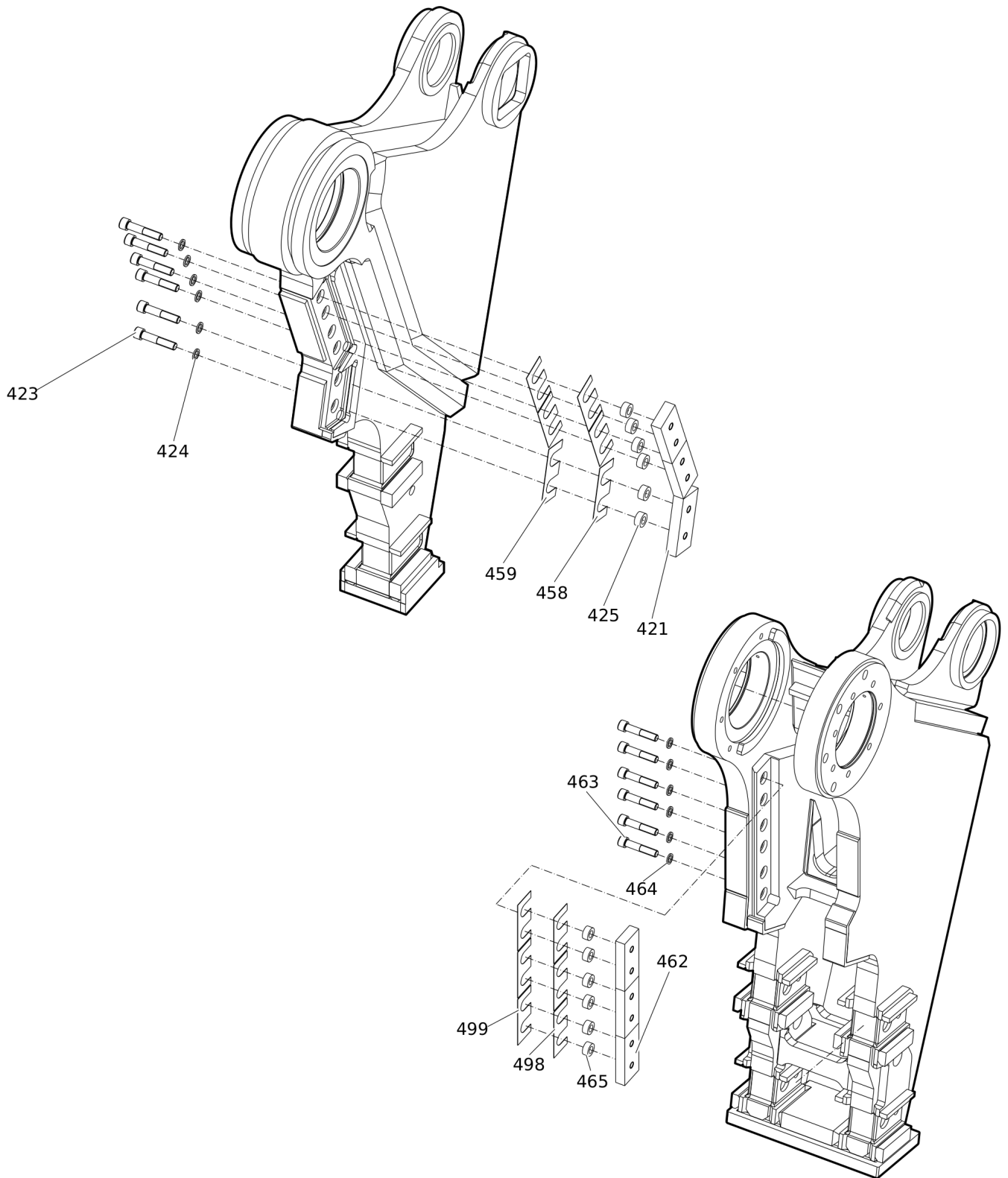
Hydraulic hoses 48
Optional equipment 51

Service, repair and wear part kits Hose kit (casing)



Item	Part No.	Name	Qty	L
KIT	3363103662	HOSE KIT (casing)	1	
8	3360026513	ALLEN SCREW	24	
18	3363105482	HYDRAULIC HOSE	1	
19	3363099405	HYDRAULIC HOSE	2	
20	3363105483	HYDRAULIC HOSE	1	
21	3363105484	HYDRAULIC HOSE	2	
22	3360314370	O-RING	6	
25	3360314372	O-RING	4	
27	3363034274	ALLEN SCREW	16	
607	3360314372	O-RING	2	
641	3363034274	ALLEN SCREW	8	

Service, repair and wear part kits Cutter blades kit U

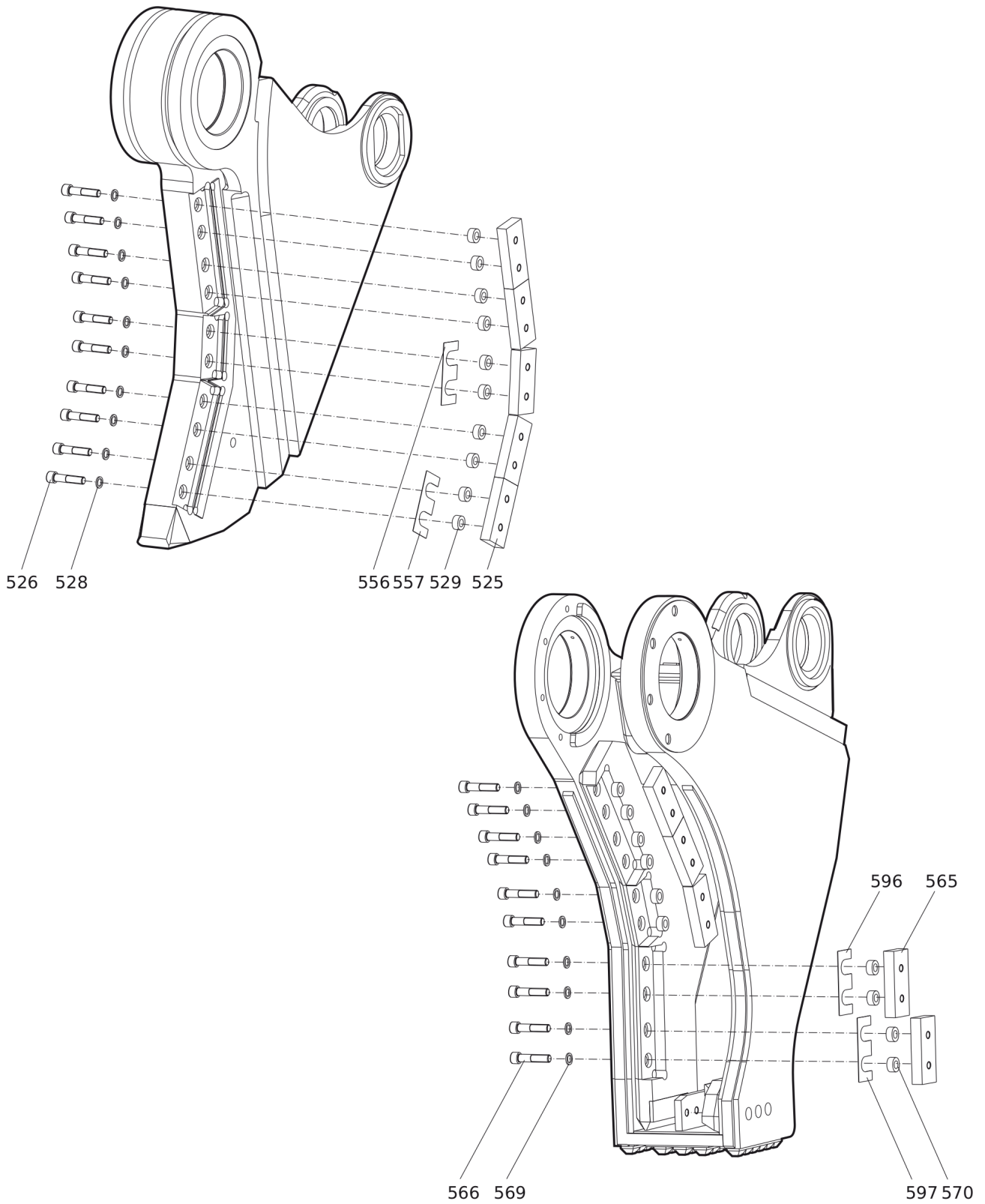


Refer to the DocMine web page for most up-to-date information. The printed information might be outdated.

Wed Nov 13 11:18:08 UTC 2024

Item	Part No.	Name	Qty	L
KIT	3363120545	CUTTER BLADES KIT U	1	
421	3363086479	CUTTER BLADE	3	
423	3360106100	ALLEN SCREW	6	
424	3361850748	PAIR OF LOCK WASHERS	6	
425	3363035107	LOCK RING	6	
458	3363088149	SHIM	3	
459	3363087607	SHIM	3	
462	3363086479	CUTTER BLADE	3	
463	3360106100	ALLEN SCREW	6	
464	3361850748	PAIR OF LOCK WASHERS	6	
465	3363035107	LOCK RING	6	
498	3363088149	SHIM	3	
499	3363087607	SHIM	3	

Service, repair and wear part kits Cutter blades kit

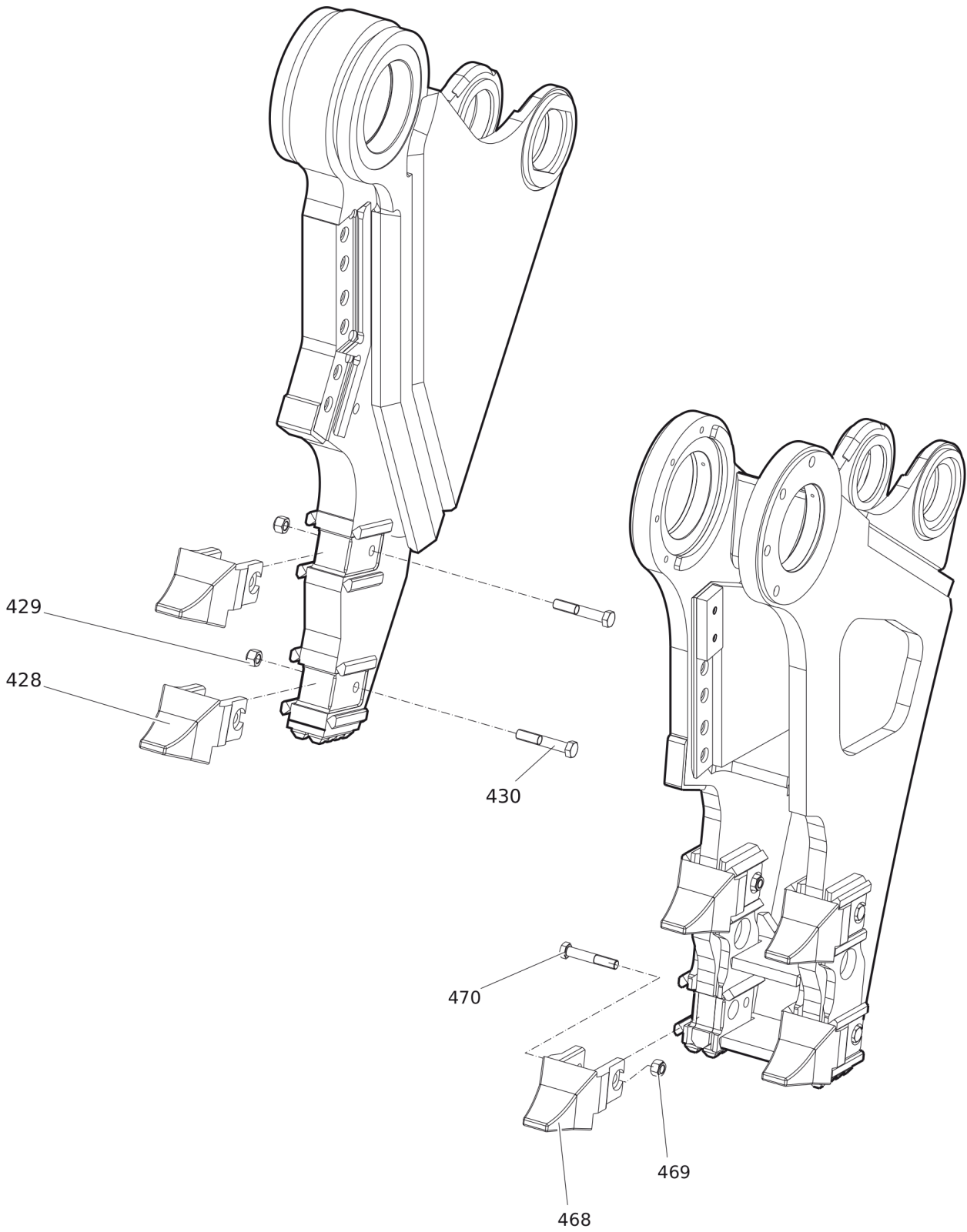


Refer to the DocMine web page for most up-to-date information. The printed information might be outdated.

Wed Nov 13 11:18:08 UTC 2024

Item	Part No.	Name	Qty	L
KIT	3363103647	CUTTER BLADES KIT S	1	
525	3363086479	CUTTER BLADE	5	
526	3360106099	ALLEN SCREW	10	
528	3361850748	PAIR OF LOCK WASHERS	10	
529	3363035107	LOCK RING	10	
556	3363088149	SHIM	5	
557	3363087607	SHIM	5	
565	3363086479	CUTTER BLADE	5	
566	3360106099	ALLEN SCREW	10	
569	3361850748	PAIR OF LOCK WASHERS	10	
570	3363035107	LOCK RING	10	
596	3363088149	SHIM	5	
597	3363087607	SHIM	5	

Service, repair and wear part kits Tip of tooth kit

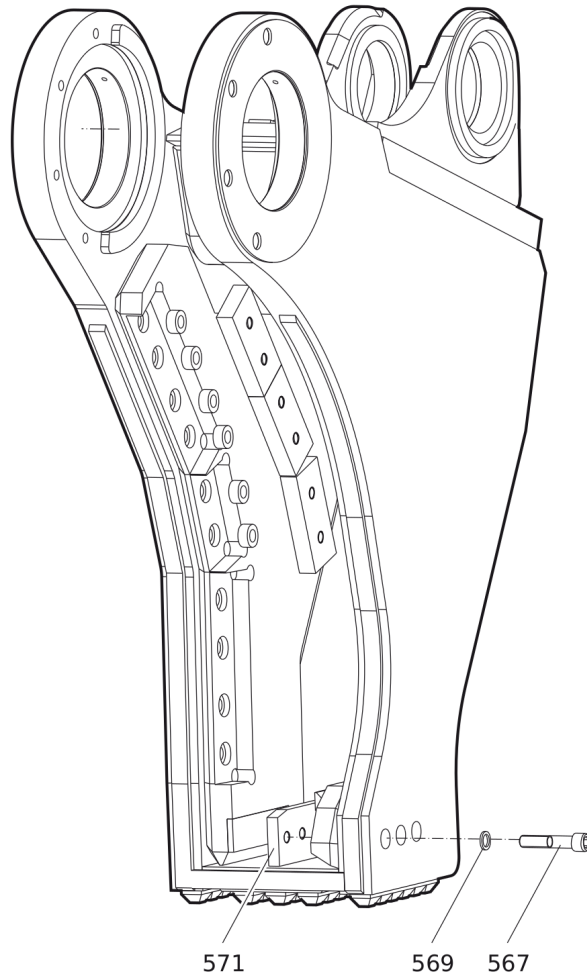


Refer to the DocMine web page for most up-to-date information. The printed information might be outdated.

Wed Nov 13 11:18:09 UTC 2024

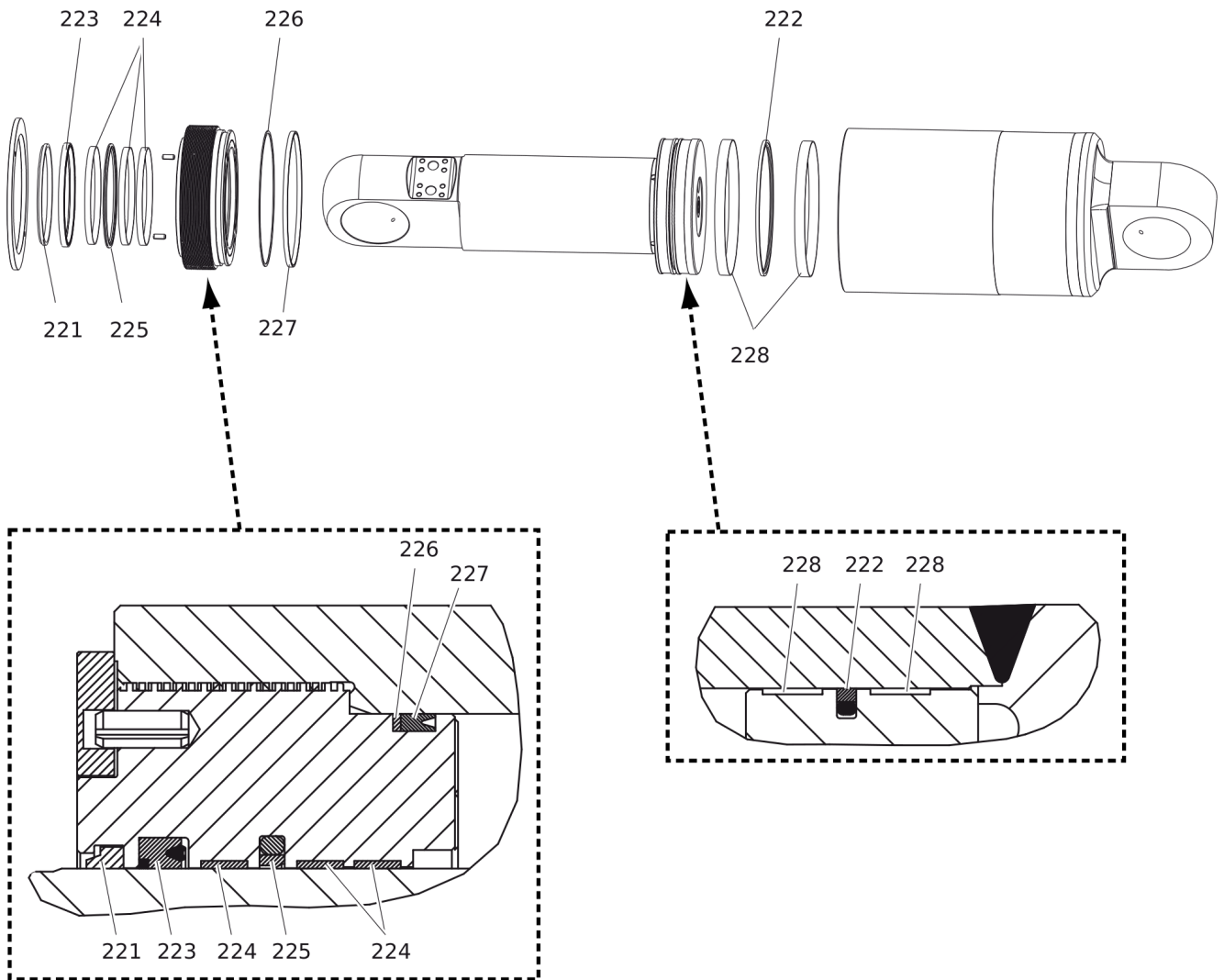
Item	Part No.	Name	Qty	L
KIT	3363103619	TIP OF TOOTH KIT U	1	
428	3363098963	TIP OF TOOTH	2	
429	3363098934	HEXAGON NUT	2	
430	3363083963	HEXAGON HEAD SCREW	2	
468	3363098963	TIP OF TOOTH	4	
469	3363098934	HEXAGON NUT	4	
470	3363083963	HEXAGON HEAD SCREW	4	

Service, repair and wear part kits Sliding plate kit



Item	Part No.	Name	Qty	L
KIT	3363103648	SLIDING PLATE KIT S	1	
567	3360106100	ALLEN SCREW	3	
569	3361850748	PAIR OF LOCK WASHERS	3	
571	3363090241	SLIDING PLATE	1	

Service, repair and wear part kits Seal kit (Hydraulic cylinder)



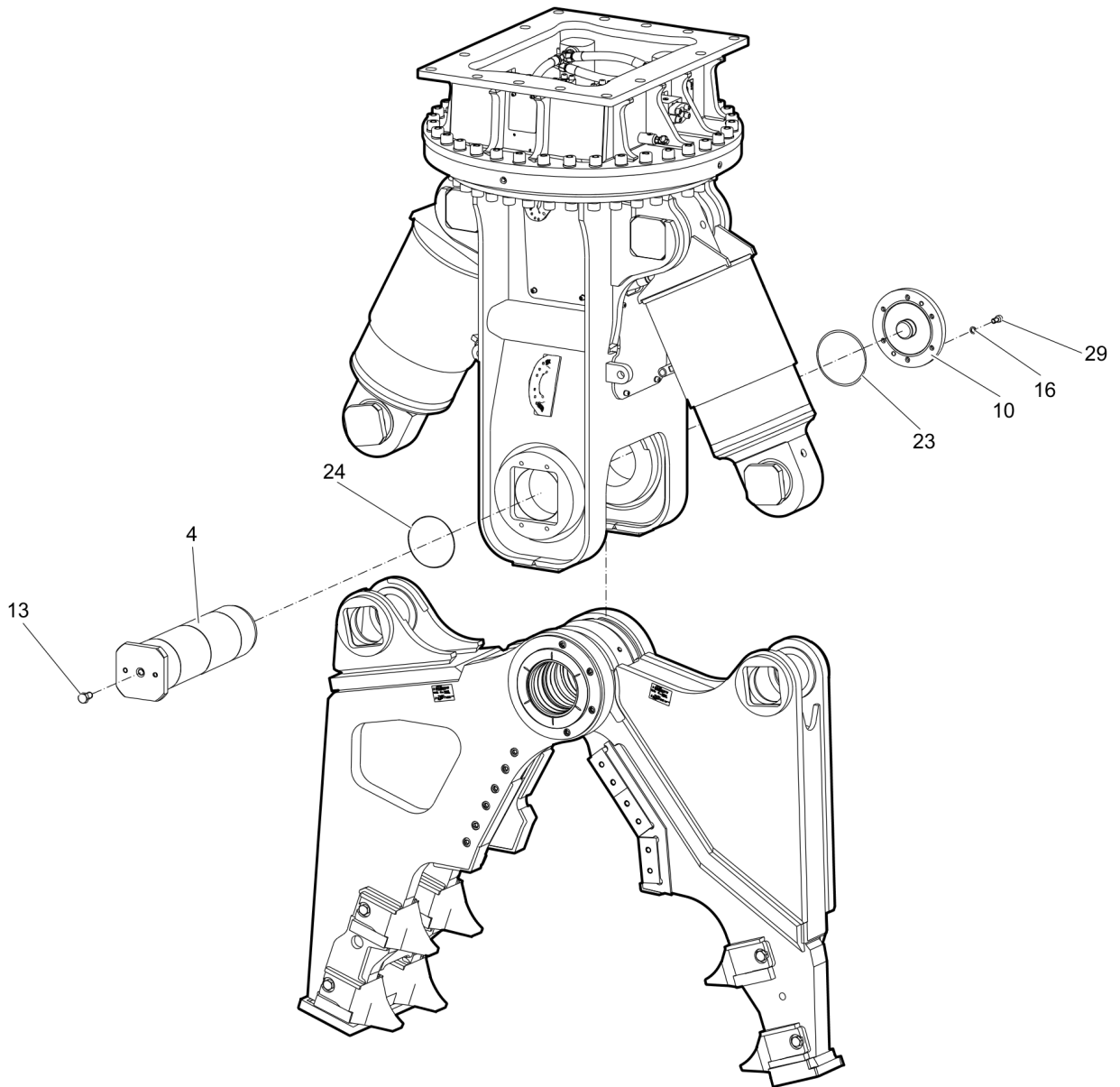
Item	Part No.	Name	Qty	L
KIT	3363106772	SEAL KIT (Hydraulic cylinder)	1	
221		WIPER	1	
222		SEAL	1	
223		SEAL	1	
224		GUIDE RING	3	
225		SEAL	1	
226		BACK-UP RING	1	
227		O-RING	1	
228		GUIDE RING	2	

Service, repair and wear part kits Kit list

NO EXPLODED VIEW
AVAILABLE
FOR THIS BOM

Item	Part No.	Name	Qty	L
KIT	3363118860	LABEL KIT	1	
KIT	3363126309	SEAL KIT (Hydraulic motor and housing)	1	
KIT	3363106314	SEAL KIT (Rapid movement valve)	1	

Mechanical Hydraulic demolition cutter part 1

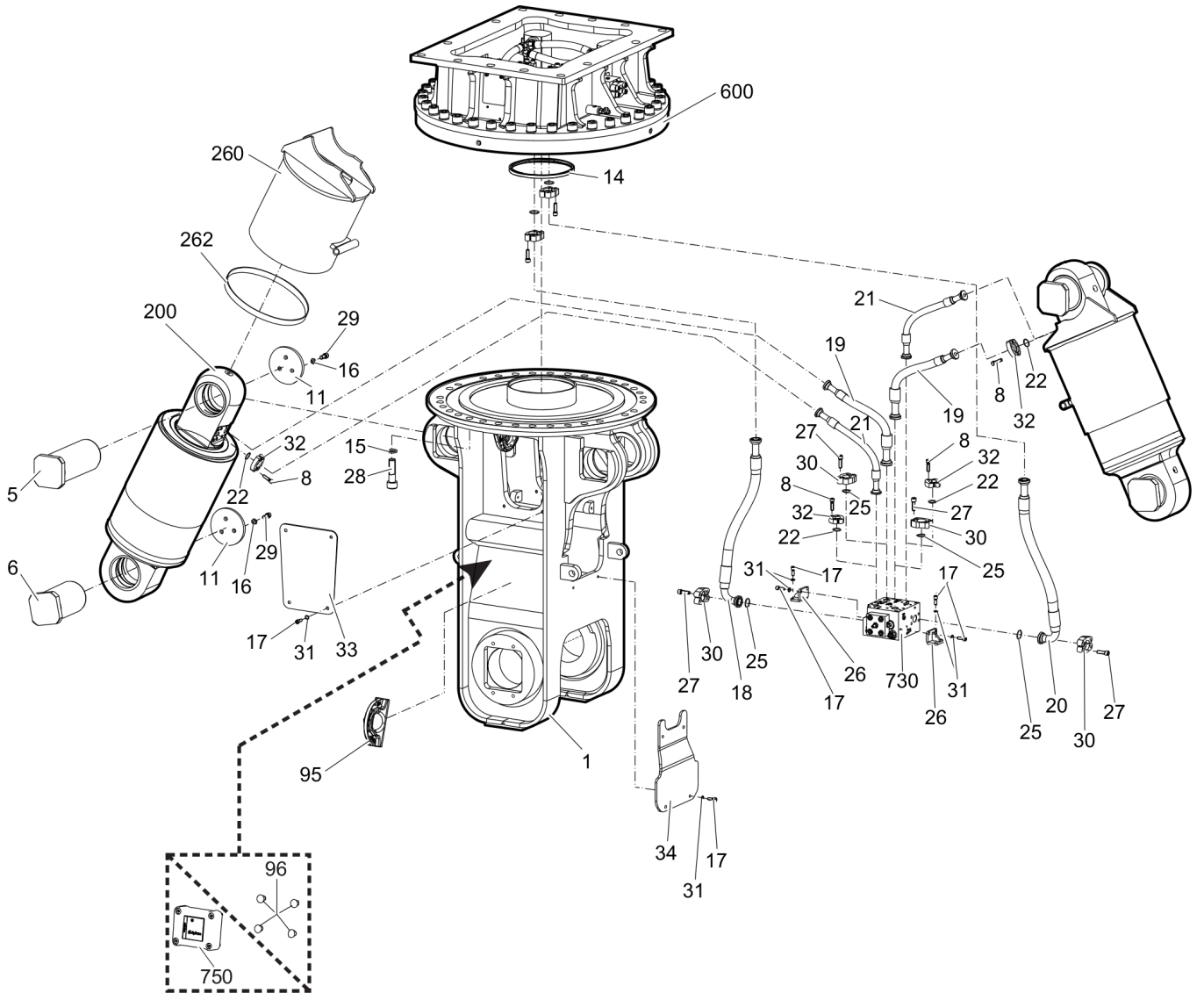


Refer to the DocMine web page for most up-to-date information. The printed information might be outdated.

Wed Nov 13 11:18:10 UTC 2024

Item	Part No.	Name	Qty	L
4	3363118627	BOLT	1	
10	3363118185	CAP	1	
13	3363091095	HEXAGON HEAD SCREW	1	
16	3361333703	PAIR OF LOCK WASHERS	3	
23	3361031495	O-RING	1	
24	3361031951	O-RING	1	
29	3362328113	ALLEN SCREW	3	

Mechanical Hydraulic demolition cutter part 2



Refer to the DocMine web page for most up-to-date information. The printed information might be outdated.

Wed Nov 13 11:18:11 UTC 2024

Item	Part No.	Name	Qty	L
1	3363118602	HOUSING	1	A
5	3363118628	BOLT	2	
6	3363118831	BOLT	2	
8	3360026513	ALLEN SCREW	24	
11	3363114743	CAP	4	
14	3363070083	SEAL	1	
15	3361850747	PAIR OF LOCK WASHERS	32	
16	3361333703	PAIR OF LOCK WASHERS	12	
17	3360103751	ALLEN SCREW	24	
18	3363105482	HYDRAULIC HOSE	1	
19	3363099405	HYDRAULIC HOSE	2	
20	3363105483	HYDRAULIC HOSE	1	
21	3363105484	HYDRAULIC HOSE	2	
22	3360314370	O-RING	6	
25	3360314372	O-RING	4	
26	3363105487	HOLDER	2	
27	3363034274	ALLEN SCREW	16	
28	3362328083	ALLEN SCREW	32	
29	3362328113	ALLEN SCREW	12	
30	3360992488	FLANGE HALF	8	
31	3361850596	PAIR OF LOCK WASHERS	24	
32	3361853208	FLANGE HALF	12	
33	3363099579	PLATE	2	
34	3363118630	PLATE	2	
95	3363111996	LIFTING EYE	4	B
96	3315439145	PROTECTIVE PLUG HATCON	4	C
200	3363106307	HYDRAULIC CYLINDER, complete	2	D
260	3363118832	PROTECTIVE PISTON ROD SHEATH, complete	2	E
262	3363099497	GUIDE STRIP	2	
600	3363099509	UPPER PART, complete	1	D
730	3363099407	RAPID MOVEMENT VALVE	1	
750		HATCON	1	F

Comments for Page: Hydraulic demolition cutter part 2

A | with item 95

B | professional welding process necessary

C | only for hydraulic demolition cutters without HATCON

D | see separate chapter

Refer to the DocMine web page for most up-to-date information. The printed information might be outdated.

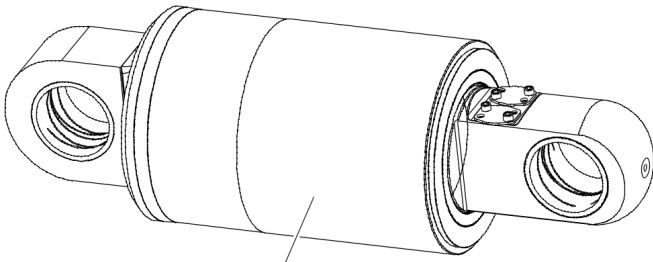
Wed Nov 13 11:18:11 UTC 2024

E | with item 262

F | only for hydraulic demolition cutters with HATCON / see separate chapter

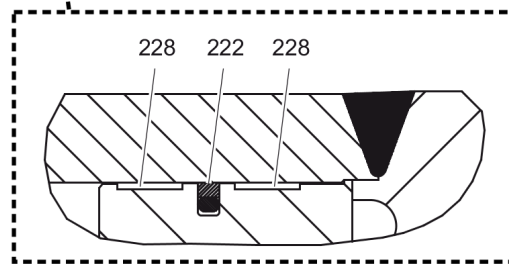
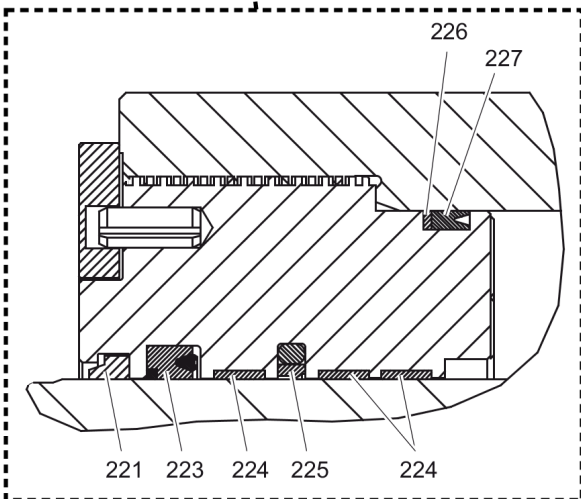
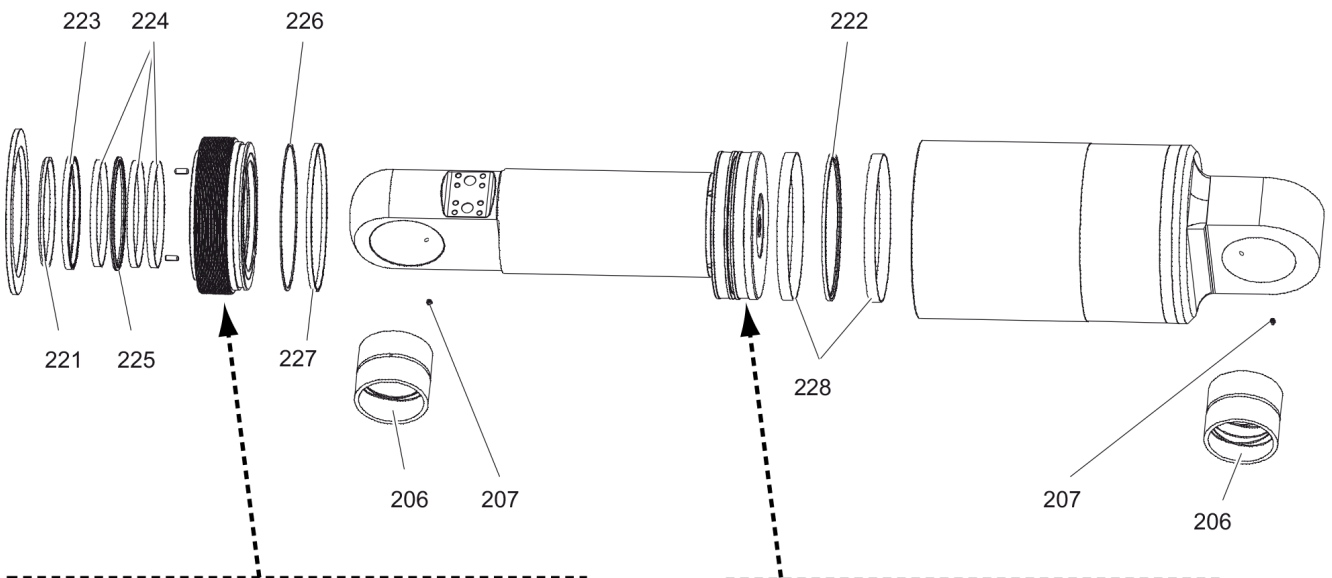
This page intentionally left blank

Mechanical Hydraulic cylinder



200

220								
221	222	223	224	225	226	227	228	



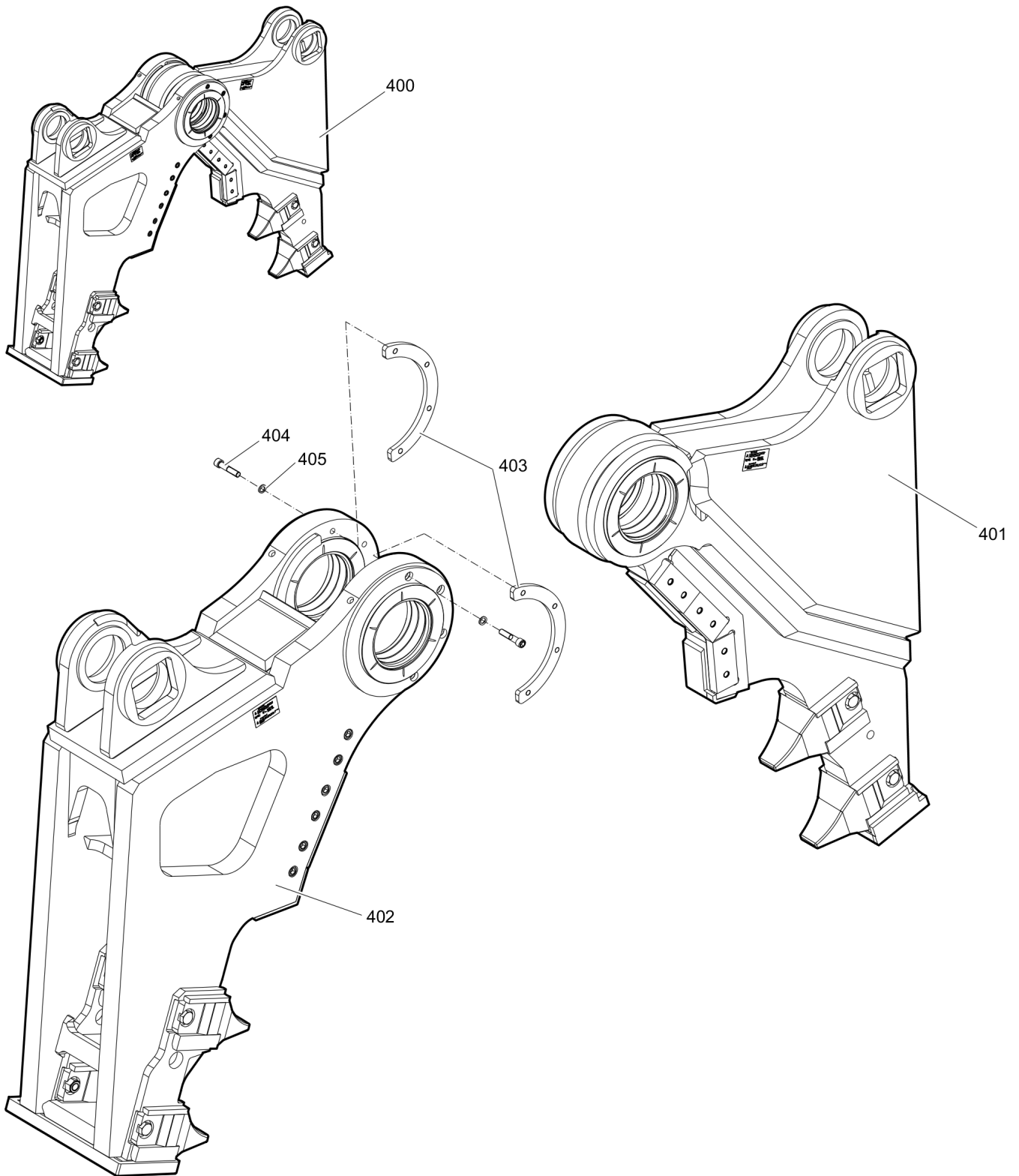
Item	Part No.	Name	Qty	L
200	3363106307	HYDRAULIC CYLINDER, complete	1	A
206	3363109393	CLAMPING BUSH	2	
207	3360209834	GREASE NIPPLE	2	
220(221-228)	3363106772	SEAL KIT (Hydraulic cylinder)	1	
221		WIPER	1	
222		SEAL	1	
223		SEAL	1	
224		GUIDE RING	3	
225		SEAL	1	
226		BACK-UP RING	1	
227		O-RING	1	
228		GUIDE RING	2	

Comments for Page: Hydraulic cylinder

(L)OCAL REMARKS

A | with item 206 - 228

Mechanical Cutter jaw pair U complete



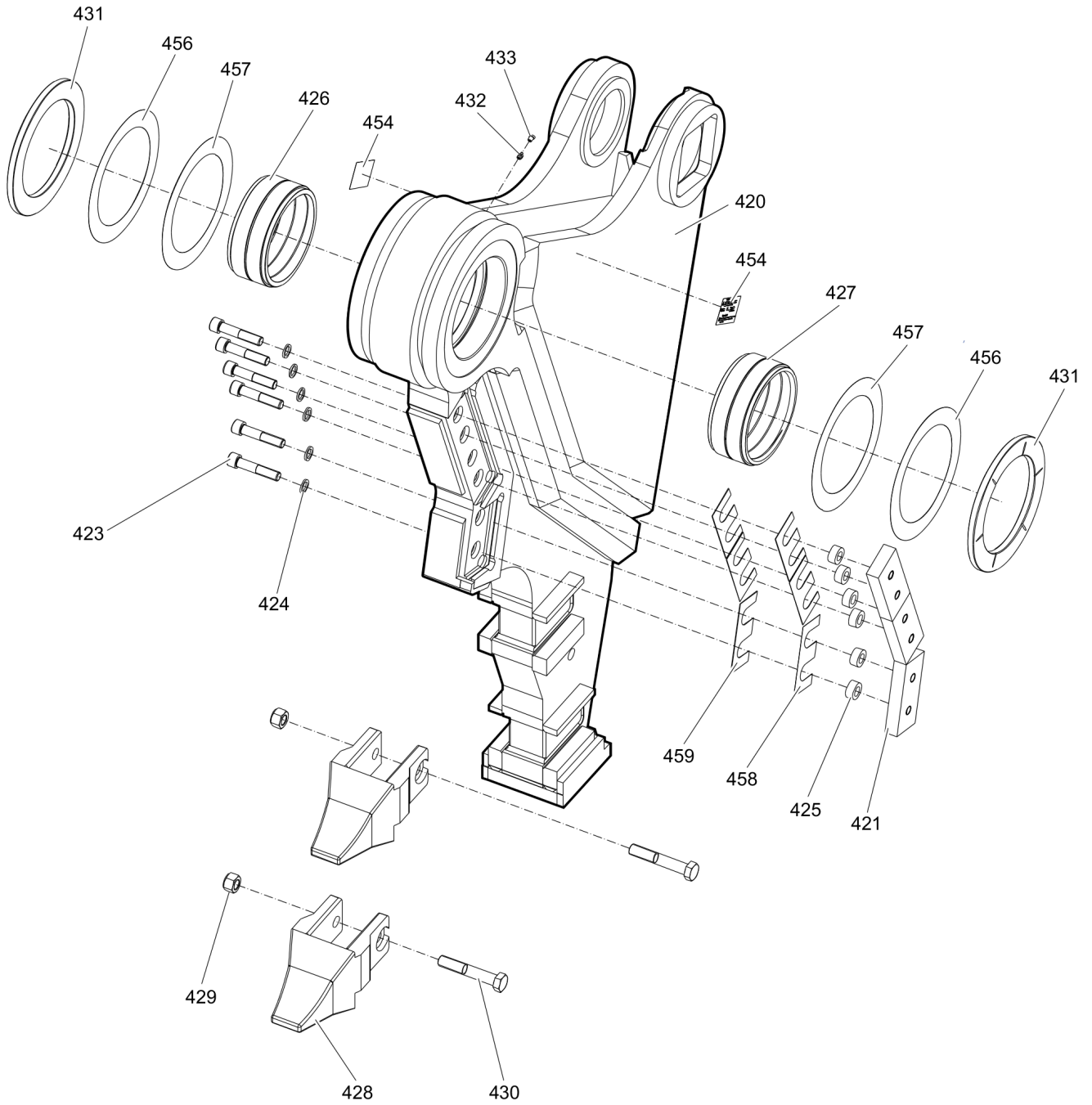
Item	Part No.	Name	Qty	L
400	3363118862	CUTTER JAW PAIR U, complete	1	A
401	3363118863	CUTTER JAW (single) U	1	B
402	3363118864	CUTTER JAW (double) U	1	B
403	3363099487	RING SEGMENT	2	
404	3360026648	ALLEN SCREW	8	
405	3361333703	PAIR OF LOCK WASHERS	8	

Comments for Page: Cutter jaw pair U complete

A | with item 401 - 405

B | see separate chapter

Mechanical Cutter jaw (single) U



Item	Part No.	Name	Qty	L
420	3363118863	CUTTER JAW (single) U	1	A
421	3363086479	CUTTER BLADE	3	
423	3360106100	ALLEN SCREW	6	
424	3361850748	PAIR OF LOCK WASHERS	6	
425	3363035107	LOCK RING	6	
426	3363118616	BEARING BUSH	1	
427	3363118617	BEARING BUSH	1	
428	3363098963	TIP OF TOOTH	2	B
429	3363098934	HEXAGON NUT	2	
430	3363083963	HEXAGON HEAD SCREW	2	
431	3363099495	WEAR RING	2	
432	3360209834	GREASE NIPPLE	1	
433	3363087600	CAP	1	
454	3362268751	LABEL TIGHTENING TORQUE	2	C
456	3363099491	SPACER RING	2	D
457	3363099493	SPACER RING	2	E
458	3363088149	SHIM	3	D
459	3363087607	SHIM	3	F

Comments for Page: Cutter jaw (single) U

A | with item 421 - 454

B | with item 429 and 430

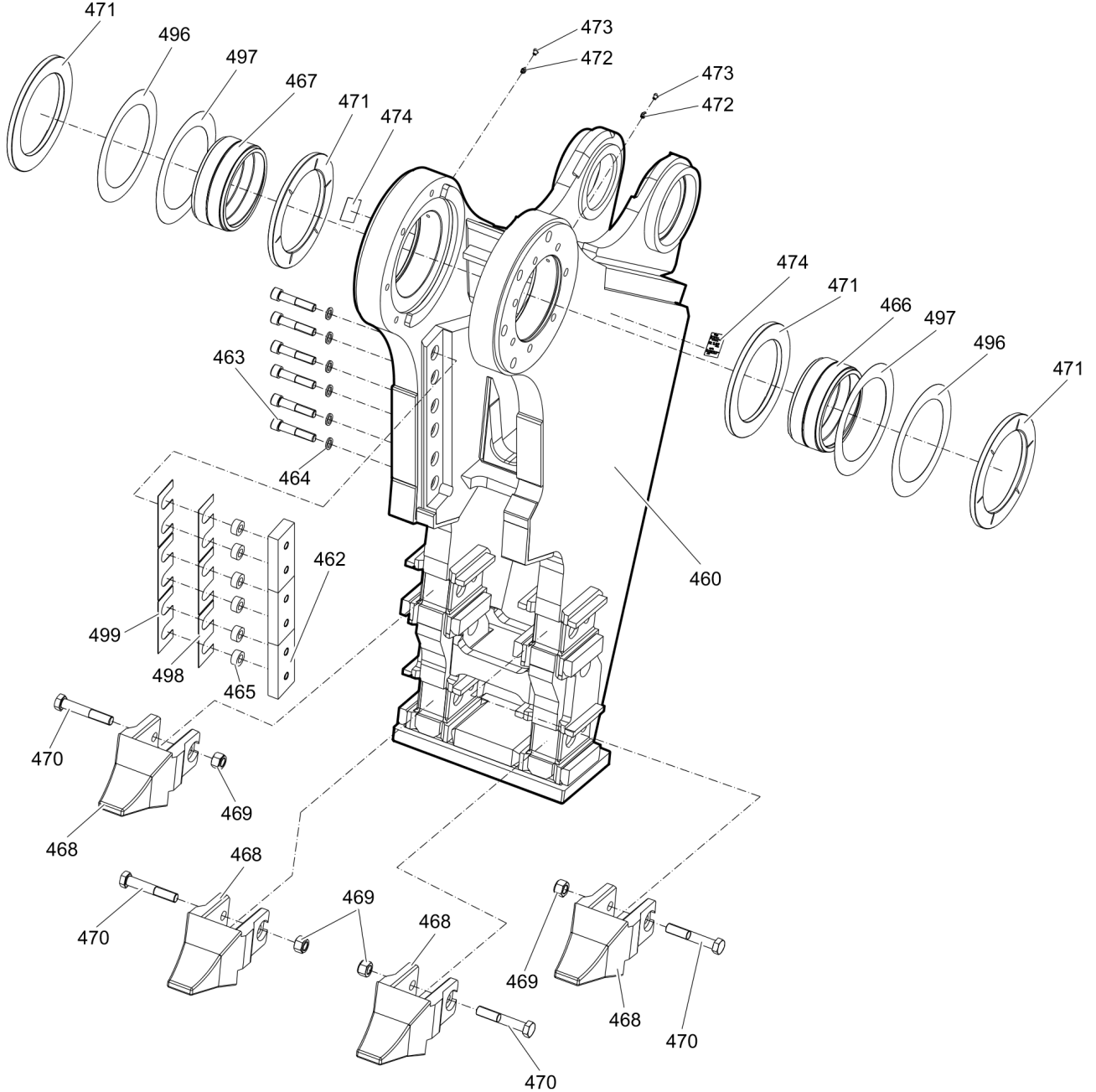
C | German/English

D | 0.2 mm (0.01 in.) thick, as required

E | 0.5 mm (0.02 in.) thick, as required

F | 1.0 mm (0.04 in.) thick, as required

Mechanical Cutter jaw (double) U



Refer to the DocMine web page for most up-to-date information. The printed information might be outdated.

Wed Nov 13 11:18:15 UTC 2024

Item	Part No.	Name	Qty	L
460	3363118864	CUTTER JAW (double) U	1	A
462	3363086479	CUTTER BLADE	3	
463	3360106100	ALLEN SCREW	6	
464	3361850748	PAIR OF LOCK WASHERS	6	
465	3363035107	LOCK RING	6	
466	3363118616	BEARING BUSH	1	
467	3363118617	BEARING BUSH	1	
468	3363098963	TIP OF TOOTH	4	B
469	3363098934	HEXAGON NUT	4	
470	3363083963	HEXAGON HEAD SCREW	4	
471	3363099495	WEAR RING	4	
472	3360209834	GREASE NIPPLE	2	
473	3363087600	CAP	2	
474	3362268751	LABEL TIGHTENING TORQUE	2	C
496	3363099491	SPACER RING	2	D
497	3363099493	SPACER RING	2	E
498	3363088149	SHIM	3	D
499	3363087607	SHIM	3	F

Comments for Page: Cutter jaw (double) U

A | with item 462 - 474

B | with item 469 and 470

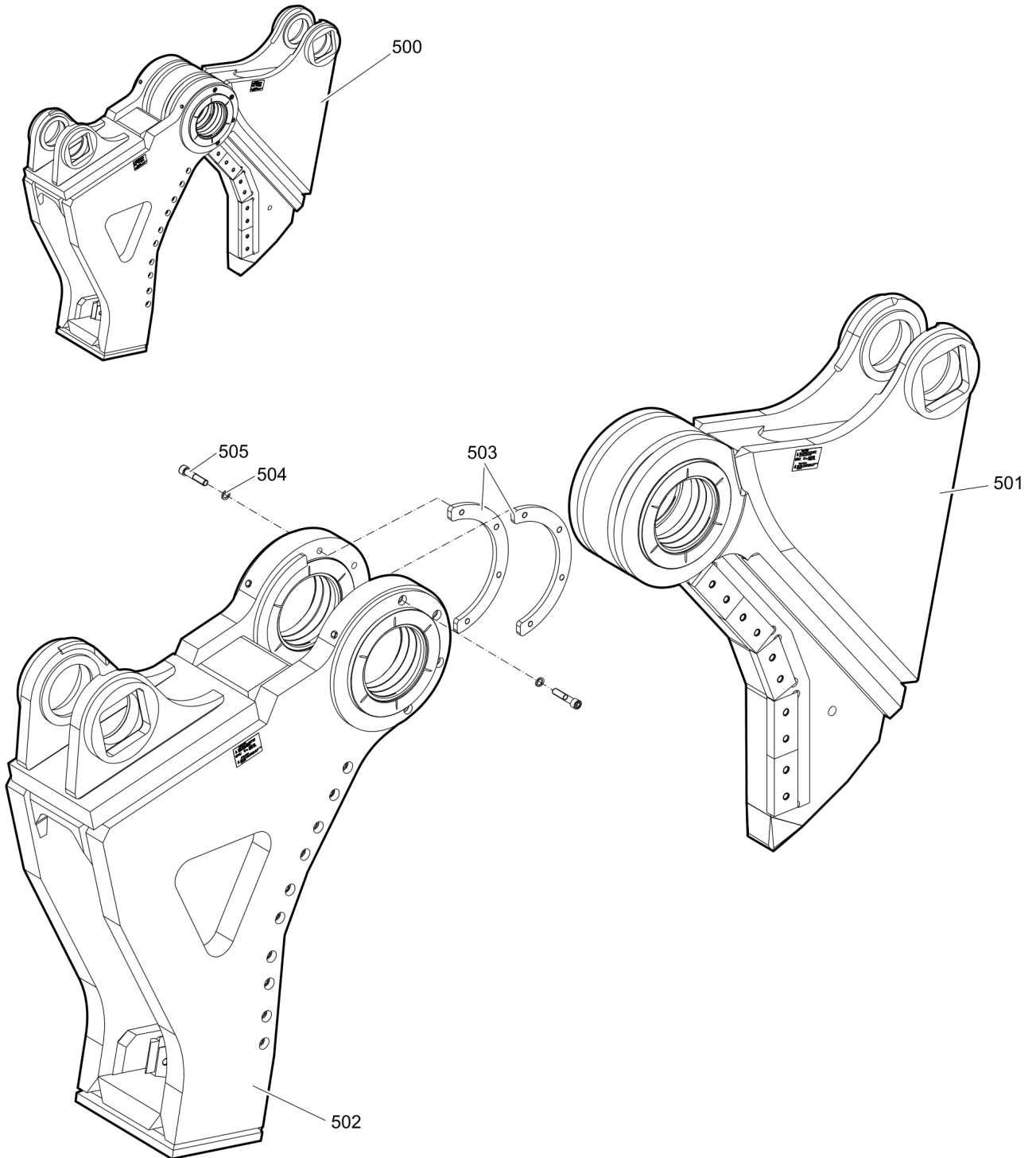
C | German/English

D | 0.2 mm (0.01 in.) thick, as required

E | 0.5 mm (0.02 in.) thick, as required

F | 1.0 mm (0.04 in.) thick, as required

Mechanical Cutter jaw pair S complete



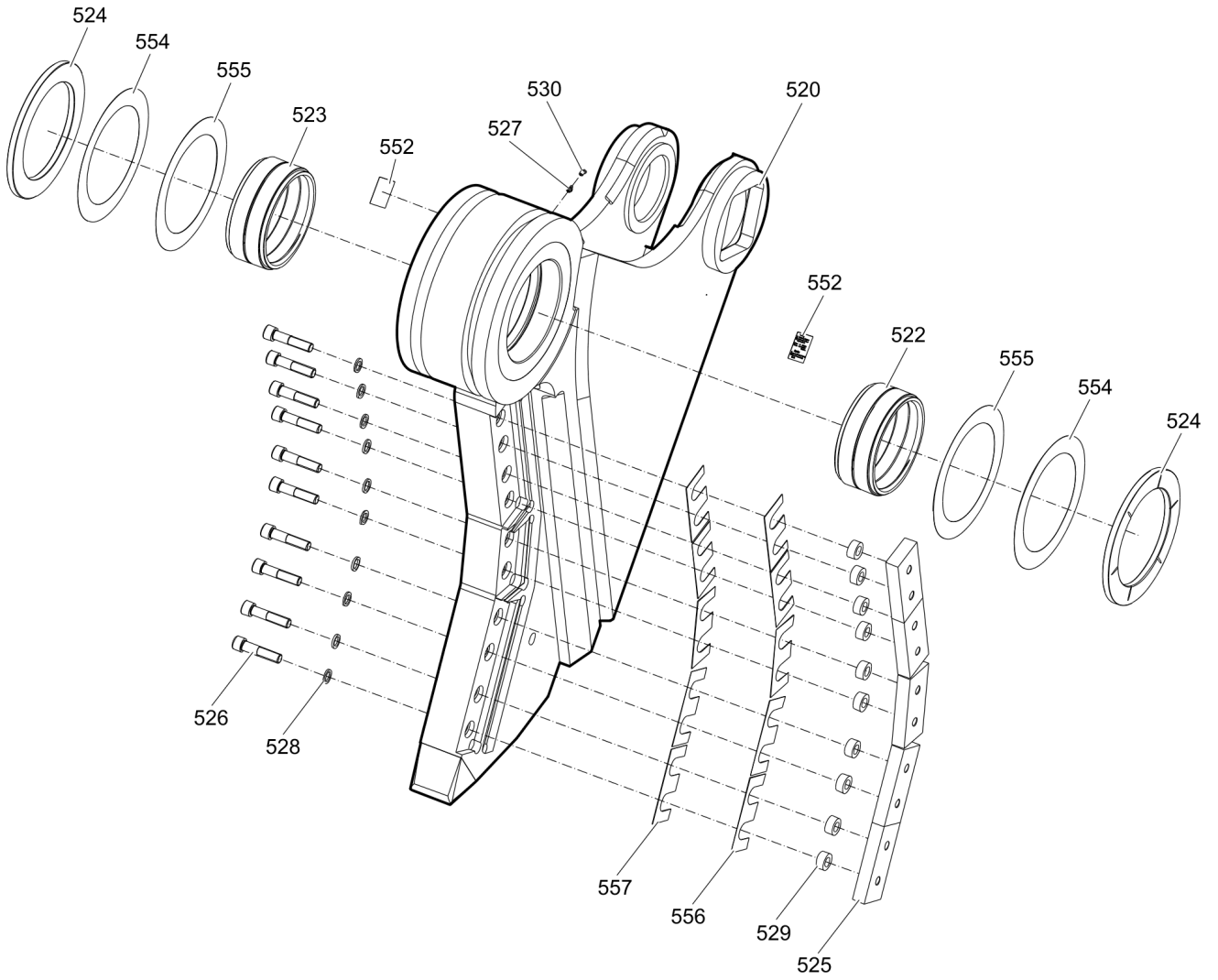
Item	Part No.	Name	Qty	L
500	3363119321	CUTTER JAW PAIR S, complete	1	A
501	3363119310	CUTTER JAW (single) S	1	B
502	3363119320	CUTTER JAW (double) S	1	B
503	3363099487	RING SEGMENT	2	
504	3361333703	PAIR OF LOCK WASHERS	8	
505	3360026648	ALLEN SCREW	8	

Comments for Page: Cutter jaw pair S complete

A | with item 501 - 505

B | see separate chapter

Mechanical Cutter jaw (single) S



Refer to the DocMine web page for most up-to-date information. The printed information might be outdated.

Wed Nov 13 11:18:17 UTC 2024

Item	Part No.	Name	Qty	L
520	3363119310	CUTTER JAW (single) S	1	A
522	3363118617	BEARING BUSH	1	
523	3363118616	BEARING BUSH	1	
524	3363099495	WEAR RING	2	
525	3363086479	CUTTER BLADE	5	
526	3360106099	ALLEN SCREW	10	
527	3360209834	GREASE NIPPLE	1	
528	3361850748	PAIR OF LOCK WASHERS	10	
529	3363035107	LOCK RING	10	
530	3363087600	CAP	1	
552	3362268751	LABEL TIGHTENING TORQUE	2	B
554	3363099491	SPACER RING	2	C
555	3363099493	SPACER RING	2	D
556	3363088149	SHIM	5	C
557	3363087607	SHIM	5	E

Comments for Page: Cutter jaw (single) S

A | with item 522 - 552

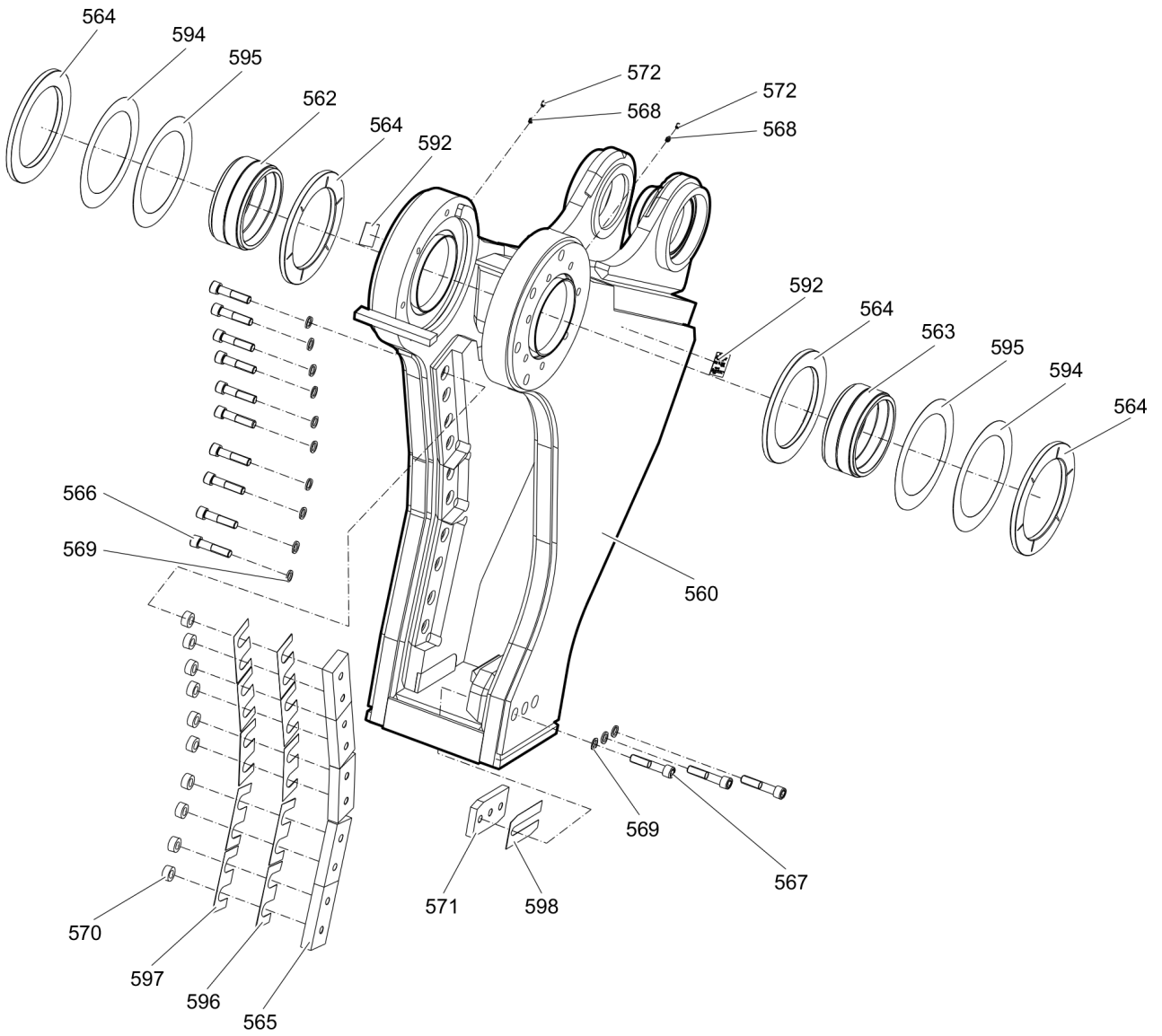
B | German/English

C | 0.2 mm (0.01 in.) thick, as required

D | 0.5 mm (0.02 in.) thick, as required

E | 1.0 mm (0.04 in.) thick, as required

Mechanical Cutter jaw (double) S



Refer to the DocMine web page for most up-to-date information. The printed information might be outdated.

Wed Nov 13 11:18:18 UTC 2024

Item	Part No.	Name	Qty	L
560	3363119320	CUTTER JAW (double) S	1	A
562	3363118617	BEARING BUSH	1	
563	3363118616	BEARING BUSH	1	
564	3363099495	WEAR RING	4	
565	3363086479	CUTTER BLADE	5	
566	3360106099	ALLEN SCREW	10	
567	3360106100	ALLEN SCREW	3	
568	3360209834	GREASE NIPPLE	2	
569	3361850748	PAIR OF LOCK WASHERS	13	
570	3363035107	LOCK RING	10	
571	3363090241	SLIDING PLATE	1	
572	3363087600	CAP	2	
592	3362268751	LABEL TIGHTENING TORQUE	2	B
594	3363099491	SPACER RING	2	C
595	3363099493	SPACER RING	2	D
596	3363088149	SHIM	5	C
597	3363087607	SHIM	5	E
598	3363093749	SHIM	1	E

Comments for Page: Cutter jaw (double) S

A | with item 562 - 592

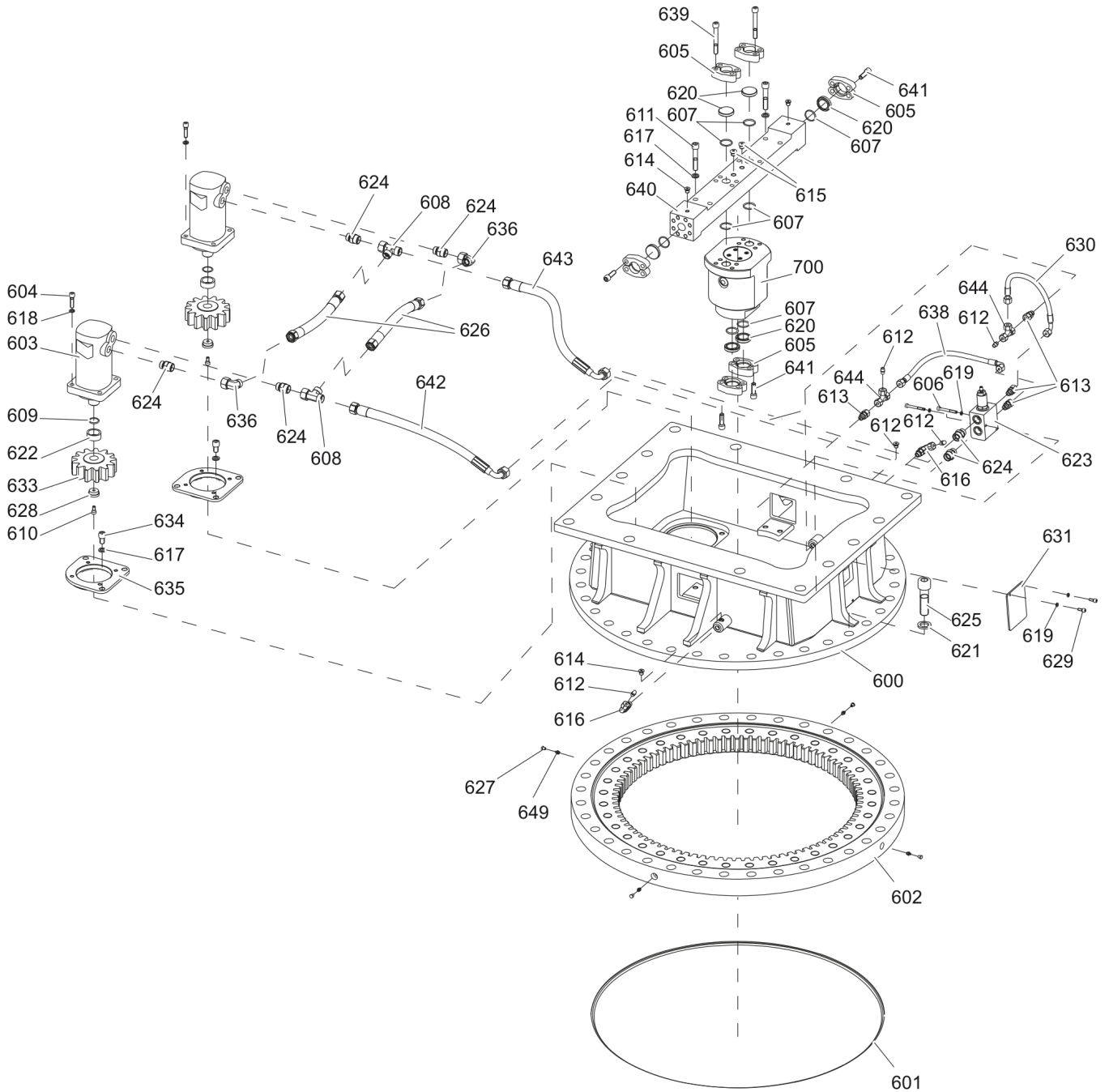
B | German/English

C | 0.2 mm (0.01 in.) thick, as required

D | 0.5 mm (0.01 in.) thick, as required

E | 1.0 mm (0.04 in.) thick, as required

Mechanical Upper part complete



Refer to the DocMine web page for most up-to-date information. The printed information might be outdated.

Wed Nov 13 11:18:18 UTC 2024

Item	Part No.	Name	Qty	L
600	3363099509	UPPER PART, complete	1	A
601	3363129331	SEAL	1	
602	3363099513	FOUR POINT BEARING	1	
603	3363098967	HYDRAULIC MOTOR	2	
604	3360026513	ALLEN SCREW	8	
605	3360992488	FLANGE HALF	12	
606	3360103738	ALLEN SCREW	2	
607	3360314372	O-RING	8	
608	3363113033	FITTING	2	
609	3360313304	O-RING	2	
610	3361031981	ALLEN SCREW	2	
611	3362328096	ALLEN SCREW	4	
612	3360314593	PLUG	4	
613	3360478333	FITTING	4	
614	3360478439	THREADED PLUG	4	
615	3360478440	THREADED PLUG	2	
616	3363091912	FITTING	2	
617	3361333703	PAIR OF LOCK WASHERS	10	
618	3361850596	PAIR OF LOCK WASHERS	8	
619	3361850743	PAIR OF LOCK WASHERS	4	
620	3363031348	BLIND PLATE	6	
621	3361850747	PAIR OF LOCK WASHERS	36	
622	3362265869	RING	2	
623	3363127360	VALVE BLOCK	1	
624	3363113032	FITTING	6	
625	3362328083	ALLEN SCREW	36	
626	3363113061	HYDRAULIC HOSE	2	
627	3363087600	CAP	4	
628	3363088327	RING	2	
629	3360103733	ALLEN SCREW	2	
630	3363083972	HYDRAULIC HOSE	1	
631	3363099489	COVER SHEET	1	
633	3363099597	SPUR PINION	2	
634	3360026641	ALLEN SCREW	6	
635	3363109941	PLATE	2	
636	3363113034	FITTING	2	
638	3362263704	HYDRAULIC HOSE	1	

Refer to the DocMine web page for most up-to-date information. The printed information might be outdated.

Wed Nov 13 11:18:18 UTC 2024

Item	Part No.	Name	Qty	L
639	3363105485	ALLEN SCREW	8	
640	3363105495	CONNECTION PLATE	1	
641	3363034274	ALLEN SCREW	16	
642	3363113410	HYDRAULIC HOSE	1	
643	3363113411	HYDRAULIC HOSE	1	
644	3360314543	FITTING	2	
649	3360209834	GREASE NIPPLE	4	
700	3363105471	ROTARY TRANSMISSION	1	B

Comments for Page: Upper part complete

(L)OCAL REMARKS

A | with item 602 - 700

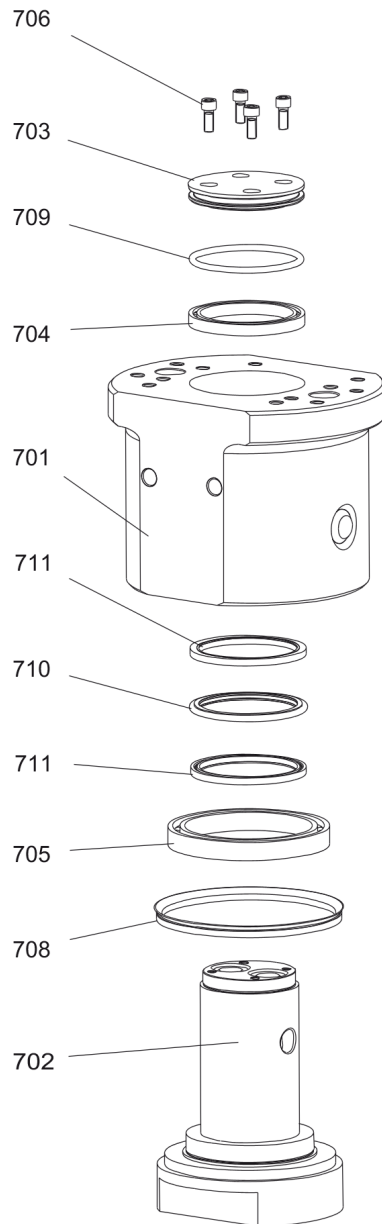
B | see separate chapter

This page intentionally left blank

Mechanical Rotary transmission

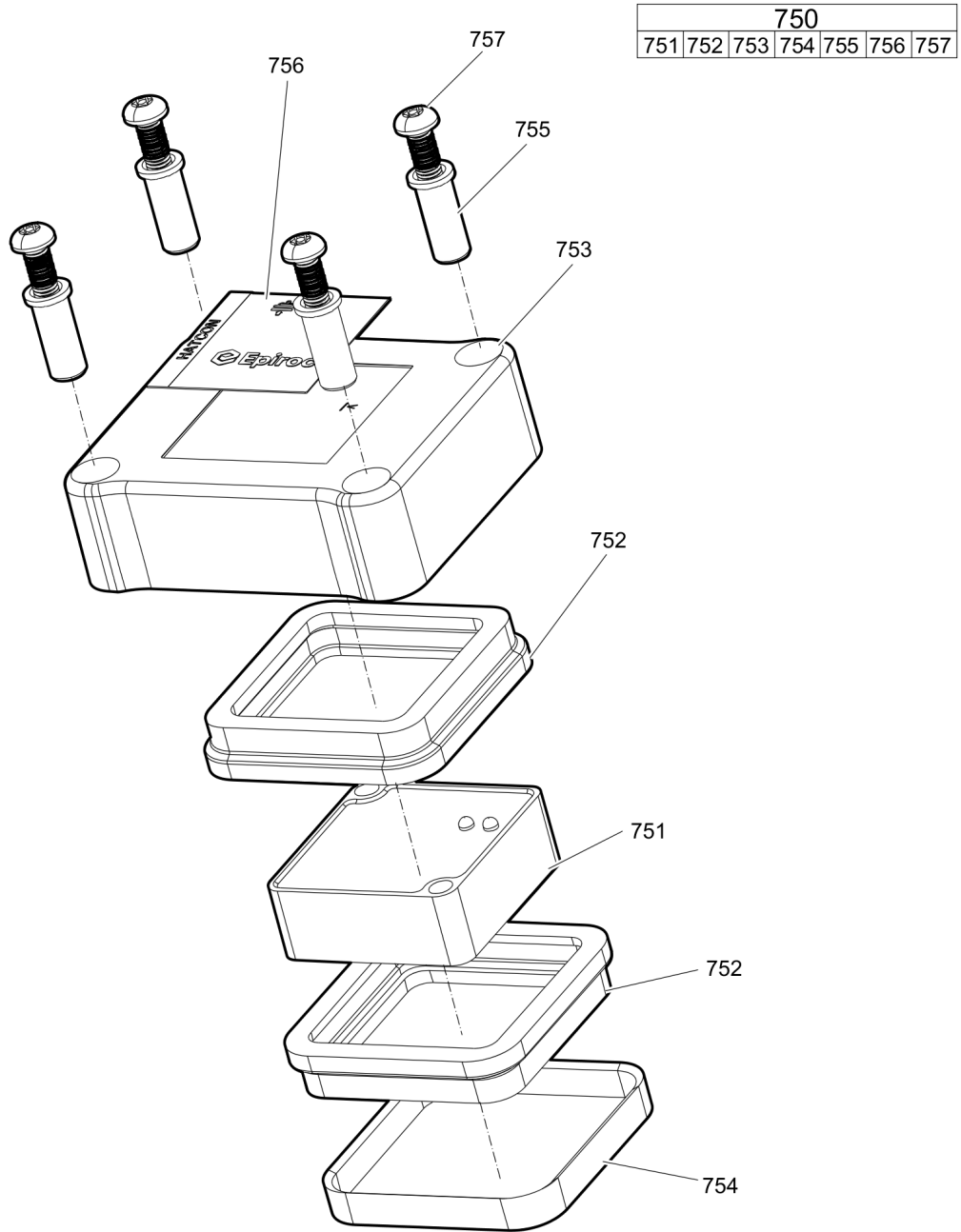
700						
701	702	703	704	705	706	707

707			
708	709	710	711



Item	Part No.	Name	Qty	L
700(701-707)	3363105471	ROTARY TRANSMISSION	1	
701	3363105473	STATOR	1	
702	3363105477	ROTOR	1	
703	3363034318	CAP	1	
704	3363034319	BALL BEARING	1	
705	3363034320	BALL BEARING	1	
706	3363034325	ALLEN SCREW	4	
707(708-711)	3363083066	SEAL KIT (Rotary transmission)	1	
708		V-RING	1	
709		O-RING	1	
710		SLIDE RING	1	
711		SEAL	2	

Mechanical HATCON



Refer to the DocMine web page for most up-to-date information. The printed information might be outdated.

Wed Nov 13 11:18:19 UTC 2024

Item	Part No.	Name	Qty	L
750(751-757)		HATCON	1	A
751		TRACKING MODULE HATCON	1	
752	3315439130	DAMPER HATCON	2	
753	3315439110	HOUSING TYPE 1 HATCON	1	
754	3315439140	LOCK RING HATCON	1	
755	3315439120	SLEEVE HATCON	4	
756	3315439100	PRODUCT LABEL HATCON	1	
757	3315442600	SCREW HATCON	4	

Comments for Page: HATCON

A | part number see chapter "Optional equipment"

Mechanical Tightening torques

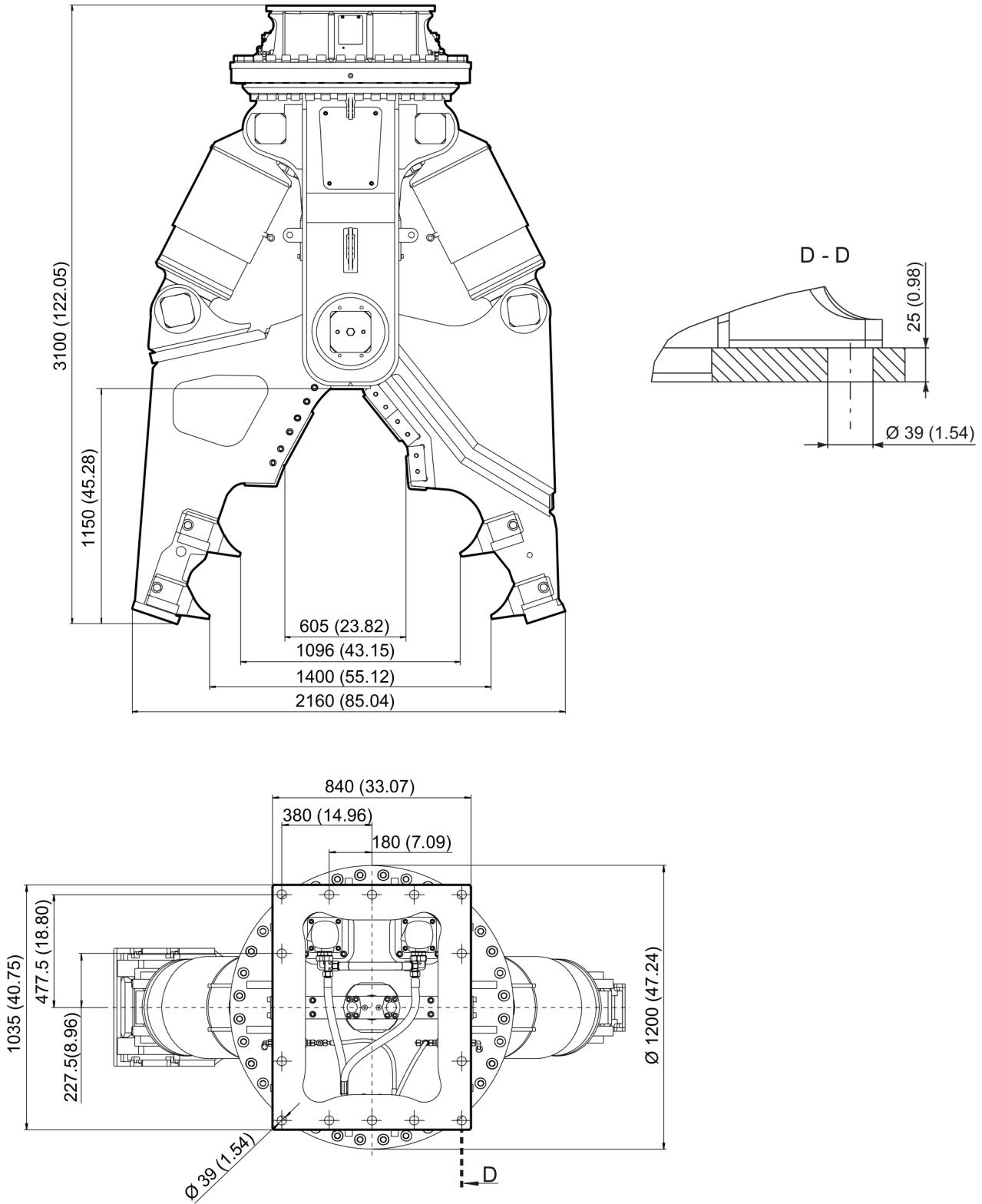
NO EXPLODED VIEW
AVAILABLE
FOR THIS BOM

Item	Part No.	Name	Qty	L
8	-	SCREW HATCON - 22 Nm (16 ft lbf)	-	
13	-	HEXAGON HEAD SCREW - 650 + 50 Nm (479 + 37 ft lbf)	-	
17	-	SCREW HATCON - 22 Nm (16 ft lbf)	-	
27	-	ALLEN SCREW - 170 + 15 Nm (125 + 11 ft lbf)	-	
28	-	ALLEN SCREW - 1850 + 50 Nm (1364 + 37 ft lbf)	-	
29	-	ALLEN SCREW - 180 + 20 Nm (133 + 15 ft lbf)	-	
404	-	ALLEN SCREW - 180 + 20 Nm (133 + 15 ft lbf)	-	
423	-	ALLEN SCREW - 530 + 30 Nm (391 + 22 ft lbf)	-	
430	-	HEXAGON HEAD SCREW - 920 + 30 Nm (679 + 22 ft lbf)	-	
463	-	ALLEN SCREW - 530 + 30 Nm (391 + 22 ft lbf)	-	
470	-	HEXAGON HEAD SCREW - 920 + 30 Nm (679 + 22 ft lbf)	-	
505	-	ALLEN SCREW - 180 + 20 Nm (133 + 15 ft lbf)	-	
526	-	ALLEN SCREW - 530 + 30 Nm (391 + 22 ft lbf)	-	
566	-	ALLEN SCREW - 530 + 30 Nm (391 + 22 ft lbf)	-	
567	-	ALLEN SCREW - 530 + 30 Nm (391 + 22 ft lbf)	-	
604	-	SCREW HATCON - 22 Nm (16 ft lbf)	-	
606	-	ALLEN SCREW - 19 + 5 Nm (14 + 4 ft lbf)	-	
610	-	ALLEN SCREW - 70 + 5 Nm (52 + 5 ft lbf)	-	A
611	-	ALLEN SCREW - 255 + 30 Nm (188 + 22 ft lbf)	-	
613	-	FITTING - 70 + 10 Nm (52 + 7 ft lbf)	-	
614	-	THREADED PLUG - 25 + 5 Nm (18 + 5 ft lbf)	-	
615	-	THREADED PLUG - 50 + 10 Nm (37 + 7 ft lbf)	-	
616	-	FITTING - 70 + 10 Nm (52 + 7 ft lbf)	-	
624	-	FITTING - 180 + 20 Nm (133 + 15 ft lbf)	-	
625	-	ALLEN SCREW - 1850 + 50 Nm (1364 + 37 ft lbf)	-	
629	-	ALLEN SCREW - 19 + 5 Nm (14 + 4 ft lbf)	-	
634	-	ALLEN SCREW - 180 + 20 Nm (133 + 15 ft lbf)	-	
639	-	ALLEN SCREW - 170 + 15 Nm (125 + 11 ft lbf)	-	
641	-	ALLEN SCREW - 170 + 15 Nm (125 + 11 ft lbf)	-	
706	-	ALLEN SCREW - 25 Nm (18 ft lbf)	-	
757	-	SCREW HATCON - 22 Nm (16 ft lbf)	-	

Comments for Page: Tightening torques

A | fix with Loctite 243

Mechanical Dimensions CC 7000 U

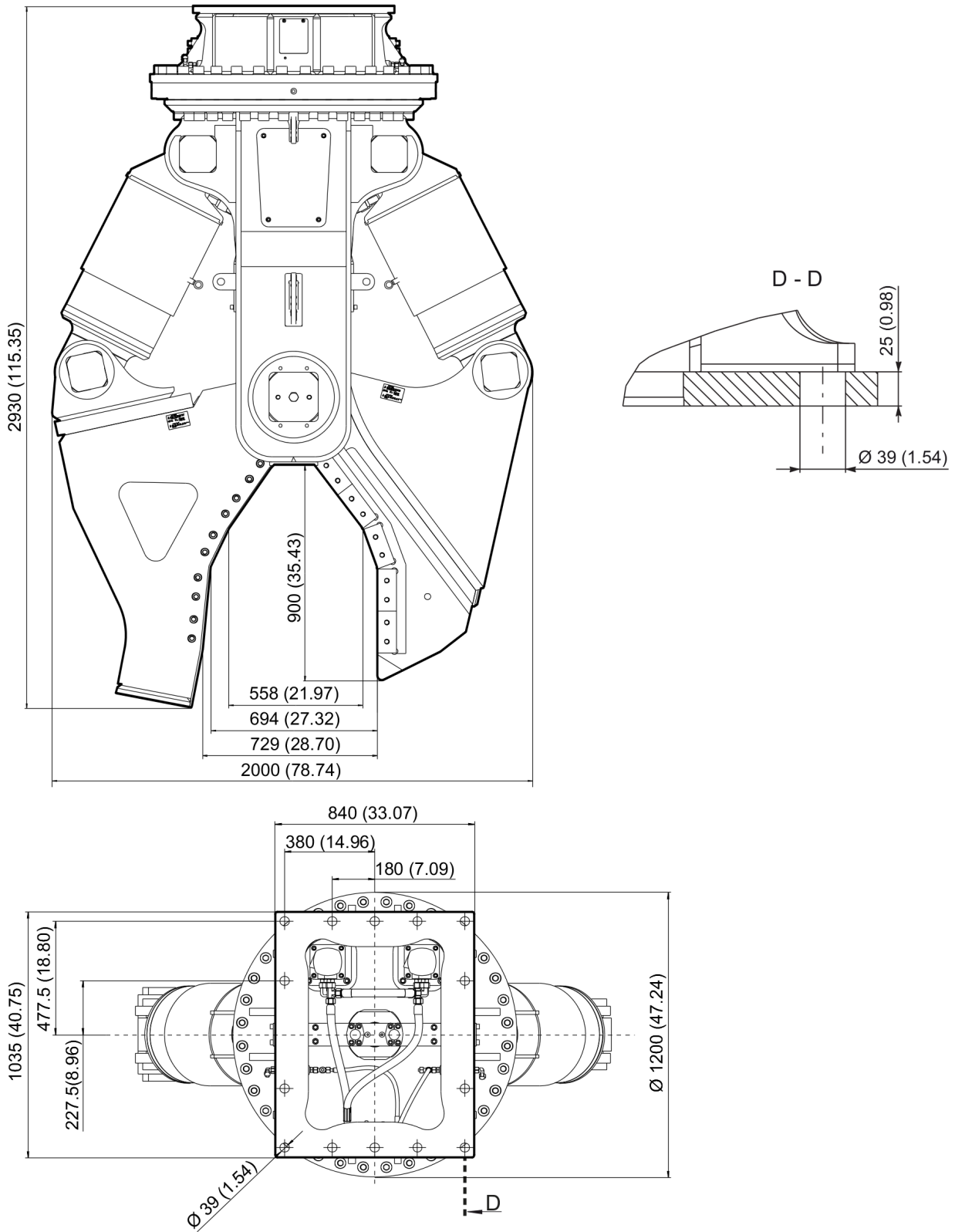


Refer to the DocMine web page for most up-to-date information. The printed information might be outdated.

Wed Nov 13 11:18:22 UTC 2024

This page intentionally left blank

Mechanical Dimensions CC 7000 S



Refer to the DocMine web page for most up-to-date information. The printed information might be outdated.

Wed Nov 13 11:18:22 UTC 2024

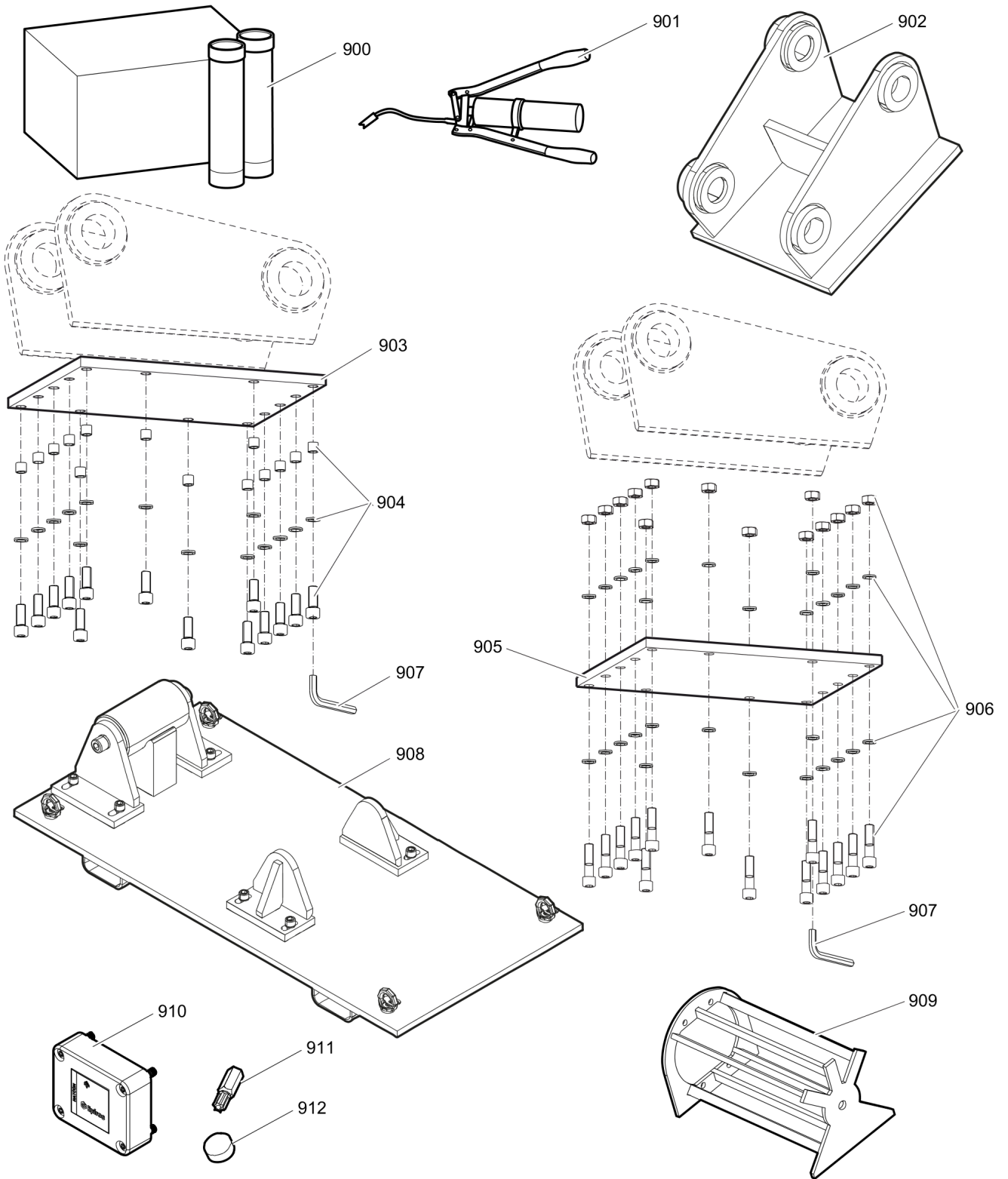
This page intentionally left blank

Options / accessories Hydraulic hoses

**NO EXPLODED VIEW
AVAILABLE
FOR THIS BOM**

Item	Part No.	Name	Qty	L
-	-	Open - Close		
-	3363106493	HYDRAULIC HOSE, I.D. 32 (1.26 in.) flange SAE 90° 1 1/4 in. - 6000 PSI, , 1 5/8 in. JIC, length 2800 mm (110 in.)	2	
-	3363106494	HYDRAULIC HOSE, I.D. 32 (1.26 in.) flange SAE 90° 1 1/4 in. - 6000 PSI, , 1 5/8 in. JIC, length 3500 mm (138 in.)	2	
-	-	Rotation		
-	3363031767	HYDRAULIC HOSE, I.D. 8 (3/8"), both ends M20 x 1.5 conical seal 24°, length 2800 mm (110 in.)	2	
-	3363034399	HYDRAULIC HOSE, I.D. 8 (3/8"), both ends M20 x 1.5 conical seal 24°, length 3500 mm (138 in.)	2	

Options / accessories Optional equipment



Refer to the DocMine web page for most up-to-date information. The printed information might be outdated.
Wed Nov 13 11:18:23 UTC 2024

Item	Part No.	Name	Qty	L
900	3363094914	CUTTER GREASE CARTRIDGE, 12 x 400 g (0.88 lbs)	1	
901	0909107100	LUBRICAT.GUN	1	
902		ADAPTER PLATE matching the carrier. Consult the authorized Customer Center/Dealer in your area.	1	
903	3363093497	BASE PLATE WITH THREADED INSERTS	1	
904	3363106593	BOLT KIT	1	
905	3363102875	BASE PLATE WITH THROUGH BORINGS	1	
906	3363106592	BOLT KIT	1	
907	3360478949	ALLEN KEY (27 mm)	1	
908		ASSEMBLY RACK	1	A
909	3363119166	BOLT CAGE	1	B
910	3315442500	HATCON KIT 1 (3G)	1	C
910	3315442520	HATCON KIT 1 (LTE)	1	C
911	3315439105	SECURITY BIT HATCON	1	
912	3315439106	MAGNET HATCON	1	

Comments for Page: Optional equipment

A | for cutter jaw set, consult the authorized Customer Center/Dealer in your area

B | for item 4

C | with item 911 and 912

Any unauthorized use or copying of the contents or any part thereof is prohibited.
This applies in particular to trademarks, model denominations, part numbers, and drawings.