

CC 1600 U, 1600 S, 1600 P

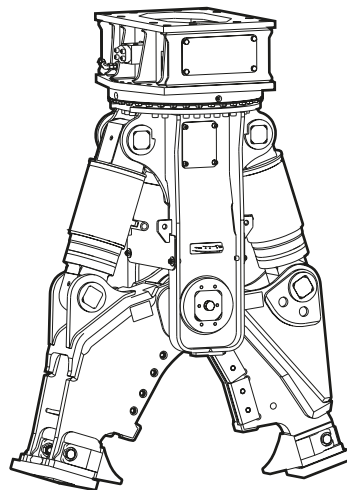
Spare parts list

Hydraulic demolition cutter

CC 1600 U s/n DEQ229409 -

CC 1600 S s/n DEQ229409 -

CC 1600 P s/n DEQ229409 -



General information

This spare parts list applies to the following:

Part number	Description
3363122666	Hydraulic demolition cutter CC 1600 U
3363122668	Hydraulic demolition cutter CC 1600 S
3363124860	Hydraulic demolition cutter CC 1600 P
3363124912	Hydraulic demolition cutter CC 1600 U with HATCON (3G)
3363124913	Hydraulic demolition cutter CC 1600 S with HATCON (3G)
3363124914	Hydraulic demolition cutter CC 1600 P with HATCON (3G)
3363126926	Hydraulic demolition cutter CC 1600 U with HATCON (LTE)
3363126927	Hydraulic demolition cutter CC 1600 S with HATCON (LTE)
3363126928	Hydraulic demolition cutter CC 1600 P with HATCON (LTE)

Use only authorized parts. Any damage or malfunction caused by the use of unauthorized parts is not covered by Warranty or Product Liability. Any unauthorized use or copying of the contents or any part thereof is prohibited. This applies in particular to trademarks, model denominations, part numbers, and drawings.

Instructions for use

This spare parts list contains no safety regulations and is merely intended to assist in the ordering of spare parts.

For information about operating, servicing, or repairing, the relevant Safety and operating instructions must be consulted at all costs.

Please observe the safety instructions listed in the relevant Safety and operating instructions!

Instructions for ordering

It is essential to indicate the serial number of the hydraulic attachment when ordering spare parts!

Please note the full identification number of your hydraulic attachment.

Determine the quantity of individual parts which are required and need to be ordered. The order must indicate the following details:

- full identification code of the hydraulic attachment
- required quantity
- part number
- description

Service, repair and wear part kits

Hose kit (casing)	1
Cutter blades kit U	3
Cutter blades kit S	5
Cutter blades kit P	7
Tip of tooth U	9
Tip of tooth P	11
Sliding plate kit	13
Seal kit (Hydraulic cylinder)	15
Kit list	17

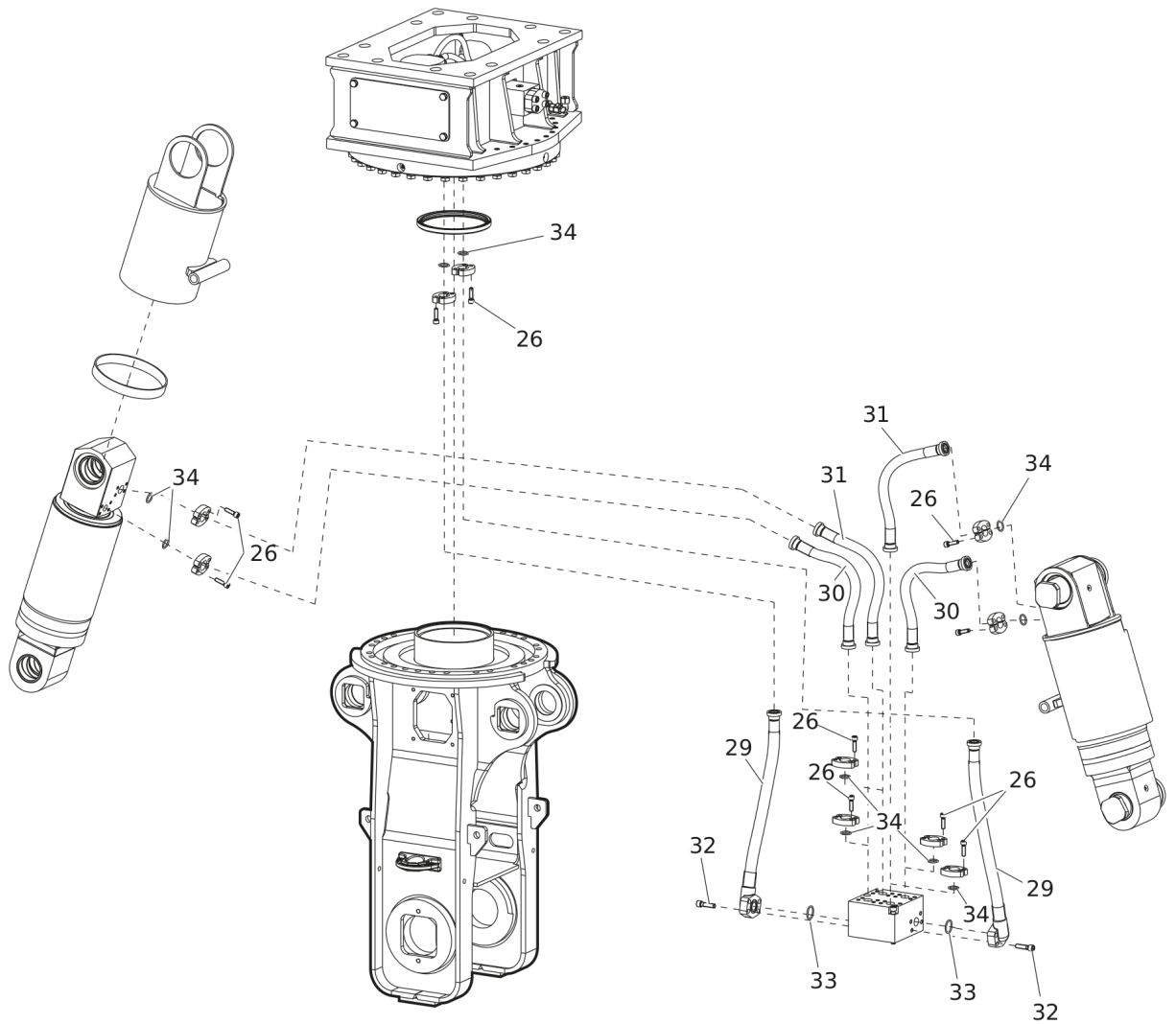
Mechanical

Hydraulic demolition cutter part 1	19
Hydraulic demolition cutter part 2	21
Hydraulic cylinder	24
Cutter jaw pair U complete	27
Cutter jaw (single) U	29
Cutter jaw (double) U	31
Cutter jaw pair S complete	33
Cutter jaw (single) S	35
Cutter jaw (double) S	37
Cutter jaw pair P complete	39
Cutter jaw (double) P	41
Cutter jaw (triple) P	43
Upper part complete	45
Rotary transmission	48
HATCON	51
Tightening torques	53
Dimensions CC 1600 U	56
Dimensions CC 1600 S	58
Dimensions CC 1600 P	60

Options / accessories

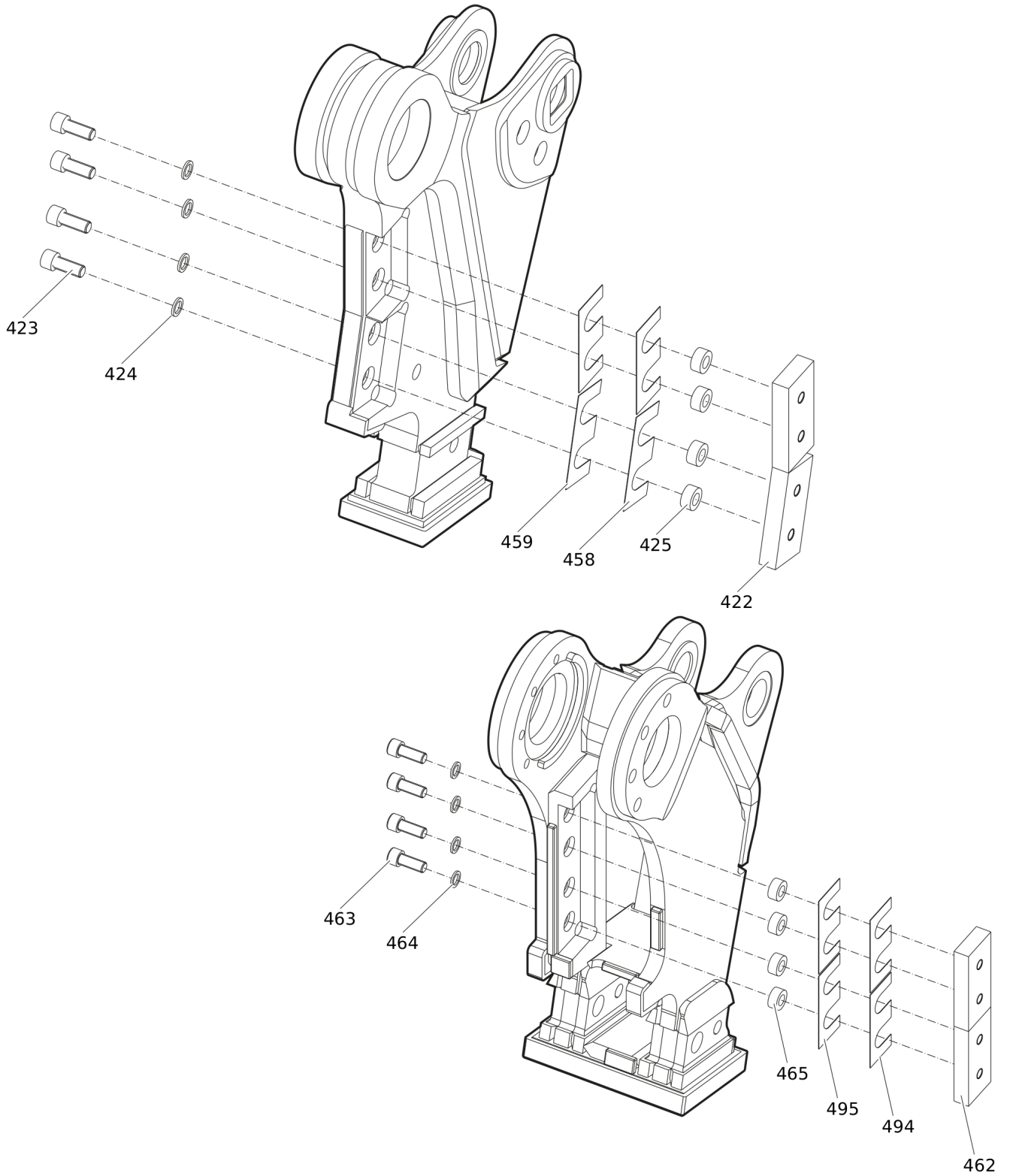
Hydraulic hoses	62
Optional equipment	65

Service, repair and wear part kits Hose kit (casing)



Item	Part No.	Name	Qty	L
KIT	3363127438	HOSE KIT (casing)	1	
26	3360026393	ALLEN SCREW	40	
29	3363126480	HYDRAULIC HOSE	2	
30	3363122899	HYDRAULIC HOSE	2	
31	3363122900	HYDRAULIC HOSE	2	
32	3360026513	ALLEN SCREW	8	
33	3360314370	O-RING	2	
34	3360314549	O-RING	10	

Service, repair and wear part kits Cutter blades kit U

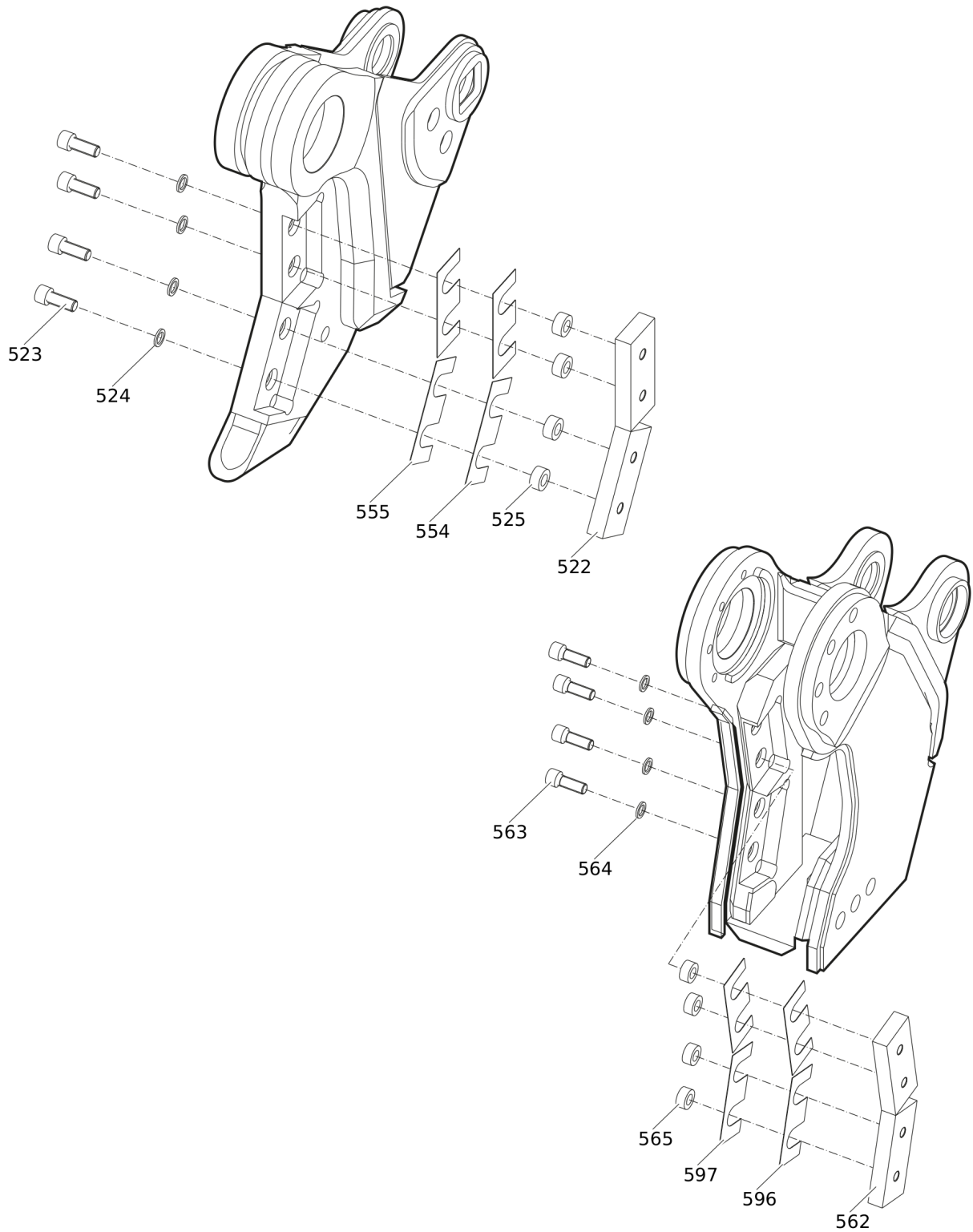


Refer to the DocMine web page for most up-to-date information. The printed information might be outdated.

Fri Nov 15 08:42:52 UTC 2024

Item	Part No.	Name	Qty	L
KIT	3363122888	CUTTER BLADES KIT U	1	
422	3363086479	CUTTER BLADE	2	
423	3360026782	ALLEN SCREW	4	
424	3361850748	PAIR OF LOCK WASHERS	4	
425	3363035107	LOCK RING	4	
458	3363088149	SHIM	2	
459	3363087607	SHIM	2	
462	3363086479	CUTTER BLADE	2	
463	3360026782	ALLEN SCREW	4	
464	3361850748	PAIR OF LOCK WASHERS	4	
465	3363035107	LOCK RING	4	
494	3363088149	SHIM	2	
495	3363087607	SHIM	2	

Service, repair and wear part kits Cutter blades kit S

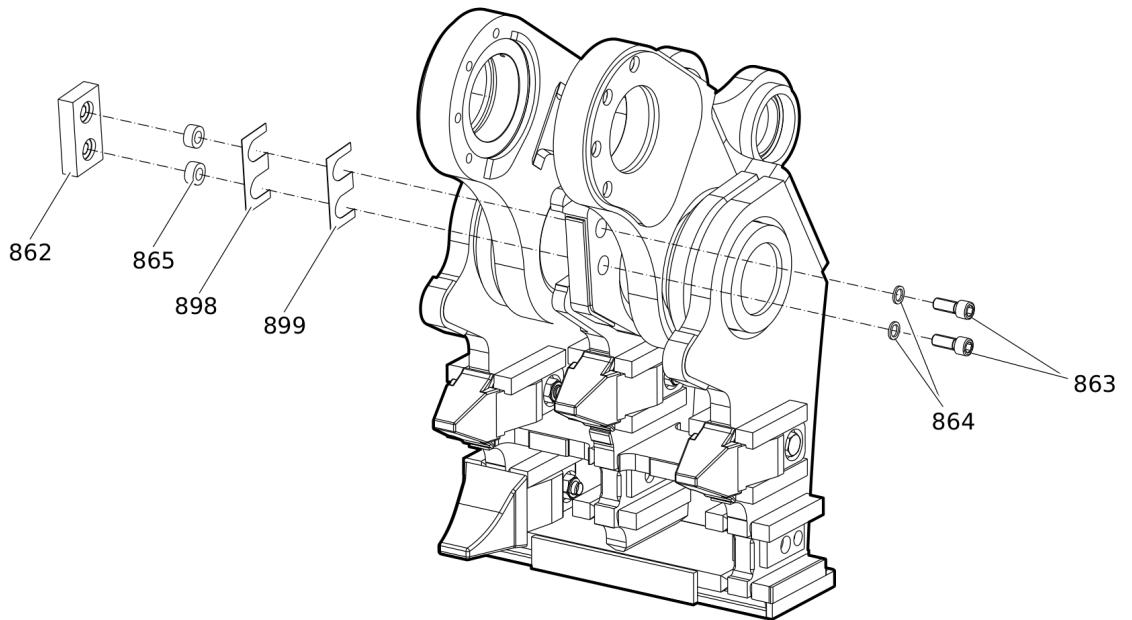
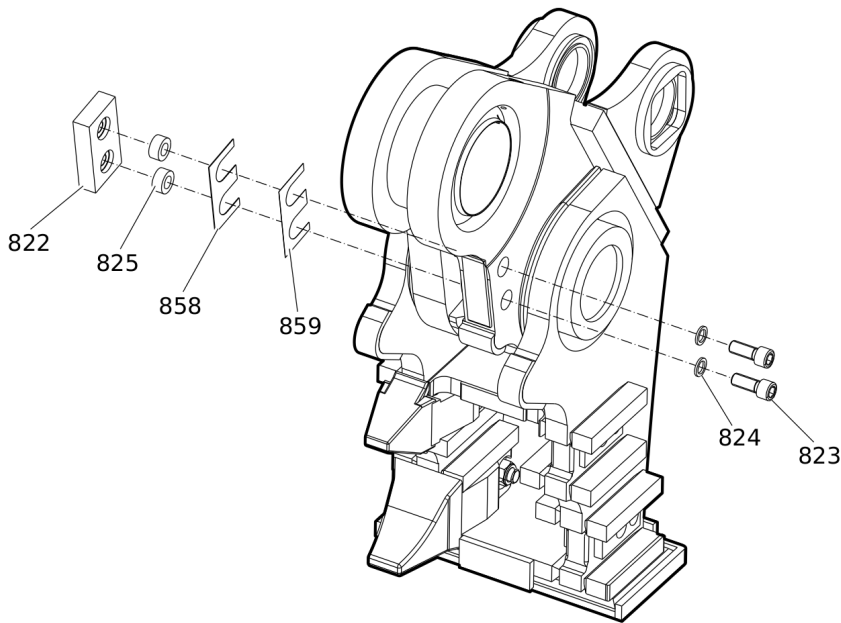


Refer to the DocMine web page for most up-to-date information. The printed information might be outdated.

Fri Nov 15 08:42:52 UTC 2024

Item	Part No.	Name	Qty	L
KIT	3363122956	CUTTER BLADES KIT S	1	
522	3363086455	CUTTER BLADE	2	
523	3360026782	ALLEN SCREW	4	
524	3361850748	PAIR OF LOCK WASHERS	4	
525	3363035107	LOCK RING	4	
554	3363092403	SHIM	2	
555	3363091026	SHIM	2	
562	3363086455	CUTTER BLADE	2	
563	3362328057	ALLEN SCREW	4	
564	3361850748	PAIR OF LOCK WASHERS	4	
565	3363035107	LOCK RING	4	
596	3363092403	SHIM	2	
597	3363091026	SHIM	2	

Service, repair and wear part kits Cutter blades kit P

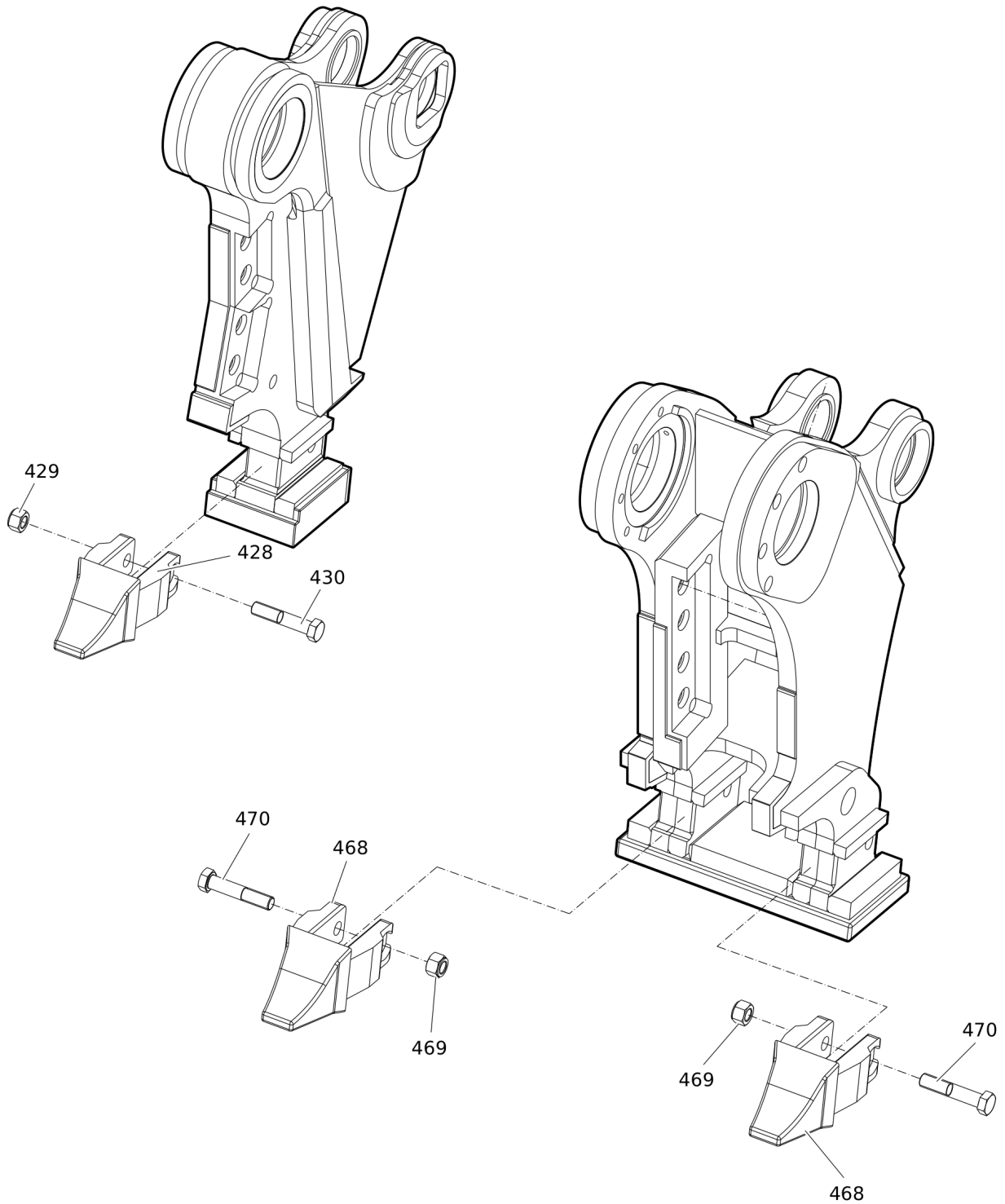


Refer to the DocMine web page for most up-to-date information. The printed information might be outdated.

Fri Nov 15 08:42:52 UTC 2024

Item	Part No.	Name	Qty	L
KIT	3363124657	CUTTER BLADES KIT P	1	
822	3363122359	CUTTER BLADE	1	
823	3360106092	ALLEN SCREW	2	
824	3361850748	PAIR OF LOCK WASHERS	2	
825	3363035107	LOCK RING	2	
858	3363122330	SHIM	1	
859	3363122331	SHIM	1	
862	3363122359	CUTTER BLADE	1	
863	3360106092	ALLEN SCREW	2	
864	3361850748	PAIR OF LOCK WASHERS	2	
865	3363035107	LOCK RING	2	
898	3363122330	SHIM	1	
899	3363122331	SHIM	1	

Service, repair and wear part kits Tip of tooth U

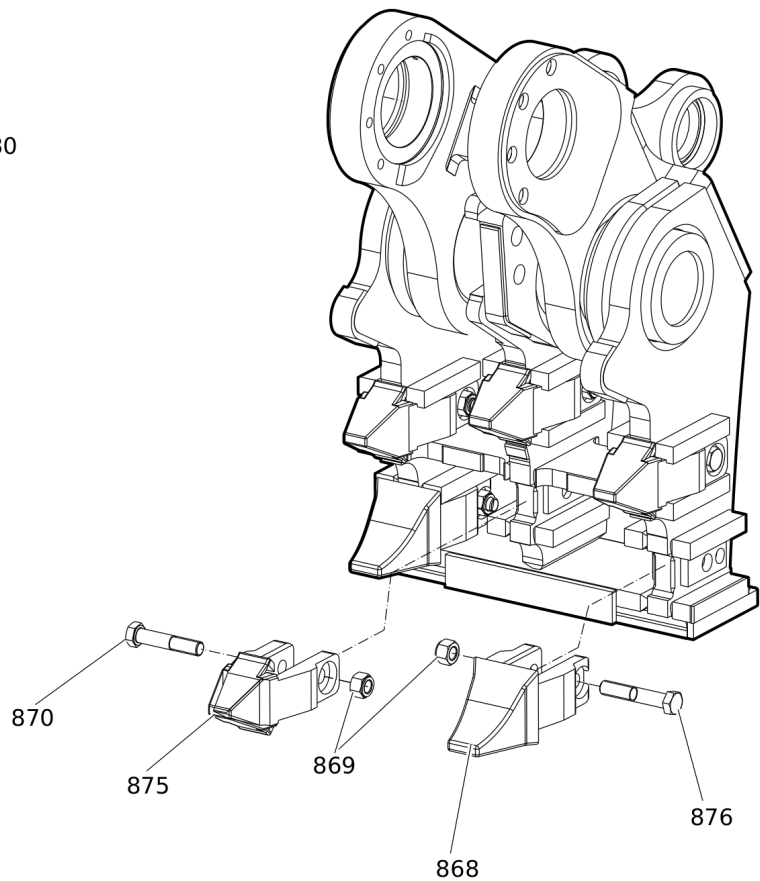
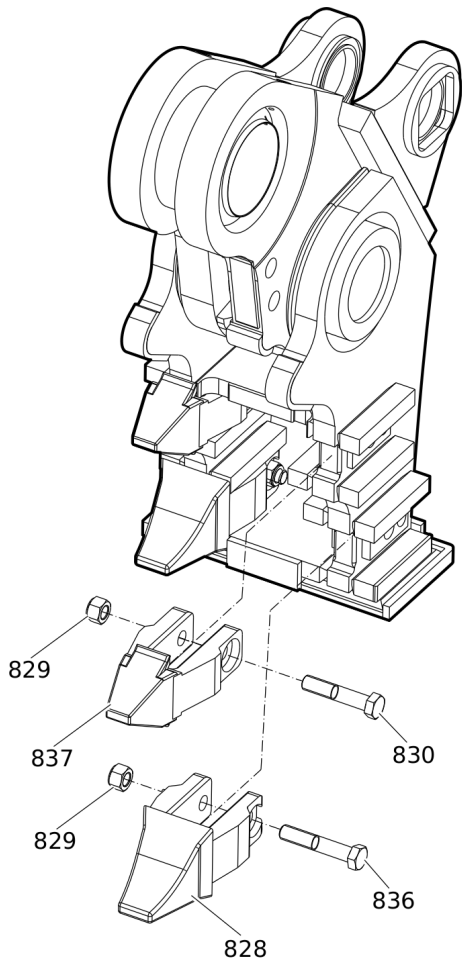


Refer to the DocMine web page for most up-to-date information. The printed information might be outdated.

Fri Nov 15 08:42:52 UTC 2024

Item	Part No.	Name	Qty	L
KIT	3363091058	TIP OF TOOTH KIT U	1	
428	3363098968	TIP OF TOOTH	1	
429	3363098934	HEXAGON NUT	1	
430	3363123492	HEXAGON HEAD BOLT	1	
468	3363098968	TIP OF TOOTH	2	
469	3363098934	HEXAGON NUT	2	
470	3363123492	HEXAGON HEAD BOLT	2	

Service, repair and wear part kits Tip of tooth P

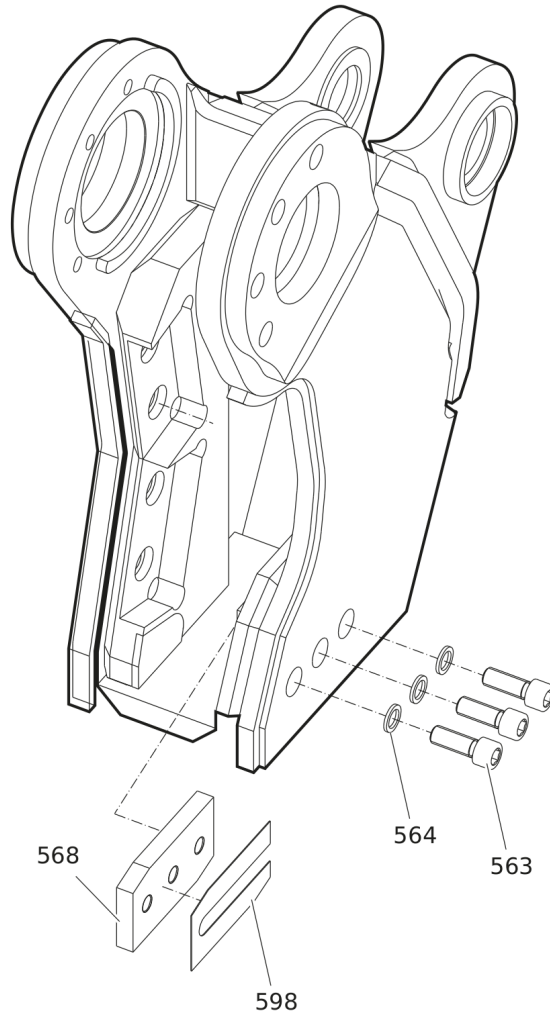


Refer to the DocMine web page for most up-to-date information. The printed information might be outdated.

Fri Nov 15 08:42:52 UTC 2024

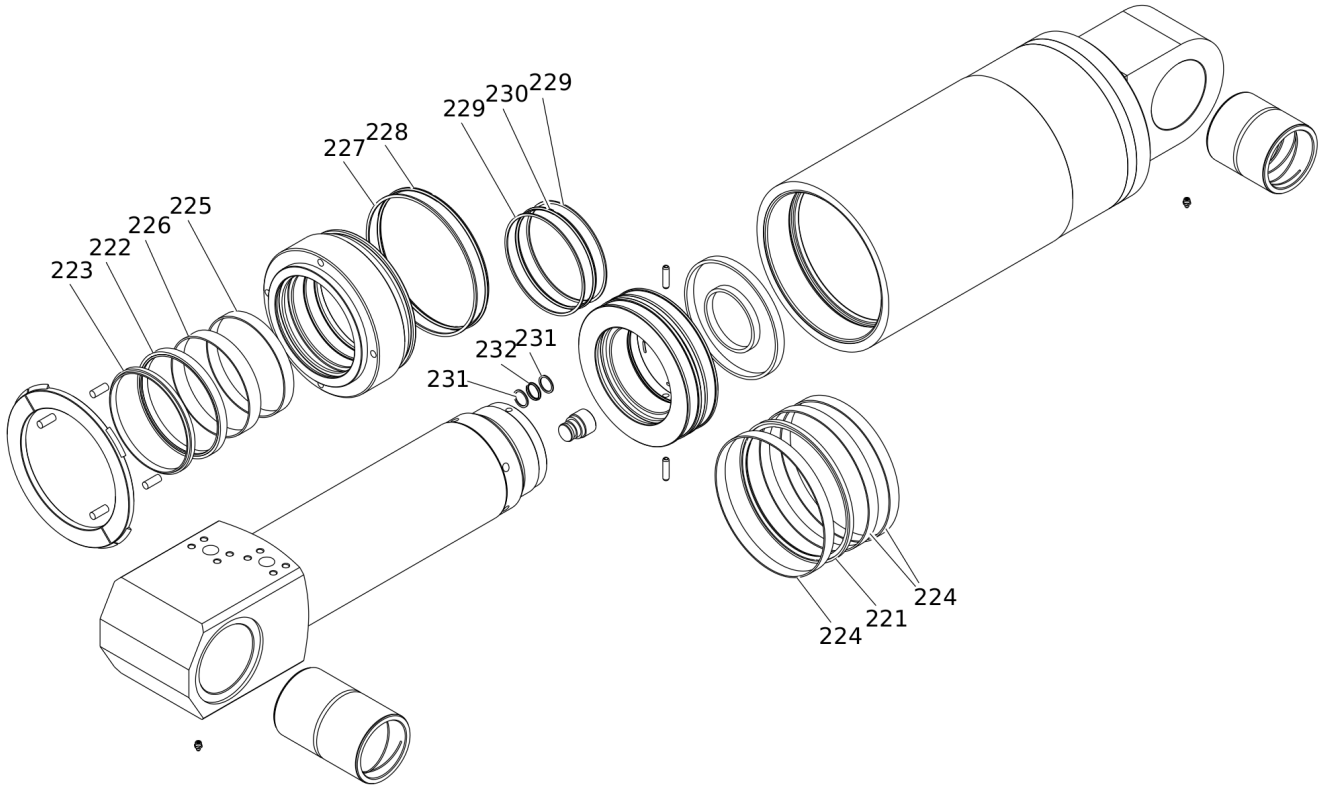
Item	Part No.	Name	Qty	L
KIT	3363124656	TIP OF TOOTH P	1	
828	3363098968	TIP OF TOOTH	2	
829	3363098934	HEXAGON NUT	4	
830	3363083962	HEXAGON HEAD BOLT	2	
836	3363123492	HEXAGON HEAD BOLT	2	
837	3363122791	TIP OF TOOTH	2	
868	3363098968	TIP OF TOOTH	2	
869	3363098934	HEXAGON NUT	6	
870	3363083962	HEXAGON HEAD BOLT	4	
875	3363122791	TIP OF TOOTH	4	
876	3363123492	HEXAGON HEAD BOLT	2	

Service, repair and wear part kits Sliding plate kit



Item	Part No.	Name	Qty	L
KIT	3363122957	SLIDING PLATE KIT	1	
563	3362328057	ALLEN SCREW	3	
564	3361850748	PAIR OF LOCK WASHERS	3	
568	3363090241	SLIDING PLATE	1	
598	3363093749	SHIM	1	

Service, repair and wear part kits Seal kit (Hydraulic cylinder)



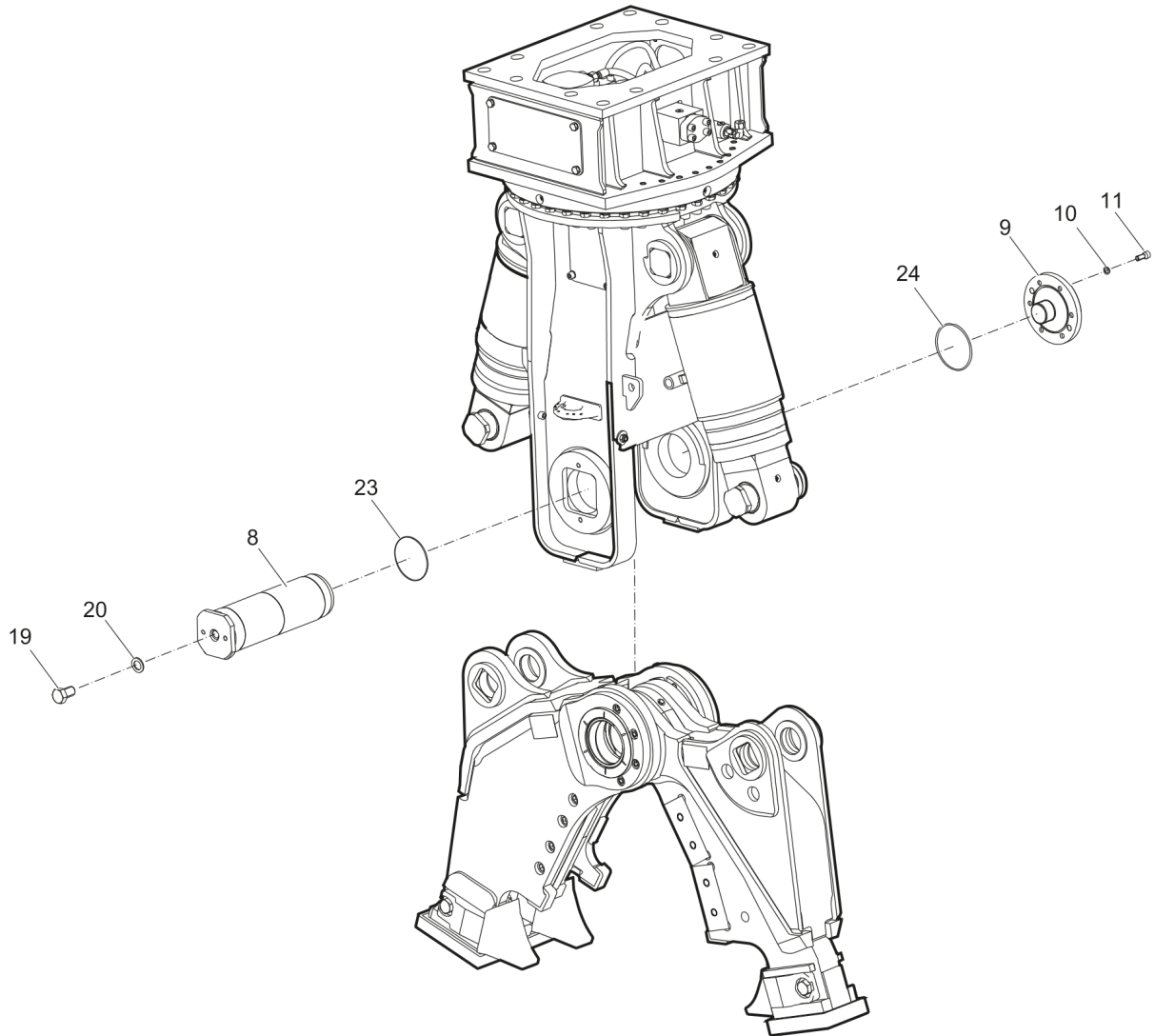
Item	Part No.	Name	Qty	L
KIT	3363123292	SEAL KIT (hydraulic cylinder)	1	
221		SEAL	1	
222		SEAL	1	
223		WIPER	1	
224		GUIDE RING	3	
225		GUIDE RING	1	
226		GUIDE RING	1	
227		BACK-UP RING	1	
228		O-RING	1	
229		BACK-UP RING	2	
230		O-RING	1	
231		BACK-UP RING	2	
232		O-RING	1	

Service, repair and wear part kits Kit list

**NO EXPLODED VIEW
AVAILABLE
FOR THIS BOM**

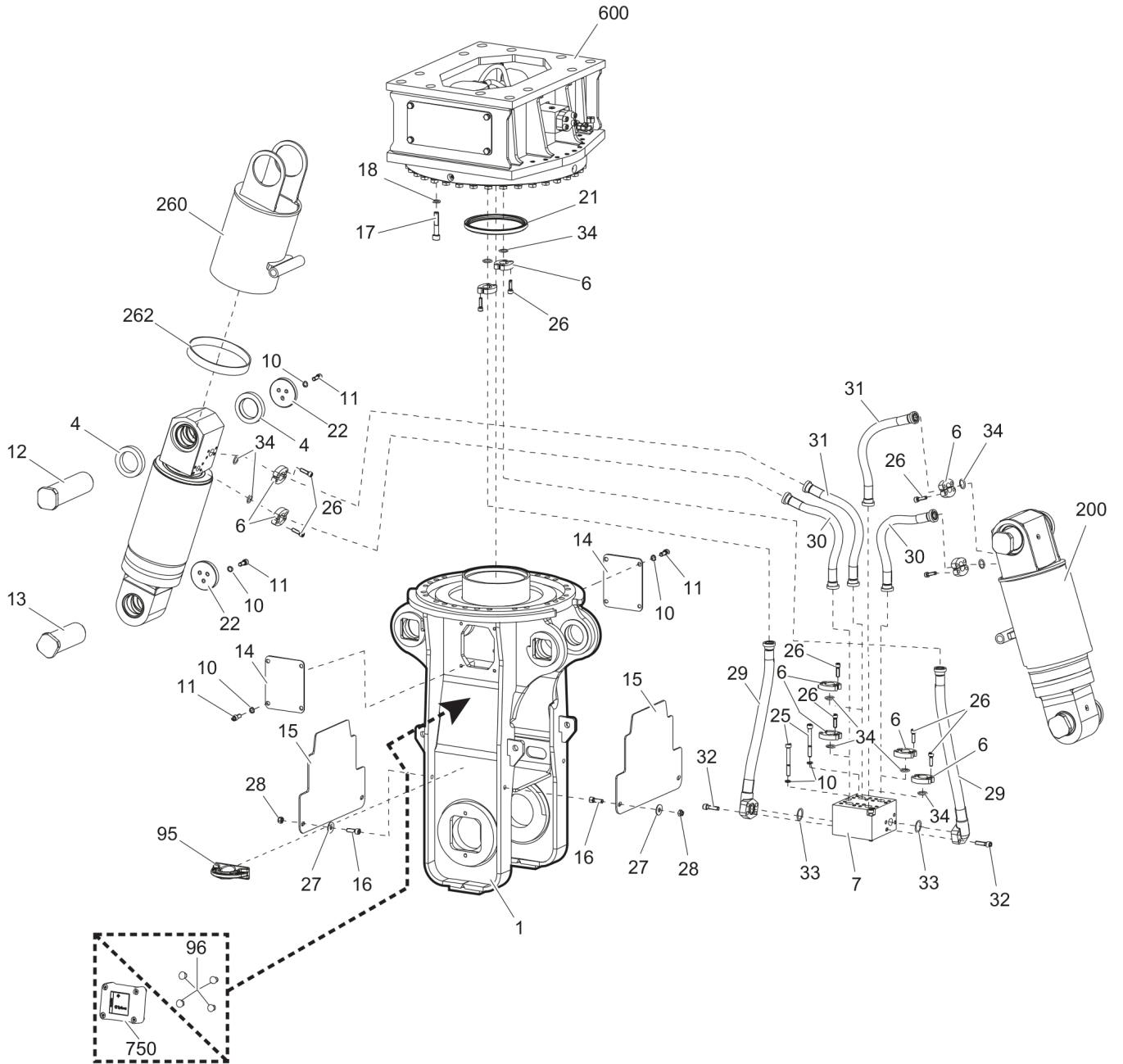
Item	Part No.	Name	Qty	L
KIT	3363122889	LABEL KIT	1	
715	3363083065	SEAL KIT (Rotary transmission)	1	
KIT	3363126309	SEAL KIT (Hydraulic motor and housing)	1	
KIT	3363091927	SEAL KIT (Rapid movement valve)	1	

Mechanical Hydraulic demolition cutter part 1



Item	Part No.	Name	Qty	L
8	3363122722	BOLT	1	
9	3363123293	CAP	1	
10	3361850596	PAIR OF LOCK WASHERS	3	
11	3360103751	ALLEN SCREW	3	
19	3363091095	HEXAGON HEAD SCREW	1	
20	3361850746	PAIR OF LOCK WASHERS	1	
23	3363091048	O-RING	1	
24	3360314664	O-RING	1	

Mechanical Hydraulic demolition cutter part 2



Refer to the DocMine web page for most up-to-date information. The printed information might be outdated.

Fri Nov 15 08:42:53 UTC 2024

Item	Part No.	Name	Qty	L
1	3363122672	HOUSING	1	A
4	3363122749	SPACER RING	4	
6	3360995664	FLANGE HALF	20	
7	3363103689	RAPID MOVEMENT VALVE	1	
10	3361850596	PAIR OF LOCK WASHERS	23	
11	3360103751	ALLEN SCREW	20	
12	3363122682	BOLT	2	
13	3363122681	BOLT	2	
14	3362262371	CAP	2	
15	3363122869	CAP	2	
16	3360026511	ALLEN SCREW	4	
17	3363070490	ALLEN SCREW	28	
18	3361333703	PAIR OF LOCK WASHERS	28	
21	3363091934	ROTARY SHAFT SEAL	1	
22	3363122862	CAP	4	
25	3360118445	ALLEN SCREW	3	
26	3360026393	ALLEN SCREW	40	
27	3362328082	WASHER	4	
28	3363115633	HEXAGON NUT	4	
29	3363126480	HYDRAULIC HOSE	2	
30	3363122899	HYDRAULIC HOSE	2	
31	3363122900	HYDRAULIC HOSE	2	
32	3360026513	ALLEN SCREW	8	
33	3360314370	O-RING	2	
34	3360314549	O-RING	10	
95	3363111994	LIFTING EYE	2	B
96	3315439145	PROTECTIVE PLUG HATCON	1	C
200	3363122894	HYDRAULIC CYLINDER complete	2	D
260	3363122876	PROTECTIVE PISTON ROD SHEATH complete	2	E
262	3363122739	GUIDE STRIP	2	
600	3363122728	UPPER PART complete	1	D
750		HATCON	1	F

Comments for Page: Hydraulic demolition cutter part 2

A | with item 95

B | professional welding process necessary

C | only for hydraulic demolition cutters without HATCON

D | see separate chapter

Refer to the DocMine web page for most up-to-date information. The printed information might be outdated.

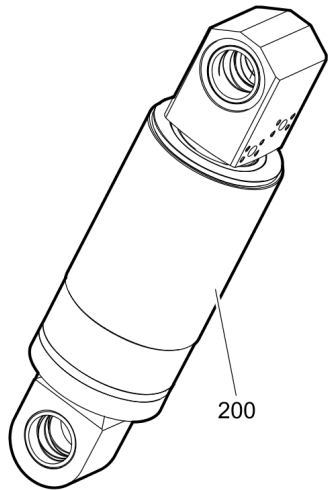
Fri Nov 15 08:42:54 UTC 2024

E | with item 262

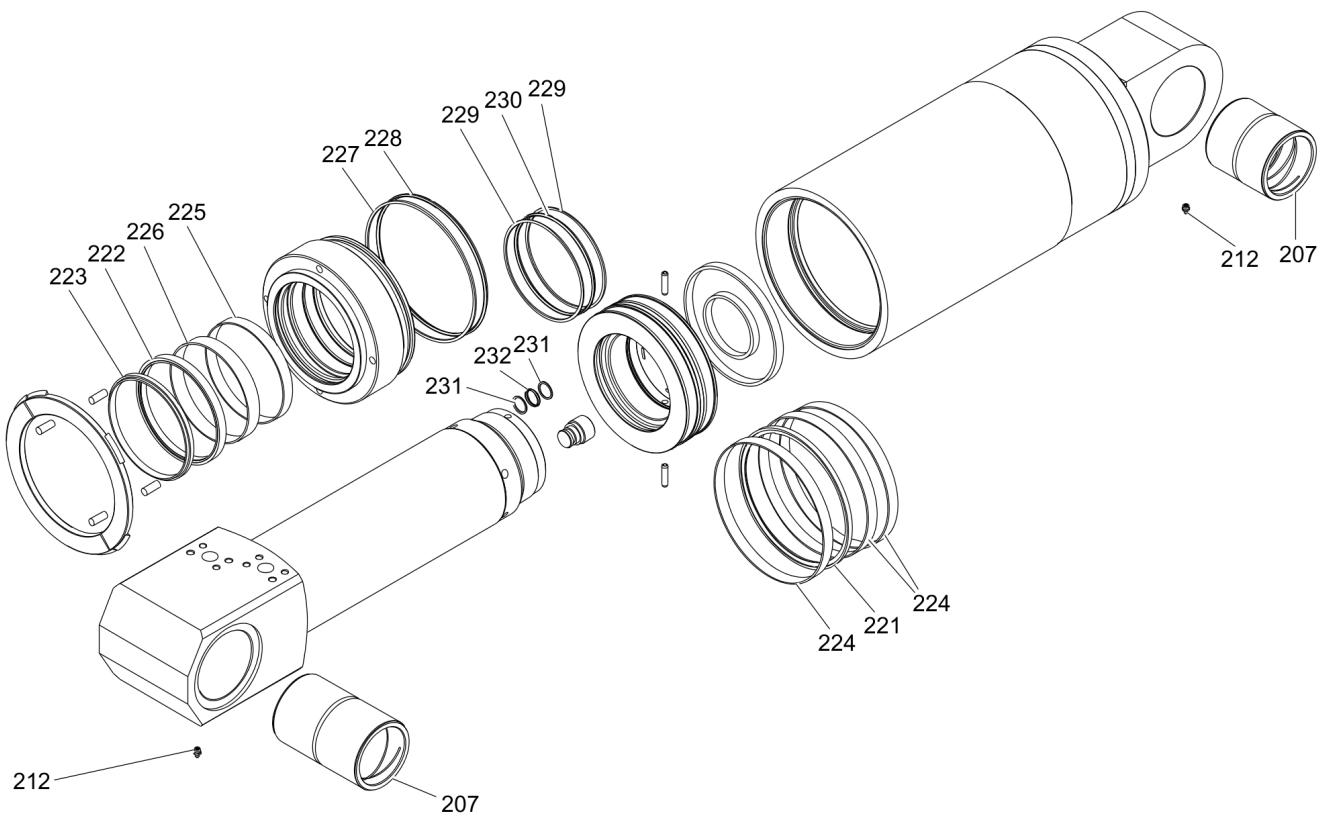
F | only for hydraulic demolition cutters with HATCON / see separate chapter

This page intentionally left blank

Mechanical Hydraulic cylinder



220											
221	222	223	224	225	226	227	228	229	230	231	232



Refer to the DocMine web page for most up-to-date information. The printed information might be outdated.

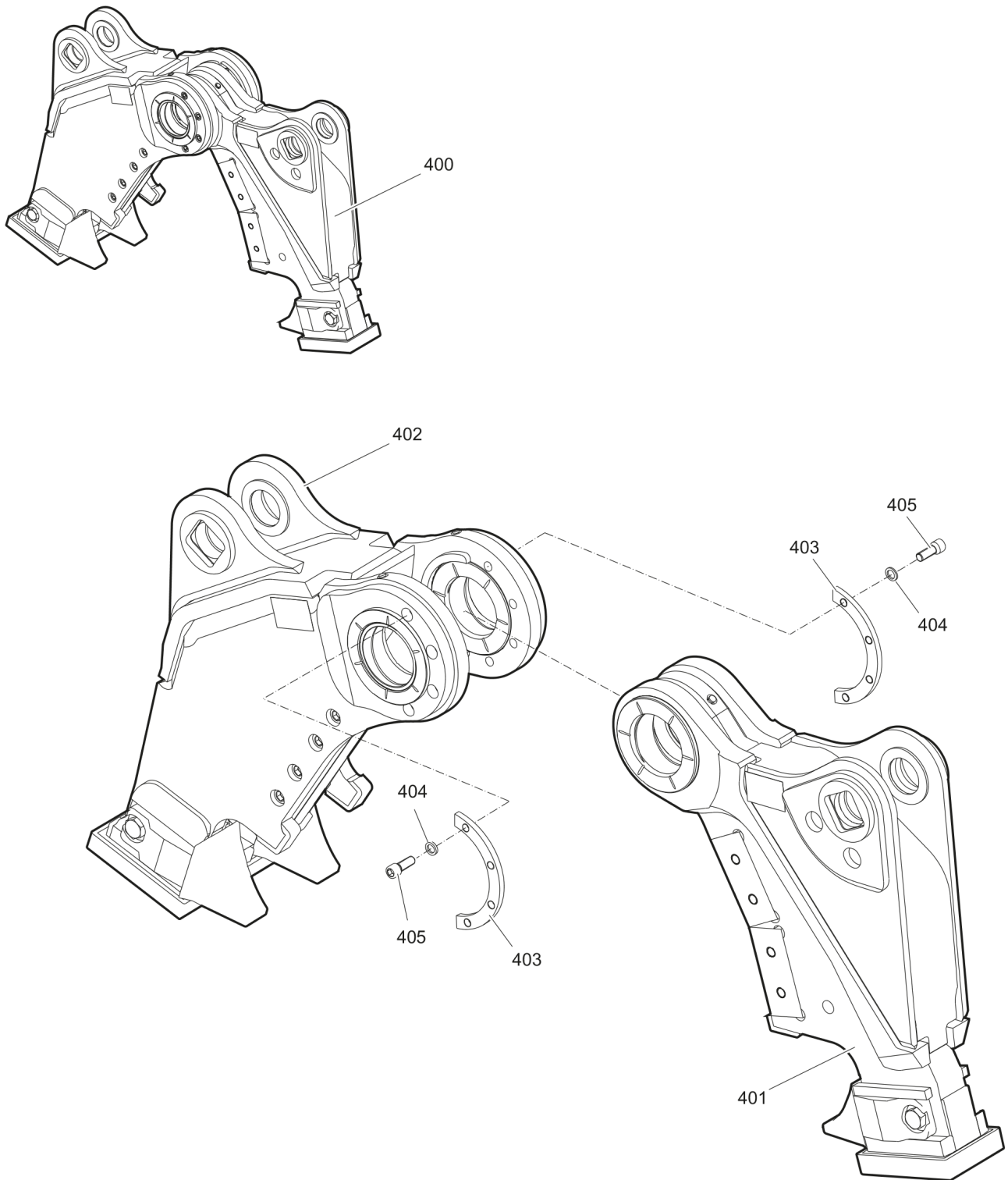
Fri Nov 15 08:42:54 UTC 2024

Item	Part No.	Name	Qty	L
200	3363122894	HYDRAULIC CYLINDER complete	1	A
207	3363122914	CLAMPING BUSH	2	
212	3360209834	GREASE NIPPLE	2	
220(221-232)	3363123292	SEAL KIT (hydraulic cylinder)	1	
221		SEAL	1	
222		SEAL	1	
223		WIPER	1	
224		GUIDE RING	3	
225		GUIDE RING	1	
226		GUIDE RING	1	
227		BACK-UP RING	1	
228		O-RING	1	
229		BACK-UP RING	2	
230		O-RING	1	
231		BACK-UP RING	2	
232		O-RING	1	

Comments for Page: Hydraulic cylinder

A | with item 207 - 232

Mechanical Cutter jaw pair U complete



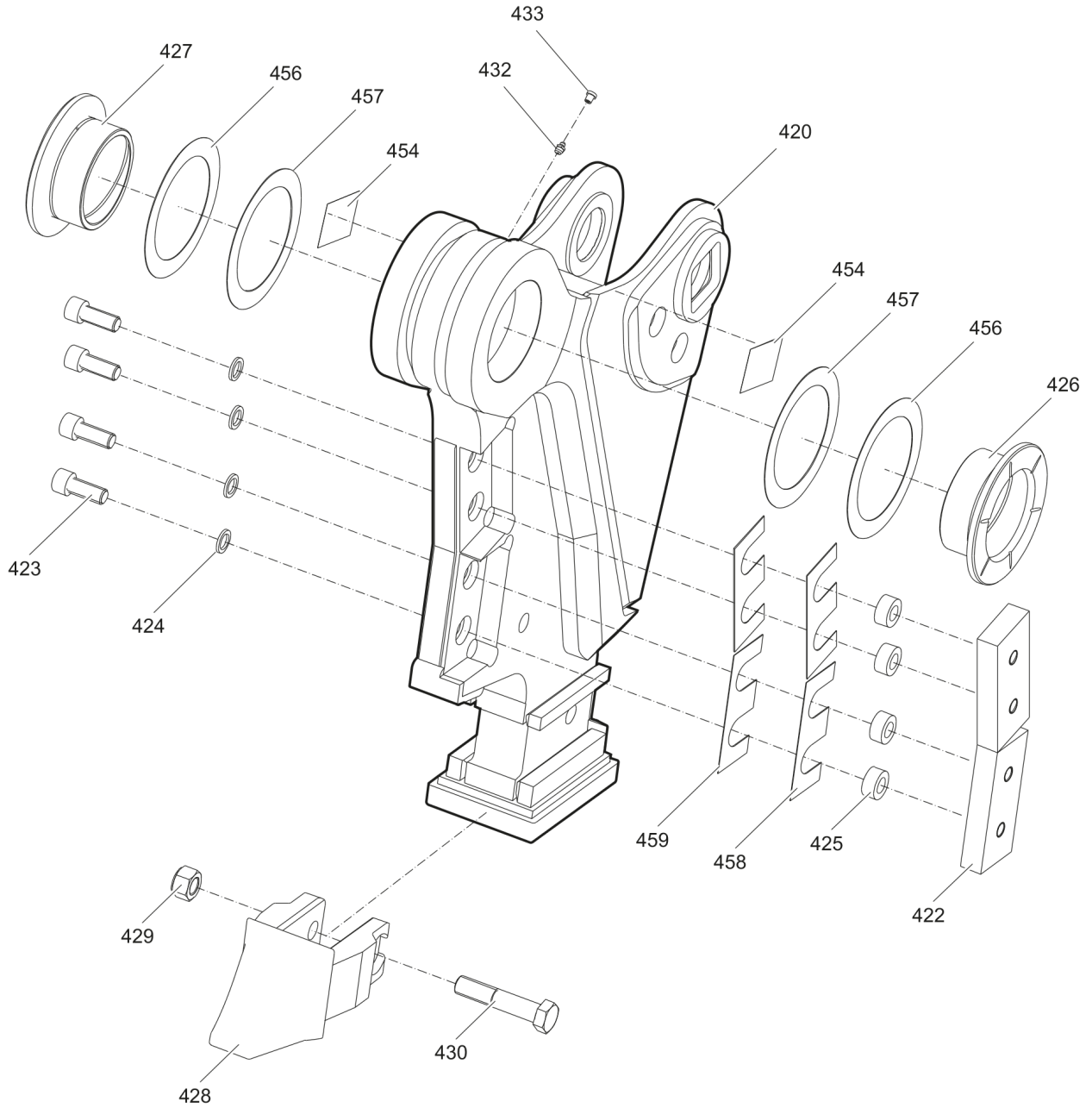
Item	Part No.	Name	Qty	L
400	3363122883	CUTTER JAW PAIR U complete	1	A
401	3363122880	CUTTER JAW (single) U	1	B
402	3363122879	CUTTER JAW (double) U	1	B
403	3363092105	RING SEGMENT	2	
404	3361333703	PAIR OF LOCK WASHERS	8	
405	3360026641	ALLEN SCREW	8	

Comments for Page: Cutter jaw pair U complete

A | with item 401 - 405

B | see separate chapter

Mechanical Cutter jaw (single) U



Refer to the DocMine web page for most up-to-date information. The printed information might be outdated.

Fri Nov 15 08:42:56 UTC 2024

Item	Part No.	Name	Qty	L
420	3363122880	CUTTER JAW (single) U	1	A
422	3363086479	CUTTER BLADE	2	
423	3360026782	ALLEN SCREW	4	
424	3361850748	PAIR OF LOCK WASHERS	4	
425	3363035107	LOCK RING	4	
426	3363092137	BEARING BUSH	1	
427	3363092139	BEARING BUSH	1	
428	3363098968	TIP OF TOOTH	1	B
429	3363098934	HEXAGON NUT	1	
430	3363123492	HEXAGON HEAD BOLT	1	
432	3360209834	GREASE NIPPLE	1	
433	3363087600	CAP	1	
454	3362268751	LABEL TIGHTENING TORQUE	2	C
456	3363091056	SPACER RING	2	D
457	3363092141	SPACER RING	2	E
458	3363088149	SHIM	2	D
459	3363087607	SHIM	2	E

Comments for Page: Cutter jaw (single) U

A | with item 422 - 454

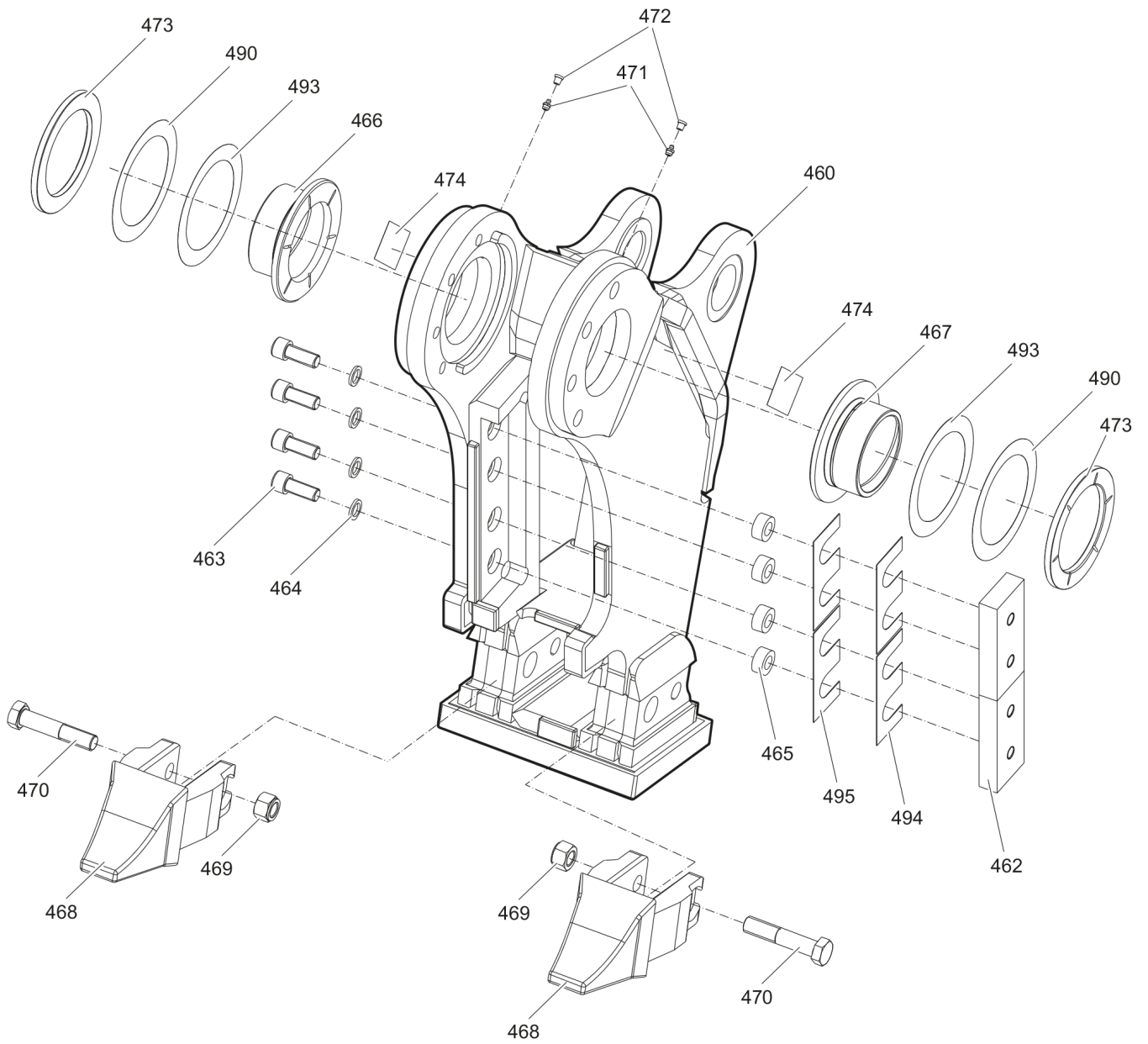
B | with item 429 and 430

C | German/English

D | 0.2 mm (0.01 in.) thick, as required

E | 1.0 mm (0.04 in.) thick, as required

Mechanical Cutter jaw (double) U



Refer to the DocMine web page for most up-to-date information. The printed information might be outdated.

Fri Nov 15 08:42:57 UTC 2024

Item	Part No.	Name	Qty	L
460	3363122879	CUTTER JAW (double) U	1	A
462	3363086479	CUTTER BLADE	2	
463	3360026782	ALLEN SCREW	4	
464	3361850748	PAIR OF LOCK WASHERS	4	
465	3363035107	LOCK RING	4	
466	3363092137	BEARING BUSH	1	
467	3363092139	BEARING BUSH	1	
468	3363098968	TIP OF TOOTH	2	B
469	3363098934	HEXAGON NUT	2	
470	3363123492	HEXAGON HEAD BOLT	2	
471	3360209834	GREASE NIPPLE	2	
472	3363087600	CAP	2	
473	3362268349	WEAR RING	2	
474	3362268751	LABEL TIGHTENING TORQUE	2	C
490	3363091056	SPACER RING	2	D
493	3363092141	SPACER RING	2	E
494	3363088149	SHIM	2	D
495	3363087607	SHIM	2	E

Comments for Page: Cutter jaw (double) U

A | with item 462 - 474

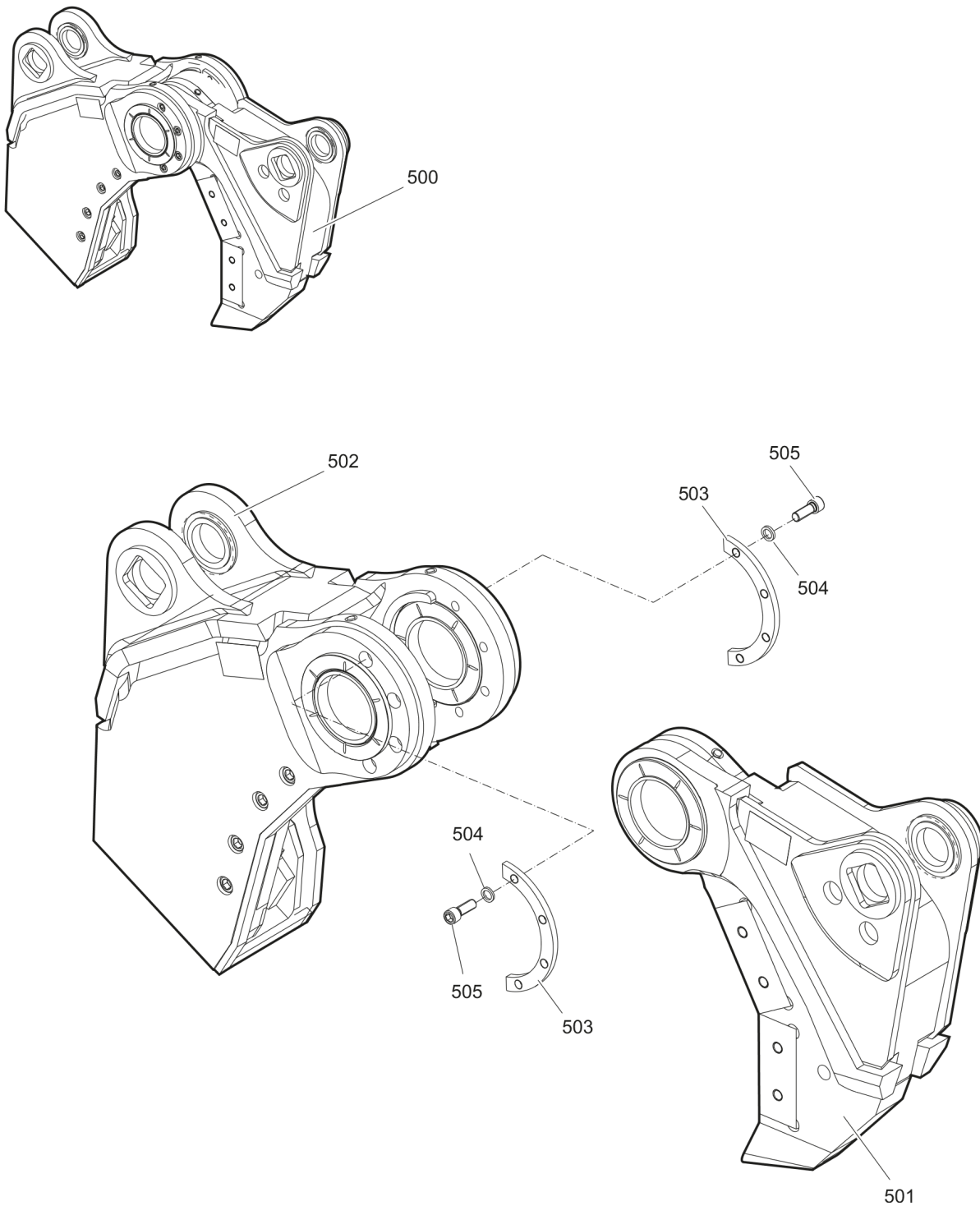
B | with item 469 and 470

C | German/English

D | 0.2 mm (0.01 in.) thick, as required

E | 1.0 mm (0.04 in.) thick, as required

Mechanical Cutter jaw pair S complete



Item	Part No.	Name	Qty	L
500	3363122940	CUTTER JAW PAIR S, complete	1	A
501	3363122944	CUTTER JAW (single) S	1	B
502	3363122942	CUTTER JAW (double) S	1	B
503	3363092105	RING SEGMENT	2	
504	3361333703	PAIR OF LOCK WASHERS	8	
505	3360026641	ALLEN SCREW	8	

Comments for Page: Cutter jaw pair S complete

A | with item 501 - 505

B | see separate chapter

Item	Part No.	Name	Qty	L
520	3363122944	CUTTER JAW (single) S	1	A
522	3363086455	CUTTER BLADE	2	
523	3360026782	ALLEN SCREW	4	
524	3361850748	PAIR OF LOCK WASHERS	4	
525	3363035107	LOCK RING	4	
527	3363092139	BEARING BUSH	1	
528	3363092137	BEARING BUSH	1	
532	3360209834	GREASE NIPPLE	1	
533	3363087600	CAP	1	
551	3362268751	LABEL TIGHTENING TORQUE	2	B
552	3363091056	SPACER RING	2	C
553	3363092141	SPACER RING	2	D
554	3363092403	SHIM	2	C
555	3363091026	SHIM	2	D

Comments for Page: Cutter jaw (single) S

A | with item 522 - 551

B | German/English

C | 0.2 mm (0.01 in.) thick, as required

D | 1.0 mm (0.04 in.) thick, as required

Item	Part No.	Name	Qty	L
560	3363122942	CUTTER JAW (double) S	1	A
562	3363086455	CUTTER BLADE	2	
563	3362328057	ALLEN SCREW	7	
564	3361850748	PAIR OF LOCK WASHERS	7	
565	3363035107	LOCK RING	4	
566	3363092137	BEARING BUSH	1	
567	3363092139	BEARING BUSH	1	
568	3363090241	SLIDING PLATE	1	
569	3360209834	GREASE NIPPLE	2	
570	3363087600	CAP	2	
571	3362268349	WEAR RING	2	
572	3362268751	LABEL TIGHTENING TORQUE	2	B
594	3363091056	SPACER RING	2	D
595	3363092141	SPACER RING	2	C
596	3363092403	SHIM	2	D
597	3363091026	SHIM	2	C
598	3363093749	SHIM	1	C

Comments for Page: Cutter jaw (double) S

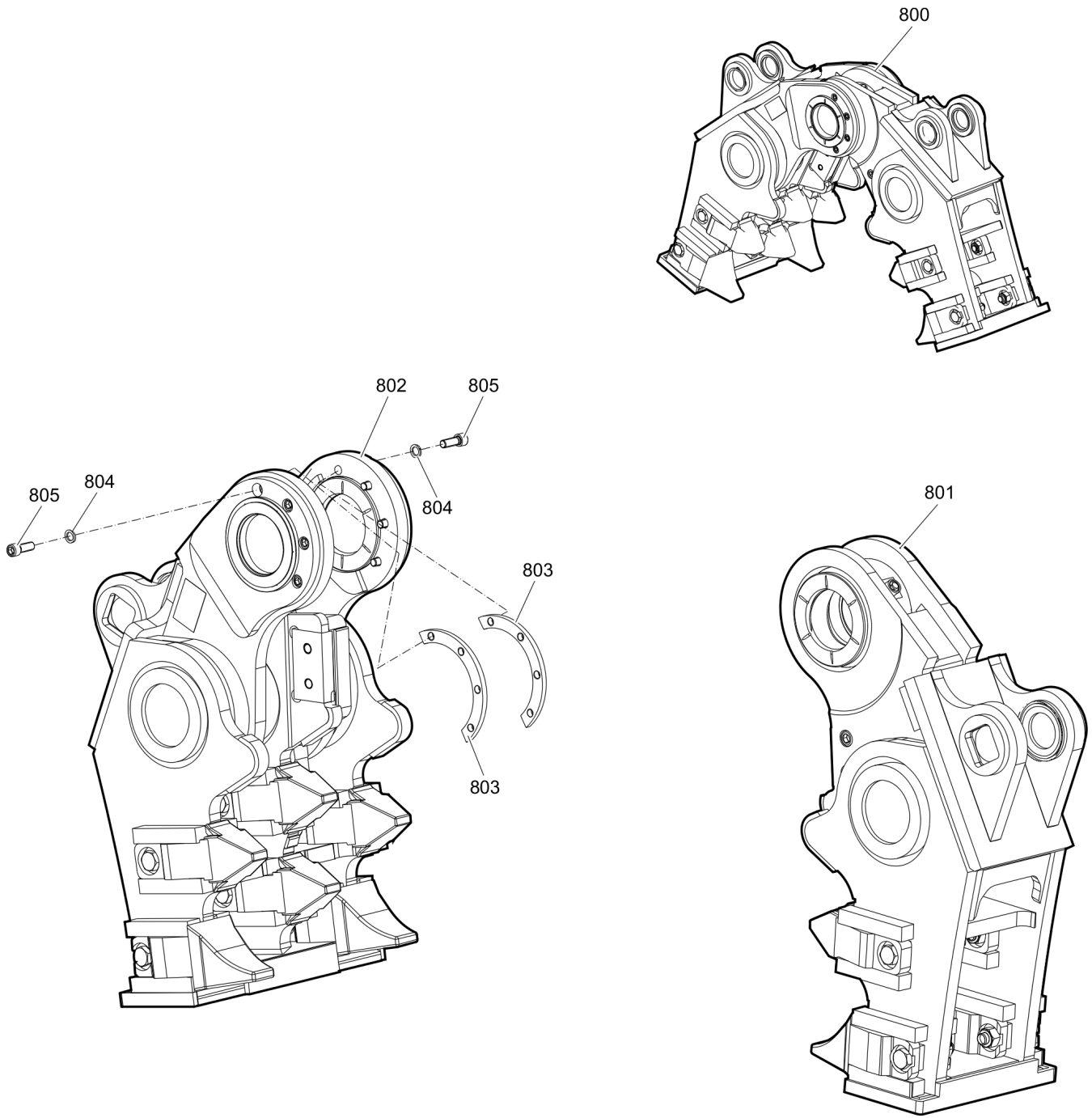
A | with item 562 - 572

B | German/English

C | 1.0 mm (0.04 in.) thick, as required

D | 0.2 mm (0.01 in.) thick, as required

Mechanical Cutter jaw pair P complete



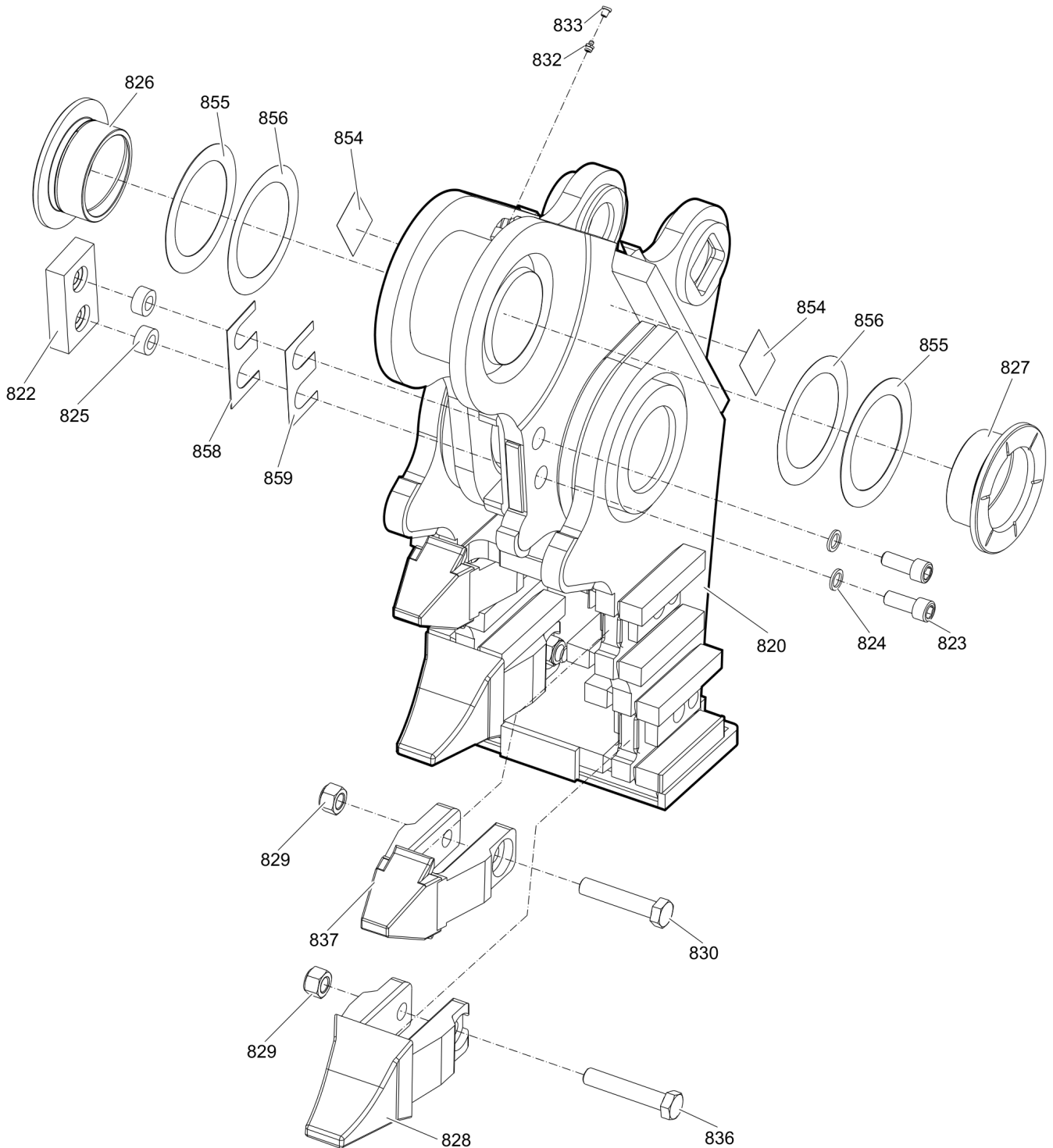
Item	Part No.	Name	Qty	L
800	3363125718	CUTTER JAW PAIR P, complete	1	A
801	3363125719	CUTTER JAW (double) P	1	B
802	3363125720	CUTTER JAW (triple) P	1	B
803	3363121161	RING SEGMENT	2	
804	3361333703	PAIR OF LOCK WASHERS	8	
805	3363083725	ALLEN SCREW	8	

Comments for Page: Cutter jaw pair P complete

A | with item 801 - 805

B | see separate chapter

Mechanical Cutter jaw (double) P



Refer to the DocMine web page for most up-to-date information. The printed information might be outdated.

Fri Nov 15 08:43:03 UTC 2024

Item	Part No.	Name	Qty	L
820	3363125719	CUTTER JAW (double) P	1	A
822	3363122359	CUTTER BLADE	1	
823	3360106092	ALLEN SCREW	2	
824	3361850748	PAIR OF LOCK WASHERS	2	
825	3363035107	LOCK RING	2	
826	3363092139	BEARING BUSH	1	
827	3363092137	BEARING BUSH	1	
828	3363098968	TIP OF TOOTH	2	B
829	3363098934	HEXAGON NUT	4	
830	3363083962	HEXAGON HEAD BOLT	2	
832	3360209834	GREASE NIPPLE	2	
833	3363087600	CAP	2	
836	3363123492	HEXAGON HEAD BOLT	2	
837	3363122791	TIP OF TOOTH	2	
854	3362268751	LABEL TIGHTENING TORQUE	2	C
855	3363092141	SPACER RING	2	D
856	3363091056	SPACER RING	2	E
858	3363122330	SHIM	1	E
859	3363122331	SHIM	1	D

Comments for Page: Cutter jaw (double) P

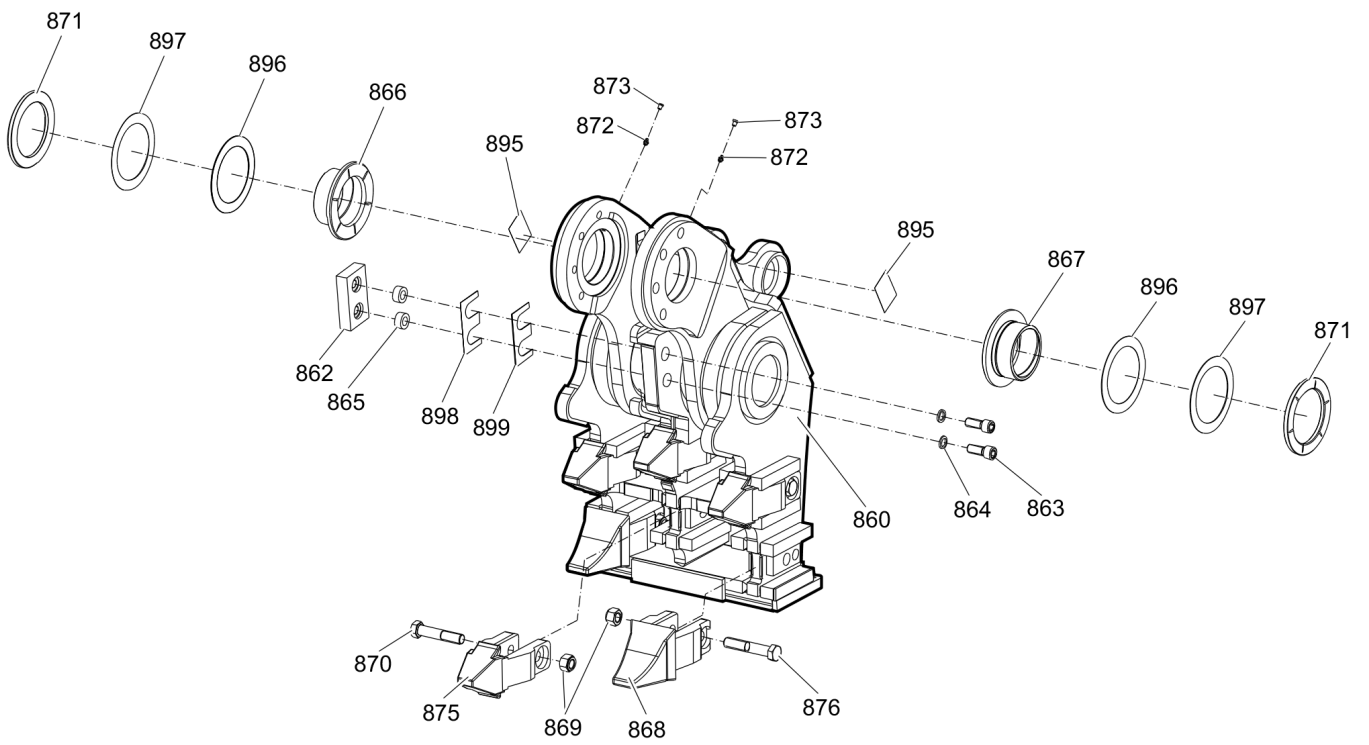
A | with item 822 - 854

B | with item 829 and 836

C | 0.2 mm (0.01 in.) thick, as required

D | 1.0 mm (0.04 in.) thick, as required

Mechanical Cutter jaw (triple) P



Refer to the DocMine web page for most up-to-date information. The printed information might be outdated.

Fri Nov 15 08:43:05 UTC 2024

Item	Part No.	Name	Qty	L
860	3363125720	CUTTER JAW (triple) P	1	A
862	3363122359	CUTTER BLADE	1	
863	3360106092	ALLEN SCREW	2	
864	3361850748	PAIR OF LOCK WASHERS	2	
865	3363035107	LOCK RING	2	
866	3363092137	BEARING BUSH	1	
867	3363092139	BEARING BUSH	1	
868	3363098968	TIP OF TOOTH	2	B
869	3363098934	HEXAGON NUT	6	
870	3363083962	HEXAGON HEAD BOLT	4	
871	3362268349	WEAR RING	2	
872	3360209834	GREASE NIPPLE	2	
873	3363087600	CAP	2	
875	3363122791	TIP OF TOOTH	4	
876	3363123492	HEXAGON HEAD BOLT	2	
895	3362268751	LABEL TIGHTENING TORQUE	2	C
896	3363092141	SPACER RING	2	D
897	3363091056	SPACER RING	2	E
898	3363122330	SHIM	1	E
899	3363122331	SHIM	1	D

Comments for Page: Cutter jaw (triple) P

A | with item 862 - 895

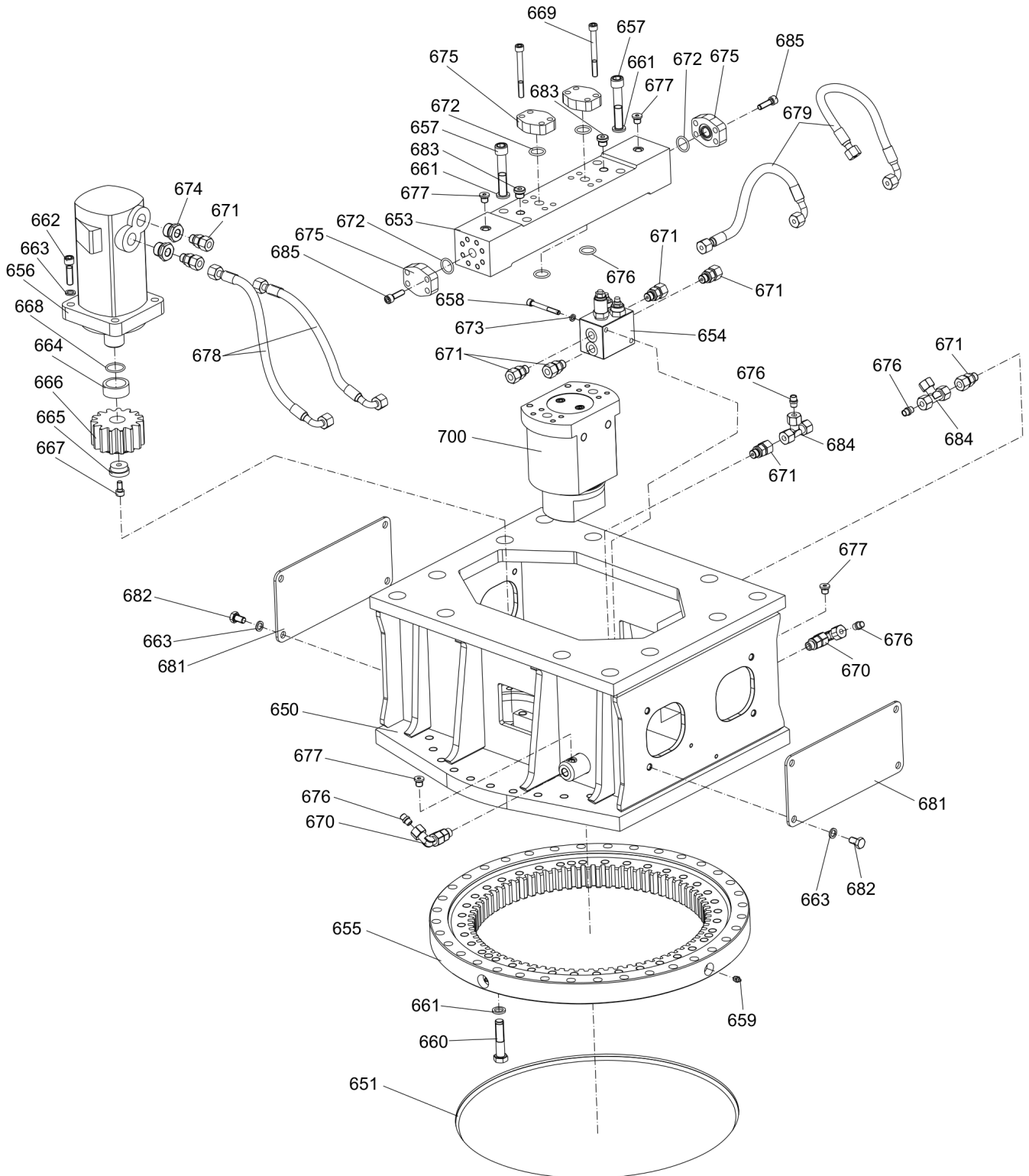
B | with item 869 and 876

C | German/English

D | 1.0 mm (0.04 in.) thick, as required

E | 0.2 mm (0.01 in.) thick, as required

Mechanical Upper part complete



Refer to the DocMine web page for most up-to-date information. The printed information might be outdated.

Fri Nov 15 08:43:06 UTC 2024

Item	Part No.	Name	Qty	L
650	3363125899	UPPER PART, complete	1	A
651	3363129335	SEAL	1	
653	3363122703	CONNECTION PLATE	1	
654	3362266712	VALVE BLOCK	1	
655	3363122701	FOUR POINT BEARING	1	
656	3363098967	HYDRAULIC MOTOR	1	
657	3362328096	ALLEN SCREW	4	
658	3360103738	ALLEN SCREW	2	
659	3360209834	GREASE NIPPLE	4	
660	3363085887	HEXAGON HEAD BOLT	36	
661	3361333703	PAIR OF LOCK WASHERS	40	
662	3360026513	ALLEN SCREW	4	
663	3361850596	PAIR OF LOCK WASHERS	12	
664	3362265869	RING	1	
665	3363088327	RING	1	
666	3362260807	SPUR PINION	1	
667	3361031981	ALLEN SCREW	1	
668	3360313304	O-RING	1	
669	3363505121	ALLEN SCREW	8	
670	3363091912	FITTING	2	
671	3360478333	FITTING	8	
672	3360314549	O-RING	6	
673	3361850743	PAIR OF LOCK WASHERS	2	
674	3362267435	FITTING	2	
675	3363091090	BLIND FLANGE	4	
676	3360314593	PLUG	4	
677	3360478439	THREADED PLUG	4	
678	3363085885	HYDRAULIC HOSE	2	
679	3363083972	HYDRAULIC HOSE	2	
681	3363126341	COVER SHEET	2	
682	3360433381	HEXAGON HEAD BOLT	8	
683	3360478440	THREADED PLUG	2	
684	3360314543	FITTING	2	
685	3360026393	ALLEN SCREW	8	
700	3363125714	ROTARY TRANSMISSION	1	B

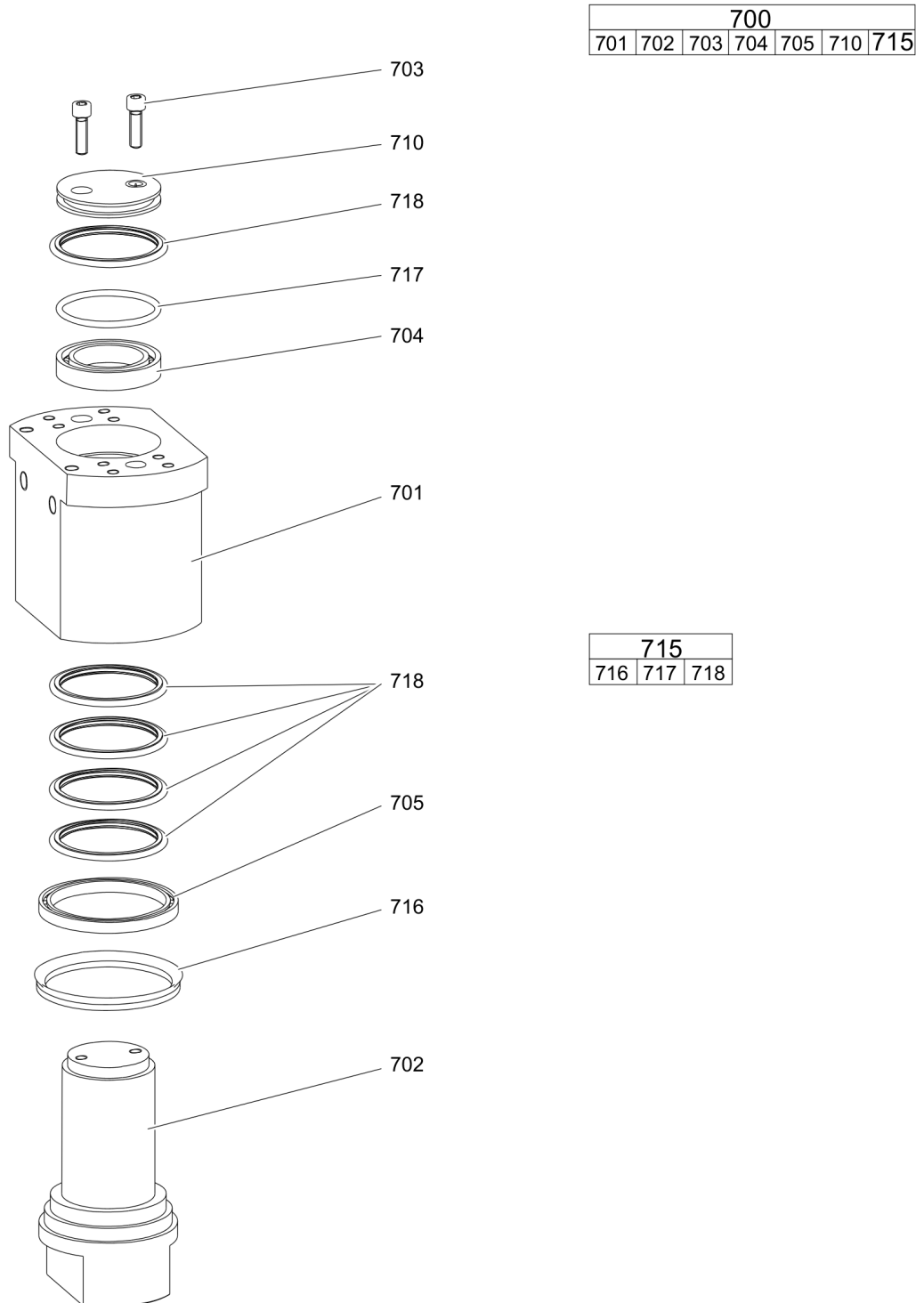
Comments for Page: Upper part complete

A | with item 653 - 700

B | see separate chapter

This page intentionally left blank

Mechanical Rotary transmission

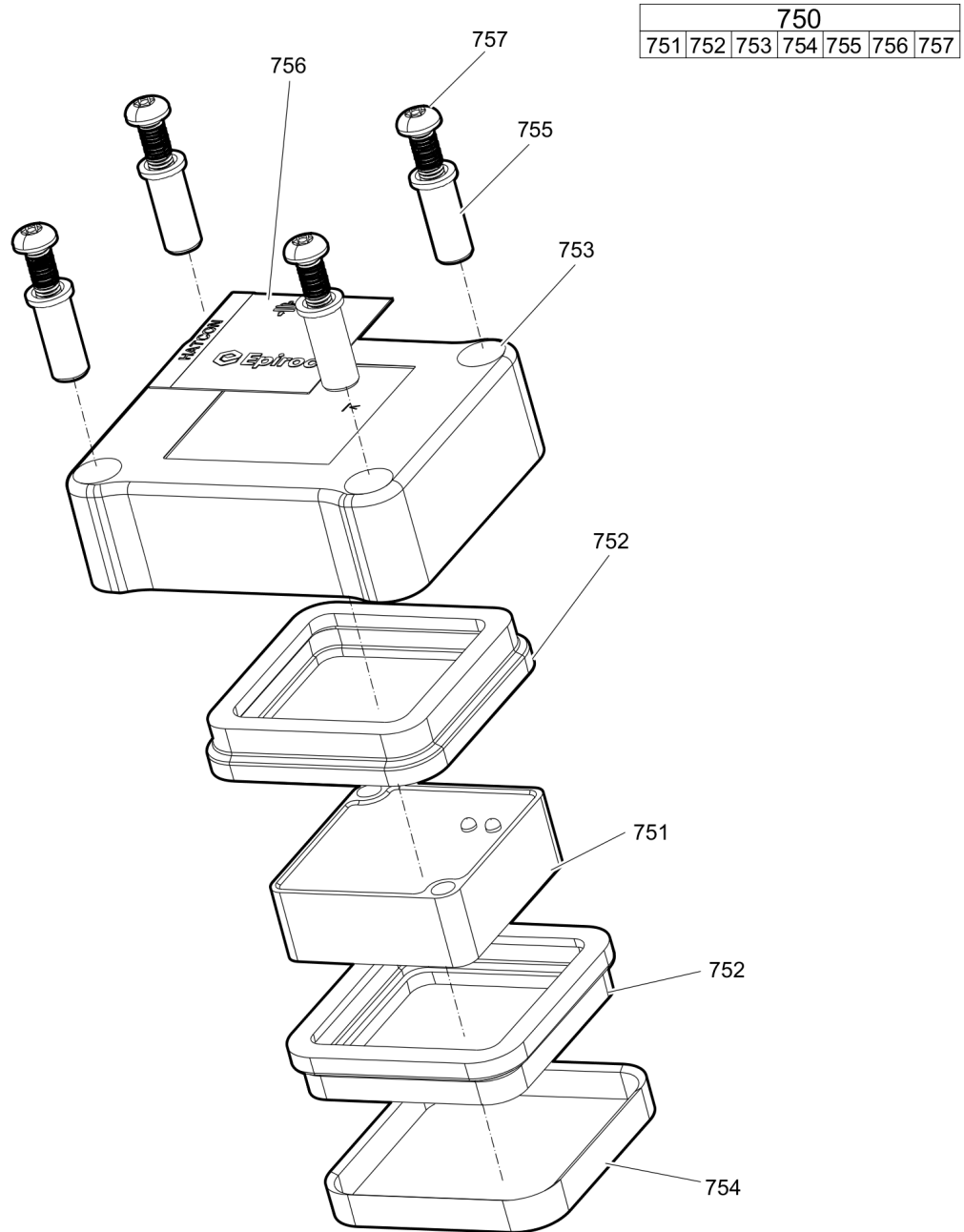


Refer to the DocMine web page for most up-to-date information. The printed information might be outdated.

Fri Nov 15 08:43:08 UTC 2024

Item	Part No.	Name	Qty	L
700(701-715)	3363125714	ROTARY TRANSMISSION	1	
701	3363034413	STATOR	1	
702	3363125939	ROTOR	1	
703	3363034422	ALLEN SCREW	2	
704	3363034416	BALL BEARING	1	
705	3363034417	BALL BEARING	1	
710	3363034415	CAP	1	
715(716-718)	3363083065	SEAL KIT (Rotary transmission)	1	
716		V-RING	1	
717		O-RING	1	
718		SLIDE RING	5	

Mechanical HATCON



Item	Part No.	Name	Qty	L
750(751-757)		HATCON	1	A
751		TRACKING MODULE HATCON	1	
752	3315439130	DAMPER HATCON	2	
753	3315439110	HOUSING TYPE 1 HATCON	1	
754	3315439140	LOCK RING HATCON	1	
755	3315439120	SLEEVE HATCON	4	
756	3315439100	PRODUCT LABEL HATCON	1	
757	3315442600	SCREW HATCON	4	

Comments for Page: HATCON

A | part number see chapter "Optional equipment"

Mechanical Tightening torques

NO EXPLODED VIEW
AVAILABLE
FOR THIS BOM

Item	Part No.	Name	Qty	L
11	-	SCREW HATCON - 22 Nm (16 ft lbf)	-	
17	-	ALLEN SCREW - 255 + 30 Nm (188 + 22 ft lbf)	-	
19	-	HEXAGON HEAD SCREW - 650 + 50 Nm (479 + 37 ft lbf)	-	
26	-	ALLEN SCREW - 44 + 5 Nm (32 + 4 ft lbf)	-	
32	-	SCREW HATCON - 22 Nm (16 ft lbf)	-	
405	-	ALLEN SCREW - 180 + 20 Nm (133 + 15 ft lbf)	-	
423	-	ALLEN SCREW - 530 + 30 Nm (391 + 22 ft lbf)	-	
430	-	HEXAGON HEAD SCREW - 920 + 30 Nm (679 + 22 ft lbf)	-	
463	-	ALLEN SCREW - 530 + 30 Nm (391 + 22 ft lbf)	-	
470	-	HEXAGON HEAD SCREW - 530 + 30 Nm (391 + 22 ft lbf)	-	
505	-	ALLEN SCREW - 180 + 20 Nm (133 + 15 ft lbf)	-	
523	-	ALLEN SCREW - 530 + 30 Nm (391 + 22 ft lbf)	-	
563	-	ALLEN SCREW - 530 + 30 Nm (391 + 22 ft lbf)	-	
607	-	FITTING - 70 + 5 Nm (52 + 4 ft lbf)	-	
608	-	FITTING - 150 + 20 Nm (111 + 15 ft lbf)	-	
609	-	FITTING - 70 + 5 Nm (52 + 4 ft lbf)	-	
614	-	ALLEN SCREW - 75 Nm (18 ft lbf)	-	A
616	-	SCREW HATCON - 22 Nm (16 ft lbf)	-	
618	-	HEXAGON HEAD SCREW - 270 + 10 Nm (199 + 7 ft lbf)	-	
620	-	THREADED PLUG - 25 + 5 Nm (18 + 4 ft lbf)	-	
621	-	ALLEN SCREW - 255 + 30 Nm (188 + 22 ft lbf)	-	
623	-	ALLEN SCREW - 19 + 5 Nm (14 + 4 ft lbf)	-	
628	-	SCREW HATCON - 22 Nm (16 ft lbf)	-	
630	-	HEXAGON HEAD SCREW - 75 + 10 Nm (55 + 7 ft lbf)	-	
633	-	ALLEN SCREW - 44 + 5 Nm (32 + 4 ft lbf)	-	
703	-	ALLEN SCREW - 44 + 5 Nm (32 + 4 ft lbf)	-	
757	-	SCREW HATCON - 22 Nm (16 ft lbf)	-	
805	-	ALLEN SCREW - 180 + 20 Nm (133 + 15 ft lbf)	-	
823	-	ALLEN SCREW - 530 + 30 Nm (391 + 22 ft lbf)	-	
830	-	HEXAGON HEAD SCREW - 920 + 30 Nm (679 + 22 ft lbf)	-	
832	-	GREASE NIPPLE - 8 + 2 Nm (6 + 1 ft lbf)	-	
836	-	HEXAGON HEAD SCREW - 920 + 30 Nm (679 + 22 ft lbf)	-	
863	-	ALLEN SCREW - 530 + 30 Nm (391 + 22 ft lbf)	-	
870	-	HEXAGON HEAD SCREW - 920 + 30 Nm (679 + 22 ft lbf)	-	
872	-	GREASE NIPPLE - 8 + 2 Nm (6 + 1 ft lbf)	-	
876	-	HEXAGON HEAD SCREW - 920 + 30 Nm (679 + 22 ft lbf)	-	

Comments for Page: Tightening torques

Refer to the DocMine web page for most up-to-date information. The printed information might be outdated.

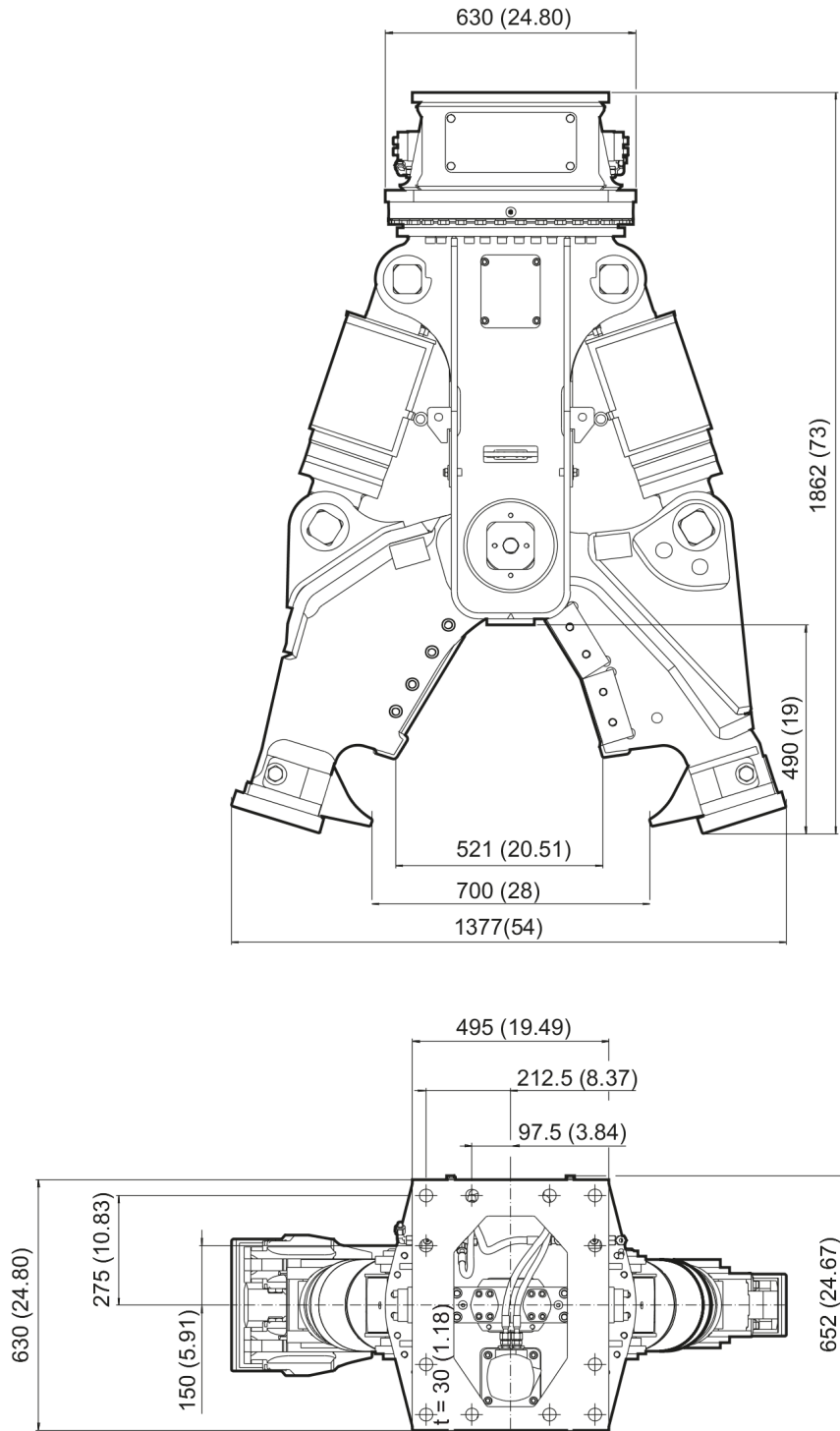
Fri Nov 15 08:43:10 UTC 2024

(L)OCAL REMARKS

A | fix with Loctite 243

This page intentionally left blank

Mechanical Dimensions CC 1600 U

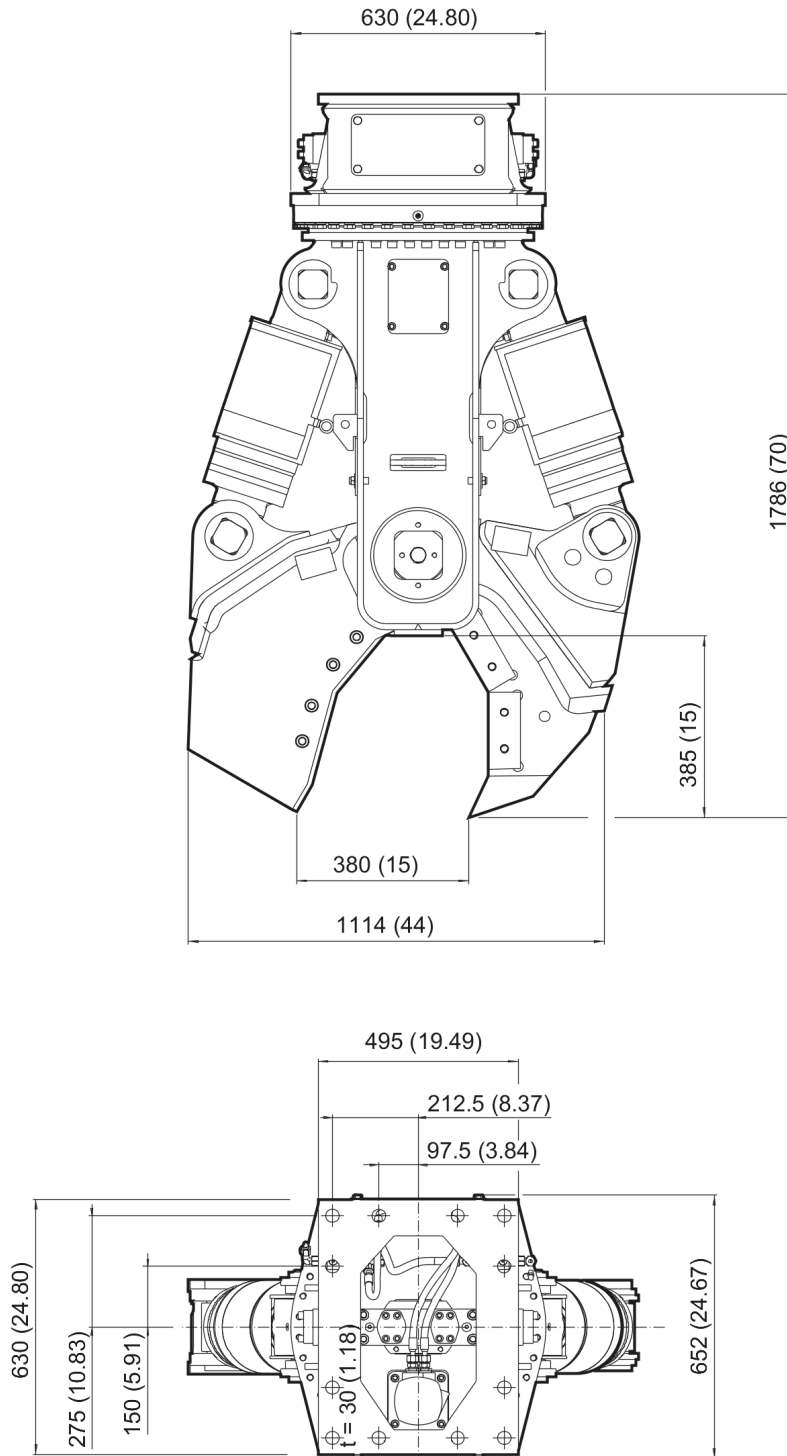


Refer to the DocMine web page for most up-to-date information. The printed information might be outdated.

Fri Nov 15 08:43:10 UTC 2024

This page intentionally left blank

Mechanical Dimensions CC 1600 S

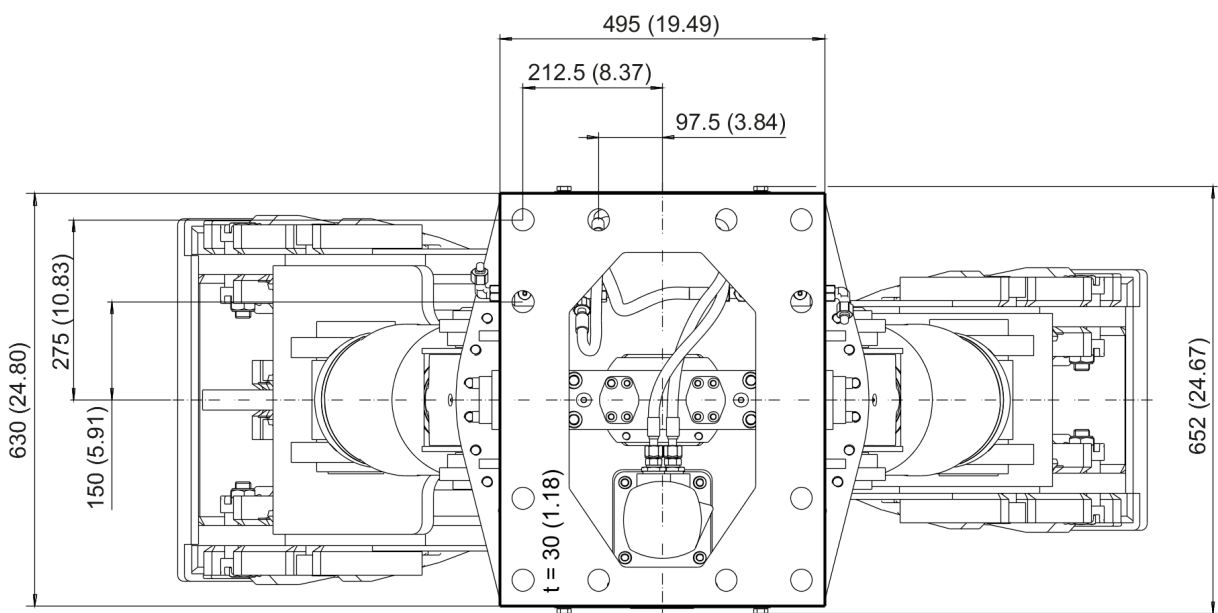
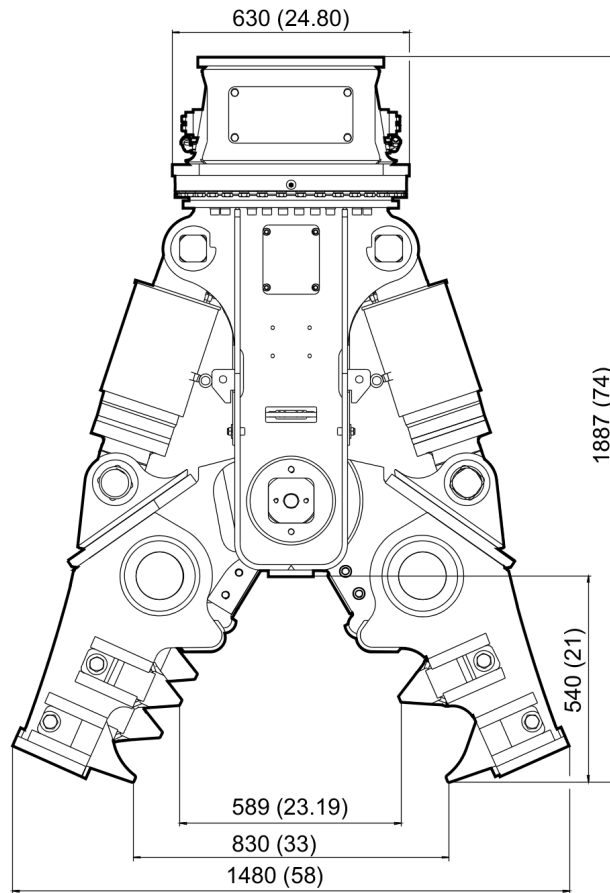


Refer to the DocMine web page for most up-to-date information. The printed information might be outdated.

Fri Nov 15 08:43:11 UTC 2024

This page intentionally left blank

Mechanical Dimensions CC 1600 P



Refer to the DocMine web page for most up-to-date information. The printed information might be outdated.

Fri Nov 15 08:43:11 UTC 2024

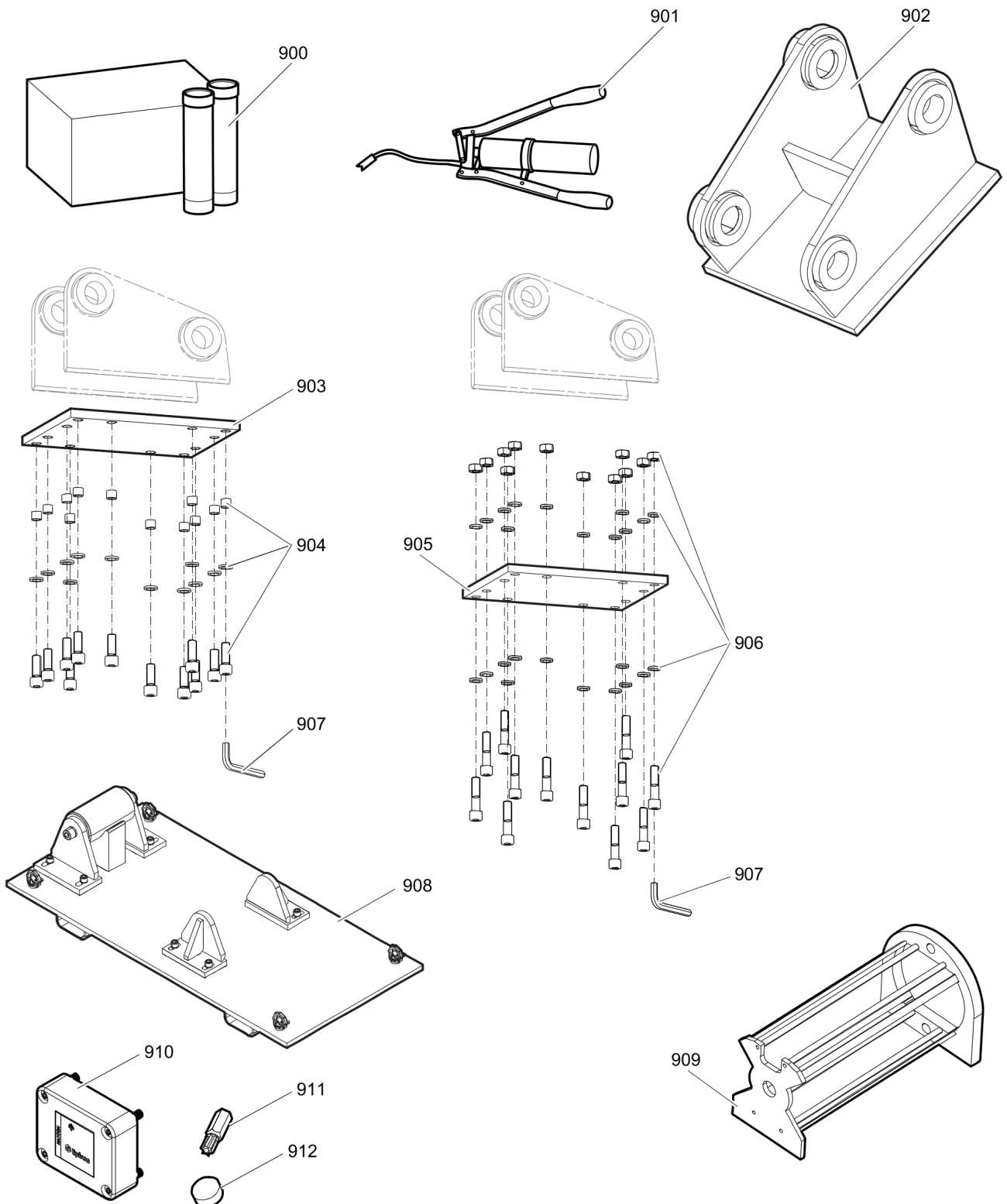
This page intentionally left blank

Options / accessories Hydraulic hoses

**NO EXPLODED VIEW
AVAILABLE
FOR THIS BOM**

Item	Part No.	Name	Qty	L
-	-	Open - Close		
-	3363124692	HYDRAULIC HOSE, I.D. 20 (3/4"), , flange SAE 90° - 6000 PSI / M36 x 2, conical seal 24°, length 2300 mm (91 in.)	2	
-	3363124693	HYDRAULIC HOSE, I.D. 20 (3/4"), , flange SAE 90° - 6000 PSI / M36 x 2, conical seal 24°, length 2800 mm (110 in.)	2	
-	-	Rotation		
-	3363031767	HYDRAULIC HOSE, I.D. 8 (3/8"), both ends M20 x 1.5 conical seal 24°, length 2800 mm (110 in.)	2	
-	3363034399	HYDRAULIC HOSE, I.D. 8 (3/8"), both ends M20 x 1.5 conical seal 24°, length 3500 mm (138 in.)	2	

Options / accessories Optional equipment



Refer to the DocMine web page for most up-to-date information. The printed information might be outdated.

Fri Nov 15 08:43:12 UTC 2024

Item	Part No.	Name	Qty	L
900	3363094914	CUTTER GREASE CARTRIDGE, 12 x 400 g (0.88 lbs)	1	
901	0909107100	LUBRICAT.GUN	1	
902		ADAPTER PLATE matching the carrier. Consult the authorized Customer Center/Dealer in your area.	1	
903	3363099799	BASE PLATE WITH THREADED INSERTS	1	
904	3363087306	BOLT KIT	1	
905	3363100697	BASE PLATE WITH THROUGH BORINGS	1	
906	3363094579	BOLT KIT	1	
907	3360209445	ALLEN KEY (22 mm)	1	
908		Assembly rack	1	A
909	3363094647	BOLT CAGE	1	B
910	3315442500	HATCON KIT 1 (3G)	1	C
910	3315442520	HATCON KIT 1 (LTE)	1	C
911	3315439105	SECURITY BIT HATCON	1	
912	3315439106	MAGNET HATCON	1	

Comments for Page: Optional equipment

(L)OCAL REMARKS

A | for cutter jaw set, consult the authorized Customer Center/Dealer in your area

B | for bolt item 8

C | with item 911 and 912

Hydraulic demolition cutters are factory equipped with threads for attaching Retrofit kit HATCON

from s/n DEQ219138 - (CC 1600 U)

will be announced at a later date - (CC 1600 S)

will be announced at a later date - (CC 1600 P)

Any unauthorized use or copying of the contents or any part thereof is prohibited.
This applies in particular to trademarks, model denominations, part numbers, and drawings.