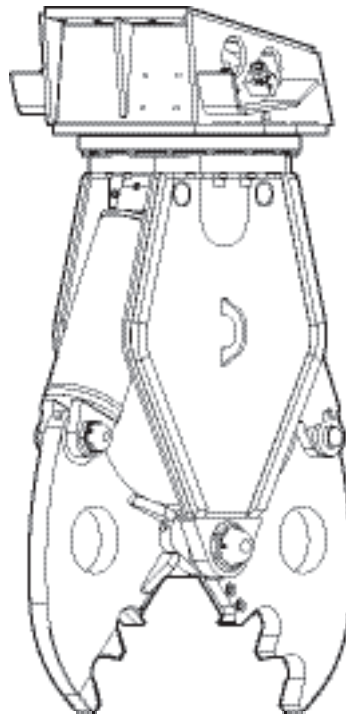


CB 950

Spare parts list

Hydraulic concrete buster

CB 950 s/n DEQ219118 - DEQ229254



General information

This spare parts list applies to the following:

Part number	Description
1826101776	Hydraulic concrete buster CB 950
3363124930	Hydraulic concrete buster CB 950 with HATCON 3G
3363126957	Hydraulic concrete buster CB 950 with HATCON LTE

Use only authorized parts. Any damage or malfunction caused by the use of unauthorized parts is not covered by Warranty or Product Liability. Any unauthorized use or copying of the contents or any part thereof is prohibited. This applies in particular to trademarks, model denominations, part numbers, and drawings.

Instructions for use

This spare parts list contains no safety regulations and is merely intended to assist in the ordering of spare parts.

For information about operating, servicing, or repairing, the relevant Safety and operating instructions must be consulted at all costs.

Please observe the safety instructions listed in the relevant Safety and operating instructions!

Instructions for ordering

It is essential to indicate the serial number of the hydraulic attachment when ordering spare parts!

Please note the full identification number of your hydraulic attachment.

Determine the quantity of individual parts which are required and need to be ordered. The order must indicate the following details:

- full identification code of the hydraulic attachment
- required quantity
- part number
- description

Service, repair and wear part kits

Kit list 1

Mechanical

Hydraulic concrete buster part 1 3
Hydraulic concrete buster part 2 7
HATCON 9
Tightening torques 11
Dimensions 14

Options / accessories

Hydraulic ports, hydraulic hoses 16
Optional equipment 19

Service, repair and wear part kits Kit list

NO EXPLODED VIEW
AVAILABLE
FOR THIS BOM

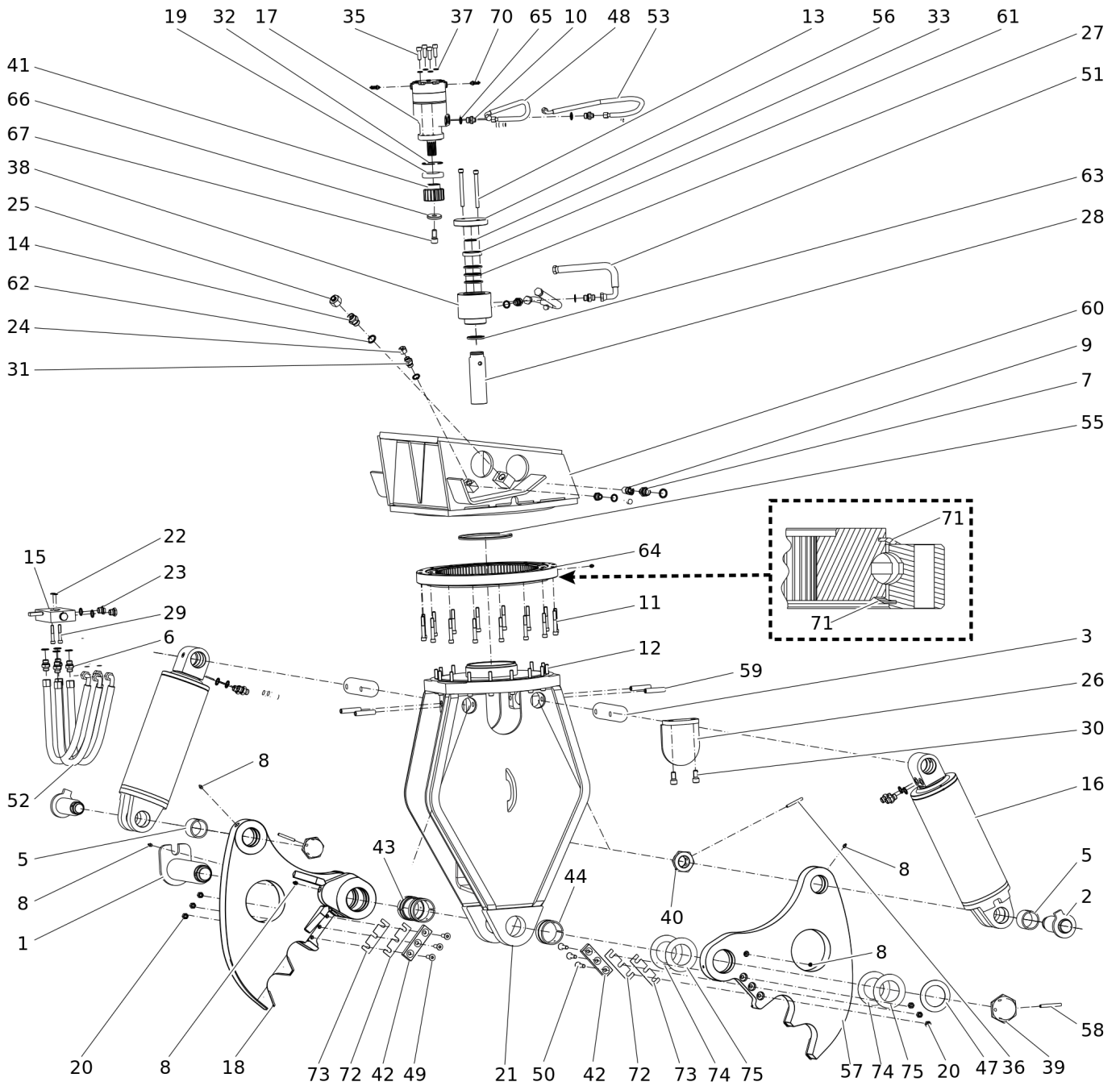
Item	Part No.	Name	Qty	L
KIT	3363125641	LABEL KIT	1	
KIT	3372100018	CUTTER BLADES KIT	1	
20	5730008013	HEXAGON NUT	6	
42	3376675036	CUTTER BLADE	2	
49	5730082558	HEX SOCK. SCREW	3	
50	0216110035	HEX SOCK. SCREW	3	
72	3376675072	SHIM	2	A
73	3363125335	SHIM	2	B
KIT	3363125925	SEAL KIT (Hydraulic cylinder)	1	
KIT	3376682182	SEAL KIT (Hydraulic motor)	1	

Comments for Page: Kit list

A | 0.2 mm (0.01 in.) thick, as required

B | 0.5 mm (0.02 in.) thick, as required

Mechanical Hydraulic concrete buster part 1



Item	Part No.	Name	Qty	L
1	3376675046	BOLT	1	
2	3376675049	BOLT	2	
3	3376675052	BOLT	2	
5	3376100848	BEARING BUSH	2	
6	3371805711	NIPPLE, 1/2 in. BSP	10	
7	3371803718	FITTING	2	
8	3360209834	GREASE NIPPLE	6	
9	0606000057	ADAPTER	2	
10	3376100872	FITTING	4	
11	3376100996	ALLEN SCREW	16	
12	3376100866	ALLEN SCREW	16	
13	3371818702	ALLEN SCREW	2	
14	3376100893	FITTING	2	
15	3376676040	CONNECTION BLOCK	1	
16	3363126004	HYDRAULIC CYLINDER	2	
17	3376100864	HYDRAULIC MOTOR	1	A
18	3363125991	CUTTER JAW	1	B
19	4700000115	BALL BEARING	1	
20	5730008013	HEXAGON NUT	6	
21	3363126003	HOUSING	1	
22	3361031925	O-RING	2	
23	3376100896	PLUG	4	
24	3376100873	PLUG	2	
25	3376100986	PLUG	2	
26	3363126002	COVER SHEET	2	
27	3376100865	SEAL	3	
28	3376682044	ROTOR	1	
29	0211136900	ALLEN SCREW M10 x 60 MM 12.9	2	
30	3360103766	ALLEN SCREW	4	
31	3376560020	FITTING	2	
32	3376100863	SNAP RING	1	
33	0335114500	CIRCLIP	1	
35	0211140200	CAP SCREW	4	
36	0108136600	SPRING PIN	2	
37	3361850596	PAIR OF LOCK WASHERS	4	
38	3376682045	STATOR	1	
39	3376675070	CAP NUT	1	

Refer to the DocMine web page for most up-to-date information. The printed information might be outdated.

Fri Feb 16 13:51:26 UTC 2024

Item	Part No.	Name	Qty	L
40	3376675071	CAP NUT	2	
41	3376682061	PINION	1	
42	3376675036	CUTTER BLADE	2	
43	3363125675	BEARING BUSH	2	
44	3363125674	BEARING BUSH	1	
47	3376675060	SPACER RING	1	
48	3376100869	HYDRAULIC HOSE	1	
49	5730082558	HEX SOCK. SCREW	3	
50	0216110035	HEX SOCK. SCREW	3	
51	3376100871	HYDRAULIC HOSE	2	
52	3376100900	HYDRAULIC HOSE	4	
53	3376100870	HYDRAULIC HOSE	1	
55	3376100935	V-RING	1	
56	3376682058	COVER	1	
57	3363125994	CUTTER JAW	1	C
58	3376100978	SPRING PIN	1	
59	3360206736	SPRING PIN 60 x 80 mm	4	
60	3363123857	UPPER PART	1	
61	3376100862	BEARING	1	
62	3371813705	SEAL	4	
63	3376100851	SEAL	1	
64	3376100876	LIVE RING	1	D
65	3371805714	U-SEAL RING 1/2 in.	20	
66	3363123263	WASHER	1	
67	3361031981	ALLEN SCREW	1	
70	3376683100	PRESSURE RELIEF VALVE	2	
71	3376682108	SEAL KIT (live ring)	1	E
72	3376675072	SHIM	2	F
73	3363125335	SHIM	2	G
74	3363127184	SPACER RING 0,3 mm	2	H
75	3363127185	SPACER RING 0,5 mm	2	H

Comments for Page: Hydraulic concrete buster part 1

A | with item 70

B | with item 5 (1x), 8 (3x), 20 (3x), 42 (1x), 43, 49, 72 (1x), 73 (1x)

C | with item 5 (1x), 8 (2x), 20 (3x), 42 (1x), 44, 50, 72 (1x), 73 (1x)

D | with item 71

E | The length of the seal correspondends with the upper and the lower seal. Please cut the seal yourself.

Refer to the DocMine web page for most up-to-date information. The printed information might be outdated.

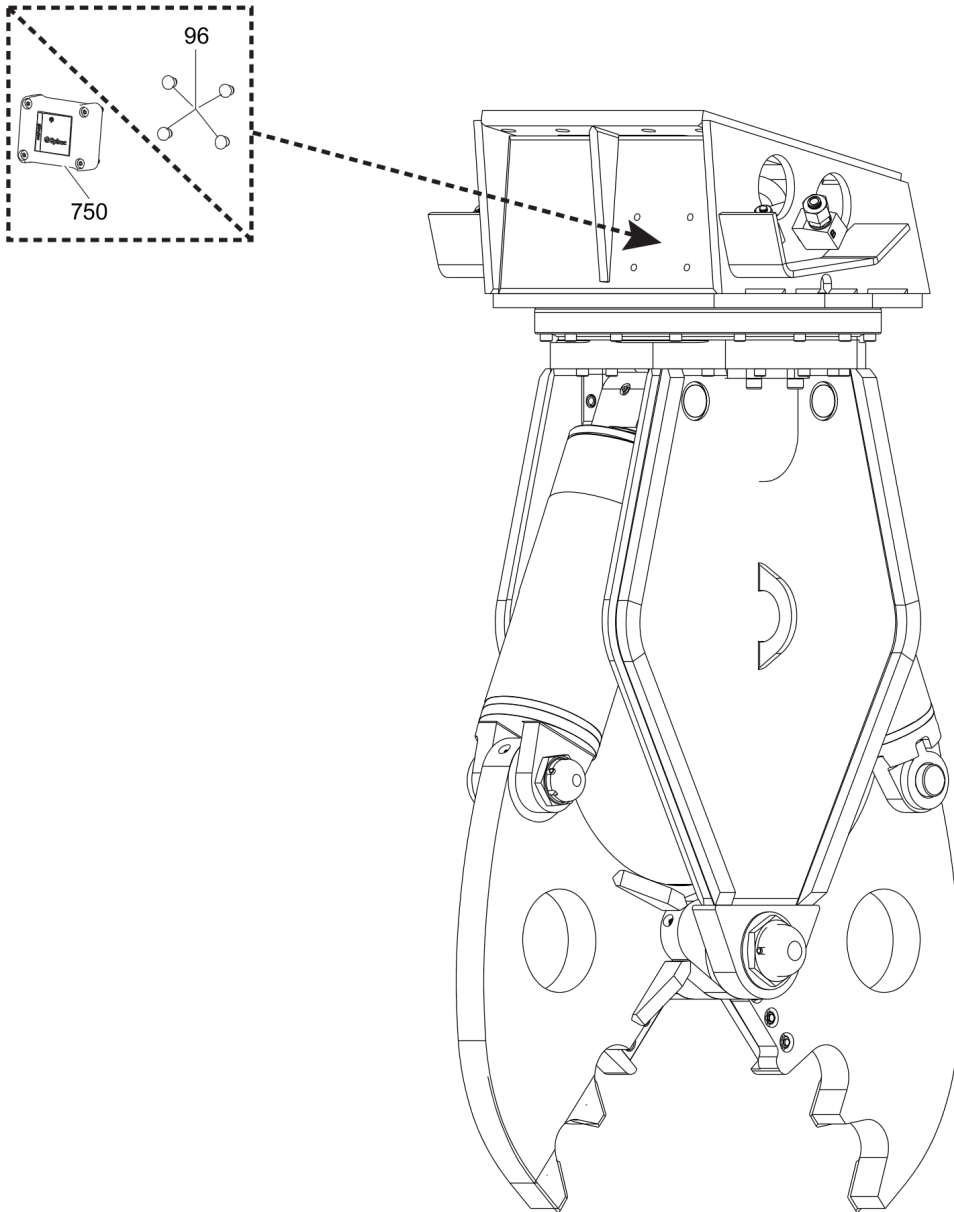
Fri Feb 16 13:51:28 UTC 2024

F | 0.2 mm (0.01 in.) thick, as required

G | 0.5 mm (0.02 in.) thick, as required

H | as required

Mechanical Hydraulic concrete buster part 2



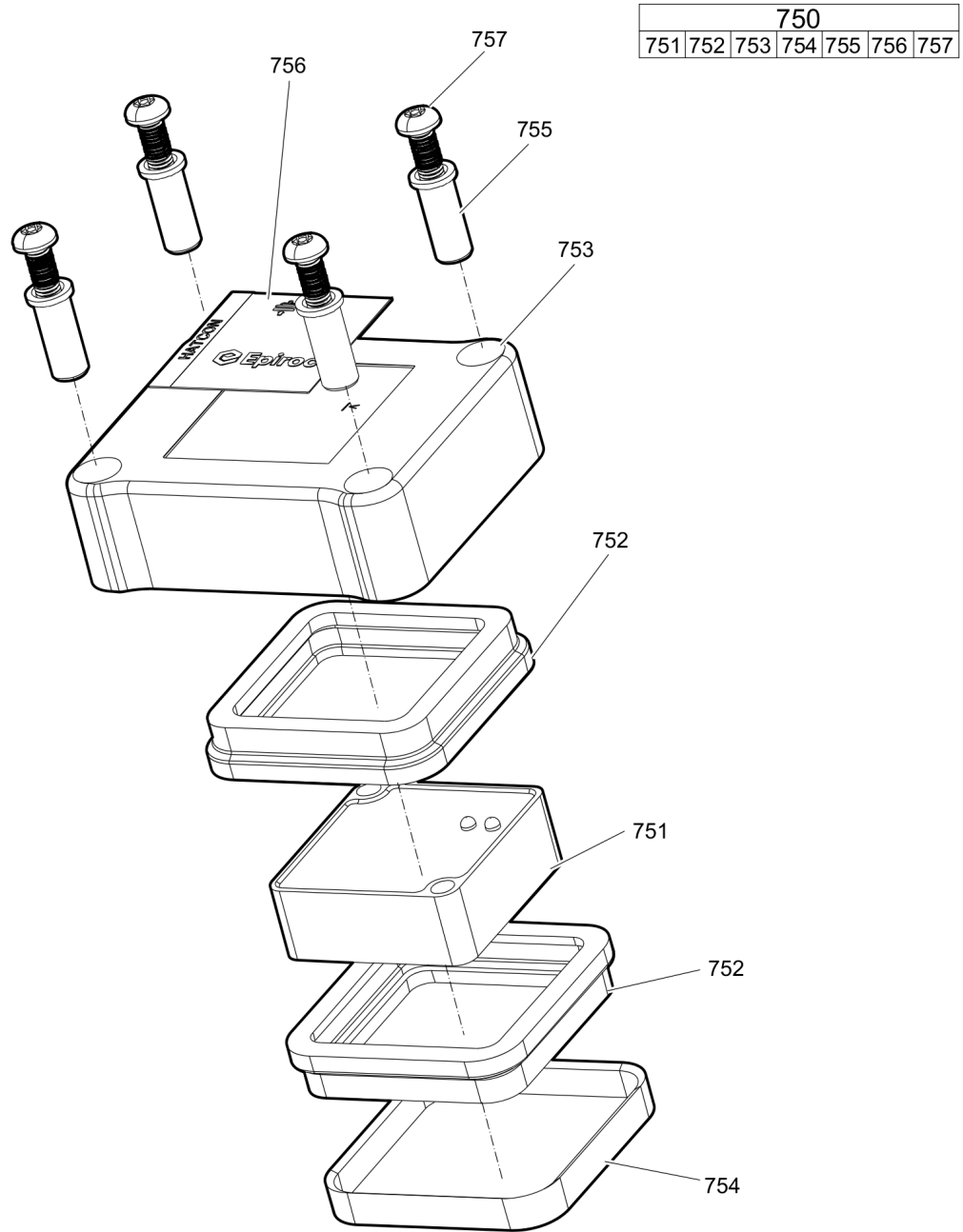
Item	Part No.	Name	Qty	L
96	3315439145	PROTECTIVE PLUG HATCON	4	A
750		HATCON	1	B

Comments for Page: Hydraulic concrete buster part 2

A | only for hydraulic concrete busters without HATCON

B | only for hydraulic concrete busters with HATCON / see separate chapter

Mechanical HATCON



Item	Part No.	Name	Qty	L
750(751-757)		HATCON	1	A
751		TRACKING MODULE HATCON	1	
752	3315439130	DAMPER HATCON	2	
753	3315439110	HOUSING TYPE 1 HATCON	1	
754	3315439140	LOCK RING HATCON	1	
755	3315439120	SLEEVE HATCON	4	
756	3315439100	PRODUCT LABEL HATCON	1	
757	3315442600	SCREW HATCON	4	

Comments for Page: HATCON

A | part number see chapter "Optional equipment"

Mechanical Tightening torques

NO EXPLODED VIEW
AVAILABLE
FOR THIS BOM

Item	Part No.	Name	Qty	L
6	-	FITTING - 130 Nm (96 ft lbf)	-	A
7	-	FITTING - 180 Nm (133 ft lbf)	-	B
8	-	GREASE NIPPLE - 30 Nm (22 ft lbf)	-	C
9	-	FITTING - 130 Nm (96 ft lbf)	-	D
10	-	FITTING - 130 Nm (96 ft lbf)	-	A
11	-	ALLEN SCREW - 120 Nm (89 ft lbf)	-	E
12	-	ALLEN SCREW - 120 Nm (89 ft lbf)	-	E
13	-	ALLEN SCREW - 120 Nm (89 ft lbf)	-	F
14	-	FITTING - 180 Nm (133 ft lbf)	-	G
20	-	HEXAGON NUT - 97 Nm (72 ft lbf)	-	H
23	-	PLUG - 130 Nm (96 ft lbf)	-	A
24	-	PLUG - 40 Nm (30 ft lbf)	-	I
25	-	PLUG - 50 Nm (37 ft lbf)	-	J
29	-	ALLEN SCREW - 70 + 7 Nm (52 + 5 ft lbf)	-	K
30	-	ALLEN SCREW - 315 Nm (232 ft lbf)	-	L
31	-	FITTING - 130 Nm (96 ft lbf)	-	A
35	-	ALLEN SCREW - 120 Nm (89 ft lbf)	-	F
39	-	CAP NUT - 50 Nm (37 ft lbf)	-	M
40	-	CAP NUT - 50 Nm (37 ft lbf)	-	N
48	-	HYDRAULIC HOSE - 70 Nm (52 ft lbf)	-	H
49	-	HEXAGON SOCKET COUNTERSUNK HEAD SCREW - 97 Nm (72 ft lbf)	-	F
50	-	HEXAGON SOCKET COUNTERSUNK HEAD SCREW - 97 Nm (72 ft lbf)	-	F
51	-	HYDRAULIC HOSE - 130 Nm (96 ft lbf)	-	O
52	-	HYDRAULIC HOSE - 130 Nm (96 ft lbf)	-	O
53	-	HYDRAULIC HOSE - 70 Nm (52 ft lbf)	-	H
67	-	ALLEN SCREW - 75 Nm (18 ft lbf)	-	P
757	-	SCREW HATCON - 22 Nm (16 ft lbf)	-	Q

Comments for Page: Tightening torques

- A | Wrench size 27, secure with Loctite 243
- B | Wrench size 32, secure with Loctite 243
- C | Wrench size 11
- D | Wrench size 27
- E | Allen key size 10, secure with Loctite 8150
- F | Allen key size 10, secure with Loctite 243
- G | Wrench size 32, secure with Loctite 243
- H | Wrench size 19
- I | Wrench size 24

Refer to the DocMine web page for most up-to-date information. The printed information might be outdated.

Fri Feb 16 13:51:32 UTC 2024

J | Wrench size 36

K | Allen key size 8, secure with Loctite 243

L | Allen key size 14, secure with Loctite 243

M | Wrench size 95

N | Wrench size 75

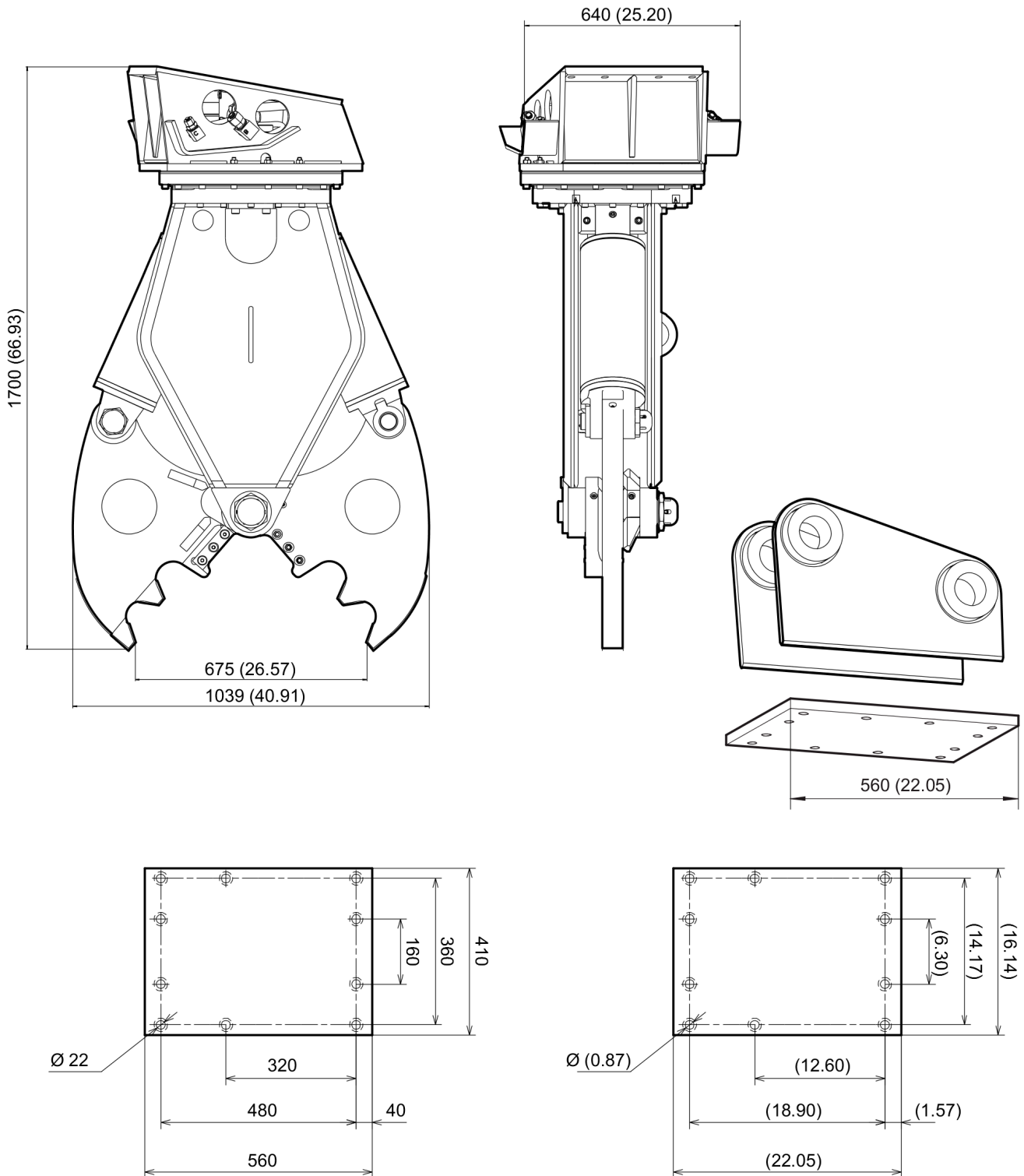
O | Wrench size 14

P | Allen key size 9/16", secure with Loctite 243

Q | Security bit HATCON

This page intentionally left blank

Mechanical Dimensions

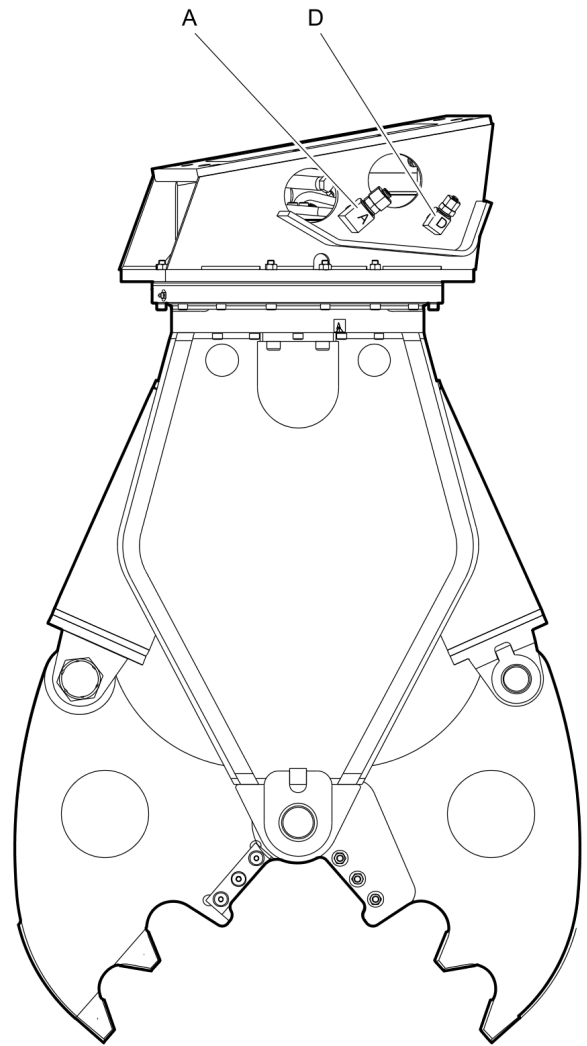
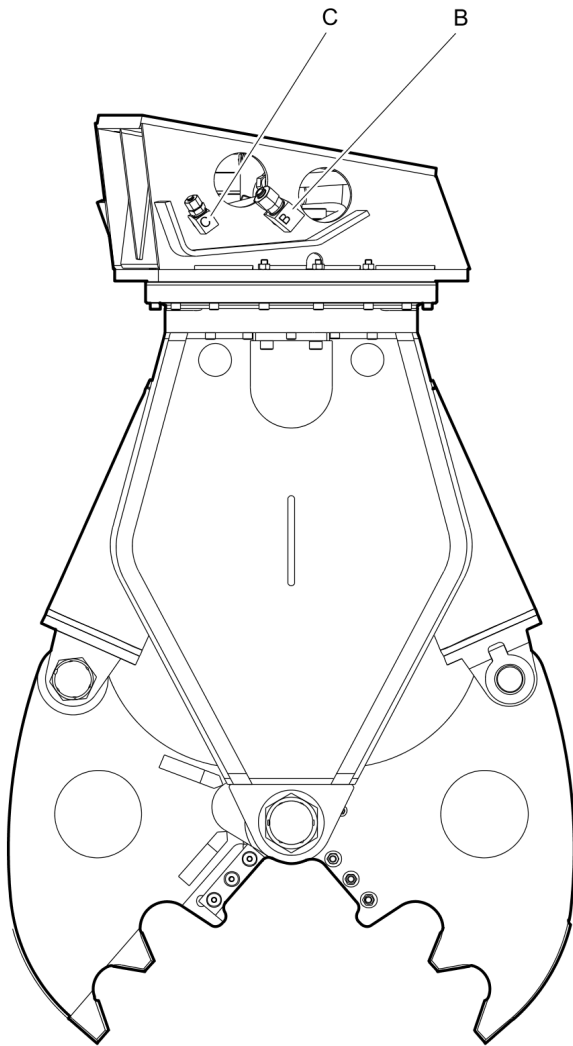


Refer to the DocMine web page for most up-to-date information. The printed information might be outdated.

Fri Feb 16 13:51:32 UTC 2024

This page intentionally left blank

Options / accessories Hydraulic ports, hydraulic hoses



Item	Part No.	Name	Qty	L
-	-	Open - Close		
-	3363106495	HYDRAULIC HOSE, I.D. 15 (0.59 in.) both ends M 30 x 2, conical seal 24°, length 2000 mm (78.4 in.)	2	
-	-	Rotation		
-	3363094540	HYDRAULIC HOSE, I.D. 10 (3/8 in.) both ends M20 x 1.5, conical seal 24°, length 2000 mm (78.4 in.)	2	

Comments for Page: Hydraulic ports, hydraulic hoses

Hydraulic ports

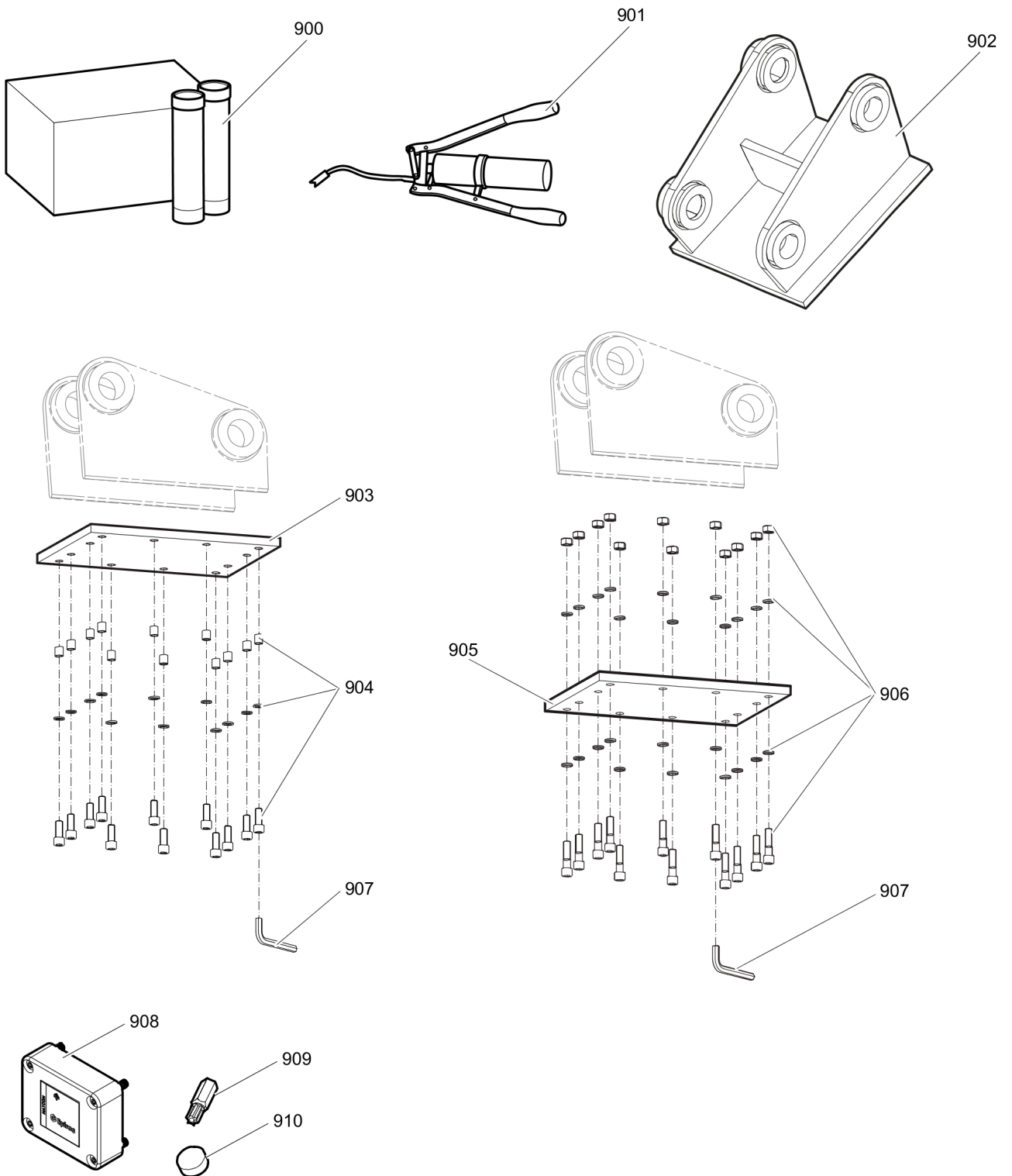
A | open

B | close

C | rotation counterclockwise

D | rotation clockwise

Options / accessories Optional equipment



Refer to the DocMine web page for most up-to-date information. The printed information might be outdated.
Fri Feb 16 13:51:34 UTC 2024

Item	Part No.	Name	Qty	L
900	3363094914	CUTTER GREASE CARTRIDGE, 12 x 400 g (0.88 lbs)	1	
901	0909107100	LUBRICAT.GUN	1	
902		ADAPTER PLATE matching the carrier. Consult the authorized Customer Center/Dealer in your area.	1	
903	3363099797	BASE PLATE WITH THREADED INSERTS	1	
904	3363094537	BOLT KIT	1	
905	3363100695	BASE PLATE WITH THROUGH BORINGS	1	
906	3363094574	BOLT KIT	1	
907	3360209253	ALLEN KEY (19 mm)	1	
908	3315442500	HATCON KIT 1 (3G)	1	A
908	3315442520	HATCON KIT 1 (LTE)	1	A
909	3315439105	SECURITY BIT HATCON	1	
910	3315439106	MAGNET HATCON	1	

Comments for Page: Optional equipment

A | with item 909 and 910

Concrete busters are factory equipped with threads for attaching Retrofit kit HATCON

from s/n DEQ219164 - (CB 750)

from s/n DEQ219119 - (CB 950)

Any unauthorized use or copying of the contents or any part thereof is prohibited.
This applies in particular to trademarks, model denominations, part numbers, and drawings.