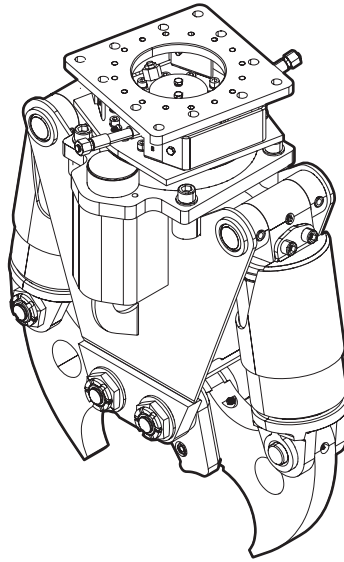


CB 350

Spare parts list Hydraulic concrete buster

CB 350 s/n DEQ179000 -



General information

This spare parts list applies to the following:

Part number	Description
1826101774	Hydraulic concrete buster CB 350
3363124928	Hydraulic concrete buster CB 350 with HATCON 3G
3363126955	Hydraulic concrete buster CB 350 with HATCON LTE

Use only authorized parts. Any damage or malfunction caused by the use of unauthorized parts is not covered by Warranty or Product Liability. Any unauthorized use or copying of the contents or any part thereof is prohibited. This applies in particular to trademarks, model denominations, part numbers, and drawings.

Instructions for use

This spare parts list contains no safety regulations and is merely intended to assist in the ordering of spare parts.

For information about operating, servicing, or repairing, the relevant Safety and operating instructions must be consulted at all costs.

Please observe the safety instructions listed in the relevant Safety and operating instructions!

Instructions for ordering

It is essential to indicate the serial number of the hydraulic attachment when ordering spare parts!

Please note the full identification number of your hydraulic attachment.

Determine the quantity of individual parts which are required and need to be ordered. The order must indicate the following details:

- full identification code of the hydraulic attachment
- required quantity
- part number
- description

Service, repair and wear part kits

Cutter blades kit1
Kit list 3

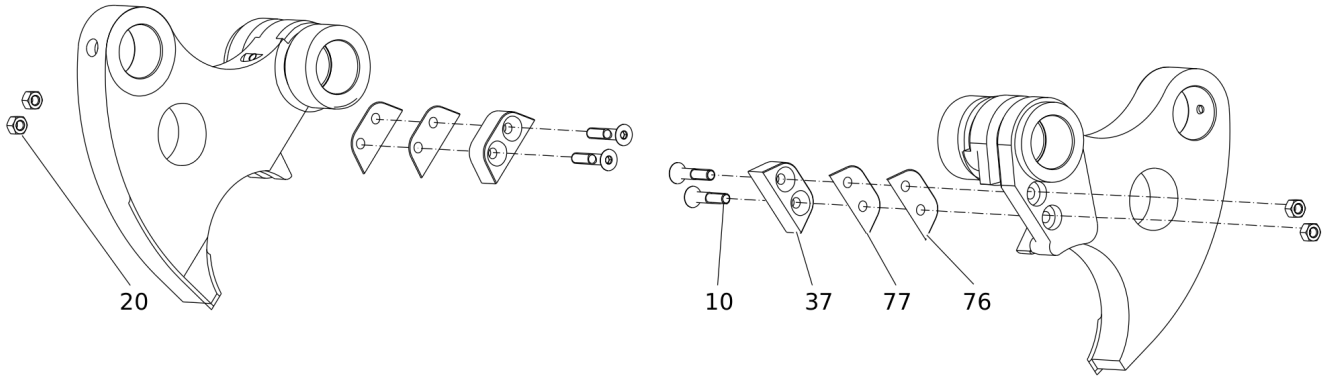
Mechanical

Hydraulic concrete buster part 1 5
Hydraulic concrete buster part 2 9
HATCON11
Tightening torques 13
Dimensions 16

Options / accessories

Hydraulic hoses 18
Optional equipment 21

Service, repair and wear part kits Cutter blades kit



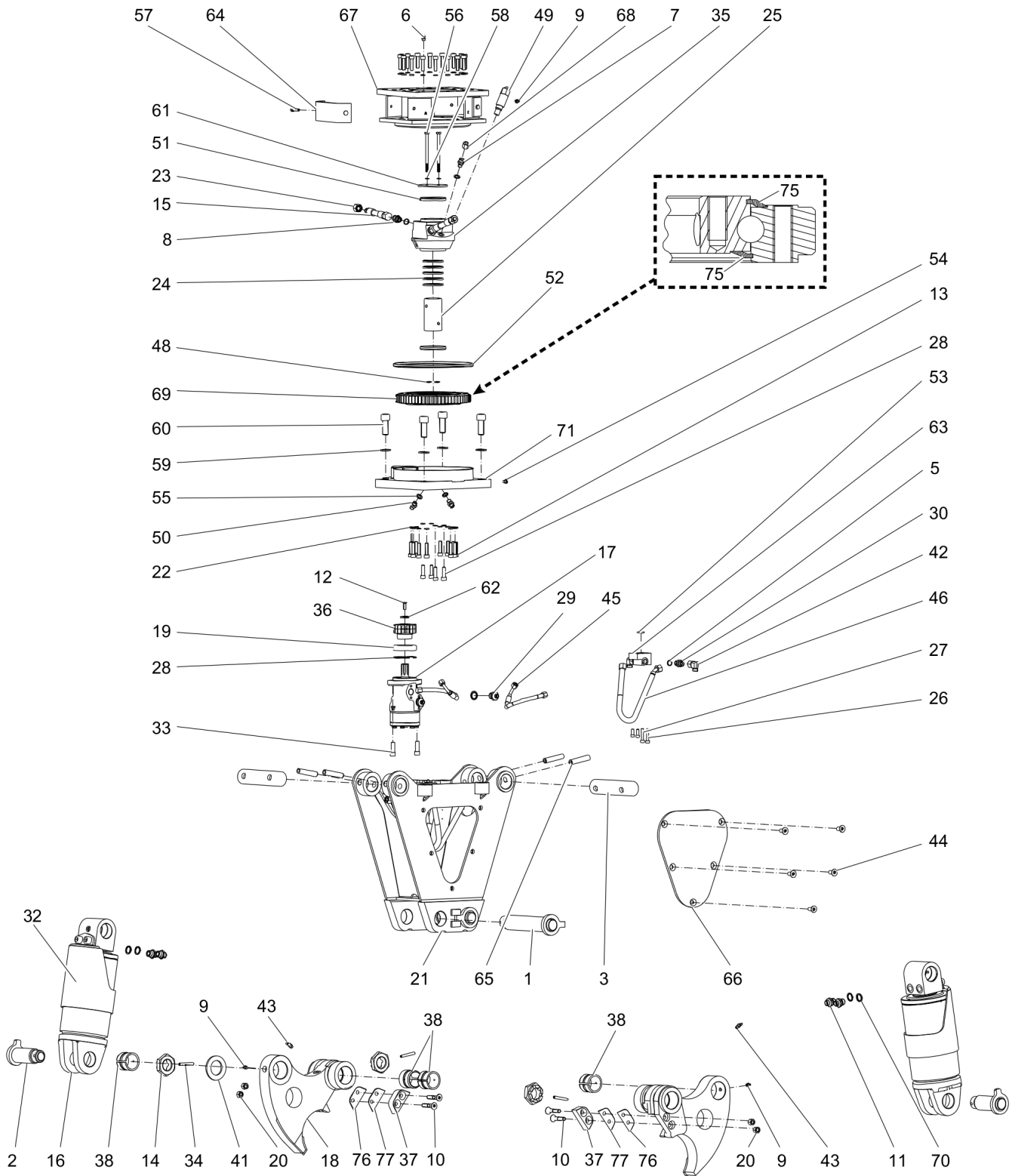
Item	Part No.	Name	Qty	L
KIT	3372100060	Cutter blades kit	1	
10	0216110035	HEX SOCK. SCREW	4	
20	5730008013	HEXAGON NUT	4	
37	3376674036	Cutter blade	2	
76	3376674072	Shim	2	
77	3363125238	Shim	2	

Service, repair and wear part kits Kit list

NO EXPLODED VIEW
AVAILABLE
FOR THIS BOM

Item	Part No.	Name	Qty	L
KIT	3372100064	Label kit	1	
KIT	3376674145	Seal kit (Hydraulic cylinder)	1	
KIT	3376678151	SEAL KIT (Hydraulic motor)	1	

Mechanical Hydraulic concrete buster part 1



Refer to the DocMine web page for most up-to-date information. The printed information might be outdated.
Tue Mar 19 11:05:36 UTC 2024

Item	Part No.	Name	Qty	L
1	3376674046	Bolt	2	
2	3376674049	Bolt	2	
3	3376674052	Bolt	2	
5	3377016375	SEAL-RING - Bounded seal - Oil outlet 3/8 USS	6	
6	3376100738	GREASE NIPPLE	1	
7	3376100921	FITTING	2	
8	3360478333	FITTING	2	
9	3360209834	GREASE NIPPLE	3	
10	0216110035	HEX SOCK. SCREW	4	
11	0580001588	PIPE COUPLING	4	
12	4700513013	COUNTERSUNK SCREW	1	
13	4700508045	ALLEN SCREW	28	
14	3376100855	CASTLE NUT	4	
15	3376100985	Hydraulic hose	2	
16	3363125996	Hydraulic cylinder	2	
17	3376100930	Hydraulic motor	1	
18	3363125989	Cutter jaw	2	A
19	4700000115	BALL BEARING	1	
20	5730008013	HEXAGON NUT	4	
21	3363125995	Housing	1	
22	3361850745	PAIR OF LOCK WASHERS	32	
23	3376100873	PLUG	2	
24	3376100865	SEAL	5	
25	3376681044	Rotor	1	
26	3372005028	ALLEN SCREW	4	
27	3371820721	ALLEN SCREW	4	
28	3363070895	ALLEN SCREW	4	
29	3376100923	FITTING	2	
30	0580001469	PIPE COUPLING	4	
31	3376100863	SNAP RING	1	
32	3363127065	PROTECTIVE SHEATH	2	
33	0211140200	CAP SCREW	2	
34	0108136500	SPRING PIN	4	
35	3376681045	Stator	1	
36	3376679061	PINION	1	
37	3376674036	Cutter blade	2	
38	3376100981	Bearing bush	6	

Refer to the DocMine web page for most up-to-date information. The printed information might be outdated.

Tue Mar 19 11:05:36 UTC 2024

Item	Part No.	Name	Qty	L
41	3376674059	Spacer ring	2	
42	3376100983	Fitting	4	
43	0544110024	GREASE NIPPLE	2	
44	0216195707	SCREW	5	
45	3376100984	Hydraulic hose	2	
46	3376100982	Hydraulic hose	4	
48	0663211801	O-RING	4	
49	3376100916	PRESSURE VALVE	1	
50	3376545201	FITTING	2	
51	3376100914	V-RING	2	
52	3376100956	SEAL	1	
53	3376100891	O-RING	2	
54	3371817740	PLUG	1	
55	3377016129	BOUNDED SEAL	4	
56	0147111067	HEXAGON HEAD SCREW	2	
57	0147132503	SCREW, HEX HEAD	4	
58	3315019504	LOCK WASHER	2	
59	0300027413	WASHER	4	
60	3363094902	ALLEN SCREW	4	
61	3376681058	Cover	1	
62	3376678081	WASHER	1	
63	3376674042	Connection block	2	
64	3376674183	Cover	2	
65	3360206736	SPRING PIN 60 x 80 mm	4	
66	3363125997	Cover	1	
67	3363125200	UPPER PART	1	
68	3376100922	PLUG	2	
69	3376100931	LIVE RING	1	B
70	3371805714	U-SEAL RING 1/2 in.	6	
71	3376679079	LIVE RING BASE	1	
75	3376678108	SEAL KIT (Live ring)	1	C
76	3376674072	Shim	2	D
77	3363125238	Shim	2	E

Comments for Page: Hydraulic concrete buster part 1

A | with item 9 (2x), 10, 20, 37, 38, 43, 76, 77

B | with item 75

C | The length of the seal corresponds with the upper and the lower seal. Please cut the seal yourself.

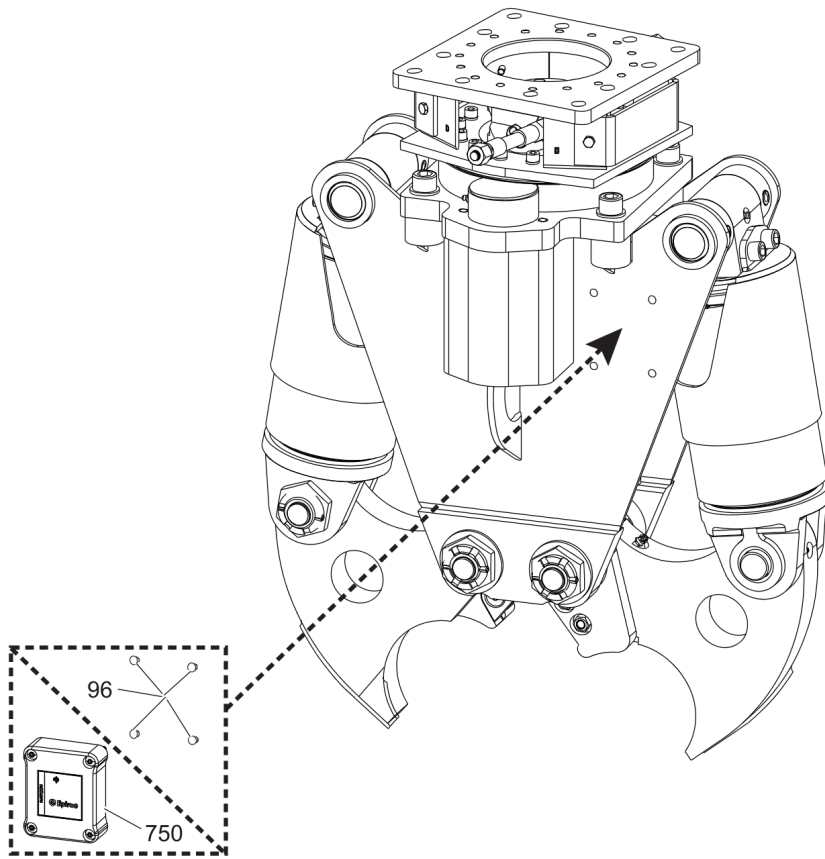
Refer to the DocMine web page for most up-to-date information. The printed information might be outdated.

Tue Mar 19 11:05:37 UTC 2024

D | 0.2 mm (0.01 in.) thick, as required

E | 0.5 mm (0.02 in.) thick, as required

Mechanical Hydraulic concrete buster part 2



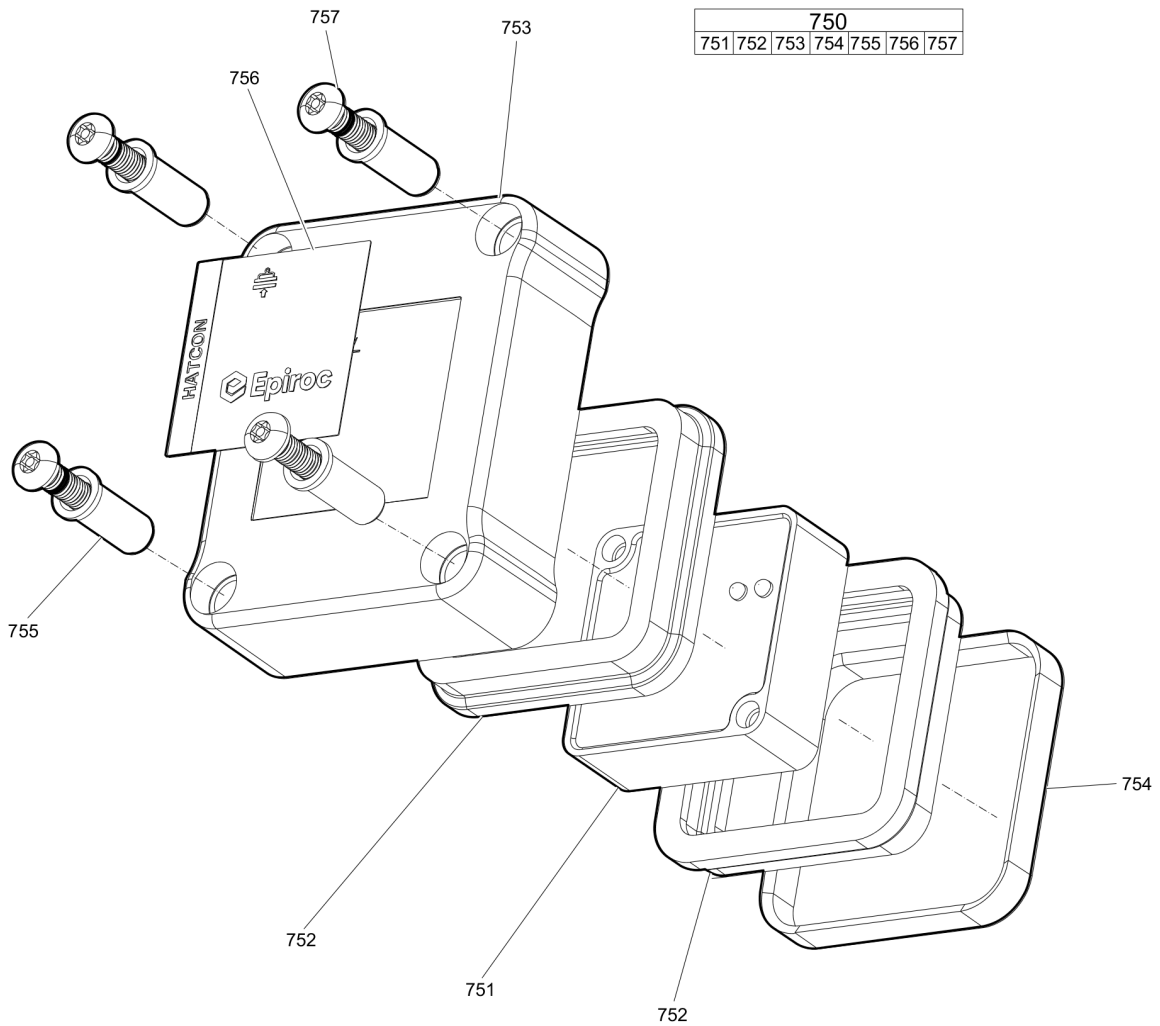
Item	Part No.	Name	Qty	L
96	3315439145	PROTECTIVE PLUG HATCON	4	A
750		HATCON	1	B

Comments for Page: Hydraulic concrete buster part 2

A | only for concrete busters without HATCON

B | only for concrete busters with HATCON / see separate chapter

Mechanical HATCON



Item	Part No.	Name	Qty	L
750(751-757)		HATCON	1	A
751		TRACKING MODULE HATCON	1	
752	3315439130	DAMPER HATCON	2	
753	3315439110	HOUSING TYPE 1 HATCON	1	
754	3315439140	LOCK RING HATCON	1	
755	3315439120	SLEEVE HATCON	4	
756	3315439100	PRODUCT LABEL HATCON	1	
757	3315442600	SCREW HATCON	4	

Comments for Page: HATCON

A | part number see chapter "Optional equipment"

Mechanical Tightening torques

NO EXPLODED VIEW
AVAILABLE
FOR THIS BOM

Item	Part No.	Name	Qty	L
6	-	GREASE NIPPLE - 30 Nm (22 ft lbf)	-	A
7	-	FITTING - 50 Nm (37 ft lbf)	-	B
8	-	FITTING - 130 Nm (96 ft lbf)	-	C
9	-	Lubricant nipple - 30 Nm (22 ft lbf)	-	A
10	-	Hexagon socket screw M12 x 60 mm 10.9 - 97 Nm (72 ft lbf)	-	D
11	-	Fitting G1/2"A, M18 x 1.5, 12L, 24° cone - 130 Nm (96 ft lbf)	-	E
12	-	Screw - 30 Nm (22 ft lbf)	-	F
13	-	Screw - 70 Nm (52 ft lbf)	-	D
14	-	Hexagonal nut - 50 Nm (37 ft lbf)	-	G
15	-	Hydraulic hose - 140 Nm (103 ft lbf)	-	H
20	-	HEXAGON NUT - 97 Nm (72 ft lbf)	-	B
23	-	PLUG - 40 Nm (30 ft lbf)	-	H
26	-	Screw - 30 Nm (22 ft lbf)	-	F
27	-	Screw - 35 Nm (26 ft lbf)	-	F
28	-	Allen screw - 70 Nm (52 ft lbf)	-	D
29	-	FITTING - 130 Nm (96 ft lbf)	-	E
30	-	Fitting G3/8"A, M18 x 1.5, 12L, 24° cone - 80 Nm (59 ft lbf)	-	I
33	-	Allen screw, M12 x 35 mm 12.9 - 120 Nm (89 ft lbf)	-	J
42	-	Fitting - 30 Nm (22 ft lbf)	-	I
43	-	Grease nipple M10 x 1 mm - 30 Nm (22 ft lbf)	-	A
44	-	Allen screw, M12 x 25 mm 12.9 - 97 Nm (72 ft lbf)	-	D
45	-	Hydraulic hose - 50 Nm (37 ft lbf)	-	K
46	-	Hydraulic hose - 80 Nm (59 ft lbf)	-	L
50	-	FITTING - 50 Nm (37 ft lbf)	-	M
54	-	Plug - 30 Nm (22 ft lbf)	-	N
56	-	Hexagon head screw, M8 x 130 mm 10.9 - 30 Nm (22 ft lbf)	-	O
57	-	Hex Head screw M8 x 25 - 20 Nm (15 ft lbf)	-	O
60	-	Allen screw, M20 x 50 mm 12.9 - 600 Nm (443 ft lbf)	-	P
68	-	Plug - 60 Nm (44 ft lbf)	-	M
757	-	SCREW HATCON - 22 Nm (16 ft lbf)	-	Q

Comments for Page: Tightening torques

A | Wrench size 11

B | Wrench size 19, secure with Loctite 243

C | Wrench size 22, secure with Loctite 243

D | Allen key size 8, secure with Loctite 243

E | Wrench size 27, secure with Loctite 243

F | Allen key size 6, secure with Loctite 243

Refer to the DocMine web page for most up-to-date information. The printed information might be outdated.

Tue Mar 19 11:05:40 UTC 2024

G | Wrench size 65

H | Wrench size 24

I | Wrench size 22, secure with Loctite 243

J | Allen key size 10, secure with Loctite 243

K | Wrench size 17

L | Wrench size 22

M | Wrench size 19, secure with Loctite 243

N | Wrench size 5, secure with Loctite 243

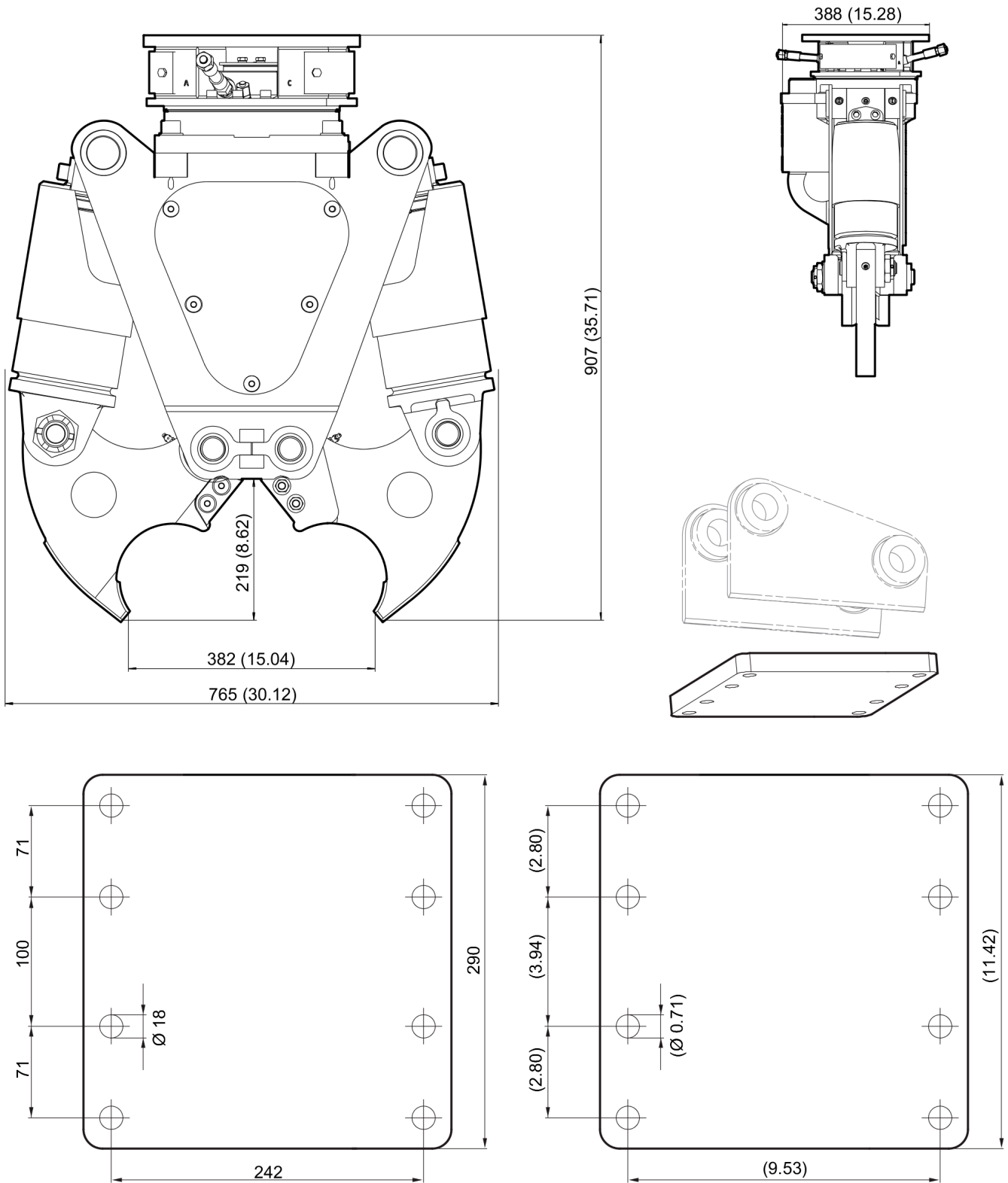
O | Wrench size 13, secure with Loctite 243

P | Allen key size 17, secure with Loctite 243

Q | Security bit HATCON

This page intentionally left blank

Mechanical Dimensions



Refer to the DocMine web page for most up-to-date information. The printed information might be outdated.
Tue Mar 19 11:05:41 UTC 2024

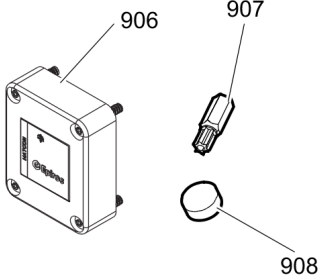
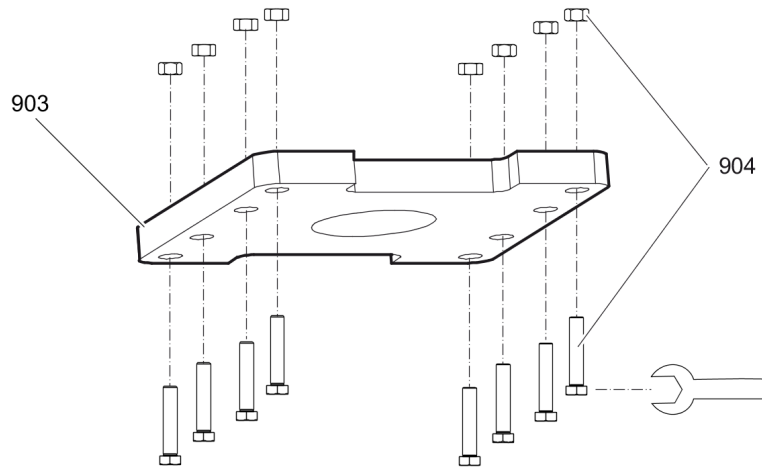
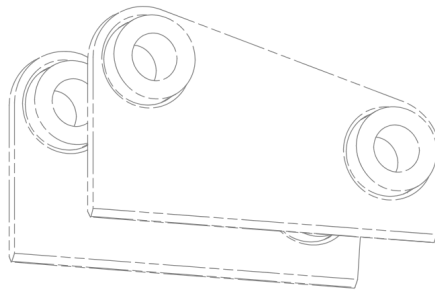
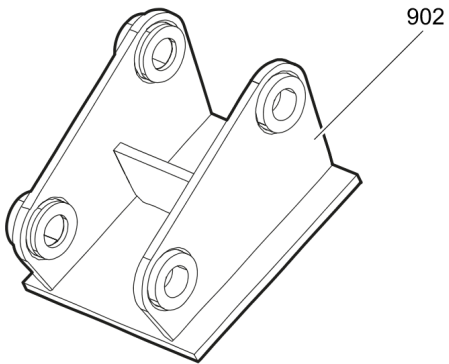
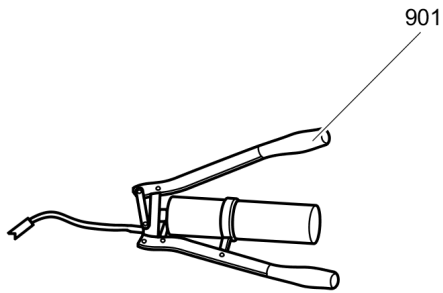
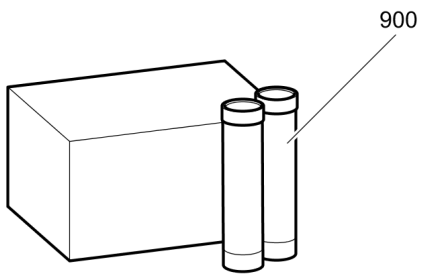
This page intentionally left blank

Options / accessories Hydraulic hoses

NO EXPLODED VIEW
AVAILABLE
FOR THIS BOM

Item	Part No.	Name	Qty	L
-	-	Open - Close		
-	3363094540	HYDRAULIC HOSE, I.D. 10 (3/8 in.) both ends M20 x 1.5, conical seal 24°, length 2000 mm (78.4 in.)	2	
-	-	Rotation		
-	3363094541	HYDRAULIC HOSE, I.D. 8 both ends M16 x 1.5, conical seal 24°, length 2000 mm (78.74 in.)	2	

Options / accessories Optional equipment



Item	Part No.	Name	Qty	L
900	3363094914	CUTTER GREASE CARTRIDGE, 12 x 400 g (0.88 lbs)	1	
901	0909107100	LUBRICAT.GUN	1	
902		ADAPTER PLATE matching the carrier. Consult the authorized Customer Center/Dealer in your area.	1	
902	3315304300	BASE PLATE with through borings	1	
904	3315296490	BOLT KIT	1	
905	3360430655	OPEN END SPANNER (24/27 mm)	1	
906	3315442500	HATCON KIT 1 (3G)	1	A
906	3315442520	HATCON KIT 1 (LTE)	1	A
907	3315439105	SECURITY BIT HATCON	1	
908	3315439106	MAGNET HATCON	1	

Comments for Page: Optional equipment

A | with item 907 and 908

Concrete busters are factory equipped with threads for attaching Retrofit kit HATCON from s/n DEQ219158 - (CB 350)

Any unauthorized use or copying of the contents or any part thereof is prohibited.
This applies in particular to trademarks, model denominations, part numbers, and drawings.