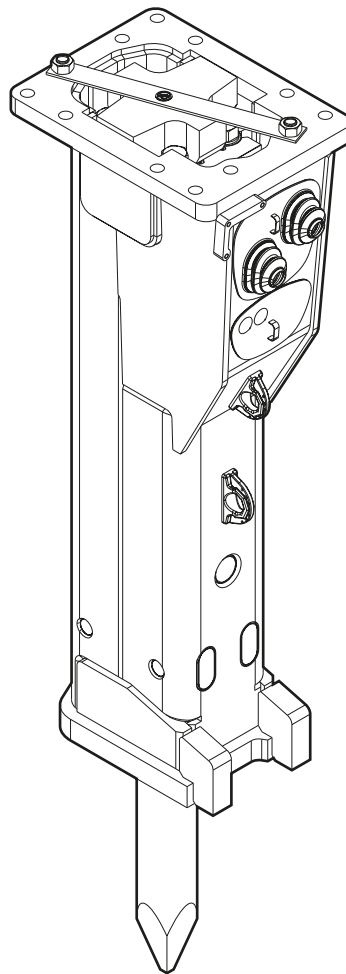


EC 140T

Spare parts list Hydraulic breakers

EC 140T s/n DEQ140860 - DEQ151748



General information

This spare parts list applies to the following:

Part number	Description
3363115610	Hydraulic breaker EC 140T

Use only authorized parts. Any damage or malfunction caused by the use of unauthorized parts is not covered by Warranty or Product Liability. Any unauthorized use or copying of the contents or any part thereof is prohibited. This applies in particular to trademarks, model denominations, part numbers, and drawings.

Instructions for use

This spare parts list contains no safety regulations and is merely intended to assist in the ordering of spare parts.

For information about operating, servicing, or repairing, the relevant Safety and operating instructions must be consulted at all costs.

Please observe the safety instructions listed in the relevant Safety and operating instructions!

Instructions for ordering

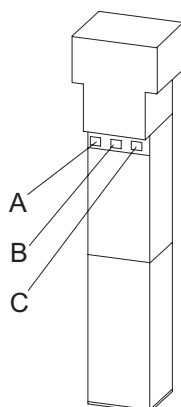
It is essential to indicate the serial number of the hydraulic attachment when ordering spare parts!

Please note the full identification number of your hydraulic attachment.

The code can be found on the cylinder.

Determine the quantity of individual parts which are required and need to be ordered. The order must indicate the following details:

- full identification code of the hydraulic attachment
- required quantity
- part number
- description



- A. Cylinder number
- B. Type
- C. Serial number

Contents

Service, repair and wear part kits

Label kit 1
Kit list 3

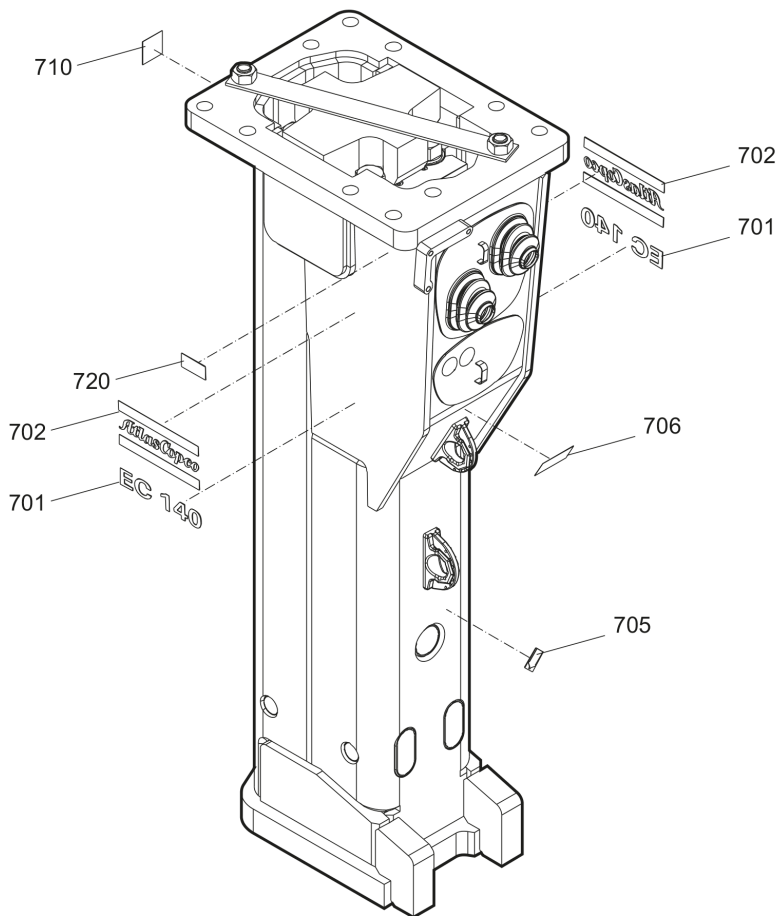
Mechanical

Hydraulic breaker 5
Percussion unit part 1: cylinder cover 7
Percussion unit part 2: cylinder 10
Percussion unit part 3: lower breaker part 13
Tightening torques 15
Dimensions 17

Options / accessories

Hydraulic hoses 18
Optional equipment 21
Working tools 23

Service, repair and wear part kits Label kit



700				
701	702	705	706	710

Item	Part No.	Name	Qty	L
700(701-710)	3363117052	Label kit EC 140T	1	
.701		Product label "EC 140T"	2	
.702		Product label "Atlas Copco"	2	
.705		Lubricating symbol	1	
.706		Label gas pressure	1	
.710		Sound power label	1	
720		Name plate - Consult the Atlas Copco Customer Center/Dealer in your area.	1	

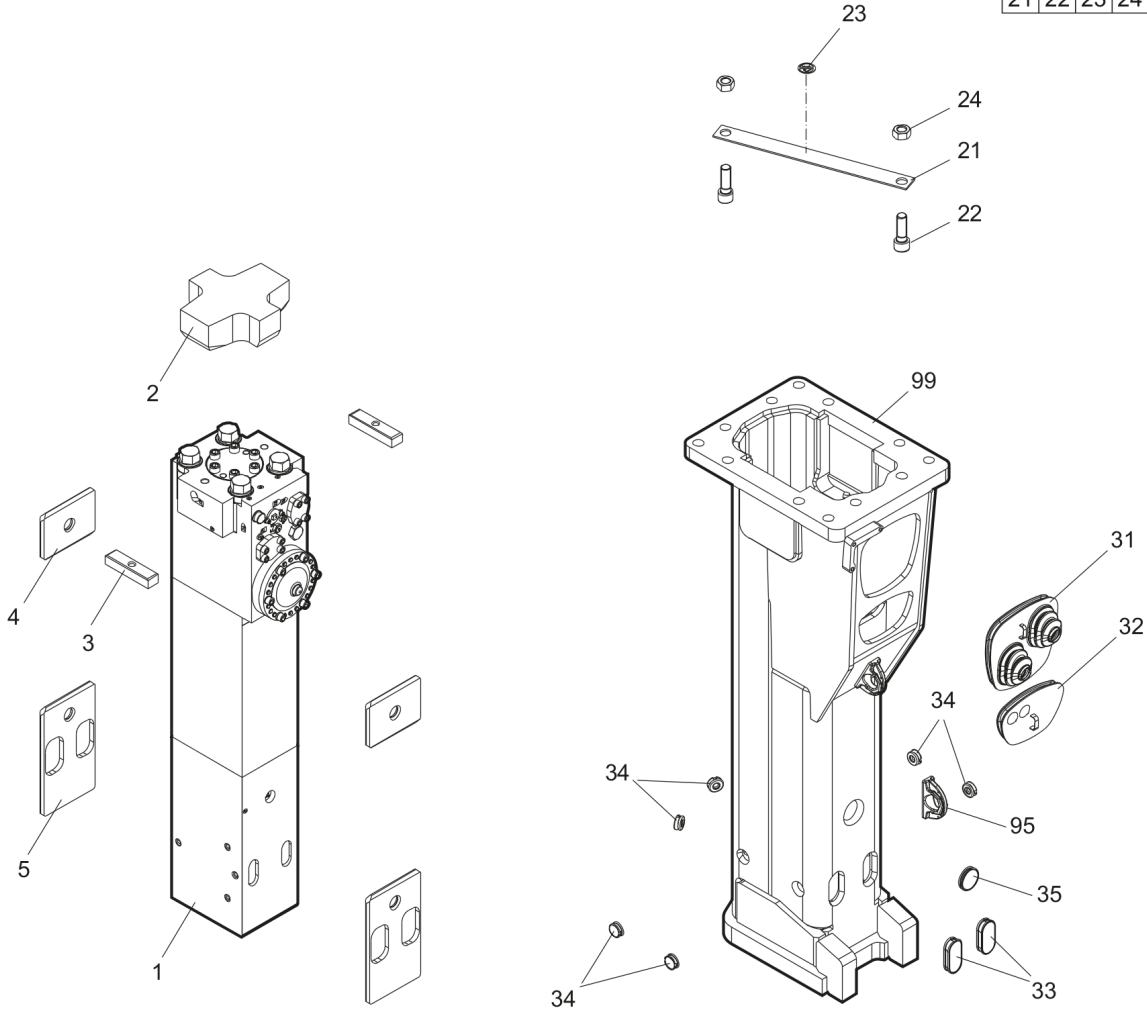
Service, repair and wear part kits Kit list

NO EXPLODED VIEW
AVAILABLE
FOR THIS BOM

Item	Part No.	Name	Qty	L
KIT	3363112932	Seal kit	1	
.103	3360314375	O-ring	1	
.132	3360314372	O-ring	2	
.182	3360478426	Threaded plug	1	
.183	3360175125	O-ring	1	
.164	3361031912	O-ring	1	
.165	3361850529	Back-up ring	1	
.166	3361031990	O-ring	1	
.194	3363112659	O-ring	1	
.195	3360314656	O-ring	1	
.201	3363031872	Seal	1	
.204	3360479721	O-ring	1	
.203	3363031973	Seal	1	
.204	3363114621	Seal	1	
.301	3362328126	O-ring	1	
.304	3363083668	Wiper	1	
.305	3362267584	Seal	5	
.306	3362267589	Seal	4	
.391		Seal	1	
.392		Back-up ring	1	
-	3360478098	O-ring	1	
KIT	3363098088	Fastening screw kit	1	
.161	3363070490	Fastening screw	6	
.163	3361333703	Lock washer	6	
.172	3361031989	Threaded insert	6	
KIT	3363089849	Accumulator repair kit	1	
-	3362261647	Diaphragm	1	
-	3360332259	Filling screw	1	
-	3360314460	O-ring	1	
-	3361335025	Protective cap	1	
-	3361031912	O-ring	1	
-	3361850529	Back-up ring	1	

Mechanical Hydraulic breaker

20			
21	22	23	24



Item	Part No.	Name	Qty	L
1		Percussion unit	1	A
2	3363105171	Elastic pad	1	
3	3363105173	Shock absorber	2	
4	3363115969	Guide plate	2	
5	3363115970	Guide plate	2	
20(21-24)	3363083416	Transport safety device complete	1	
.21		Transport safety device	1	
.22	3360026883	Allen screw	2	
.23	3363091872	Label transport safety device	1	
.24	3360103254	Nut	2	
31	3363033551	Cover	1	
32	3363116113	Cover	1	
33	3363086011	Plug	2	
34	3363086015	Plug	6	
35	3362267893	Plug	1	
95	3363111994	Lifting eye	2	B
99	3363116108	Breaker box	1	C

Comments for Page: Hydraulic breaker

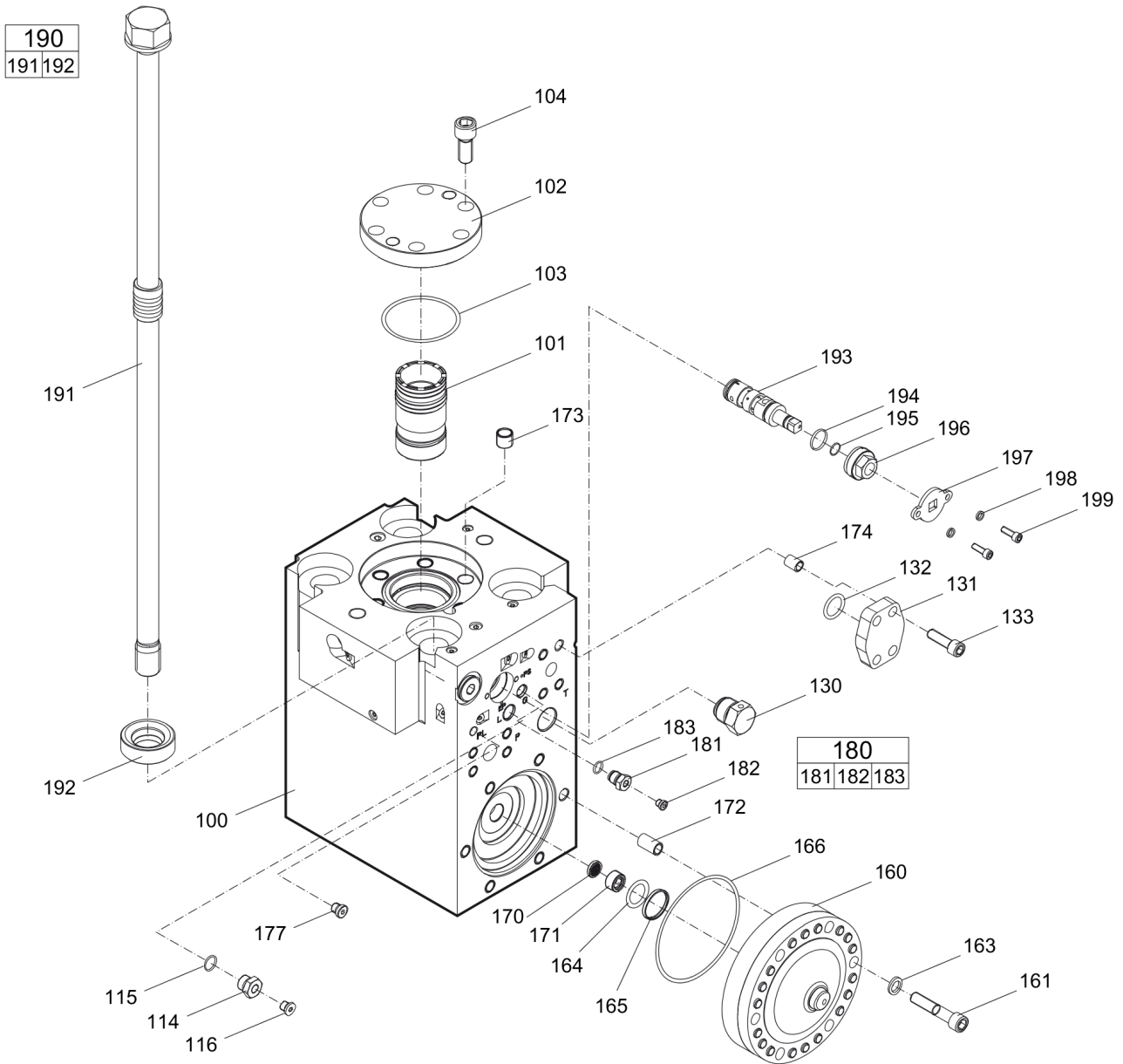
(L)OCAL REMARKS

A | see separate chapter

B | professional welding process necessary

C | with item 95

Mechanical Percussion unit part 1: cylinder cover



Refer to Parts Online for the most up to date information. The printed information might be outdated.

Thu Mar 26 04:21:09 MDT 2015

Item	Part No.	Name	Qty	L
100	3363112635	Cylinder cover	1	
101	3363105561	Main control valve	1	
102	3361331555	Cover	1	
103	3360314375	O-ring	1	
104	3360103776	Allen screw	6	
114	3361854657	Connecting screw	1	
115	3360478171	O-ring	1	
116	3360478439	Threaded plug	1	
130	3361854511	Non-return valve	1	
131	3363034041	Blind flange	2	
132	3360314372	O-ring	2	
133	3363034274	Allen screw	8	
160	3363069585	HP-accumulator	1	
161	3363070490	Fastening screw	6	
163	3361333703	Lock washer	6	
164	3361031912	O-ring	1	
165	3361850529	Back-up ring	1	
166	3361031990	O-ring	1	
170	3361844113	Strainer disk	1	
171	3361844115	Threaded plug	1	
172	3361031989	Threaded insert	6	
173	3361031529	Threaded insert	6	
174	3361031946	Threaded insert	8	
177	3363066963	Plug, M14 x 1.5 mm	1	
180(181-183)	3363087286	Filling valve complete	1	
.181		Filling valve	1	
.182	3360478426	Threaded plug	1	
.183	3360175125	O-ring	1	
190(191-192)	3363112935	Tensioning bolt complete	4	
.191		Tensioning bolt	1	
.192	3363097773	Washer	1	
193	3363113244	Valve	1	
194	3363112659	O-ring	1	
195	3360314656	O-ring	1	
196	3363113246	Threaded plug	1	
197	3363113243	Plate	1	
198	3361850743	Pair of lock washers	2	

Refer to Parts Online for the most up to date information. The printed information might be outdated.

Thu Mar 26 04:21:10 MDT 2015

Item	Part No.	Name	Qty	L
199	3360103735	Allen screw	2	

Comments for Page: Percussion unit part 1: cylinder cover

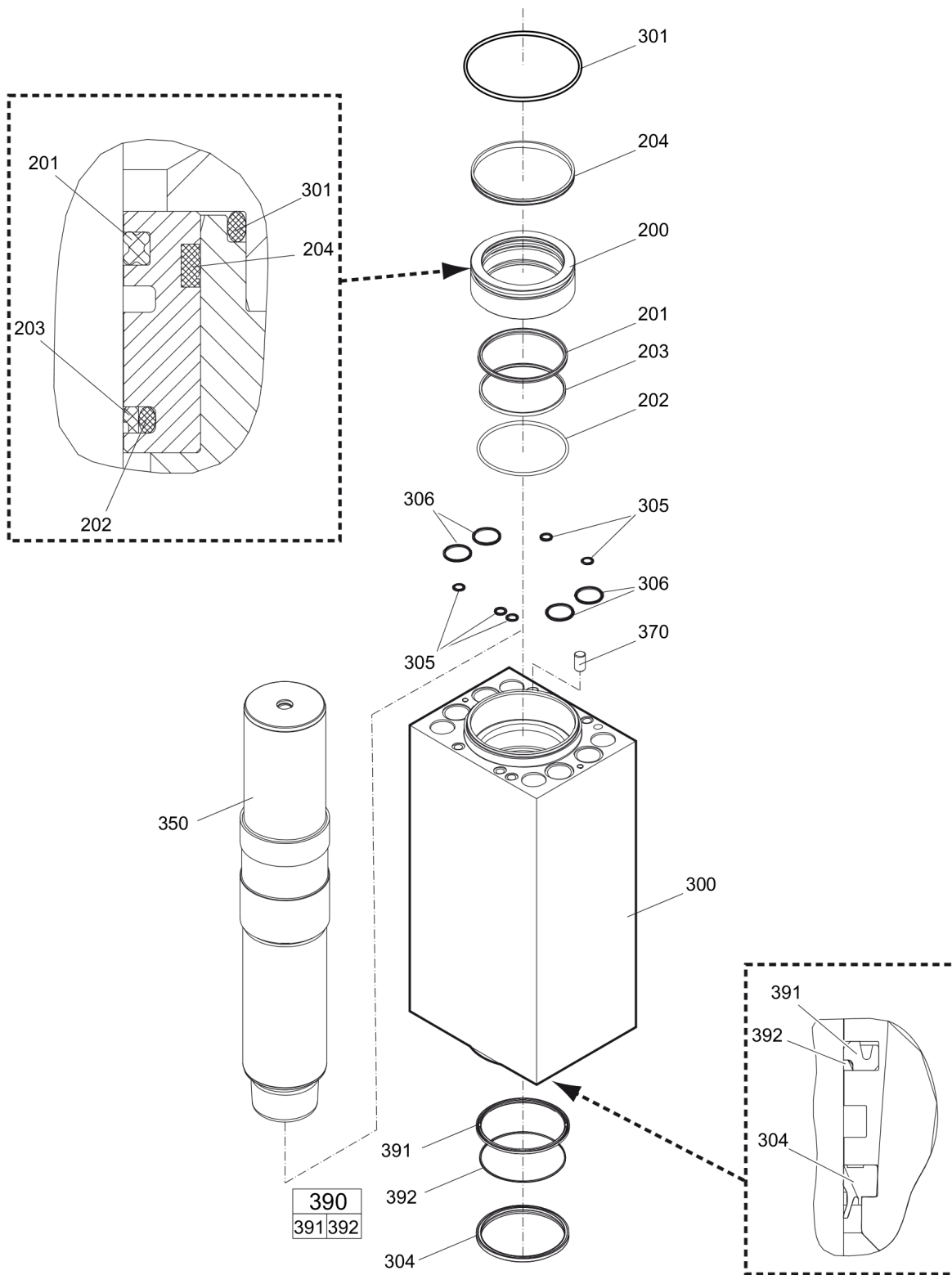
(L)OCAL REMARKS

A | with item 114 and 170 - 177

B | Stroke control

Mechanical Percussion unit part 2: cylinder

This page intentionally left blank

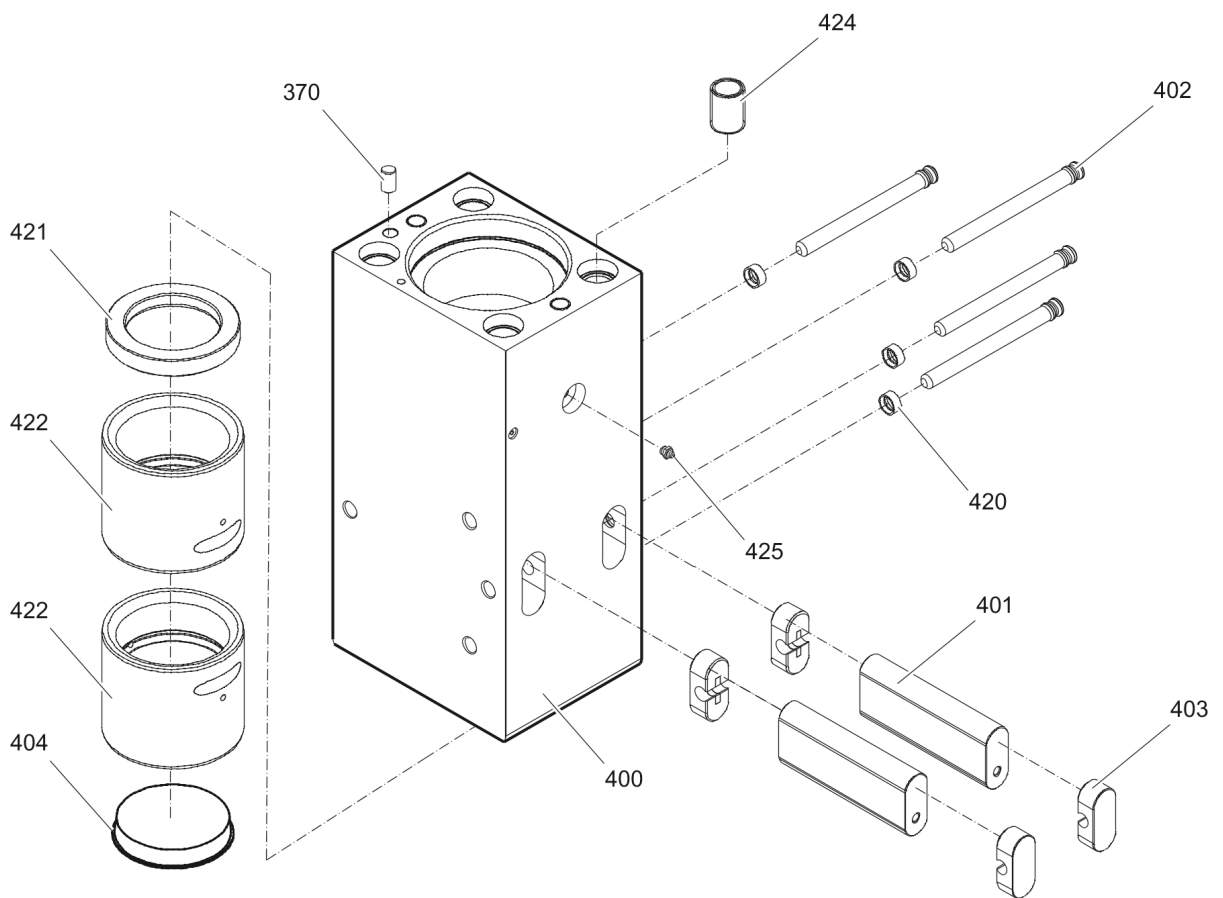


Refer to Parts Online for the most up to date information. The printed information might be outdated.

Thu Mar 26 04:21:12 MDT 2015

Item	Part No.	Name	Qty	L
200	3363105557	Seal bush	1	
201	3363031872	Seal	1	
202	3360479721	O-ring	1	
203	3363031973	Seal	1	
204	3363114621	Seal	1	
300	3363112441	Cylinder	1	
301	3362328126	O-ring	1	
304	3363083668	Wiper	1	
305	3362267584	Seal	5	
306	3362267589	Seal	4	
350	3363085730	Percussion piston	1	
370	3363033051	Lock pin	1	
390(391-392)	3362263822	Seal kit	1	
.391		Seal	1	
.392		Back-up ring	1	

Mechanical Percussion unit part 3: lower breaker part



Refer to Parts Online for the most up to date information. The printed information might be outdated.

Thu Mar 26 04:21:12 MDT 2015

Item	Part No.	Name	Qty	L
370	3363033051	Lock pin	1	
400	3363106623	Lower breaker part	1	A
401	3360981927	Retainer bar	2	
402	3363033027	Bolt	4	
403	3362262925	Plug	4	
404	3363066028	Protective cap	1	
420	3363033043	Locking bush	4	
421	3363069077	Impact ring	1	
422	3363105555	Wear bush	2	
424	3363031774	Threaded insert	4	
425	3360433774	Grease nipple	1	

Comments for Page: Percussion unit part 3: lower breaker part

(L)OCAL REMARKS

A | with item 420 - 425 and two times item 402

Mechanical Tightening torques

NO EXPLODED VIEW
AVAILABLE
FOR THIS BOM

Item	Part No.	Name	Qty	L
22	-	Allen screw - 240 Nm		A
24	-	Nut - 240 Nm		B
104	-	Allen screw - 380 Nm		C
130	-	Non-return valve - 200 Nm		D
133	-	Allen screw - 130 Nm		E
161	-	Allen screw - 350 Nm		F
181	-	Filling valve - 130 Nm		G
182	-	Threaded plug - 20 Nm		H
191	-	Tensioning bolt		I
196	-	Threaded plug - 300 Nm		J
199	-	Allen screw - 20 Nm		K

Comments for Page: Tightening torques

(L)OCAL REMARKS

A | Allen key size 22

B | Socket spanner size 46

C | Allen key size 17

D | Socket spanner size 41

E | Allen key size 12

F | Allen key size 14

G | Socket spanner size 22

H | Allen key size 5

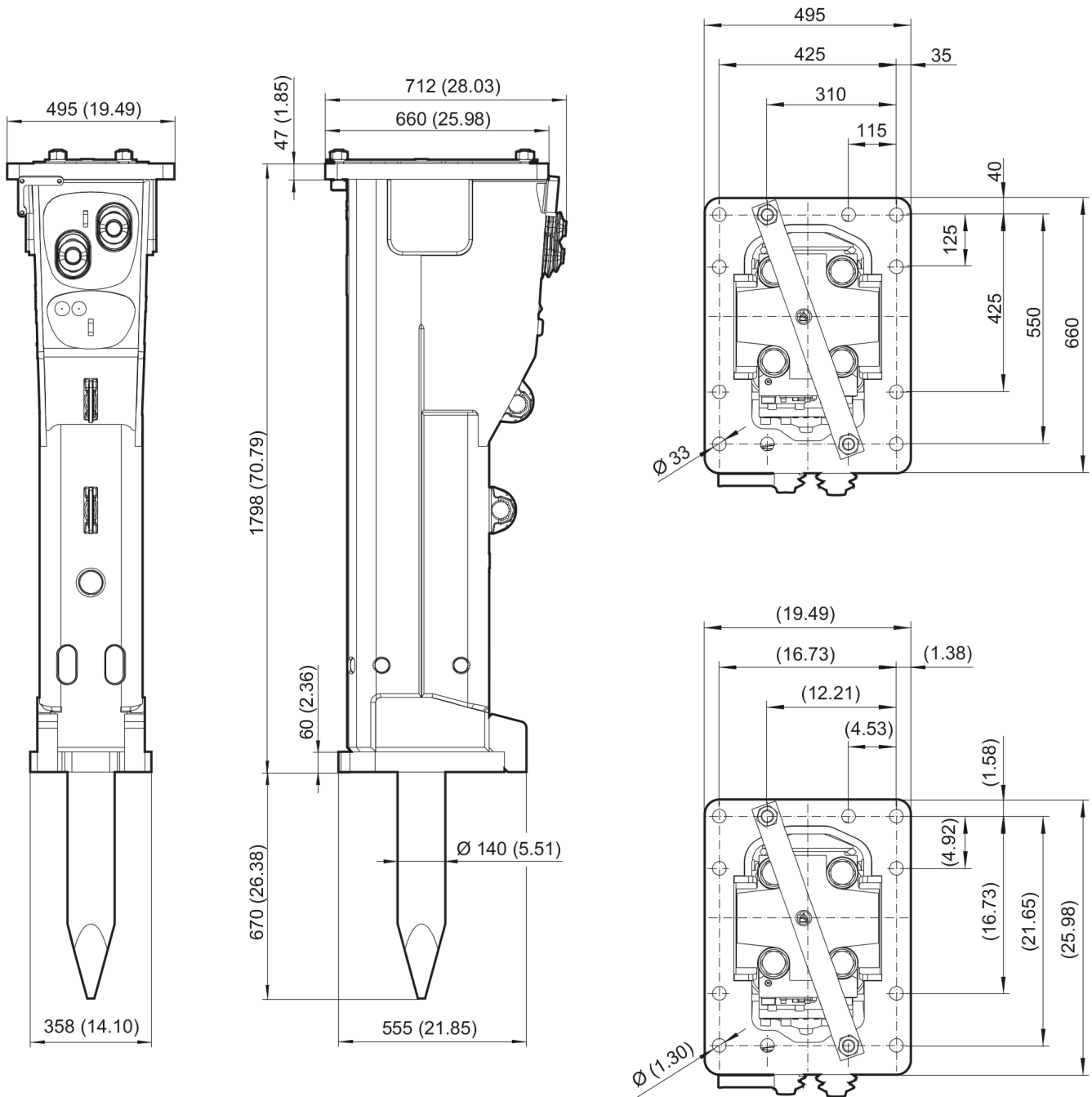
I | Torque wrench or Power wrench size 55

1. Pretighten the tensioning bolts to 500 Nm, proceeding in a crosswise fashion,
2. then tighten each tensioning bolt through 120° (2 sides of hexagonal head) in a crosswise fashion,
3. finally tighten each tensioning bolt again through 150° (2.5 sides of hexagonal head) in a crosswise fashion.

J | Socket spanner size 30

K | Allen key size 6

Mechanical Dimensions



Refer to Parts Online for the most up to date information. The printed information might be outdated.

Thu Mar 26 04:21:15 MDT 2015

Options / accessories Hydraulic hoses

This page intentionally left blank

NO EXPLODED VIEW
AVAILABLE
FOR THIS BOM

Item	Part No.	Name	Qty	L
Not Shown	-	Hydraulic hoses	-	
-	3363087015	Hose with flange, I.D. 25 (1"), flange SAE 1 1/4" - 6000 PSI / JIC 1 5/8", length 2300 mm (91 in.)	2	
-	3363087016	Hose with flange, I.D. 25 (1"), flange SAE 1 1/4" - 6000 PSI / JIC 1 5/8", length 2800 mm (110 in.)	2	
Not Shown	-	Accessories to the hydraulic hoses (for two hoses)	-	
-	3360106074	Allen screw	8	
-	3363089476	Seal	2	
-	3363066963	Plug, M14 x 1.5 mm	4	

Options / accessories Optional equipment

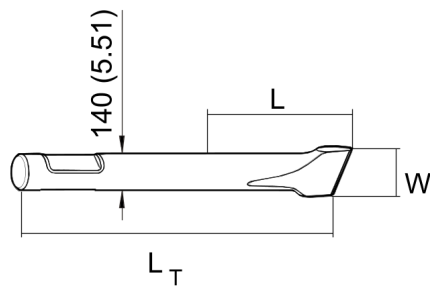
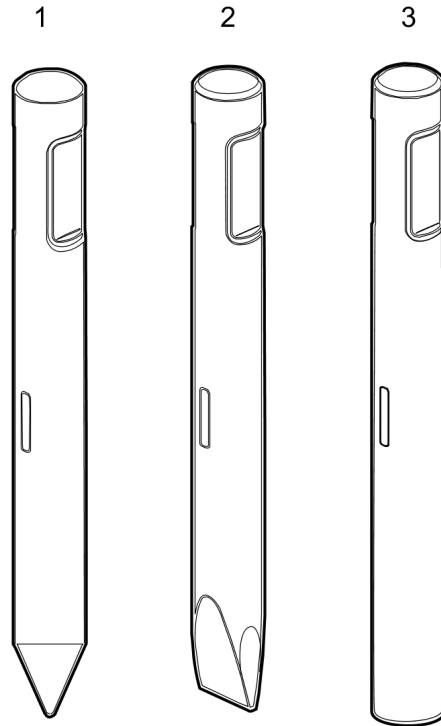
NO EXPLODED VIEW
AVAILABLE
FOR THIS BOM

Item	Part No.	Name	Qty	L
-	3363091200	Chisel paste cartridge, 12 x 500 g (1.1 lbs)	1	
-	3363034567	Grease gun for 500 g cartridge	1	
-	3363089844	Service box with nitrogen cylinder, 2 l, 0.43 gal (0.53 US gal)	1	
-	3363094940	Service box without nitrogen cylinder	1	
-	3363067413	Test gauge lower wear bush	1	
-	3363094952	Inside callipers upper wear bush	1	
Not Shown	-	Adapter plate matching the carrier. Consult the Atlas Copco Customer Center/Dealer in your area.	1	
-	3363099797	Base plate with threaded inserts	1	
-	3363094537	Bolt kit	1	
-	3363100697	Base plate with through borings	1	
-	3363094575	Bolt kit	1	
-	3360209253	Allen key (19 mm)	1	
-	3363117805	Automatic lubrication system kit	1	A

Comments for Page: Optional equipment

A | ContiLube® II

Options / accessories Working tools



Item	Part No.	Name	Qty	L
1	3363082235	Moil point		A
2	3363082237	Chisel (cross)		B
3	3363082239	Blunt tool		C

Comments for Page: Working tools

(L)OCAL REMARKS

A | L = 670 mm, LT = 1200 mm, Wt = 125.0 kg

L = 26.38 inch, LT = 47.24 inch, Wt = 275.6 lb

B | L = 670 mm, LT = 1200 mm, Wt = 127.0 kg

L = 26.38 inch, LT = 47.24 inch, Wt = 280.0 lb

C | L = 670 mm, LT = 1200 mm, Wt = 140.0 kg

L = 26.38 inch, LT = 47.24 inch, Wt = 308.6 lb

Any unauthorized use or copying of the contents or any part thereof is prohibited.
This applies in particular to trademarks, model denominations, part numbers, and drawings.

