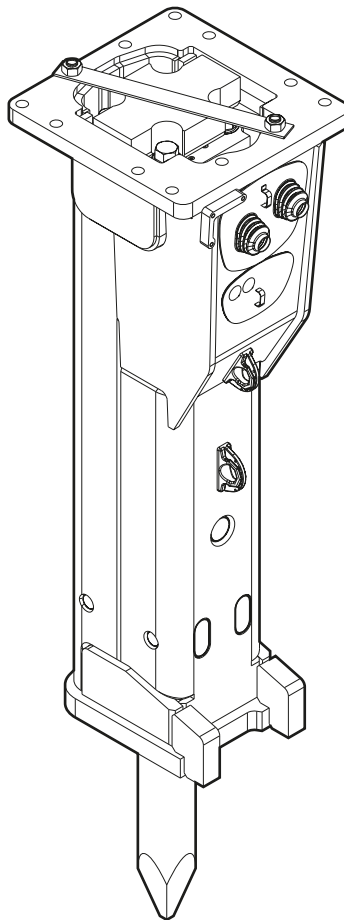


# EC 150T

---

## Spare parts list Hydraulic breakers

EC 150T s/n DEQ151618 - DEQ181222



# General information

This spare parts list applies to the following:

Part number	Description
3363115611	Hydraulic breaker EC 150T

Use only authorized parts. Any damage or malfunction caused by the use of unauthorized parts is not covered by Warranty or Product Liability. Any unauthorized use or copying of the contents or any part thereof is prohibited. This applies in particular to trademarks, model denominations, part numbers, and drawings.

## Instructions for use

This spare parts list contains no safety regulations and is merely intended to assist in the ordering of spare parts.

For information about operating, servicing, or repairing, the relevant Safety and operating instructions must be consulted at all costs.

Please observe the safety instructions listed in the relevant Safety and operating instructions!

## Instructions for ordering

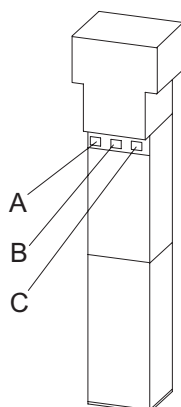
It is essential to indicate the serial number of the hydraulic attachment when ordering spare parts!

Please note the full identification number of your hydraulic attachment.

The code can be found on the cylinder.

Determine the quantity of individual parts which are required and need to be ordered. The order must indicate the following details:

- full identification code of the hydraulic attachment
- required quantity
- part number
- description



- A. Cylinder number
- B. Type
- C. Serial number

**Service, repair and wear part kits**

Label kit ..... 1  
Kit list ..... 3

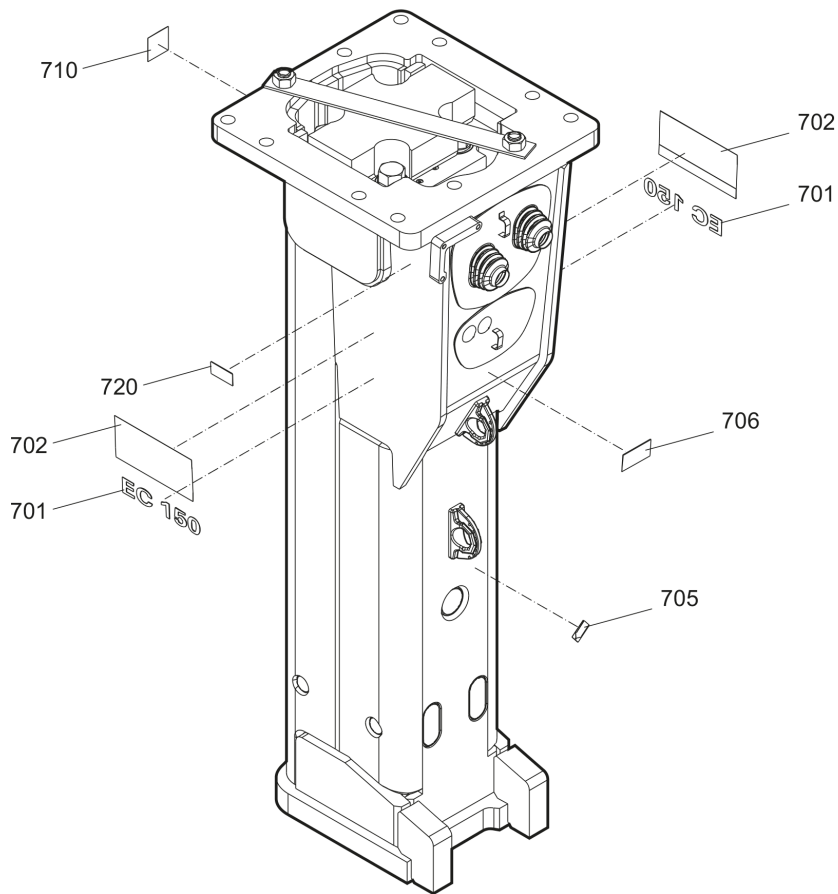
**Mechanical**

Hydraulic breaker ..... 5  
Percussion unit part 1: cylinder cover ..... 7  
Percussion unit part 2: cylinder ..... 10  
Percussion unit part 3: lower breaker part ..... 13  
Tightening torques ..... 15  
Dimensions ..... 17

**Options / accessories**

Hydraulic hoses ..... 18  
Optional equipment ..... 21  
Working tools ..... 23

**Service, repair and wear part kits** Label kit



700				
701	702	705	706	710

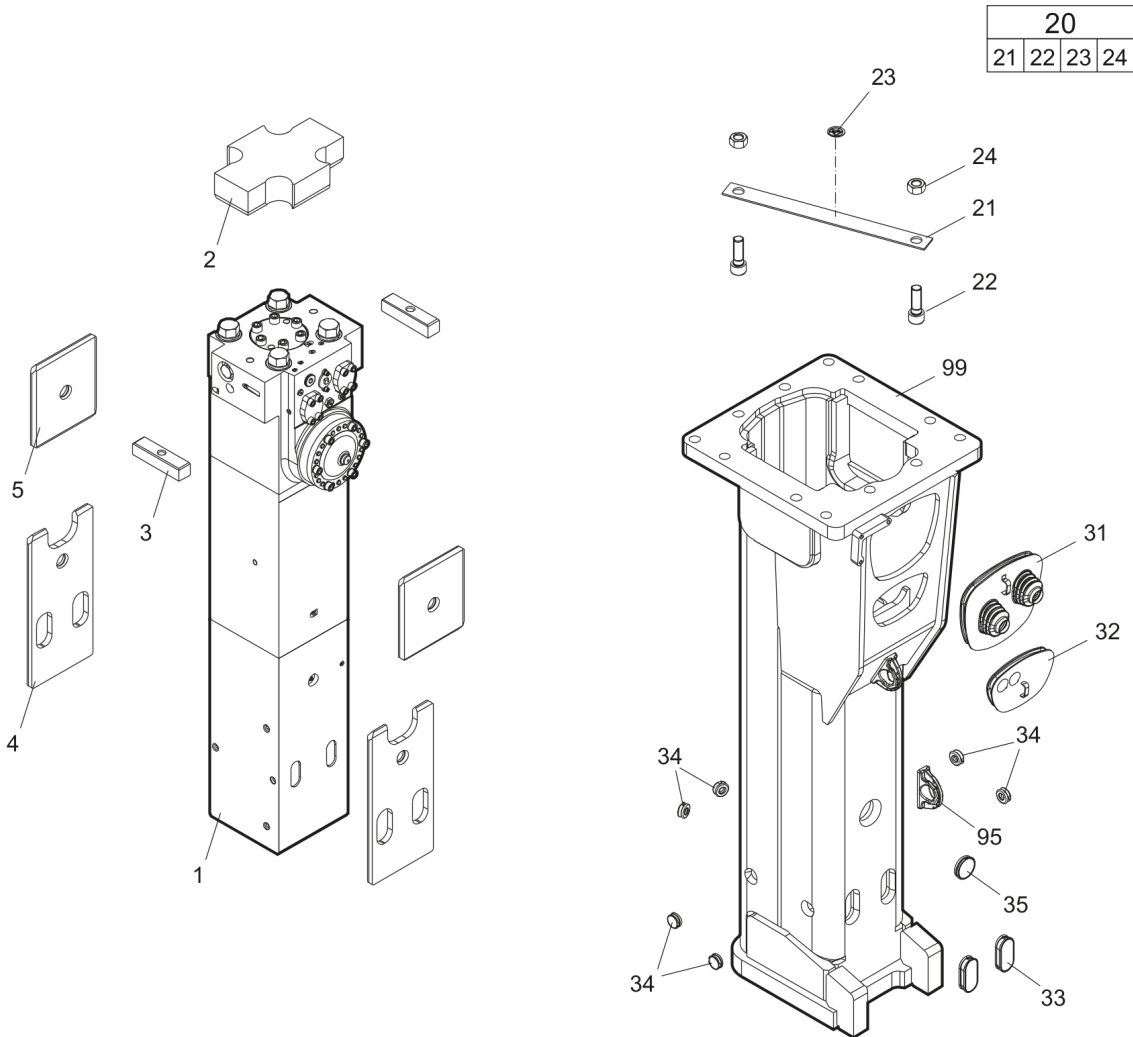
Item	Part No.	Name	Qty	L
700(701-710)	3363117053	Label kit EC 150T	1	
701		Product label "EC 150T"	2	
702		Label "Company"	2	
705		Label - Lubricating symbol	1	
706		Label - Gas pressure	1	
710		Sound power label	1	
720		Name plate - Consult the authorized Customer Center/Dealer in your area.	1	

**Service, repair and wear part kits** Kit list

NO EXPLODED VIEW  
AVAILABLE  
FOR THIS BOM

Item	Part No.	Name	Qty	L
KIT	3363112842	Seal kit	1	
103	3360314375	O-ring	1	
131	3360314372	O-ring	2	
164	3361031912	O-ring	1	
165	3361850529	Back-up ring	1	
166	3361031990	O-ring	1	
182	3360478426	Threaded plug	1	
183	3360175125	O-ring	1	
194	3363112659	O-ring	1	
195	3360314656	O-ring	1	
201	3361855099	Seal	1	
204	3363112705	Seal	1	
291		Back-up ring	1	
292		Seal	1	
301	3361031950	O-ring	1	
302	3363083669	Wiper	1	
305	3362267281	Seal	8	
306	3362267585	Seal	5	
307	3362267582	Stirromatic	2	
391		Seal	1	
392		Back-up ring	1	
411	3360478097	O-ring	1	
KIT	3363098088	Fastening screw kit	1	
161	3363070490	Fastening screw	6	
163	3361333703	Pair of lock washers	6	
172	3361031989	Threaded insert	6	
KIT	3363089849	Accumulator repair kit	1	
-	3362261647	Diaphragm	1	
-	3360332259	Filling screw	1	
-	3360314460	O-ring	1	
-	3361335025	Protective cap	1	
-	3361031912	O-ring	1	
-	3361850529	Back-up ring	1	

**Mechanical** Hydraulic breaker





Item	Part No.	Name	Qty	L
1		Percussion unit	1	A
2	3363105835	Elastic pad	1	
3	3363105837	Shock absorber	2	
4	3363115362	Guide plate	2	
5	3363115363	Guide plate	2	
20(21-24)	3363083343	Transport safety device complete	1	
21		Transport safety device	1	
22	3360026883	Allen screw	2	
23	3363091872	Label transport safety device	1	
24	3360103254	Nut	2	
31	3363116067	Cover	1	
32	3363116113	Cover	1	
33	3363086011	Plug	2	
34	3363086015	Plug	6	
35	3362267893	Plug	1	
95	3363111994	Lifting eye	2	B
99	3363116075	Breaker box	1	C

Comments for Page: Hydraulic breaker

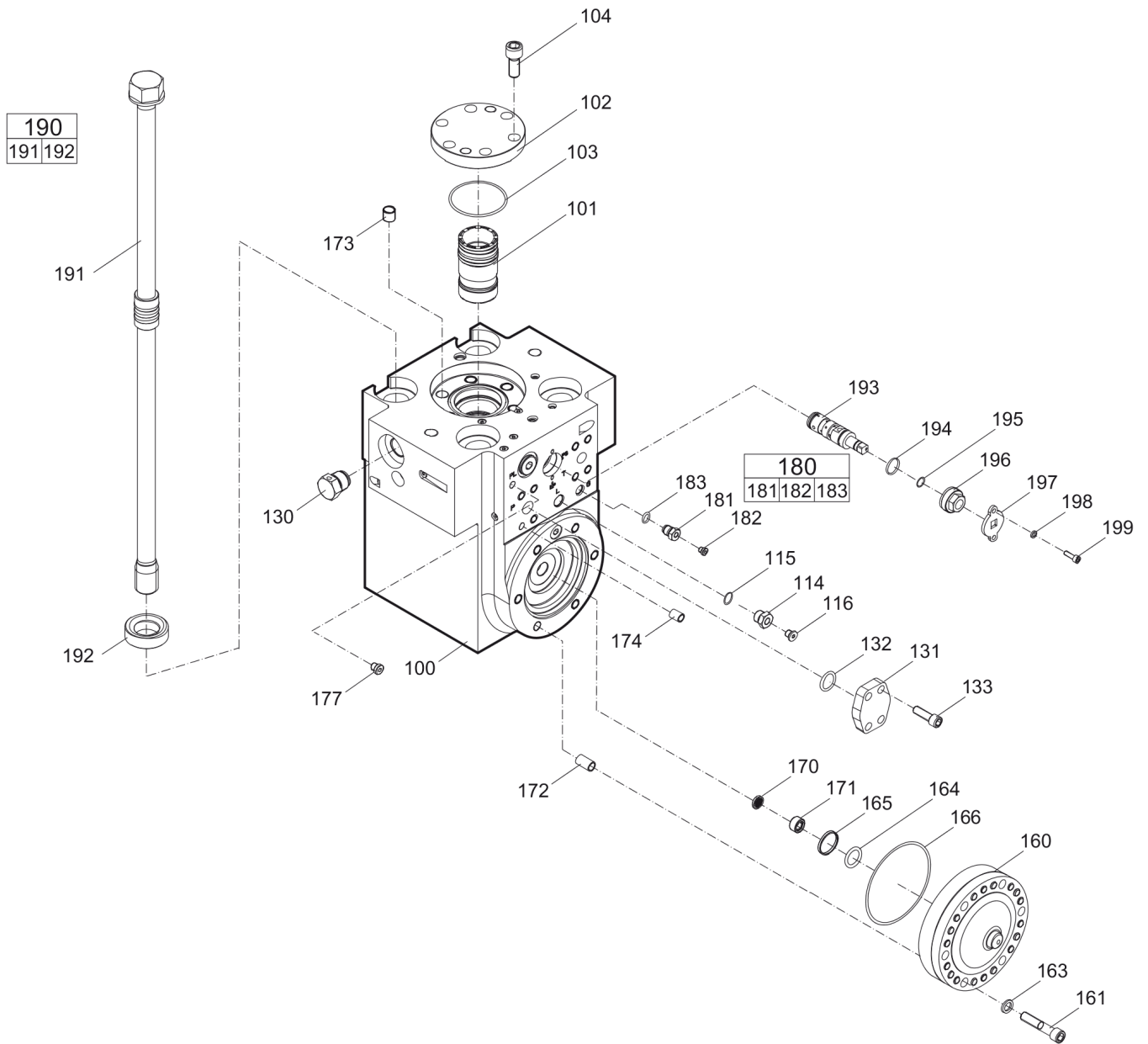
(L)OCAL REMARKS

A | see separate chapter

B | professional welding process necessary

C | with item 95

**Mechanical** Percussion unit part 1: cylinder cover



Refer to Parts Online for the most up to date information. The printed information might be outdated.

Wed Nov 08 10:02:16 UTC 2017

Item	Part No.	Name	Qty	L
100	3363112739	Cylinder cover	1	A
101	3363035439	Main control valve	1	
102	3361331555	Cover	1	
103	3360314375	O-ring	1	
104	3360103776	Allen screw	6	
114	3361854657	Connecting screw	1	
115	3360478171	O-ring	1	
116	3360478439	Threaded plug	1	
130	3361854511	Non-return valve	1	
131	3363034041	Blind flange	2	
132	3360314372	O-ring	2	
133	3363034274	Allen screw	8	
160	3363069585	HP-accumulator	1	
161	3363070490	Fastening screw	6	
163	3361333703	Pair of lock washers	6	
164	3361031912	O-ring	1	
165	3361850529	Back-up ring	1	
166	3361031990	O-ring	1	
170	3361844113	Strainer disk	1	
171	3361844115	Threaded plug	1	
172	3361031989	Threaded insert	6	
173	3361031529	Threaded insert	6	
174	3361031946	Threaded insert	8	
177	3363066963	Plug, M14 x 1.5 mm	1	
180(181-183)	3363087286	Filling valve complete	1	
181		Filling valve	1	
182	3360478426	Threaded plug	1	
183	3360175125	O-ring	1	
190(191-192)	3363106905	Tensioning bolt complete	4	
191		Tensioning bolt	1	
192	3363093649	Washer	1	
193	3363113244	Valve	1	B
194	3363112659	O-ring	1	
195	3360314656	O-ring	1	
196	3363113246	Threaded plug	1	
197	3363119005	Plate	1	
198	3361850743	Pair of lock washers	2	

Refer to Parts Online for the most up to date information. The printed information might be outdated.

Wed Nov 08 10:02:16 UTC 2017

Item	Part No.	Name	Qty	L
199	3360103735	Allen screw	2	

Comments for Page: Percussion unit part 1: cylinder cover

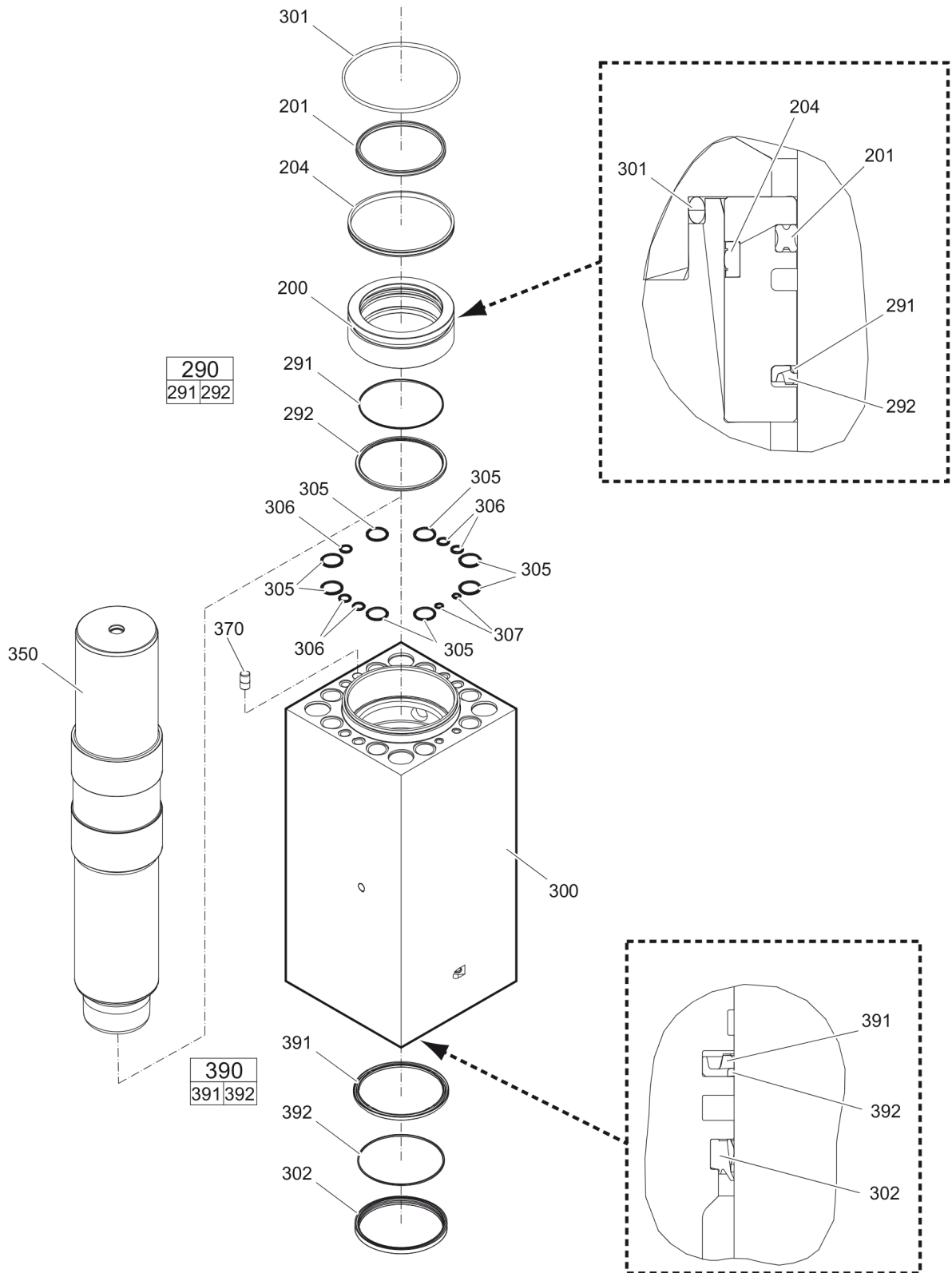
(L)OCAL REMARKS

A | with item 114 - 116 and 170 - 177

B | Stroke control

This page intentionally left blank

**Mechanical** Percussion unit part 2: cylinder



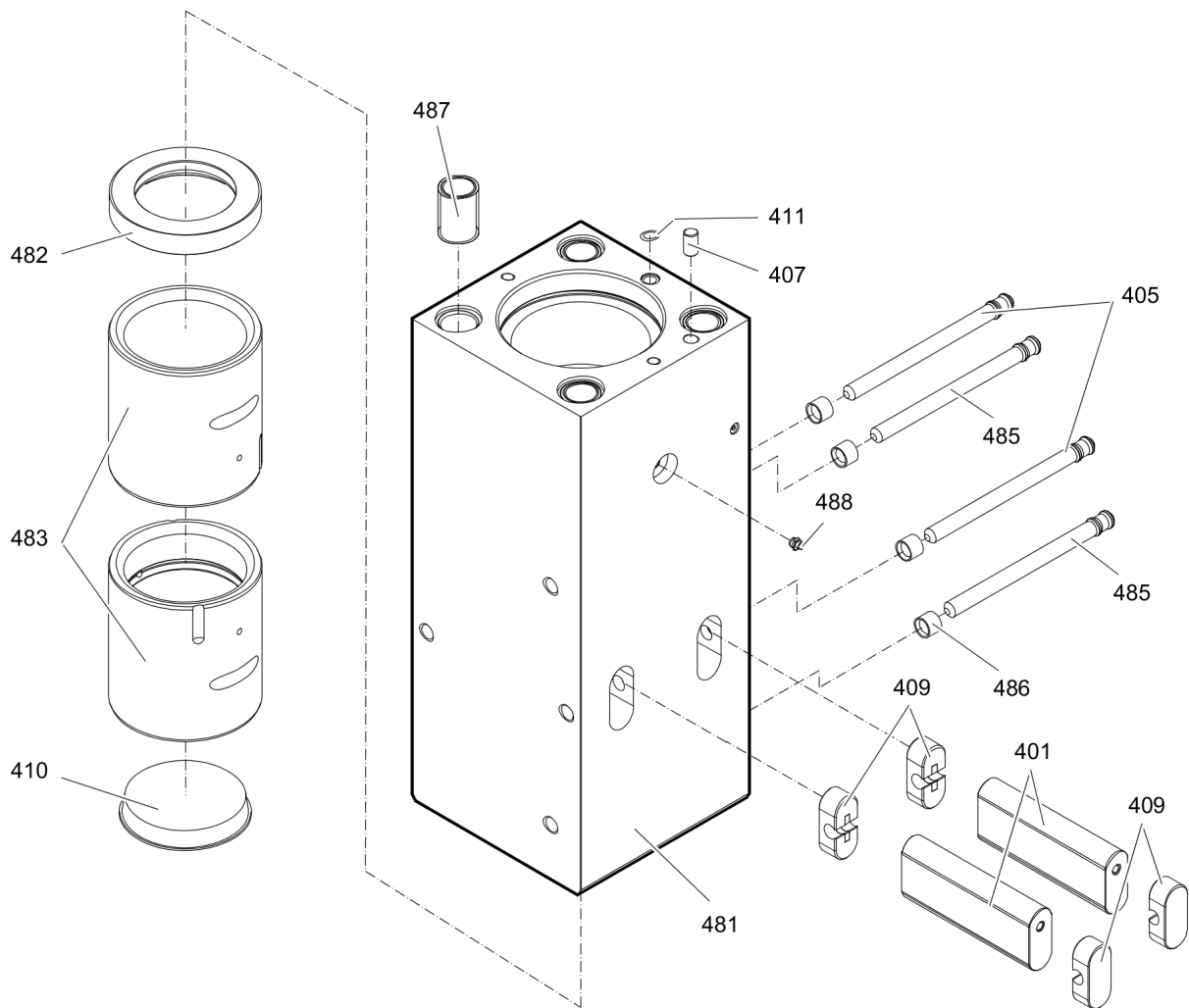
Refer to Parts Online for the most up to date information. The printed information might be outdated.

Wed Nov 08 10:02:17 UTC 2017

Item	Part No.	Name	Qty	L
200	3363112392	Seal flange	1	
201	3361855099	Seal	1	
204	3363112705	Seal	1	
290(291-292)	3363083589	Seal kit	1	
291		Back-up ring	1	
292		Seal	1	
300	3363112528	Cylinder	1	
301	3361031950	O-ring	1	
302	3363083669	Wiper	1	
305	3362267281	Seal	8	
306	3362267585	Seal	5	
307	3362267582	Stirromatic	2	
350	3363112401	Percussion piston	1	
370	3362268185	Lock pin	1	
390(391-392)	3363083590	Seal kit	1	
391		Seal	1	
392		Back-up ring	1	

**Mechanical** Percussion unit part 3: lower breaker part

480						
481	482	483	485	486	487	488





Item	Part No.	Name	Qty	L
401	3360981927	Retainer bar	2	
405	3361854347	Bolt	2	
407	3362261705	Lock pin	1	
409	3362262925	Plug	4	
410	3360995340	Protective cap	1	
411	3360478097	O-ring	1	
480(481-488)	3363106627	Lower breaker part complete	1	
481		Lower breaker part	1	
482	3363069079	Impact ring	1	
483	3363105553	Wear bush	2	
485	3361854347	Bolt	2	
486	3361854363	Locking bush	4	
487	3363085379	Threaded insert	4	
488	3360433774	Grease nipple	1	

**Mechanical** Tightening torques

NO EXPLODED VIEW  
AVAILABLE  
FOR THIS BOM

Item	Part No.	Name	Qty	L
22	-	Allen screw - 240 Nm		A
24	-	Nut - 240 Nm		B
104	-	Allen screw - 380 Nm		C
130	-	Non-return valve - 200 Nm		D
133	-	Allen screw - 130 Nm		E
161	-	Allen screw - 350 Nm		F
181	-	Filling valve - 130 Nm		G
182	-	Threaded plug - 20 Nm		H
191	-	Tensioning bolt		I
196	-	Threaded plug - 300 Nm		J
199	-	Allen screw - 20 Nm		K

Comments for Page: Tightening torques

(L)OCAL REMARKS

A | Allen key size 22

B | Socket spanner size 46

C | Allen key size 17

D | Socket spanner size 41

E | Allen key size 12

F | Allen key size 14

G | Socket spanner size 22

H | Allen key size 5

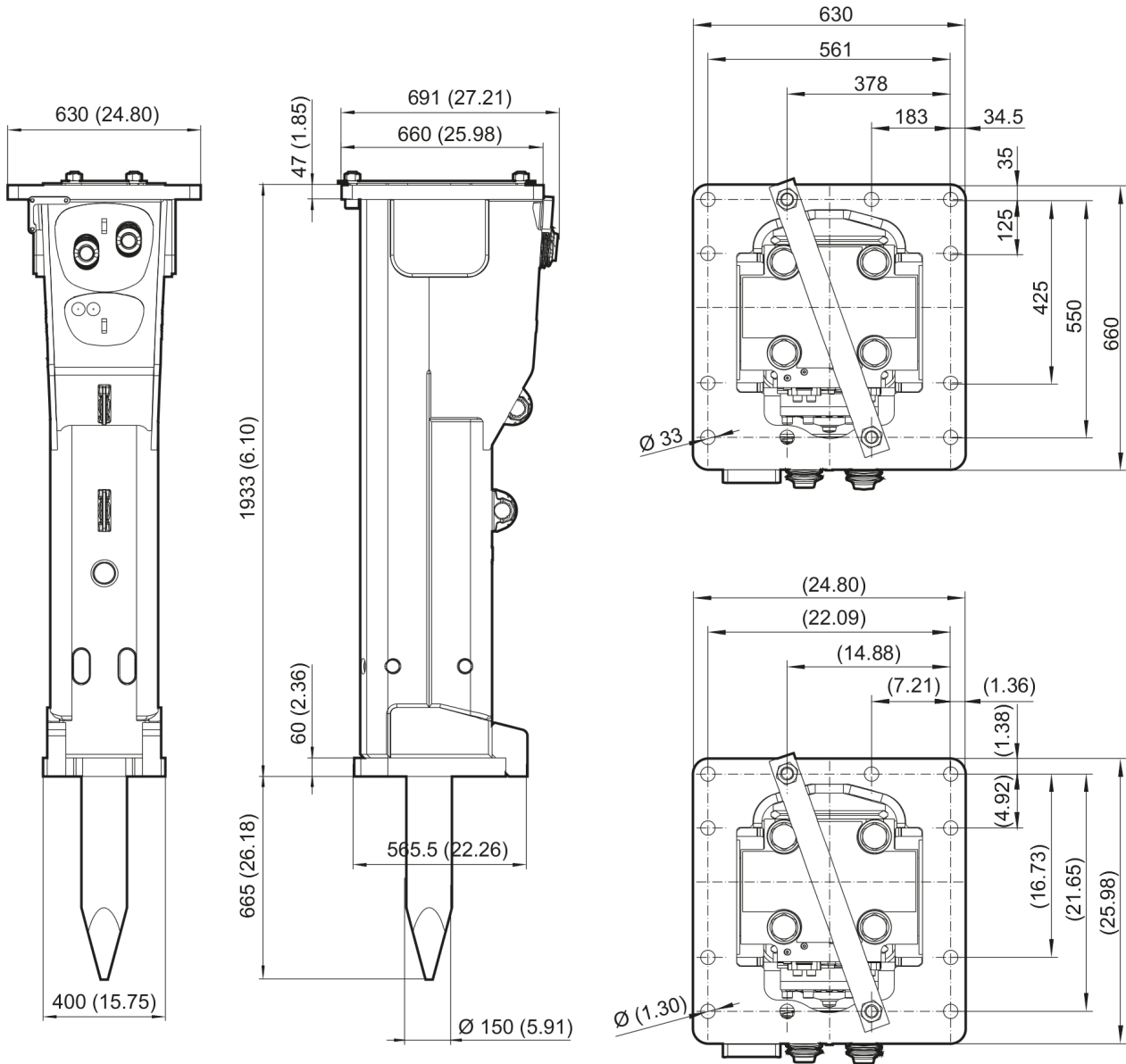
I | Torque wrench or Power wrench size 55

1. Pretighten the tensioning bolts to 500 Nm, proceeding in a crosswise fashion,
2. then tighten each tensioning bolt through 120° (2 sides of hexagonal head) in a crosswise fashion,
3. finally tighten each tensioning bolt again through 120° (2 sides of hexagonal head) in a crosswise fashion.

J | Socket spanner size 30

K | Allen key size 6

**Mechanical Dimensions**



Refer to Parts Online for the most up to date information. The printed information might be outdated.

Wed Nov 08 10:02:18 UTC 2017

This page intentionally left blank

**Options / accessories** Hydraulic hoses

NO EXPLODED VIEW  
AVAILABLE  
FOR THIS BOM

Item	Part No.	Name	Qty	L
Not Shown	-	Hydraulic hoses	-	
-	3363087015	Hydraulic hose with flange, I.D. 25 (1"), flange SAE 1 1/4" - 6000 PSI / JIC 1 5/8", length 2300 mm (91 in.)	2	
-	3363087016	Hydraulic hose with flange, I.D. 25 (1"), flange SAE 1 1/4" - 6000 PSI / JIC 1 5/8", length 2800 mm (110 in.)	2	
Not Shown	-	Accessories to the hydraulic hoses (for two hoses)	-	
-	3360106074	Allen screw	8	
-	3363089476	Seal	2	
-	3363066963	Plug, M14 x 1.5 mm	4	

**Options / accessories** Optional equipment

NO EXPLODED VIEW  
AVAILABLE  
FOR THIS BOM

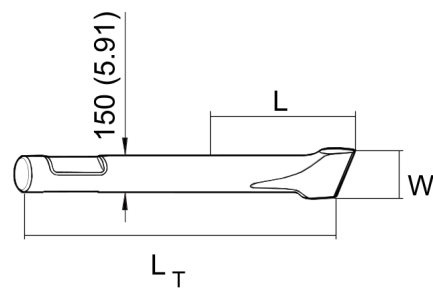
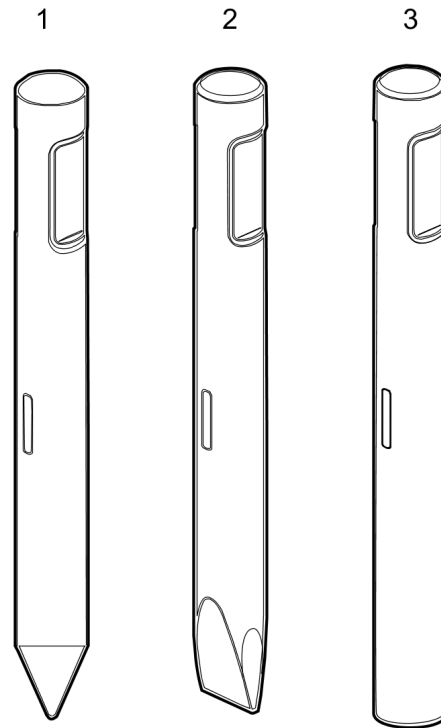


Item	Part No.	Name	Qty	L
-	3363091200	Chisel paste cartridge, 12 x 500 g (1.1 lbs)	1	
-	3363034567	Grease gun for 500 g cartridge	1	
-	3363089844	Maintenance and charging box with nitrogen cylinder, 2 l, 0.43 gal (0.53 US gal)	1	
-	3363094940	Maintenance and charging box without nitrogen cylinder	1	
-	3361852171	Test gauge lower wear bush	1	
-	3363094952	Inside callipers upper wear bush	1	
-		Adapter plate matching the carrier. Consult the authorized Customer Center/Dealer in your area.	1	
-	3363099795	Base plate with threaded inserts	1	
-	3363087303	Bolt kit	1	
-	3363100699	Base plate with through borings	1	
-	3363094575	Bolt kit	1	
-	3360209445	Allen key (22 mm)	1	
-	3363117805	Automatic lubrication system kit	1	A

Comments for Page: Optional equipment

A | ContiLube® II

Options / accessories Working tools



Item	Part No.	Name	Qty	L
1	3363087216	Moil point	1	A
1	3363082241	Moil point	1	B
2	3363085970	Chisel (cross)	1	C
2	3363082243	Chisel (cross)	1	D
3	3363087214	Blunt tool	1	E
3	3363082245	Blunt tool	1	F

Comments for Page: Working tools

(L)OCAL REMARKS

A | L = 515 mm, LT = 1150 mm, Wt = 137.0 kg

L = 20.28 inch, LT = 45.28 inch, Wt = 302.0 lb

B | L = 665 mm, LT = 1300 mm, Wt = 158.0 kg

L = 26.18 inch, LT = 51.18 inch, Wt = 348.3 lb

C | L = 515 mm, LT = 1150 mm, Wt = 143.0 kg

L = 20.28 inch, LT = 45.28 inch, Wt = 315.3 lb

D | L = 665 mm, LT = 1300 mm, Wt = 164.0 kg

L = 26.18 inch, LT = 51.18 inch, Wt = 361.6 lb

E | L = 515 mm, LT = 1150 mm, Wt = 155.0 kg

L = 20.28 inch, LT = 45.28 inch, Wt = 341.7 lb

F | L = 665 mm, LT = 1300 mm, Wt = 176.0 kg

L = 26.18 inch, LT = 51.18 inch, Wt = 388.0 lb

Any unauthorized use or copying of the contents or any part thereof is prohibited.  
This applies in particular to trademarks, model denominations, part numbers, and drawings.