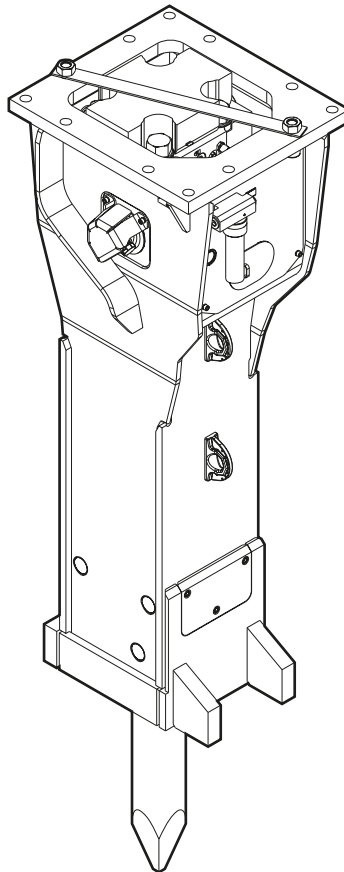


HB 4100

Spare parts list Hydraulic breakers

HB 4100 s/n DEQ140484 - DEQ171455



General information

This spare parts list applies to the following:

Part number	Description
3363112655	Hydraulic breaker HB 4100 with lower wear bush (steel)
3363116865	Hydraulic breaker HB 4100 with lower wear bush (bronze)

Use only authorized parts. Any damage or malfunction caused by the use of unauthorized parts is not covered by Warranty or Product Liability. Any unauthorized use or copying of the contents or any part thereof is prohibited. This applies in particular to trademarks, model denominations, part numbers, and drawings.

Instructions for use

This spare parts list contains no safety regulations and is merely intended to assist in the ordering of spare parts.

For information about operating, servicing, or repairing, the relevant Safety and operating instructions must be consulted at all costs.

Please observe the safety instructions listed in the relevant Safety and operating instructions!

Instructions for ordering

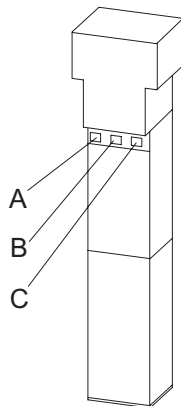
It is essential to indicate the serial number of the hydraulic attachment when ordering spare parts!

Please note the full identification number of your hydraulic attachment.

The code can be found on the cylinder.

Determine the quantity of individual parts which are required and need to be ordered. The order must indicate the following details:

- full identification code of the hydraulic attachment
- required quantity
- part number
- description



A. Cylinder number

B. Type

C. Serial number

Contents

Service, repair and wear part kits

Label kit	1
Kit list	3

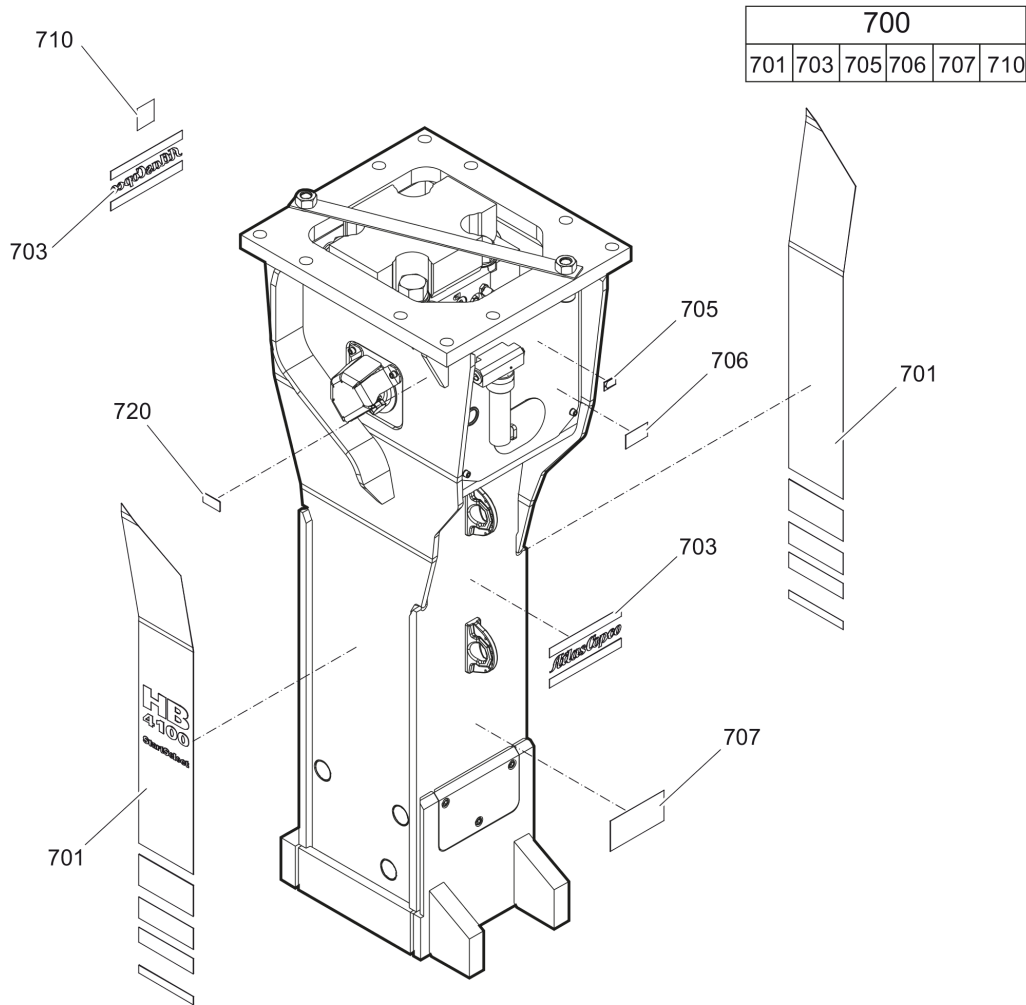
Mechanical

Hydraulic breaker	7
Percussion unit part 1: cylinder cover	9
Percussion unit part 2: cylinder	12
Percussion unit part 3: lower breaker part (steel)	15
Percussion unit part 3: lower breaker part (bronze)	17
Connecting kit for automatic lubrication system	19
StartSelect - AutoStart or AutoStop	21
Optional parts	23
Tightening torque	25
Dimensions	28

Options / accessories

Hydraulic hoses	30
Optional equipment	33
Working tools ClassicLine	35
Working tools SilverLine	38

Service, repair and wear part kits Label kit



Refer to Parts Online for the most up to date information. The printed information might be outdated.

Wed Jul 08 02:17:15 MDT 2015

Item	Part No.	Name	Qty	L
700(701-710)	3363113037	Label kit HB 4100	1	
701		Product label "HB 4100"	2	
703		Product label "Atlas Copco"	2	
705		Lubricating symbol	1	
706		Label gas pressure	2	
707		Label working tools	1	
710		Sound power label	1	
720		Name plate - Consult the Atlas Copco Customer Center/Dealer in your area.	1	

Service, repair and wear part kits Kit list

NO EXPLODED VIEW
AVAILABLE
FOR THIS BOM

Item	Part No.	Name	Qty	L
KIT	3363113036	Seal kit	1	
103	3360314375	O-ring	1	
108	3360314370	O-ring	1	
112	3363087085	Back-up ring	1	
113	3363110401	O-ring	1	
115	3360478171	O-ring	1	
120	3361031810	O-ring	1	
121	3363087483	Back-up ring	1	
138	3360314373	O-ring	2	
145(146-147)	3361850422	Seal kit	2	
146		O-ring	2	
147		Back-up ring	2	
164	3360314364	O-ring	1	
165	3360328046	Back-up ring	1	
182	3360478426	Threaded plug	1	
183	3360175125	O-ring	1	
203	3363113167	Seal	1	
204	3363098138	Seal	1	
290(291-292)	3363083593	Seal kit	2	
291		Seal	1	
292		Back-up ring	1	
305	3363083671	Wiper	1	
306	3362267585	Seal	6	
307	3362267589	Seal	8	
390(391-392)	3363083594	Seal kit	2	
391		Seal	1	
392		Back-up ring	1	
401	3362267586	Seal	1	
602	3363083245	O-ring	1	
KIT	3363091732	Seal kit for swivel joint for automatic lubrication system	1	
KIT	3363116082	Plastic parts kit	1	
2	3361356789	Elastic pad	1	
3	3361356925	Shock absorber	2	
4	3363115360	Guide plate	2	
5	3363115361	Guide plate	2	
6	3363086237	Plate	1	
KIT	3363113270	Tensioning bolt kit	1	

Refer to Parts Online for the most up to date information. The printed information might be outdated.

Wed Jul 08 02:17:16 MDT 2015

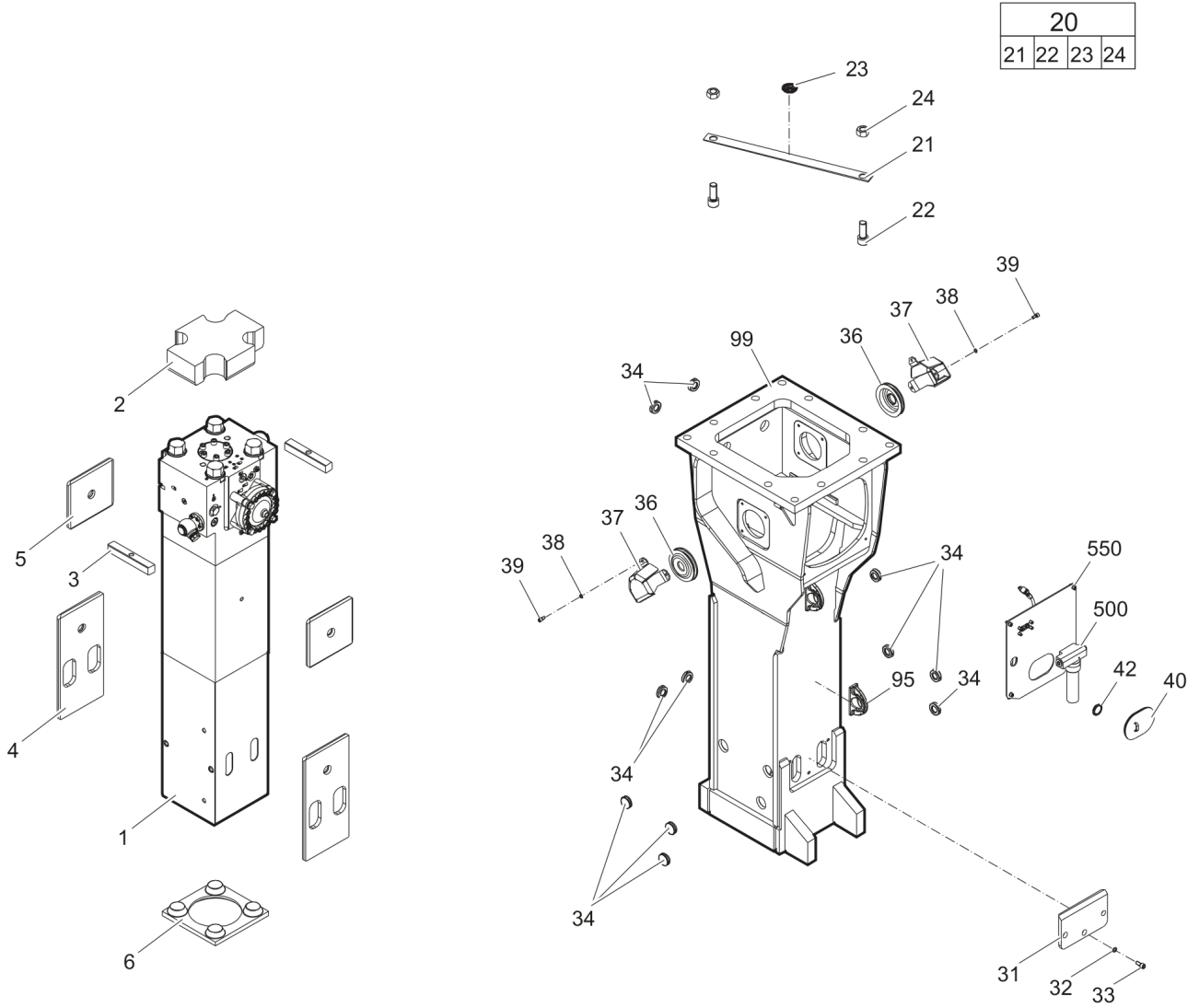
Item	Part No.	Name	Qty	L
191		Tensioning bolt	2	
192	3363093653	Washer	2	
487	3363085321	Threaded insert	2	
870	3363094300	Anti-Seize 120 g	1	
KIT	3363116083	Noise protection kit	1	
34	3363111912	Plug	11	
36	3363115515	Cover	2	
40	3363092697	Cover	1	
42	3363112668	Plug	1	
KIT	3363094377	Lower breaker part kit (bronze)	1	
402	3361331529	Retainer bar	2	
403	3362261540	Bolt	2	
404	3362262921	Plug	4	
482	3363069083	Impact ring	1	
483	3363069137	Wear bush	1	
484	3363088511	Wear bush (bronze)	1	
485	3361854347	Bolt	2	
486	3361854363	Locking bush	2	
488	3362260433	Locking bush	2	
-	3315038100	Chisel paste cartridge, 400 g 0.88 lb	1	
-	3361852175	Test gauge lower wear bush	1	
KIT	3363103408	Lower breaker part kit (steel)	1	
402	3361331529	Retainer bar	2	
403	3362261540	Bolt	2	
404	3362262921	Plug	4	
482	3363069083	Impact ring	1	
483	3363069137	Wear bush	1	
484	3363088653	Wear bush (steel)	1	
485	3361854347	Bolt	2	
486	3361854363	Locking bush	2	
488	3362260433	Locking bush	2	
-	3315038100	Chisel paste cartridge, 400 g 0.88 lb	1	
-	3361852175	Test gauge lower wear bush	1	
KIT	3363103487	Fastening screw kit	1	
161	3363113101	Fastening screw	4	
162	3363100049	Washer	4	
172	3361031546	Threaded insert	4	

Refer to Parts Online for the most up to date information. The printed information might be outdated.

Wed Jul 08 02:17:16 MDT 2015

Item	Part No.	Name	Qty	L
KIT	3363089850	Accumulator repair kit	1	
-	3361329022	Diaphragm	1	
-	3360332259	Filling screw	1	
-	3360314460	O-ring	1	
-	3361335025	Protective cap	1	
-	3360314364	O-ring	1	
-	3360328046	Back-up ring	1	

Mechanical Hydraulic breaker



Refer to Parts Online for the most up to date information. The printed information might be outdated.

Wed Jul 08 02:17:17 MDT 2015

Item	Part No.	Name	Qty	L
1		Percussion unit	1	A
2	3361356789	Elastic pad	1	
3	3361356925	Shock absorber	2	
4	3363115360	Guide plate	2	
5	3363115361	Guide plate	2	
6	3363086237	Plate	1	
20(21-24)	3363094826	Transport safety device complete	1	
21		Transport safety device	1	
22	3360114151	Allen screw	2	
23	3363091872	Label transport safety device	1	
24	3360103255	Nut	2	
31	3363115523	Plate	1	
32	3361333703	Lock washer	3	
33	3362328113	Allen screw	3	
34	3363111912	Plug	11	
36	3363115515	Cover	2	
37	3363115524	Swivel joint cover	2	
38	3361850596	Pair of lock washers	6	
39	3360103750	Allen screw	6	
40	3363092697	Cover	1	
42	3363112668	Plug	1	
95	3363111995	Lifting eye	2	B
99	3363115432	Breaker box	1	C
500	3363067123	Automatic lubrication system	1	D
550	3363112533	Connecting kit for automatic lubrication system	1	A

Comments for Page: Hydraulic breaker

(L)OCAL REMARKS

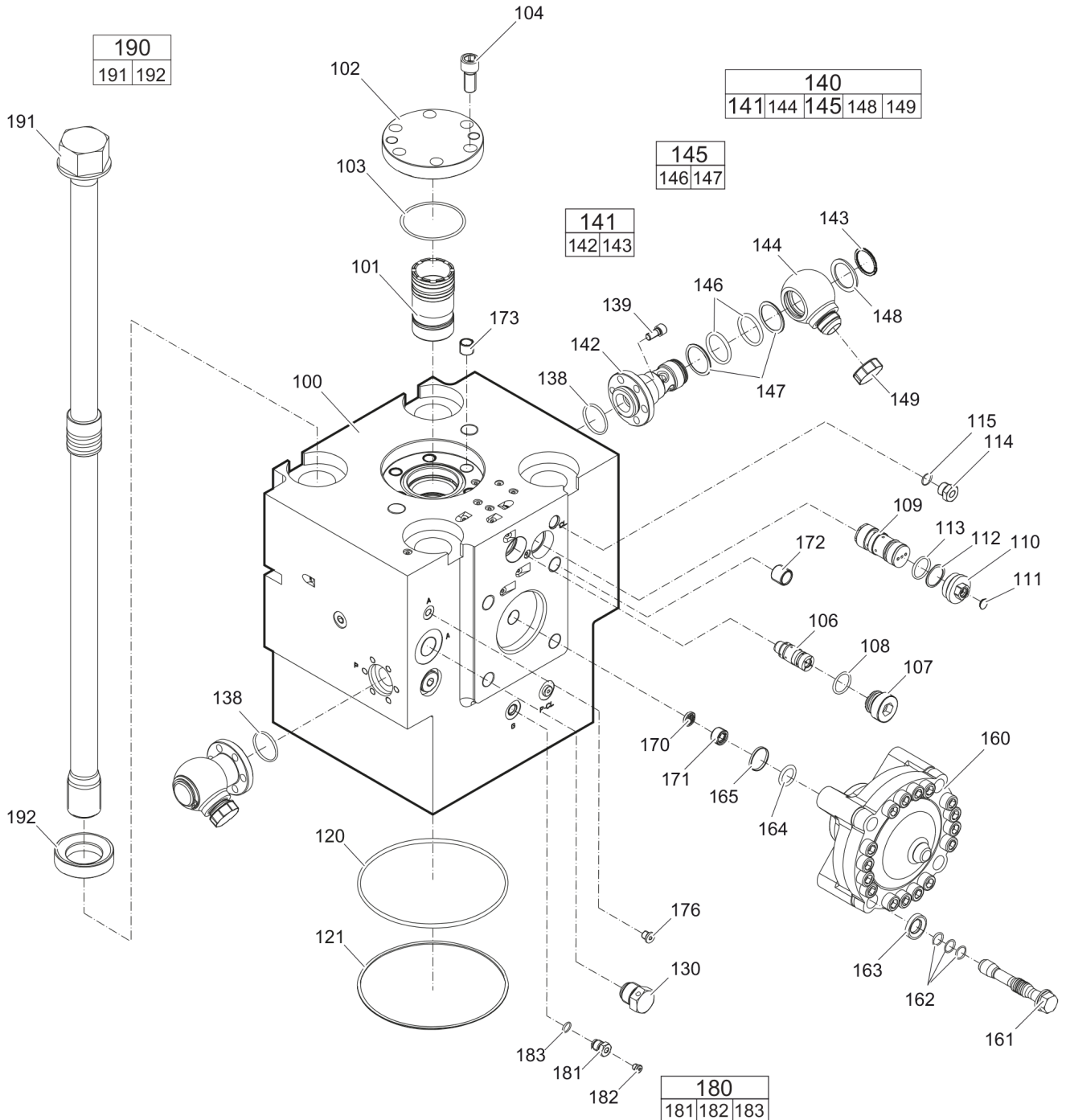
A | see separate chapter

B | professional welding process necessary

C | with item 95

D | see separate Safety and operating instructions

Mechanical Percussion unit part 1: cylinder cover



Refer to Parts Online for the most up to date information. The printed information might be outdated.

Wed Jul 08 02:17:19 MDT 2015

Item	Part No.	Name	Qty	L
100	3363112417	Cylinder cover	1	A
101	3363088569	Main control valve	1	
102	3361331555	Cover	1	
103	3360314375	O-ring	1	
104	3360103776	Allen screw	6	
106	3363035453	Valve	1	B
107	3363035425	Threaded plug	1	
108	3360314370	O-ring	1	
109	3363085270	Safety valve	1	C
110	3363087086	Threaded plug	1	
111	3363087087	Threaded plug	1	
112	3363087085	Back-up ring	1	
113	3363110401	O-ring	1	
114	3361854657	Connecting screw	1	
115	3360478171	O-ring	1	
120	3361031810	O-ring	1	
121	3363087483	Back-up ring	1	
130	3361854511	Non-return valve	1	
138	3360314373	O-ring	2	
139	3360103750	Allen screw	12	
140(141-149)	3363116891	Swivel joint complete	2	
141(142-143)	3363116890	Adapter complete	1	
142		Adapter	1	
143	3363116062	Snapring	1	
144	3361356643	Adapter	1	
145(146-147)	3361850422	Seal kit	1	
146		O-ring	2	
147		Back-up ring	2	
148	3361356645	Disk	1	
149	3361353489	Cap	1	
160	3363094981	HP-accumulator	1	
161	3363113101	Fastening screw	4	D
162	3363114730	Service kit O-rings	1	E
163	3363100049	Washer	4	
164	3360314364	O-ring	1	
165	3360328046	Back-up ring	1	
170	3361844113	Strainer disk	1	

Refer to Parts Online for the most up to date information. The printed information might be outdated.

Wed Jul 08 02:17:19 MDT 2015

Item	Part No.	Name	Qty	L
171	3361844115	Threaded plug	1	
172	3361031546	Threaded insert	4	
173	3361031529	Threaded insert	6	
176	3360478439	Threaded plug	1	
180(181-183)	3363087286	Filling valve complete	1	
181		Filling valve	1	
182	3360478426	Threaded plug	1	
183	3360175125	O-ring	1	
190(191-192)	3363113035	Tensioning bolt complete	4	
191		Tensioning bolt	1	
192	3363093653	Washer	1	

Comments for Page: Percussion unit part 1: cylinder cover

(L)OCAL REMARKS

A | with items 170 - 176

B | AutoControl

C | PowerAdapt

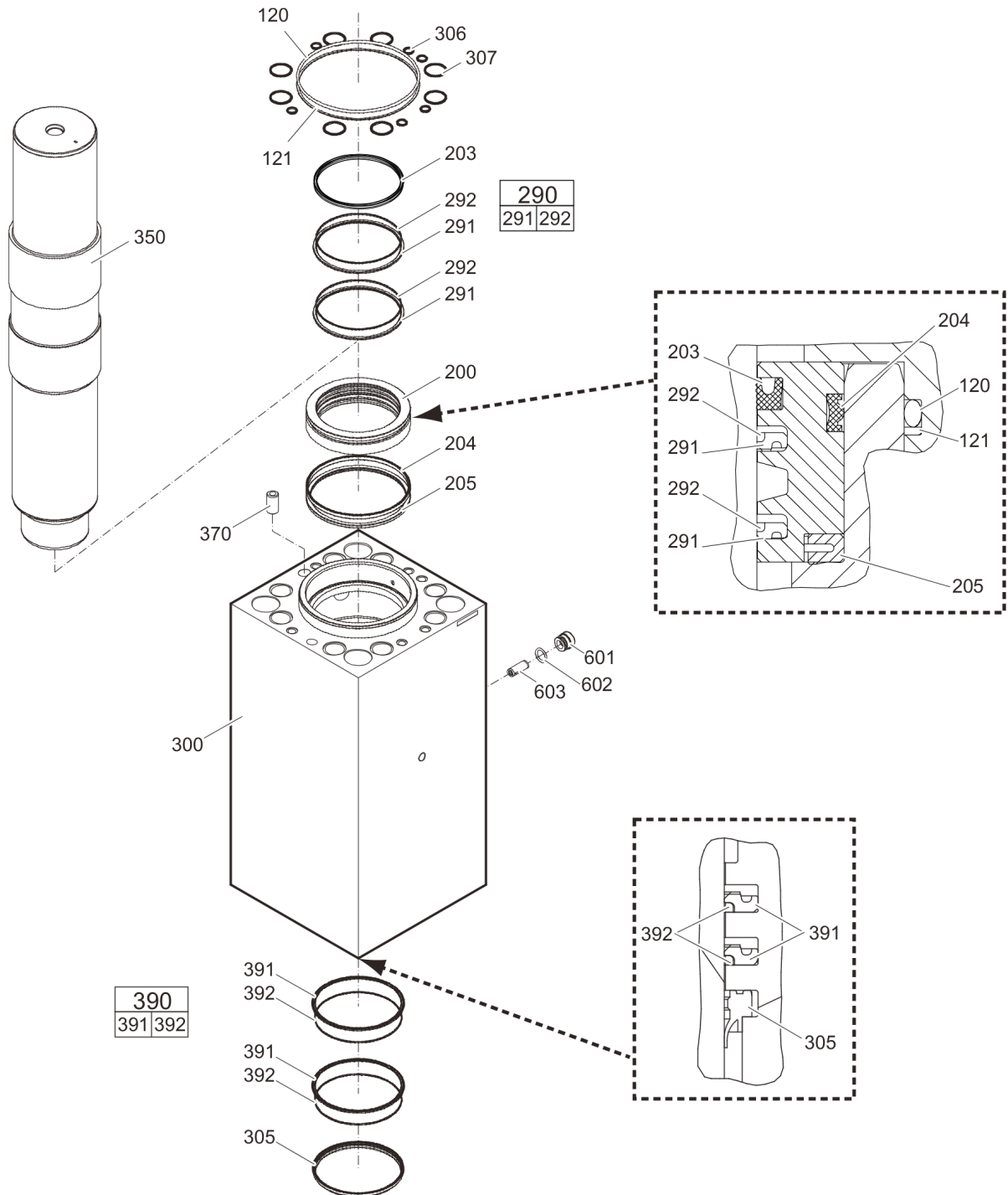
Only in exchange for the part to be replaced. Consult the Atlas Copco Customer Center/Dealer in your area.

D | each fastening screw with 3 o-rings item 162

E | 12 o-rings for all 4 fastening screws item 161

Mechanical Percussion unit part 2: cylinder

This page intentionally left blank



Refer to Parts Online for the most up to date information. The printed information might be outdated.

Wed Jul 08 02:17:20 MDT 2015

Item	Part No.	Name	Qty	L
200	3363085598	Seal bush	1	
203	3363113167	Seal	1	
204	3363098138	Seal	1	
205	3363097795	Ring	1	
290(291-292)	3363083593	Seal kit	2	
291		Seal	1	
292		Back-up ring	1	
300	3363083477	Cylinder	1	A
305	3363083671	Wiper	1	
306	3362267585	Seal	6	
307	3362267589	Seal	8	
350	3361356613	Percussion piston	1	
370	3360921413	Lock pin	1	
390(391-392)	3363083594	Seal kit	2	
391		Seal	1	
392		Back-up ring	1	
601	3363082593	Plug	1	
602	3363083245	O-ring	1	
603	3363082505	Valve	1	B

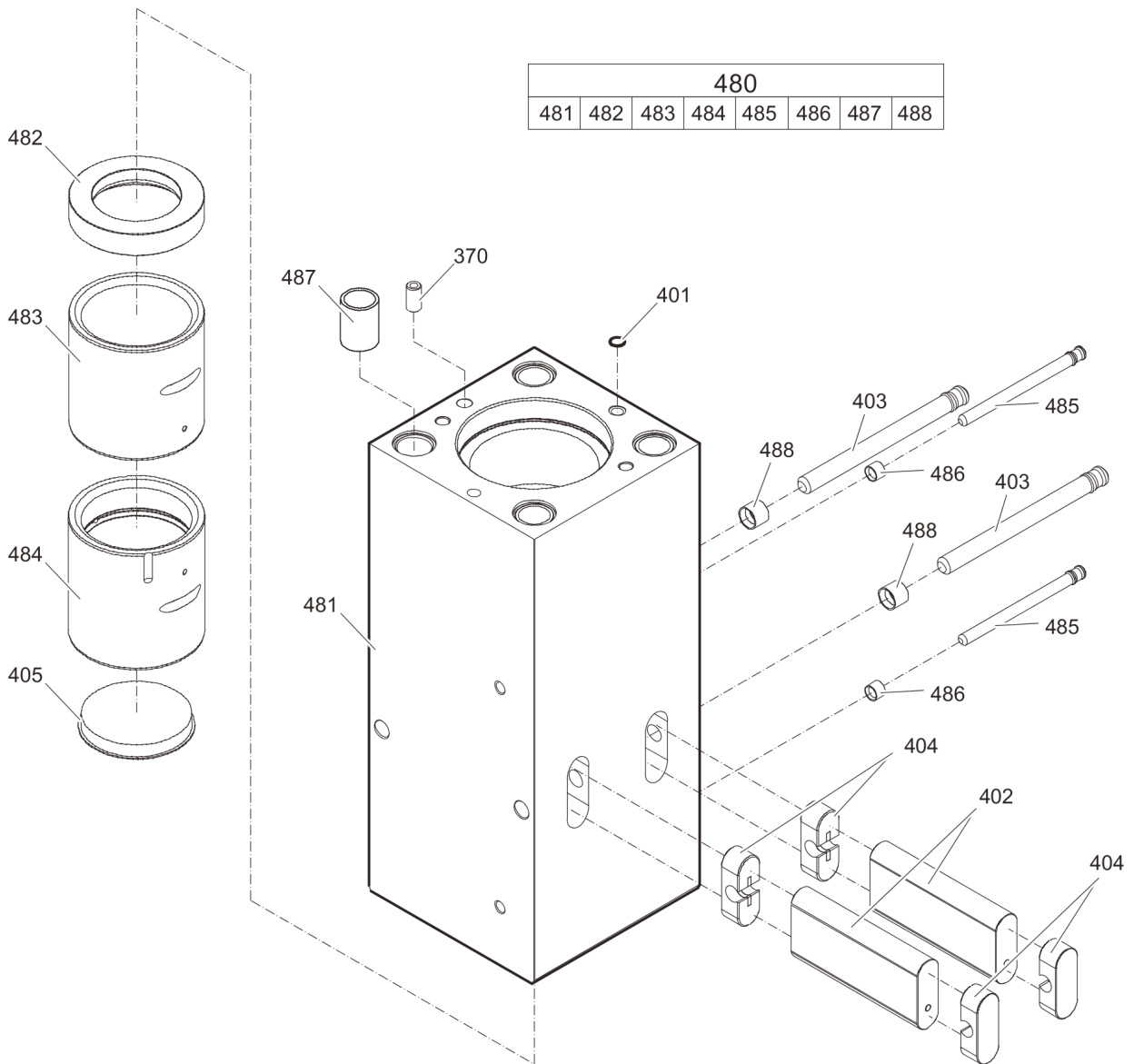
Comments for Page: Percussion unit part 2: cylinder

(L)OCAL REMARKS

A | with items 601 - 603

B | StartSelect

Mechanical Percussion unit part 3: lower breaker part (steel)



Refer to Parts Online for the most up to date information. The printed information might be outdated.

Wed Jul 08 02:17:21 MDT 2015

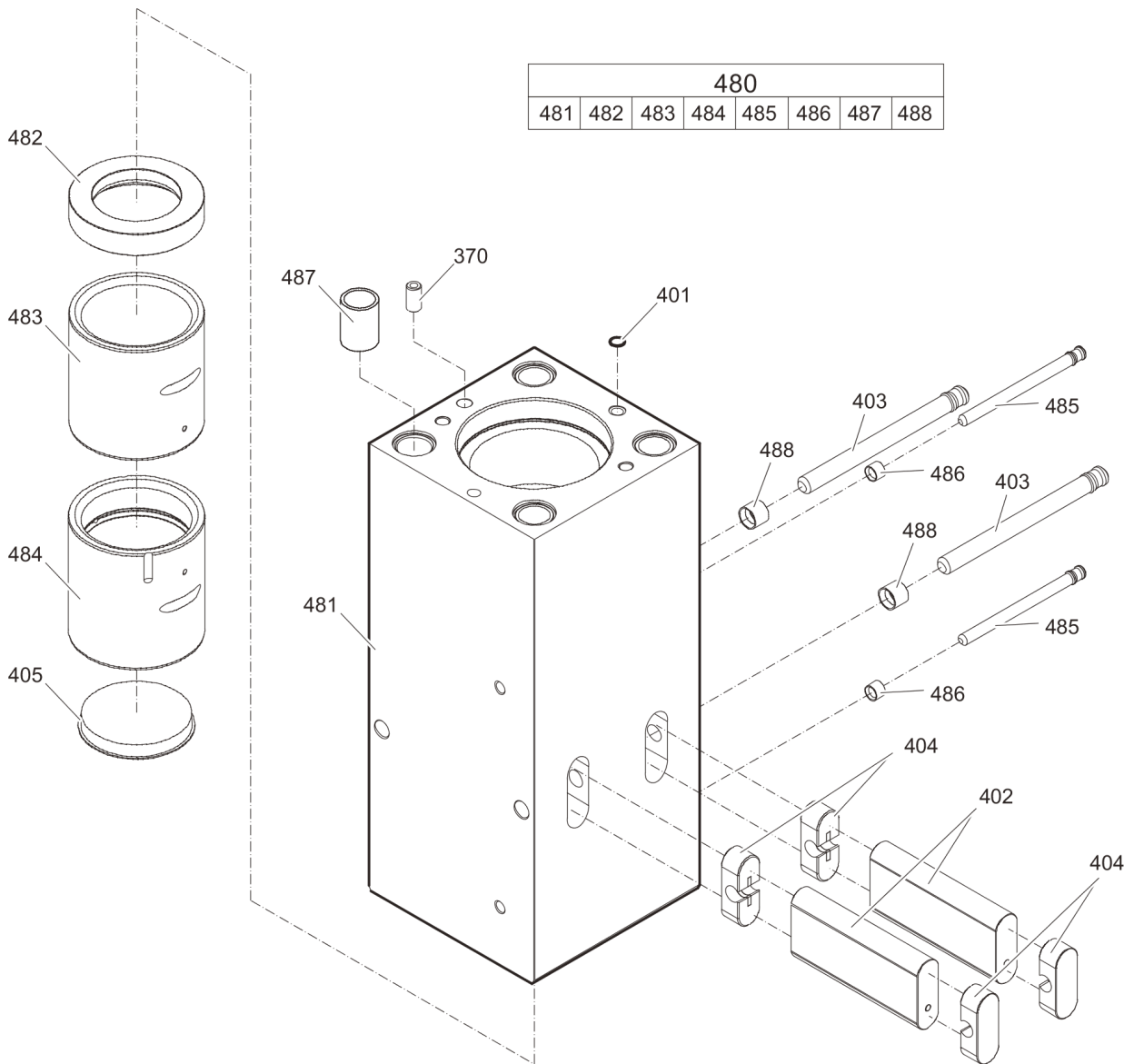
Item	Part No.	Name	Qty	L
370	3360921413	Lock pin	1	
401	3362267586	Seal	1	
402	3361331529	Retainer bar	2	
403	3362261540	Bolt	2	
404	3362262921	Plug	4	
405	3361329794	Protective cap	1	
480(481-488)	3363089480	Lower breaker part complete with lower wear bush steel	1	A
481		Lower breaker part	1	
482	3363069083	Impact ring	1	
483	3363069137	Wear bush	1	
484	3363088653	Wear bush (steel)	1	
485	3361854347	Bolt	2	
486	3361854363	Locking bush	2	
487	3363085321	Threaded insert	4	
488	3362260433	Locking bush	2	

Comments for Page: Percussion unit part 3: lower breaker part (steel)

(L)OCAL REMARKS

A | Note: When ordering a lower breaker part for DustProtector version it is imperative to order additionally the base for wiper (item 18) and the wiper (item 19).

Mechanical Percussion unit part 3: lower breaker part (bronze)



480							
481	482	483	484	485	486	487	488

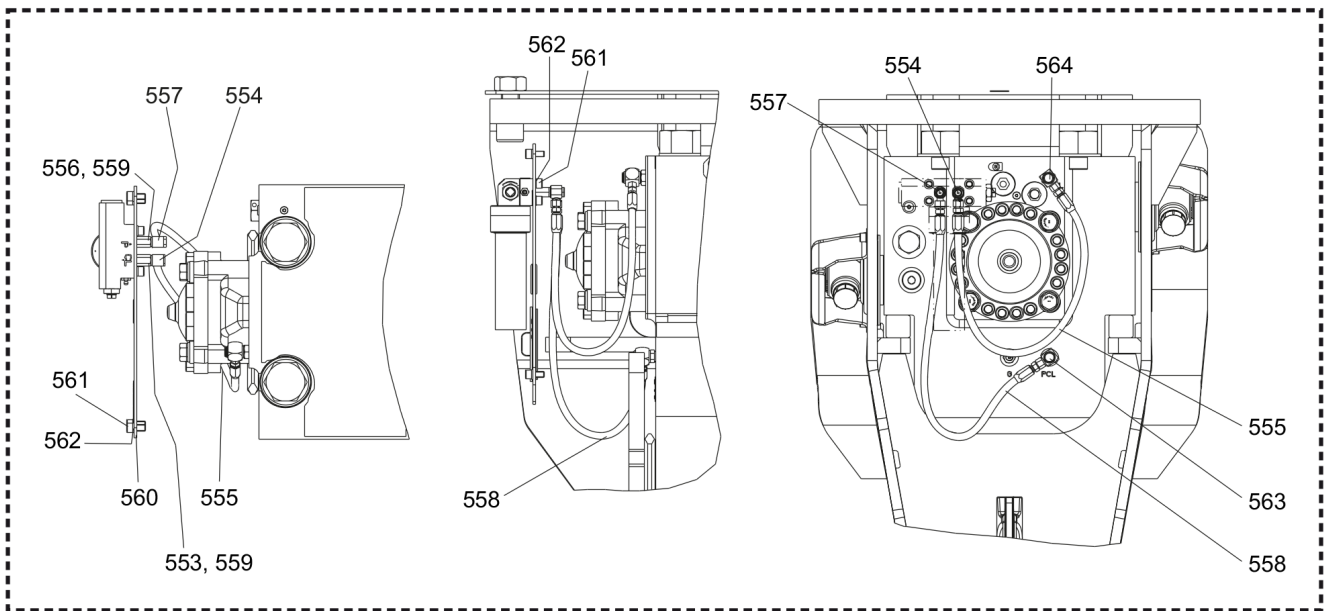
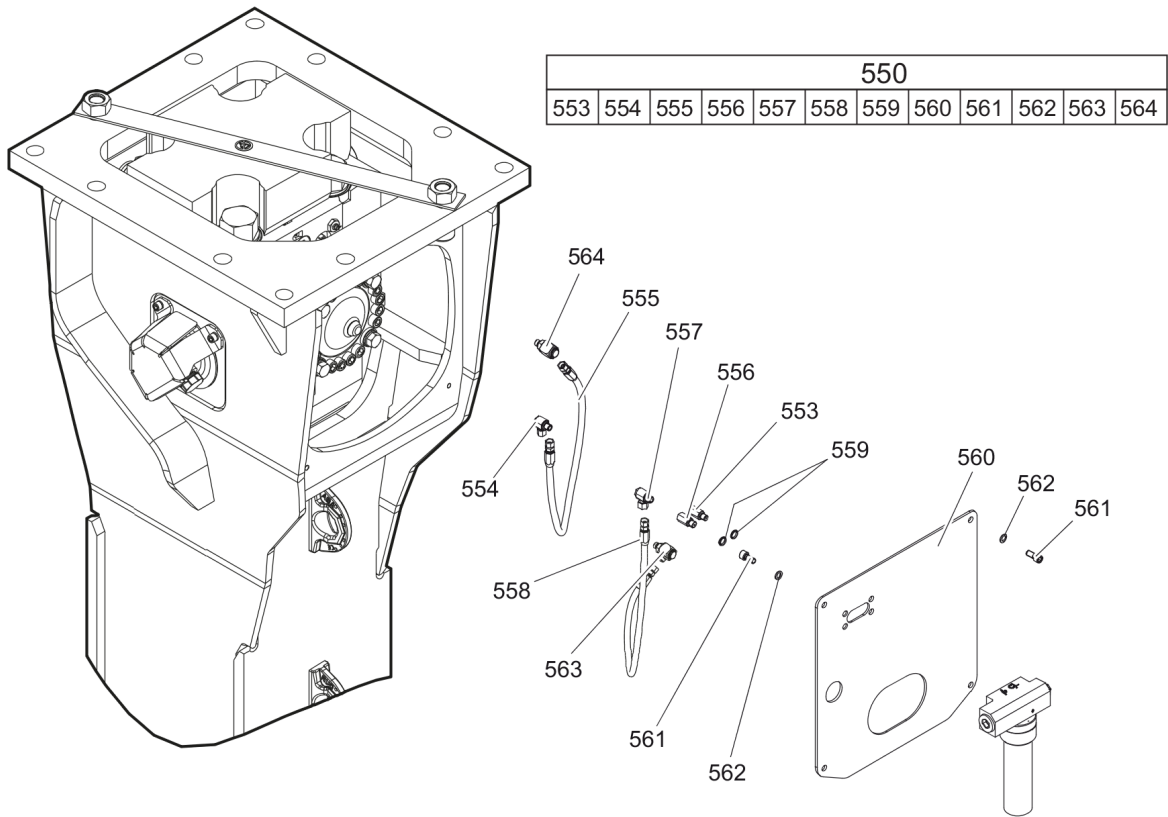
Item	Part No.	Name	Qty	L
370	3360921413	Lock pin	1	
401	3362267586	Seal	1	
402	3361331529	Retainer bar	2	
403	3362261540	Bolt	2	
404	3362262921	Plug	4	
405	3361329794	Protective cap	1	
480(481-488)	3363116920	Lower breaker part complete with lower wear bush bronze	1	A
481		Lower breaker part	1	
482	3363069083	Impact ring	1	
483	3363069137	Wear bush	1	
484	3363088511	Wear bush (bronze)	1	
485	3361854347	Bolt	2	
486	3361854363	Locking bush	2	
487	3363085321	Threaded insert	4	
488	3362260433	Locking bush	2	

Comments for Page: Percussion unit part 3: lower breaker part (bronze)

(L)OCAL REMARKS

A | Note: When ordering a lower breaker part for DustProtector version it is imperative to order additionally the base for wiper (item 18) and the wiper (item 19).

Mechanical Connecting kit for automatic lubrication system



Refer to Parts Online for the most up to date information. The printed information might be outdated.

Wed Jul 08 02:17:23 MDT 2015

Item	Part No.	Name	Qty	L
550(553-564)	3363112533	Connecting kit for automatic lubrication system	1	
553	3363066887	Adapter	1	A
554	3363066233	Fitting	1	A
555	3363083873	Hydraulic hose	1	B
556	3363068745	Adapter	1	A
557	3363066234	Fitting	1	A
558	3363083877	Hydraulic hose	1	C
559	3363066951	Seal	2	
560	3363112828	Support	1	
561	3360103750	Allen screw	8	D
562	3361850596	Pair of lock washers	8	
563	3363087185	Fitting	1	A
564	3363087186	Fitting	1	A

Comments for Page: Connecting kit for automatic lubrication system

(L)OCAL REMARKS

A | secure with Loctite 243

B | Grease line

secure with Loctite 243

Route the hydraulic hoses as shown on the drawing. It must be ensured that the hydraulic hoses can move freely and are not in contact at any point.

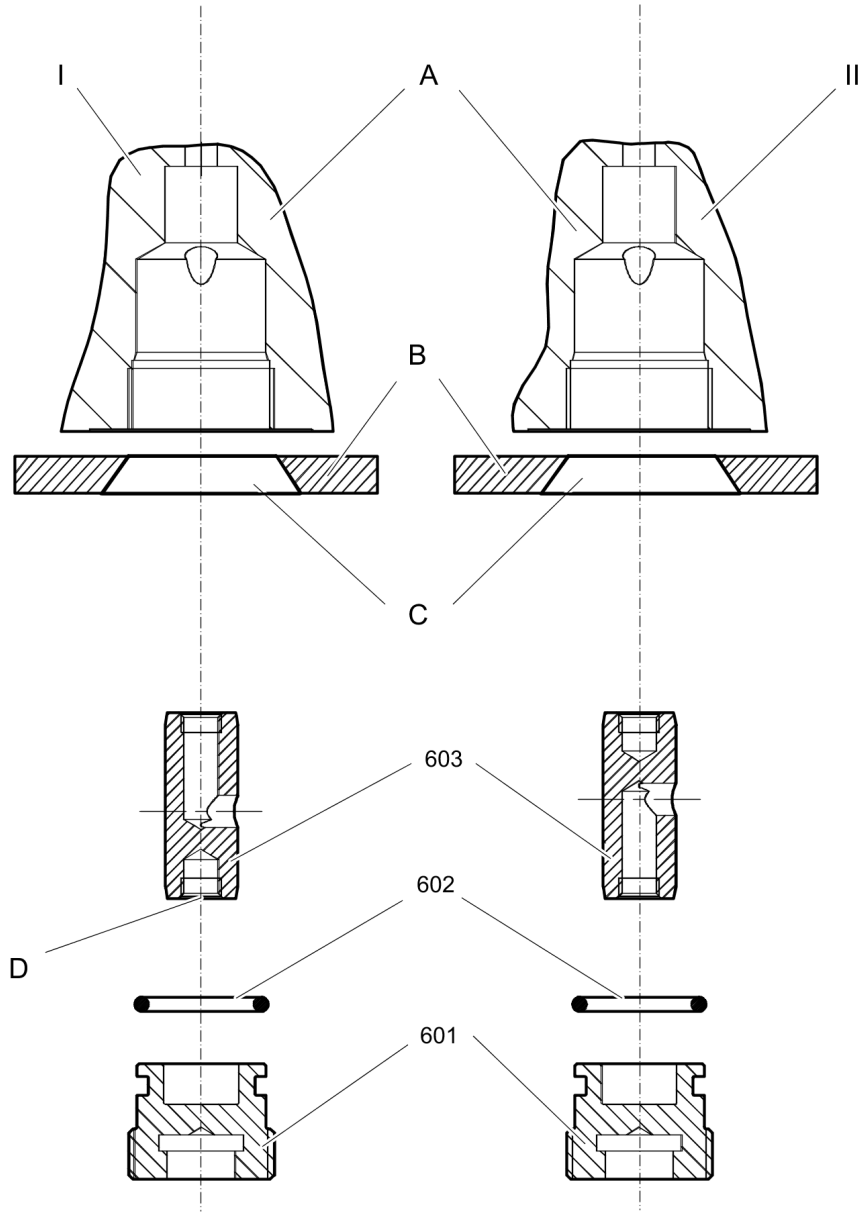
C | Oil line

secure with Loctite 243

Route the hydraulic hoses as shown on the drawing. It must be ensured that the hydraulic hoses can move freely and are not in contact at any point.

D | secure all 4 Allen screws screwed in the ContiLube® II with Loctite 243

Mechanical StartSelect - AutoStart or AutoStop



Refer to Parts Online for the most up to date information. The printed information might be outdated.

Wed Jul 08 02:17:24 MDT 2015

Item	Part No.	Name	Qty	L
601	3363082593	Plug	1	
602	3363083245	O-ring	1	
603	3363082505	Valve	1	A

Comments for Page: StartSelect - AutoStart or AutoStop

I = AutoStop setting

II = AutoStart setting (standard setting on delivery)

- A. Port bore in cylinder
- B. Wall of breaker box
- C. Plug of breaker box
- D. M 10 thread (both ends) for mounting

The position of the StartSelect unit is shown on the percussion unit illustrations.

(L)OCAL REMARKS

A | StartSelect

Mechanical Optional parts

NO EXPLODED VIEW
AVAILABLE
FOR THIS BOM

Item	Part No.	Name	Qty	L
484	3363088511	Wear bush (bronze)	1	
484	3363088653	Wear bush (steel)	1	

Mechanical Tightening torque

NO EXPLODED VIEW
AVAILABLE
FOR THIS BOM

Item	Part No.	Name	Qty	L
22	-	Allen screw - 240 Nm	-	A
24	-	Nut - 240 Nm	-	B
33	-	Allen screw - 200 Nm	-	C
39	-	Allen screw - 85 Nm	-	D
104	-	Allen screw - 380 Nm	-	E
107	-	Threaded plug - 300 Nm	-	F
110	-	Threaded plug - 300 Nm	-	G
114	-	Connection screw - 200 Nm	-	H
130	-	Non-return valve - 200 Nm	-	I
139	-	Allen screw - 80 Nm	-	D
161	-	Fastening screw -	-	J
181	-	Filling valve - 130 Nm	-	K
182	-	Threaded plug - 20 Nm	-	L
191	-	Tensioning bolt -	-	M
553	-	Adapter - 45 Nm	-	N
554	-	Fitting - 45 Nm	-	O
555	-	Hydraulic hose - 16 Nm	-	P
556	-	Adapter - 55 Nm	-	N
557	-	Fitting - 55 Nm	-	Q
558	-	Hydraulic hose - 42 Nm	-	N
561	-	Allen screw - 85 Nm	-	D
563	-	Fitting - 60 Nm	-	R
564	-	Fitting - 50 Nm	-	S
601	-	Plug - 200 Nm	-	E

Comments for Page: Tightening torque

(L)OCAL REMARKS

A | Allen key size 27

B | Socket spanner size 55

C | Allen key size 14

D | Allen key size 10

E | Allen key size 17

F | Allen key size 22

G | Allen key size 24

H | Socket spanner size 27

I | Socket spanner size 41

J | Socket spanner size 30

1. Treat the threads and threaded inserts for the fastening screws with an Anti-Seize agent.
2. Treat the surfaces between the fastening screw head, washer, and HP-accumulator cover with Anti-Seize.
3. Place on the HP-accumulator, and tighten the fastening screws by hand in a crosswise fashion.
4. Pretighten the fastening screws to 80 Nm, proceeding in a crosswise fashion,
5. then tighten each fastening screw through 30° in a crosswise fashion,
6. finally tighten each fastening screw again through 60° in a crosswise fashion.

K | Socket spanner size 22

L | Allen key size 5

M | Torque wrench or Power wrench size 75

1. Pretighten the tensioning bolts to 500 Nm, proceeding in a crosswise fashion,
2. then tighten each tensioning bolt through 120° (2 sides of hexagonal head) in a crosswise fashion,
3. finally tighten each tensioning bolt again through 180° (3 sides of hexagonal head) in a crosswise fashion.

N | Open-ended wrench size 19

O | Open-ended wrench size 17, 19, 22

P | Open-ended wrench size 17

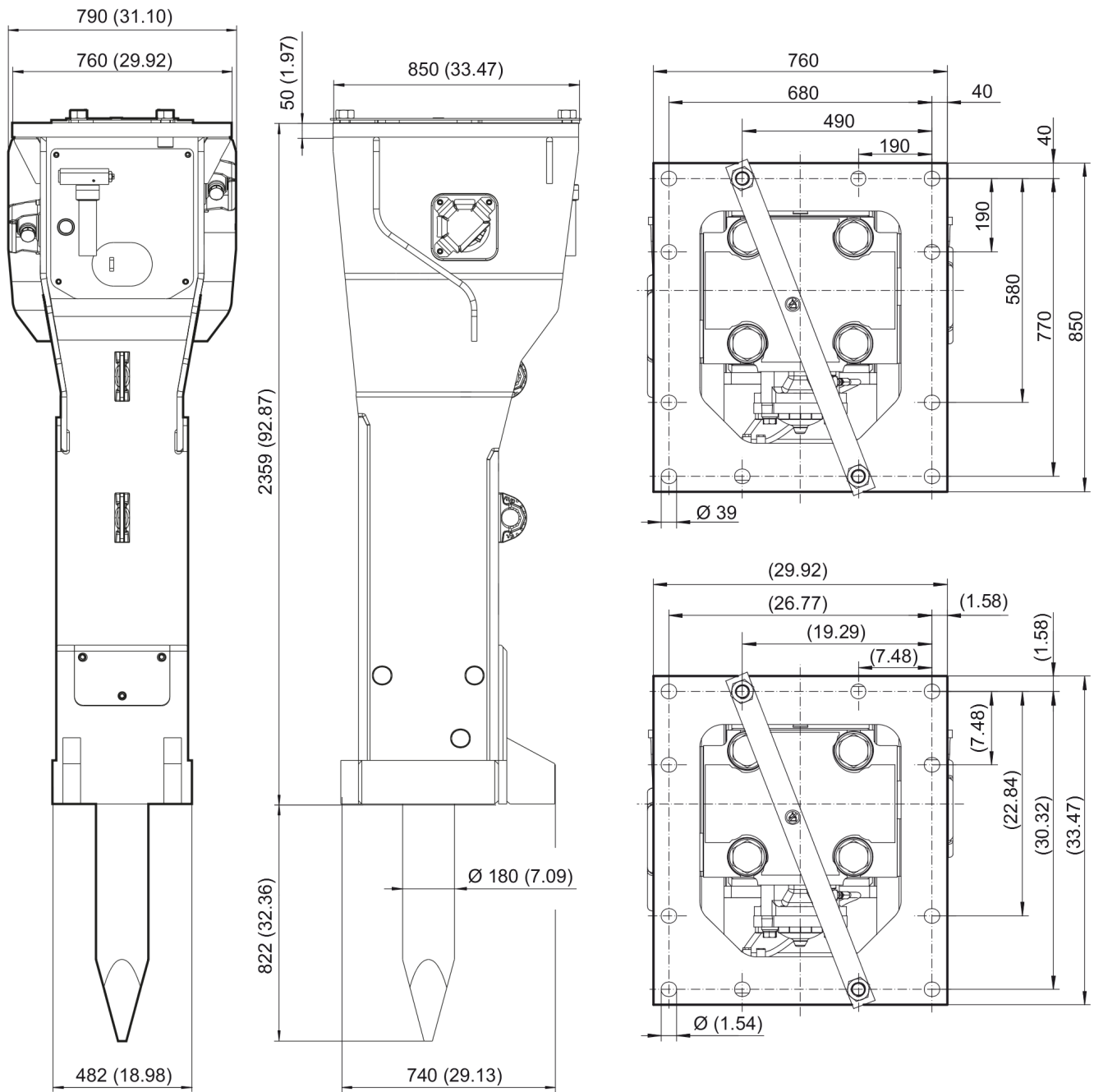
Q | Open-ended wrench size 19, 19, 22

R | Open-ended wrench size 19, 22, 27

S | Open-ended wrench size 17, 22, 27

Mechanical Dimensions

This page intentionally left blank



Refer to Parts Online for the most up to date information. The printed information might be outdated.

Wed Jul 08 02:17:26 MDT 2015

Options / accessories Hydraulic hoses

This page intentionally left blank

NO EXPLODED VIEW
AVAILABLE
FOR THIS BOM

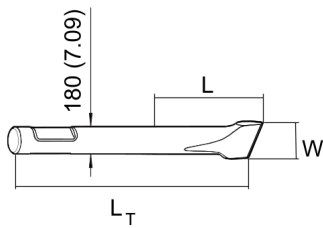
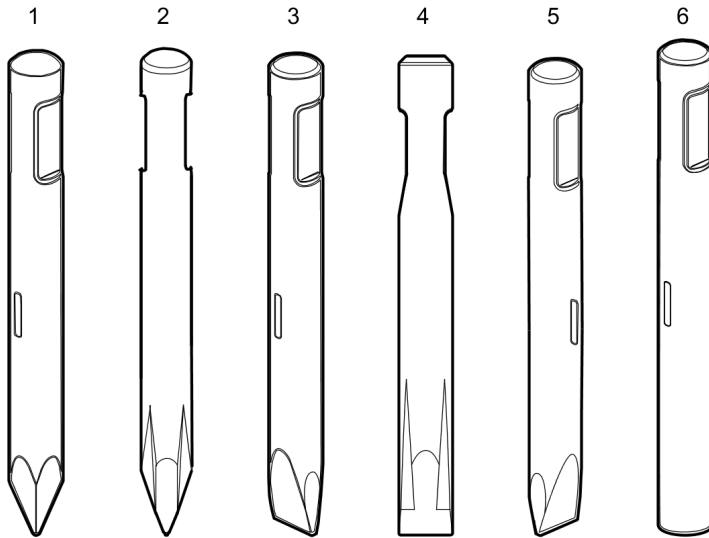
Item	Part No.	Name	Qty	L
-	3361853860	Hydraulic hose, I.D. 32 (1 1/4"), both ends JIC 1 5/8", length 2800 mm (110 in.)	2	
-	3361853861	Hydraulic hose, I.D. 32 (1 1/4"), both ends JIC 1 5/8", length 3500 mm (138 in.)	2	

Options / accessories Optional equipment

NO EXPLODED VIEW
AVAILABLE
FOR THIS BOM

Item	Part No.	Name	Qty	L
-	3363091200	Chisel paste cartridge, 12 x 500 g (1.1 lbs)	1	
-	3363034567	Grease gun for 500 g cartridge	1	
-	3360433774	Grease nipple	1	
-	3363089845	Service box no. II with nitrogen cylinder, 5 l, 1.1 gal (1.32 US gal)	1	
-	3363094940	Service box without nitrogen cylinder	1	
-	3361852175	Test gauge lower wear bush	1	
-	3363094952	Inside callipers upper wear bush	1	
Not Shown	-	Adapter plate matching the carrier - Consult the Atlas Copco Customer Center/Dealer in your area.	1	
-	3363104727	Base plate with threaded inserts	1	
-	3363087304	Bolt kit	1	
-	3363104725	Base plate with through borings	1	
-	3363094576	Bolt kit	1	
-	3360478949	Allen key (27 mm)	1	
-	3363090531	Adapter kit for underwater applications	1	
-	3363092987	Piston retainer	1	

Options / accessories Working tools ClassicLine



Item	Part No.	Name	Qty	L
1	3363087153	Moil point		A
1	3363082259	Moil point		B
2	3363113425	Moil point (X-profile)		C
3	3363085979	Chisel (cross)		D
3	3363082261	Chisel (cross)		E
4	3363113426	Chisel (X-profile)		F
5	3363094258	Chisel (parallel)		G
5	3363094259	Chisel (parallel)		H
6	3363087261	Blunt tool		I
6	3363082263	Blunt tool		J

Comments for Page: Working tools ClassicLine

(L)OCAL REMARKS

A | L= 620 mm, LT=1400 mm, Wt=240.0 kg
L=24.41 inch, LT=55.12 inch, Wt=529.1 lb

B | L= 820 mm, LT=1600 mm, Wt=280.0 kg
L=32.28 inch, LT=62.99 inch, Wt=617.3 lb

C | L= 820 mm, LT=1600 mm, Wt=280.0 kg
L=32.28 inch, LT=62.99 inch, Wt=617.3 lb

D | W=180 mm, L= 620 mm, LT=1400 mm, Wt=250.0 kg
W=7.09 inch, L=24.41 inch, LT=55.12 inch, Wt=551.1 lb

E | W=180 mm, L= 820 mm, LT=1600 mm, Wt=290.0 kg
W=7.09 inch, L=32.28 inch, LT=62.99 inch, Wt=639.3 lb

F | W=180 mm, L= 820 mm, LT=1600 mm, Wt=290.0 kg
W=7.09 inch, L=32.28 inch, LT=62.99 inch, Wt=639.3 lb

G | W=180 mm, L= 620 mm, LT=1400 mm, Wt=250.0 kg
W=7.09 inch, L=24.41 inch, LT=55.12 inch, Wt=551.1 lb

H | W=180 mm, L= 820 mm, LT=1600 mm, Wt=290.0 kg
W=7.09 inch, L=32.28 inch, LT=62.99 inch, Wt=639.3 lb

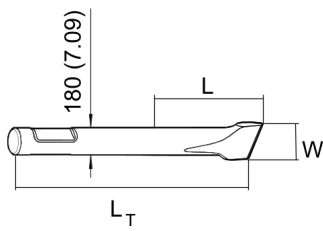
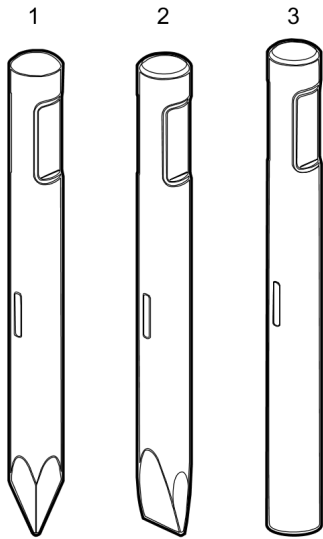
I | L= 620 mm, LT=1400 mm, Wt=269.0 kg
L=24.41 inch, LT=55.12 inch, Wt=593.0 lb

J | L= 820 mm, LT=1600 mm, Wt=309.0 kg

L=32.28 inch, LT=62.99 inch, Wt=681.2 lb

Options / accessories Working tools SilverLine

This page intentionally left blank



Item	Part No.	Name	Qty	L
1	3363094453	Moil point		A
2	3363094454	Chisel (cross)		B
3	3363094455	Blunt tool		C

Comments for Page: Working tools SilverLine

(L)OCAL REMARKS

A | L= 820 mm, LT=1600 mm, Wt=280.0 kg

L=32.28 inch, LT=62.99 inch, Wt=617.3 lb

B | W=180 mm, L= 820 mm, LT=1600 mm, Wt=290.0 kg

W=7.09 inch, L=32.28 inch, LT=62.99 inch, Wt=639.3 lb

C | L= 820 mm, LT=1600 mm, Wt=309.0 kg

L=32.28 inch, LT=62.99 inch, Wt=681.2 lb

Any unauthorized use or copying of the contents or any part thereof is prohibited.
This applies in particular to trademarks, model denominations, part numbers, and drawings.

